



US00D924183S

(12) **United States Design Patent**  
**Dibartolo**

(10) **Patent No.:** **US D924,183 S**

(45) **Date of Patent:** **\*\* Jul. 6, 2021**

- (54) **LIGHT SWITCH**
- (71) Applicant: **Frank Walter Dibartolo**, North Haledon, NJ (US)
- (72) Inventor: **Frank Walter Dibartolo**, North Haledon, NJ (US)
- (\*\*) Term: **15 Years**
- (21) Appl. No.: **29/690,280**
- (22) Filed: **May 7, 2019**
- (51) **LOC (13) Cl.** ..... **13-03**
- (52) **U.S. Cl.**  
USPC ..... **D13/169**
- (58) **Field of Classification Search**  
USPC ..... D13/158, 162, 169, 174; D26/26  
CPC ..... H01H 9/18; H01H 9/182; H01H 23/02;  
H01H 23/025; H01H 23/14; H01H 23/143;  
H01H 23/145; H01H 23/148;  
H01H 23/205; H01H 9/16; H01H 19/635;  
H02G 3/14  
See application file for complete search history.

- 5,895,888 A \* 4/1999 Arenas ..... H02G 3/14  
174/66
- 6,657,144 B2 \* 12/2003 Savicki, Jr. .... H01H 23/04  
174/53
- D505,119 S \* 5/2005 Barone ..... D13/169
- D515,959 S \* 2/2006 Nelson ..... D10/114.1
- D534,875 S \* 1/2007 Wu ..... D13/169
- D576,961 S \* 9/2008 Kidman ..... D13/169
- D576,962 S \* 9/2008 Kidman ..... D13/169
- D583,335 S \* 12/2008 Ni ..... D13/169
- 7,586,718 B1 \* 9/2009 Radosavljevic ..... H01H 71/04  
361/42
- D603,984 S \* 11/2009 Richter ..... D13/177
- 7,667,155 B1 \* 2/2010 Ni ..... H01H 23/205  
200/556
- D634,276 S \* 3/2011 Chou ..... D13/162
- D656,102 S \* 3/2012 Chou ..... D13/162
- 8,393,747 B2 \* 3/2013 Kevelos ..... H01H 13/83  
362/95

(Continued)

*Primary Examiner* — Selina Sikder

(74) *Attorney, Agent, or Firm* — Scott H. Kaliko, Esq.;  
Kaliko & Associates, LLC

(57) **CLAIM**

I claim light switch, as shown and described.

(56) **References Cited**

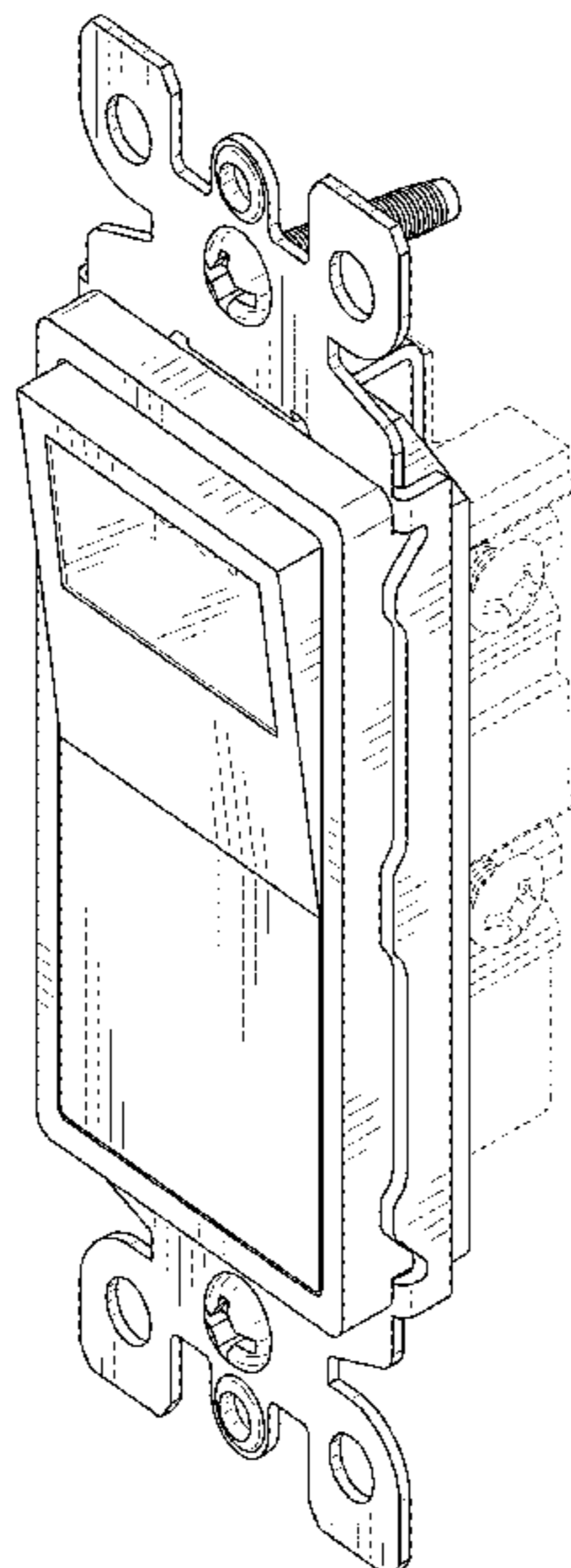
U.S. PATENT DOCUMENTS

- 3,588,489 A \* 6/1971 Gaines ..... H01R 13/717  
362/95
- 3,895,225 A \* 7/1975 Prior ..... F21S 8/00  
362/95
- 4,546,419 A \* 10/1985 Johnson ..... F21S 8/02  
200/310
- 4,669,804 A \* 6/1987 Munroe ..... H02G 3/18  
439/398
- 5,544,025 A \* 8/1996 Bohlool ..... F21S 8/035  
362/249.01
- 5,696,350 A \* 12/1997 Anker ..... H02G 3/14  
174/66
- 5,816,682 A \* 10/1998 Marischen ..... F21S 8/035  
362/84

**DESCRIPTION**

FIG. 1 is a perspective view of a light switch showing my new design;  
 FIG. 2 is a front view thereof;  
 FIG. 3 is a back view thereof;  
 FIG. 4 is a side view thereof;  
 FIG. 5 is a side view thereof;  
 FIG. 6 is a top view thereof;  
 FIG. 7 is a bottom view thereof; and,  
 FIG. 8 is an exploded perspective view showing portions of the design not visible in the other views thereof.  
 The broken lines in the drawings depict portions of the light switch that form no part of the claimed design.

**1 Claim, 6 Drawing Sheets**



(56)

**References Cited**

U.S. PATENT DOCUMENTS

8,724,331 B2 \* 5/2014 Chu ..... H02G 3/14  
361/728  
8,853,893 B2 \* 10/2014 Savicki, Jr. .... H01H 9/52  
307/140  
10,141,144 B2 \* 11/2018 Zhuang ..... H02K 11/33  
D840,952 S \* 2/2019 Mortun ..... D13/162  
2011/0141647 A1 \* 6/2011 Garcia ..... H01H 23/145  
361/166  
2020/0126739 A1 \* 4/2020 Shan ..... H01H 23/04

\* cited by examiner

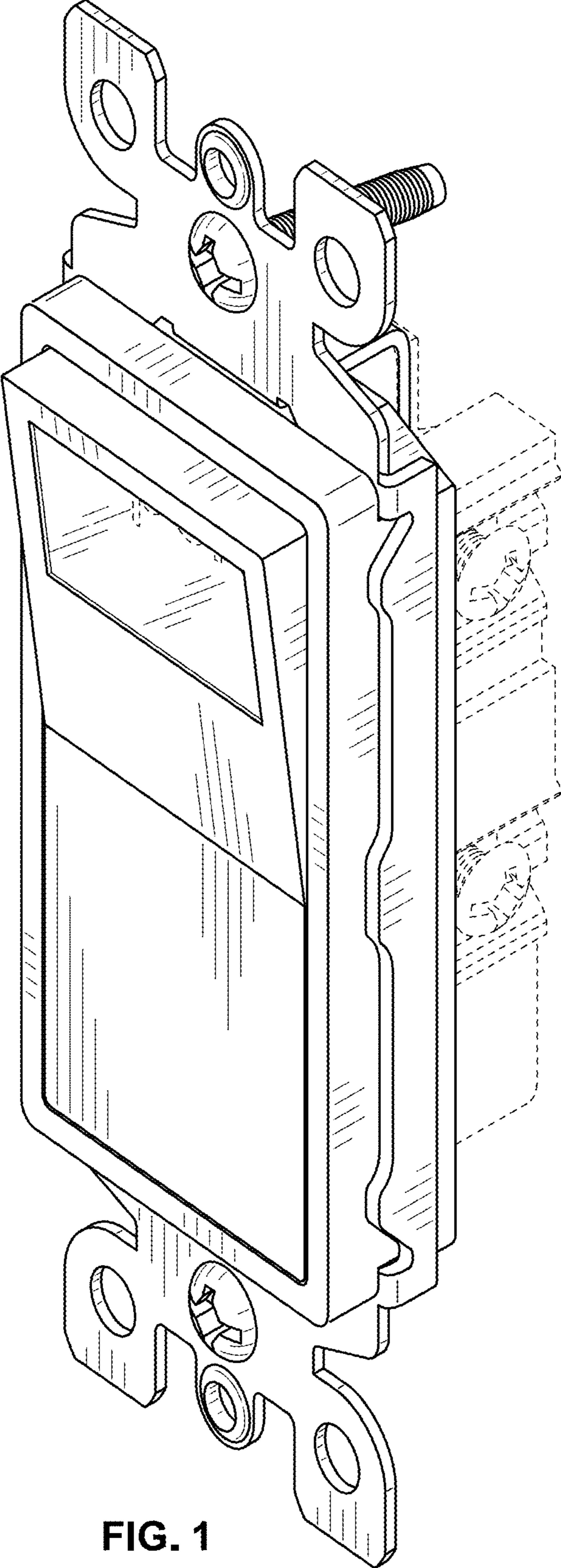


FIG. 1

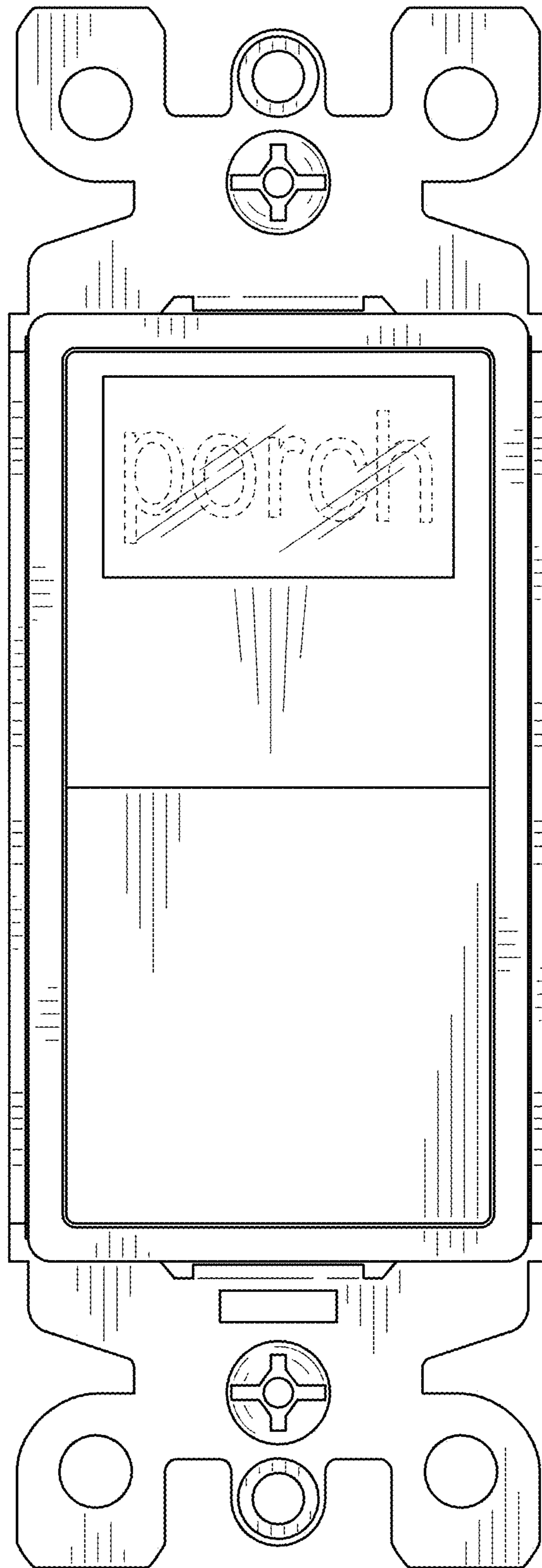


FIG. 2

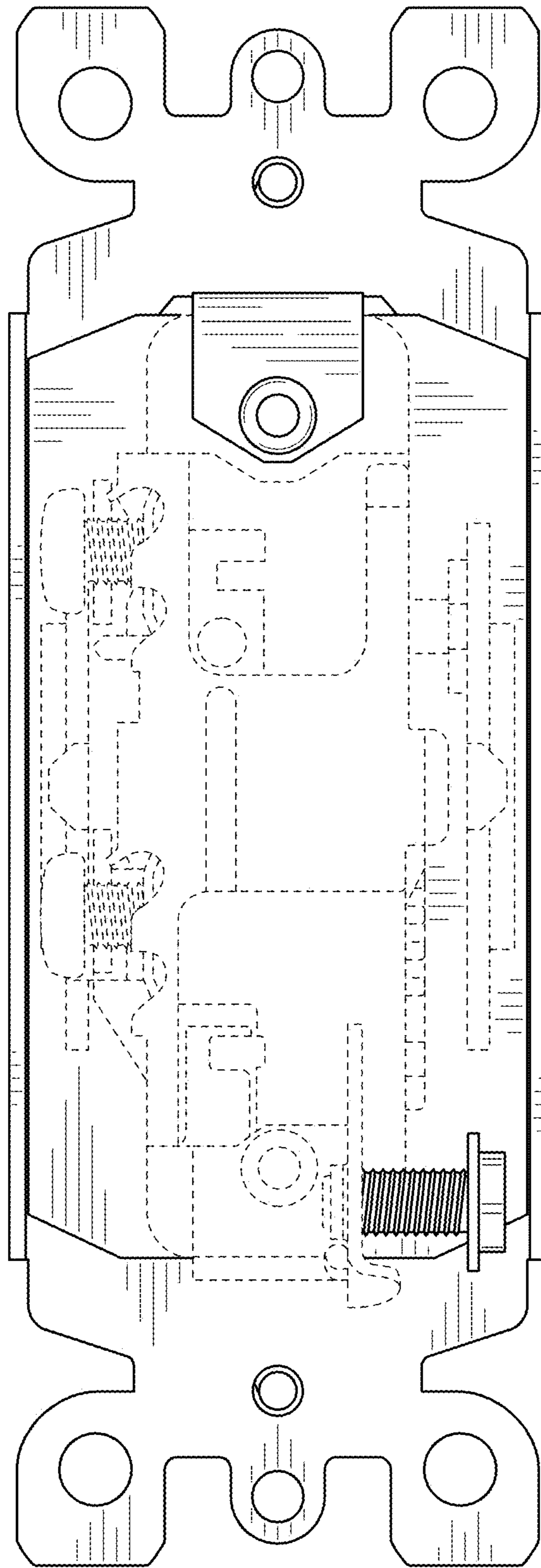


FIG. 3

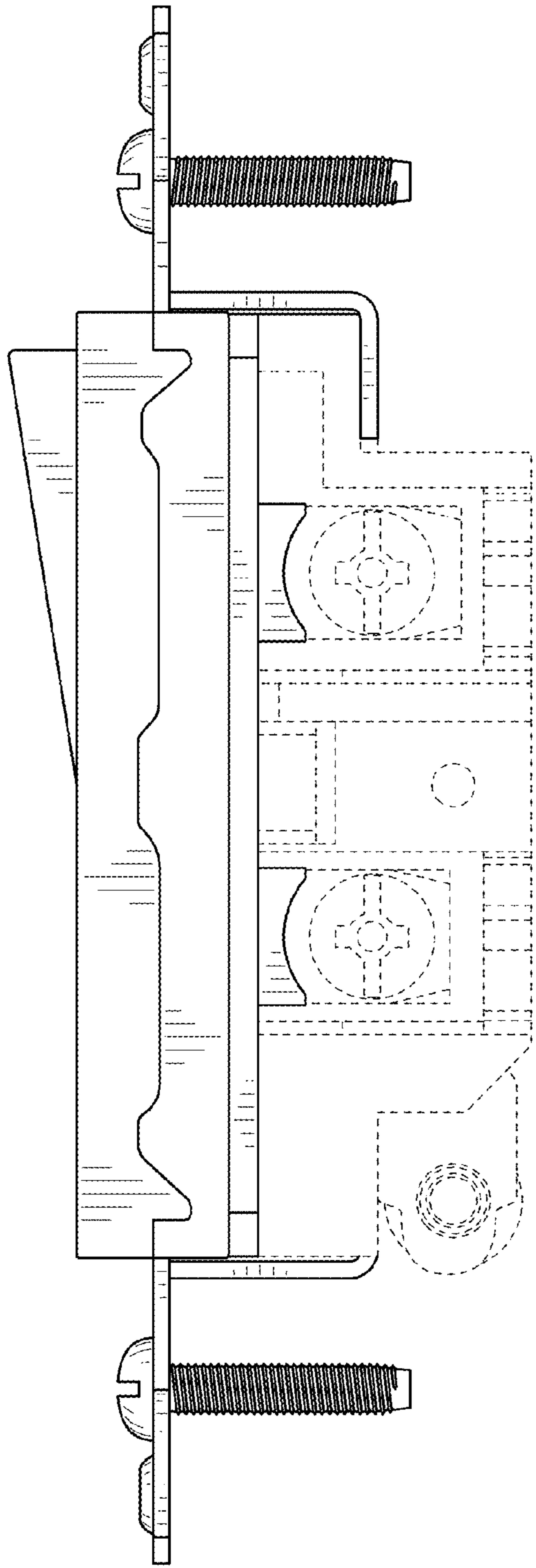


FIG. 4

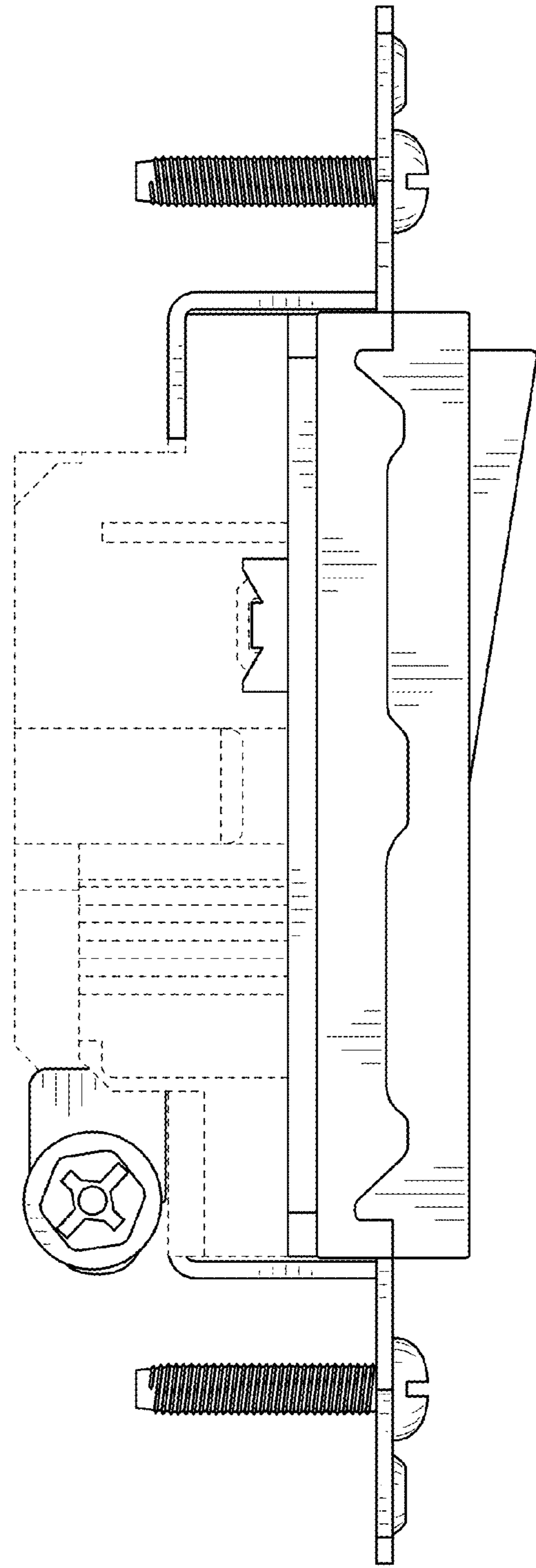


FIG. 5

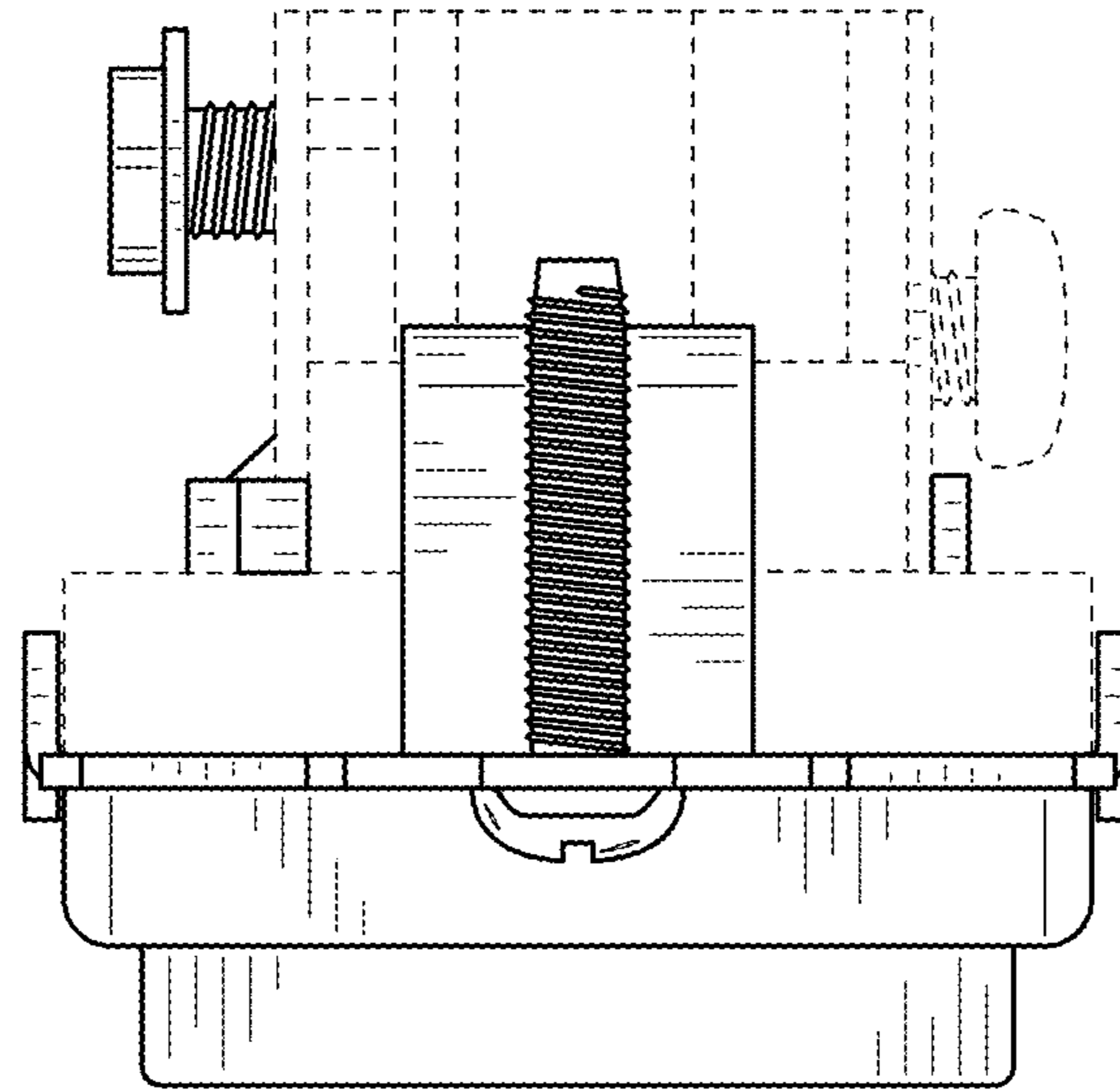


FIG. 6

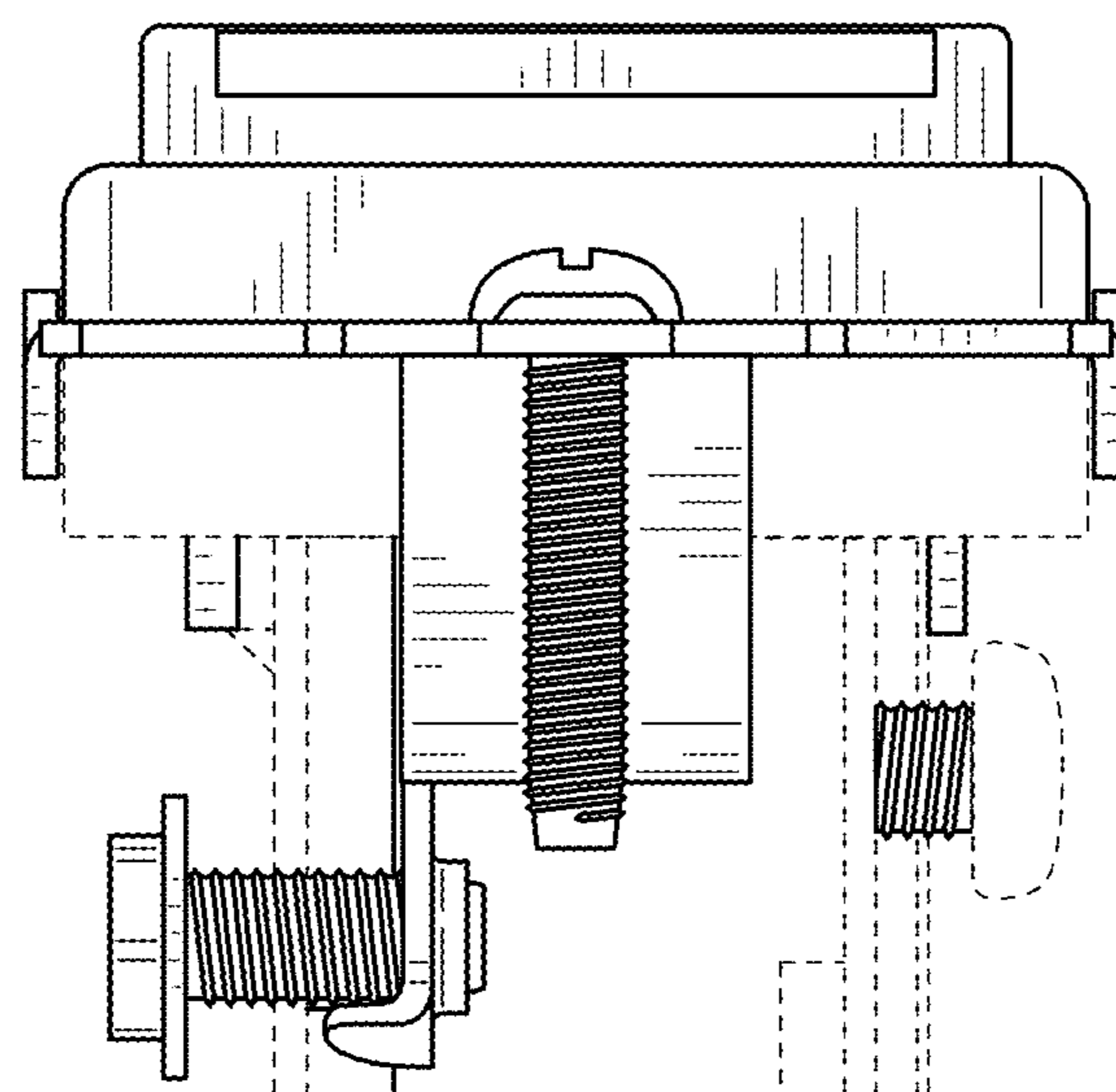


FIG. 7

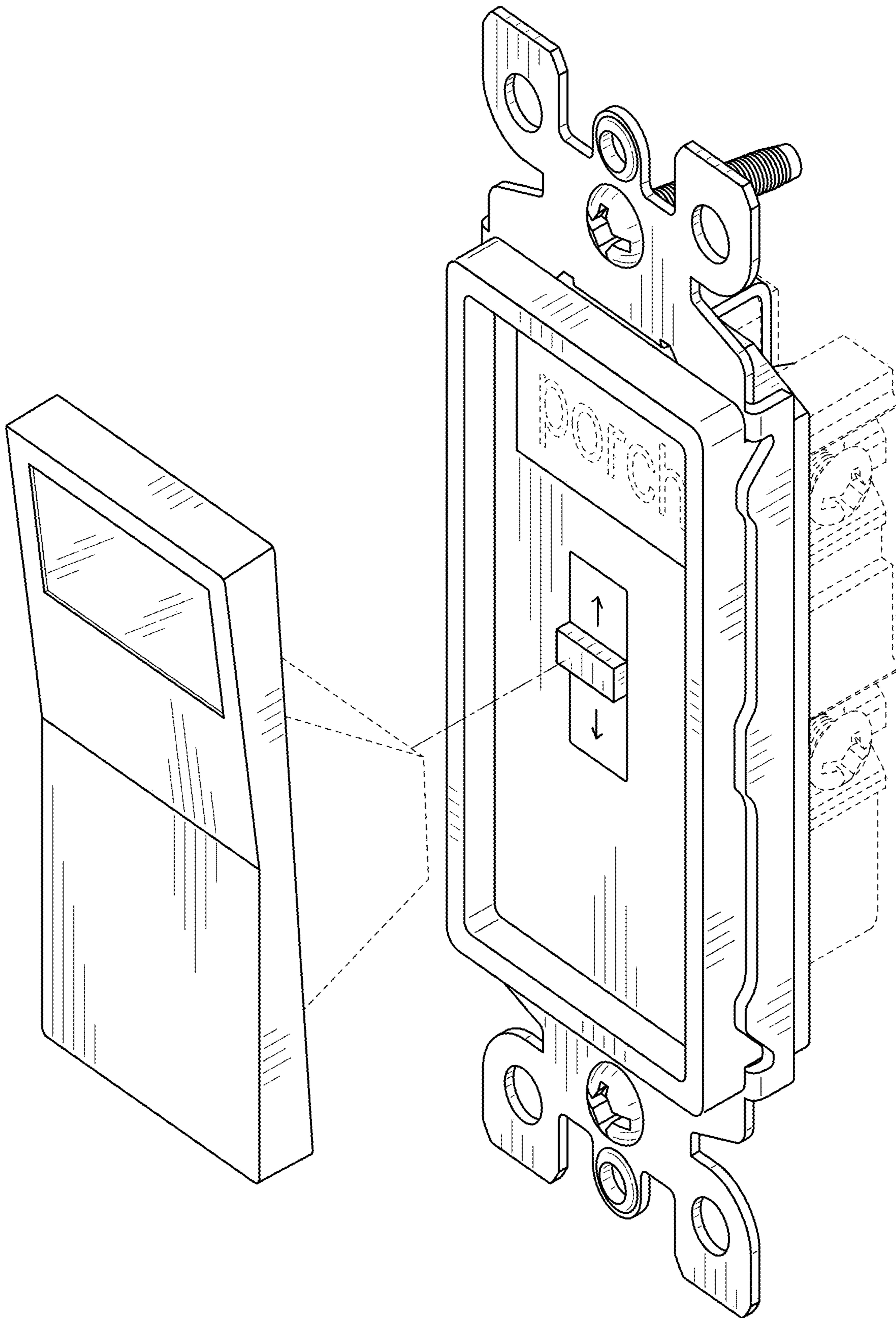


FIG. 8