



US00D924181S

(12) **United States Design Patent** (10) **Patent No.:** **US D924,181 S**
Christopher et al. (45) **Date of Patent:** **** Jul. 6, 2021**

(54) **REMOTE CONTROL**
(71) Applicant: **Johnson & Johnson Surgical Vision, Inc.**, Santa Ana, CA (US)
(72) Inventors: **Stephen Christopher**, Philadelphia, PA (US); **Jacob Childs**, Huntington Beach, CA (US); **Jeremy Links**, Santa Ana, CA (US); **Edith Fung**, Diamond Bar, CA (US); **Linyi Xia**, Irvine, CA (US); **Daniel Gao**, Irvine, CA (US)

5,430,266 A 7/1995 Austin, Jr. et al.
D364,350 S 11/1995 Pasquarette
5,810,770 A 9/1998 Chin et al.
5,858,239 A * 1/1999 Kenley A61M 1/3627
210/646
D421,986 S 3/2000 Foote
6,060,675 A 5/2000 Borg et al.
D460,052 S 7/2002 Olen
D460,053 S * 7/2002 Choi D13/168
D475,026 S * 5/2003 Buczek D13/168
D480,056 S * 9/2003 Arcieri D13/168
D482,664 S * 11/2003 Hunt D13/168
6,689,091 B2 2/2004 Bui et al.
6,872,200 B2 * 3/2005 Mann A61M 5/36
604/890.1
D510,625 S * 10/2005 Widener D24/186
D526,623 S * 8/2006 Yin D13/168
D599,905 S * 9/2009 Matsushita D24/107

(73) Assignee: **Johnson & Johnson Surgical Vision, Inc.**, Santa Ana, CA (US)

(*) Notice: This patent is subject to a terminal disclaimer.

(**) Term: **15 Years**

(21) Appl. No.: **29/709,023**

(22) Filed: **Oct. 10, 2019**

(51) **LOC (13) Cl.** **13-03**

(52) **U.S. Cl.**
USPC **D13/168**

(58) **Field of Classification Search**
USPC D13/168; D24/138, 186
CPC H01H 9/0235; H01H 9/0225; H04B 1/202;
G08C 17/02; G08C 19/00; G08C 19/02;
G08C 19/12; G08C 19/28; G08C 23/04;
H04M 1/6058; A61B 2017/00212; A61M
5/14244; A61M 2209/01
See application file for complete search history.

(56) **References Cited**

U.S. PATENT DOCUMENTS

4,387,718 A 6/1983 Bilitz et al.
D348,435 S 7/1994 Farinelli
D349,677 S 8/1994 Avitan
5,399,823 A 3/1995 McCusker

Primary Examiner — Selina Sikder
(74) *Attorney, Agent, or Firm* — Johnson & Johnson Surgical Vision, Inc.

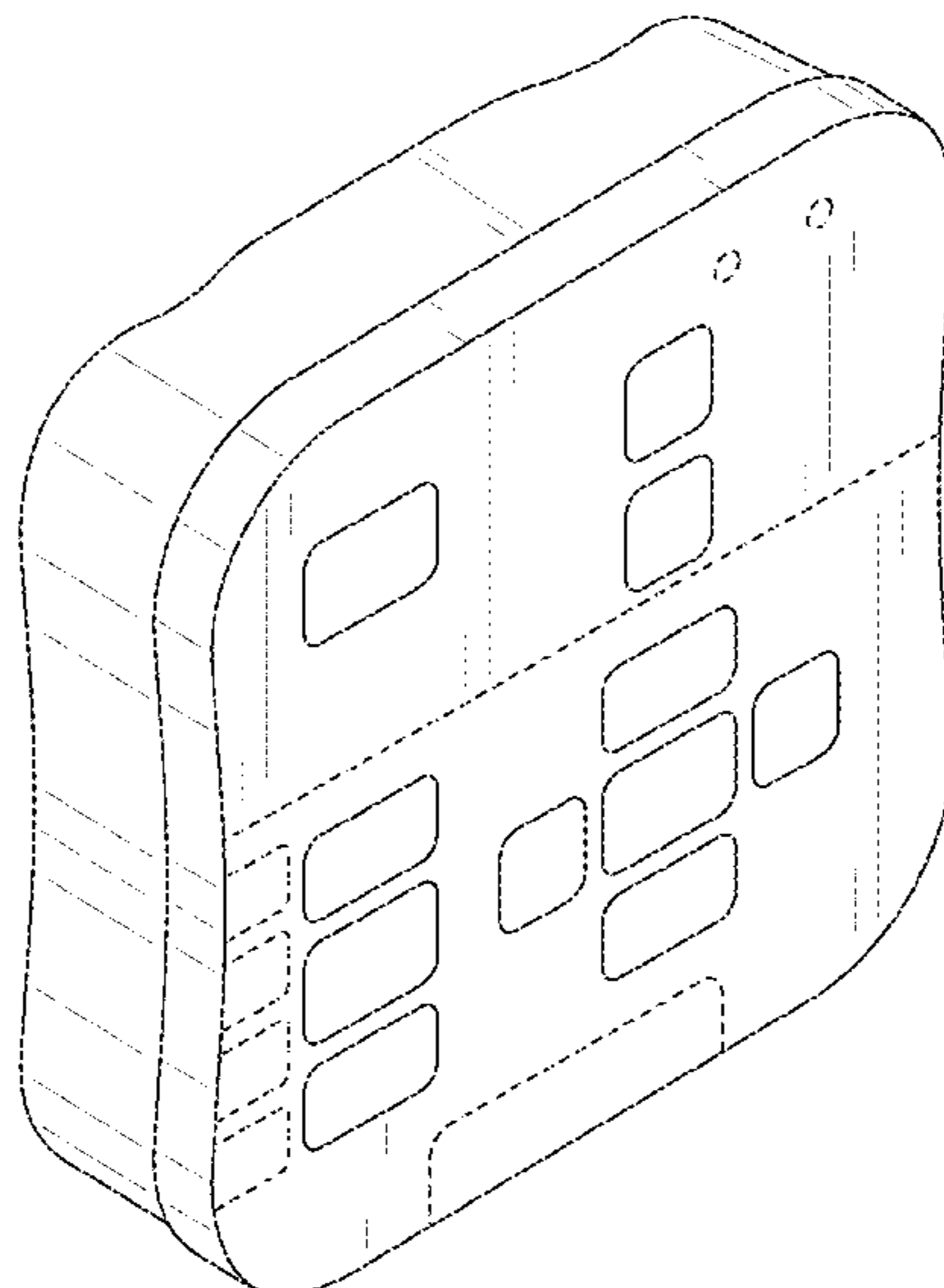
(57) **CLAIM**

We claim the ornamental design for a remote control, substantially as shown and described.

DESCRIPTION

FIG. 1 is a front view of a remote control of the present invention;
FIG. 2 is a back view thereof;
FIG. 3 is a left side elevation view of FIG. 1;
FIG. 4 is a right side elevation view of FIG. 1;
FIG. 5 is a top elevation view of FIG. 1, the bottom elevation view being a mirror image thereof;
FIG. 6 is a front perspective view thereof; and,
FIG. 7 is a back perspective view thereof.
FIGS. 1-7 show features of a remote control with broken lines. These features are for illustrating reference of environmental structure only and do not form any part of the claimed design.

1 Claim, 7 Drawing Sheets



(56)

References Cited

U.S. PATENT DOCUMENTS

D614,145	S	4/2010	Arosio	
D614,587	S *	4/2010	Yodfat	D13/168
D619,724	S *	7/2010	Olsson	D24/186
D633,910	S	3/2011	Cacioppo et al.	
8,029,459	B2 *	10/2011	Rush	A61M 5/14244 604/65
8,128,622	B2	3/2012	Podhajsky et al.	
D680,972	S *	4/2013	Hunter	D13/168
D683,320	S *	5/2013	Strother	D13/168
D721,814	S *	1/2015	Creed	D24/185
D725,606	S *	3/2015	Eastman	D13/168
D767,507	S *	9/2016	Eastman	D13/168
2003/0055406	A1 *	3/2003	Lebel	A61N 1/37276 604/891.1
2005/0137530	A1 *	6/2005	Campbell	G16H 20/17 604/131
2007/0255250	A1 *	11/2007	Moberg	A61M 5/142 604/503
2008/0312585	A1 *	12/2008	Brukalo	H04W 4/21 604/67
2009/0247931	A1 *	10/2009	Damgaard-Sorensen	A61B 5/7445 604/19
2009/0254037	A1 *	10/2009	Bryant, Jr.	A61M 5/16813 604/151
2011/0266999	A1 *	11/2011	Yodfat	A61M 5/14248 320/107
2018/0015218	A1 *	1/2018	Welsch	A61M 5/172
2018/0036473	A1 *	2/2018	Schwab	G08C 17/02

* cited by examiner

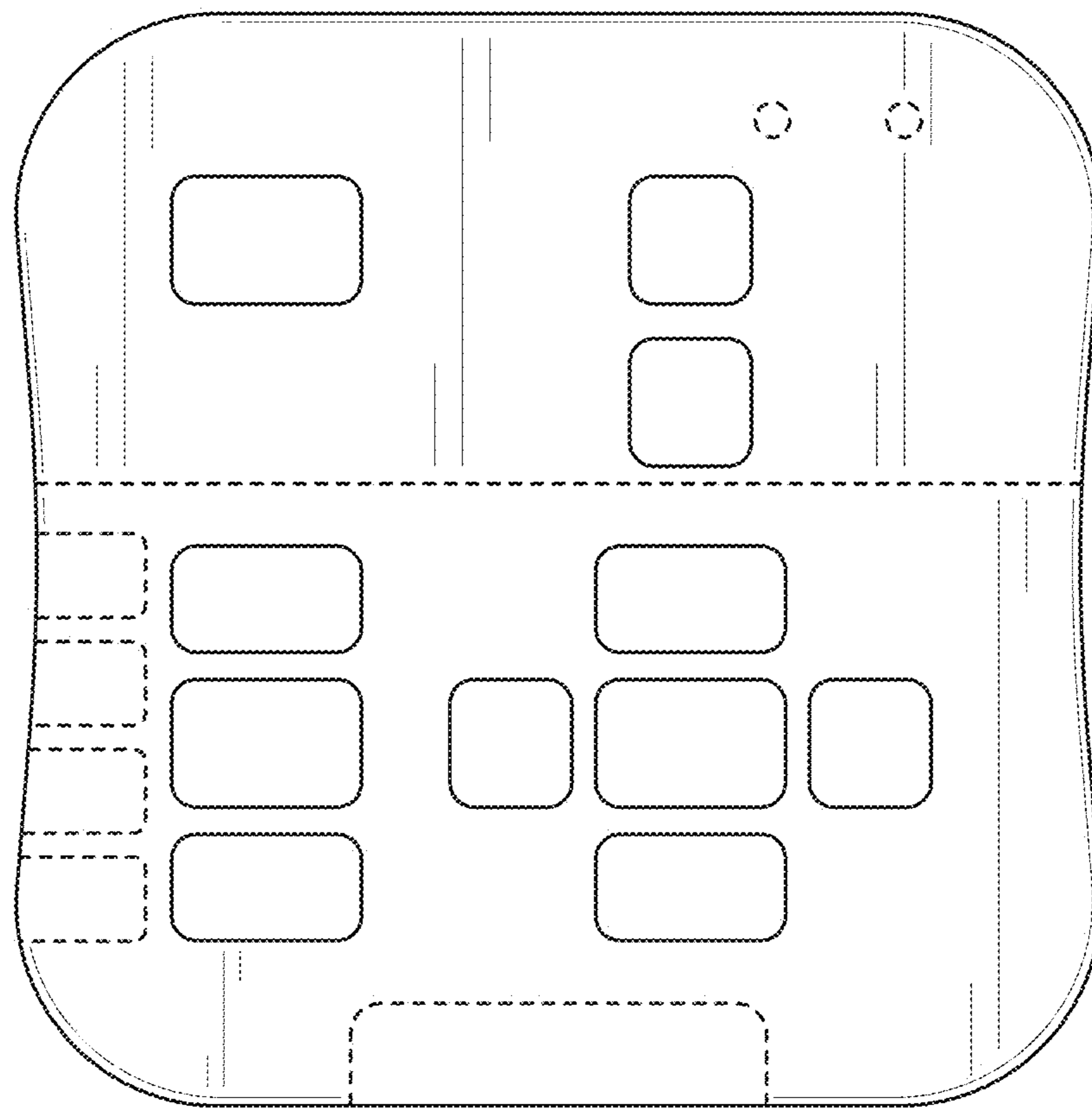


FIG. 1

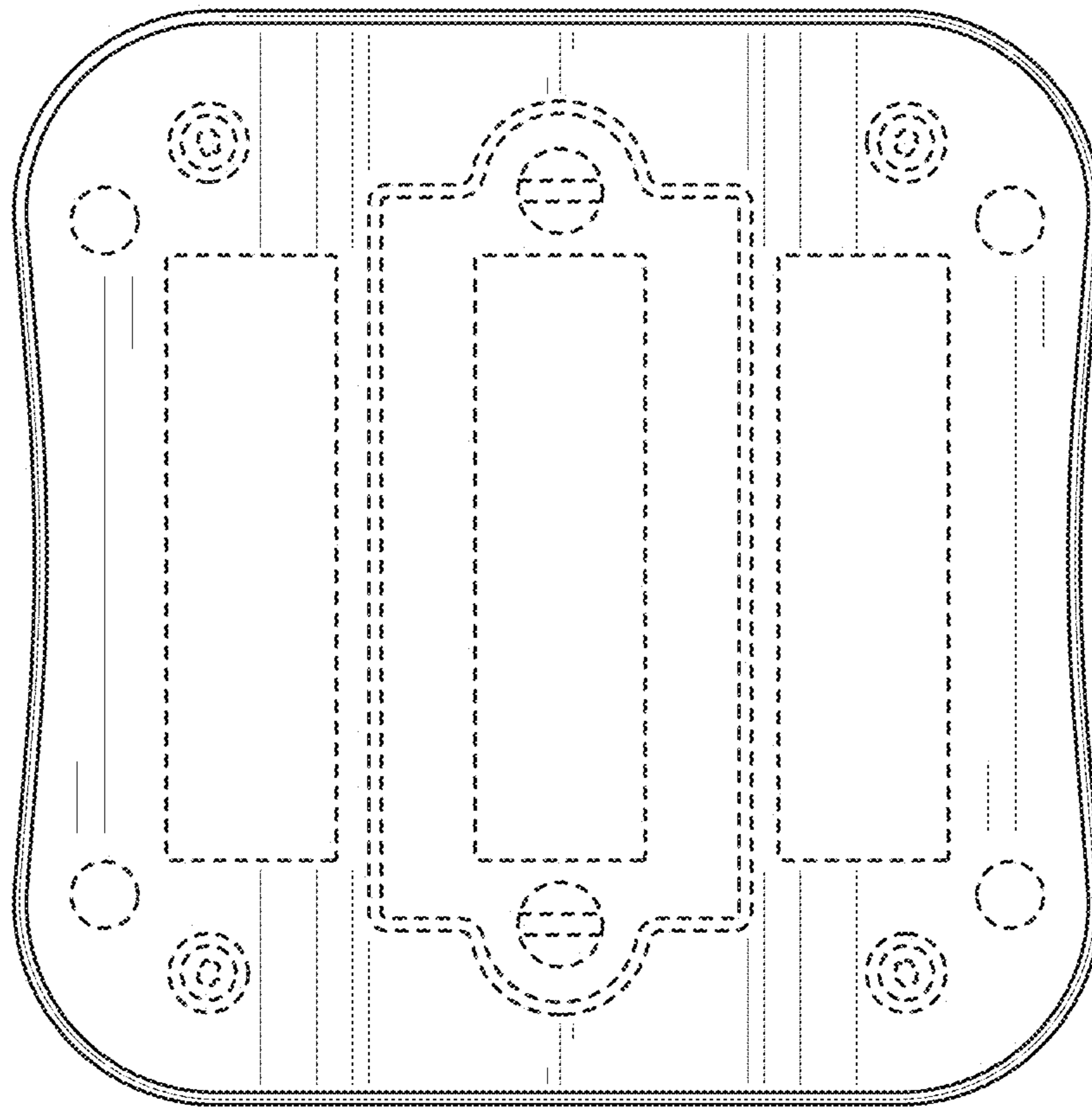


FIG. 2

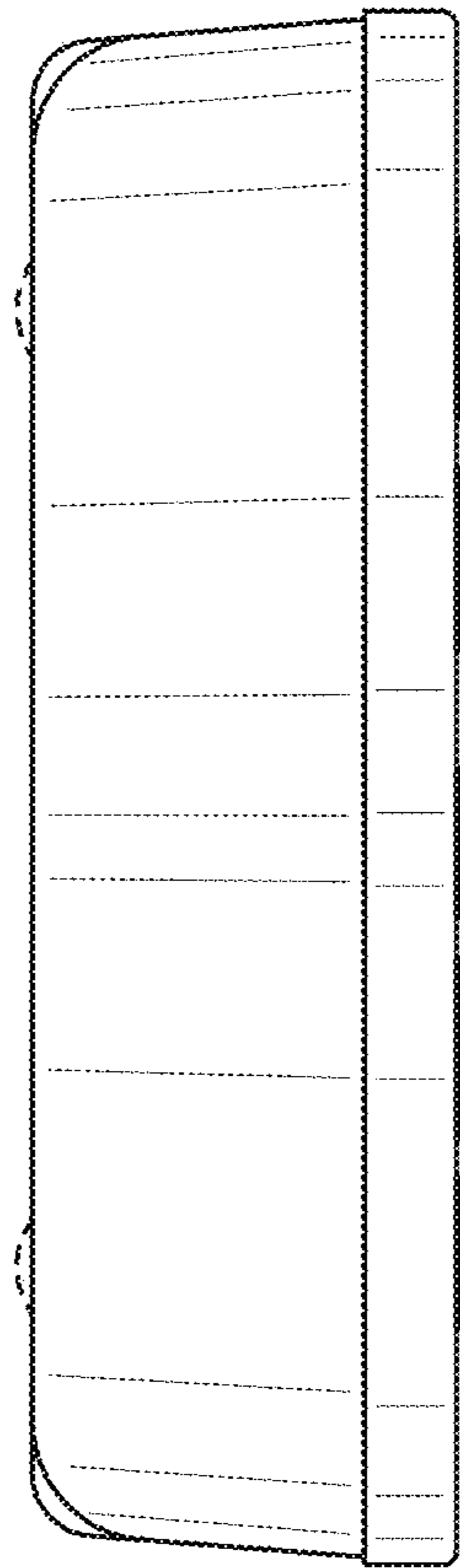


FIG. 3

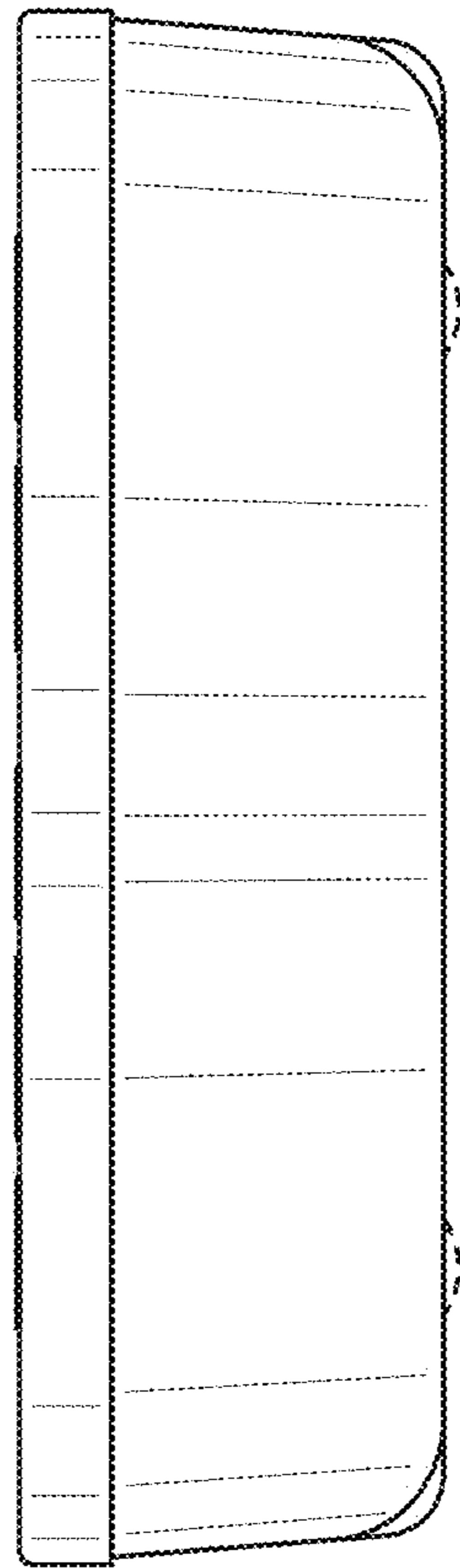


FIG. 4

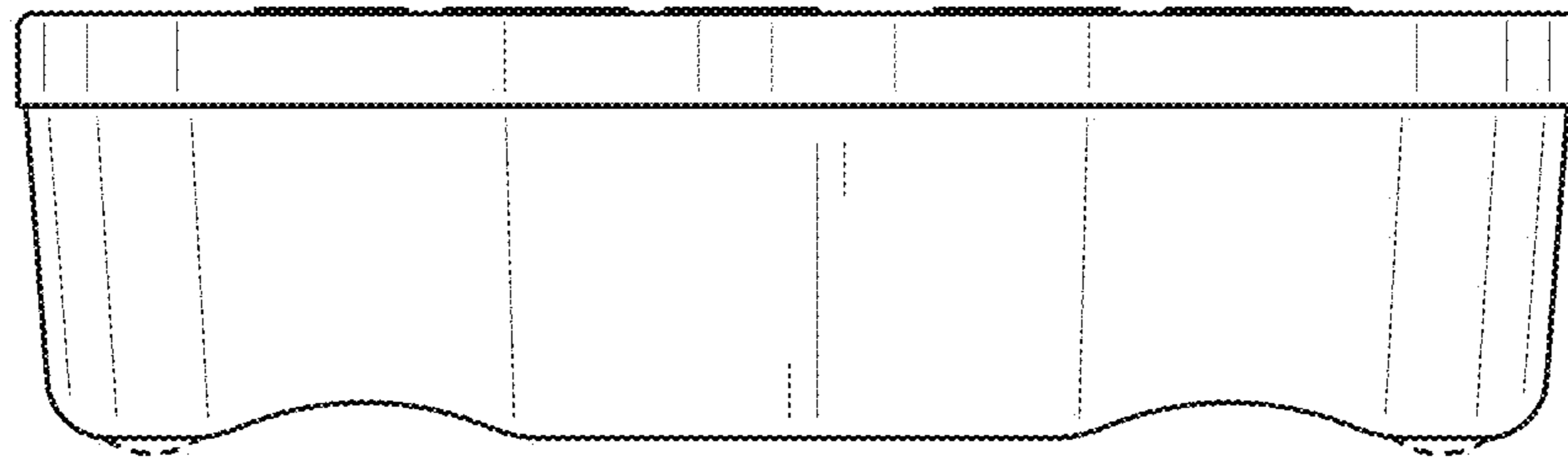


FIG. 5

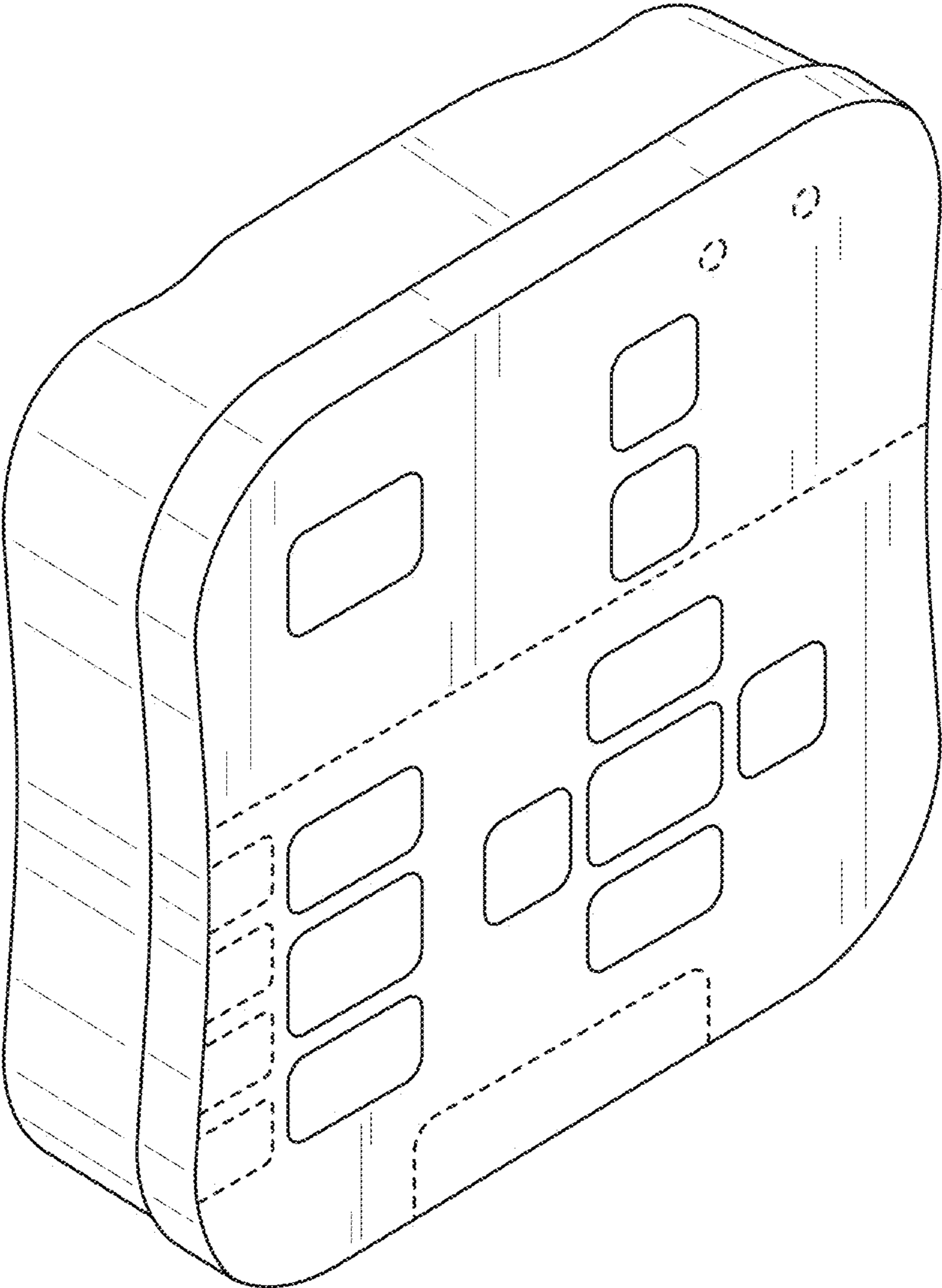


FIG. 6

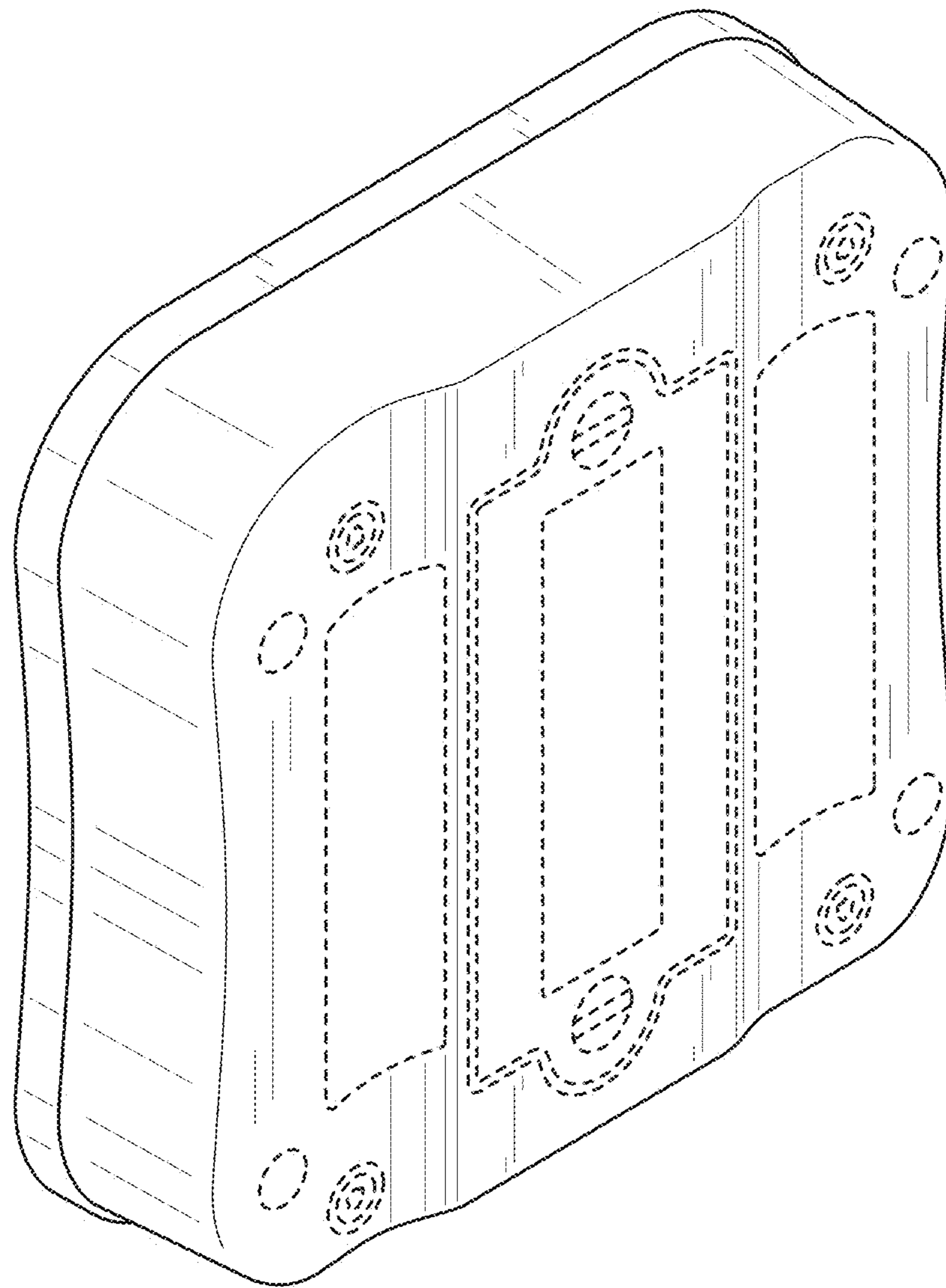


FIG. 7