



US00D924179S

(12) **United States Design Patent**
Hirose et al.

(10) **Patent No.:** **US D924,179 S**
(45) **Date of Patent:** **** Jul. 6, 2021**

(54) **CONTROLLER FOR ELECTRIC ACTUATOR**

(71) Applicant: **SMC CORPORATION**, Tokyo (JP)

(72) Inventors: **Takeshi Hirose**, Moriya (JP); **Satoshi Kuroda**, Tsukuba (JP); **Yoko Ikegami**, Noda (JP); **Yuta Oshima**, Moriya (JP)

(73) Assignee: **SMC CORPORATION**, Tokyo (JP)

(**) Term: **15 Years**

(21) Appl. No.: **29/723,118**

(22) Filed: **Feb. 4, 2020**

(30) **Foreign Application Priority Data**

Aug. 21, 2019 (JP) 2019-018423

(51) **LOC (13) Cl.** **13-03**

(52) **U.S. Cl.**
USPC **D13/162.1; D13/123**

(58) **Field of Classification Search**
USPC D13/107, 108, 110, 118, 119, 123, 147,
D13/162, 162.1, 164, 184, 199; D14/251,
D14/253, 358, 432, 434
CPC .. H02J 7/00; H02J 7/027; H02J 7/0042; H02J
7/0045; H02J 7/0047; H02J 7/0048; H02J
7/0063; H02J 7/32; H02J 7/1423; H02M
7/00; H02M 7/003; H01M 2/202; H01M
2/204; H01M 2/1022; H01M 2/342;
H05K 5/0247; H05K 5/003; H05K 5/023;
Y02T 10/7005; Y02T 10/705; Y02T
10/7088

See application file for complete search history.

(56) **References Cited**

U.S. PATENT DOCUMENTS

D360,879 S * 8/1995 Gronwall D13/162
D366,245 S * 1/1996 Kurokawa D13/162

D456,782 S 5/2002 Nagai et al.
D488,441 S * 4/2004 Ogawa D13/110
D525,194 S 7/2006 Nagai et al.
D558,141 S * 12/2007 Kwon D13/110
D616,377 S * 5/2010 Bussen D13/162.1
D653,218 S * 1/2012 Fukano D13/147
D657,745 S 4/2012 Fukano et al.
D753,588 S * 4/2016 Reiner D13/110
D755,719 S * 5/2016 Hofbauer D13/123

FOREIGN PATENT DOCUMENTS

JP 1521852 S 4/2015
JP 1522800 S 4/2015

* cited by examiner

Primary Examiner — Derrick E Holland

(74) *Attorney, Agent, or Firm* — Birch, Stewart, Kolasch & Birch, LLP

(57) **CLAIM**

The ornamental design for a controller for electric actuator, as shown and described.

DESCRIPTION

FIG. 1 is a front, top and right side perspective view of a controller for electric actuator showing our new design; FIG. 2 is a rear, bottom and left side perspective view thereof; FIG. 3 is a front view thereof; FIG. 4 is a rear view thereof; FIG. 5 is a top plan view thereof; FIG. 6 is a bottom plan view thereof; FIG. 7 is a left side view thereof; and, FIG. 8 is a right side view thereof. The broken lines depict portions of the controller for electric actuator that form no part of the claimed design.

1 Claim, 8 Drawing Sheets

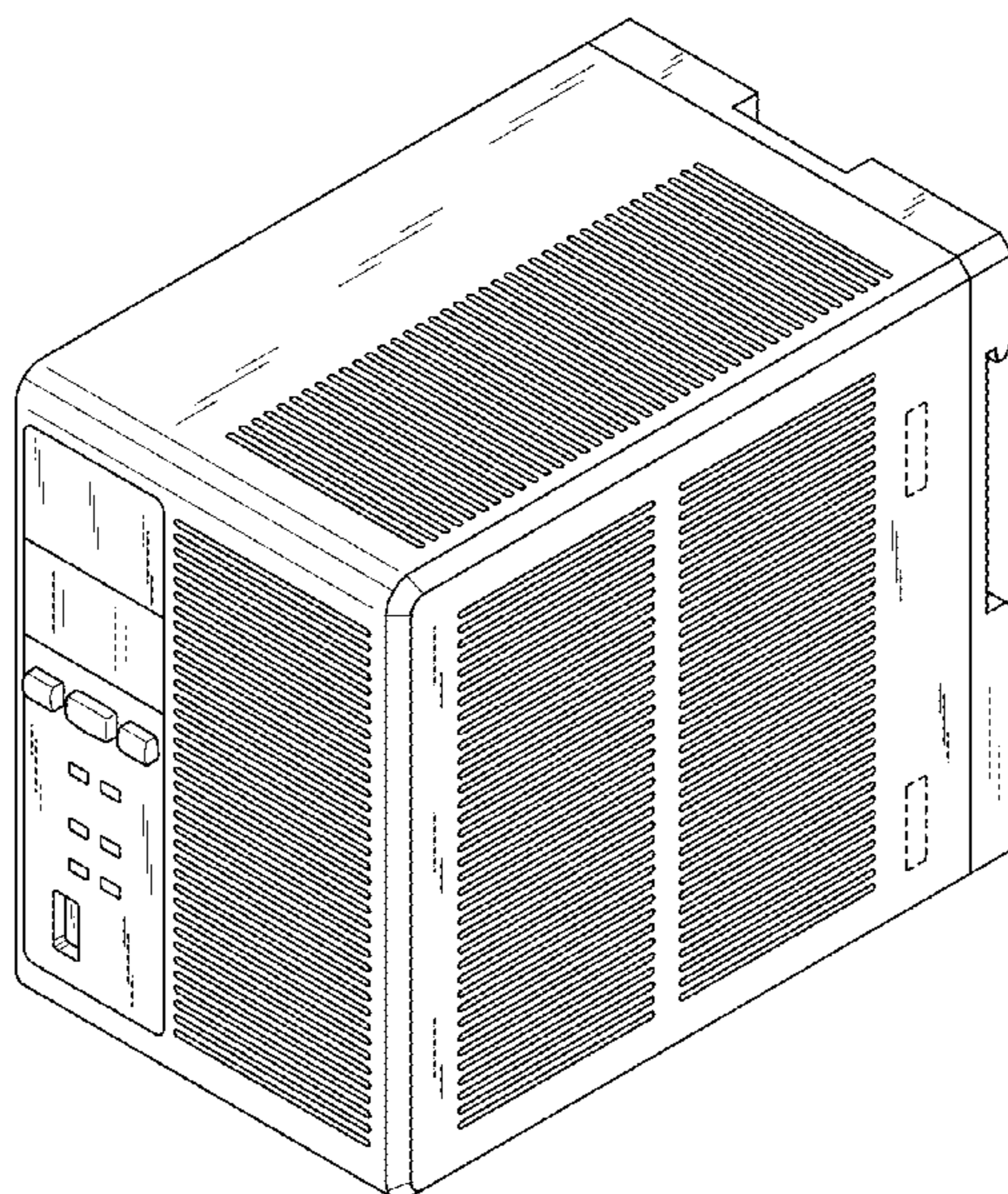


FIG. 1

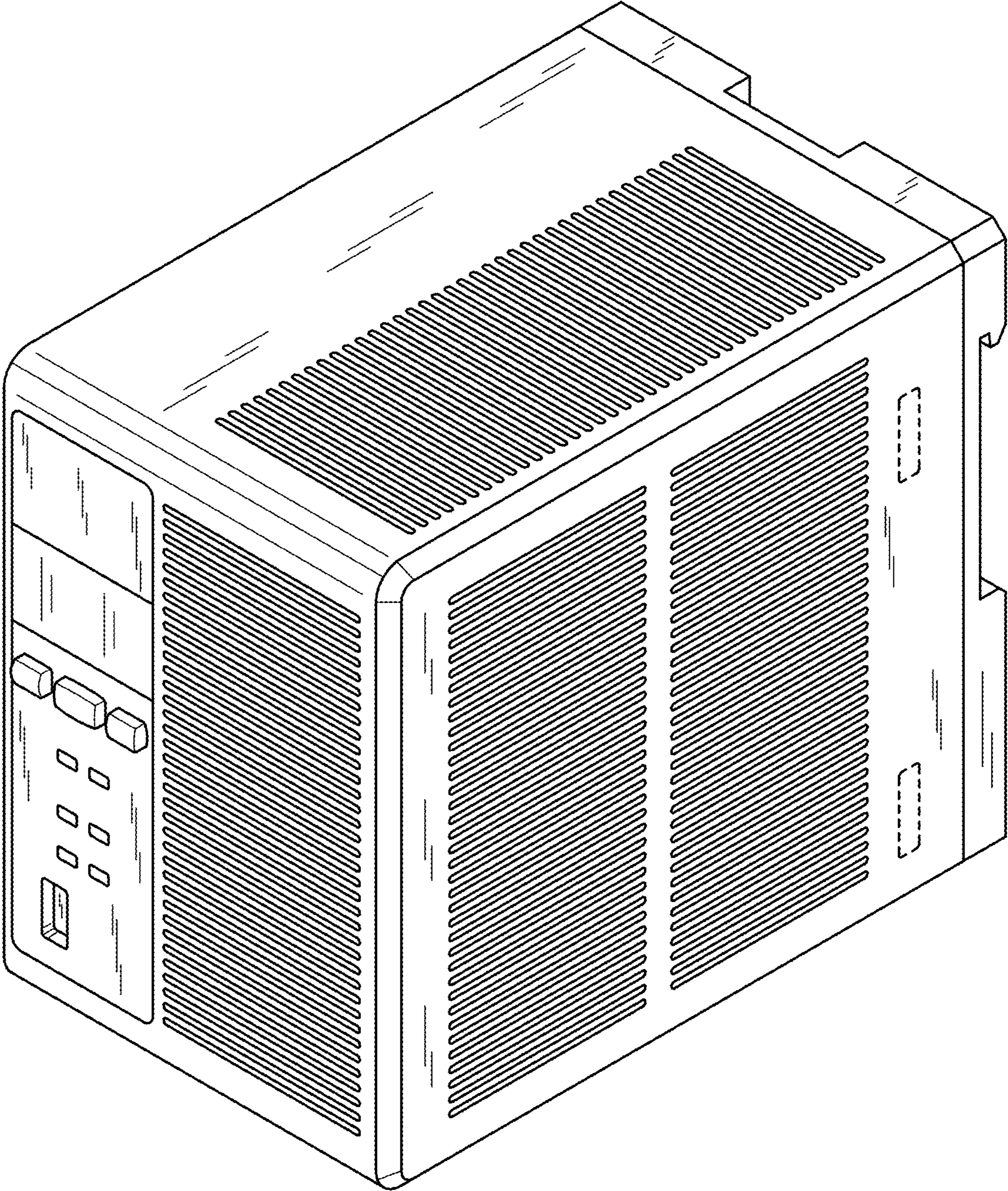


FIG. 2

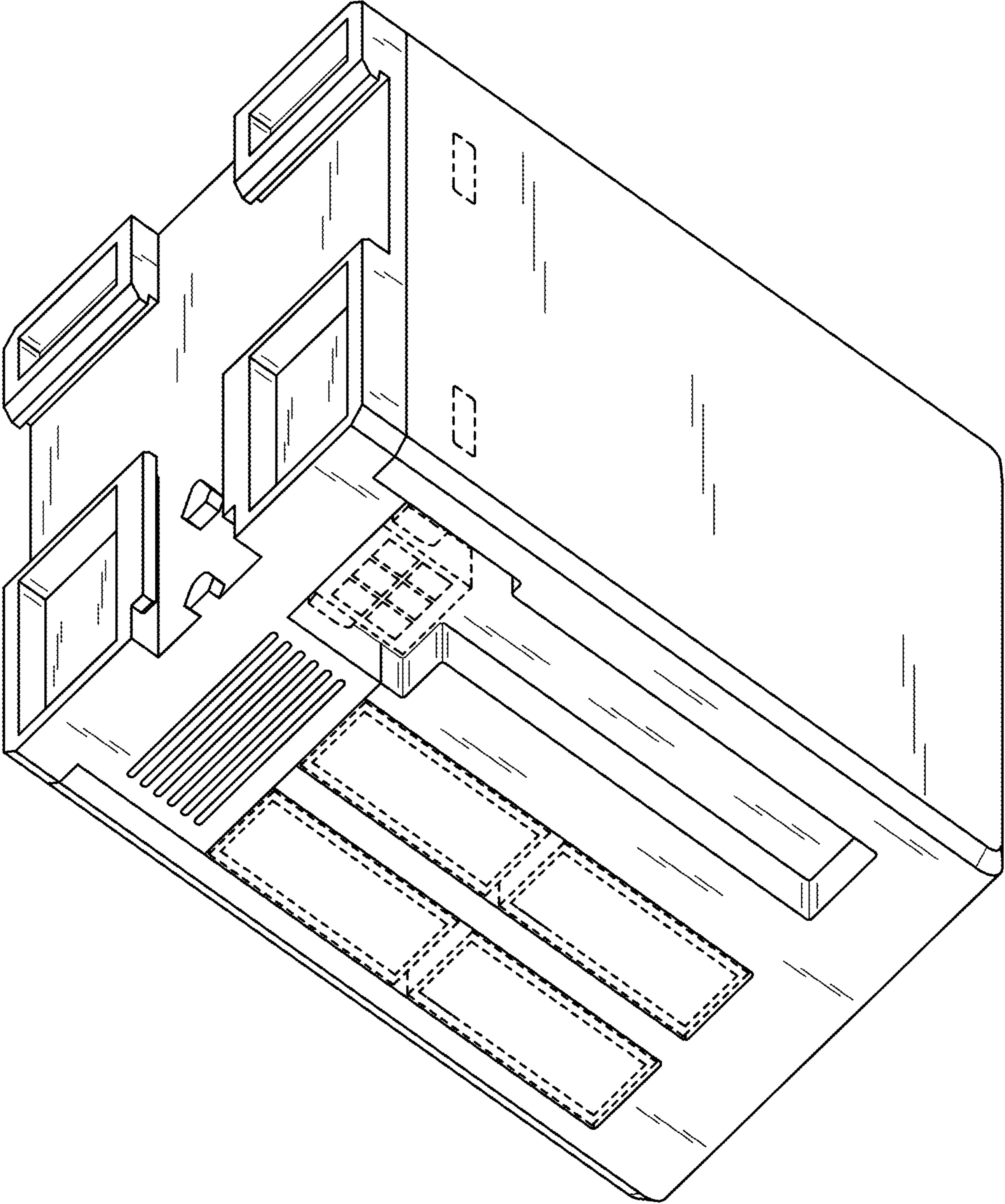


FIG. 3

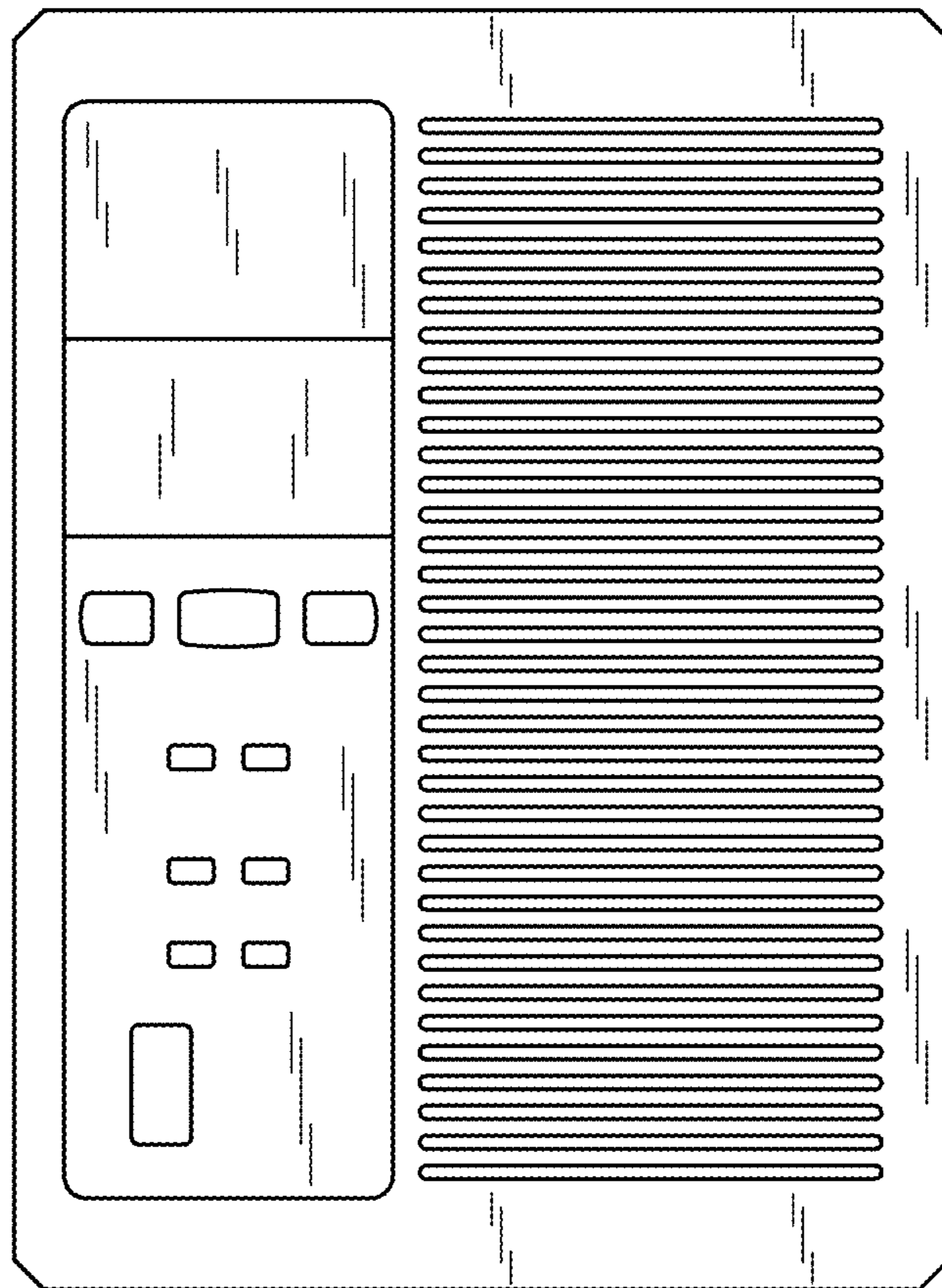


FIG. 4

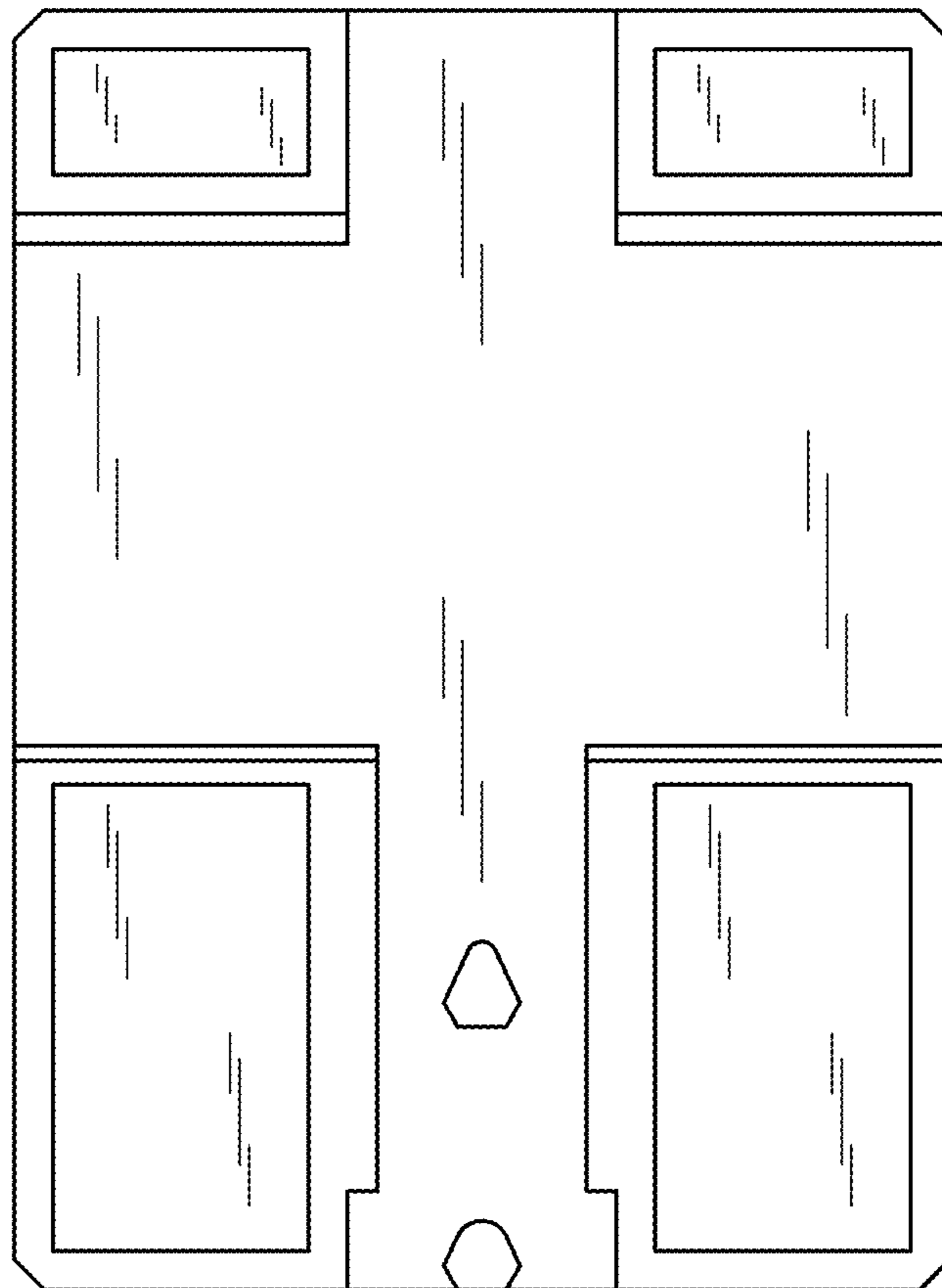


FIG. 5

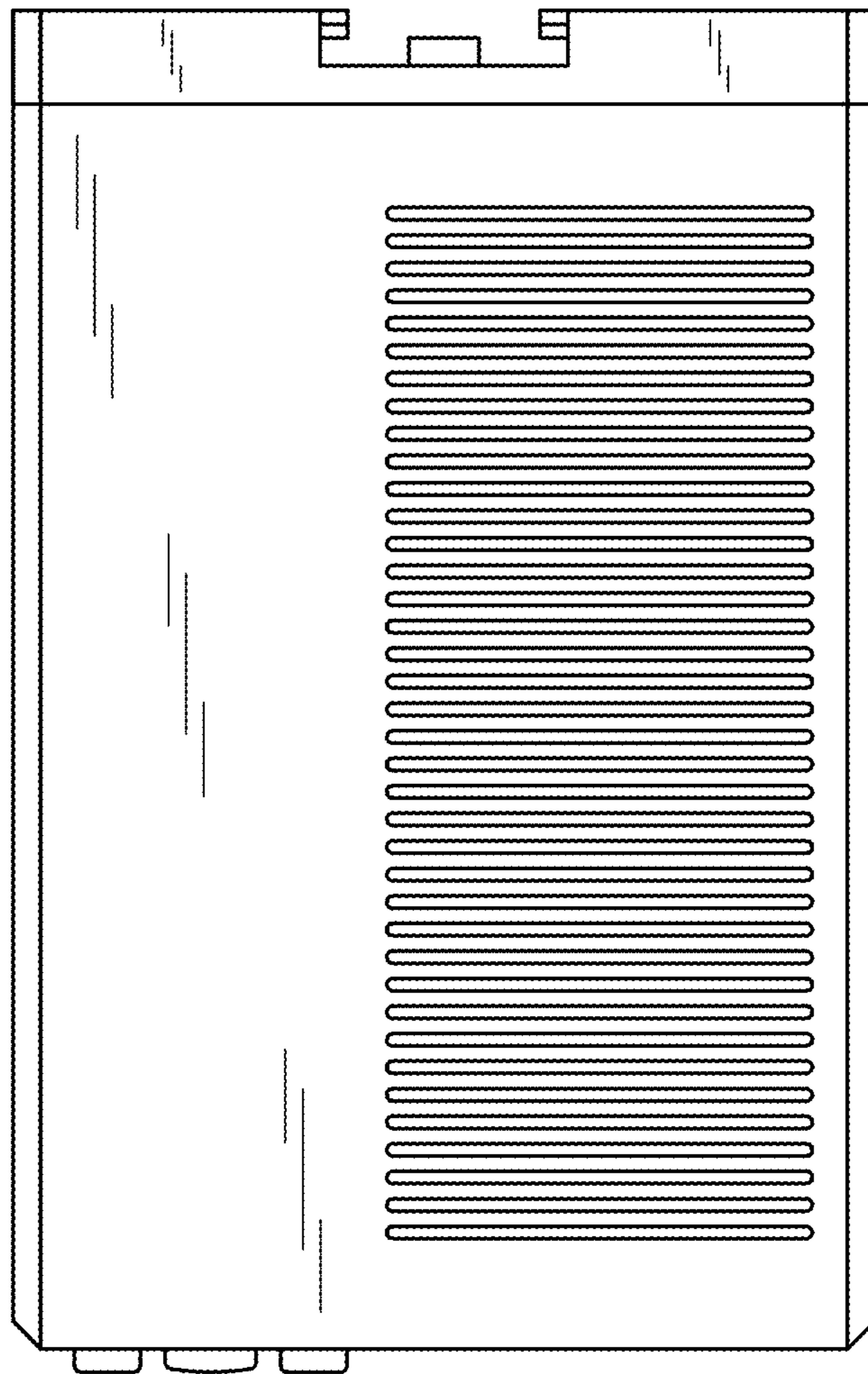


FIG. 6

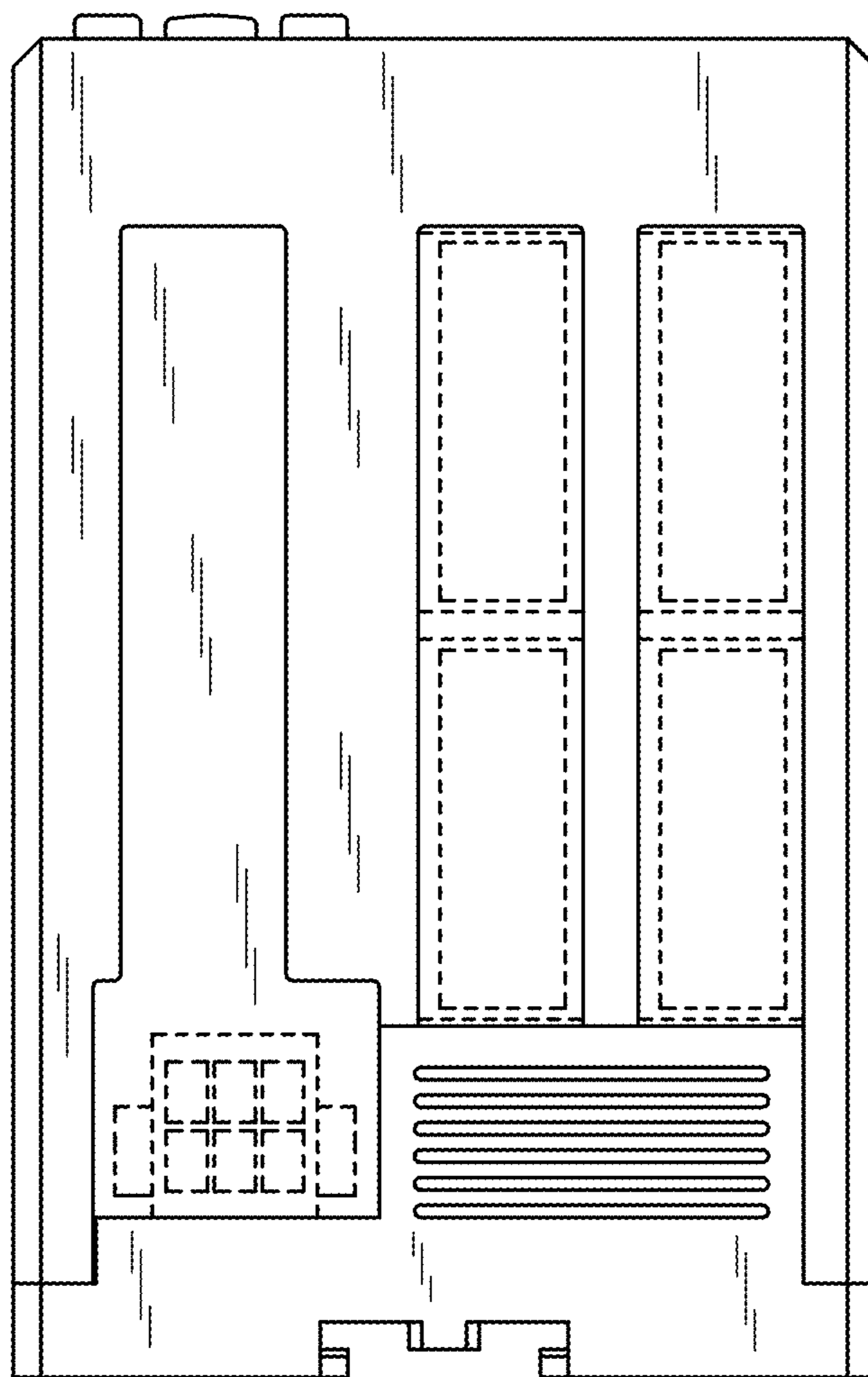


FIG. 7

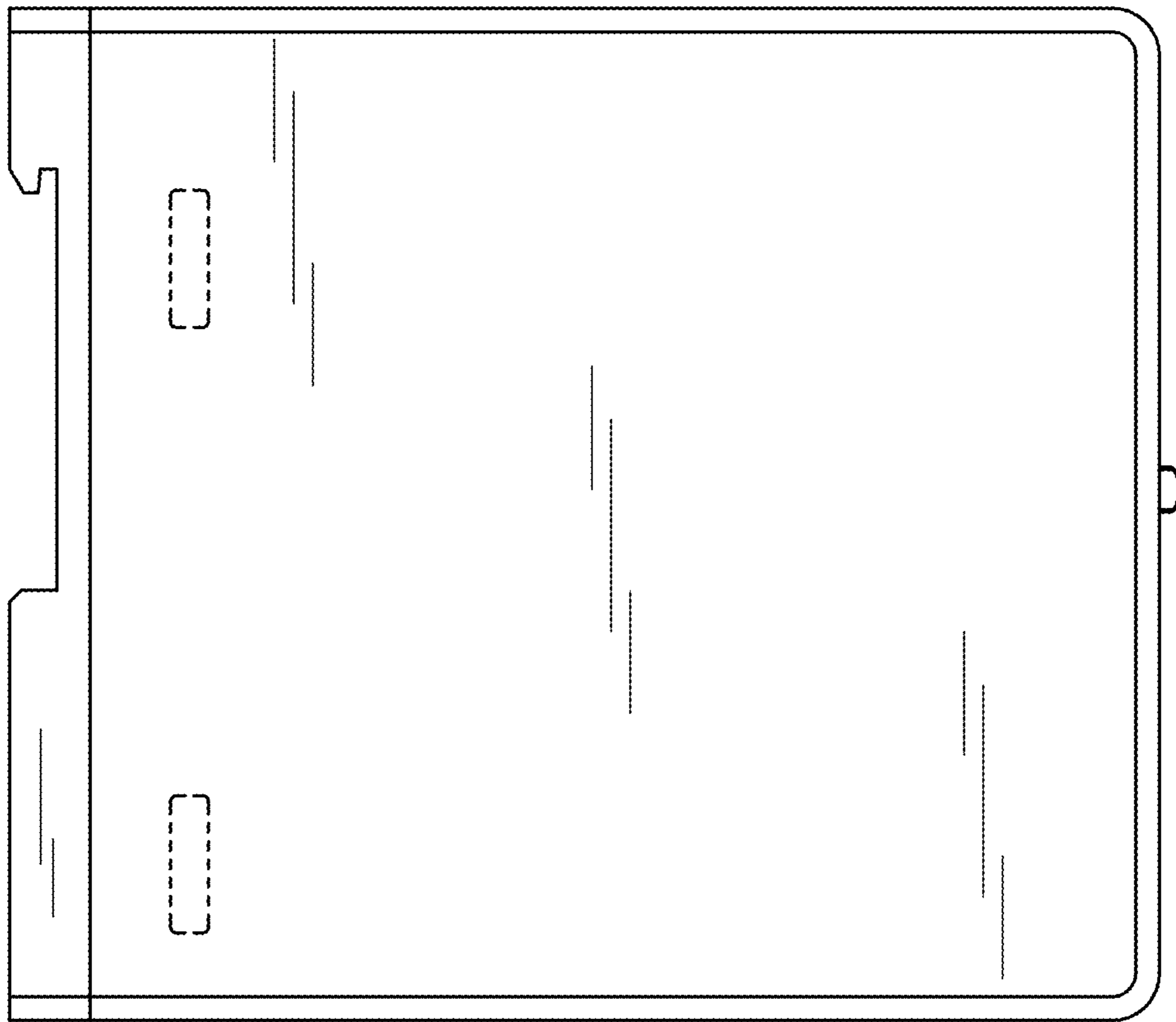


FIG. 8

