



US00D924177S

(12) **United States Design Patent**
Chandler, Jr. et al.

(10) **Patent No.:** **US D924,177 S**

(45) **Date of Patent:** **** Jul. 6, 2021**

(54) **PRESSURE SWITCH**

(71) Applicant: **Chandler Systems, Inc.**, Ashland, OH (US)

(72) Inventors: **William D. Chandler, Jr.**, Ashland, OH (US); **Aaron R. Wolfe**, Ashland, OH (US); **Cody A. Harbaugh**, Ashland, OH (US); **Patrick Frazer**, Ashland, OH (US)

(73) Assignee: **CHANDLER SYSTEMS, INC.**, Ashland, OH (US)

(**) Term: **15 Years**

(21) Appl. No.: **29/722,230**

(22) Filed: **Jan. 28, 2020**

(51) **LOC (13) Cl.** **13-03**

(52) **U.S. Cl.**
USPC **D13/158**

(58) **Field of Classification Search**
USPC D13/123, 126, 152, 156, 158-160, 162, D13/173, 177, 184, 199; D10/40, 96
CPC .. A01G 25/16; G01L 9/00; G01L 9/12; H01H 11/00; H01H 35/00; H01H 35/24; H01H 35/26; H01H 35/40; H01H 39/00
See application file for complete search history.

(56) **References Cited**

U.S. PATENT DOCUMENTS

D437,295 S	*	2/2001	Gunji	D13/158
D455,362 S	*	4/2002	Okuyama	D10/96
D477,287 S	*	7/2003	Roman	D13/162
D497,145 S	*	10/2004	Seo	D13/158

D559,195 S	*	1/2008	Tamaoki	D13/158
D559,717 S	*	1/2008	Hendey	D10/96
D567,680 S	*	4/2008	Michael	D10/40
D568,255 S	*	5/2008	Kurisasi	D13/158
D647,411 S	*	10/2011	Barton	D10/40
D878,306 S	*	3/2020	Van Acker	D13/158
2005/0160777 A1	*	7/2005	Baechle	H03K 17/9502 70/276
2018/0374664 A1	*	12/2018	Garcia Ban s	H01H 35/2678
2020/0185173 A1	*	6/2020	Roberts	H01H 11/0062

* cited by examiner

Primary Examiner — Shawn T Gingrich

(74) *Attorney, Agent, or Firm* — Ralph E. Jocke; Walker & Jocke

(57) **CLAIM**

The ornamental design for a pressure switch, as shown and described.

DESCRIPTION

FIG. 1 is a front view of a pressure switch having our new design.

FIG. 2 is a left side view thereof.

FIG. 3 is a right side view thereof.

FIG. 4 is a back view thereof.

FIG. 5 is a top view thereof.

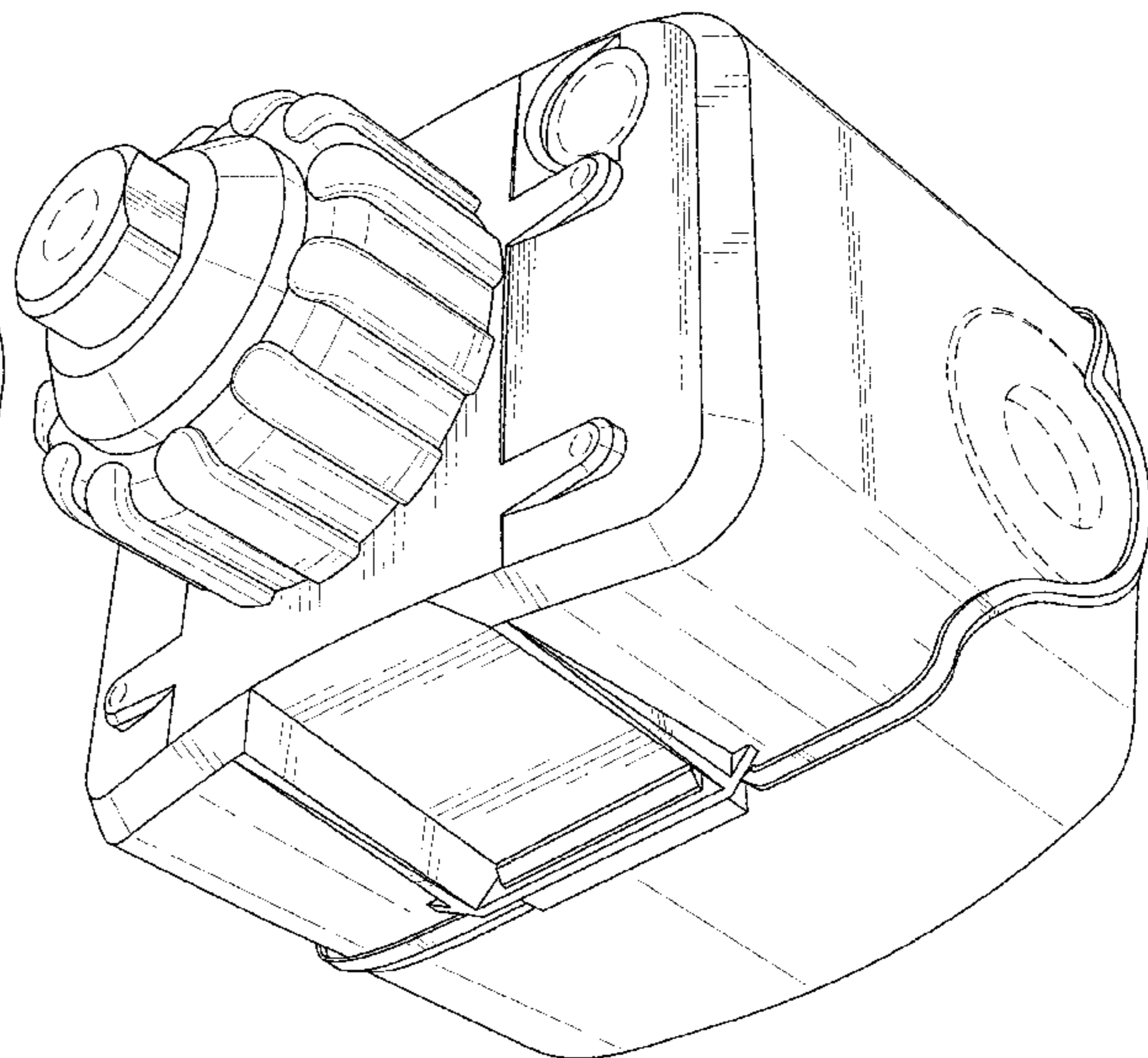
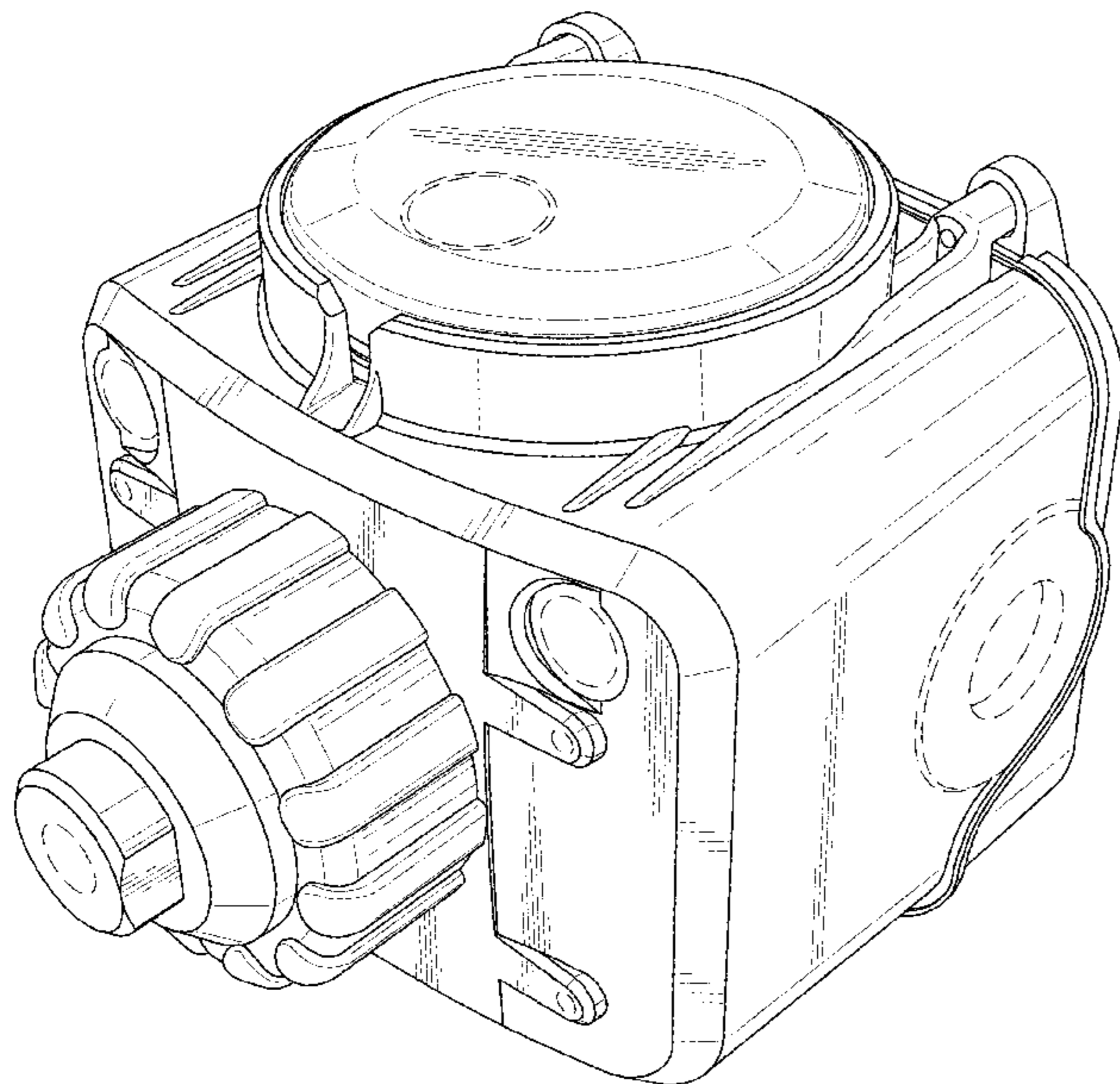
FIG. 6 is a bottom view thereof.

FIG. 7 is a bottom front right perspective view thereof, it being understood that a bottom front left perspective view is a mirror image thereof; and,

FIG. 8 is a bottom back right perspective view thereof; it being understood that a bottom back left perspective view is a mirror image thereof.

The broken lines in the drawings depict portions of the pressure switch that form no part of the claimed design.

1 Claim, 8 Drawing Sheets



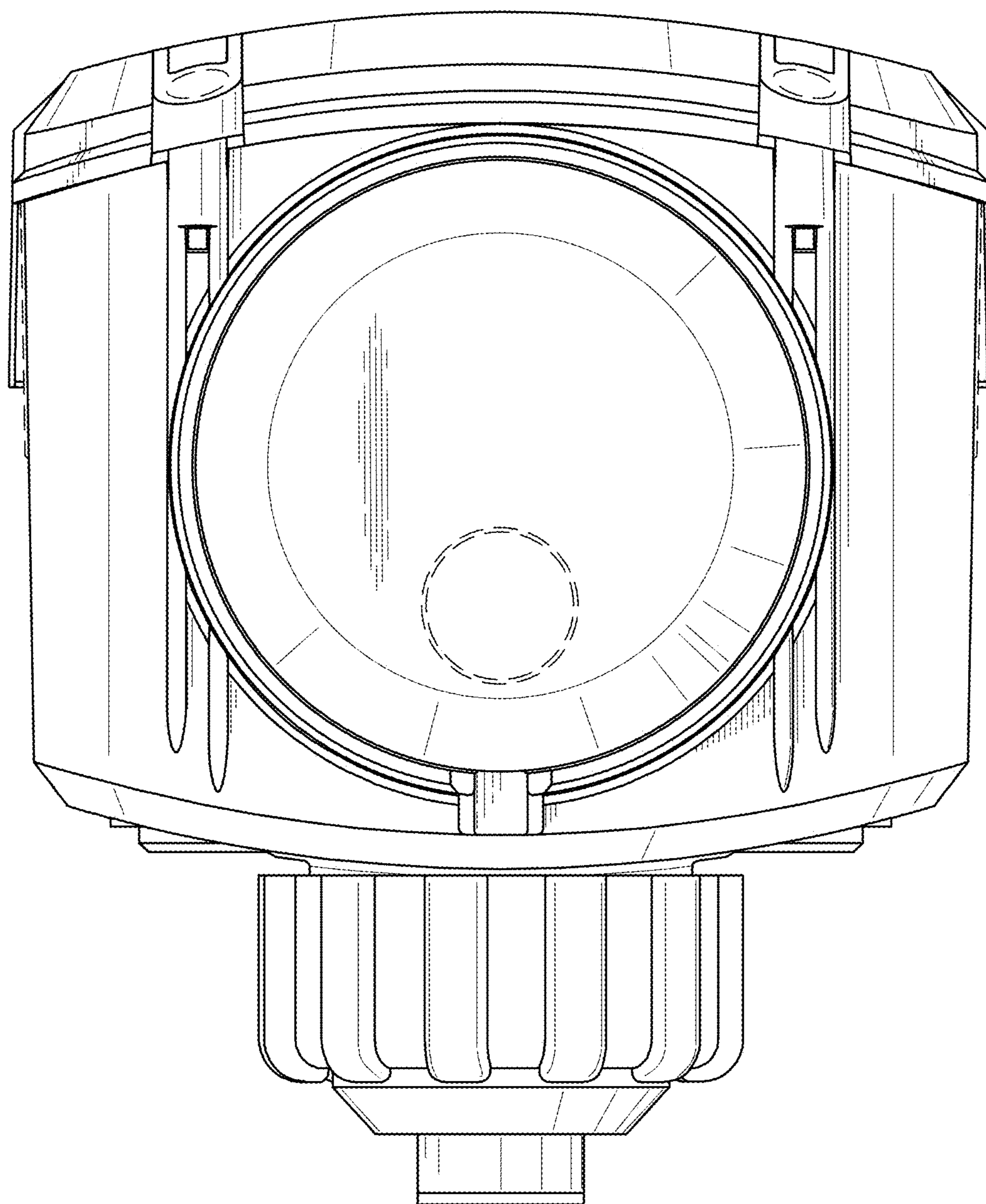


FIG. 1

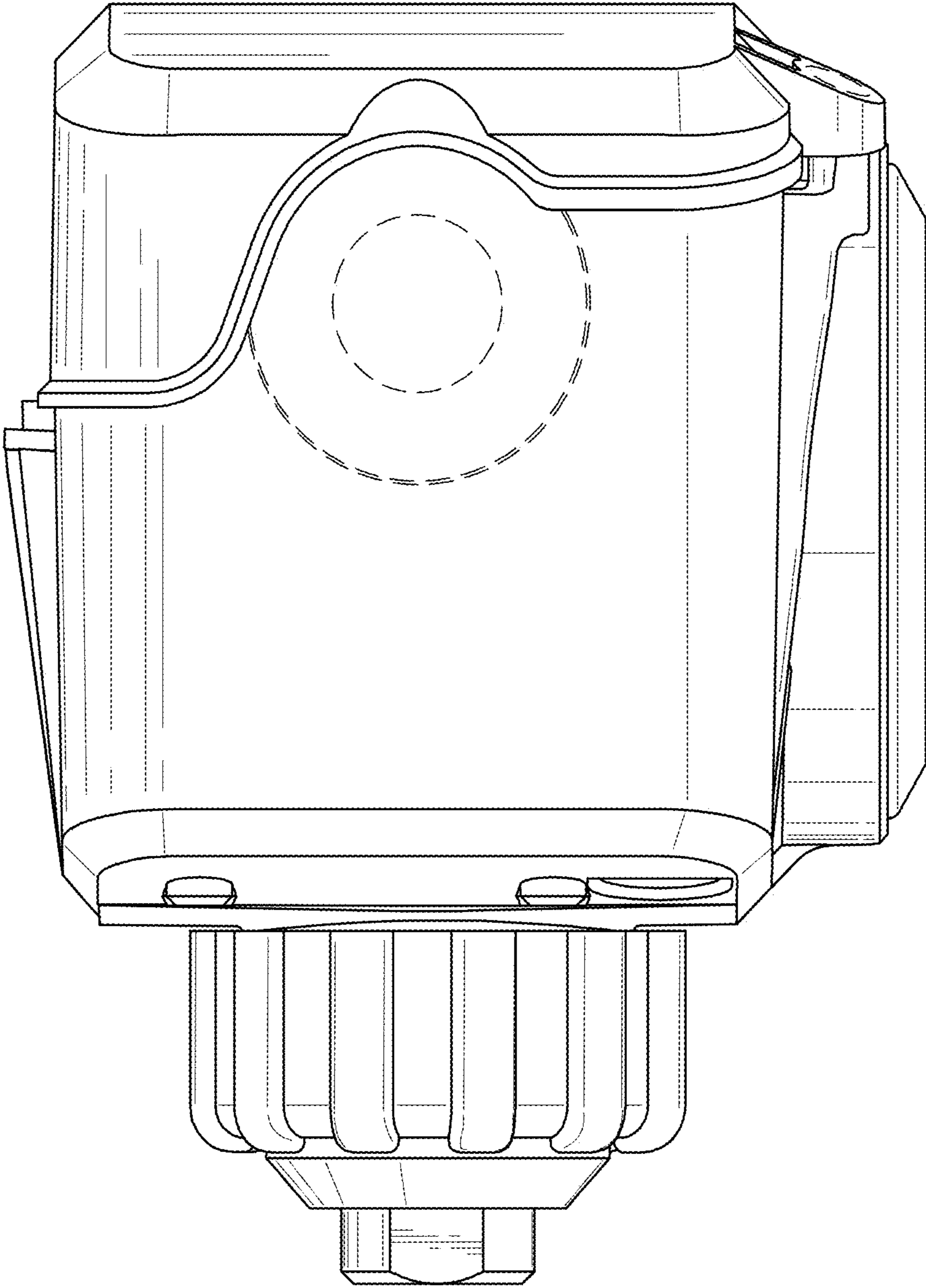


FIG. 2

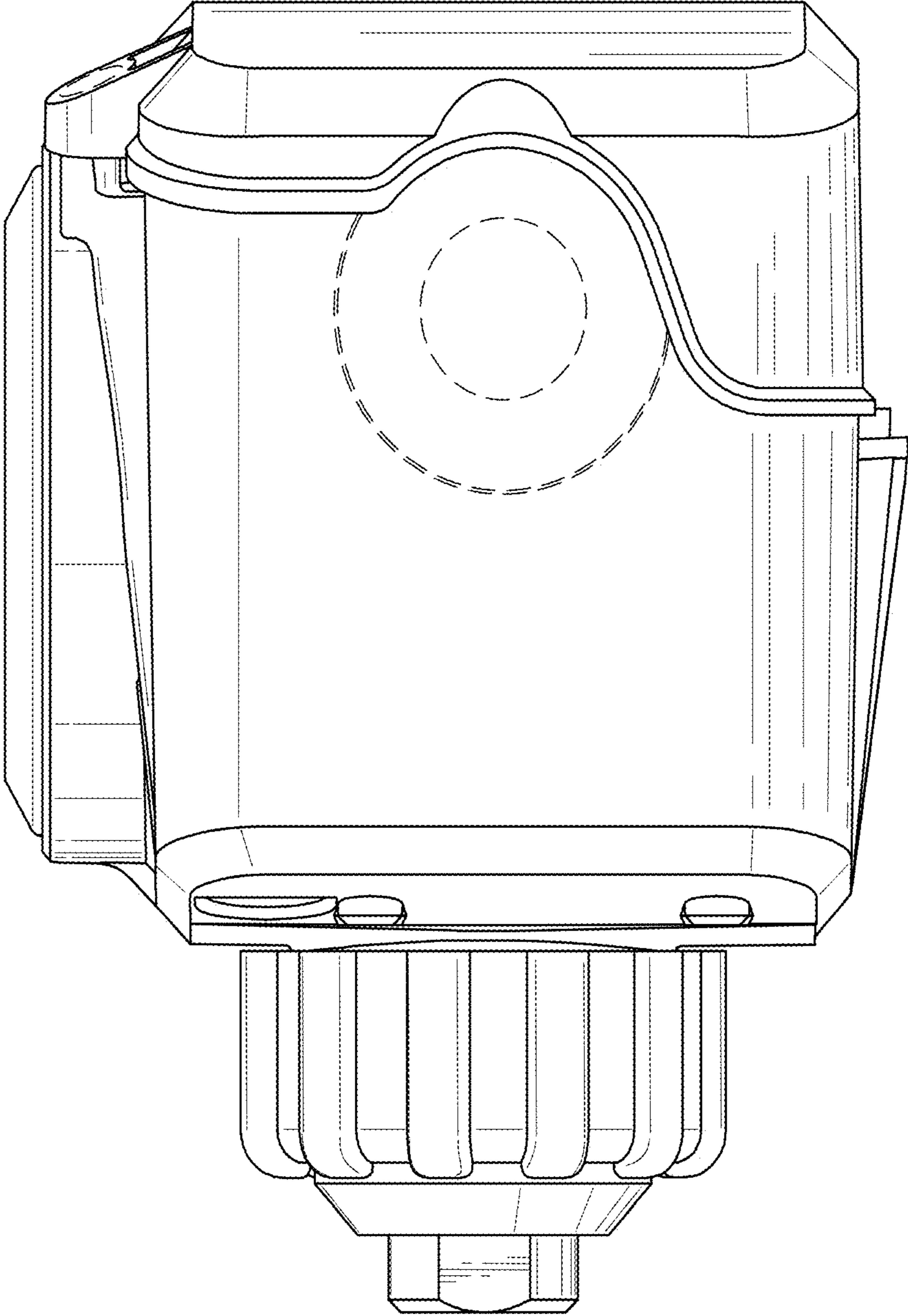


FIG. 3

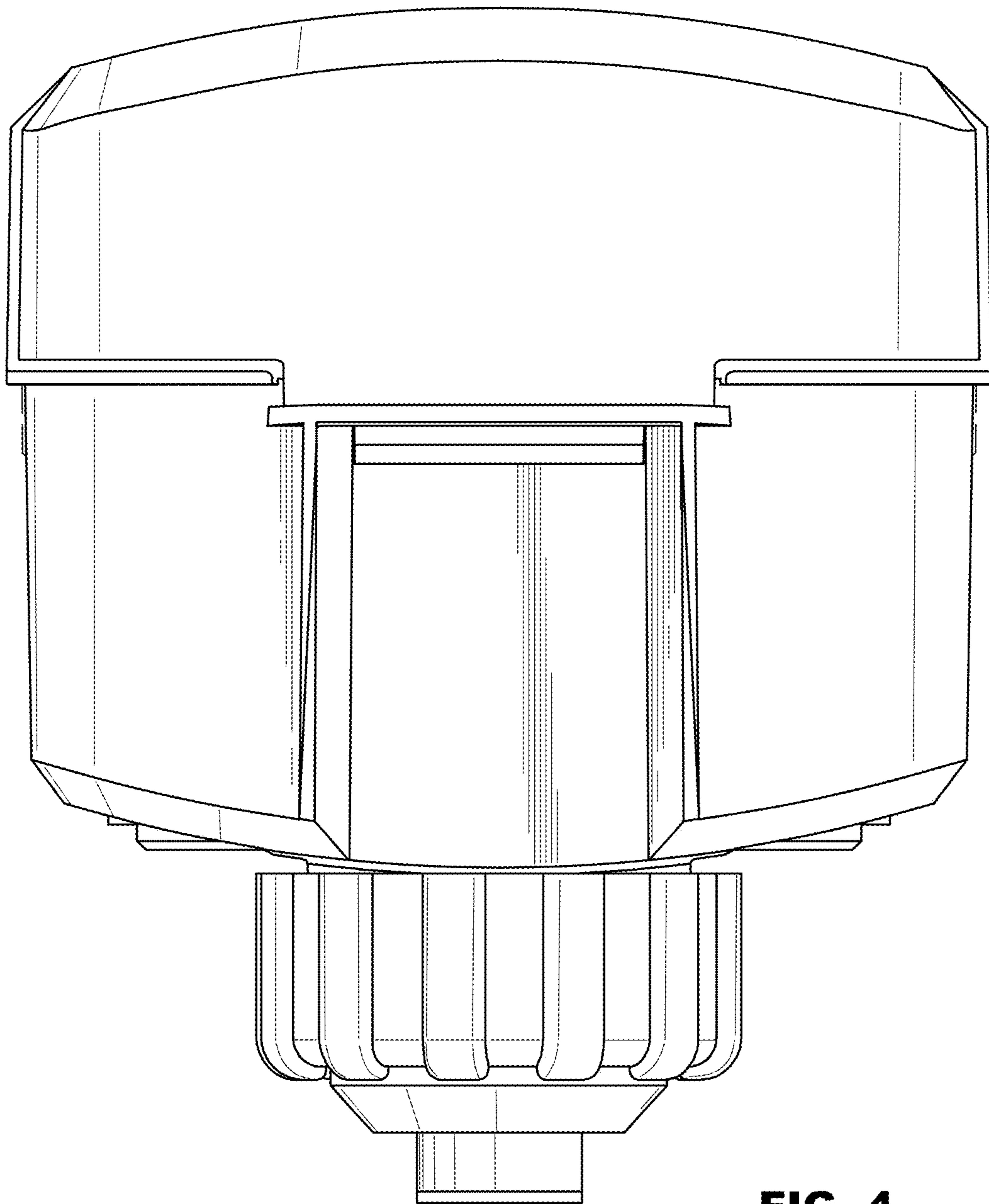


FIG. 4

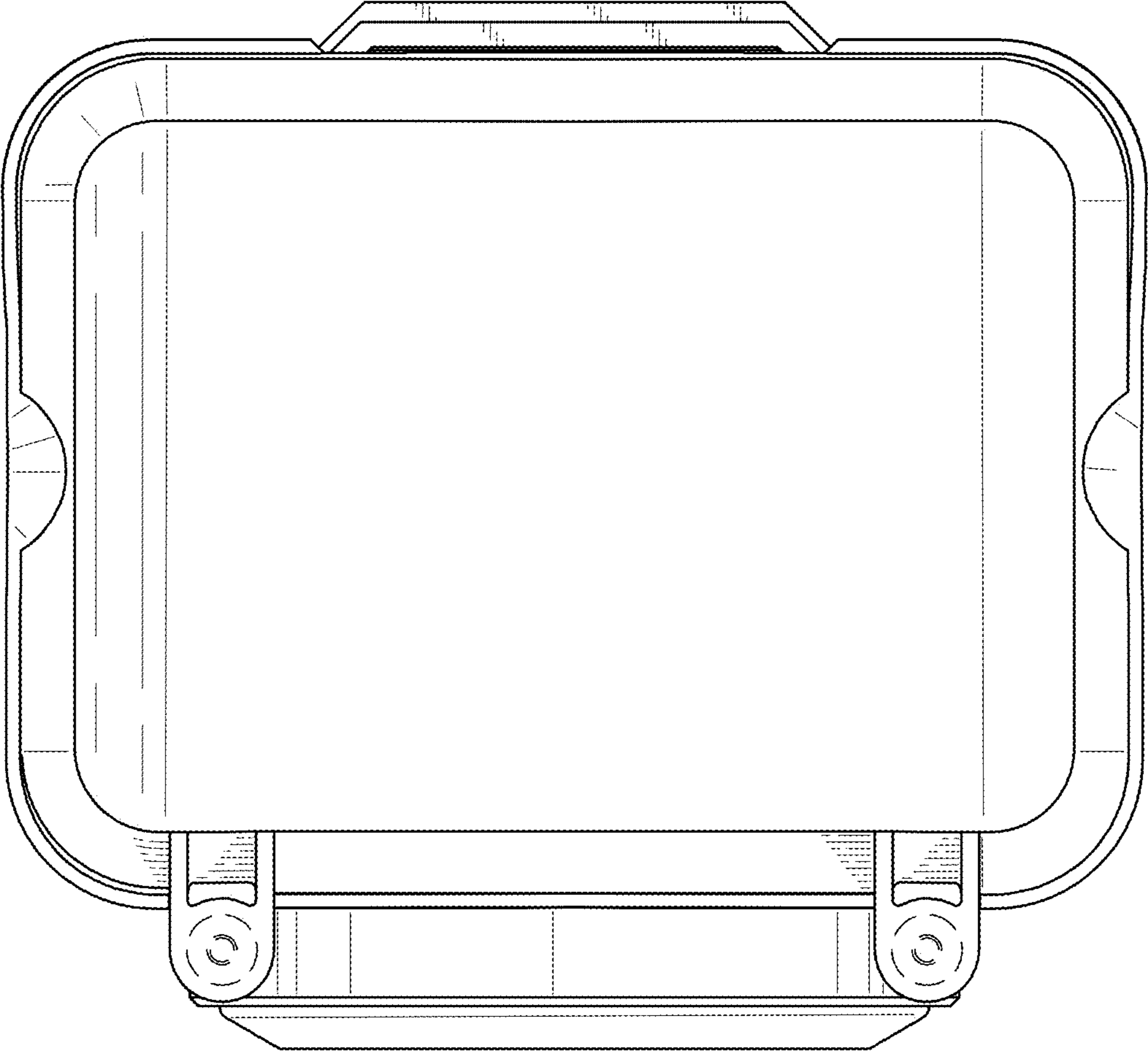


FIG. 5

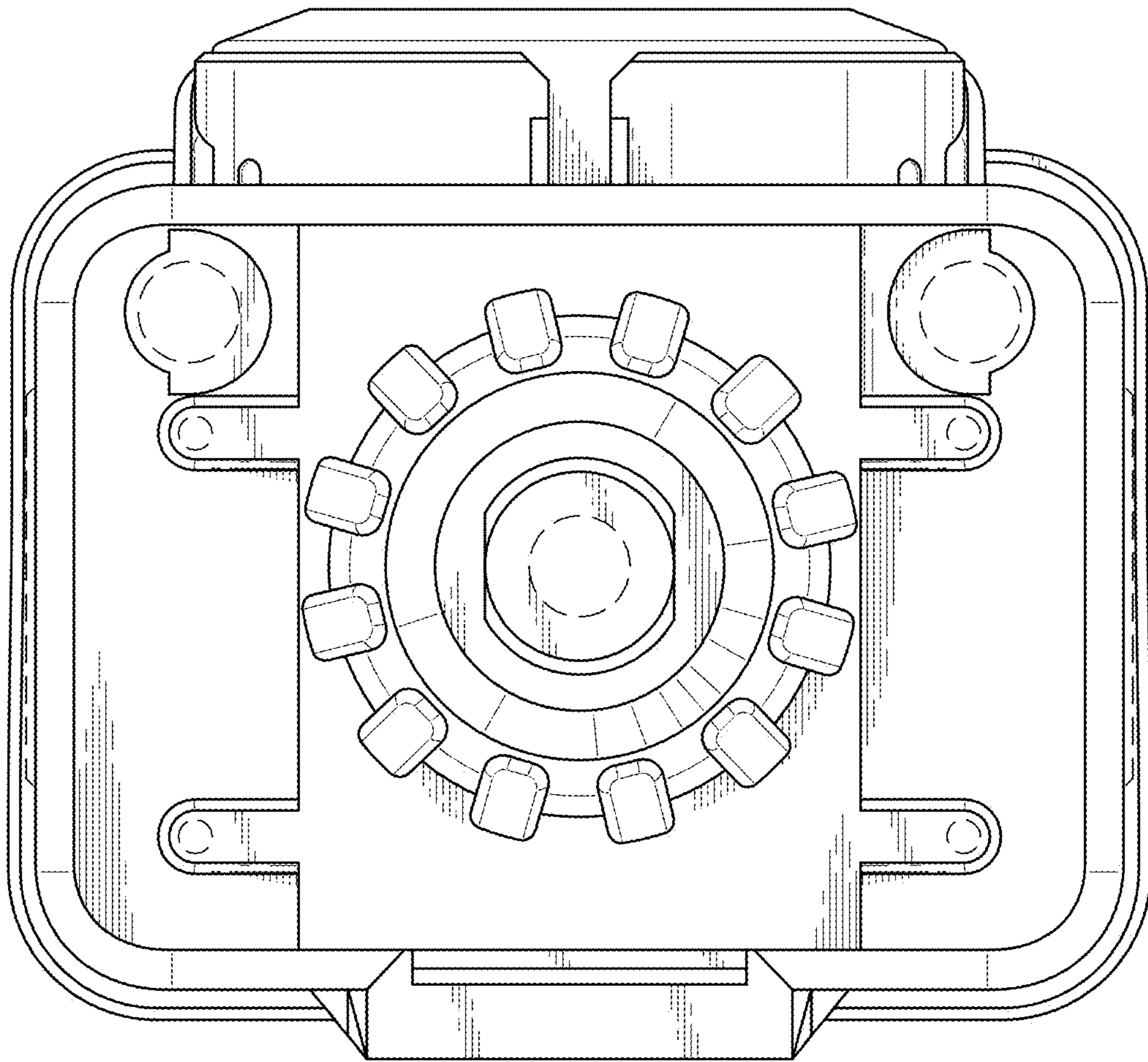


FIG. 6

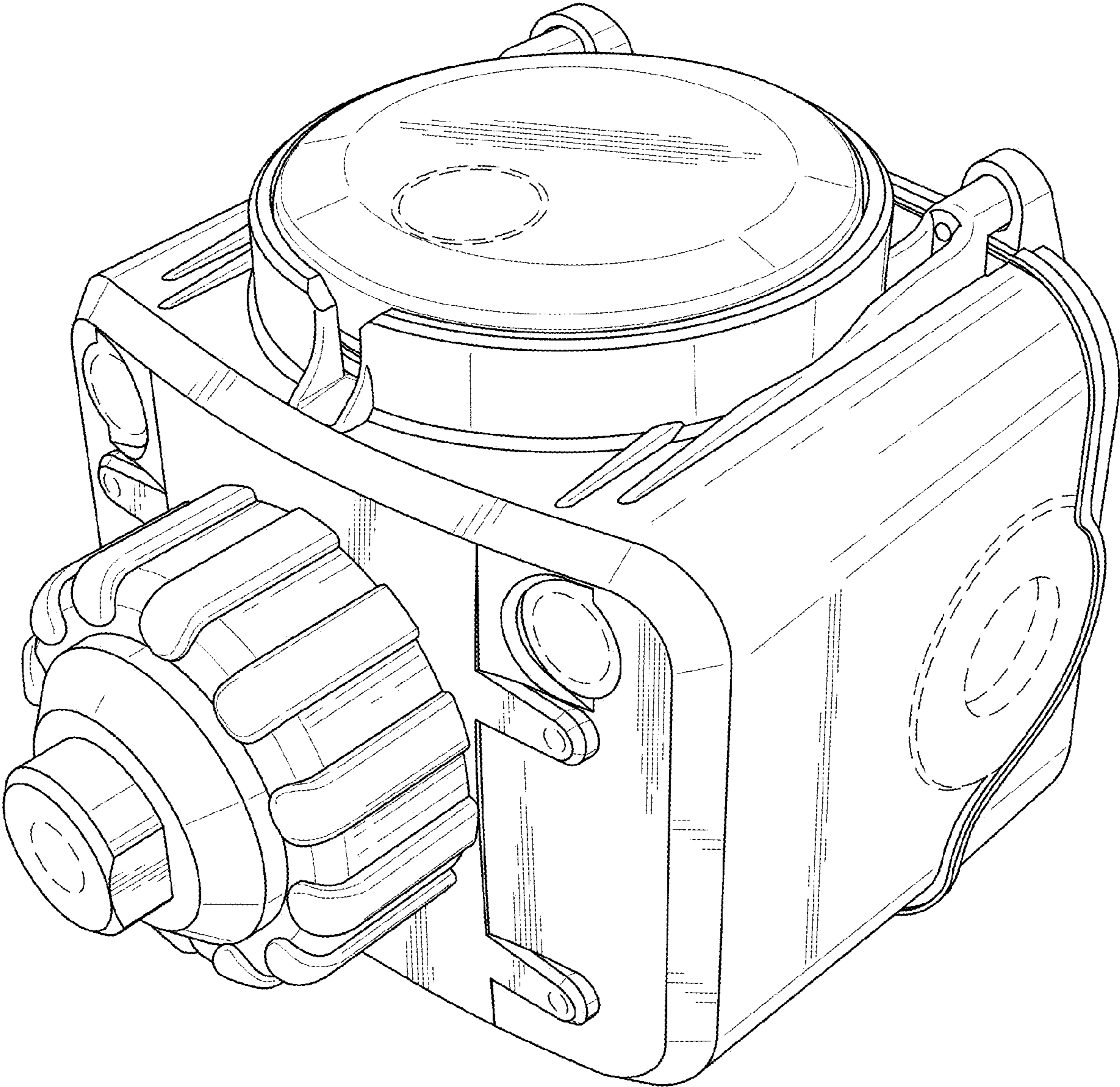


FIG. 7

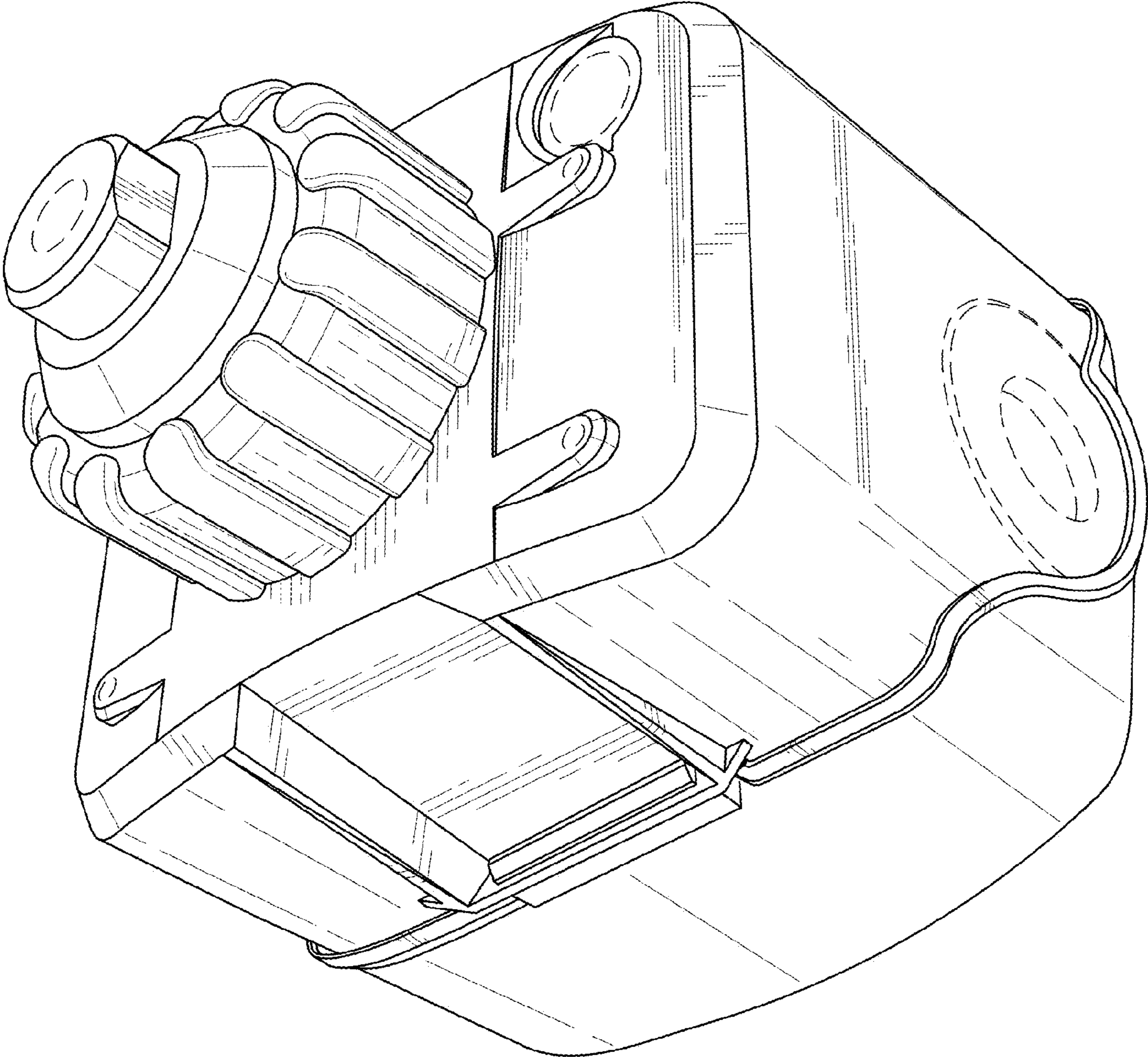


FIG. 8