



US00D924176S

(12) **United States Design Patent**  
**Leischner et al.**

(10) **Patent No.:** **US D924,176 S**  
(45) **Date of Patent:** **\*\* Jul. 6, 2021**

(54) **ELECTRONIC SWITCH**

FOREIGN PATENT DOCUMENTS

- (71) Applicant: **R. Stahl Schaltgeräte GmbH**, Waldenburg (DE)
- (72) Inventors: **Manfred Leischner**, Öhringen (DE); **Jochen König**, Pfedelbach (DE); **Rainer Schutera**, Forchtenberg-Muthof (DE)
- (73) Assignee: **R. Stahl Schaltgeräte GmbH**, Waldenburg (DE)

CA 161295 2/2015  
EM 002527960-0001 8/2014

*Primary Examiner* — Shawn T Gingrich  
(74) *Attorney, Agent, or Firm* — Fitch, Even, Tabin & Flannery LLP

- (\*\*) Term: **15 Years**
- (21) Appl. No.: **29/713,265**
- (22) Filed: **Nov. 14, 2019**

(57) **CLAIM**

We claim the ornamental design for an electronic switch, as shown and described.

**Related U.S. Application Data**

- (60) Division of application No. 29/566,811, filed on Jun. 2, 2016, now Pat. No. Des. 870,052, which is a (Continued)

**DESCRIPTION**

(30) **Foreign Application Priority Data**

Aug. 29, 2014 (EM) ..... 002527960

- (51) **LOC (13) Cl.** ..... **13-03**

- (52) **U.S. Cl.**  
USPC ..... **D13/158**

- (58) **Field of Classification Search**  
USPC ..... D13/101, 110, 112, 118, 122–125, 133, D13/148, 149, 158–161, 184, 199  
(Continued)

FIG. 1 is a top perspective view of the new design comprising an electronic switch;  
 FIG. 2 is a bottom perspective view of the electronic switch of FIG. 1;  
 FIG. 3 is a right side view of the electronic switch of FIG. 1;  
 FIG. 4 is a left side view of the electronic switch of FIG. 1;  
 FIG. 5 is a front side view of the electronic switch of FIG. 1;  
 FIG. 6 is a rear side view of the electronic switch of FIG. 1;  
 FIG. 7 is a top view of the electronic switch of FIG. 1;  
 FIG. 8 is a bottom view of the electronic switch of FIG. 1;  
 FIG. 9 is a top perspective view of a second embodiment for our new design comprising an electronic switch;  
 FIG. 10 is a bottom perspective view of the electronic switch of FIG. 9;  
 FIG. 11 is a right side view of the electronic switch of FIG. 9;  
 FIG. 12 is a left side view of the electronic switch of FIG. 9;  
 FIG. 13 is a front side view of the electronic switch of FIG. 9;  
 FIG. 14 is a rear side view of the electronic switch of FIG. 9;  
 FIG. 15 is a top view of the electronic switch of FIG. 9;  
 FIG. 16 is a bottom view of the electronic switch of FIG. 9;  
 FIG. 17 is a top perspective view of a third embodiment for the new design comprising an electronic switch;

(56) **References Cited**

**U.S. PATENT DOCUMENTS**

- D590,351 S 4/2009 Lifran
- D629,367 S 12/2010 Detemple et al.  
(Continued)

(Continued)

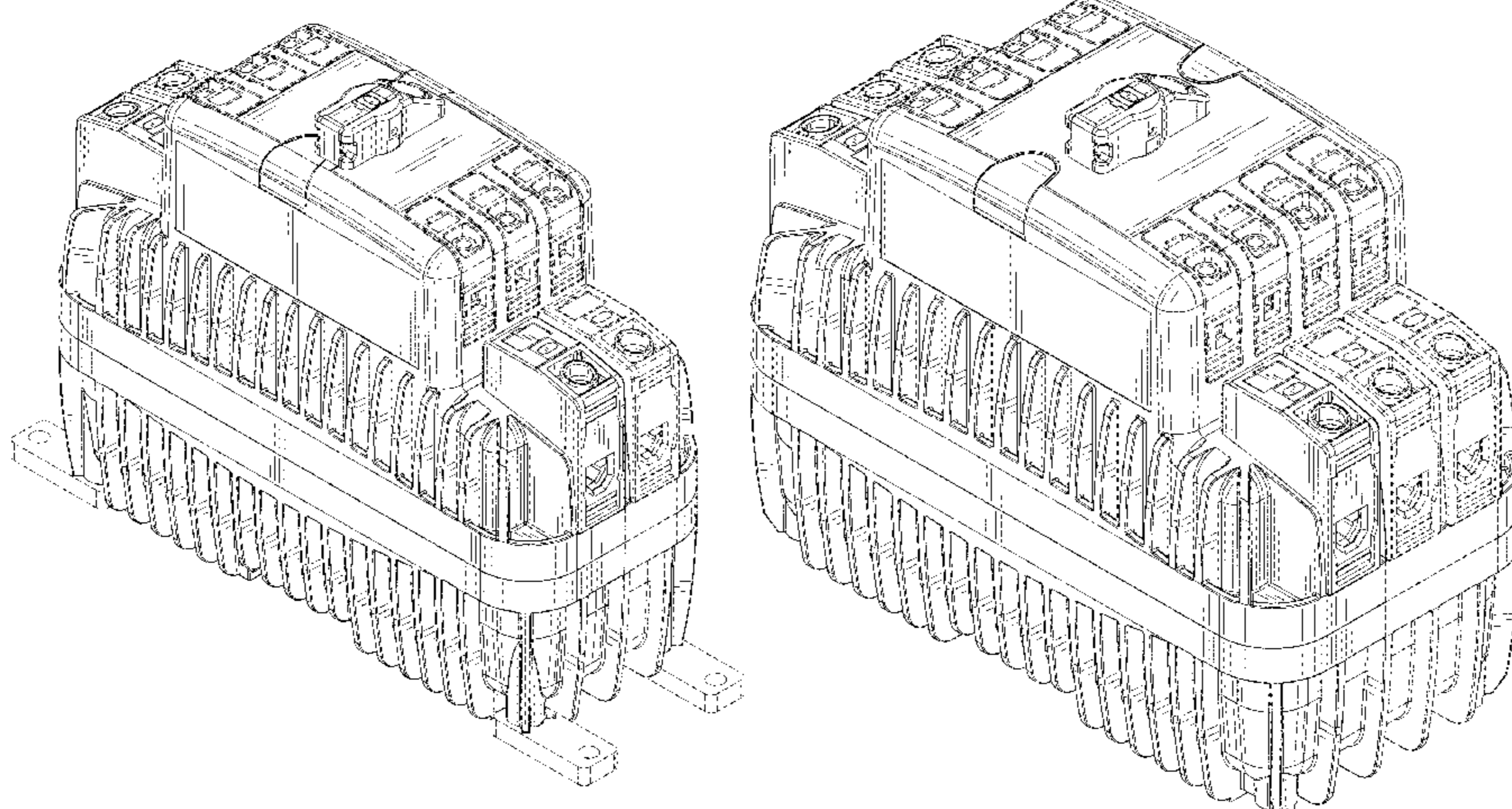


FIG. 18 is a bottom perspective view of the electronic switch of FIG. 17;  
 FIG. 19 is a right side view of the electronic switch of FIG. 17;  
 FIG. 20 is a left side view of the electronic switch of FIG. 17;  
 FIG. 21 is a front side view of the electronic switch of FIG. 17;  
 FIG. 22 is a rear side view of the electronic switch of FIG. 17;  
 FIG. 23 is a top view of the electronic switch of FIG. 17;  
 FIG. 24 is a bottom view of the electronic switch of FIG. 17;  
 FIG. 25 is a top perspective view of a fourth embodiment for the new design comprising an electronic switch;  
 FIG. 26 is a bottom perspective view of the electronic switch of FIG. 25;  
 FIG. 27 is a right side view of the electronic switch of FIG. 25;  
 FIG. 28 is a left side view of the electronic switch of FIG. 25;  
 FIG. 29 is a front side view of the electronic switch of FIG. 25;  
 FIG. 30 is a rear side view of the electronic switch of FIG. 25;  
 FIG. 31 is a top view of the electronic switch of FIG. 25;  
 FIG. 32 is a bottom view of the electronic switch of FIG. 25;  
 FIG. 33 is a top perspective view of a fifth embodiment for our new design comprising an electronic terminal;  
 FIG. 34 is a bottom perspective view of the electronic switch of FIG. 33;  
 FIG. 35 is a right side view of the electronic switch of FIG. 33;  
 FIG. 36 is a left side view of the electronic switch of FIG. 33;  
 FIG. 37 is a front side view of the electronic switch of FIG. 33;  
 FIG. 38 is a rear side view of the electronic switch of FIG. 33;  
 FIG. 39 is a top view of the electronic switch of FIG. 33;  
 FIG. 40 is a bottom view of the electronic switch of FIG. 33;  
 FIG. 41 is a top perspective view of a sixth embodiment for the new design comprising an electronic switch;

FIG. 42 is a bottom perspective view of the electronic switch of FIG. 41;  
 FIG. 43 is a right side view of the electronic switch of FIG. 41;  
 FIG. 44 is a left side view of the electronic switch of FIG. 41;  
 FIG. 45 is a front side view of the electronic switch of FIG. 41;  
 FIG. 46 is a rear side view of the electronic switch of FIG. 41;  
 FIG. 47 is a top view of the electronic switch of FIG. 41;  
 and,  
 FIG. 48 is a bottom view of the electronic switch of FIG. 41.  
 The broken lines and unshaded surfaces shown in the drawings illustrate portions of the device that form no part of the claimed design.

**1 Claim, 48 Drawing Sheets**

**Related U.S. Application Data**

continuation-in-part of application No. 29/518,752, filed on Feb. 26, 2015, now abandoned.

(58) **Field of Classification Search**

CPC .. H01H 1/02; H01H 1/08; H01H 1/20; H01H 3/20; H01H 3/40; H01H 3/42; H01H 9/22; H01H 9/282; H01H 13/00; H01H 13/02; H01H 19/00; H01H 19/035; H01H 19/114; H01H 19/64; H01H 21/00; H01H 45/00; H01H 45/02; H01H 47/00

See application file for complete search history.

(56) **References Cited**

U.S. PATENT DOCUMENTS

D637,977 S	5/2011	Naumann et al.	
D643,374 S	8/2011	Naumann et al.	
D643,375 S	8/2011	Naumann et al.	
D666,558 S	9/2012	Naumann et al.	
D666,559 S	9/2012	Naumann et al.	
D870,052 S *	12/2019	Leischner .....	D13/158

\* cited by examiner



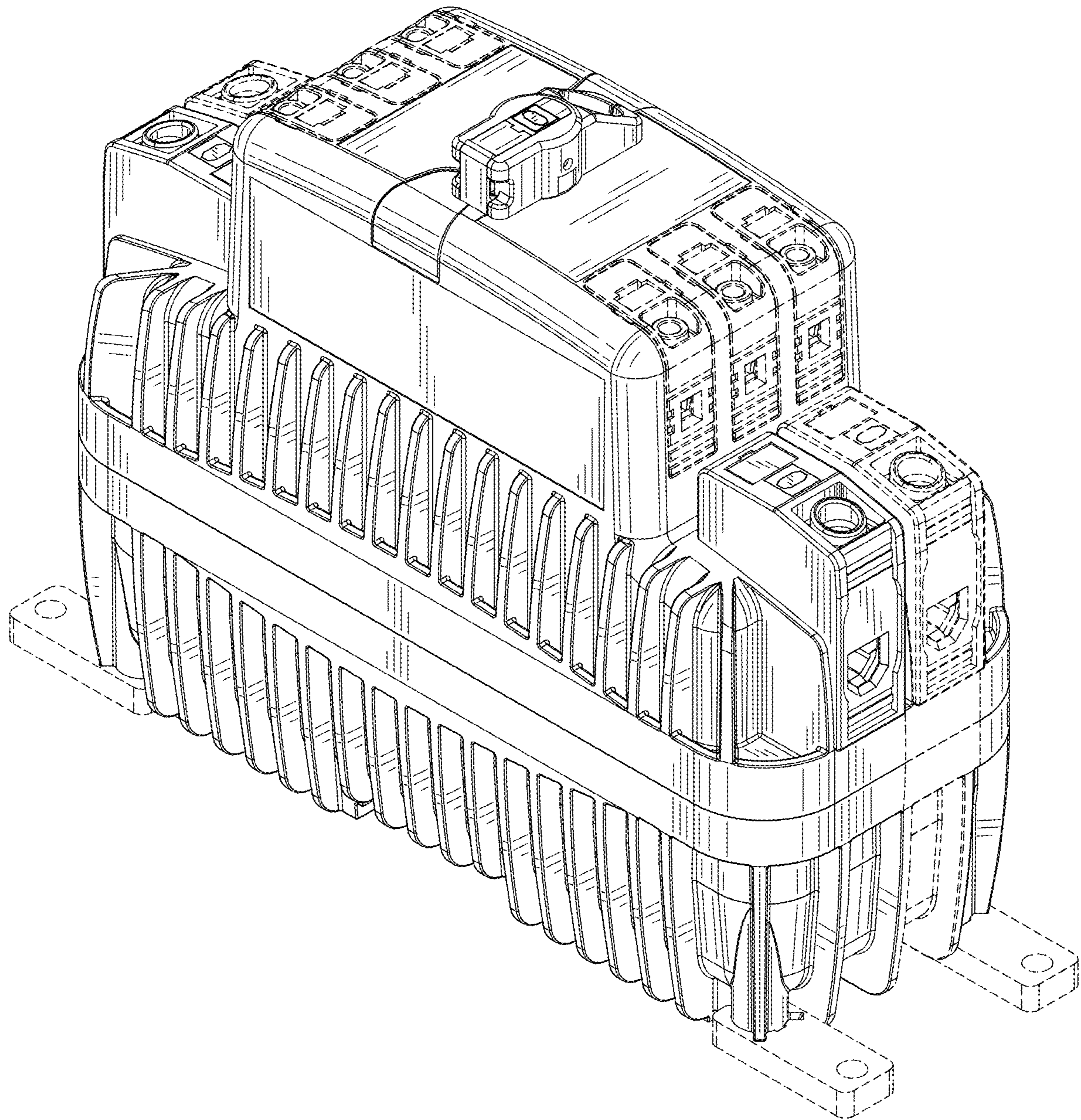


FIG. 1



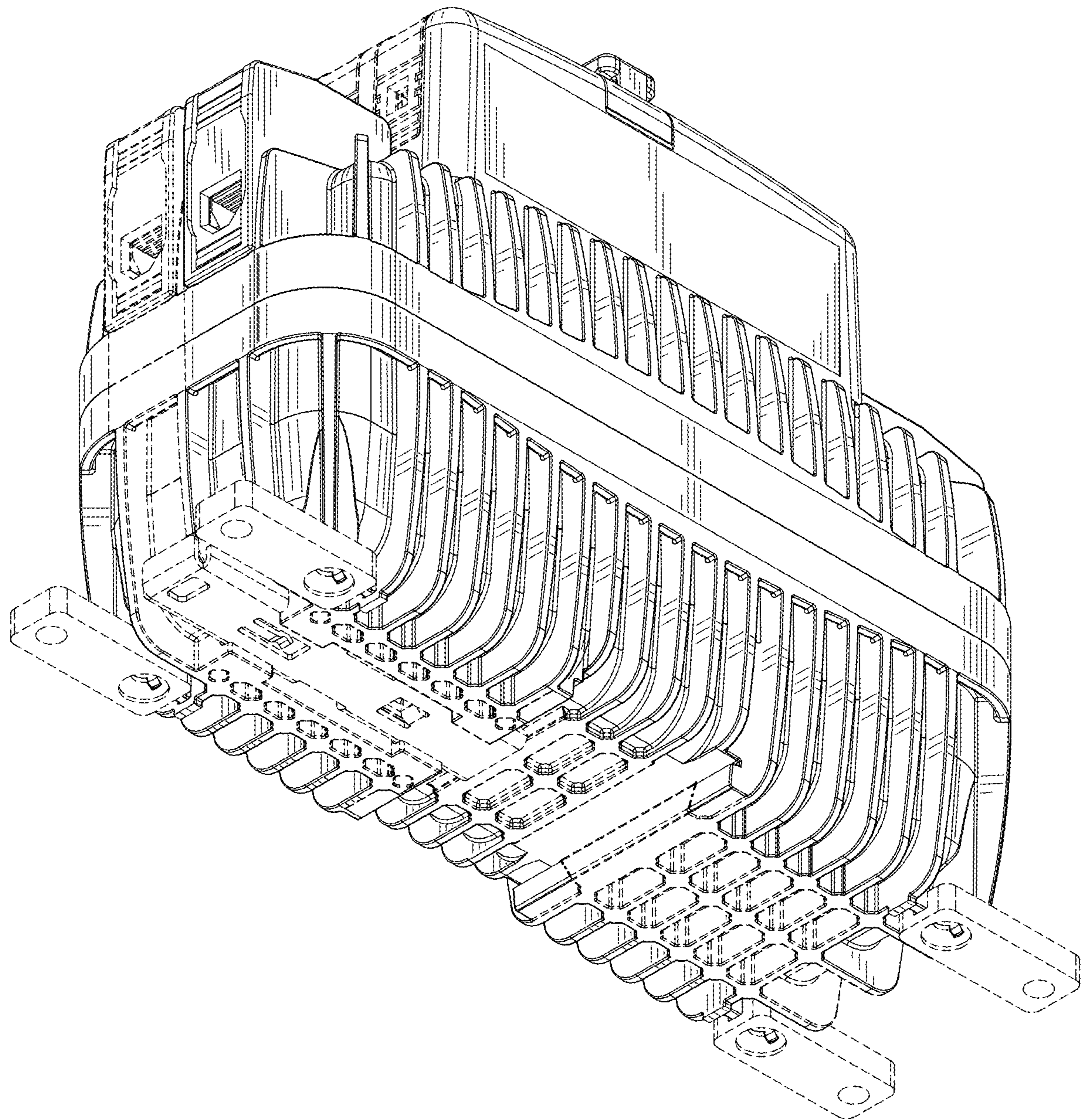


FIG. 2

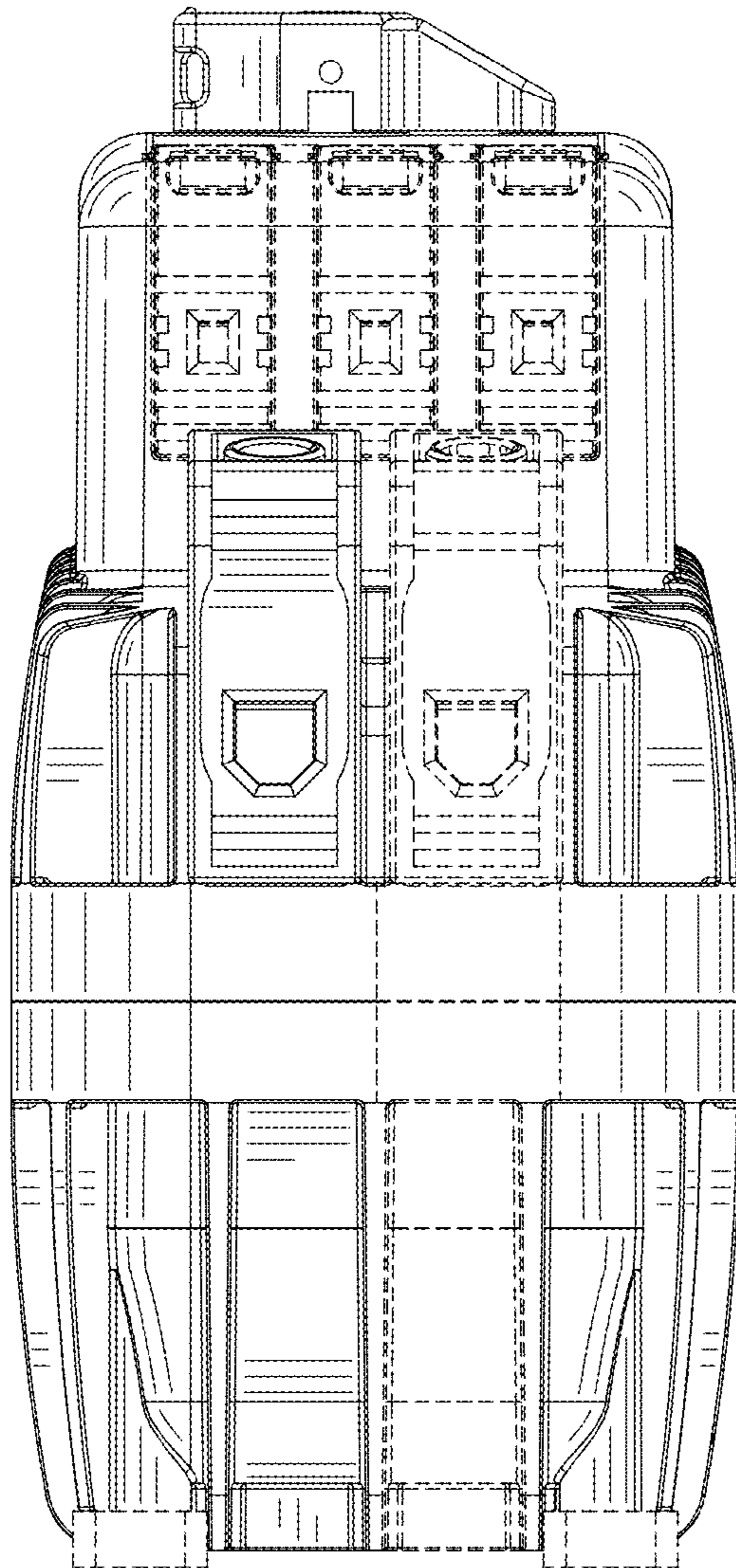


FIG. 3

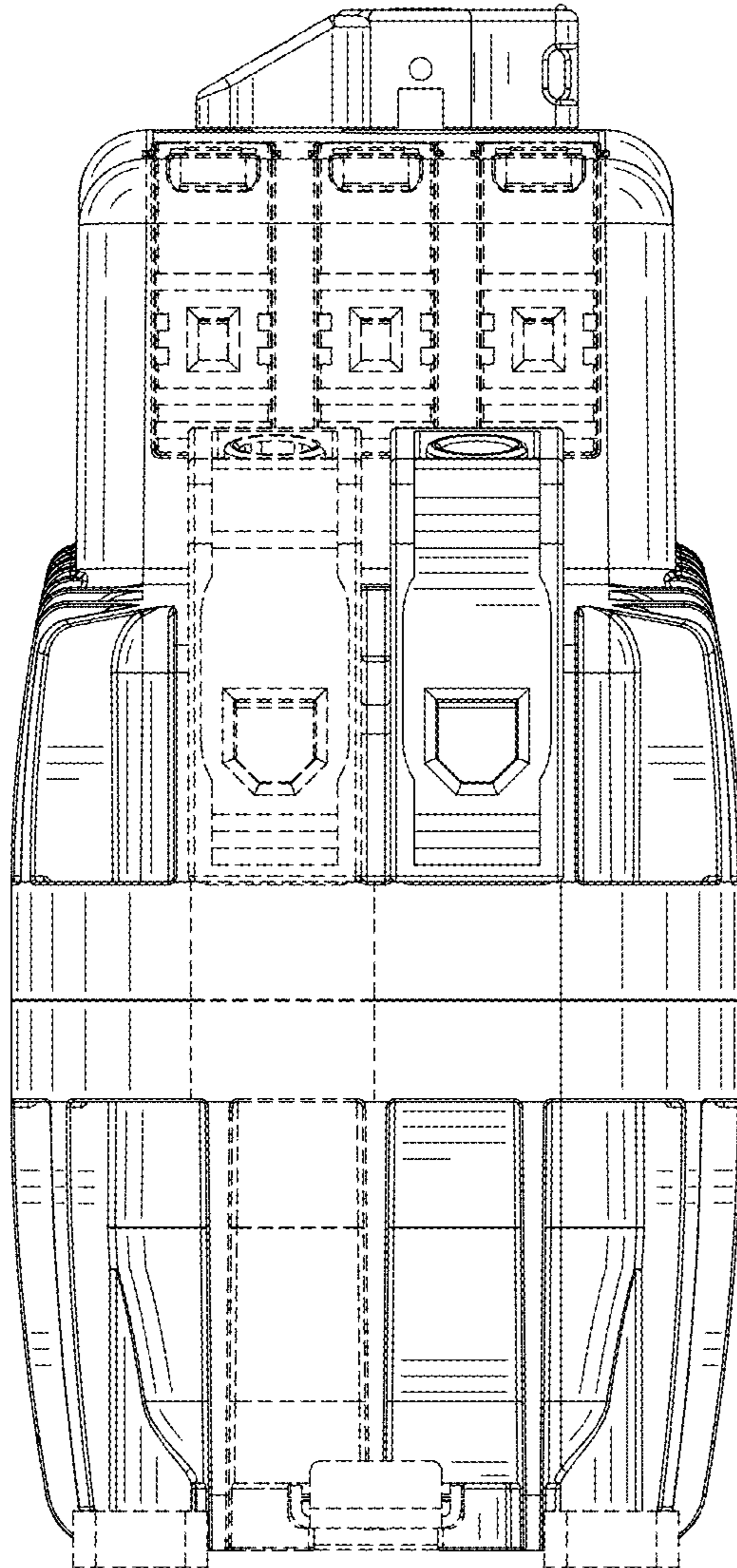


FIG. 4



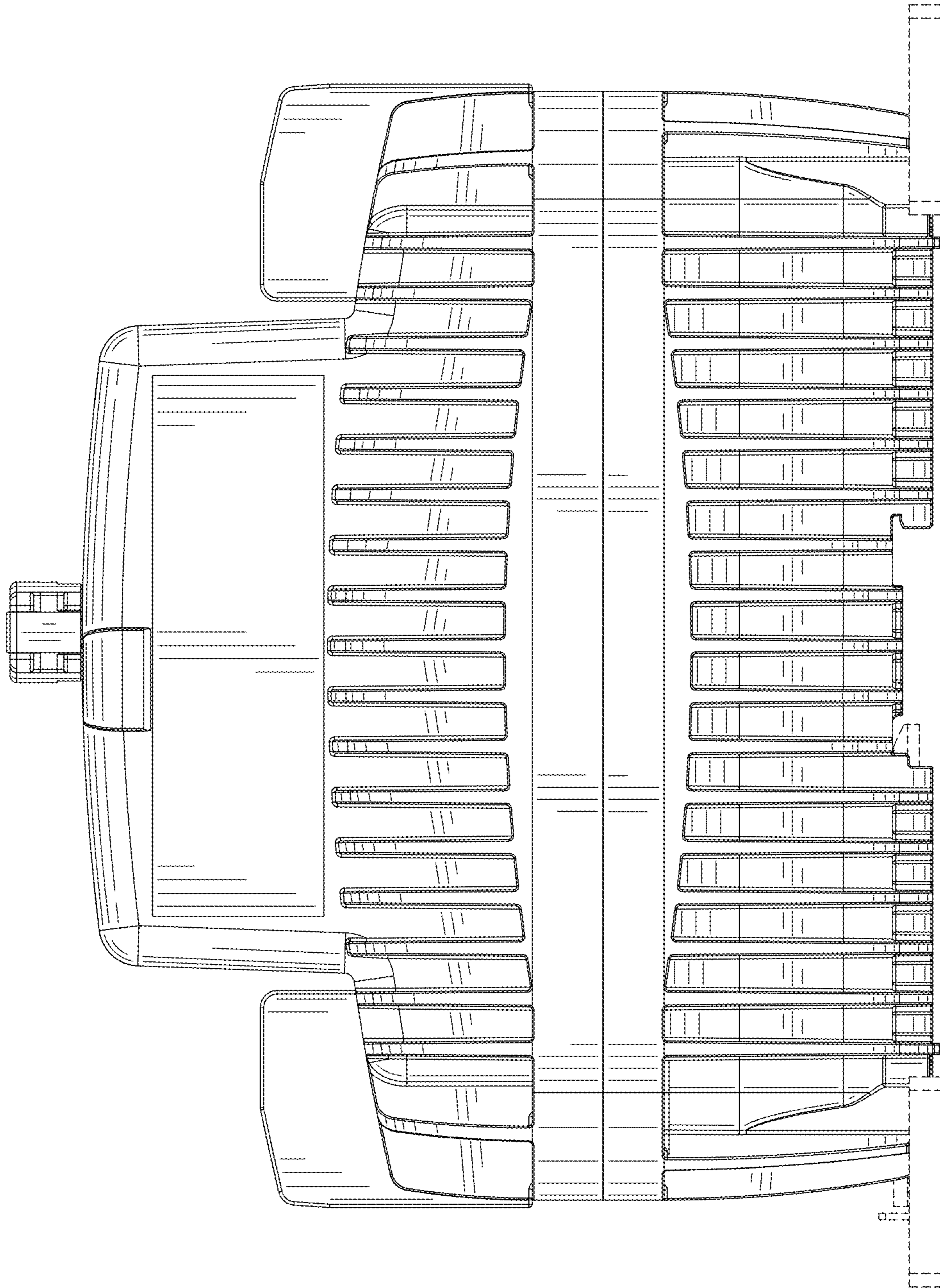


FIG. 5

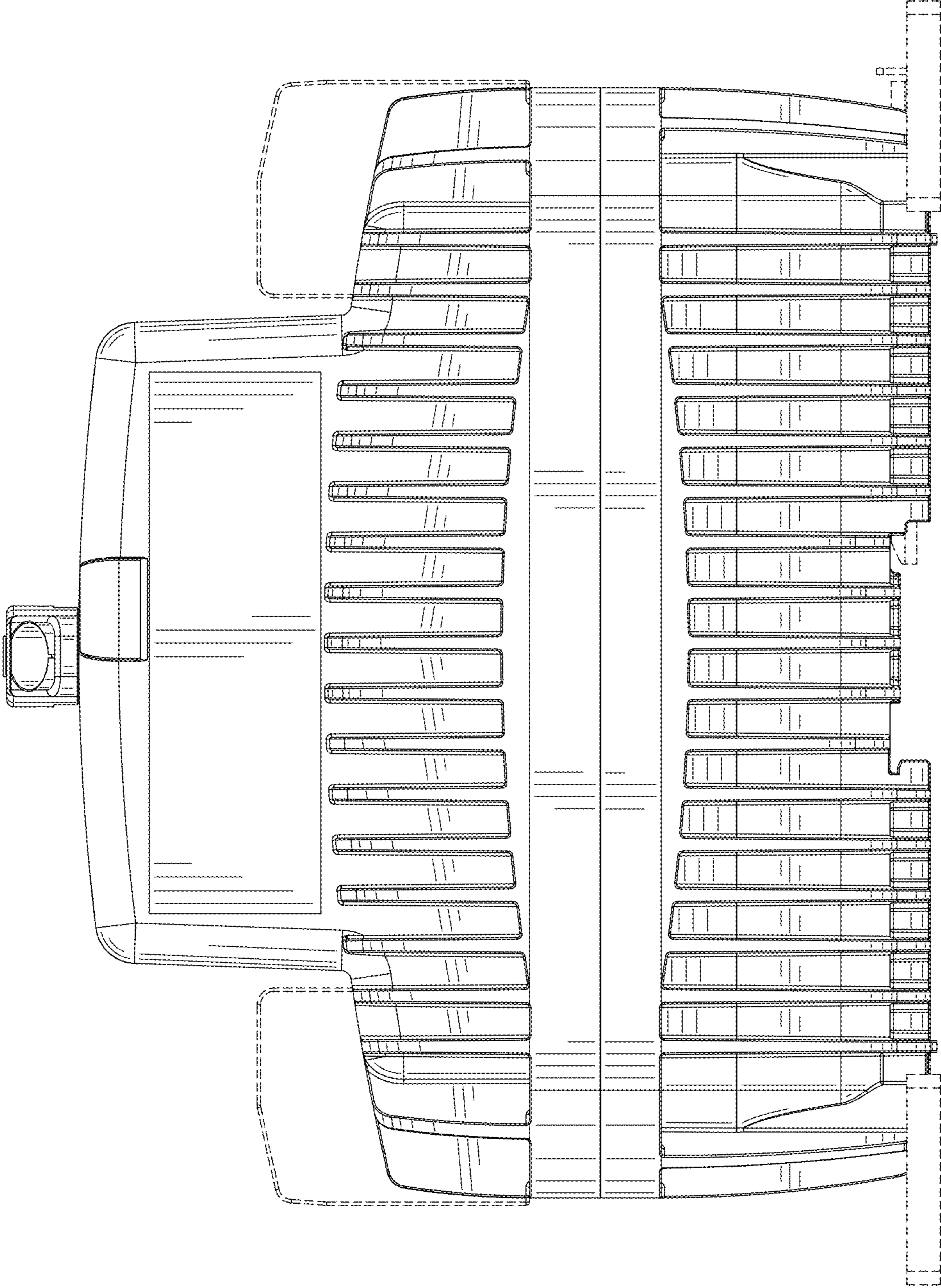


FIG. 6



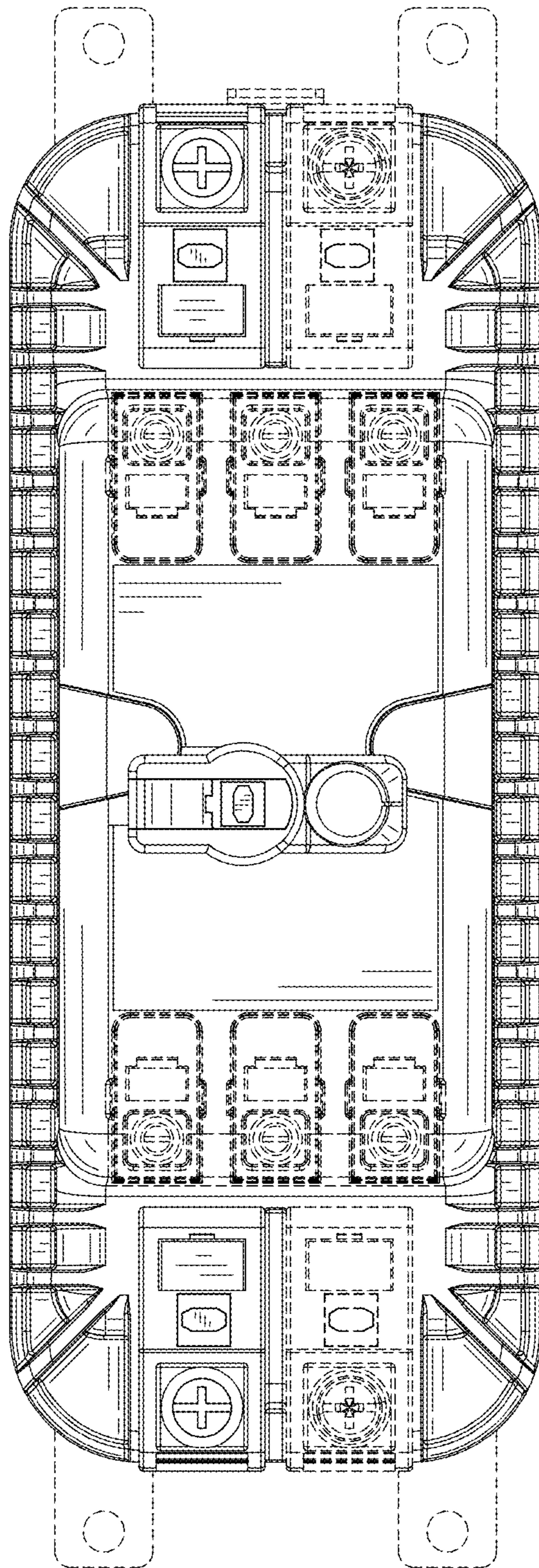


FIG. 7

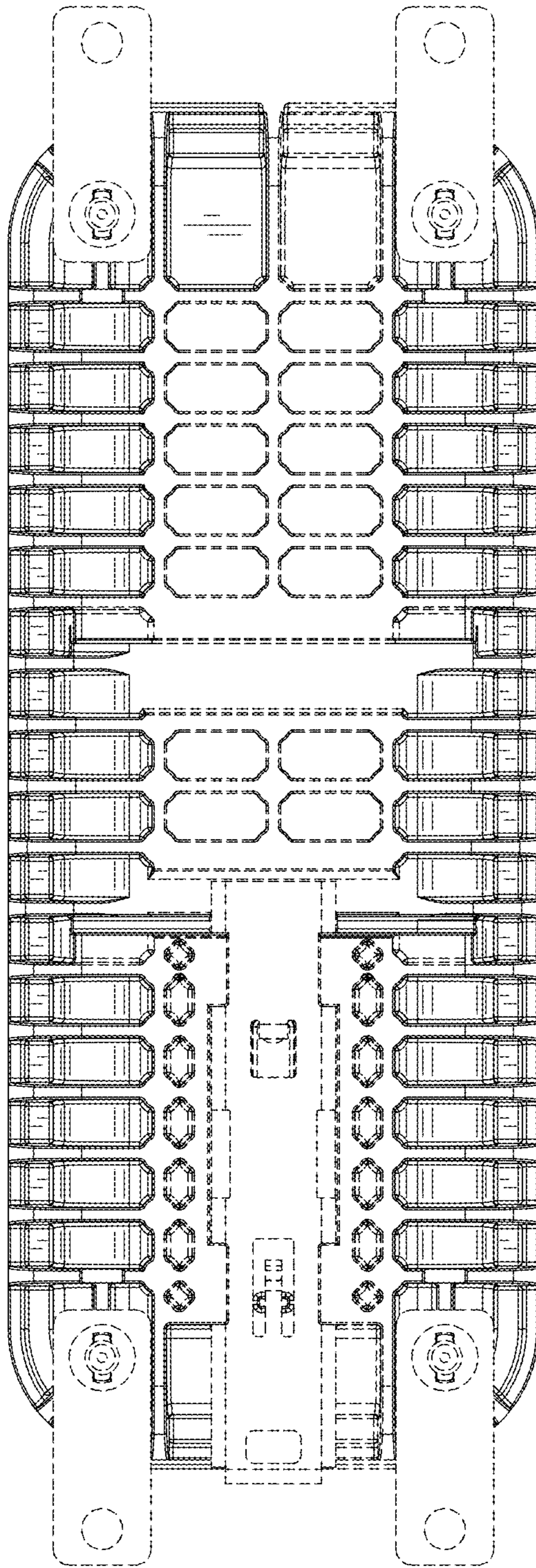


FIG. 8



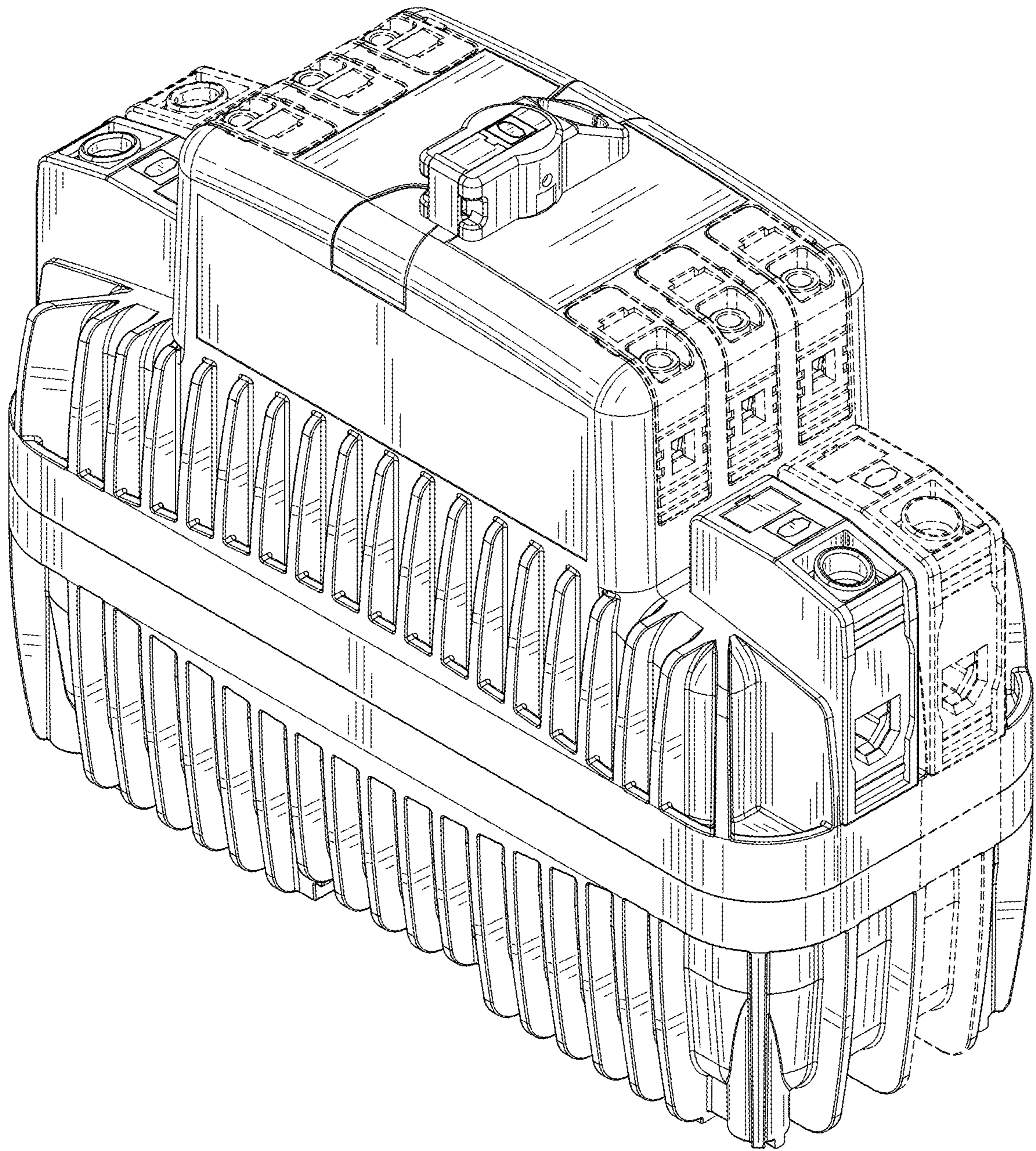


FIG. 9



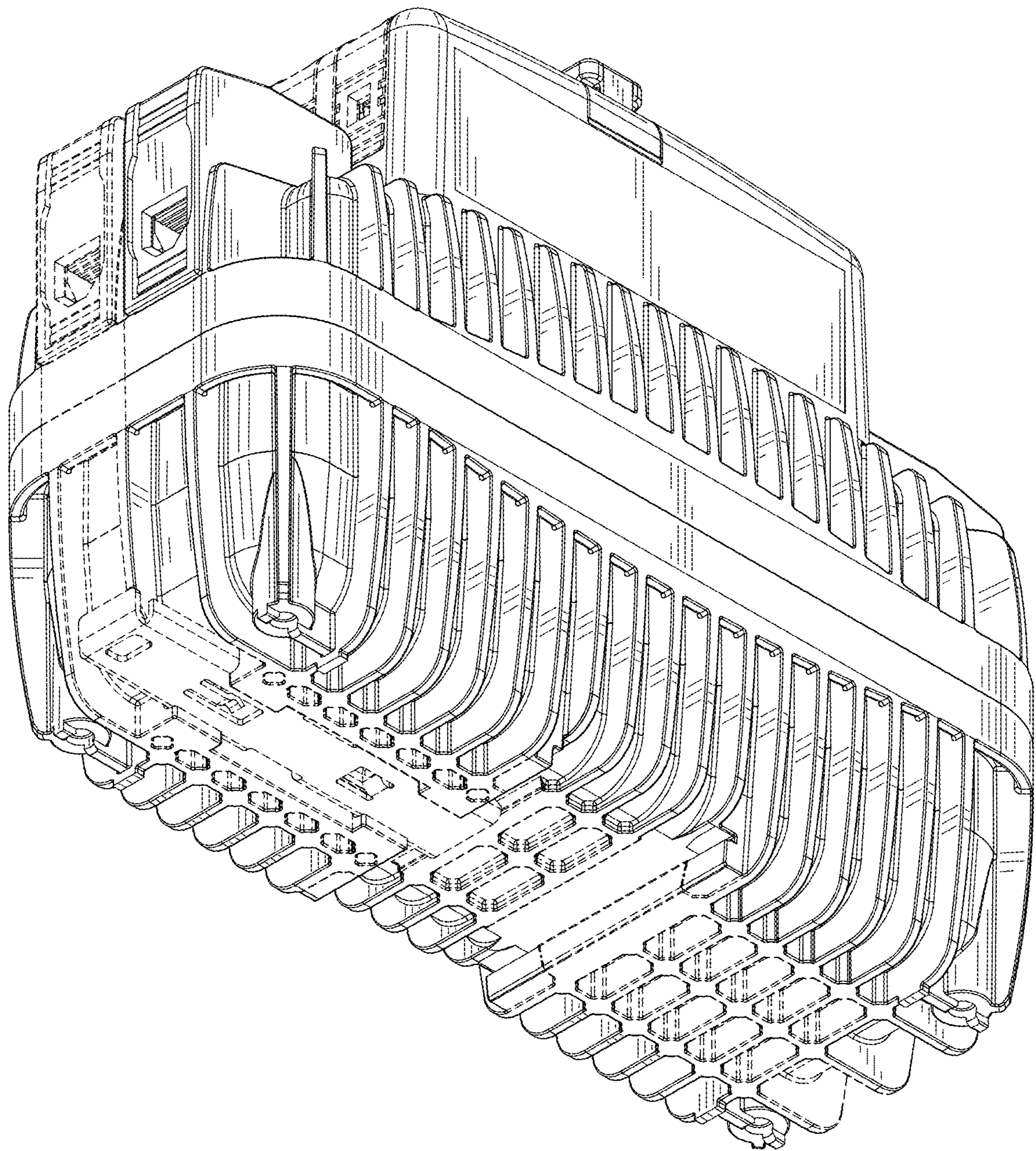


FIG. 10



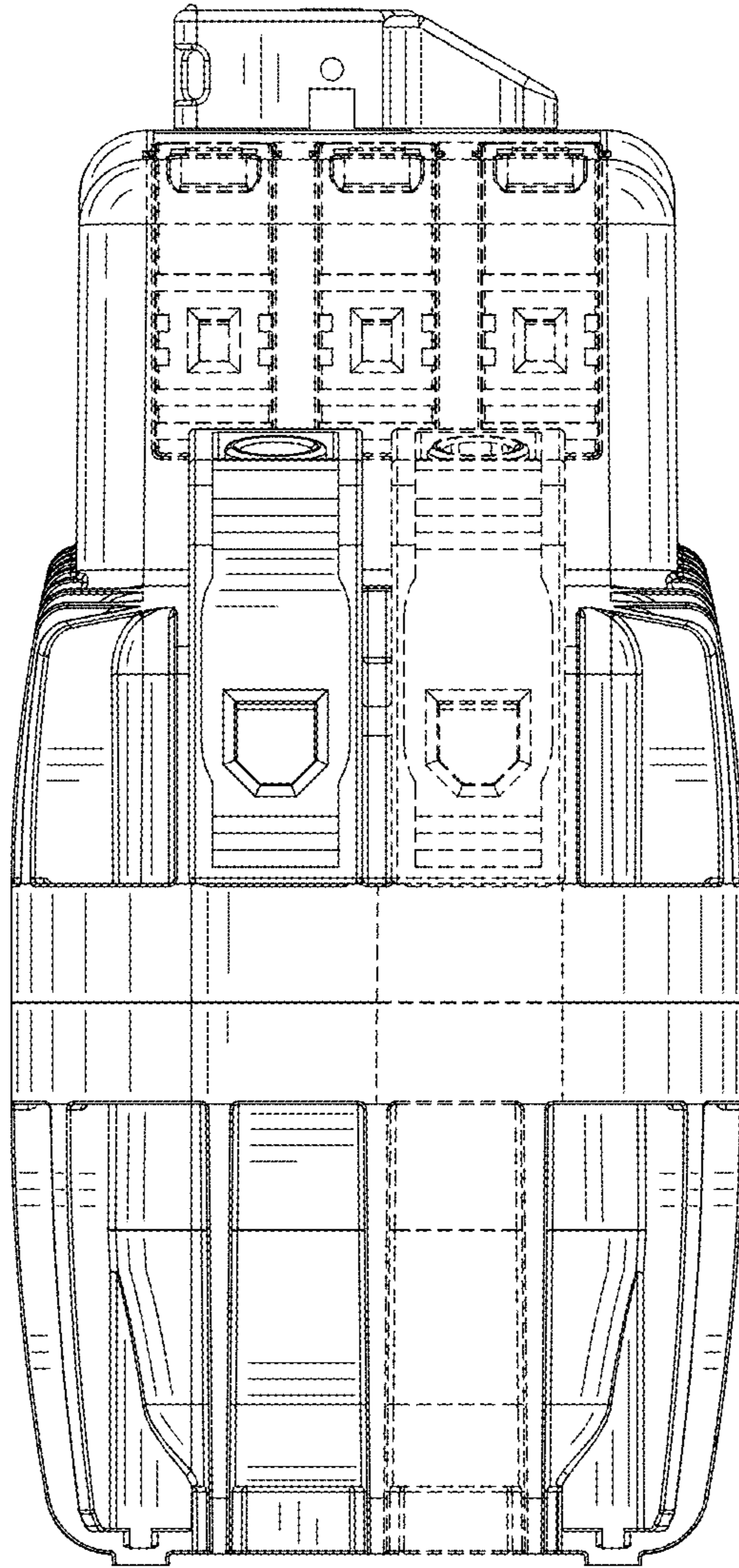


FIG. 11

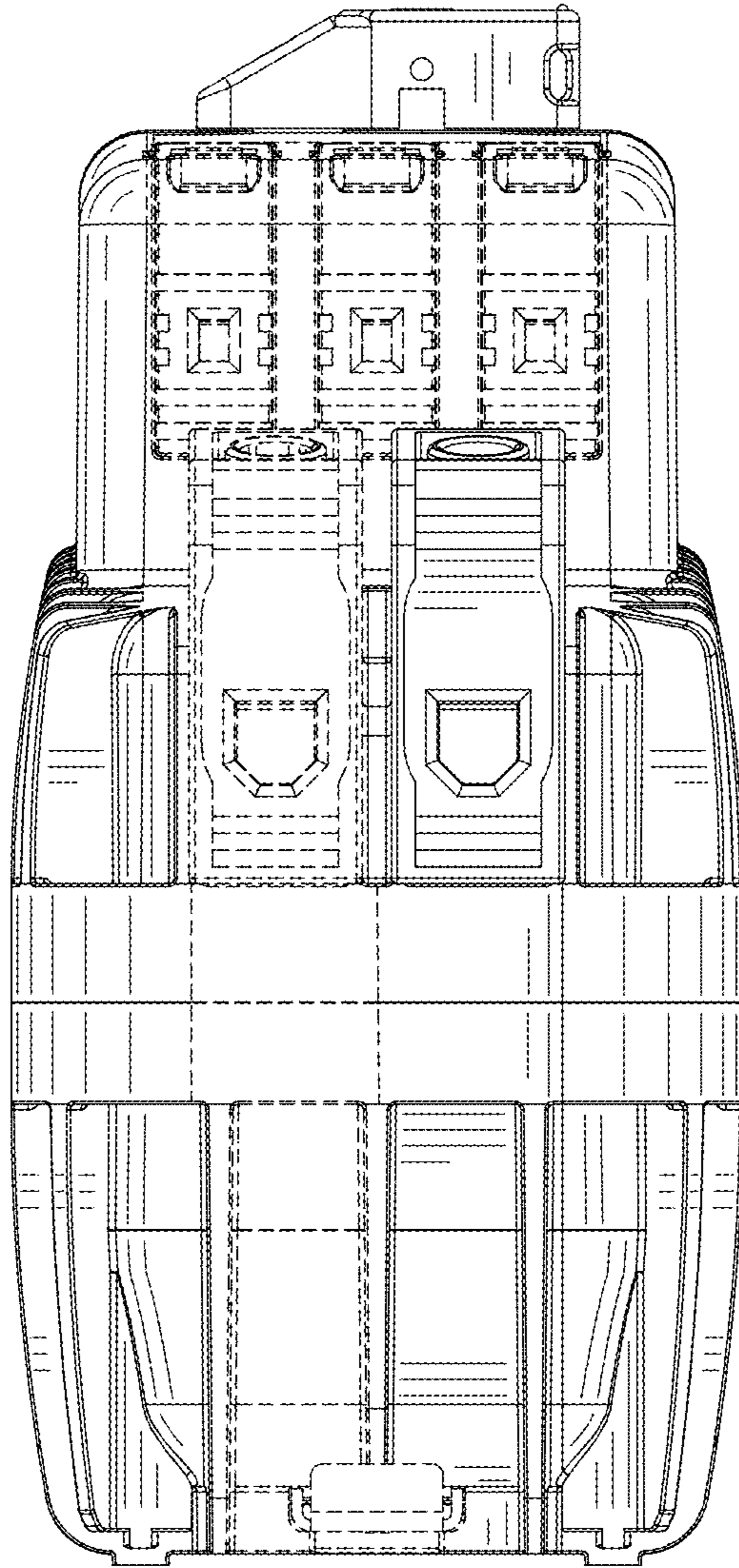


FIG. 12



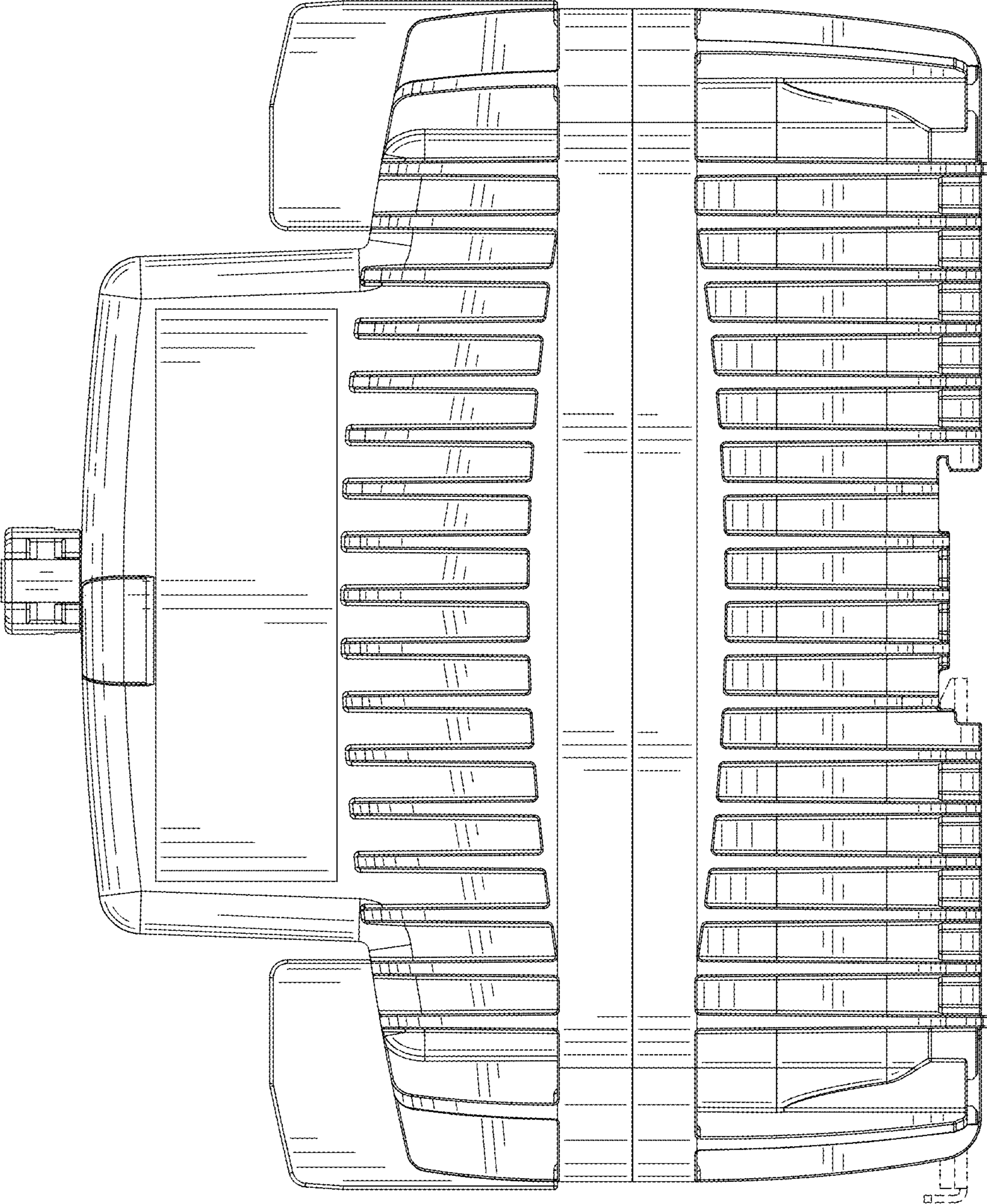


FIG. 13

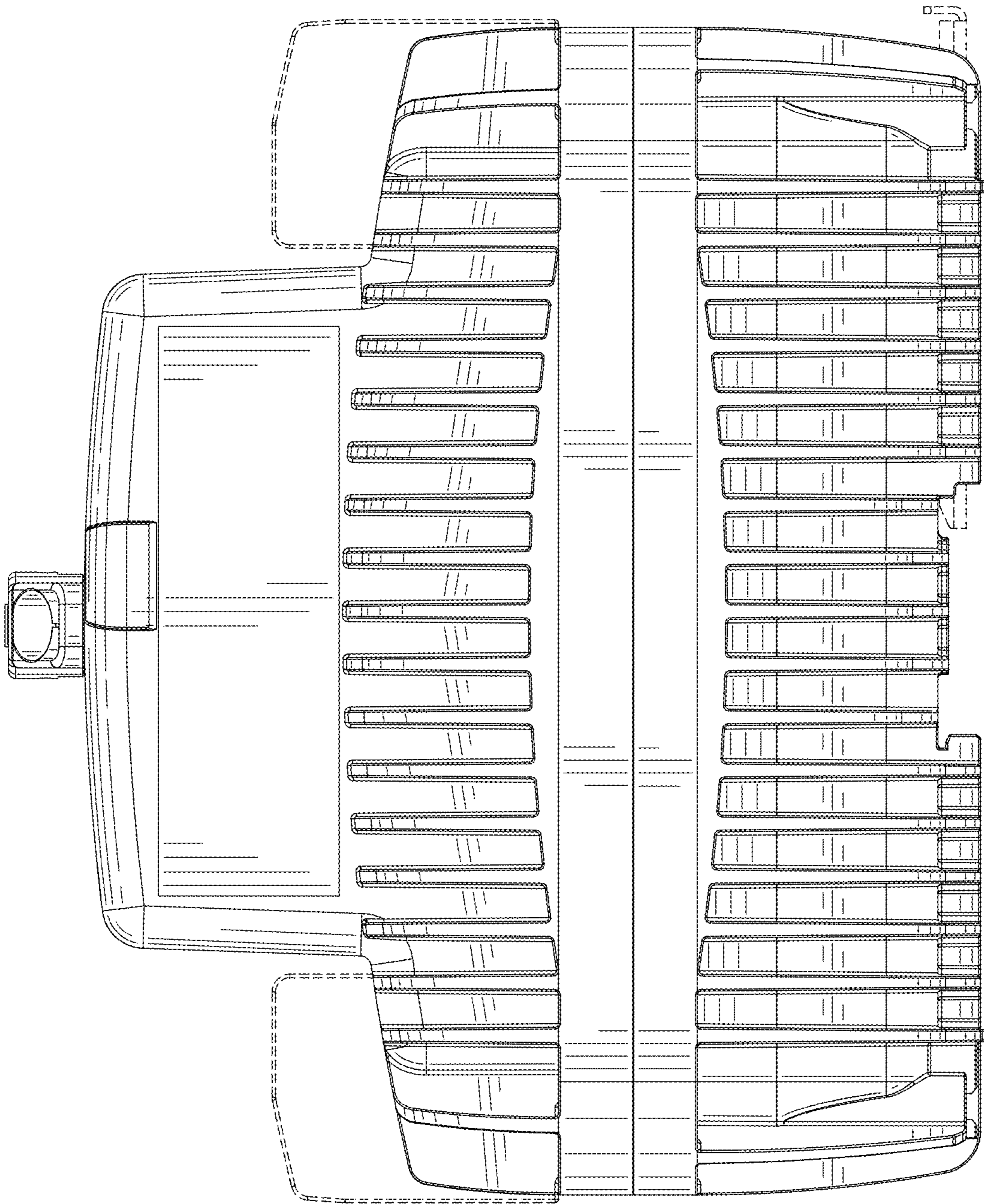


FIG. 14



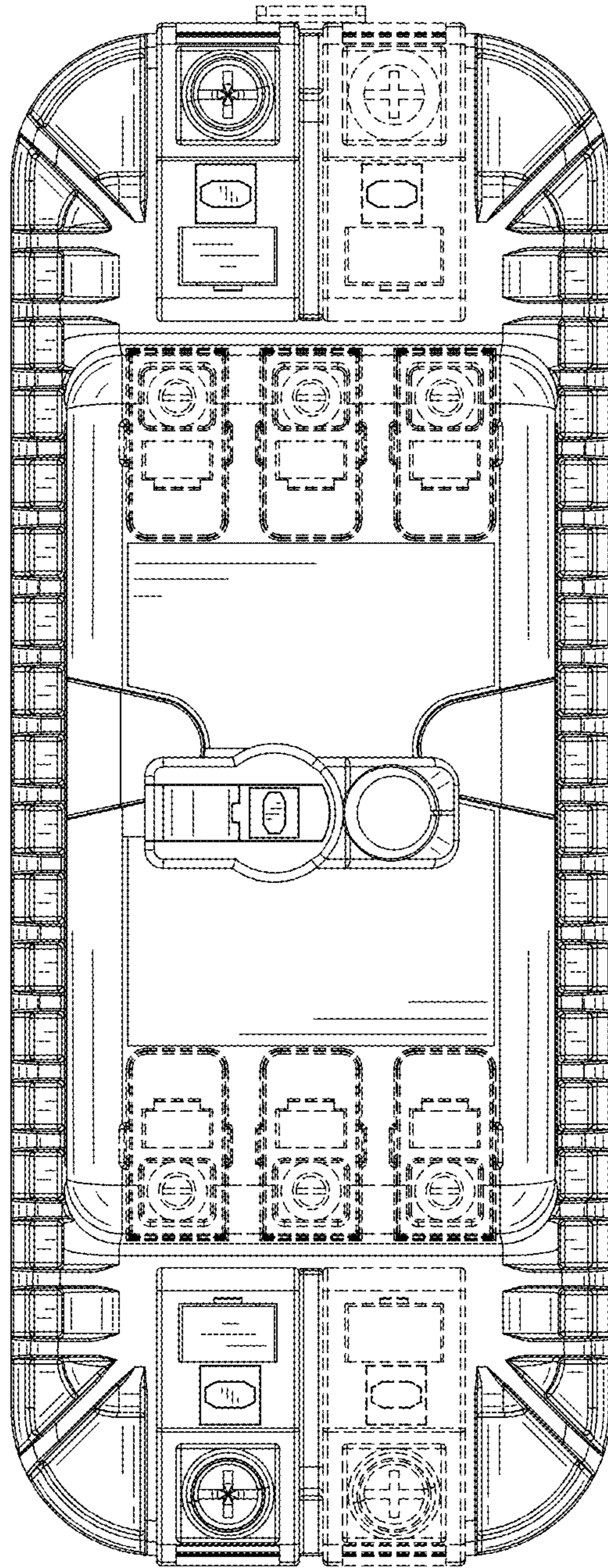


FIG. 15

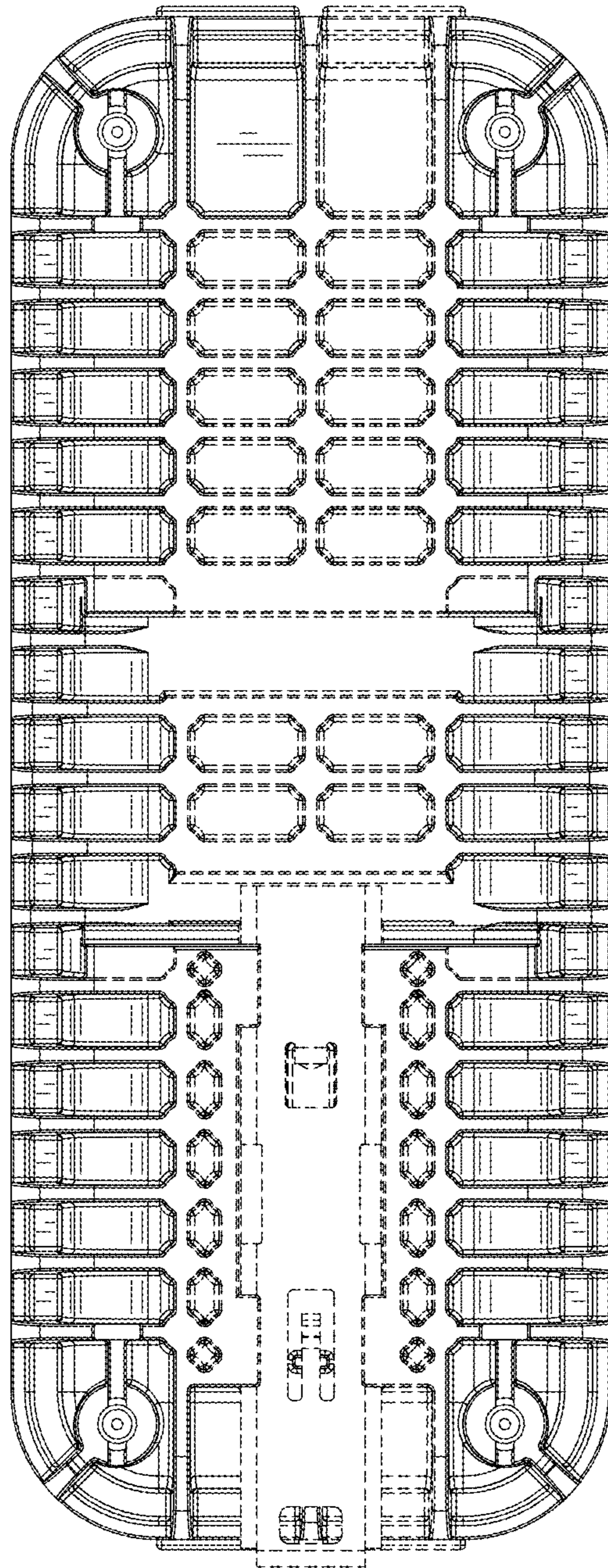


FIG. 16



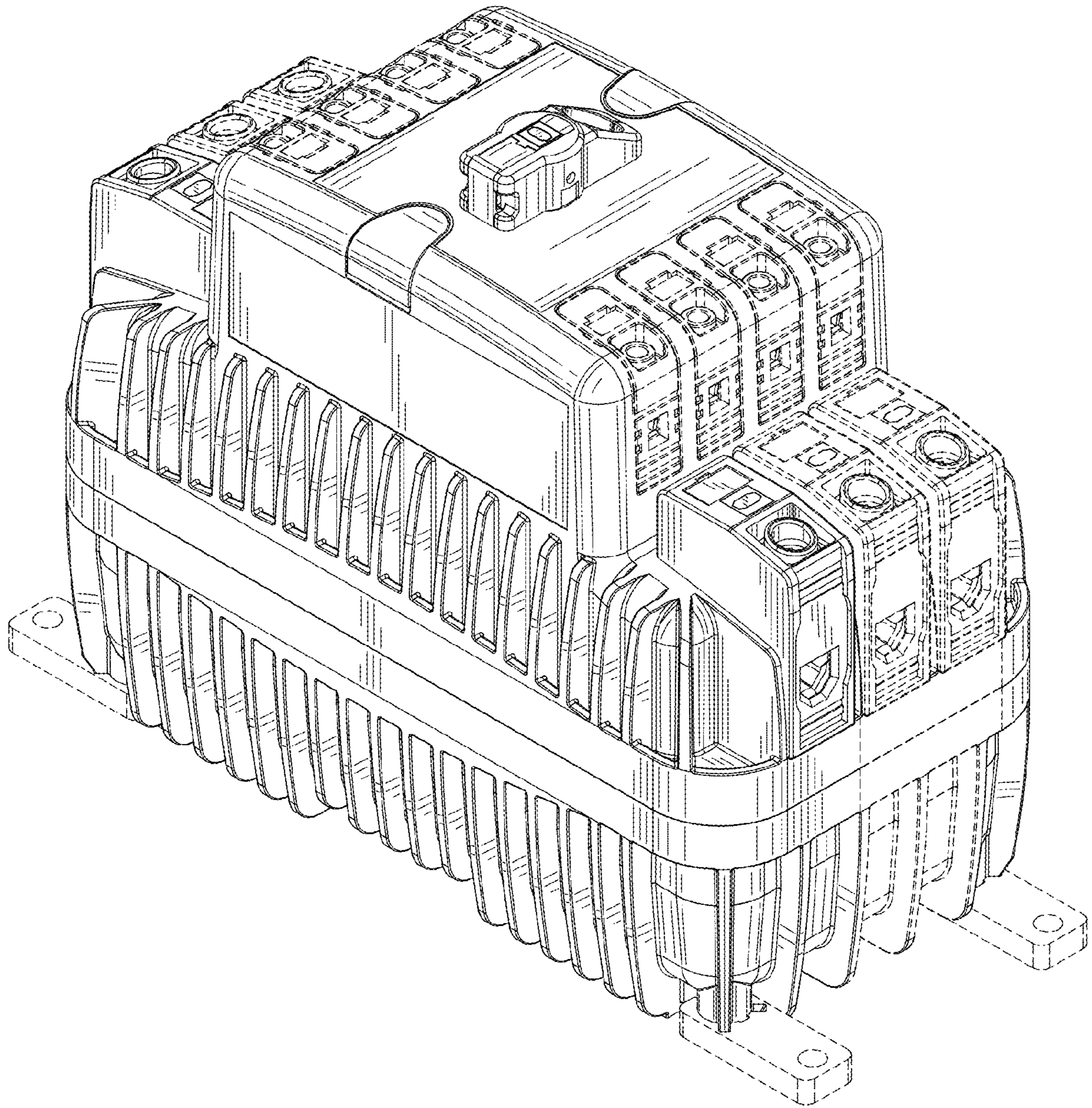


FIG. 17



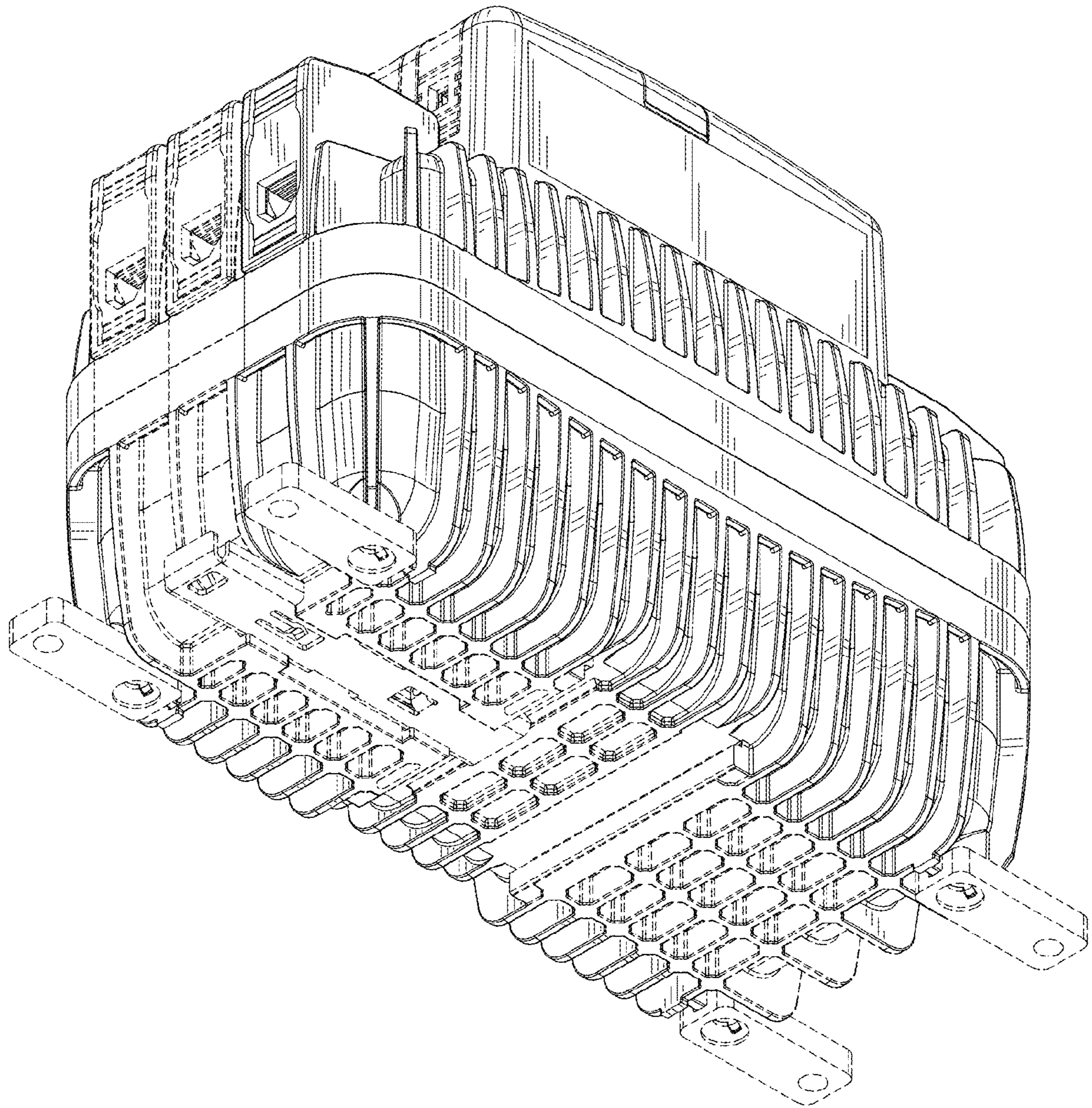


FIG. 18



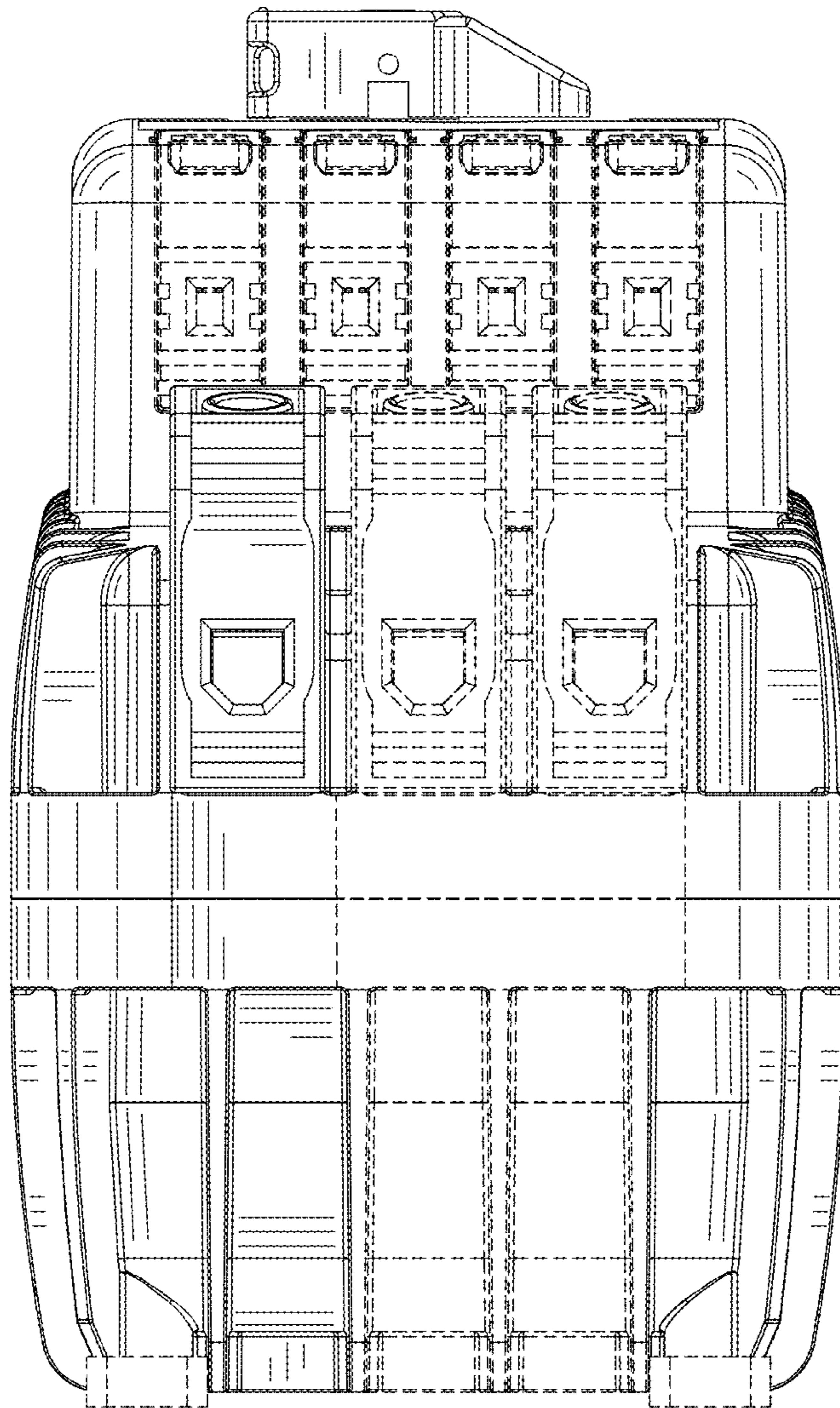


FIG. 19

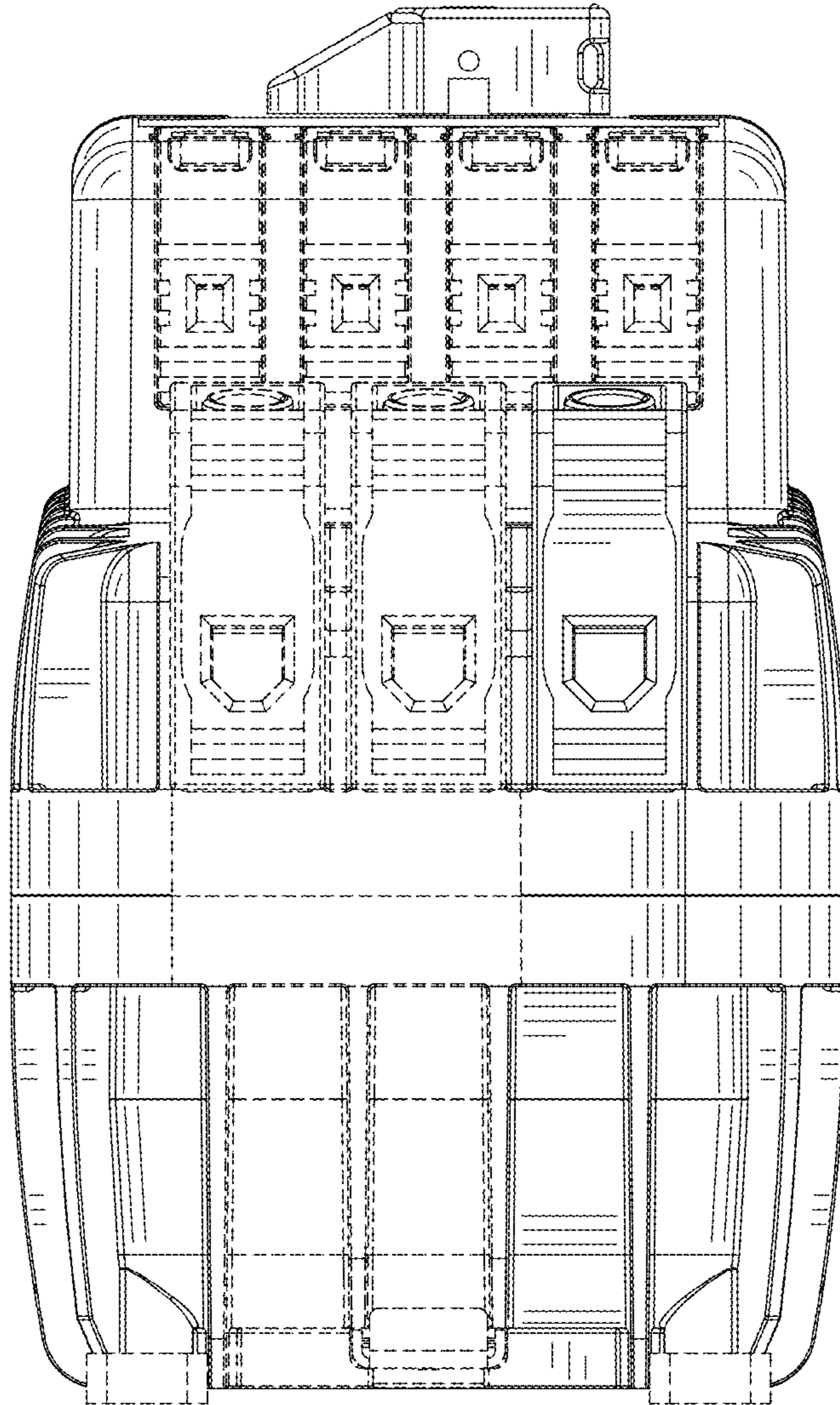


FIG. 20



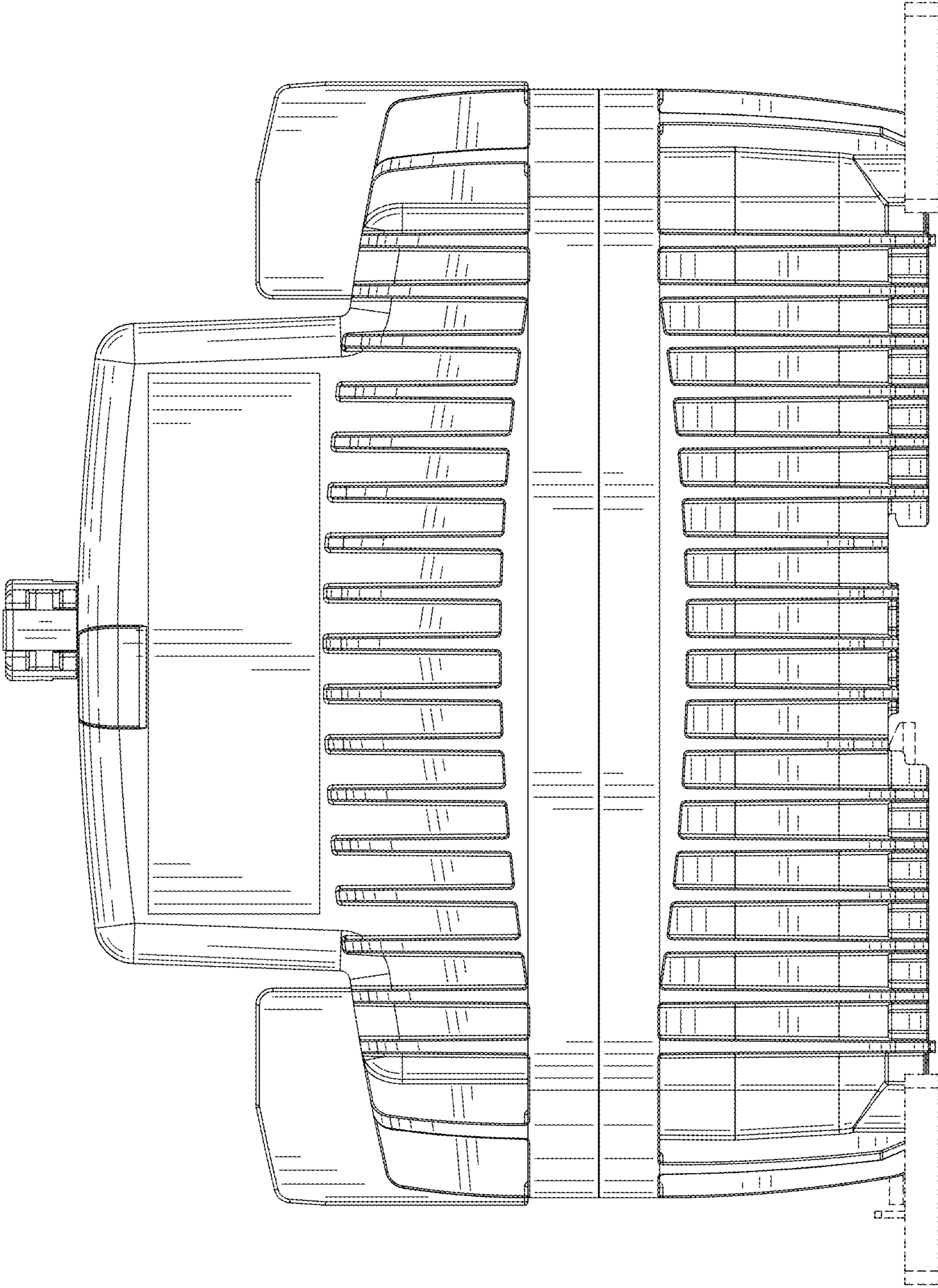


FIG. 21

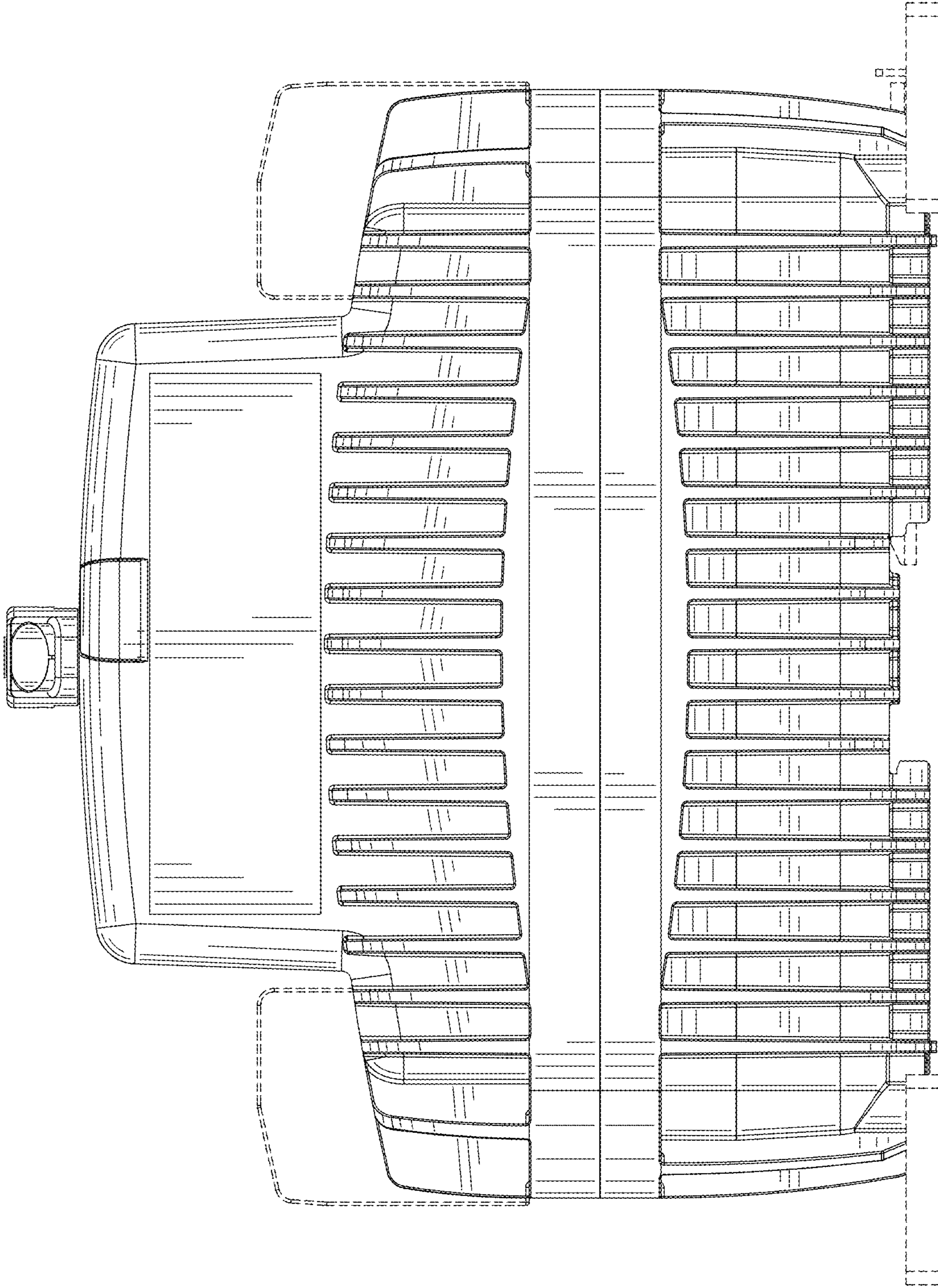


FIG. 22



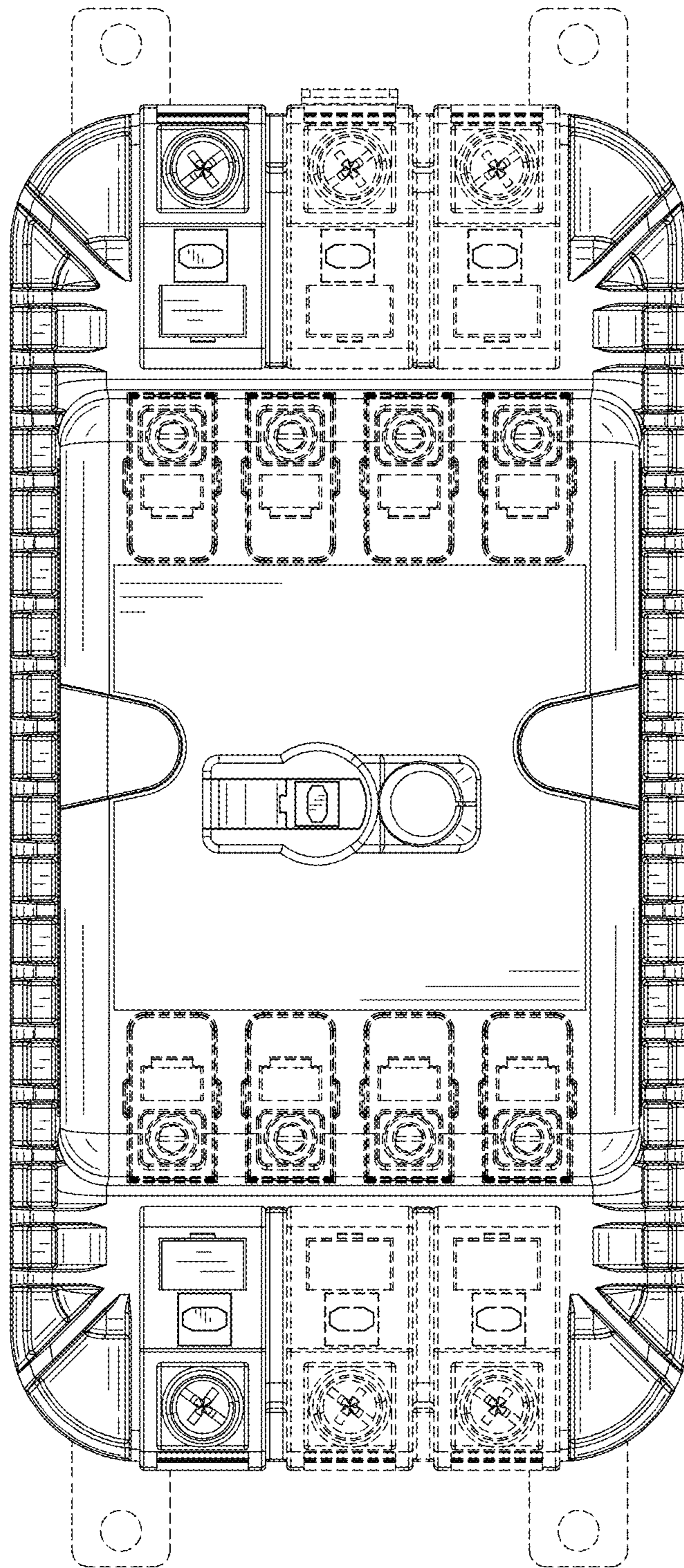


FIG. 23

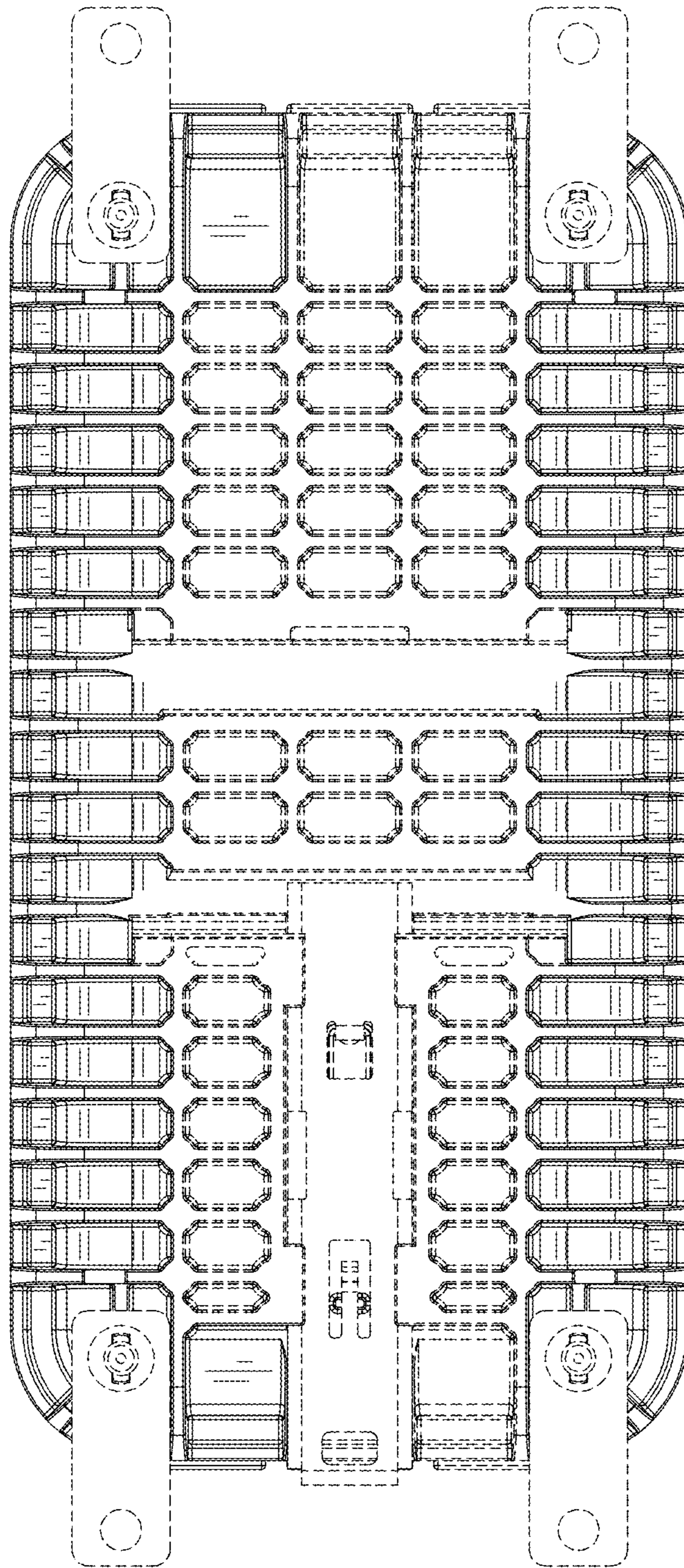


FIG. 24



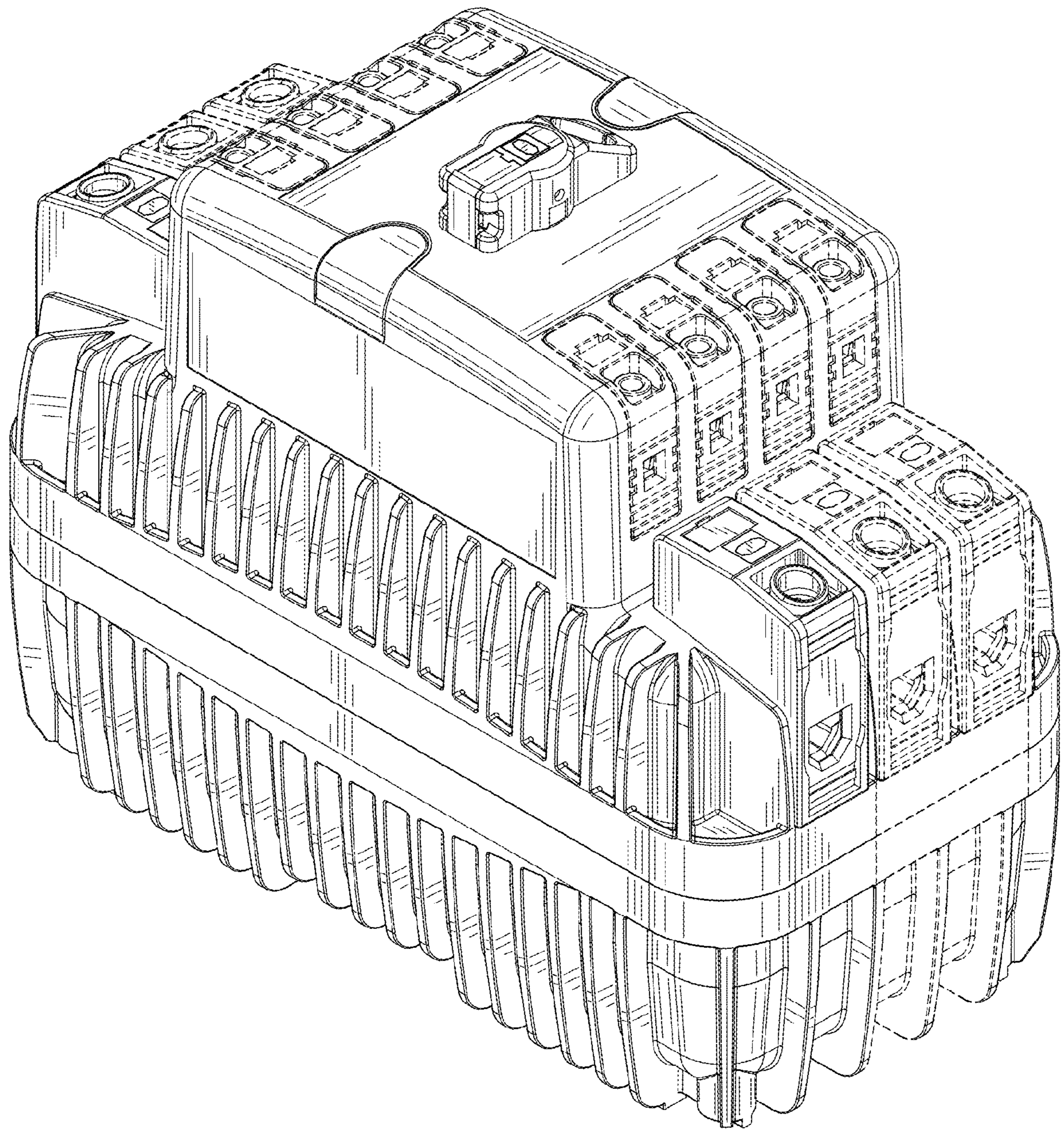


FIG. 25



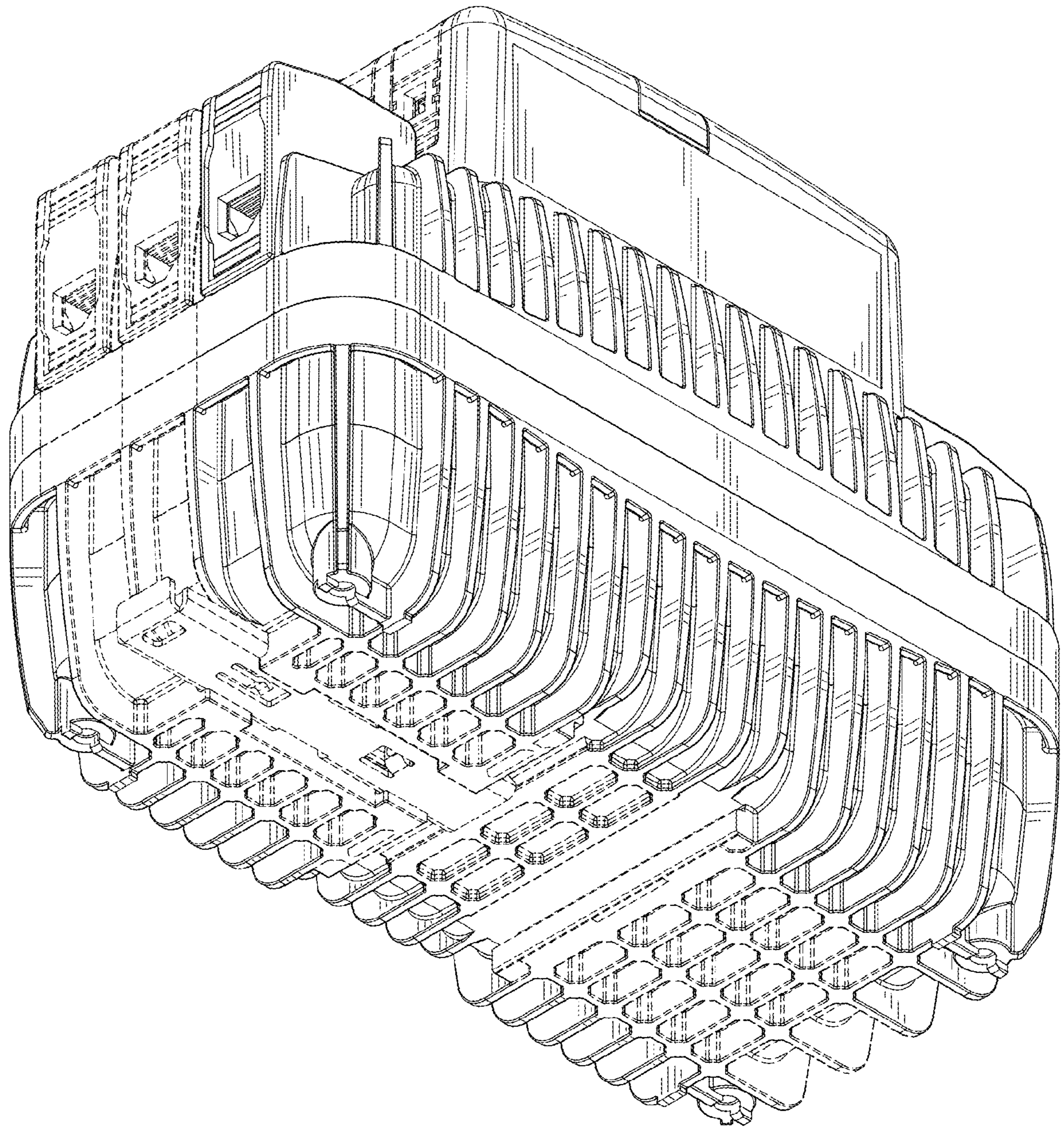


FIG. 26



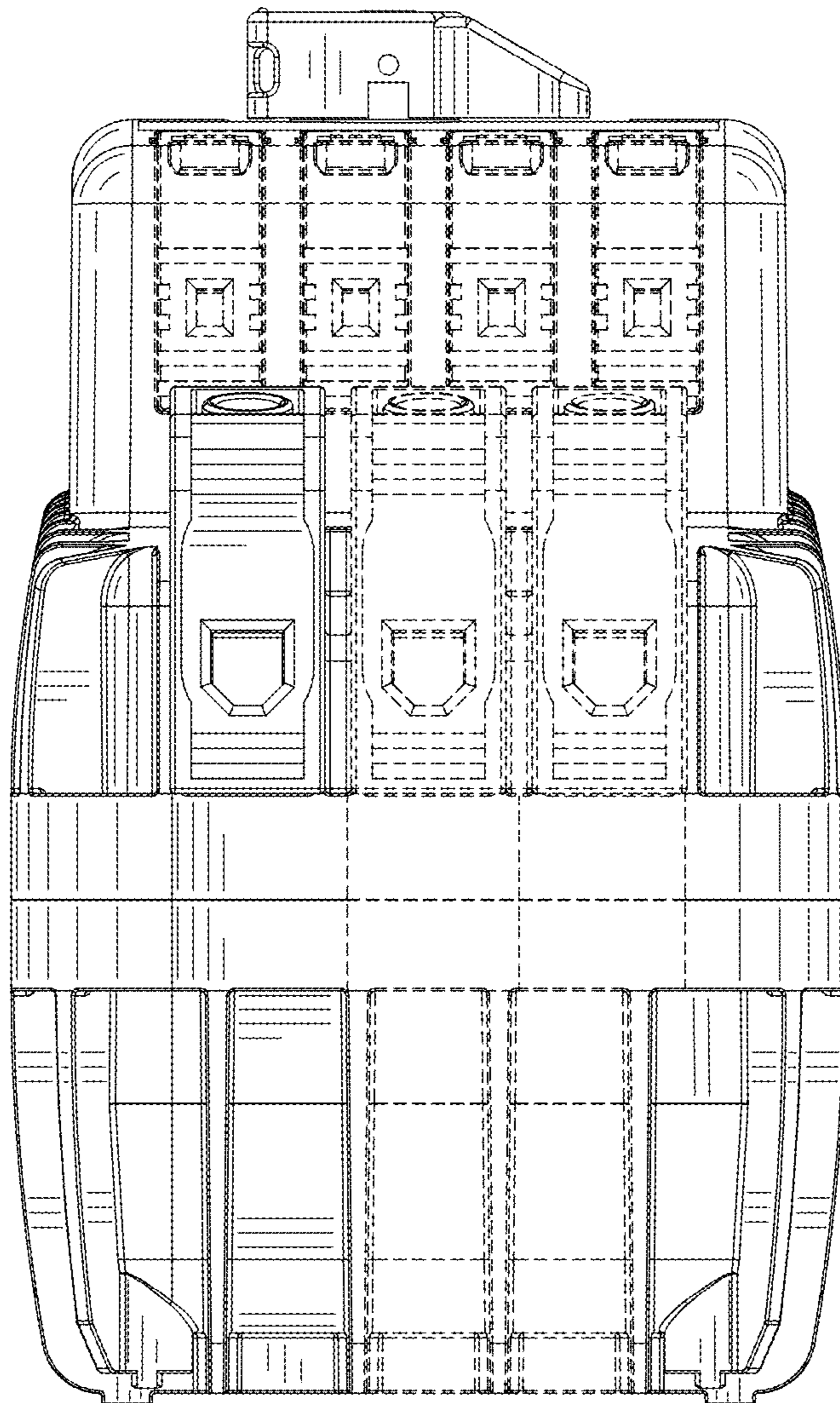


FIG. 27

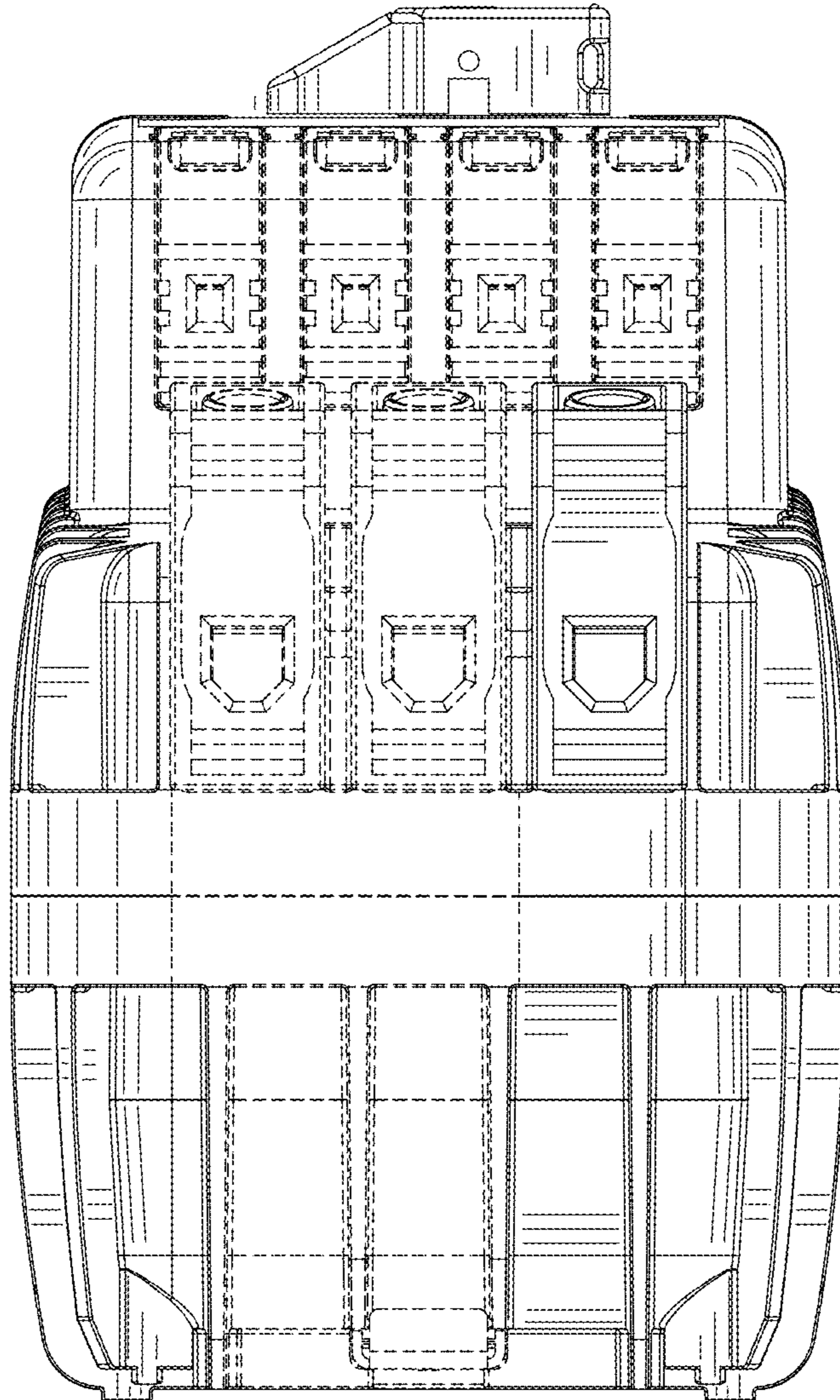


FIG. 28



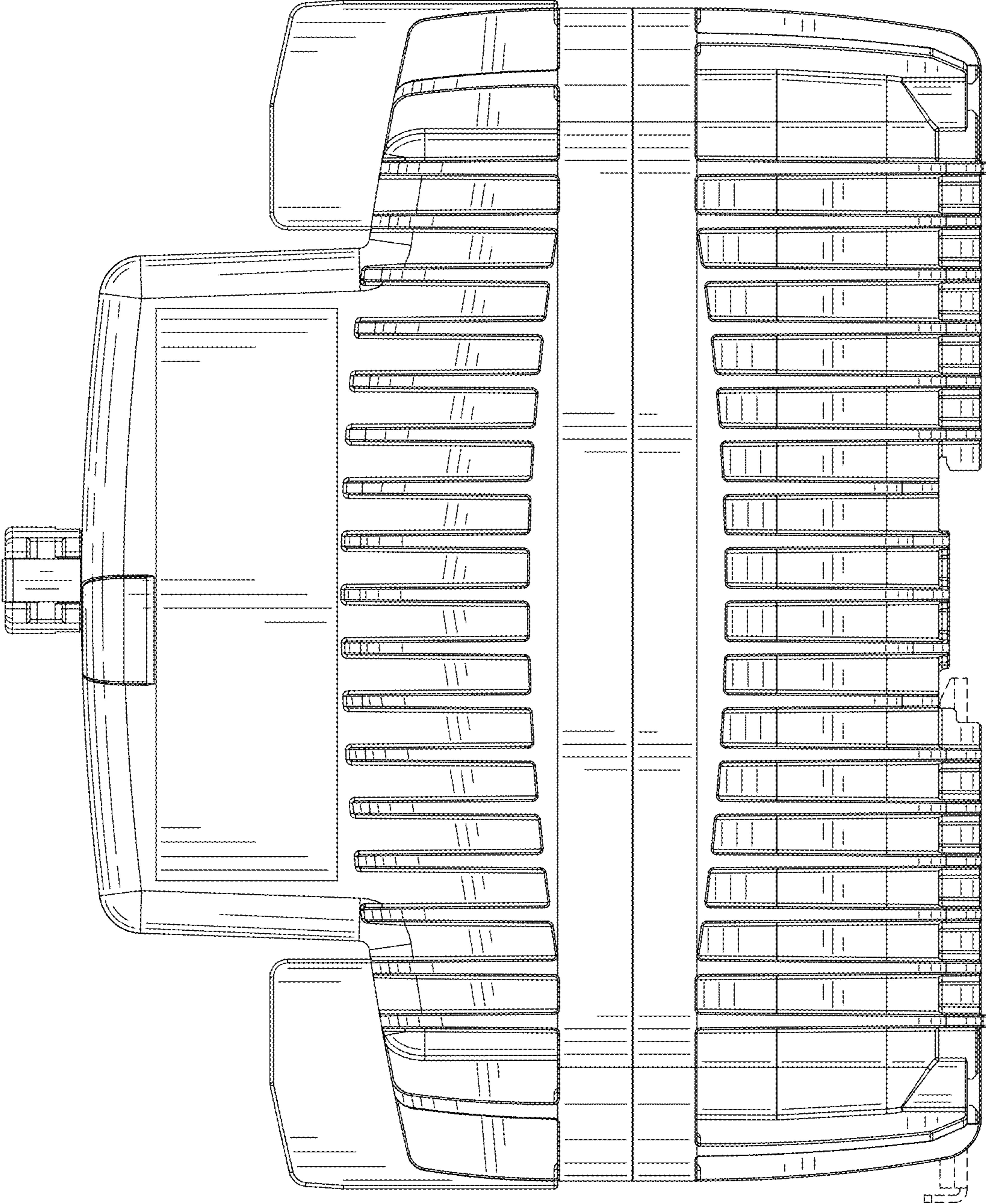


FIG. 29

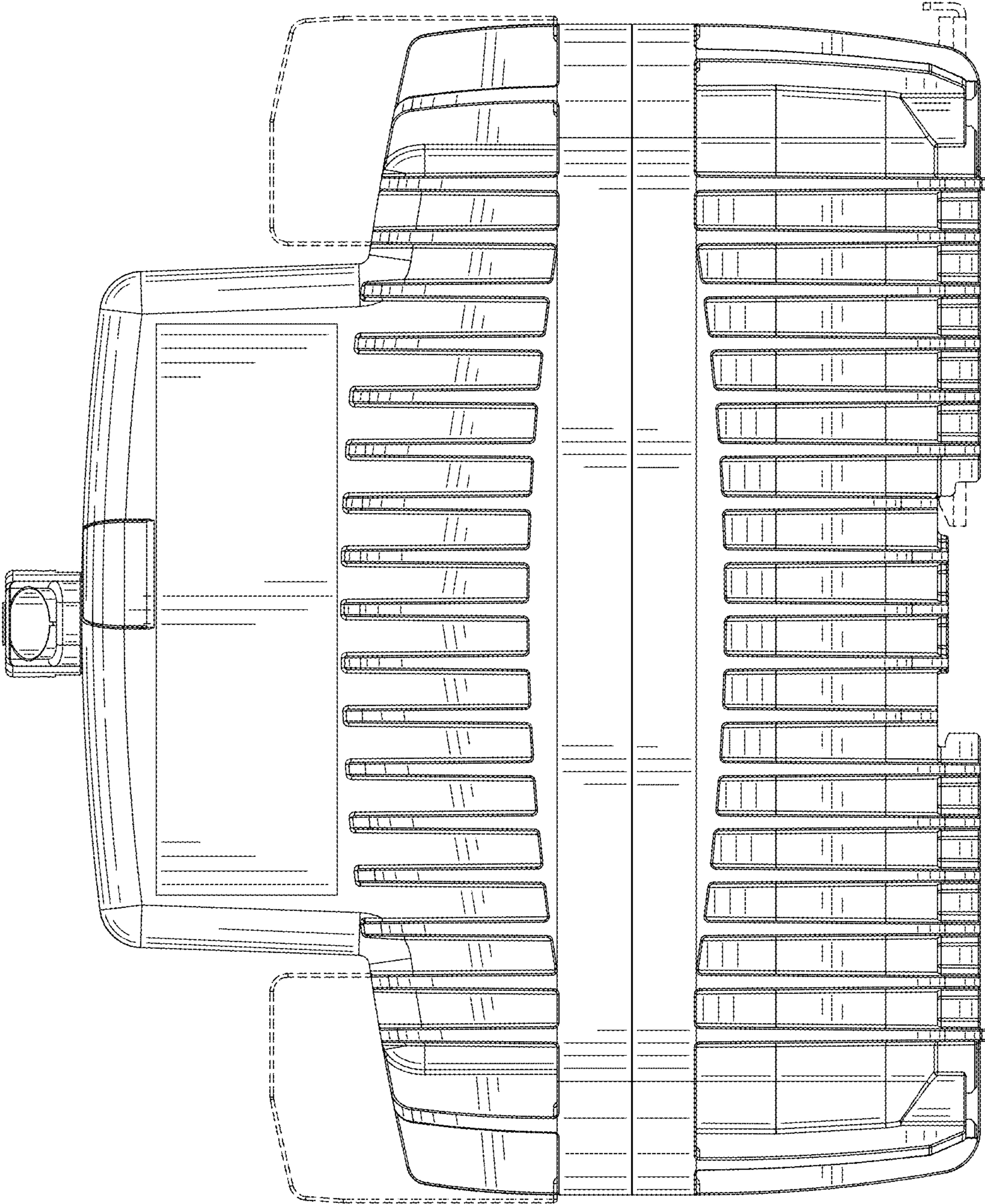


FIG. 30



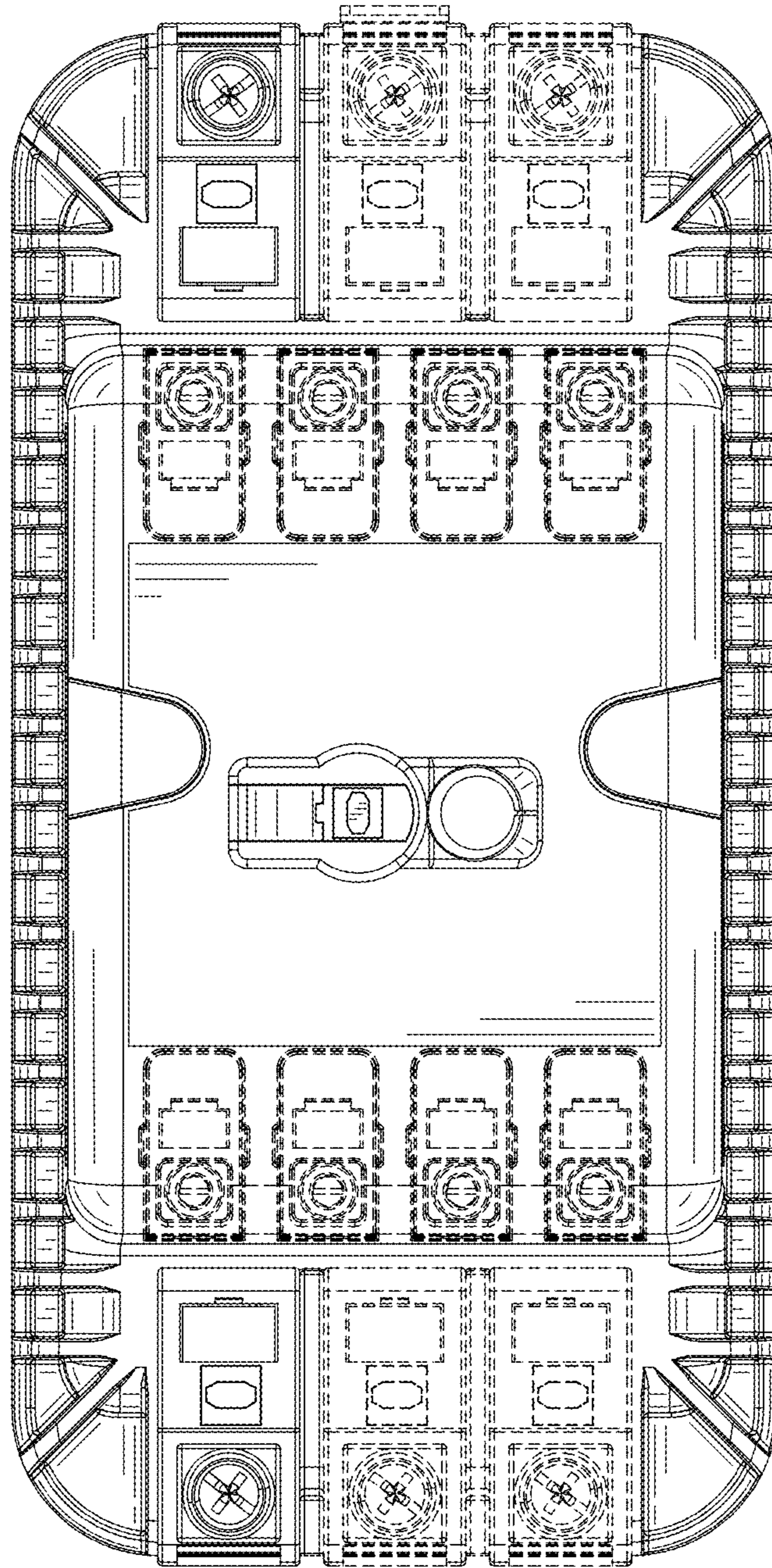


FIG. 31

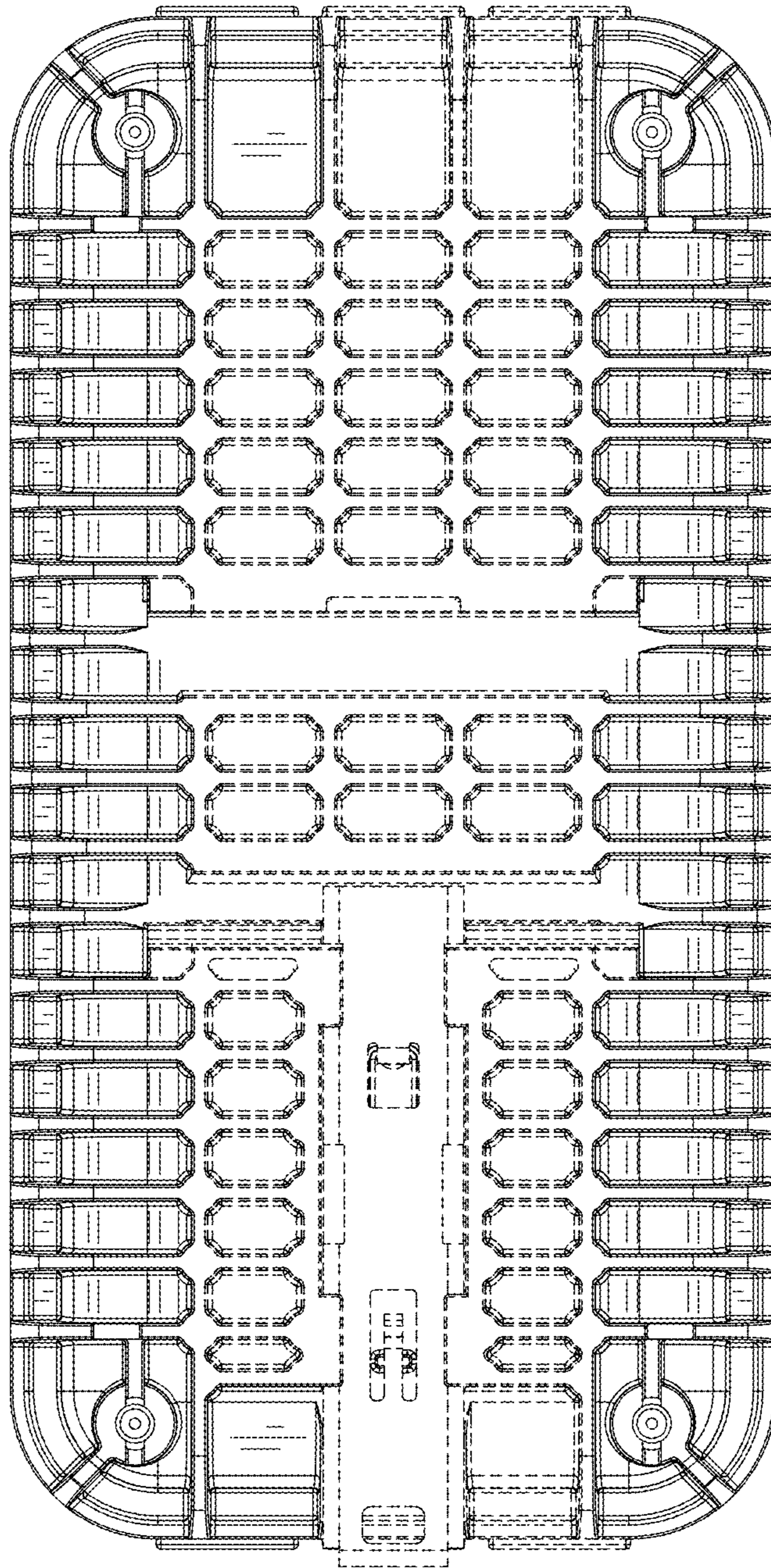


FIG. 32



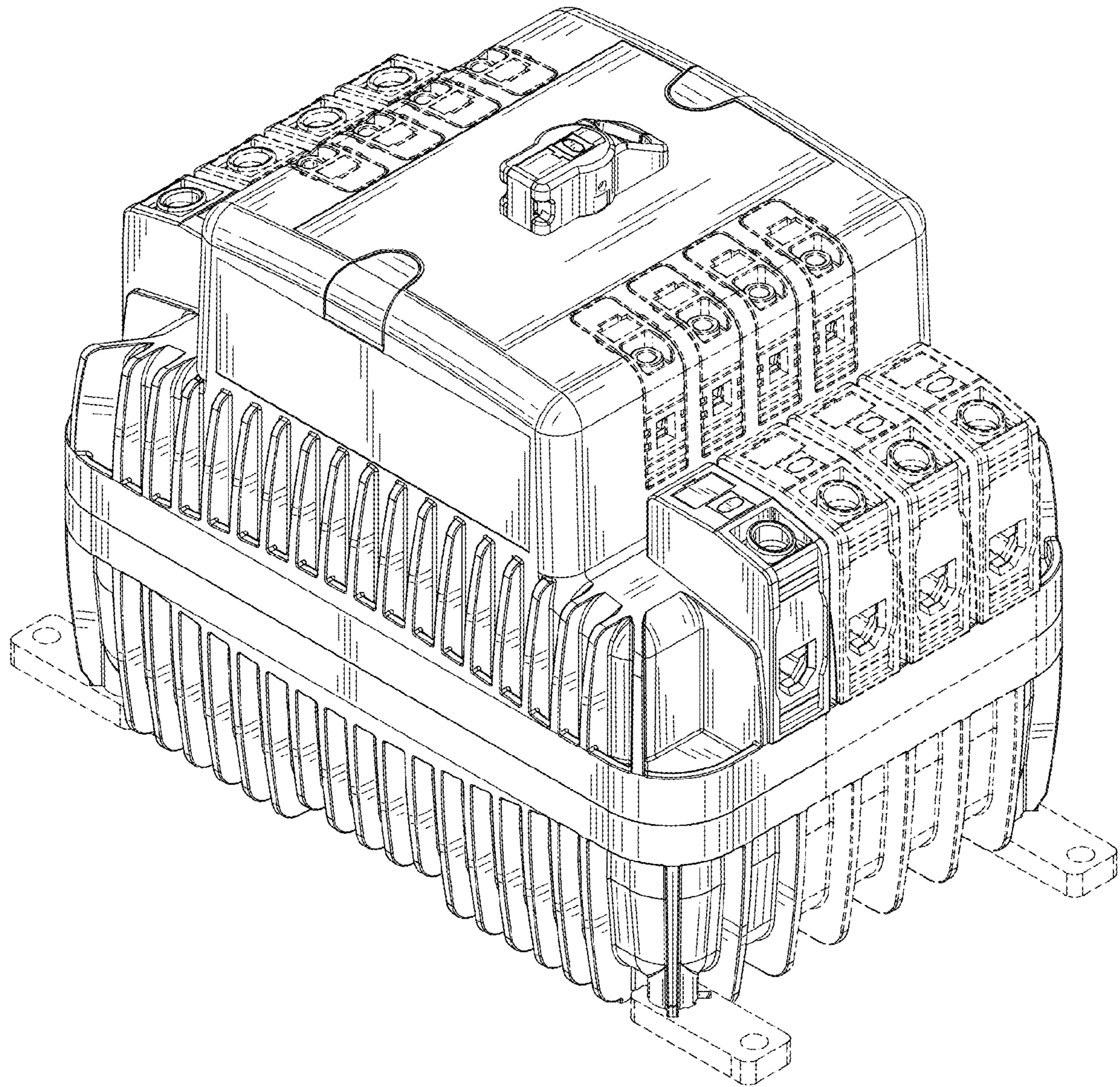


FIG. 33



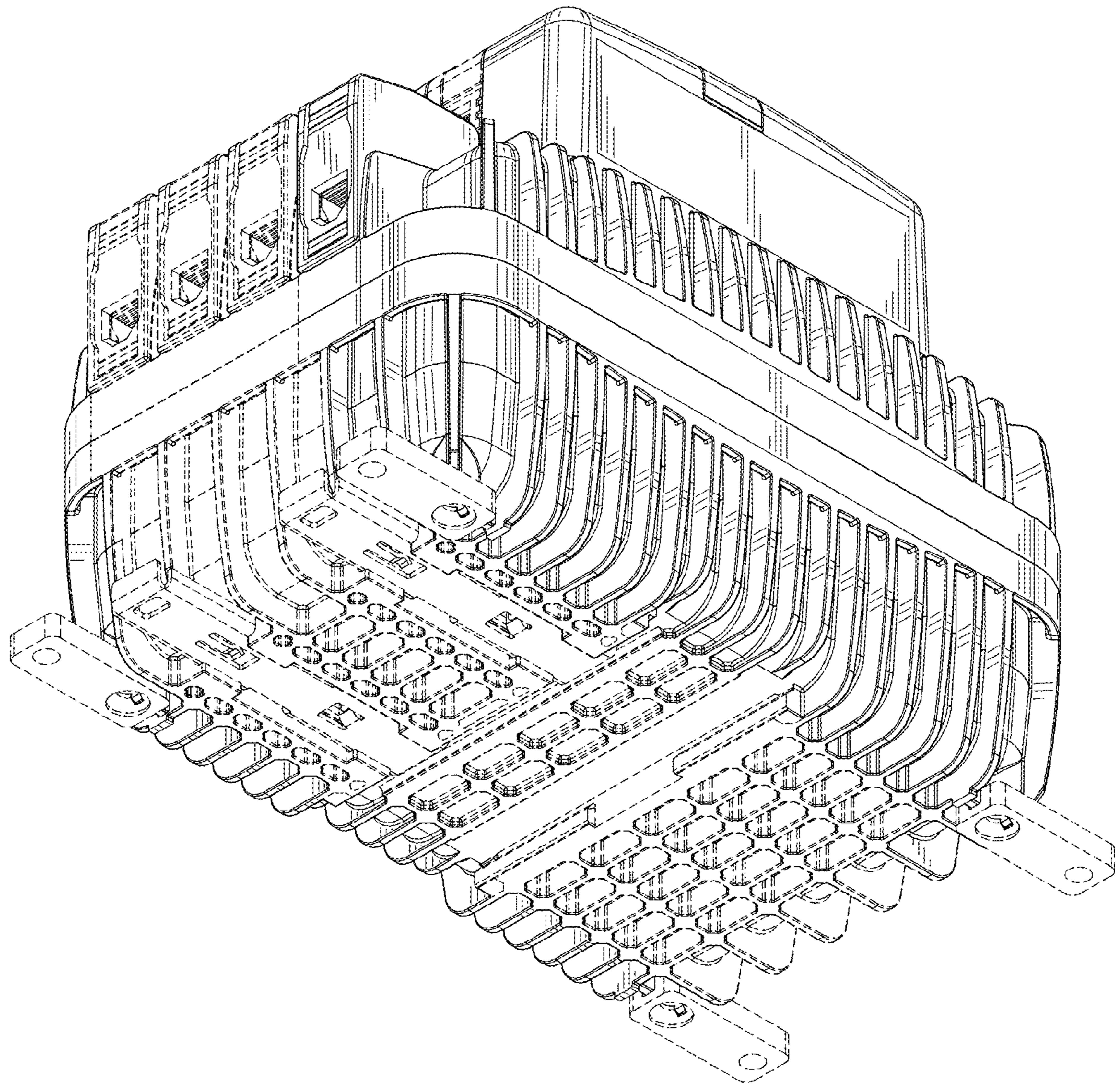


FIG. 34



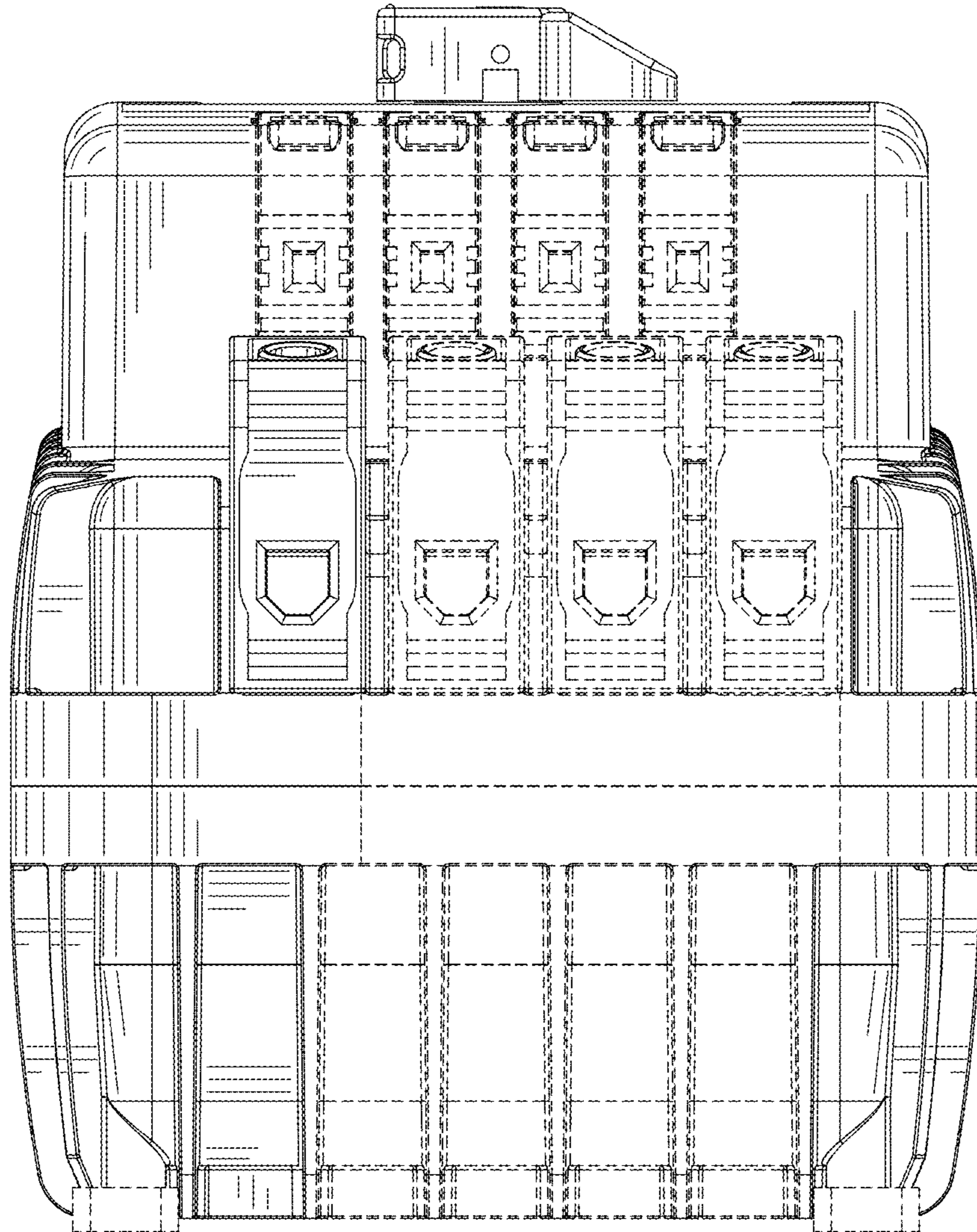


FIG. 35

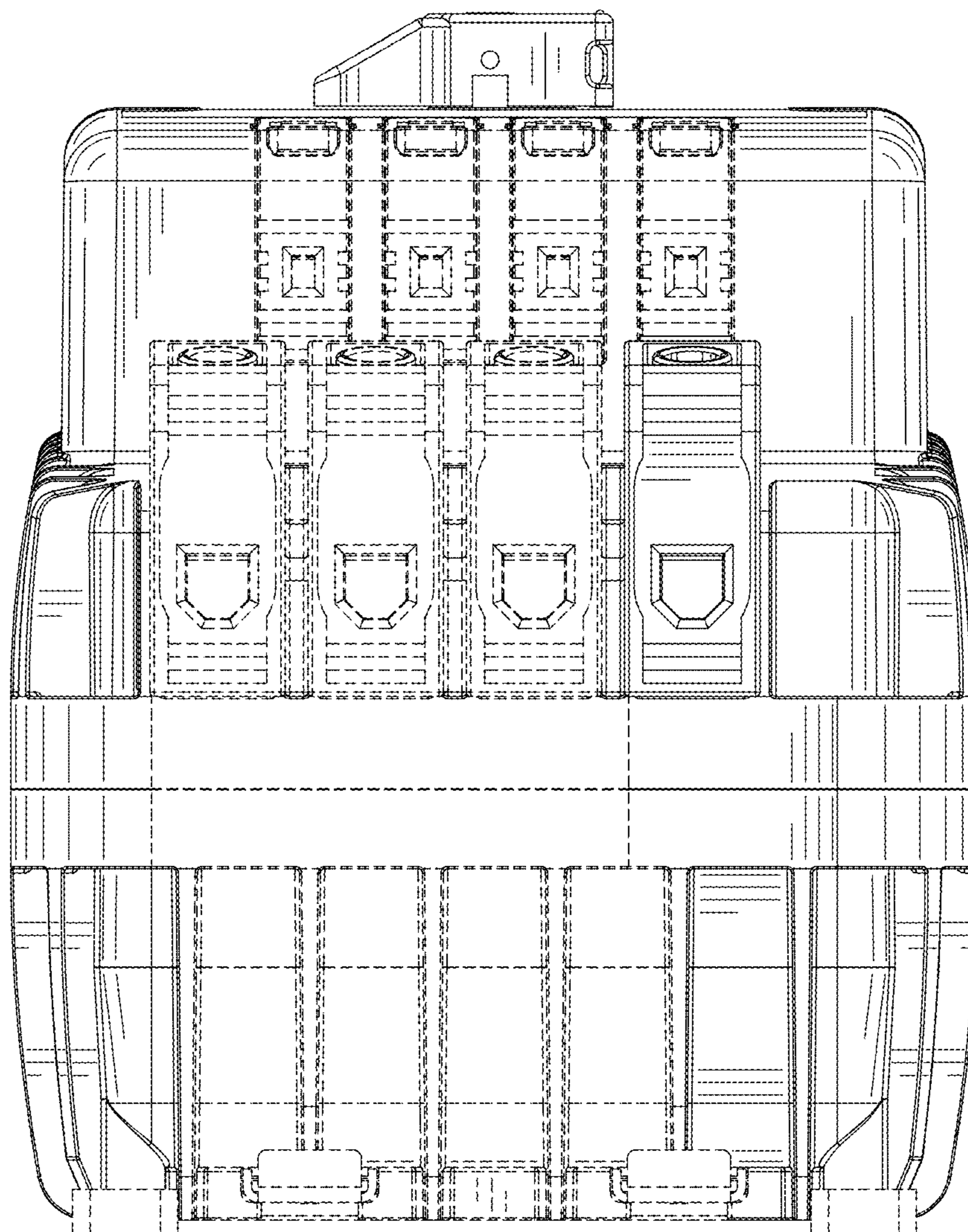


FIG. 36



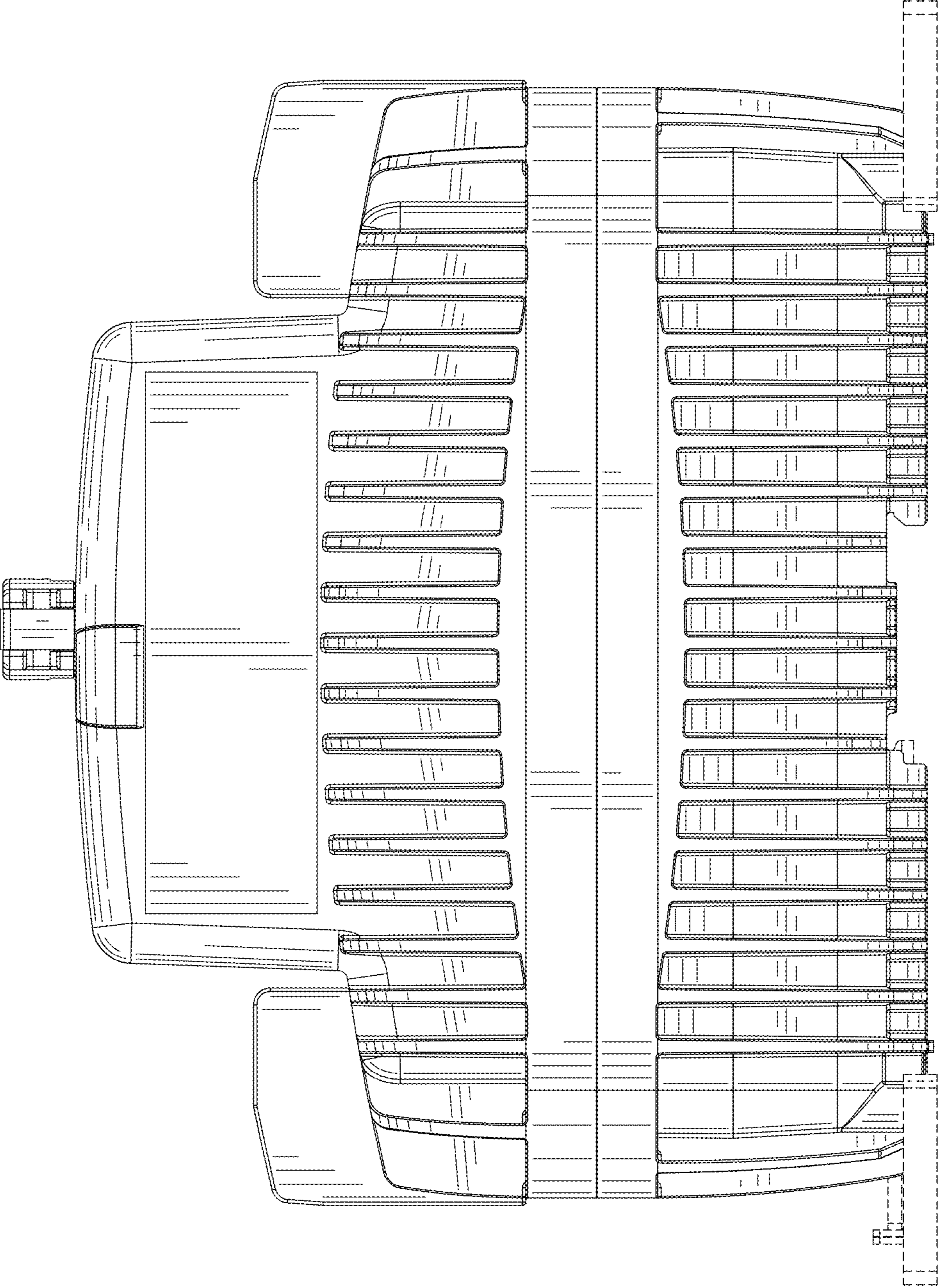


FIG. 37

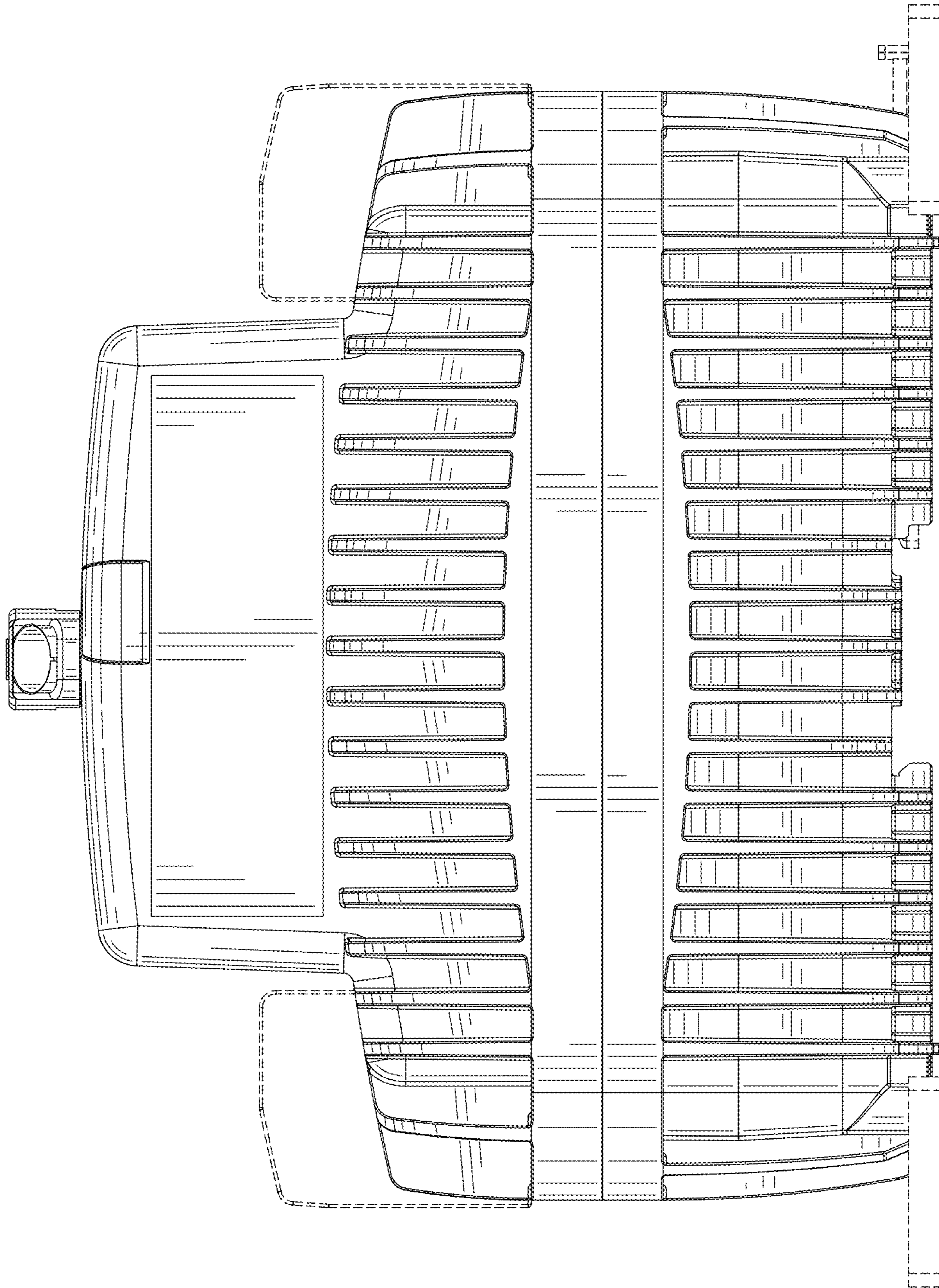


FIG. 38



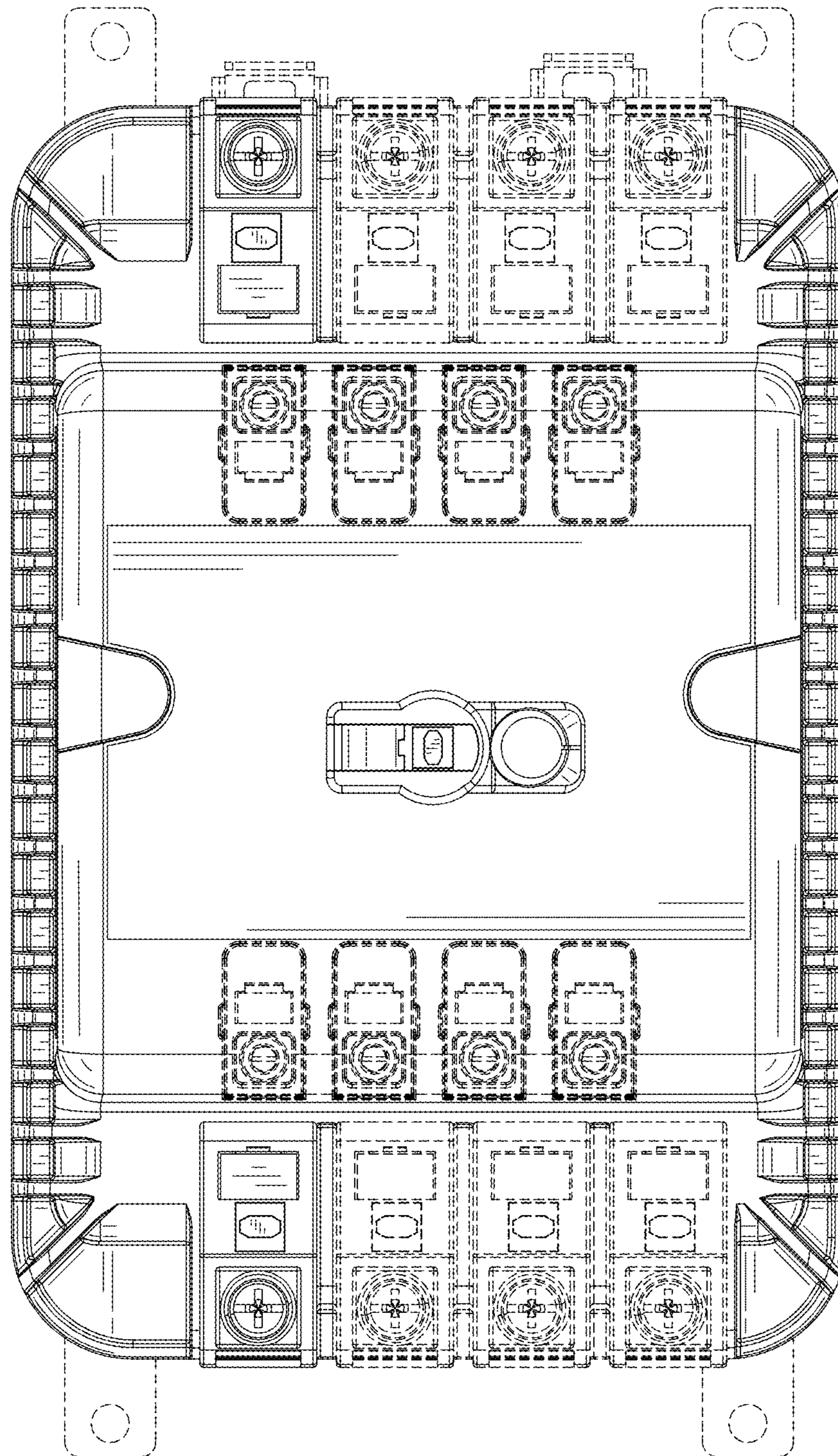


FIG. 39



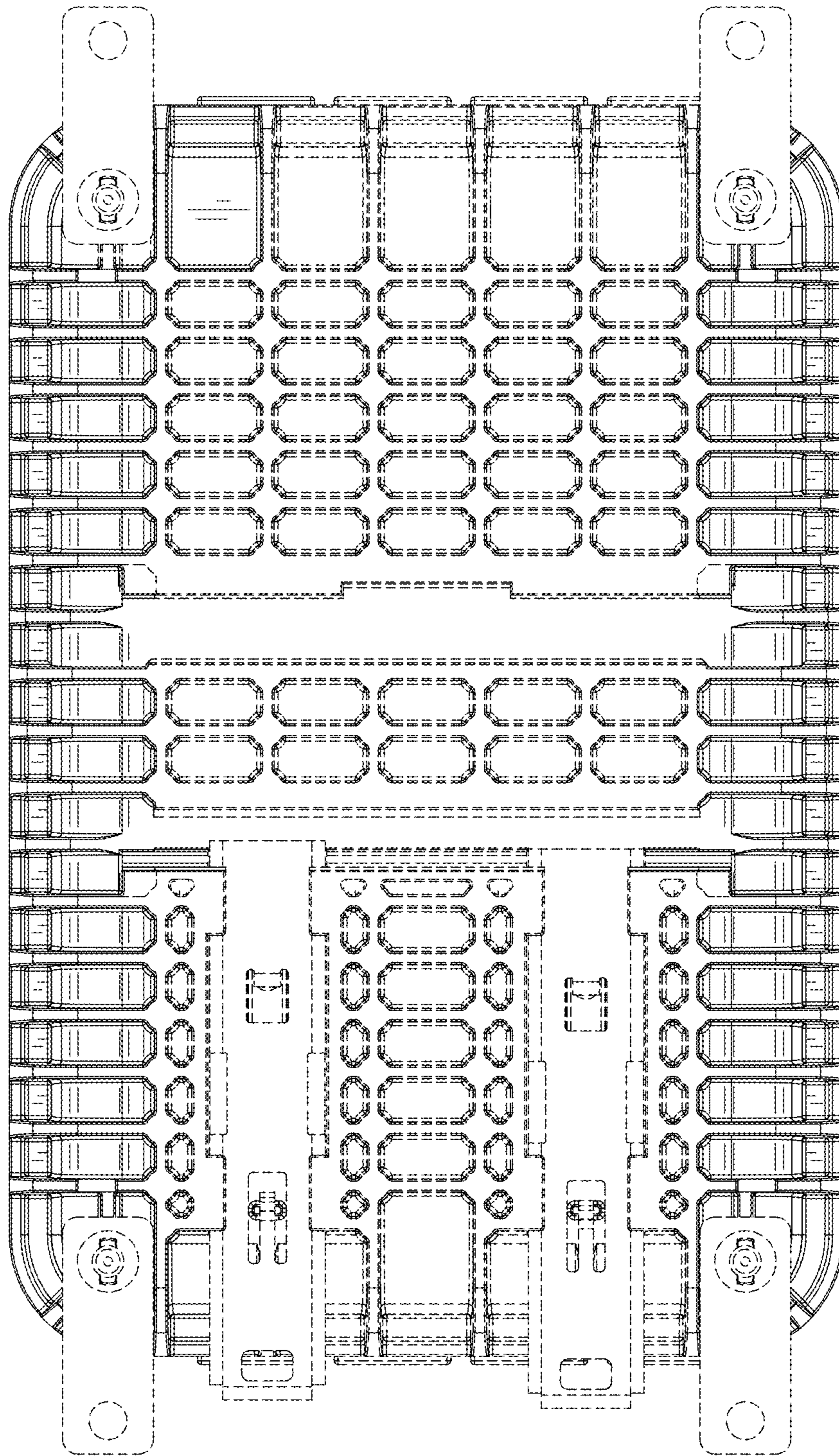


FIG. 40



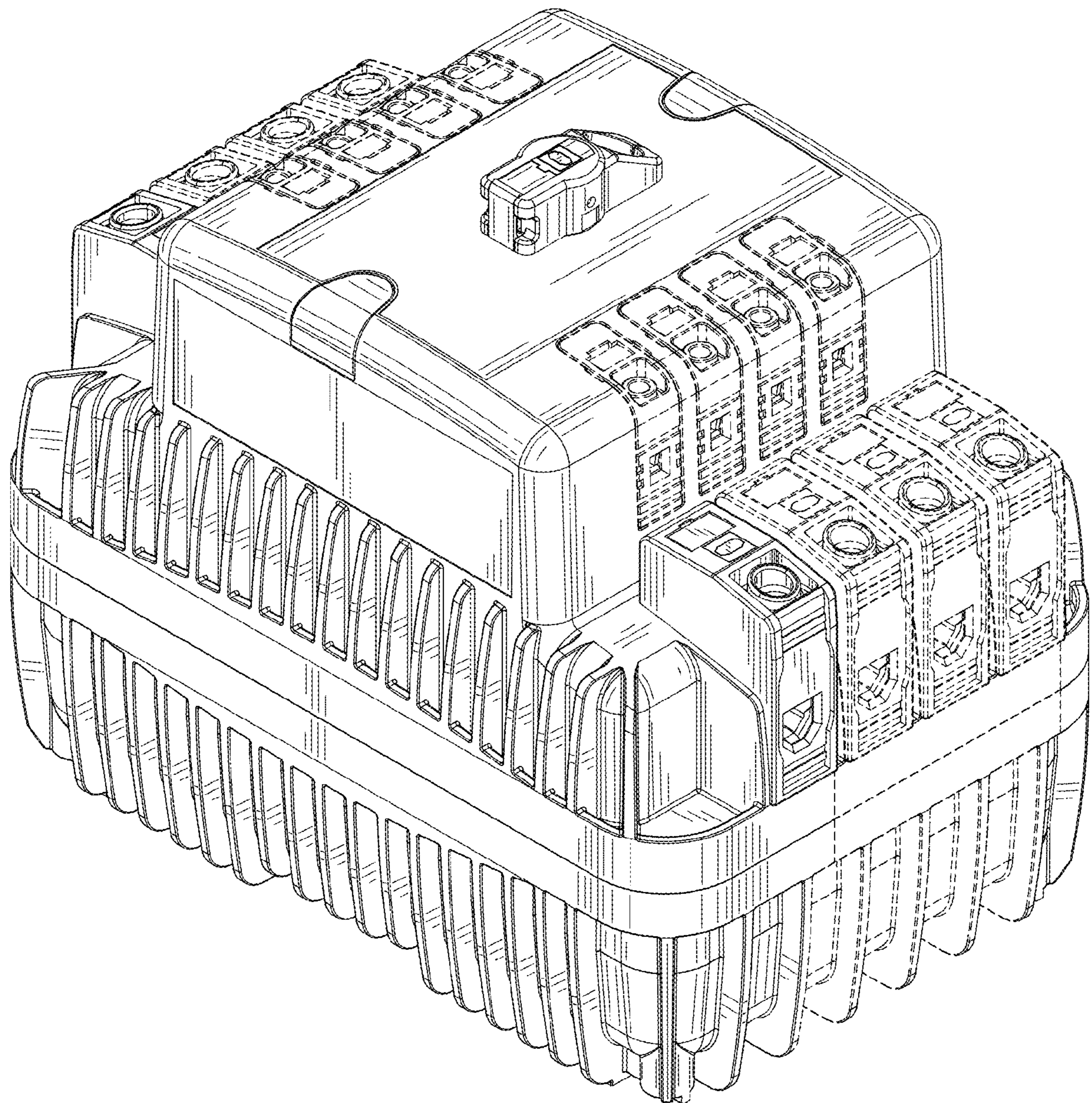


FIG. 41



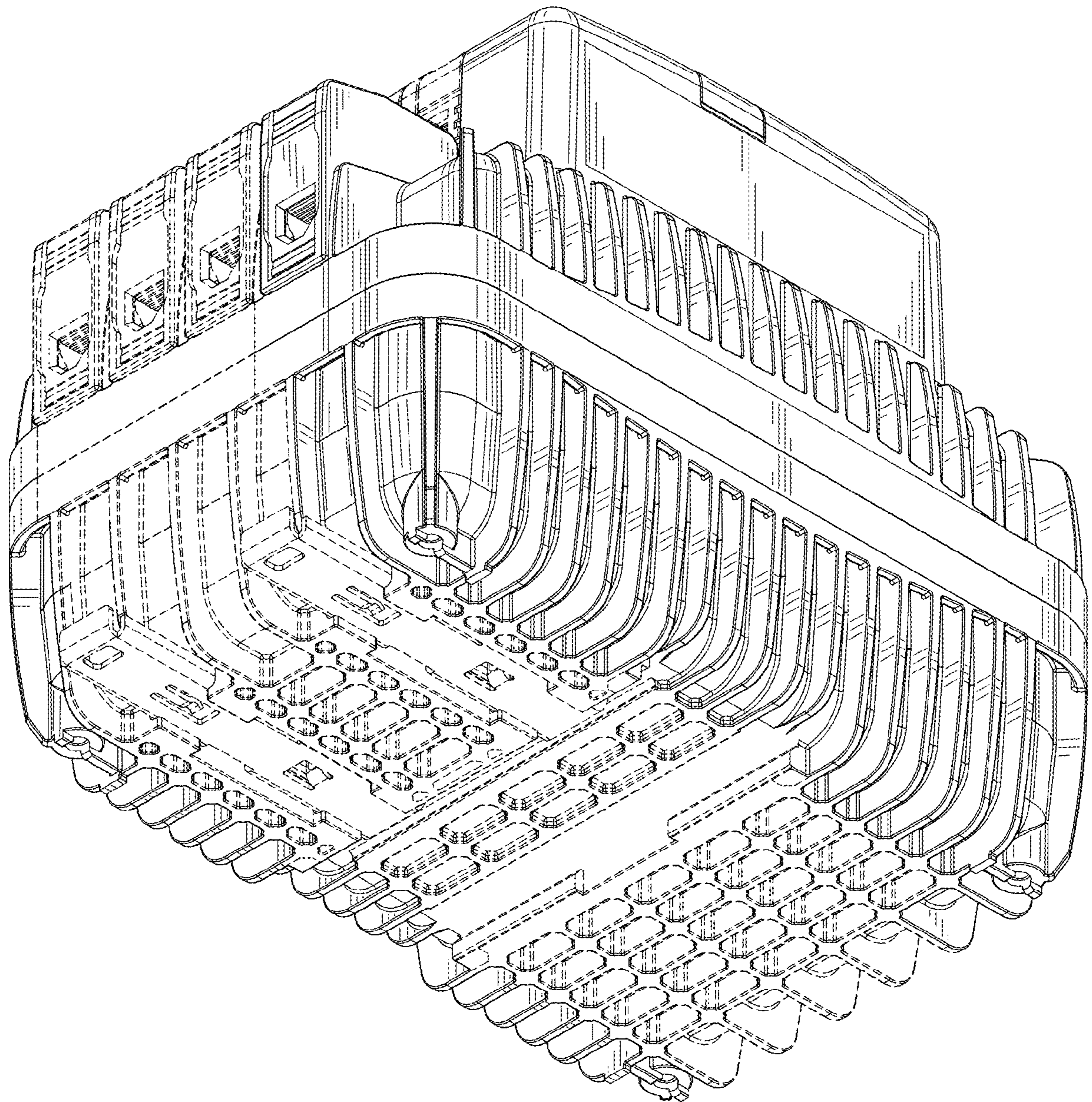


FIG. 42



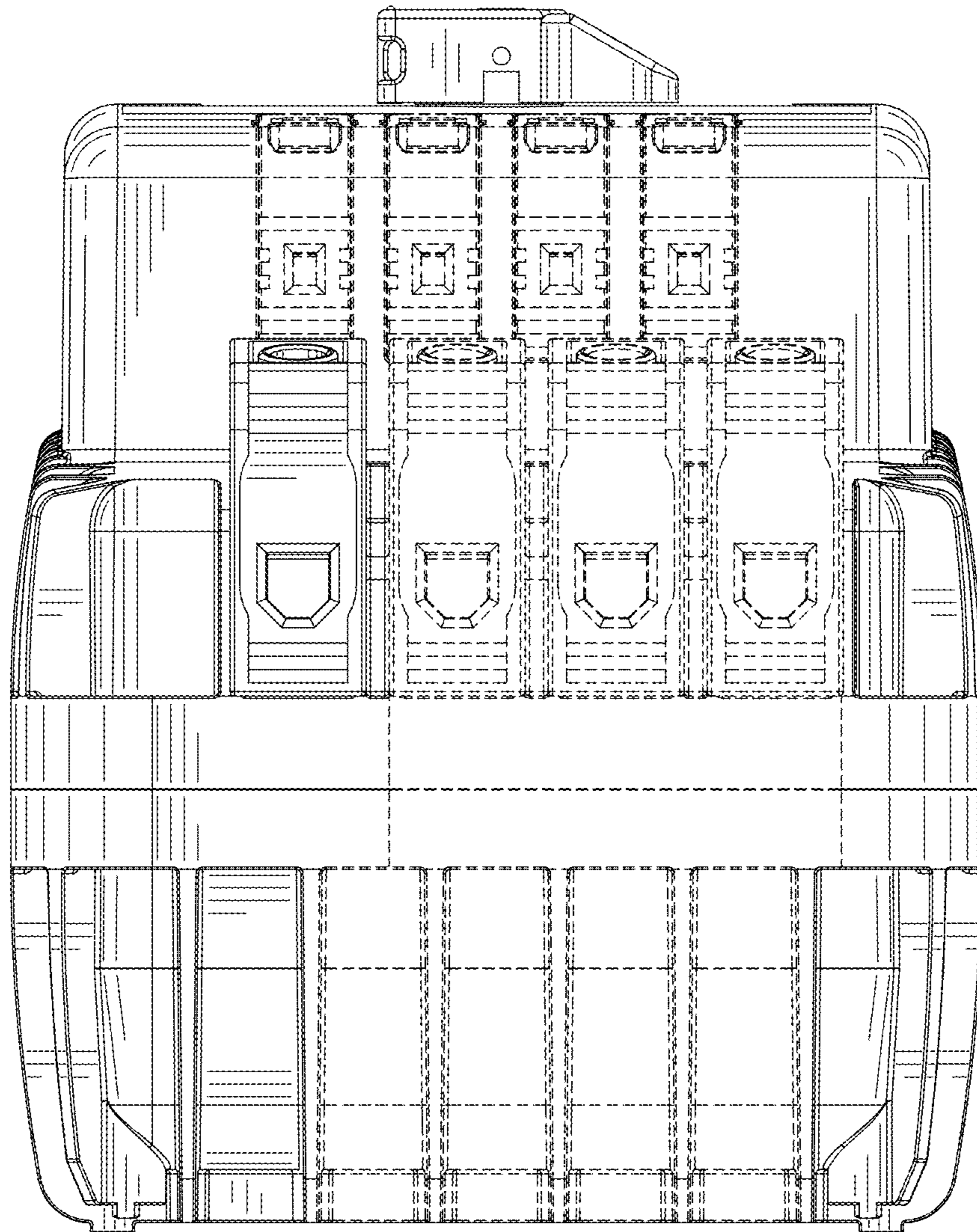


FIG. 43

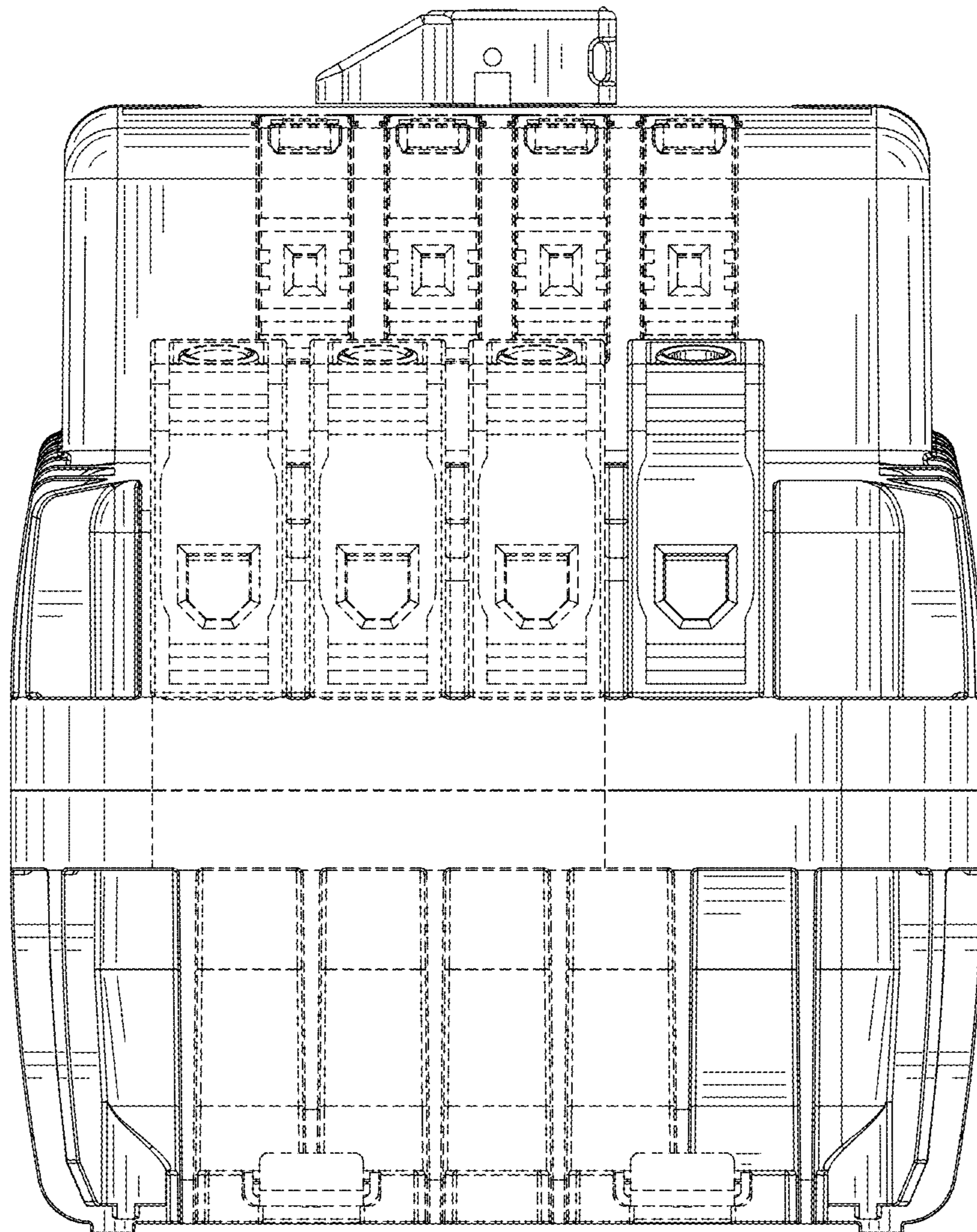


FIG. 44



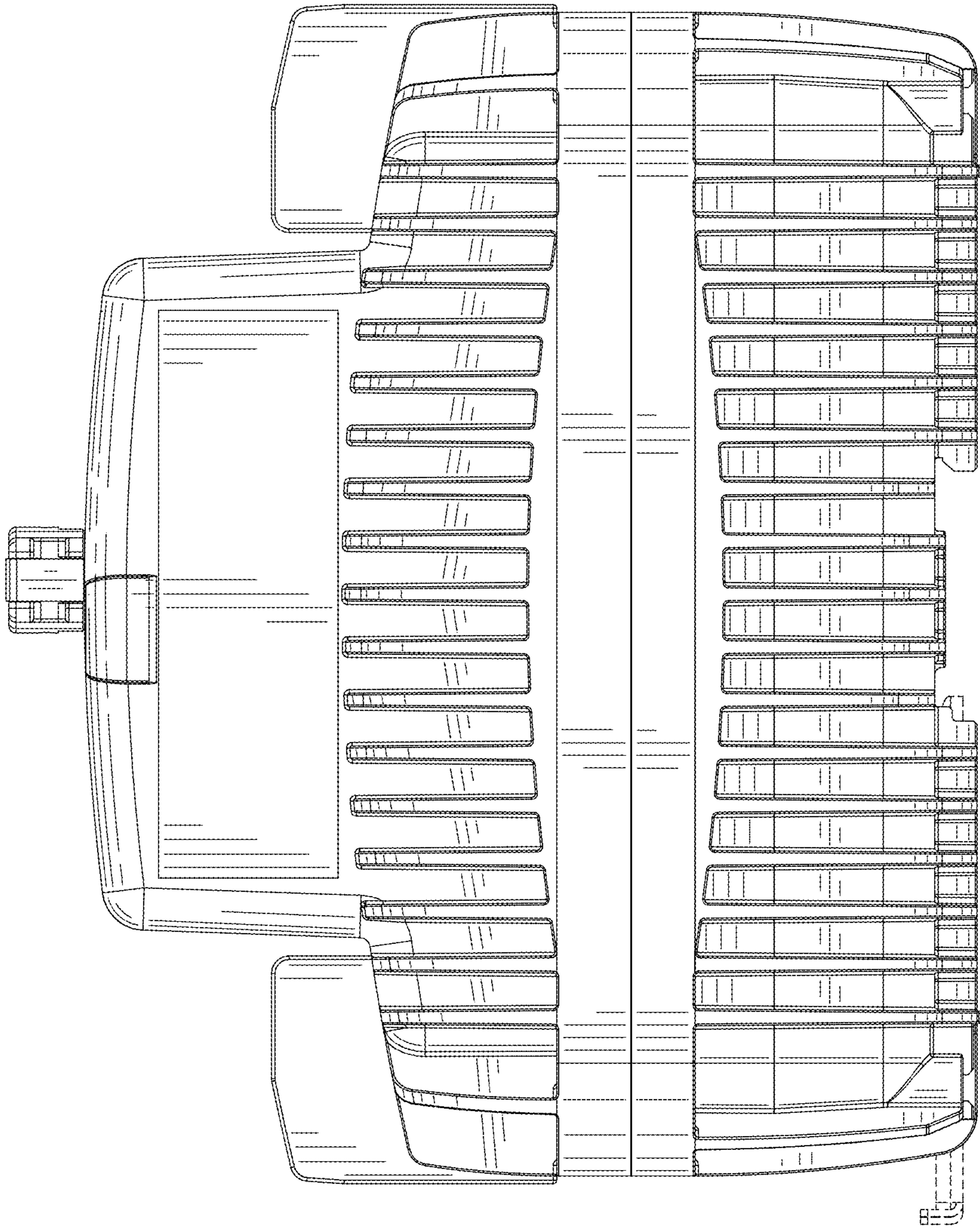


FIG. 45

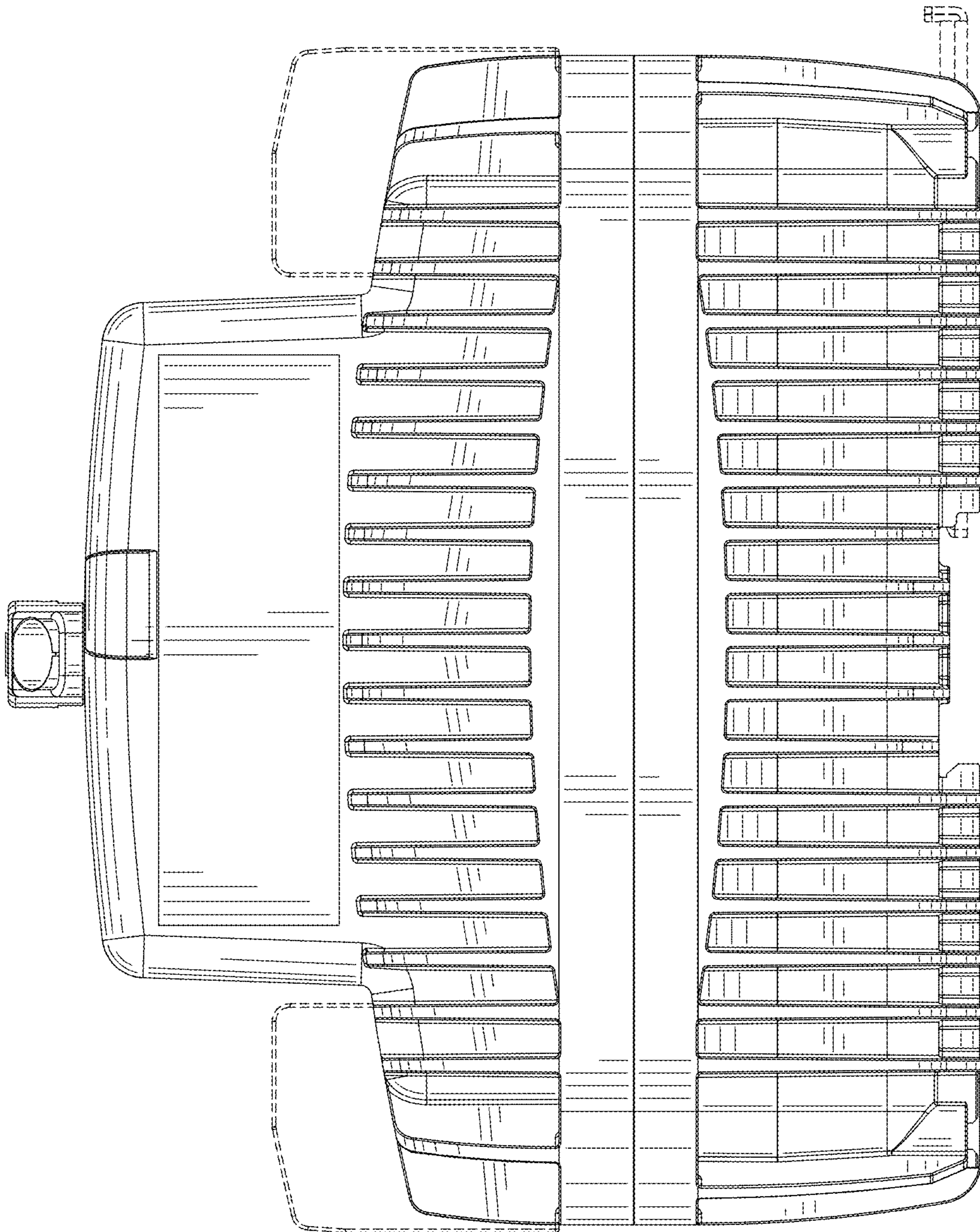


FIG. 46



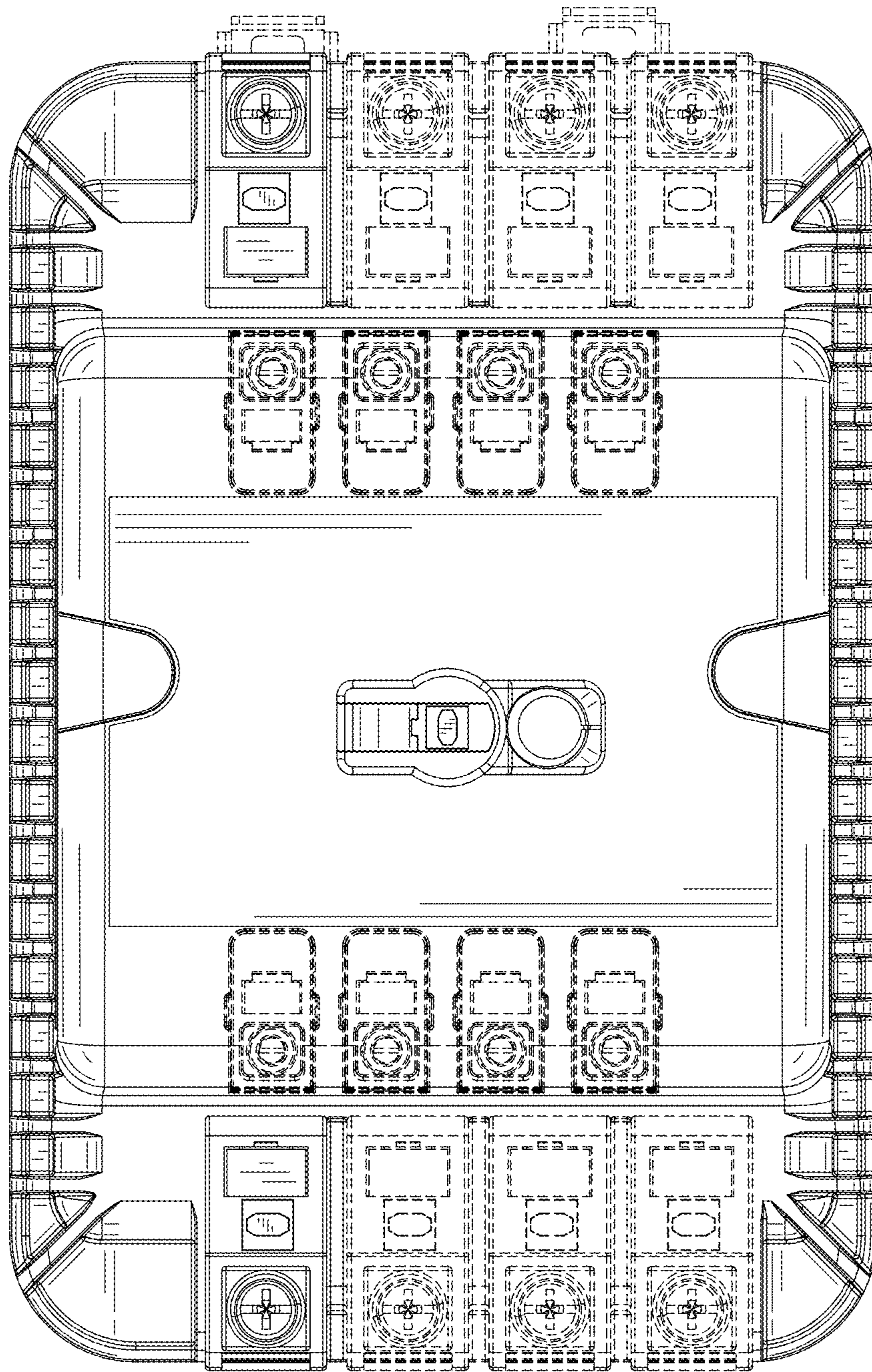


FIG. 47



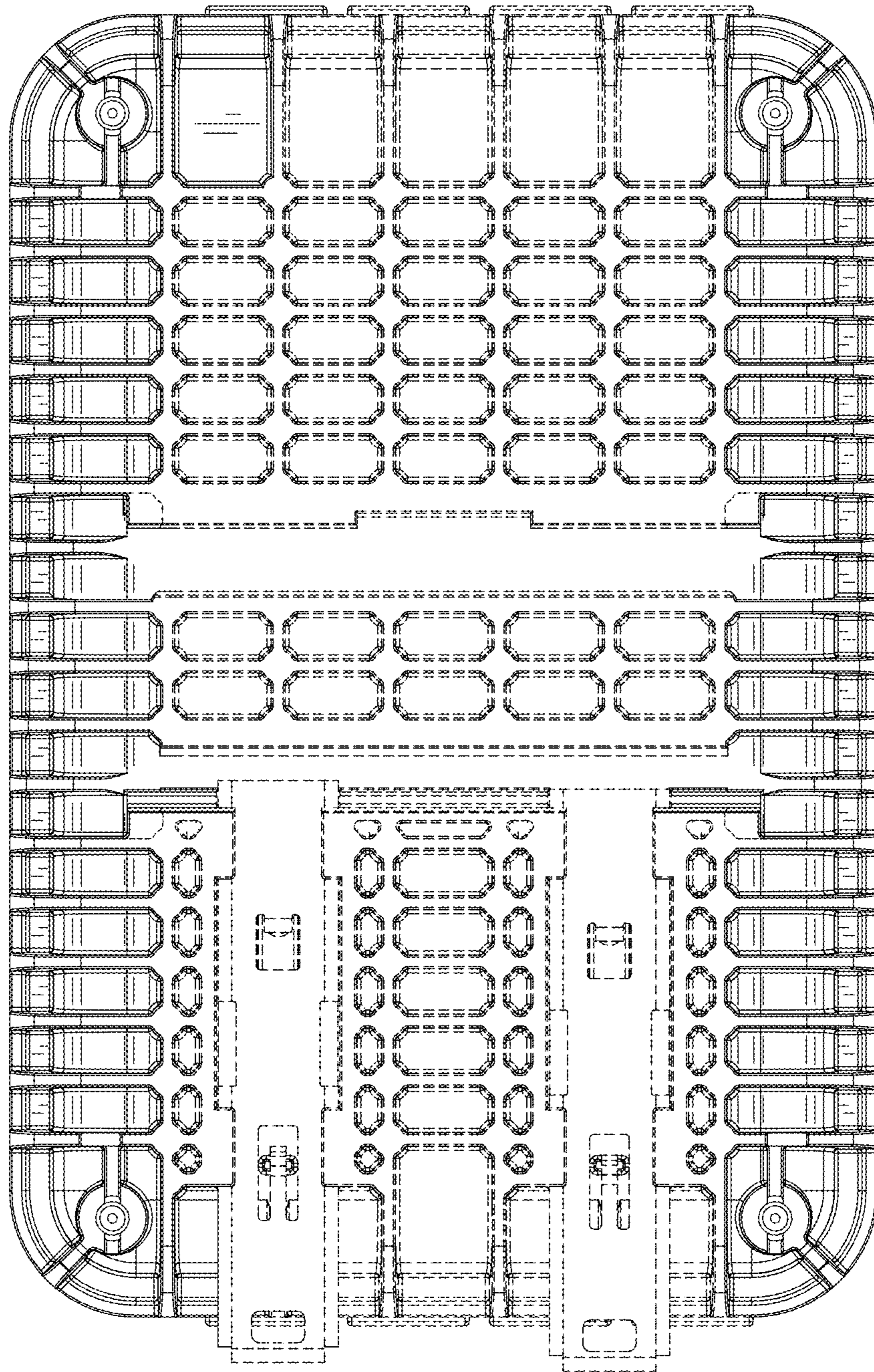


FIG. 48