



US00D924175S

(12) **United States Design Patent**  
**Berkman et al.**

(10) **Patent No.:** **US D924,175 S**

(45) **Date of Patent:** **\*\* Jul. 6, 2021**

(54) **SMART SWITCH**

(71) Applicant: **HOMEWERKS WORLDWIDE, LLC**, Lake Bluff, IL (US)

(72) Inventors: **Peter D. Berkman**, Highland Park, IL (US); **Michael Malaker**, Gurnee, IL (US)

(73) Assignee: **HOMEWERKS WORLDWIDE, LLC**, Lake Bluff, IL (US)

(\*\*) Term: **15 Years**

(21) Appl. No.: **29/694,668**

(22) Filed: **Jun. 12, 2019**

(51) **LOC (13) Cl.** ..... **13-03**

(52) **U.S. Cl.**  
USPC ..... **D13/158**

(58) **Field of Classification Search**  
USPC ..... D13/107, 108, 110, 118, 123, 152,  
D13/158-160, 173, 184, 199  
CPC ..... G05B 15/02; G05B 19/02; G05F 5/00;  
G06F 1/16; G06F 3/01; G06F 3/04; G06F  
3/041; H01H 9/54; H01H 47/00; H01R  
13/42

See application file for complete search history.

(56) **References Cited**

**U.S. PATENT DOCUMENTS**

D305,531 S *	1/1990	Suzuki	.....	D13/126
D339,324 S *	9/1993	Ahn	.....	D13/110
D405,421 S *	2/1999	Tennefoss	.....	D13/152
D412,313 S *	7/1999	Hughes	.....	D13/152
D583,337 S *	12/2008	Ni	.....	D13/171
D736,715 S *	8/2015	Gretz	.....	D13/152
D810,701 S *	2/2018	Baldwin	.....	D13/162
D820,218 S *	6/2018	Cuellar	.....	D13/152

D868,707 S *	12/2019	Lin	.....	D13/158
D886,746 S *	6/2020	Anadasu	.....	D13/158
2014/0253483 A1 *	9/2014	Kupersztoch	.....	G06F 3/04883 345/173
2015/0280410 A1 *	10/2015	Elberbaum	.....	H02G 3/123 361/679.01
2020/0249785 A1 *	8/2020	Anadasu	.....	G06F 3/0412

**FOREIGN PATENT DOCUMENTS**

FR 2793347 A1 \* 11/2000 ..... G60Q 1/0076

**OTHER PUBLICATIONS**

Honeywell UltraPro Z-Wave Plus Smart Light Switch, dated Dec. 16, 2018, [online], [site visited Sep. 28, 2020]. Available from Internet, URL: <https://www.amazon.com/Honeywell-Interchangeable-Repeater-Extender-Required/dp/B07B3LY1SJ/> (Year: 2018).\*

\* cited by examiner

*Primary Examiner* — Shawn T Gingrich

(74) *Attorney, Agent, or Firm* — Cozen O'Connor

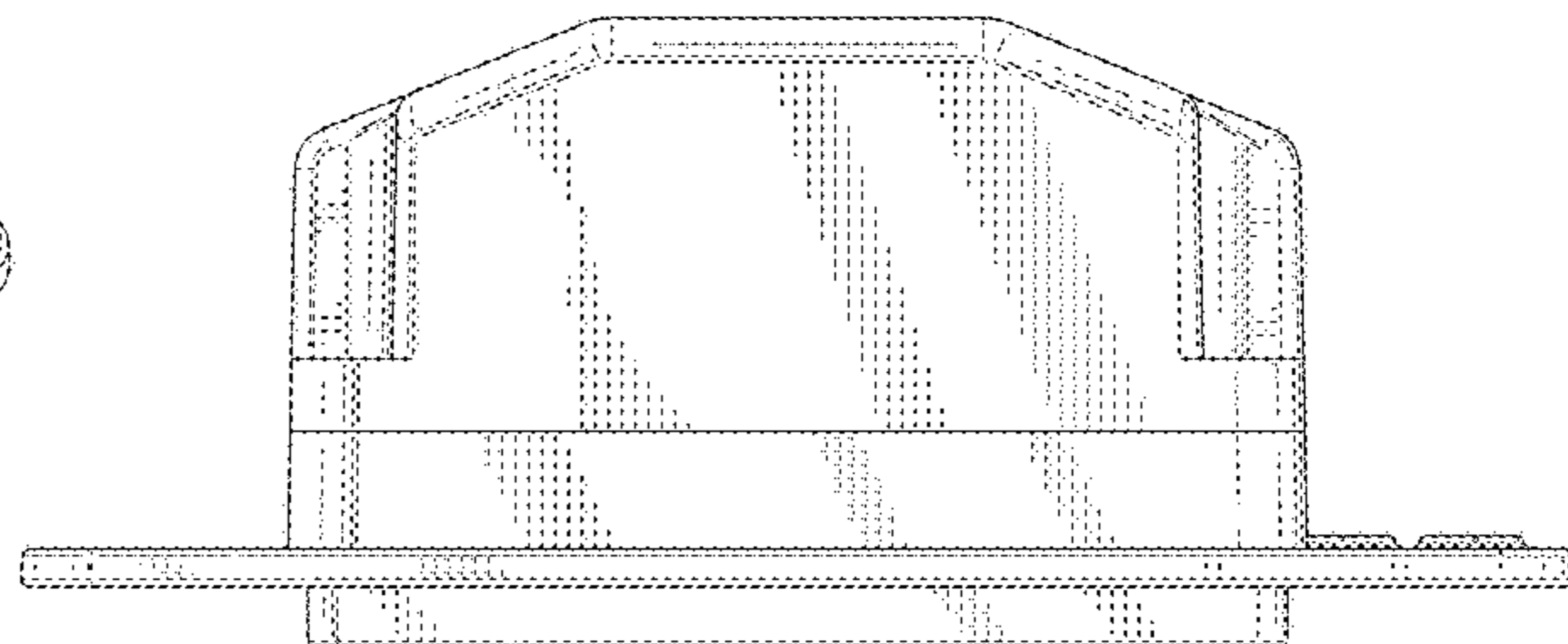
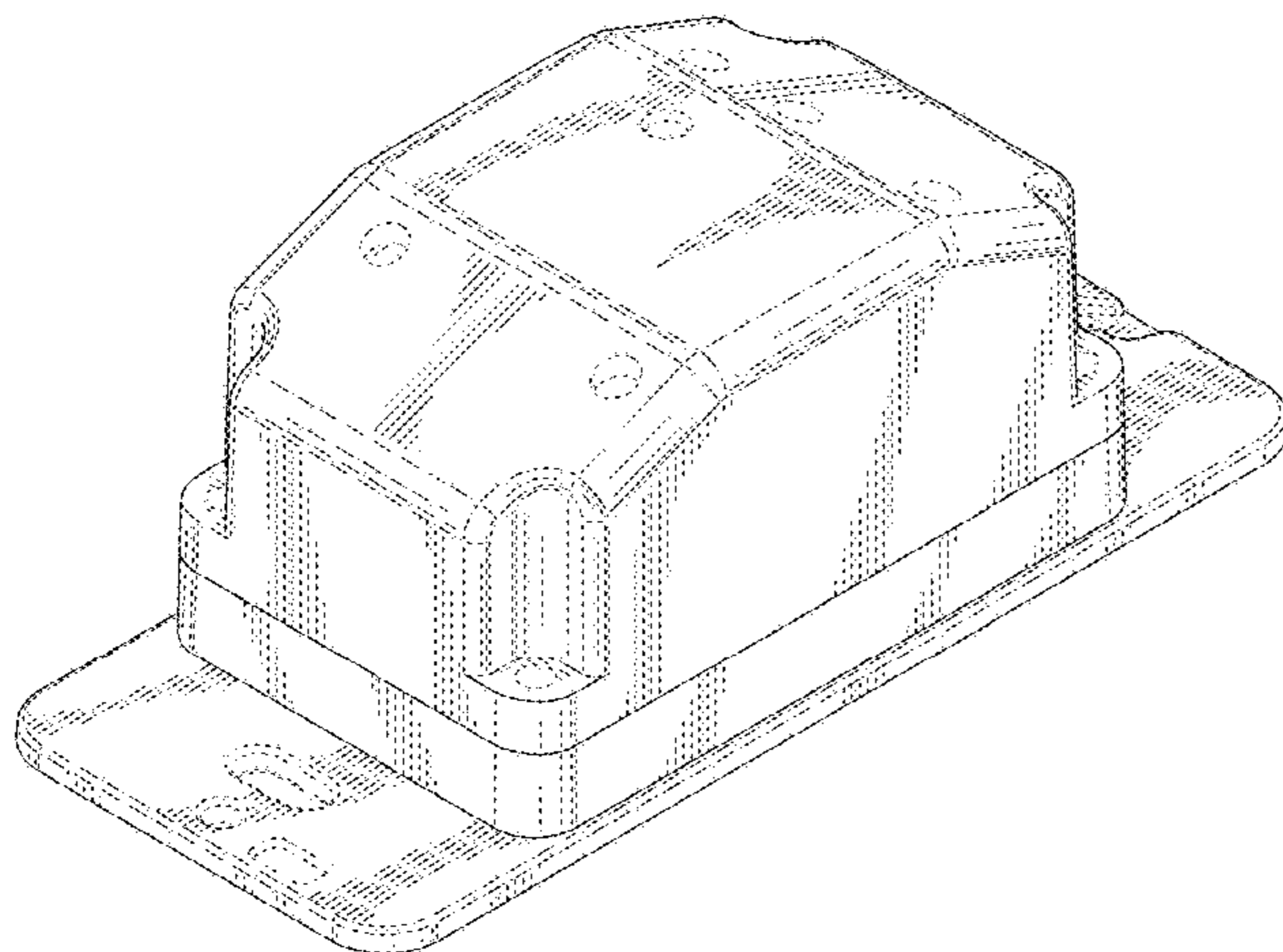
(57) **CLAIM**

The ornamental design for a smart switch, as shown and described.

**DESCRIPTION**

FIG. 1 shows a ¾ side rear perspective view of the claimed smart switch;  
FIG. 2 shows an an end view thereof;  
FIG. 3 shows an an end view of the opposite end of FIG. 2;  
FIG. 4 shows a side thereof;  
FIG. 5 shows a side view of the opposite side of FIG. 4;  
FIG. 6 shows a rear view of the smart switch; and,  
FIG. 7 shows a front view thereof.  
The broken lines in the drawings illustrate portions of the Smart Switch that form no part of the claimed design.

**1 Claim, 6 Drawing Sheets**



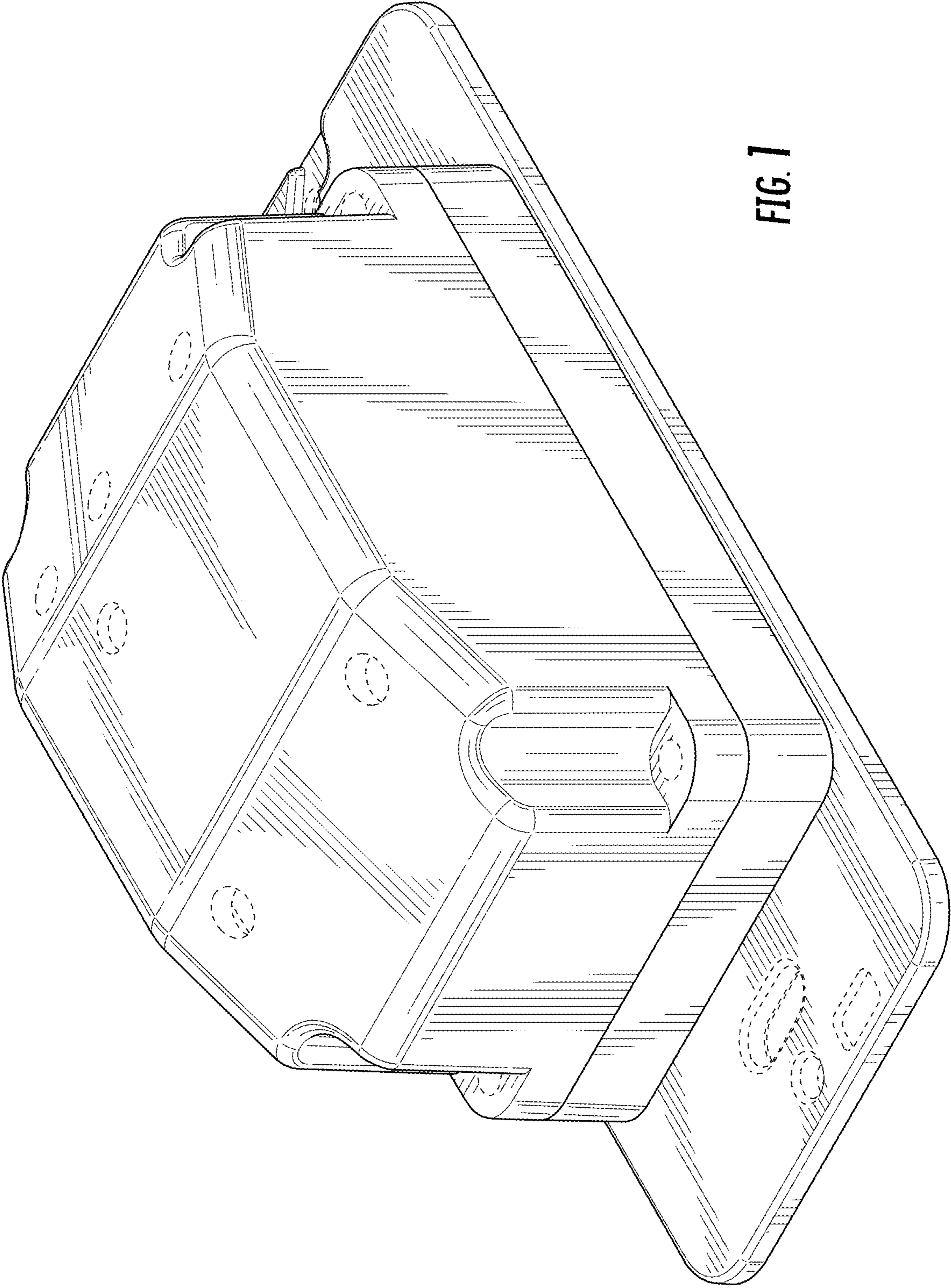


FIG. 1

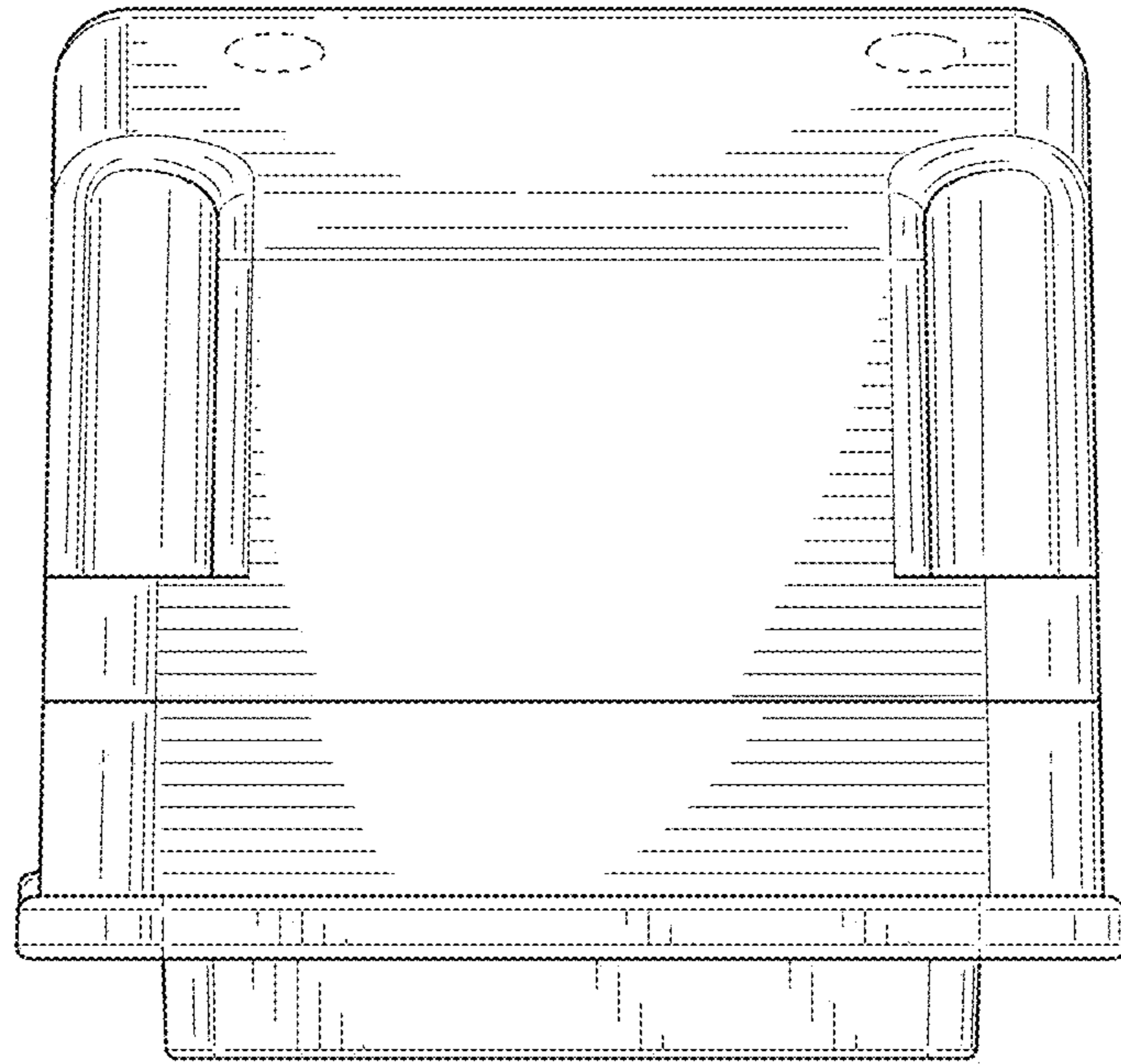


FIG. 2

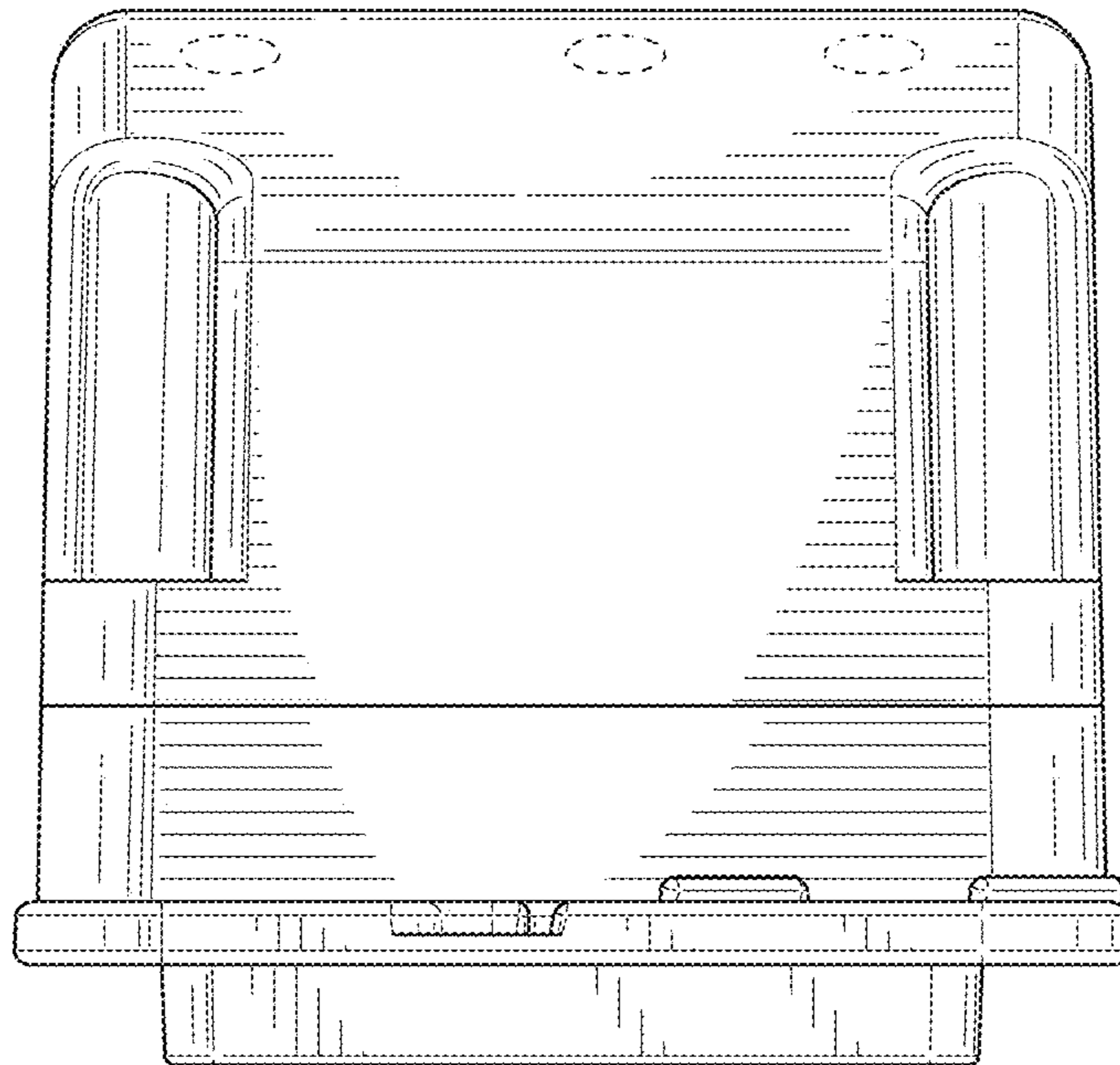


FIG. 3

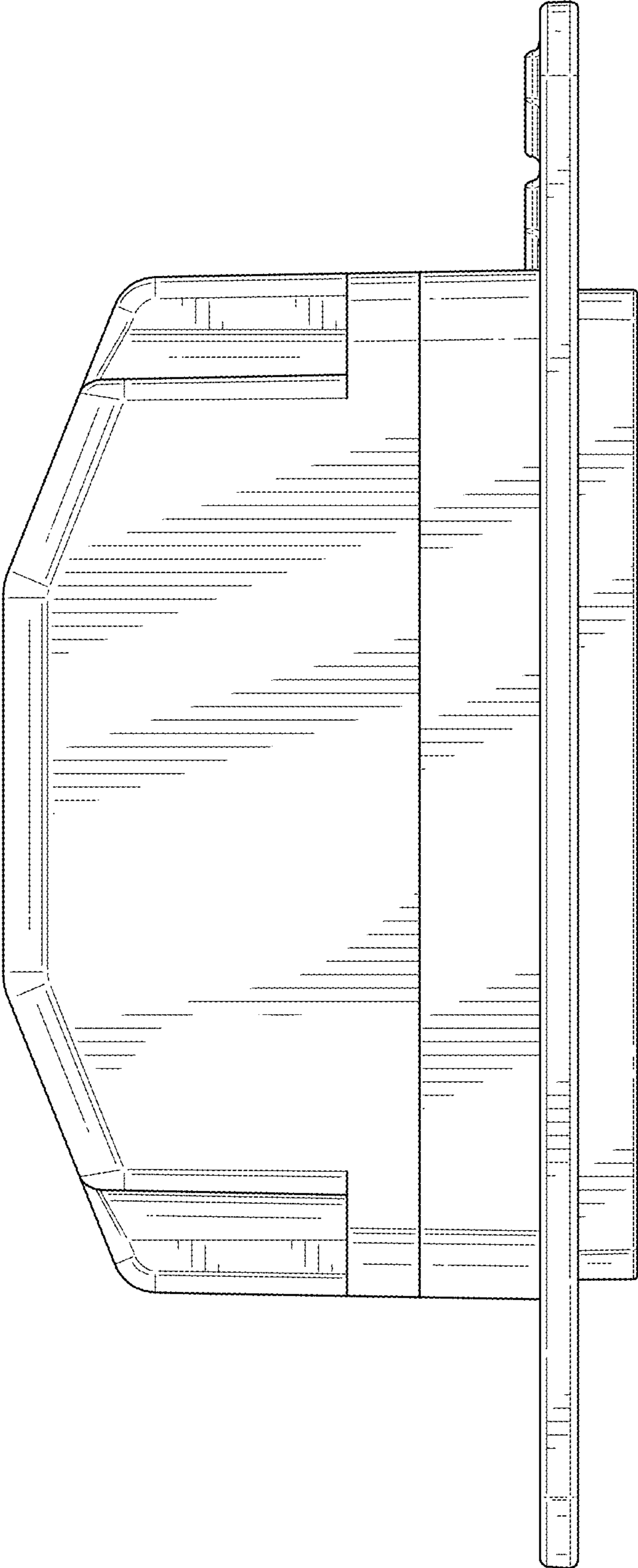


FIG. 4

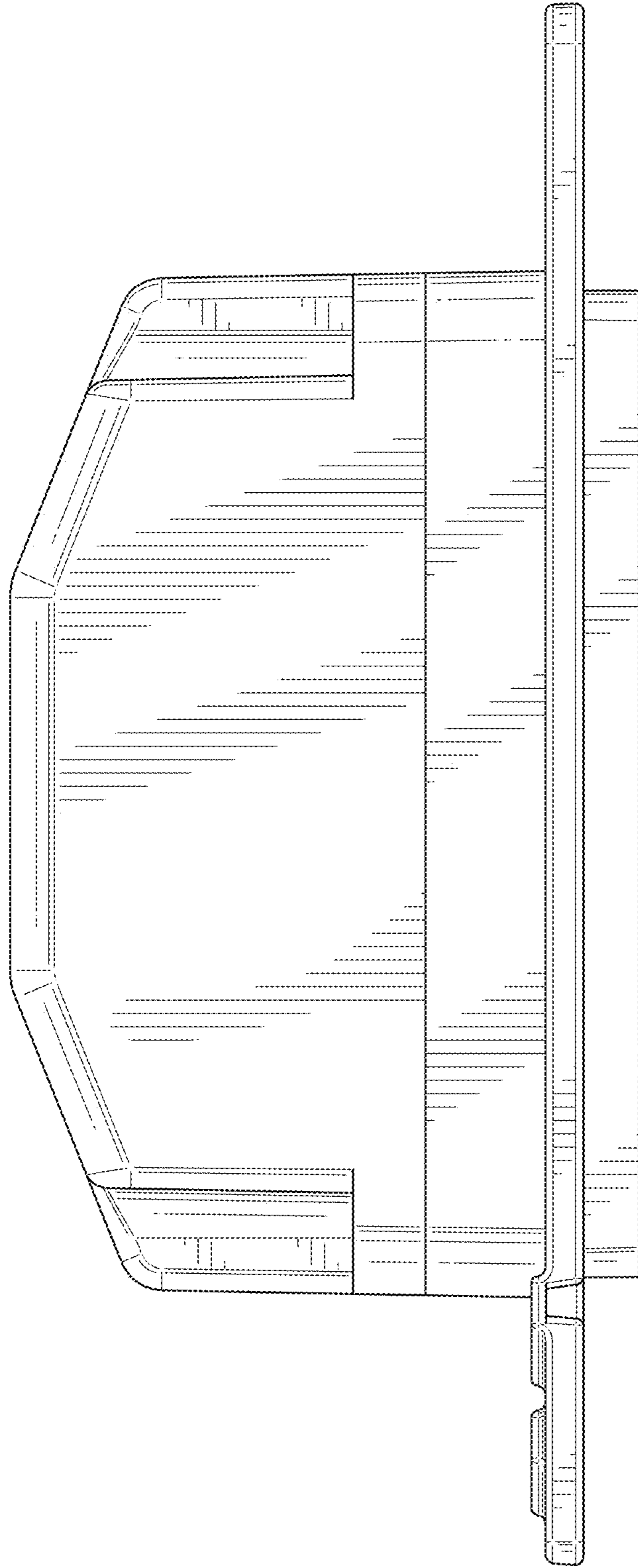


FIG. 5

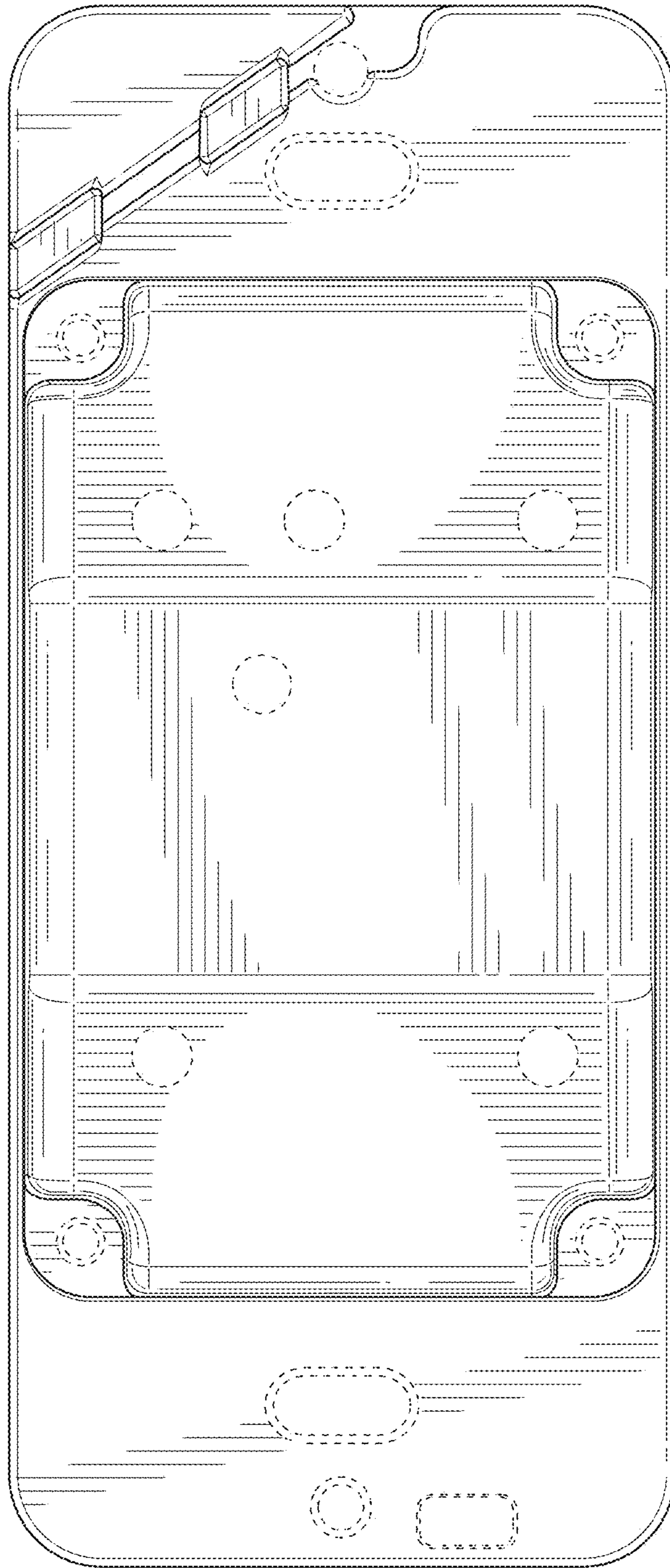


FIG. 6

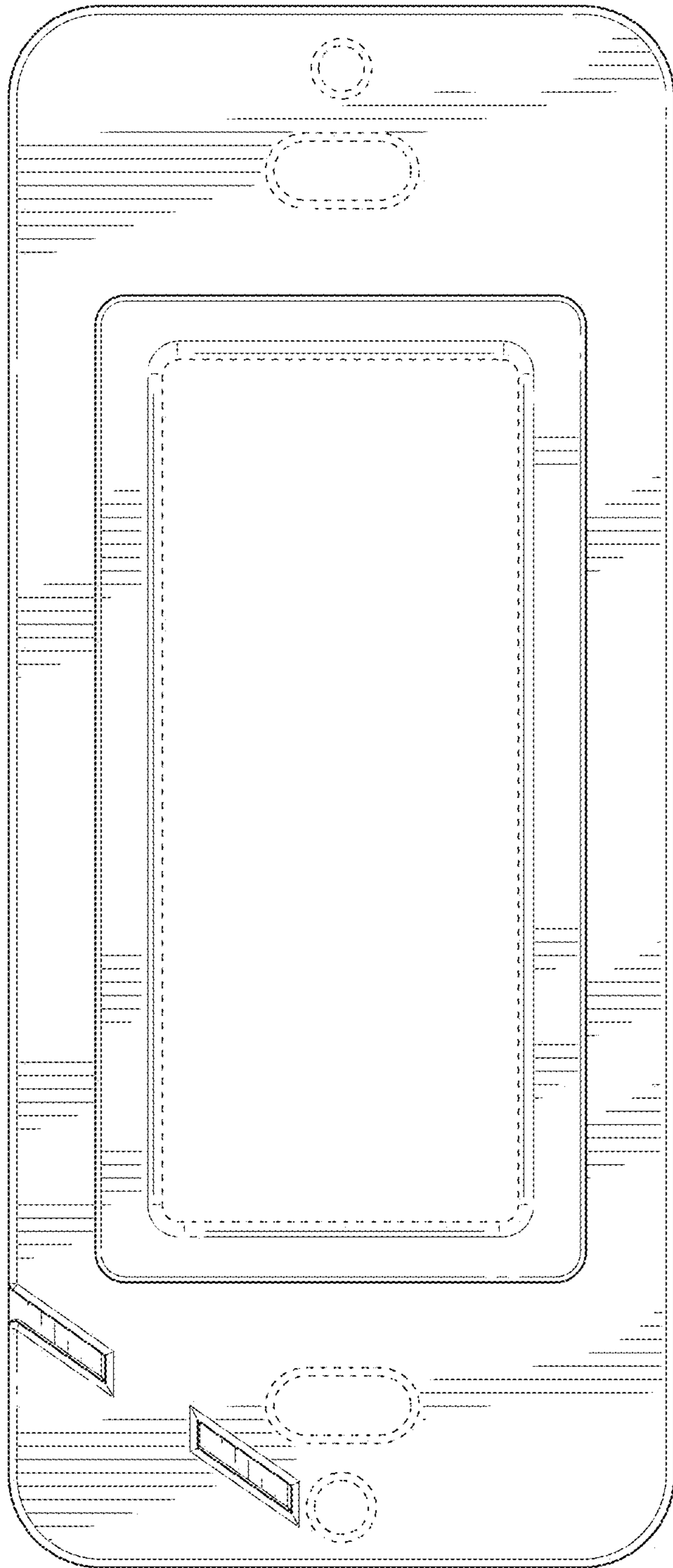


FIG. 7