



US00D924171S

(12) **United States Design Patent** (10) **Patent No.:** **US D924,171 S**
Wu (45) **Date of Patent:** **** Jul. 6, 2021**

(54) **CONNECTION BUCKLE**
(71) Applicant: **Shenzhen Intellirocks Tech. Co., Ltd,**
Shenzhen (CN)
(72) Inventor: **Wenlong Wu,** Shenzhen (CN)
(73) Assignee: **Shenzhen Intellirocks Tech. Co., Ltd,**
Shenzhen (CN)
(**) Term: **15 Years**
(21) Appl. No.: **29/704,435**
(22) Filed: **Sep. 5, 2019**
(51) **LOC (13) Cl.** **13-03**
(52) **U.S. Cl.**
USPC **D13/149; D13/147**
(58) **Field of Classification Search**
USPC D13/103, 107, 108, 118–121, 123, 133,
D13/145–147, 149, 151, 153, 154, 173,
D13/184, 199
CPC H01R 4/26; H01R 12/72; H01R 13/00;
H01R 13/58; H01R 13/62; H01R 13/627;
H01R 13/64; H01R 13/648; H01R 13/65;
H01R 13/658; H01R 24/00; H01R 31/06
See application file for complete search history.

(56) **References Cited**
U.S. PATENT DOCUMENTS
D324,027 S * 2/1992 Sueyoshi D13/133
D331,910 S * 12/1992 Sato D13/133
D384,034 S * 9/1997 Kuprewicz D13/133
6,561,824 B1 * 5/2003 Beckham G06F 1/1613
439/131
6,592,392 B2 * 7/2003 Po-Heng H01R 13/6272
439/358
D483,332 S * 12/2003 Verfuertth D13/147

D823,807 S * 7/2018 Armacost D13/146
D824,856 S * 8/2018 Corona D13/146
D836,071 S * 12/2018 Webb D13/147
D836,834 S * 12/2018 Cividi D27/194
D840,938 S * 2/2019 Hsu D13/147
2005/0064756 A1 * 3/2005 Hsiao H01R 13/6272
439/357
2015/0017841 A1 * 1/2015 Chen H01R 13/64
439/680
2017/0093104 A1 * 3/2017 Powers H01R 31/06
2018/0261940 A1 * 9/2018 Sherman H05K 3/325
2019/0157807 A1 * 5/2019 Jansson H01R 13/6205
2020/0161789 A1 * 5/2020 Flaherty, IV H01R 13/2421

* cited by examiner

Primary Examiner — Shawn T Gingrich
(74) *Attorney, Agent, or Firm* — W&G Law Group LLP

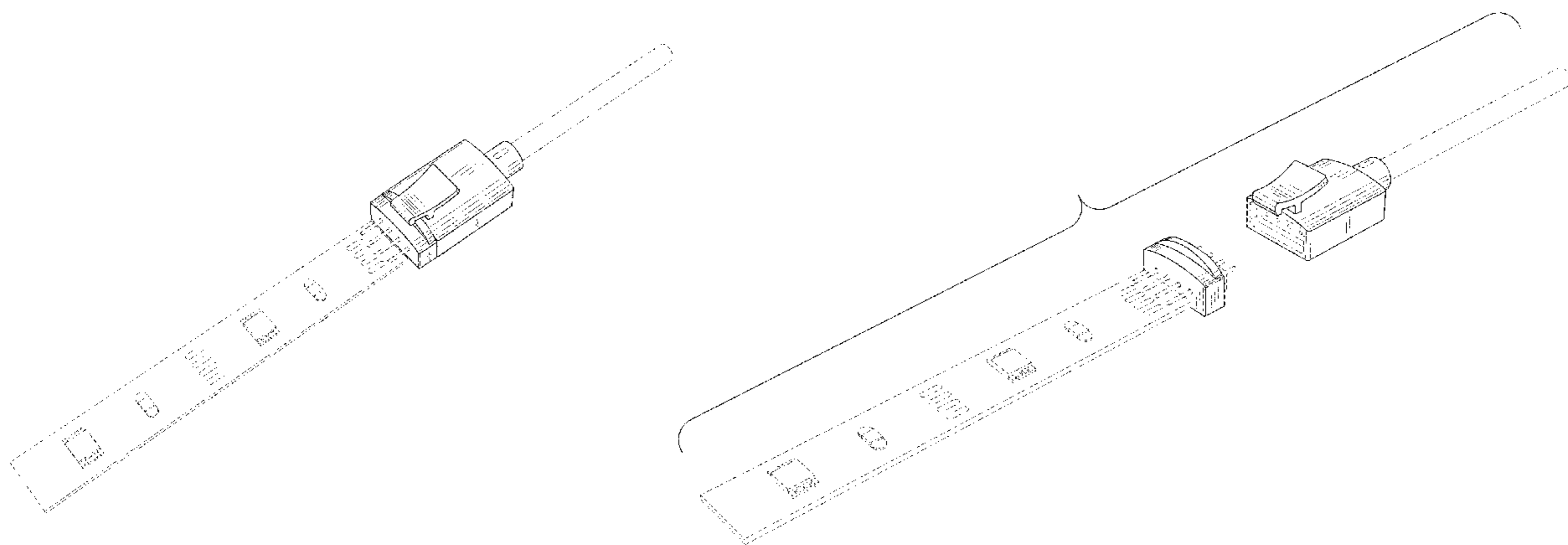
(57) **CLAIM**

The ornamental design for a connection buckle, as shown and described.

DESCRIPTION

FIG. 1 is a first perspective view of a connection buckle showing the new design;
FIG. 2 is a second perspective view of the connection buckle showing the new design;
FIG. 3 is a front view thereof;
FIG. 4 is a rear view thereof;
FIG. 5 is a left view thereof;
FIG. 6 is a right view thereof;
FIG. 7 is a top view thereof;
FIG. 8 is a bottom view thereof;
FIG. 9 is a first explosive view thereof; and,
FIG. 10 is second explosive view thereof.
The broken lines in the drawings show portions of the connection buckle which form no part of the claimed design.

1 Claim, 10 Drawing Sheets



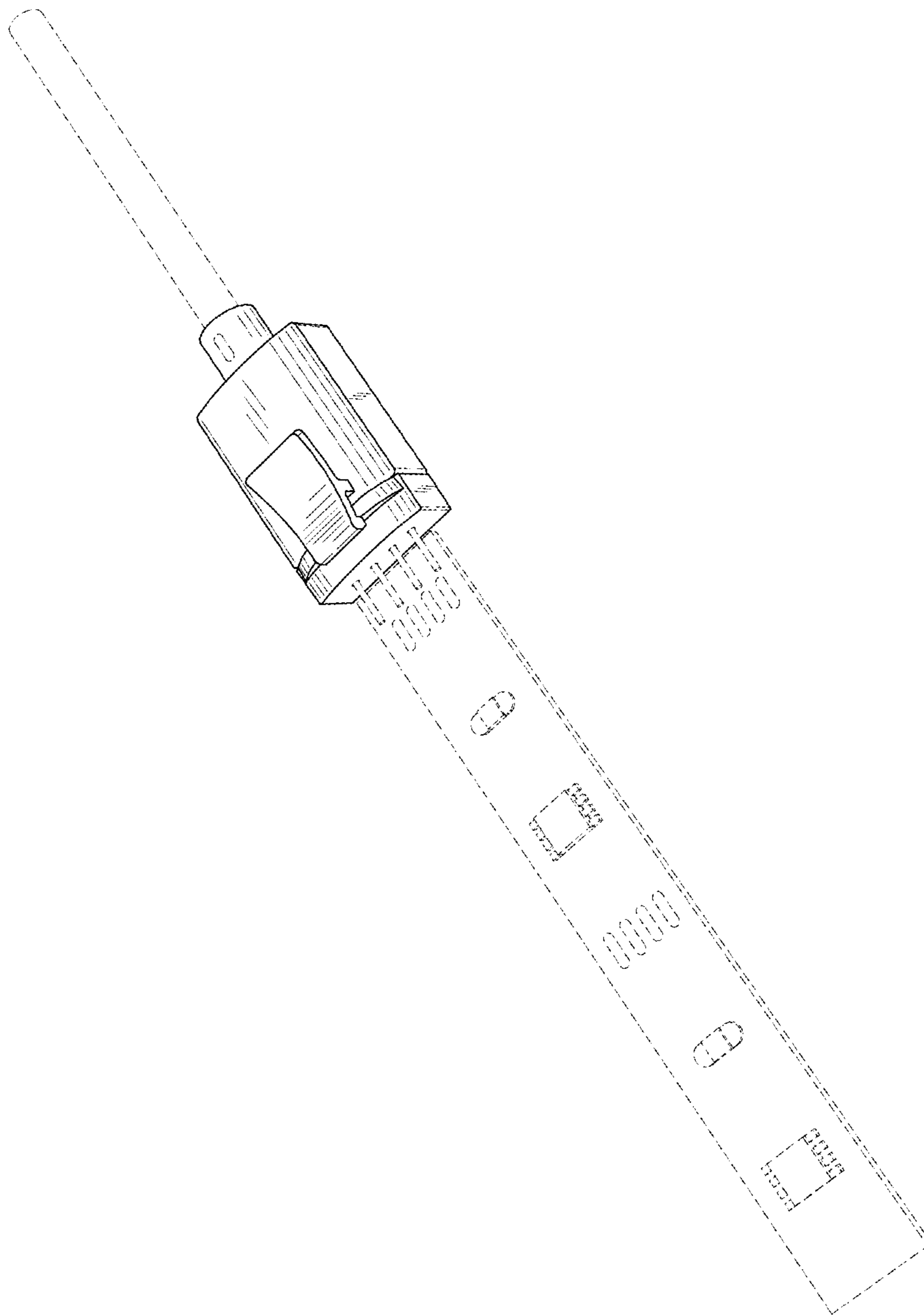


FIG. 1

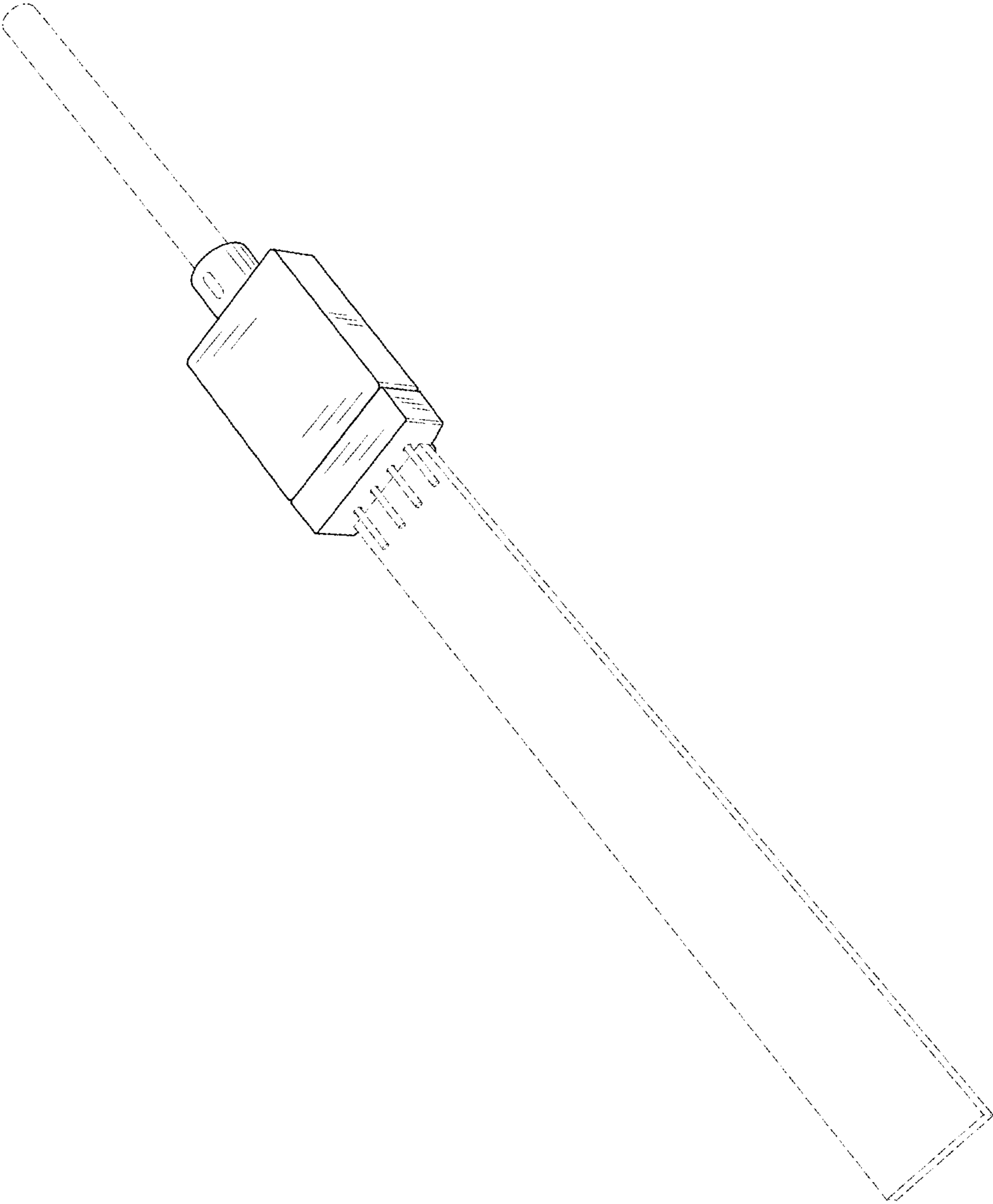


FIG. 2

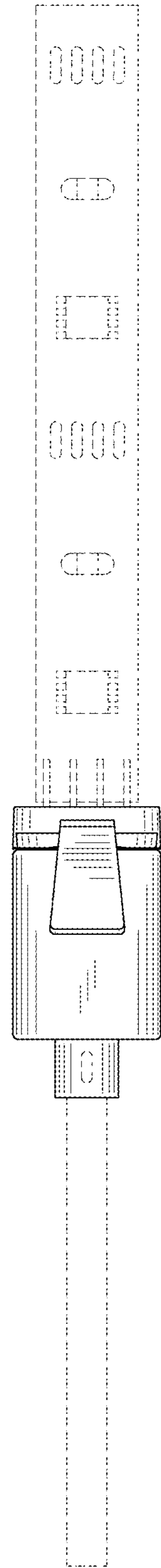


FIG. 3

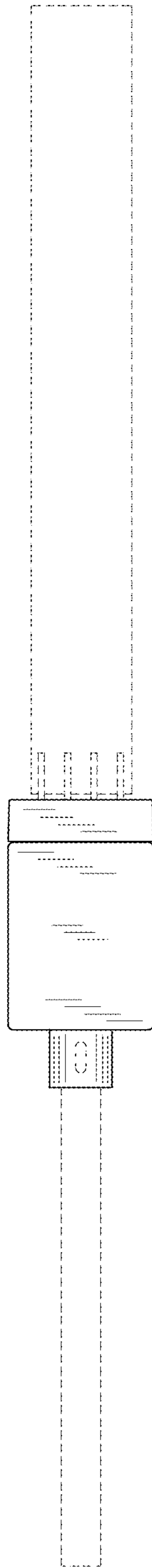


FIG. 4

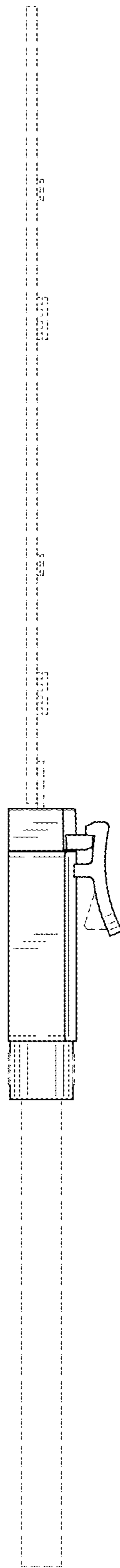


FIG. 5

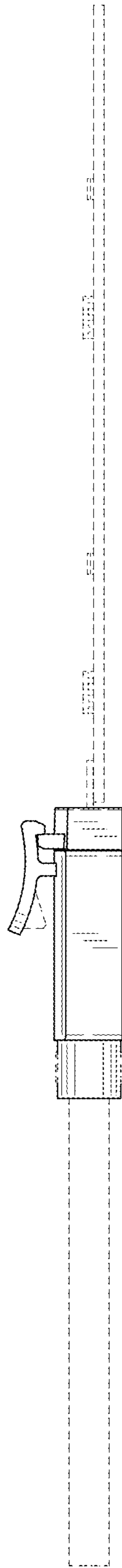


FIG. 6

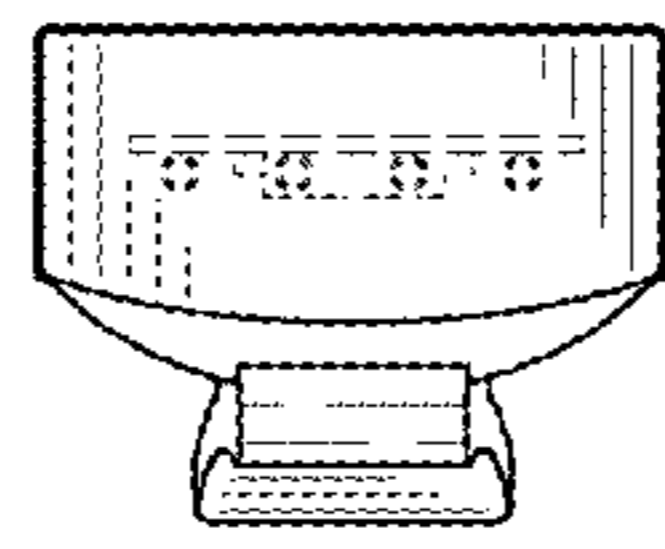


FIG. 7

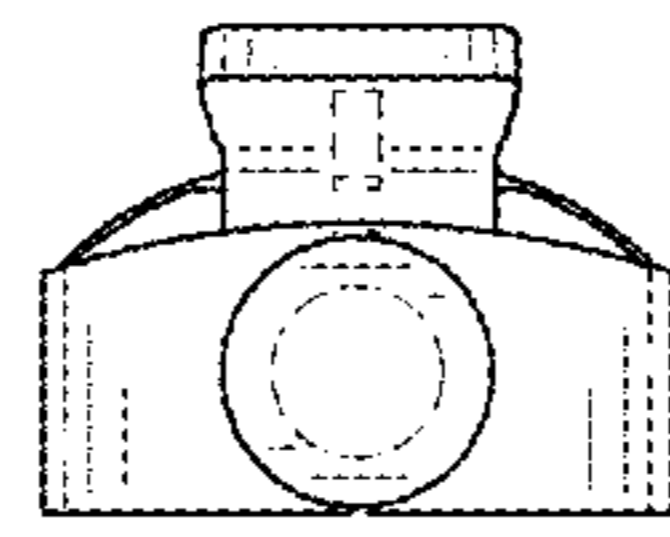


FIG. 8

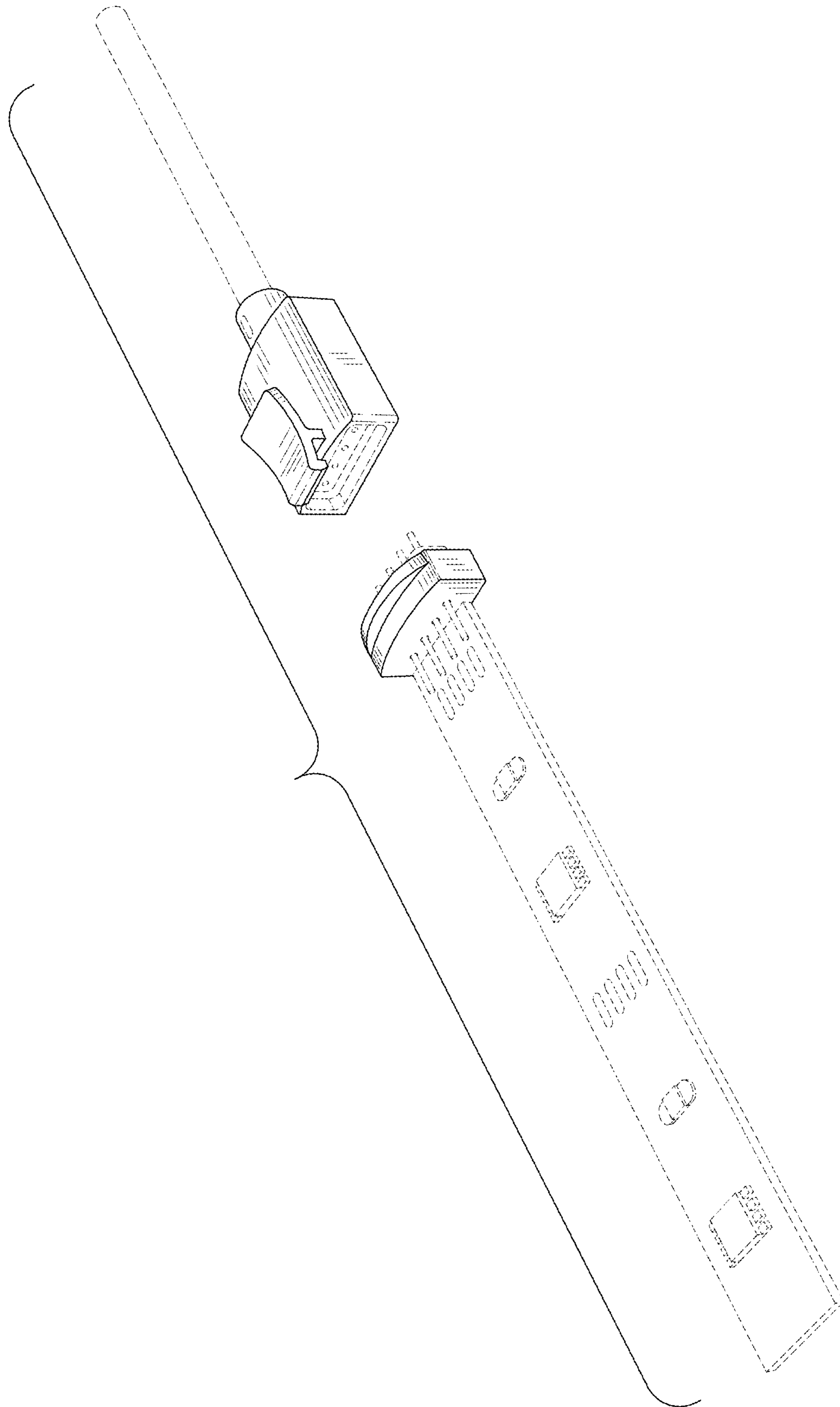


FIG. 9

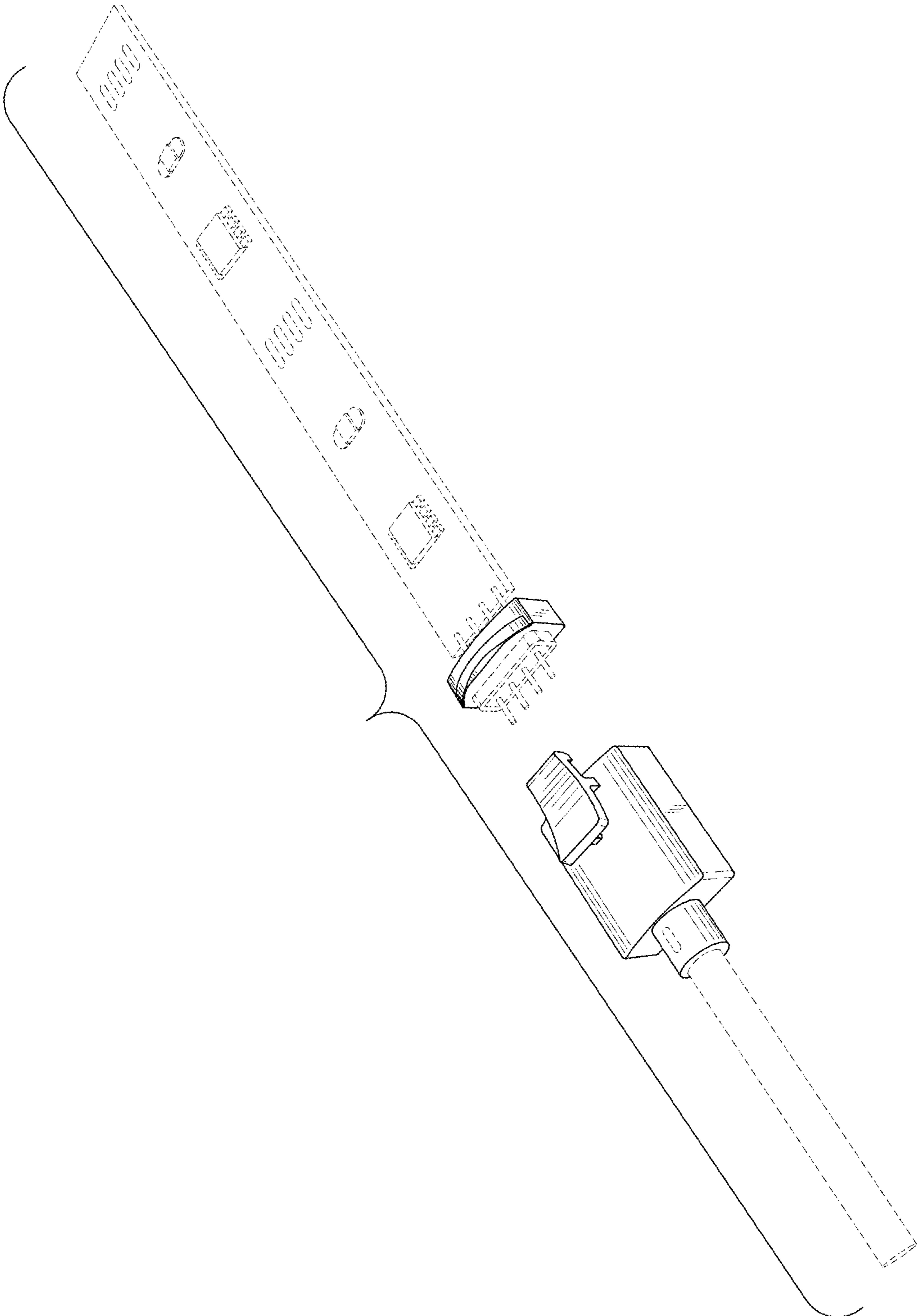


FIG. 10