



US00D924170S

(12) **United States Design Patent** (10) **Patent No.:** **US D924,170 S**
Williams Barnett et al. (45) **Date of Patent:** **** Jul. 6, 2021**

(54) **ELECTRICAL CONNECTOR**
(71) Applicant: **Samtec, Inc.**, New Albany, IN (US)
(72) Inventors: **Jean Karlo Williams Barnett**, New Albany, IN (US); **Jignesh H. Shah**, Santa Clara, CA (US); **Eric Zbinden**, Santa Clara, CA (US)
(73) Assignee: **SAMTEC, INC.**, New Albany, IN (US)
(**) Term: **15 Years**
(21) Appl. No.: **29/733,196**
(22) Filed: **Apr. 30, 2020**

Related U.S. Application Data

(62) Division of application No. 29/628,702, filed on Dec. 6, 2017, now Pat. No. Des. 886,066.
(51) **LOC (13) Cl.** **13-03**
(52) **U.S. Cl.**
USPC **D13/147**
(58) **Field of Classification Search**
USPC D13/133, 146, 147, 154, 184, 199
CPC H01R 9/075; H01R 9/16; H01R 12/616;
H01R 13/05; H01R 13/193; H01R 13/2464; H01R 13/2478; H01R 13/2485; H01R

(Continued)

(56) **References Cited**

U.S. PATENT DOCUMENTS

2,760,174 A 8/1956 Burtt et al.
4,477,142 A 10/1984 Cooper et al.

(Continued)

FOREIGN PATENT DOCUMENTS

CN 102780103 A 11/2012
CN 204243357 U 4/2015

(Continued)

Primary Examiner — Shawn T Gingrich
(74) *Attorney, Agent, or Firm* — BakerHostetler

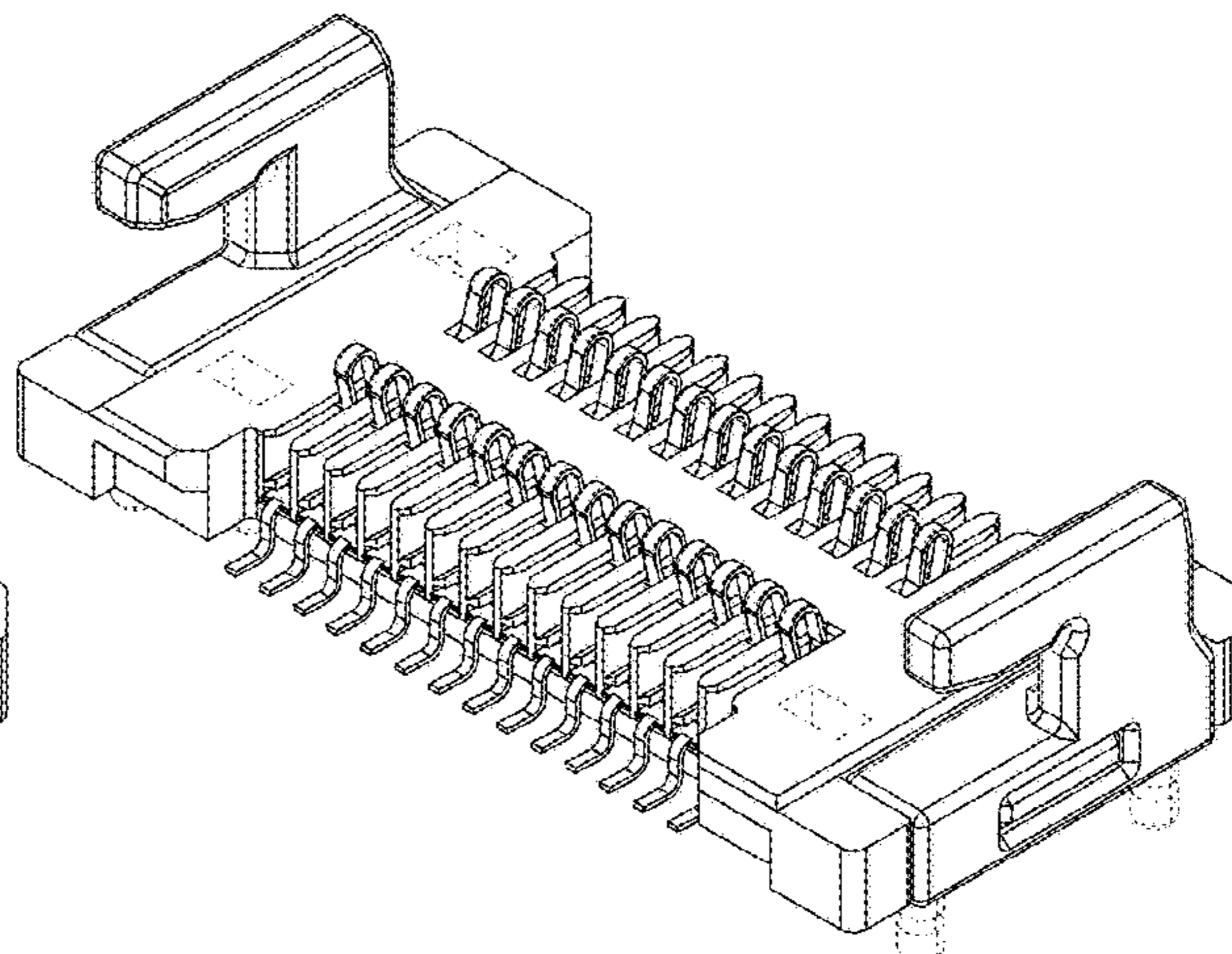
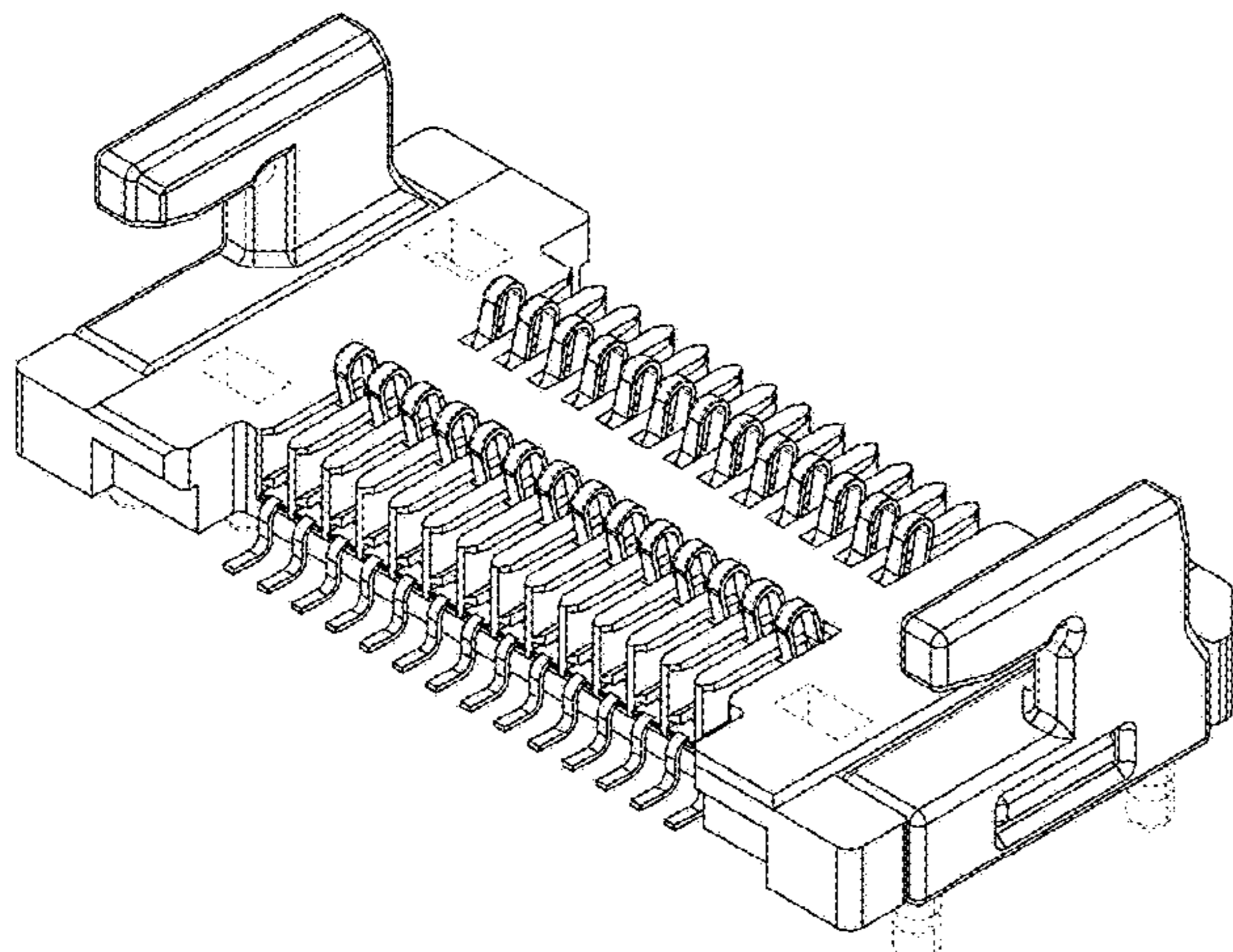
(57) **CLAIM**

The ornamental design for an electrical connector, as shown and described.

DESCRIPTION

FIG. 1 is a top, left, front perspective view of an electrical connector according to one embodiment of our design; FIG. 2 is another top, left, front perspective view thereof; FIG. 3 is a bottom, right, rear perspective view of thereof; FIG. 4 is another bottom, right, rear perspective view of thereof; FIG. 5 is a front elevation view thereof; FIG. 6 is a rear elevation view thereof; FIG. 7 is a right side elevation view thereof; FIG. 8 is a left side elevation view thereof; FIG. 9 is a top plan view thereof; FIG. 10 is a bottom plan view thereof; FIG. 11 is a top, left, front perspective view of an electrical connector according to another embodiment of our design; FIG. 12 is another top, left, front perspective view thereof; FIG. 13 is a bottom, right, rear perspective view of thereof; FIG. 14 is another bottom, right, rear perspective view of thereof; FIG. 15 is a front elevation view thereof; FIG. 16 is a rear elevation view thereof; FIG. 17 is a left side elevation view thereof; FIG. 18 is a right side elevation view thereof; FIG. 19 is a top plan view thereof; and, FIG. 20 is a bottom plan view thereof. The broken line portion in the drawings illustrate portions of the electrical connector that form no part of the claimed design.

1 Claim, 12 Drawing Sheets



US D924,170 S

(58) **Field of Classification Search**

CPC 13/2492; H01R 13/6271; H01R 13/6275;
H01R 13/6335; H01R 13/642; H01R
13/659; H01R 12/00; H01R 13/60; H01R
13/62; H01R 13/627

See application file for complete search history.

10,367,282 B2 7/2019 Harmon et al.
D860,140 S 9/2019 Wu
D886,066 S * 6/2020 Williams Barnett D13/154
2002/0052131 A1 5/2002 Hashimoto
2007/0218759 A1 9/2007 Liang et al.
2008/0222351 A1 9/2008 Verdiell et al.
2009/0305528 A1* 12/2009 Hirata H01R 12/716
439/74

(56) **References Cited**

U.S. PATENT DOCUMENTS

4,544,225 A 10/1985 Raus et al.
4,639,063 A 1/1987 Mueller
4,678,252 A 7/1987 Moore
5,167,523 A 12/1992 Crimmins et al.
5,224,873 A 7/1993 Duffet et al.
5,396,402 A 3/1995 Perugini et al.
5,462,441 A 10/1995 Renn et al.
5,507,657 A 4/1996 Seto et al.
5,722,849 A 3/1998 Alwine
5,775,957 A 7/1998 Fink et al.
6,048,221 A 4/2000 McCleerey et al.
6,176,725 B1 1/2001 Kobayashi et al.
6,638,105 B1 10/2003 Wu
7,001,200 B2 2/2006 Yoshie
D528,985 S * 9/2006 Peng D13/147
D529,443 S * 10/2006 Chien D13/147
7,134,895 B1 11/2006 Choy et al.
7,329,054 B1 2/2008 Epitoux et al.
7,479,017 B1 1/2009 Koopman et al.
D589,891 S * 4/2009 Peng D13/147
D589,901 S 4/2009 Peng et al.
7,648,287 B2 1/2010 Epitoux et al.
7,682,179 B1 3/2010 Tsai
7,766,559 B2 8/2010 Epitoux et al.
7,824,112 B2 11/2010 Epitoux et al.
8,057,248 B1 11/2011 Sherman
D697,031 S * 1/2014 Yoshisuji D13/147
D708,145 S 7/2014 McCartin et al.
D708,580 S 7/2014 McCartin et al.
D721,332 S 1/2015 Yokoo
D722,968 S * 2/2015 Takemoto D13/147
D729,173 S * 5/2015 Fukumoto D13/147
D736,714 S 8/2015 Mongold et al.
9,246,280 B2 1/2016 Neer et al.
9,374,165 B2 6/2016 Zbinden et al.
D800,070 S * 10/2017 Manba D13/147
D820,216 S * 6/2018 Wu D13/147
D822,611 S * 7/2018 Bettman D13/147
D835,048 S * 12/2018 Arai D13/147
10,290,962 B2 5/2019 Harmon
10,297,963 B2 5/2019 Herring et al.

2010/0120268 A1 5/2010 Cheng-Chi
2010/0130044 A1* 5/2010 Taketomi H01R 12/88
439/260
2011/0123150 A1 5/2011 Zbinden et al.
2011/0123151 A1 5/2011 Zbinden et al.
2012/0257360 A1 10/2012 Sun
2012/0289066 A1* 11/2012 Wang H01R 12/83
439/65
2013/0004120 A1 1/2013 Zbinden et al.
2013/0129346 A1 5/2013 Zbinden et al.
2013/0148973 A1 6/2013 Zbinden et al.
2013/0344710 A1* 12/2013 Sasaki H01R 12/716
439/65
2014/0017914 A1* 1/2014 Endo H01R 9/00
439/81
2014/0082977 A1 3/2014 Pilon
2014/0161407 A1 6/2014 Lee et al.
2015/0357734 A1 12/2015 Copper et al.
2015/0364865 A1 12/2015 Sutter et al.
2016/0079692 A1 3/2016 Sasame et al.
2017/0062963 A1 3/2017 Tagami et al.
2017/0174167 A1 6/2017 Collazo Gomez
2020/0185849 A1* 6/2020 Chi H01R 12/88
2020/0220286 A1 7/2020 Bettman et al.

FOREIGN PATENT DOCUMENTS

CN 104810683 A 7/2015
CN 204668509 U 9/2015
CN 105514708 A 4/2016
CN 105655784 A 6/2016
CN 207765710 U 8/2018
JP 2002-093495 A 3/2002
JP 2011-222273 A 11/2011
KR 10-2015-0044212 A 4/2015
KR 10-2016-0071753 A 6/2016
TW I223479 B 11/2004
TW D164746 12/2014
TW D183201 8/2016
TW D180510 1/2017
TW D184085 7/2017
WO 2018/035108 2/2018

* cited by examiner

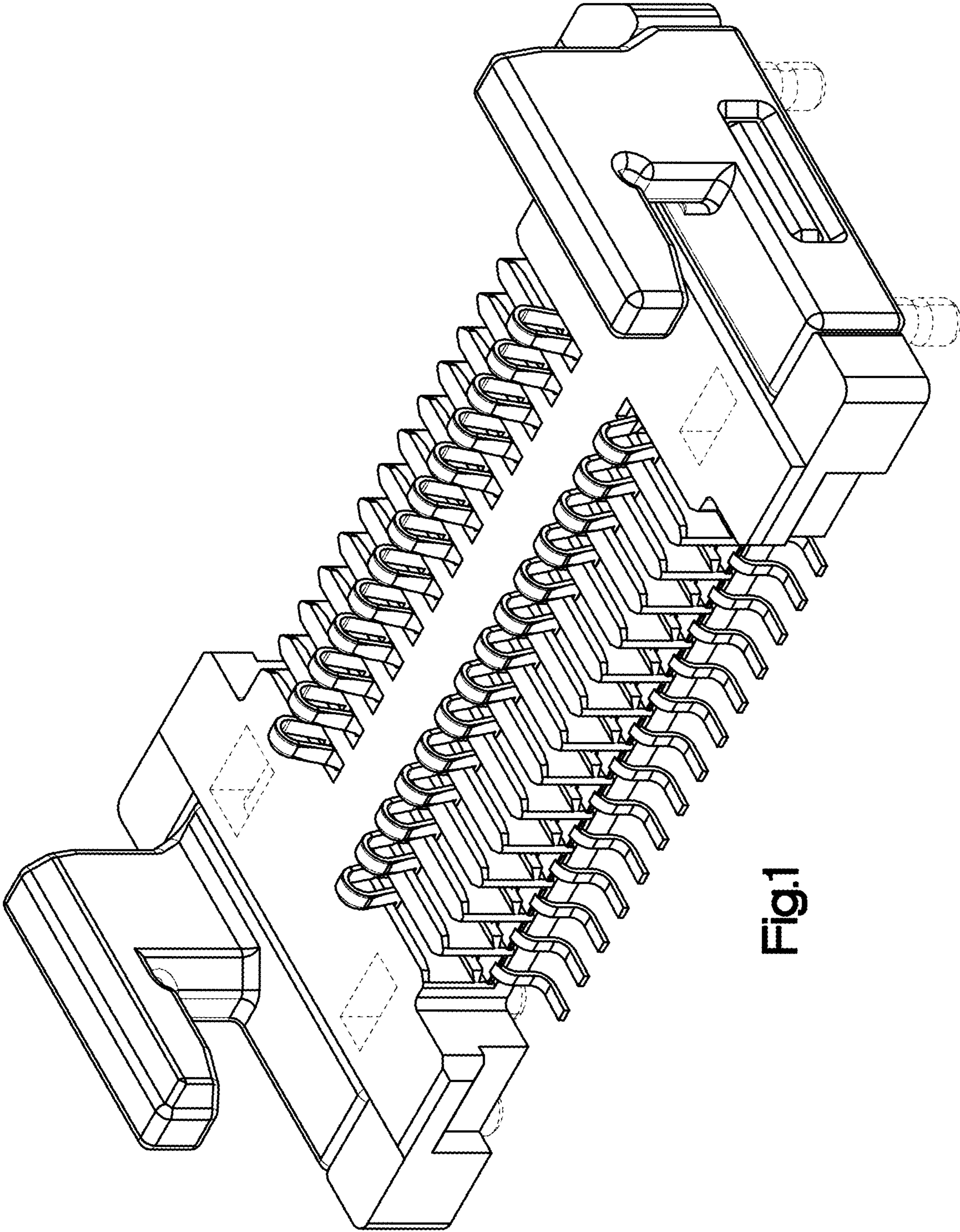


Fig.1

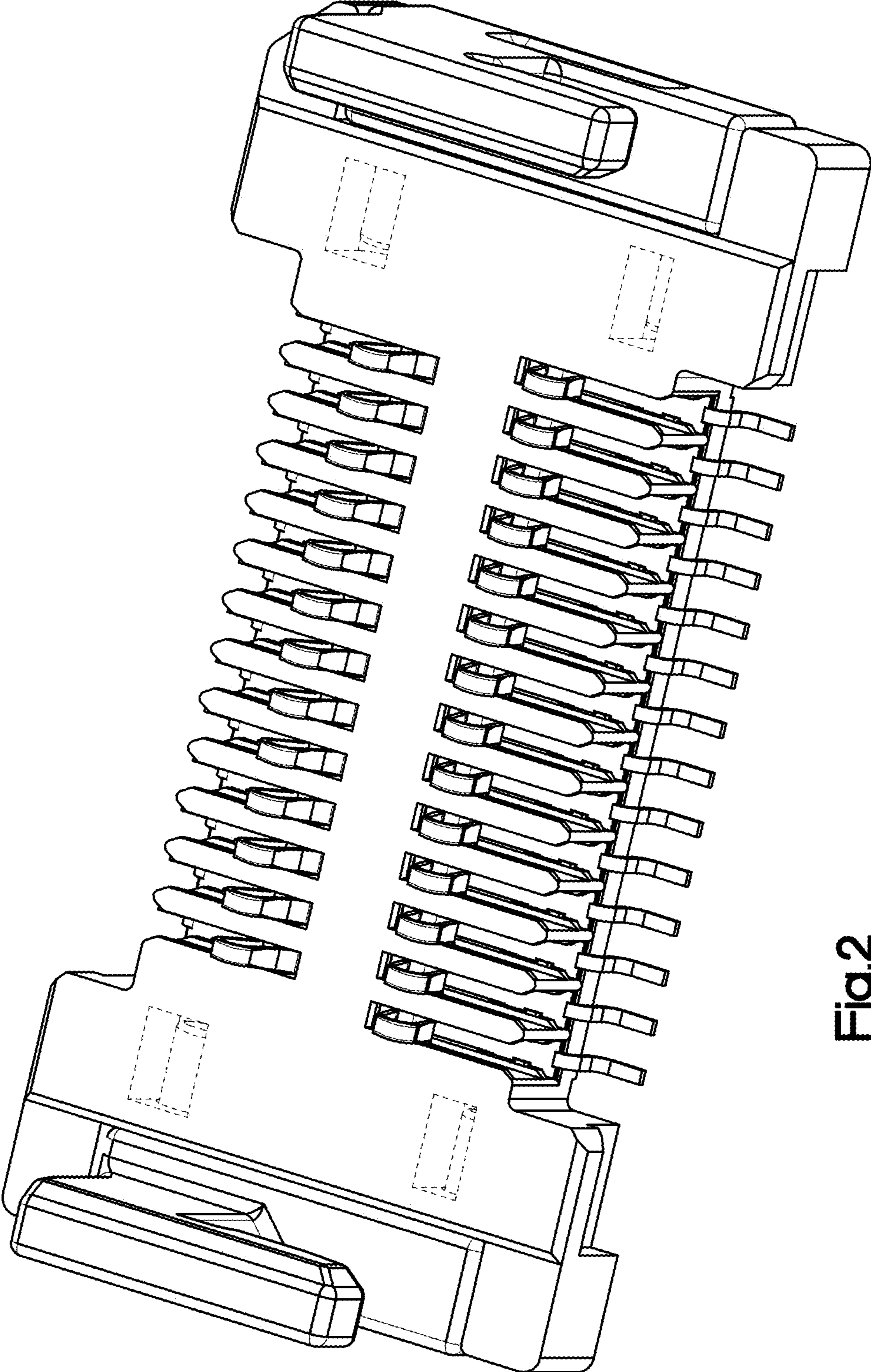


Fig.2

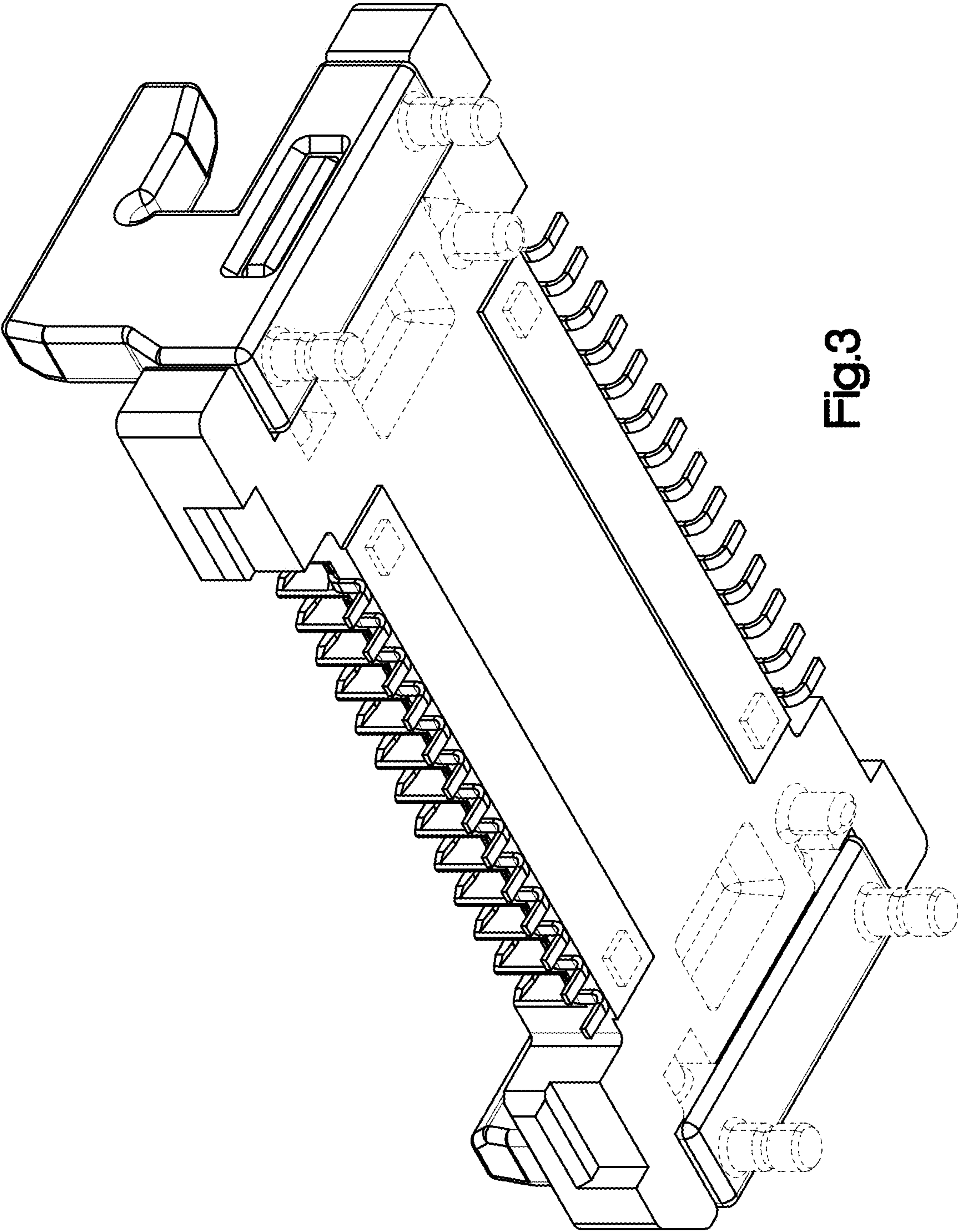


Fig.3

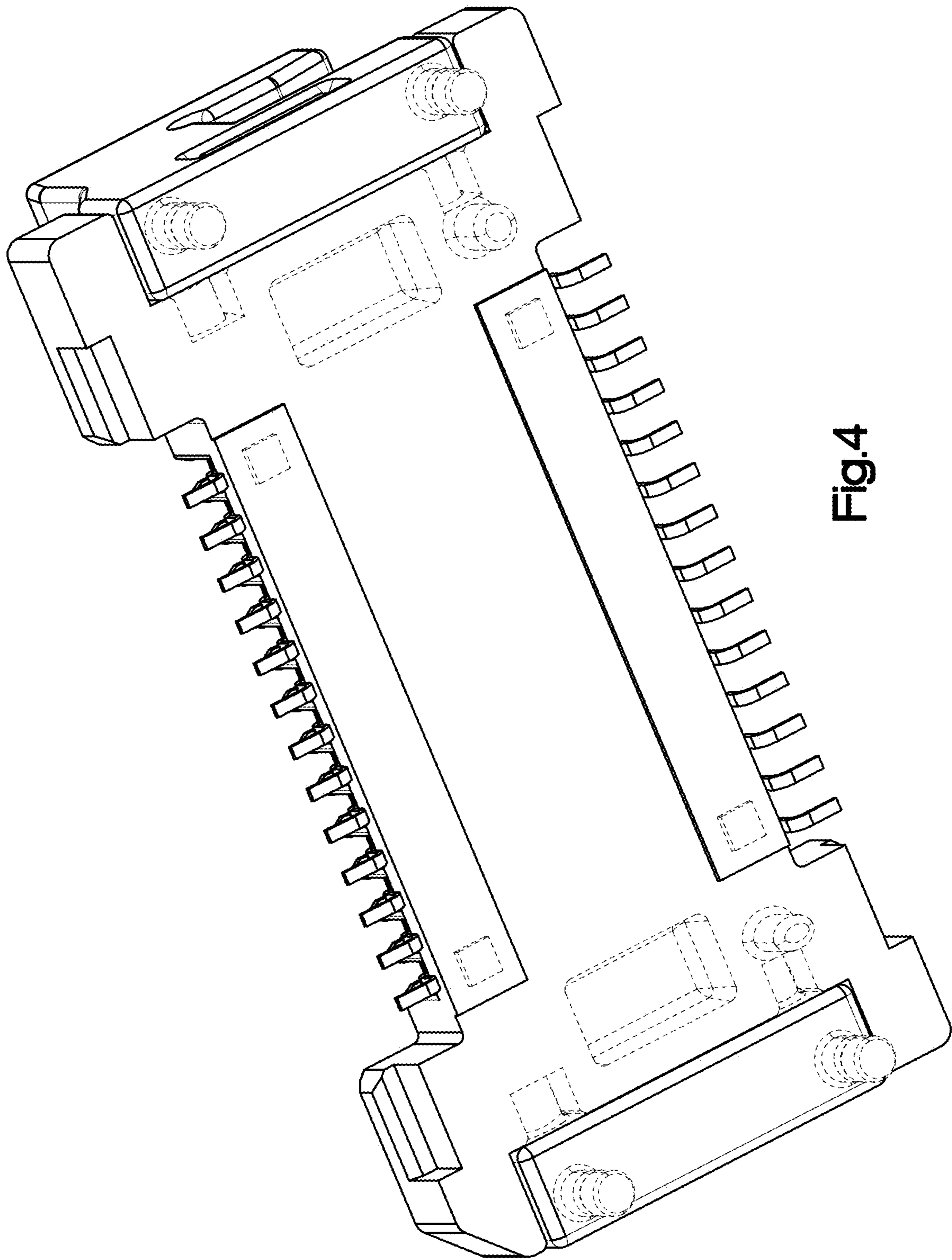


Fig.4

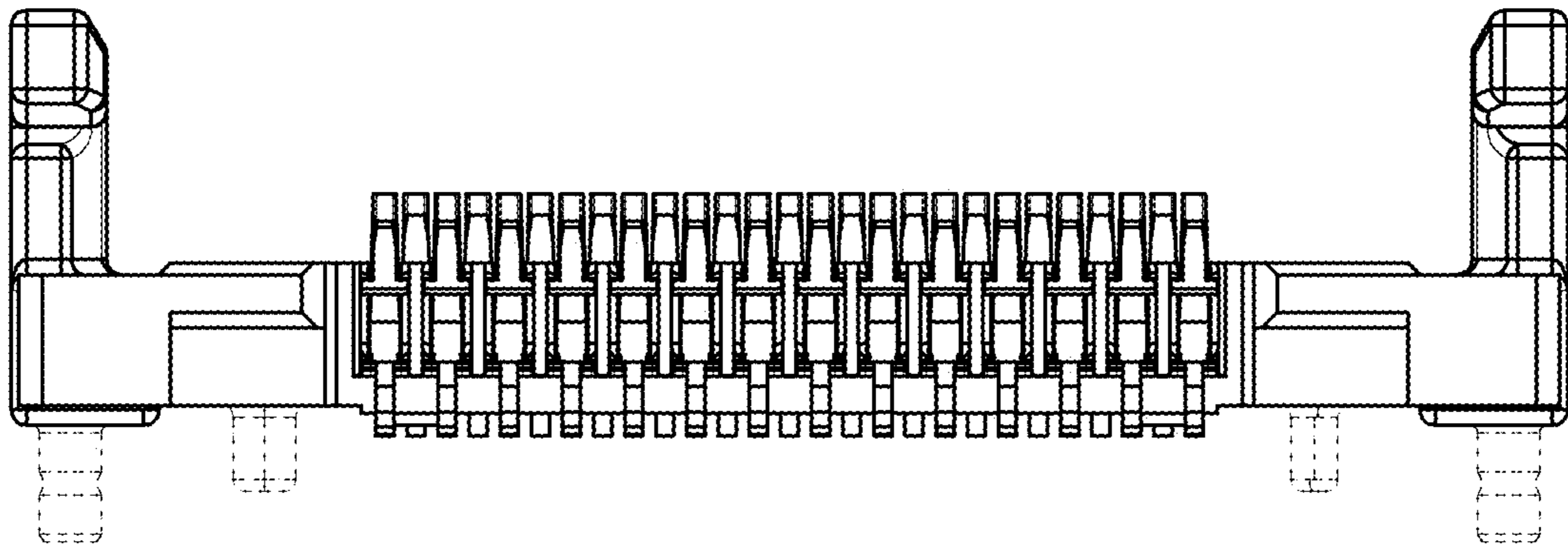


Fig.5

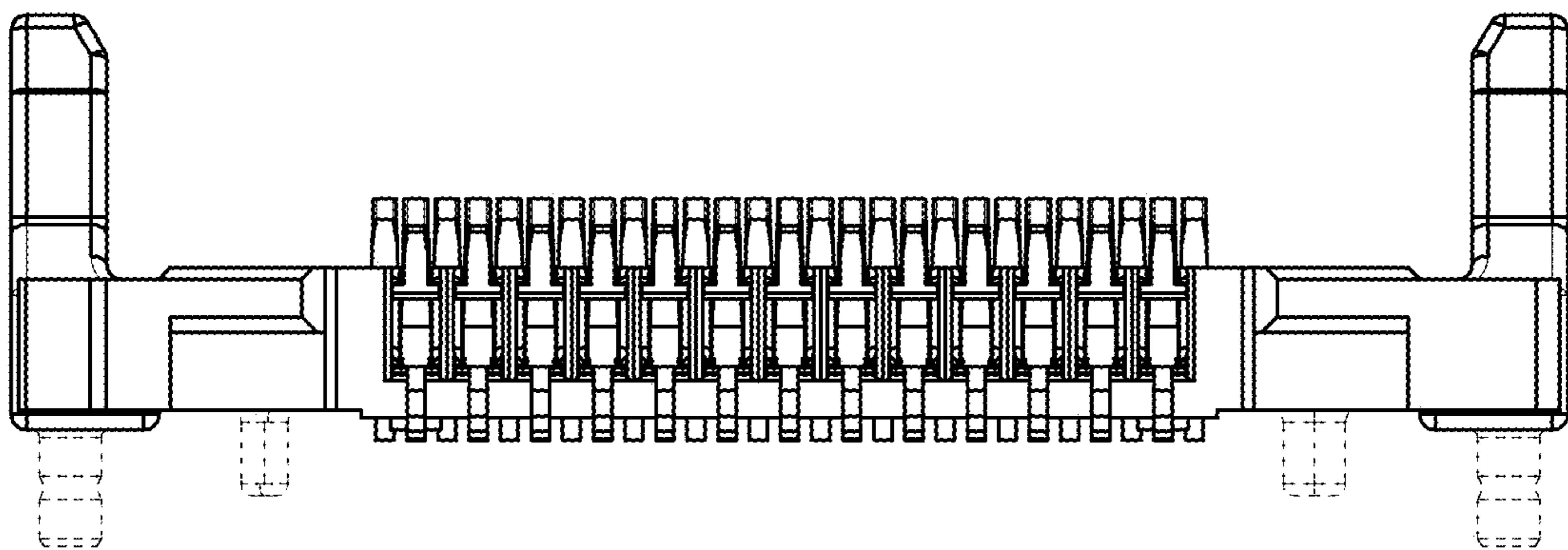


Fig.6

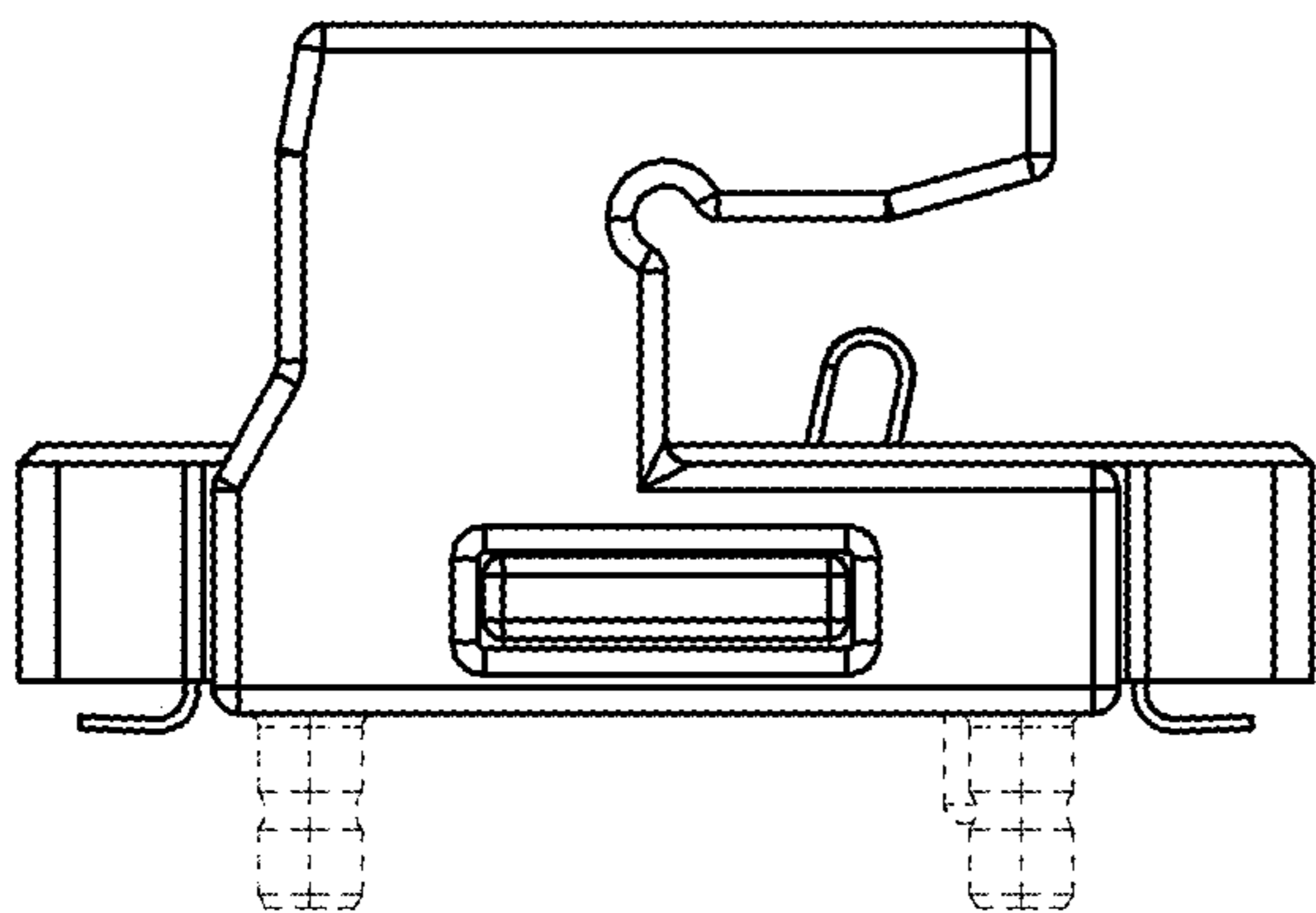


Fig.7

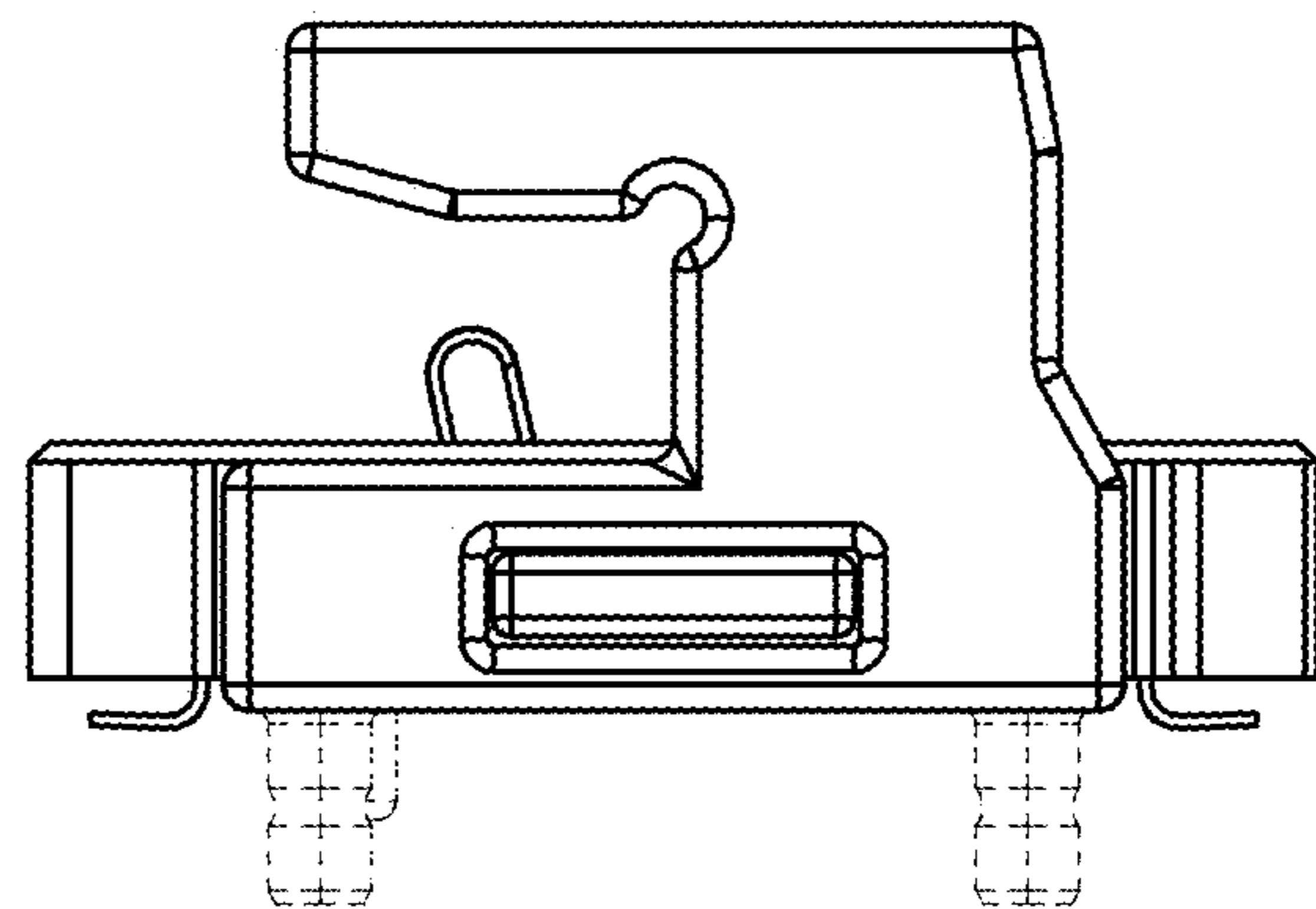


Fig.8

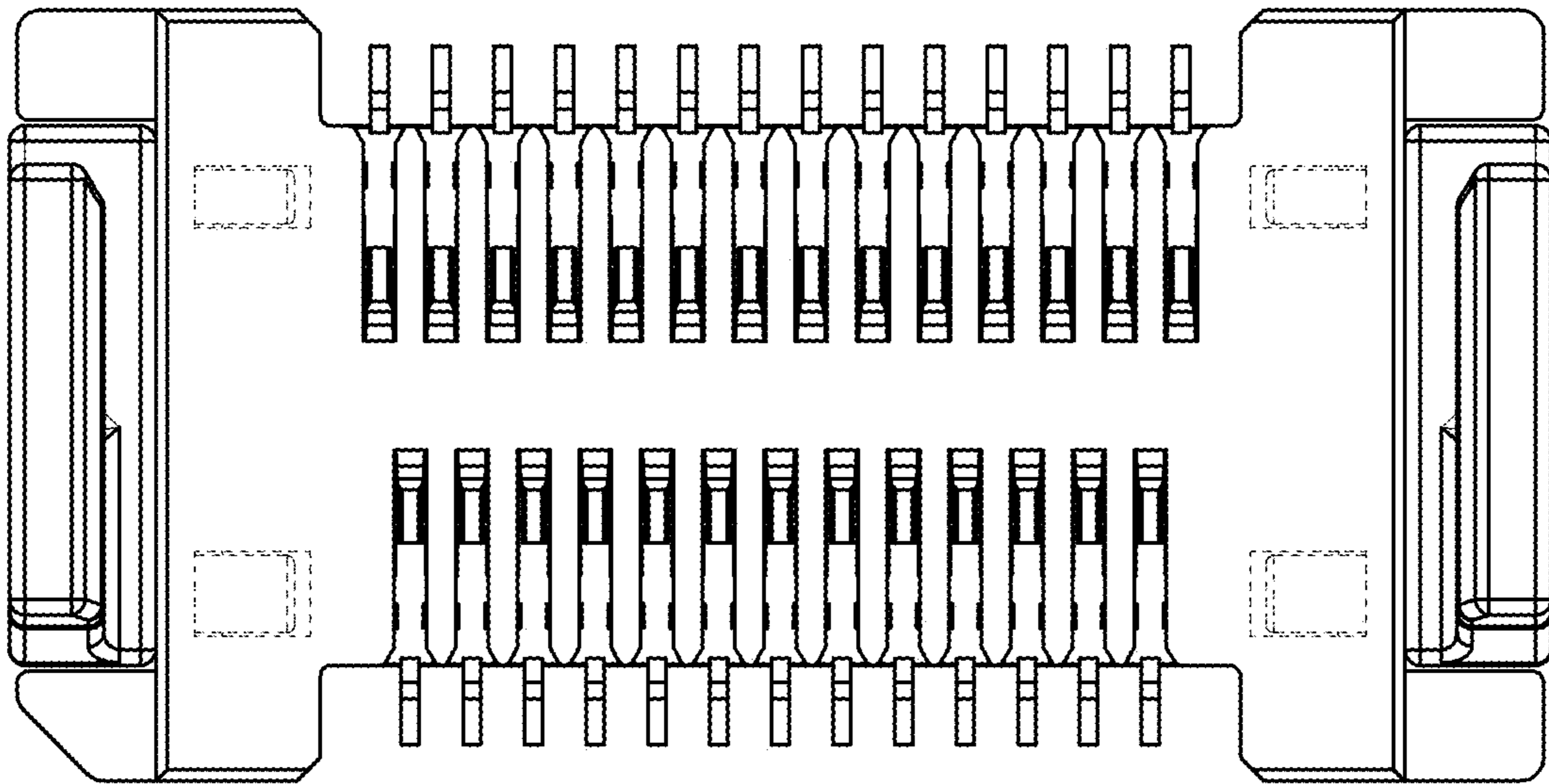


Fig.9

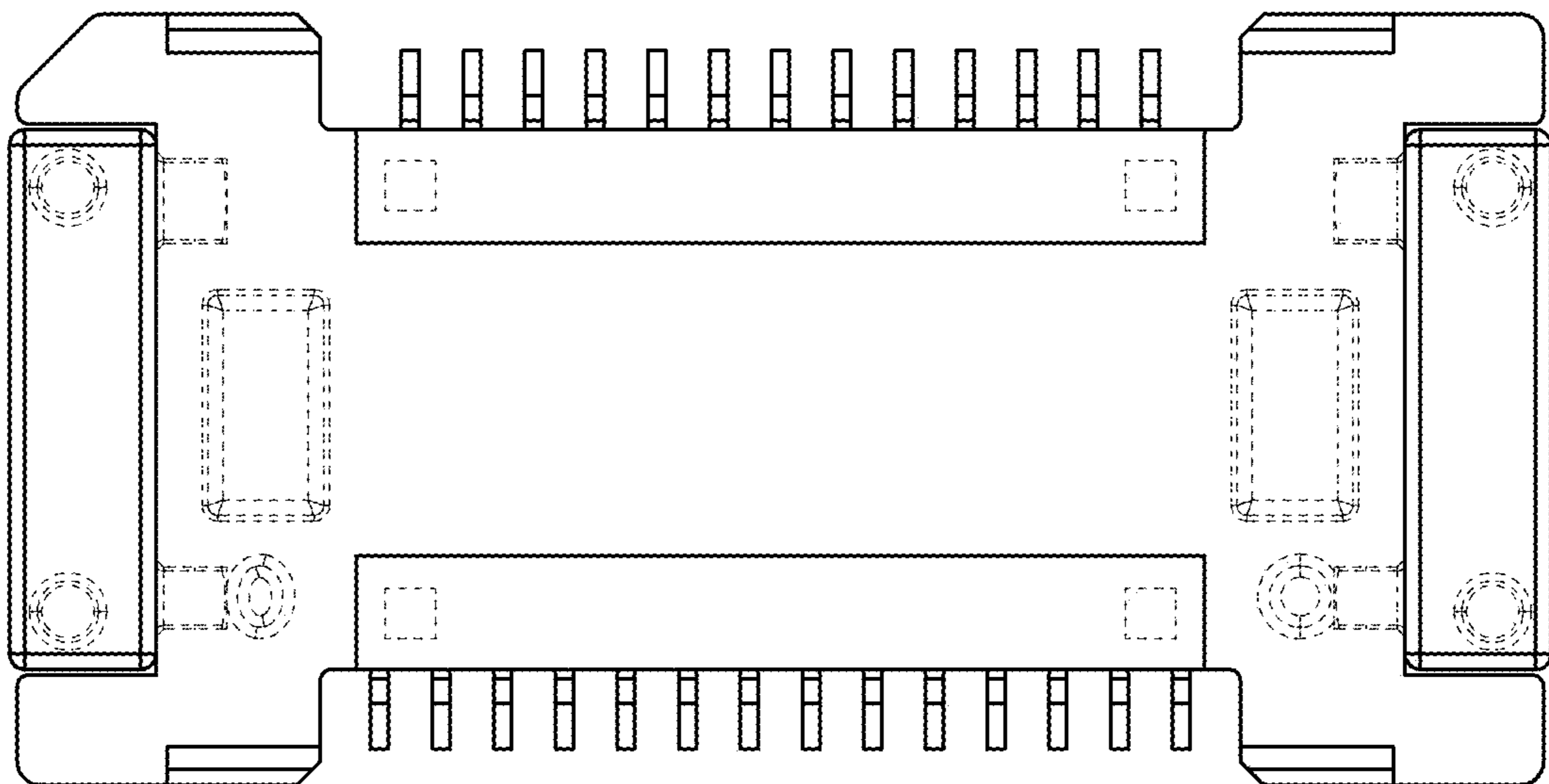


Fig.10

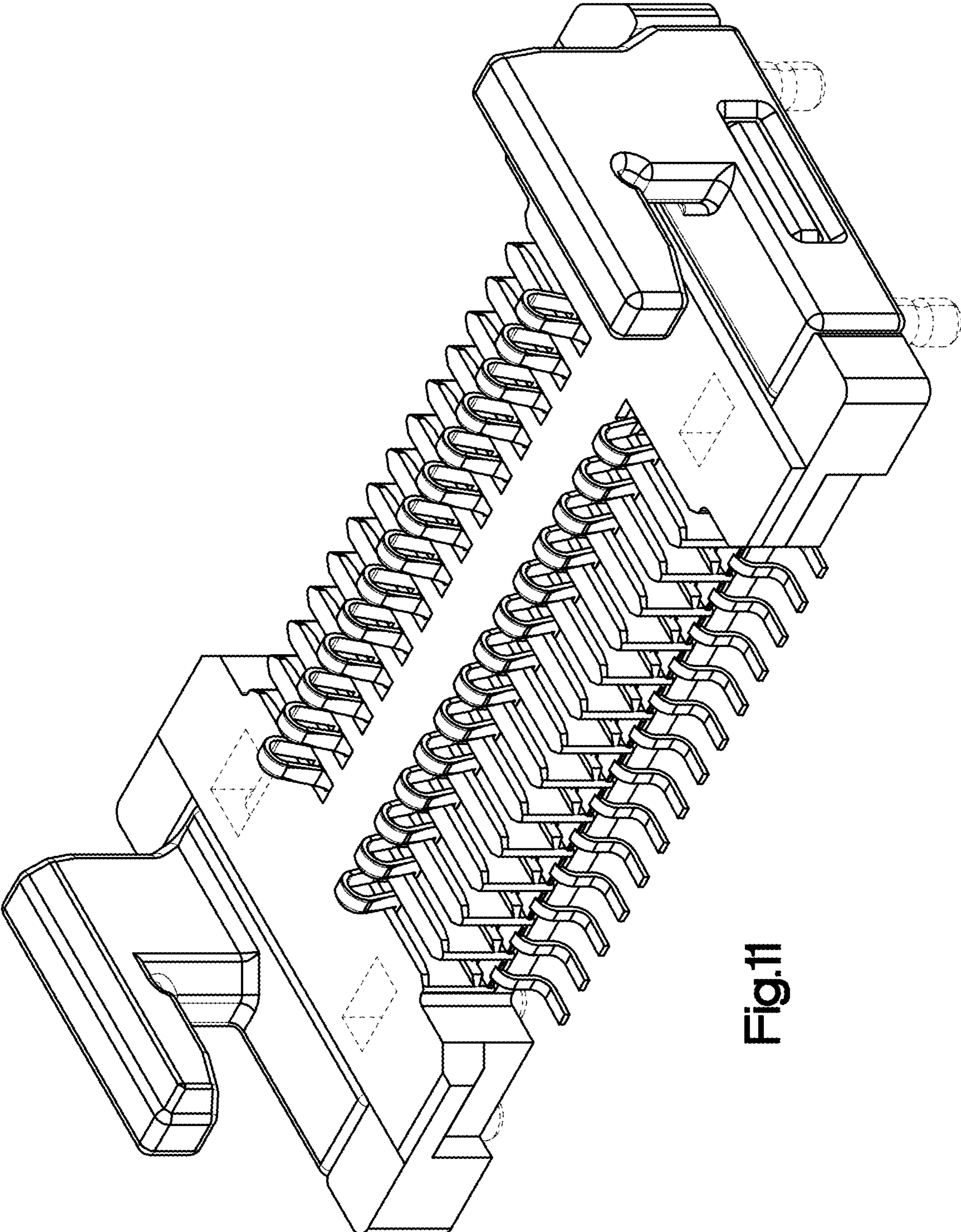


Fig.11

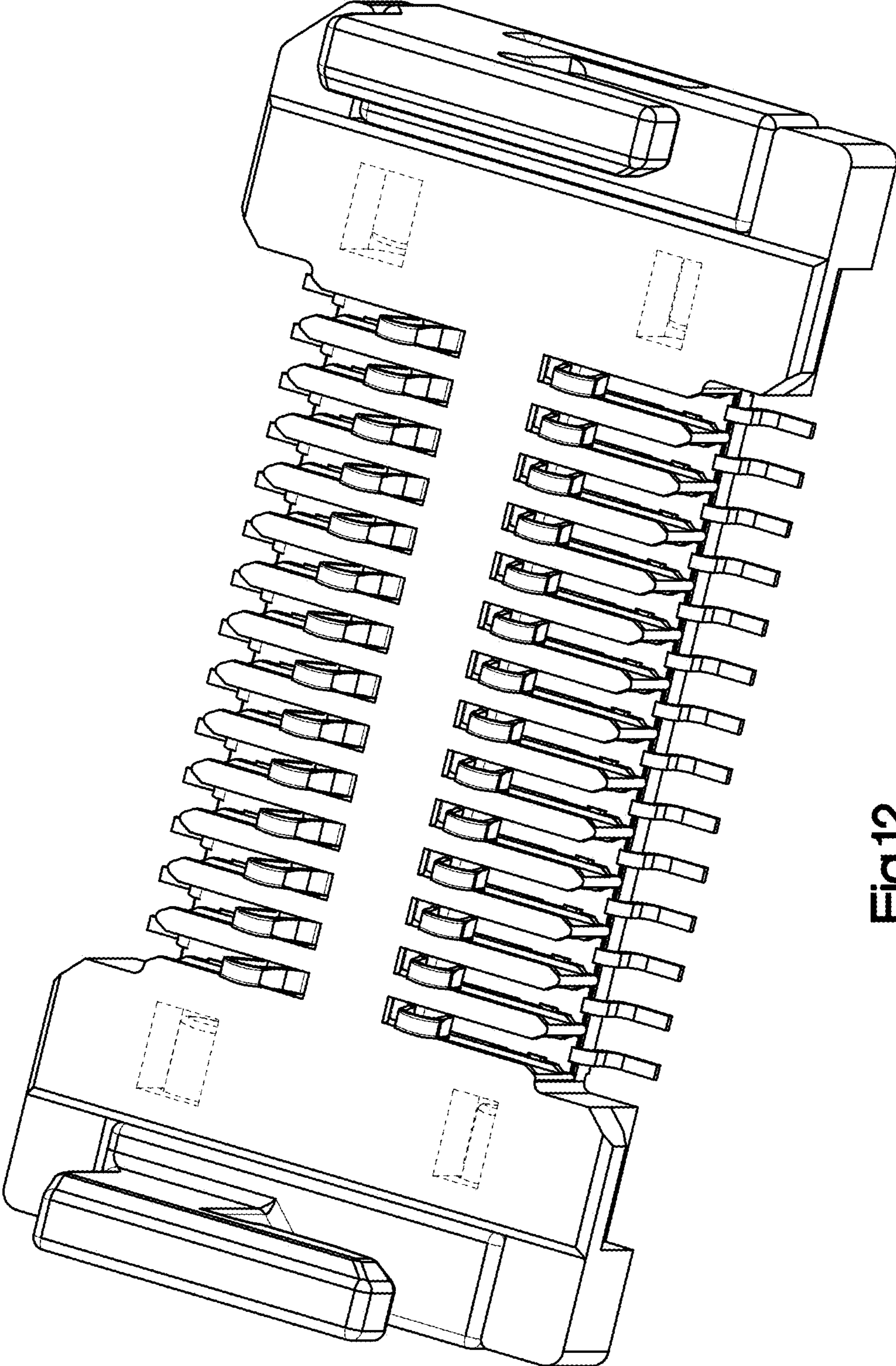


Fig.12

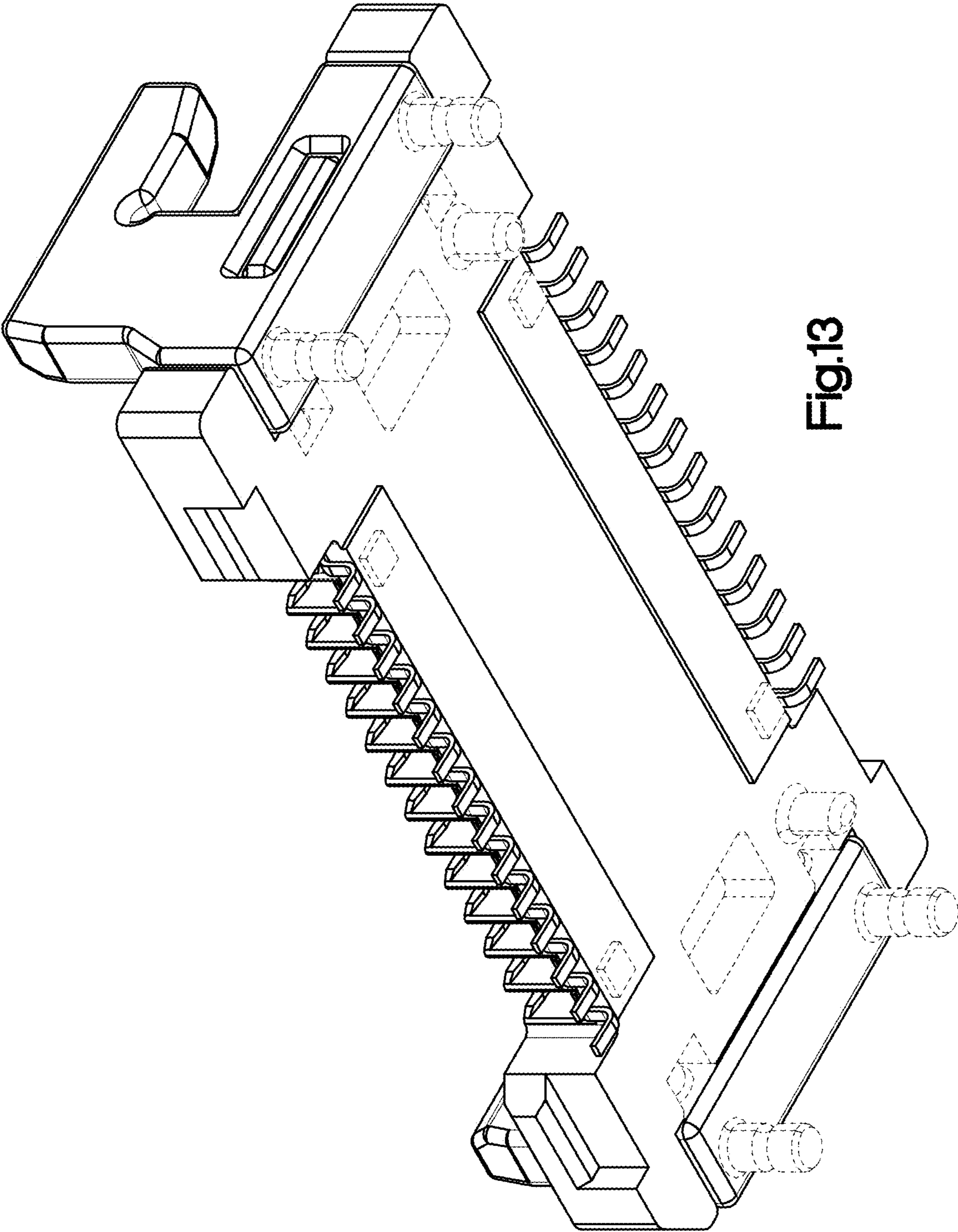


Fig.13

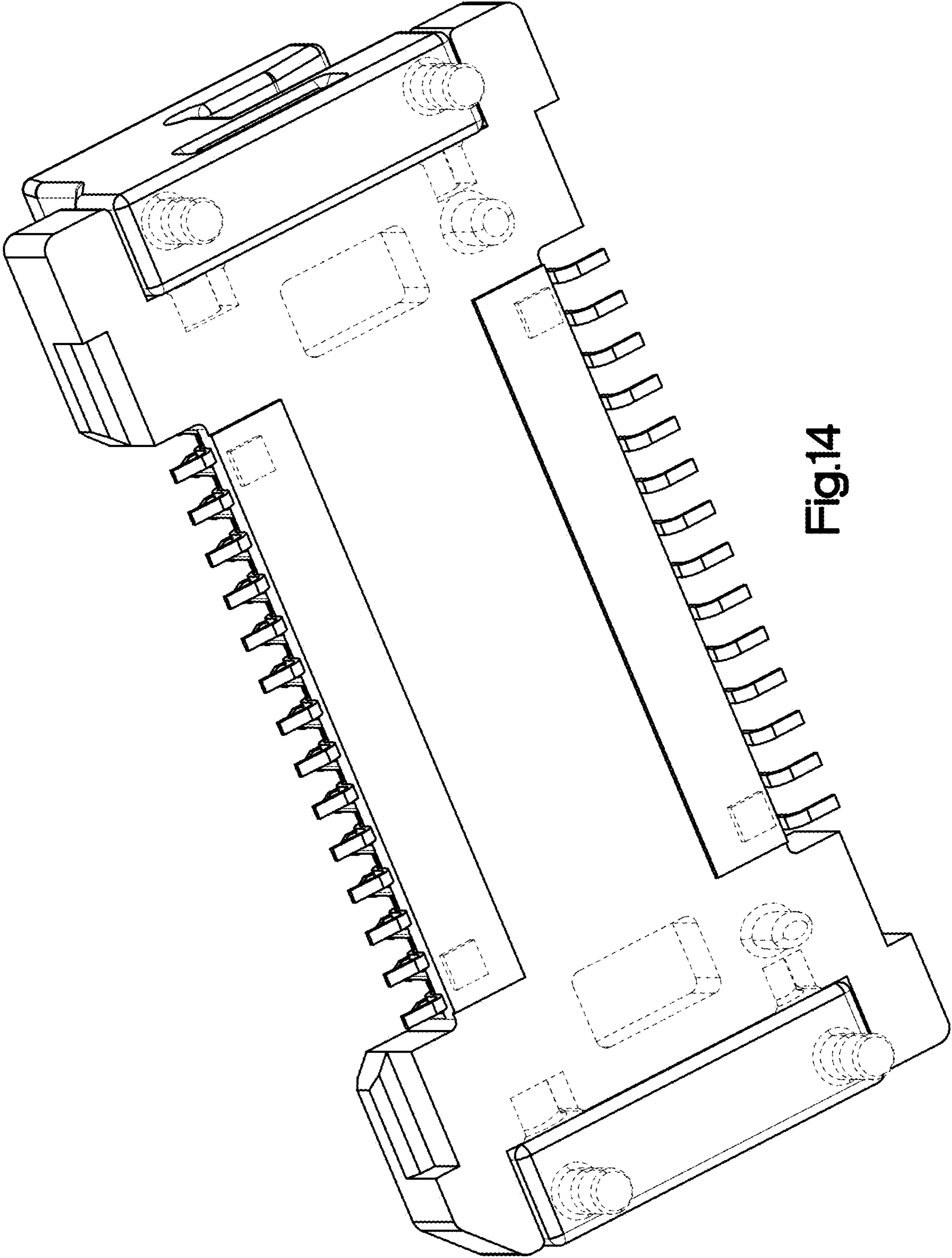


Fig.14

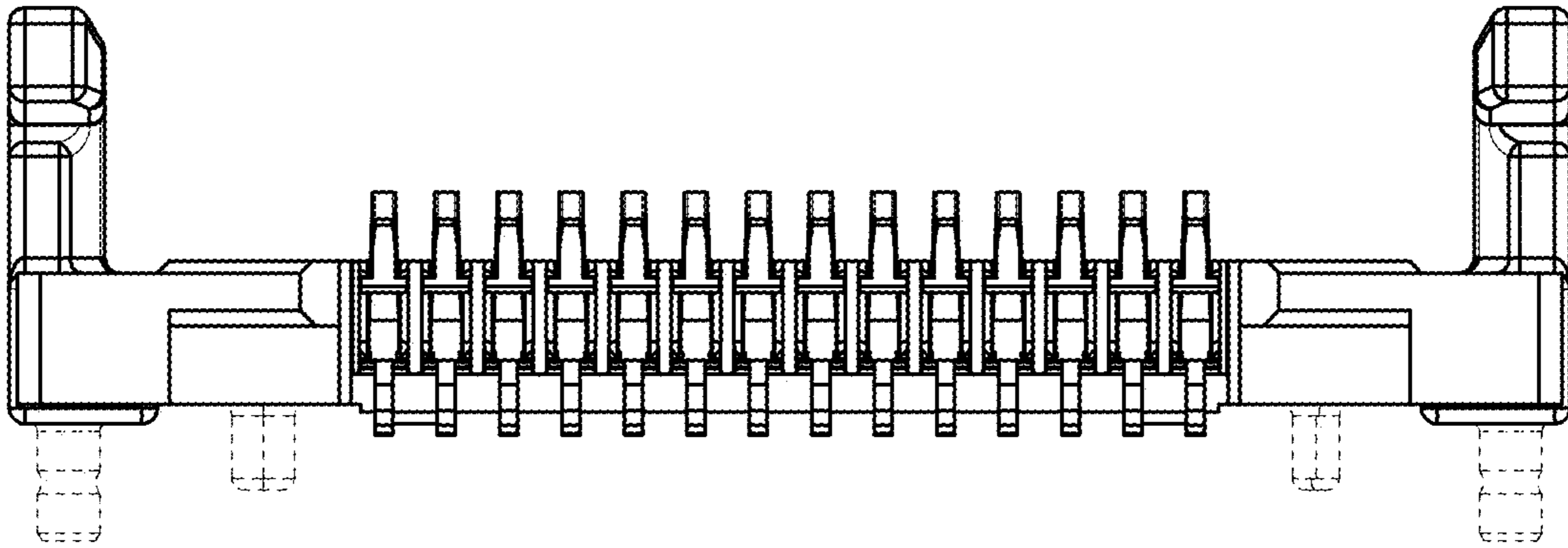


Fig.15

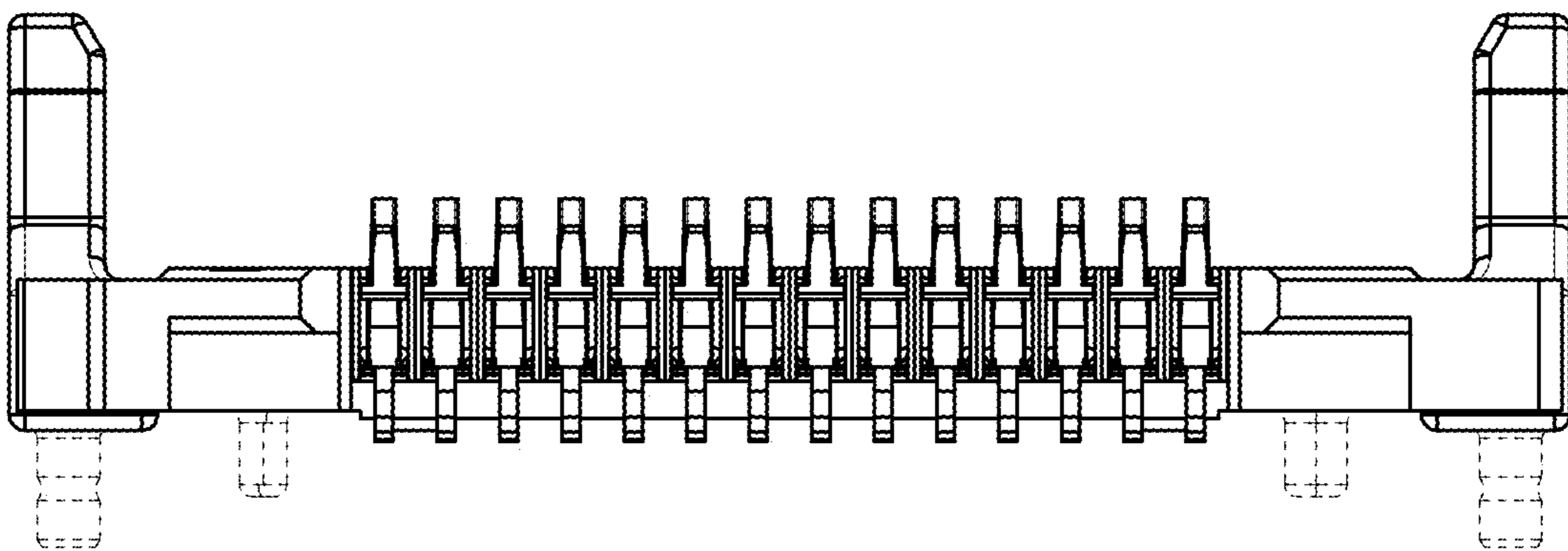


Fig.16

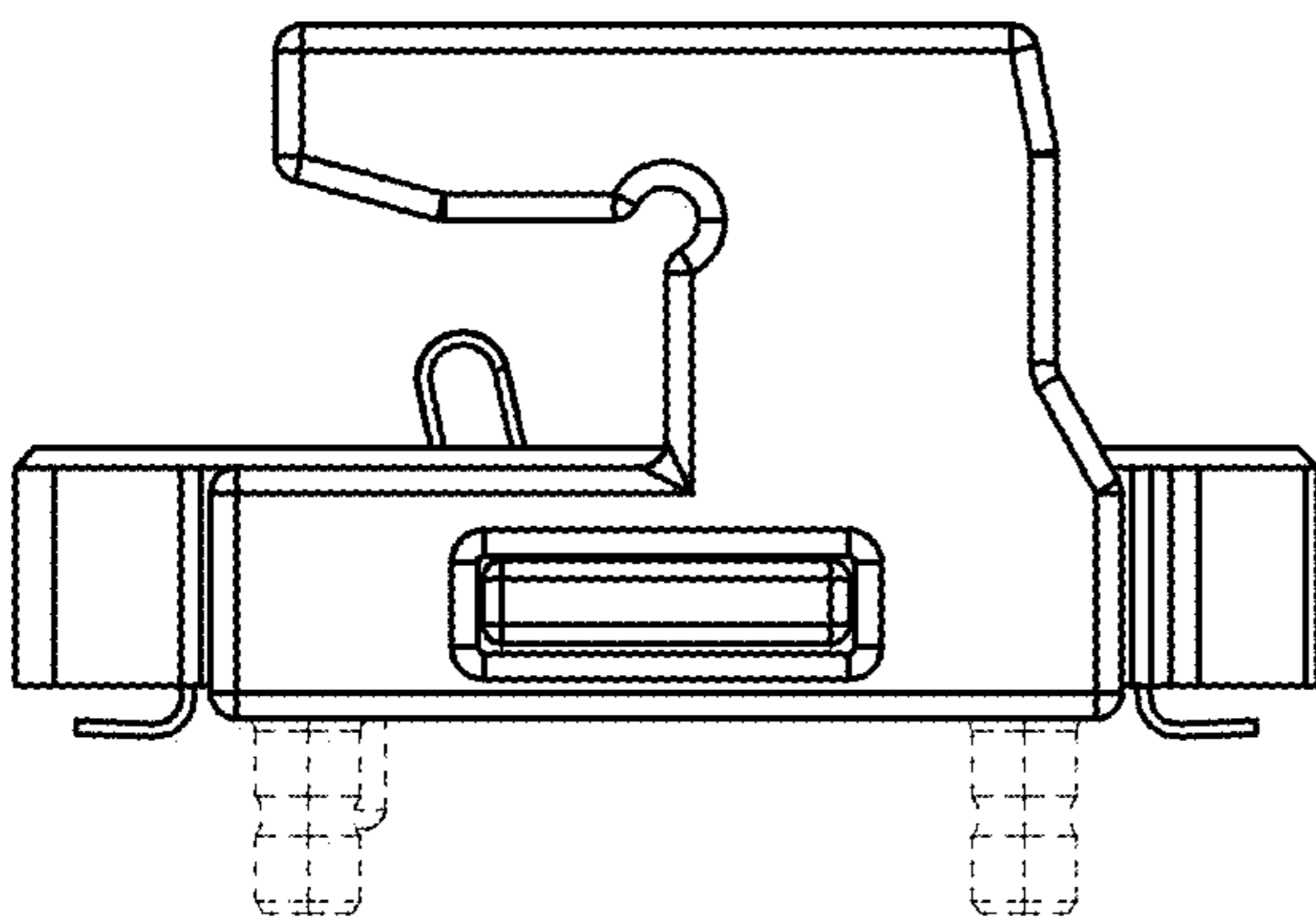


Fig.17

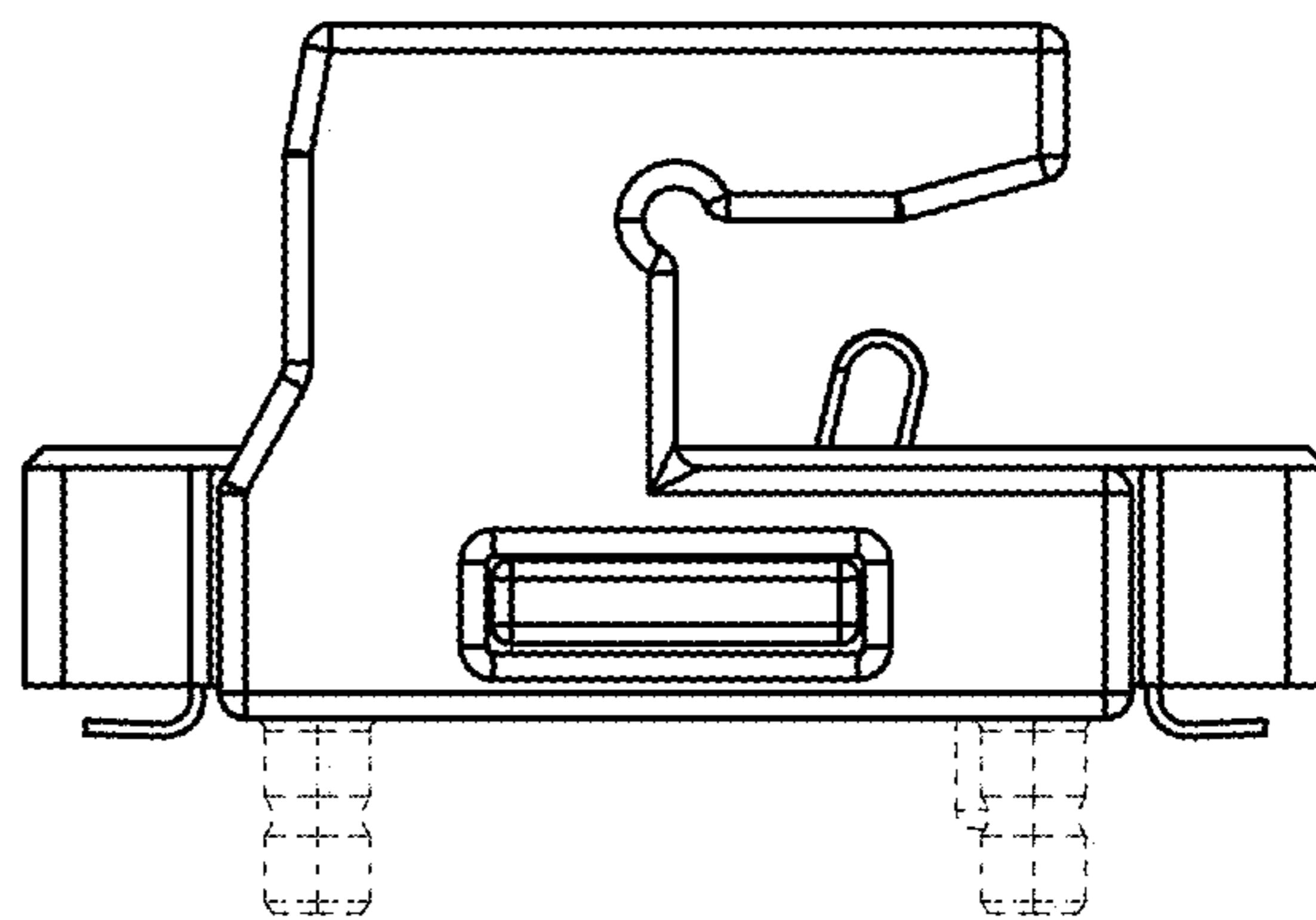


Fig.18

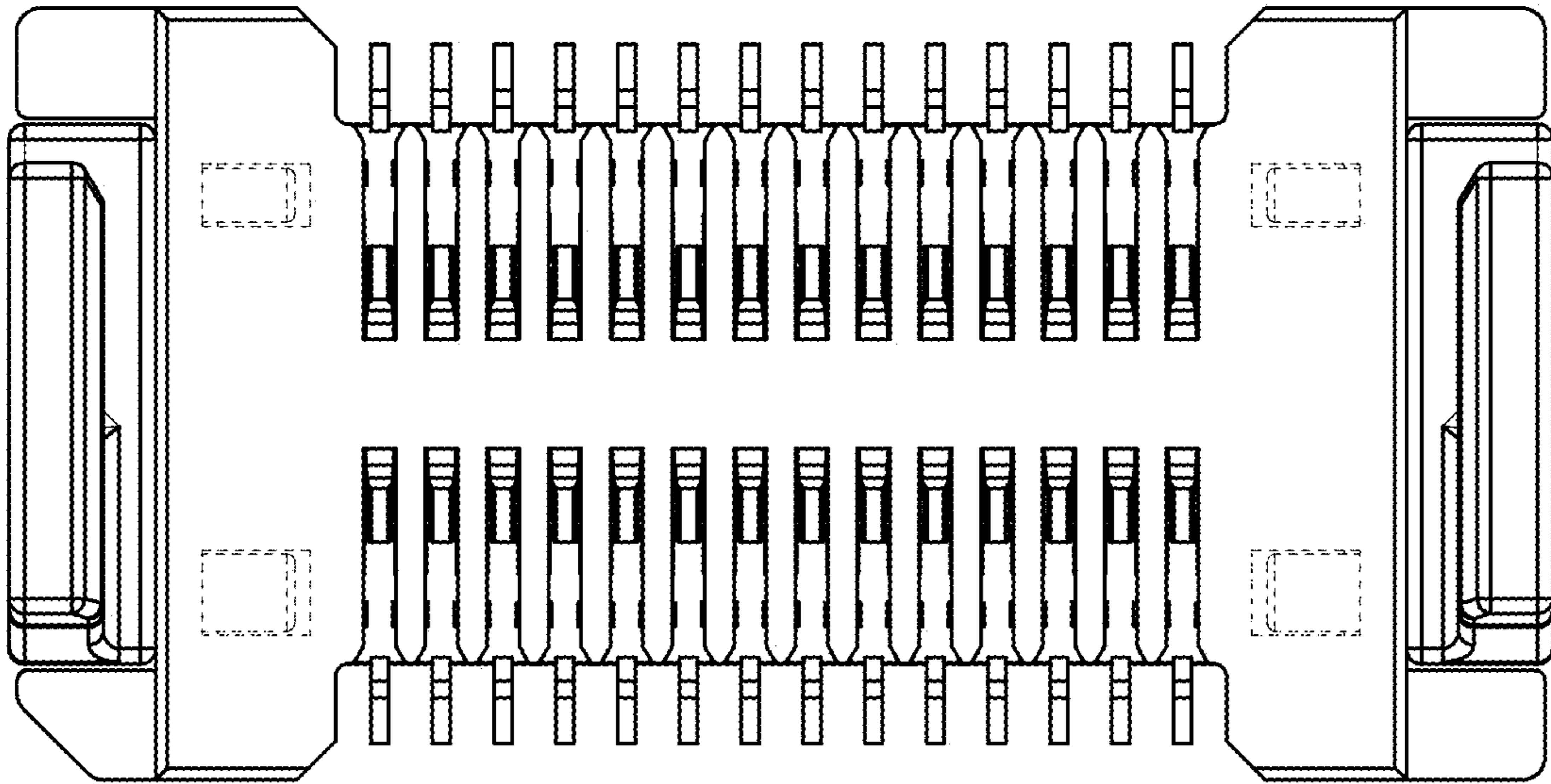


Fig.19

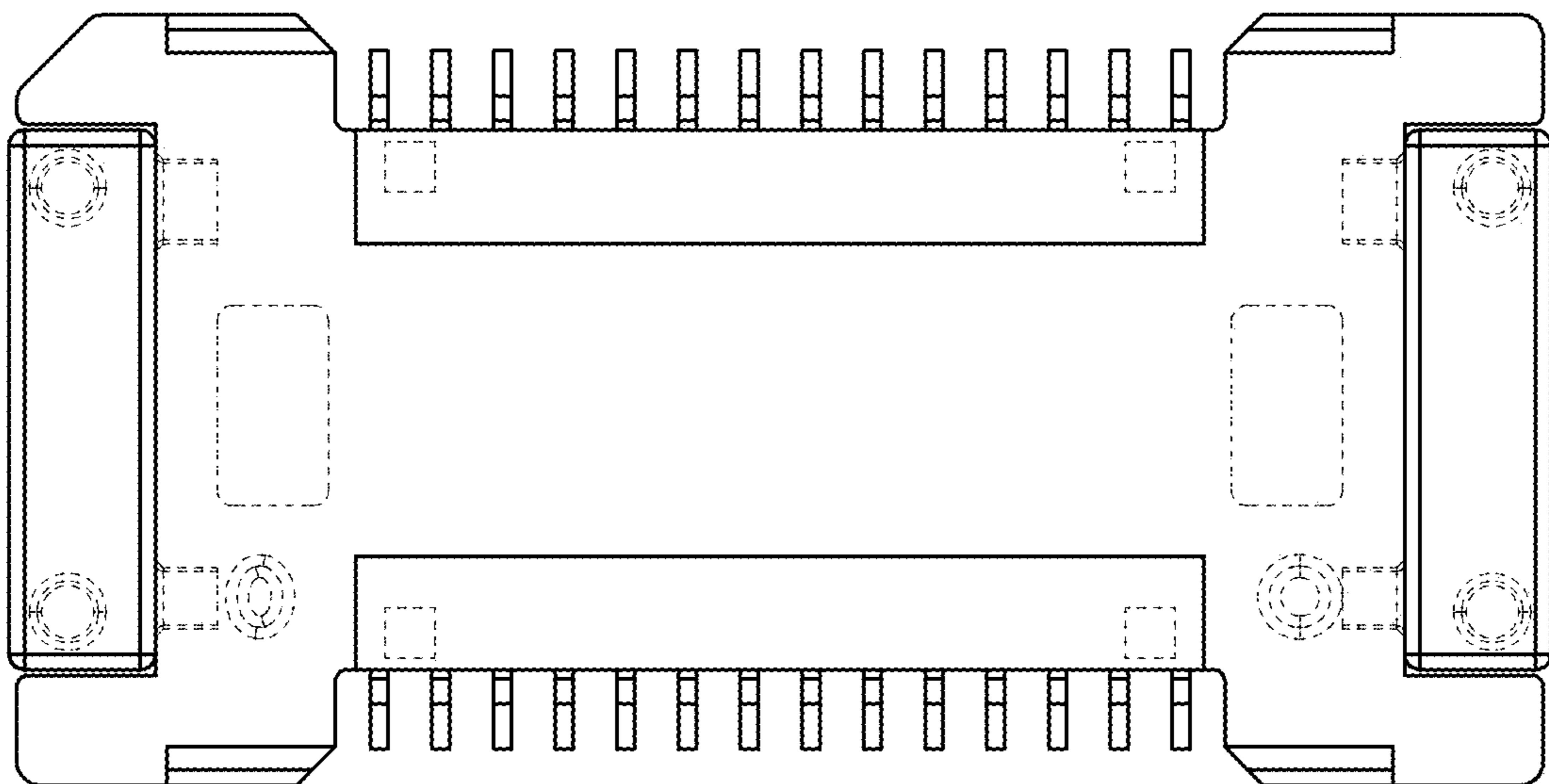


Fig.20