



US00D924167S

(12) **United States Design Patent**
Zabjanovski et al.

(10) **Patent No.:** **US D924,167 S**
(45) **Date of Patent:** **** Jul. 6, 2021**

(54) **CONNECTOR**

- (71) Applicant: **Molex, LLC**, Lisle, IL (US)
- (72) Inventors: **Lupco Zabjanovski**, Countryside, IL (US); **Robert Piszczor**, La Grange, IL (US); **Jeffrey J. Shrigley**, Wheaton, IL (US); **Michael A. Bandura**, Naperville, IL (US)
- (73) Assignee: **Molex, LLC**, Lisle, IL (US)
- (**) Term: **15 Years**

- (21) Appl. No.: **29/713,431**
- (22) Filed: **Nov. 15, 2019**
- (51) **LOC (13) Cl.** **13-03**
- (52) **U.S. Cl.**
USPC **D13/147**; D13/154
- (58) **Field of Classification Search**
USPC D13/103, 110, 118–120, 123, 133, 146, D13/147, 154, 173, 174, 178, 184, 199
CPC H01R 4/48; H01R 12/00; H01R 12/72; H01R 12/724; H01R 13/00; H01R 13/42; H01R 13/428; H01R 13/44; H01R 13/514; H01R 13/62; H01R 13/627; H01R 13/631; H01R 13/658; H01R 13/73; H01R 24/00; H01R 27/00; H01R 27/02; H01R 33/00; H01R 43/04; H01R 43/20; H05K 1/00; H05K 7/20; H05K 7/20127
See application file for complete search history.

(56) **References Cited**

U.S. PATENT DOCUMENTS

4,761,144	A *	8/1988	Hunt, III	H01R 13/74
					29/825
D308,512	S *	6/1990	Endo	D13/133
D309,289	S *	7/1990	Endo	D13/147
D331,913	S *	12/1992	Sato	D13/147
5,184,964	A *	2/1993	Douty	H01R 13/6315
					439/247

(Continued)

OTHER PUBLICATIONS

Molex EXTreme Ten60Power™ High-Current Connector, dated Nov. 10, 2009, [online], [site visited Feb. 24, 2021]. Available from Internet, URL: <https://www.youtube.com/watch?v=fYrC75UF94I> (Year: 2009).*

(Continued)

Primary Examiner — Angela J Lee

Assistant Examiner — Shawn T Gingrich

(74) *Attorney, Agent, or Firm* — Banner & Witcoff, Ltd.

(57) **CLAIM**

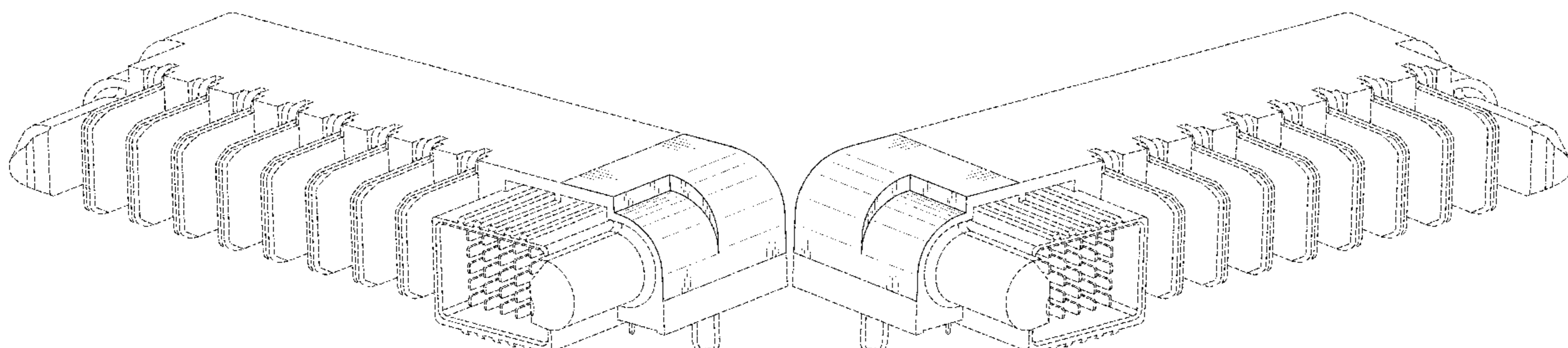
The ornamental design for a connector, as shown and described.

DESCRIPTION

FIG. 1 is a front perspective view of a connector showing our new design;
 FIG. 2 is a front view thereof;
 FIG. 3 is a rear view thereof;
 FIG. 4 is a right side view thereof;
 FIG. 5 is a left side view thereof;
 FIG. 6 is a top view thereof;
 FIG. 7 is a bottom view thereof;
 FIG. 8 is a front perspective view of the connector of FIGS. 1-7 showing a mirrored embodiment;
 FIG. 9 is a front view thereof;
 FIG. 10 is a rear view thereof;
 FIG. 11 is a left side view thereof;
 FIG. 12 is a right side view thereof;
 FIG. 13 is a top view thereof; and,
 FIG. 14 is a bottom view thereof.

The uneven-length broken lines immediately adjacent to the shaded area represent the bounds of the claimed design and form no part thereof. The even-length broken lines depicting the remainder of the connector form no part of the claimed design.

1 Claim, 14 Drawing Sheets



(56)

References Cited

U.S. PATENT DOCUMENTS

D402,630 S * 12/1998 Lai D13/147
 D452,678 S * 1/2002 Hiramoto D13/147
 D459,699 S * 7/2002 Ko D13/147
 D471,873 S * 3/2003 Kawase D13/147
 6,881,102 B2 * 4/2005 Correll H01R 13/428
 439/752
 D518,788 S * 4/2006 Fan D13/147
 D585,830 S * 2/2009 Shen D13/147
 D592,135 S * 5/2009 Hung D13/120
 D618,172 S * 6/2010 Yang D13/120
 D637,956 S * 5/2011 Yuan D13/147
 8,662,913 B2 * 3/2014 Tai H01R 13/50
 439/345
 D792,849 S * 7/2017 Mugan D13/147
 2006/0281354 A1 * 12/2006 Ngo H01R 12/7088
 439/290
 2009/0088028 A1 * 4/2009 Ngo H01R 13/112
 439/682

2010/0167593 A1 * 7/2010 Yu H01R 13/055
 439/651
 2012/0164892 A1 * 6/2012 Ke H01R 13/11
 439/676
 2013/0252468 A1 * 9/2013 Yu H01R 12/7088
 439/626
 2016/0079704 A1 * 3/2016 Chen H01R 13/631
 439/374
 2017/0006733 A1 * 1/2017 Gregori H01R 13/514
 2020/0280142 A1 * 9/2020 Hung H01R 9/24

OTHER PUBLICATIONS

EXTreme™ Ten60 Power™ High Current Connector, dated Aug. 20, 2012, [online], [site visited Feb. 24, 2021]. Available from Internet, URL: http://blog.sina.com.cn/s/blog_725509fd01018imx.html (Year: 2012).*

Molex adds EXTreme Ten60Power splitter blade, dated Jul. 10, 2015, [online], [site visited Feb. 24, 2021]. Available from Internet, URL: <http://www.connectoralliance.com/news/20.html> (Year: 2015).*

* cited by examiner

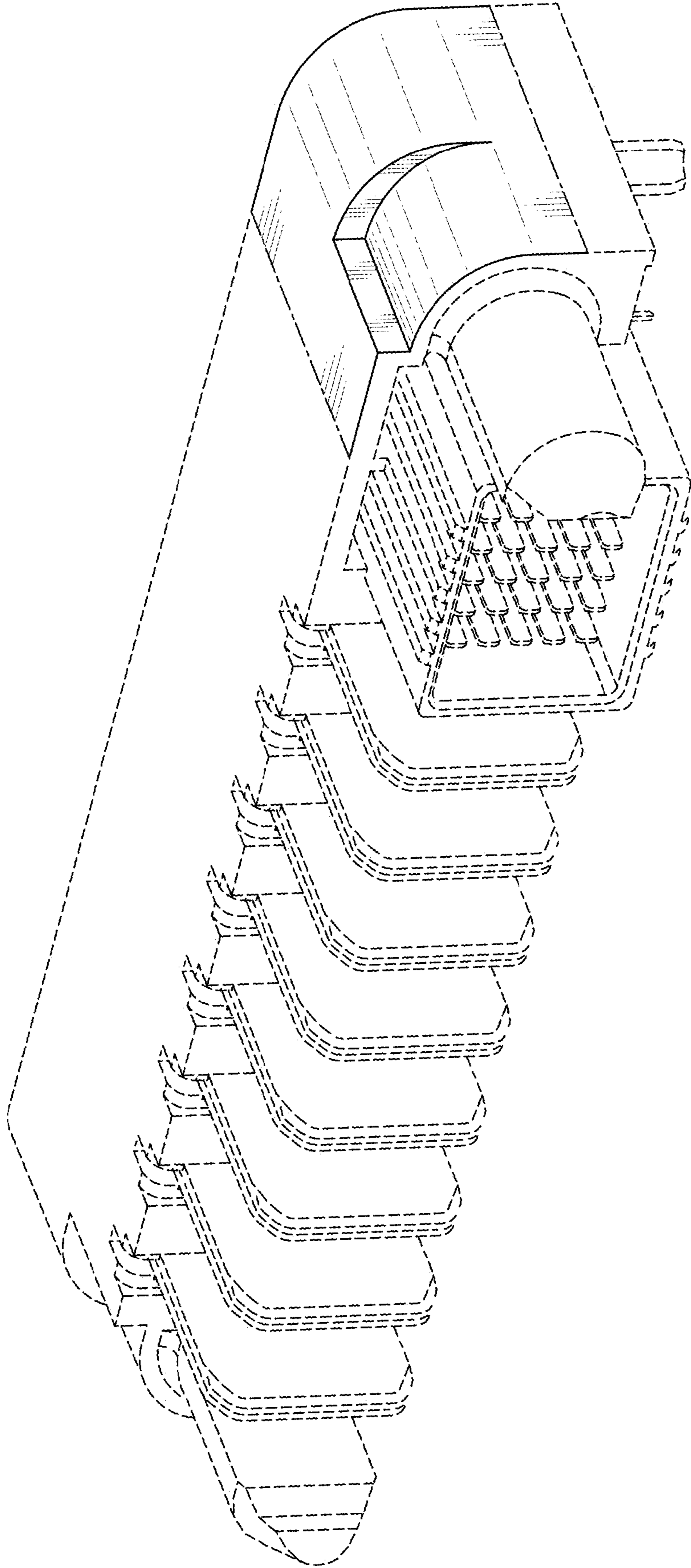


FIG. 1

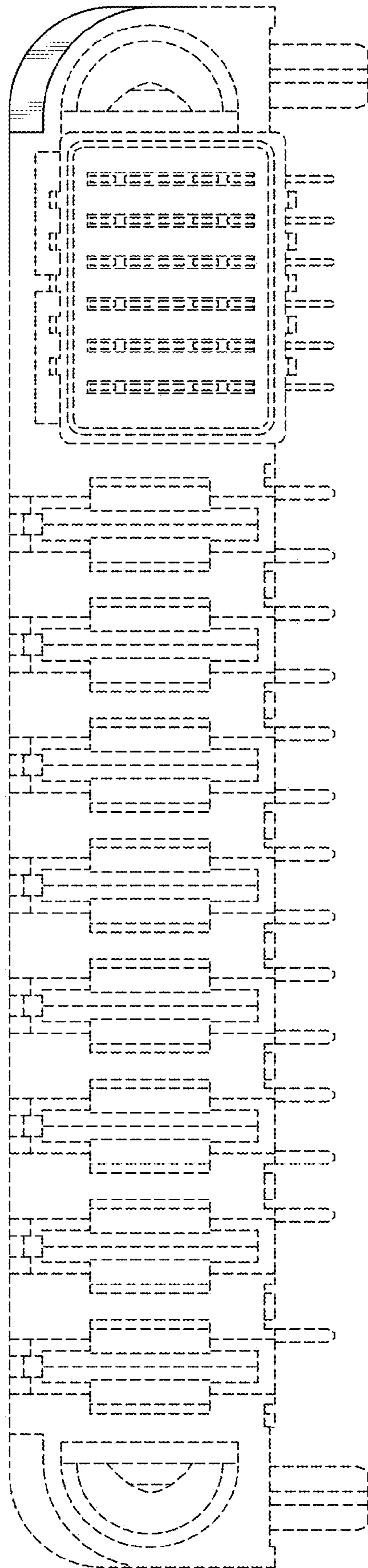


FIG. 2

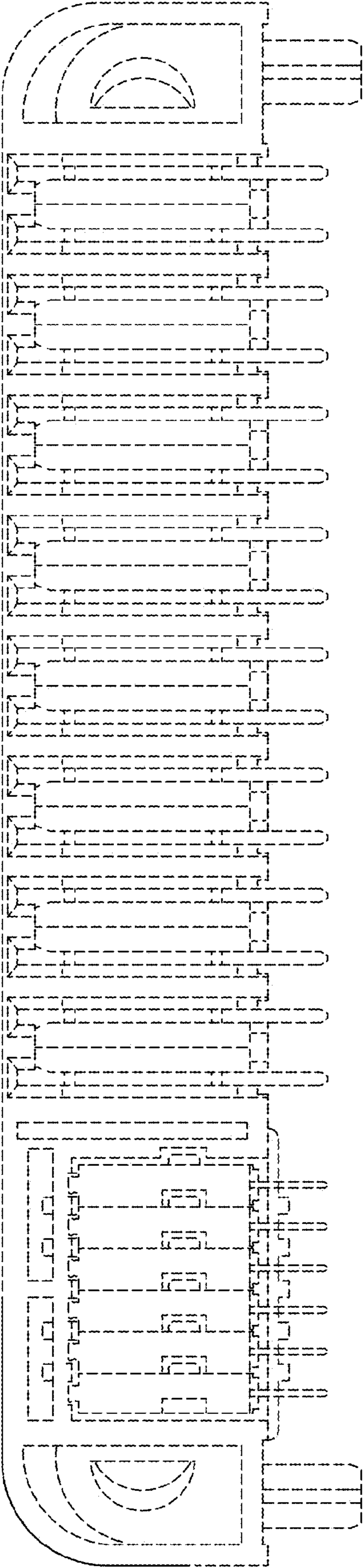


FIG. 3

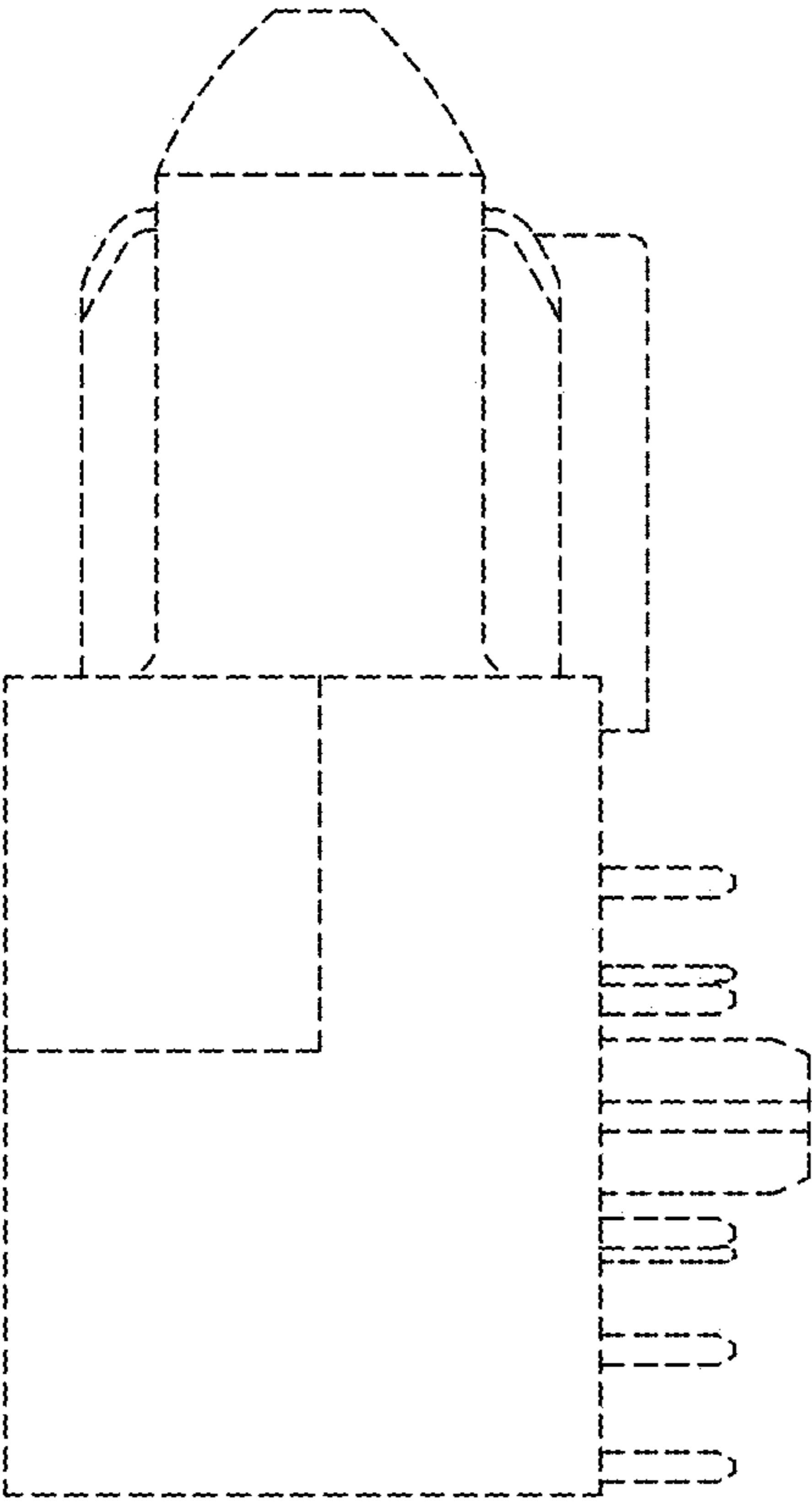


FIG. 4

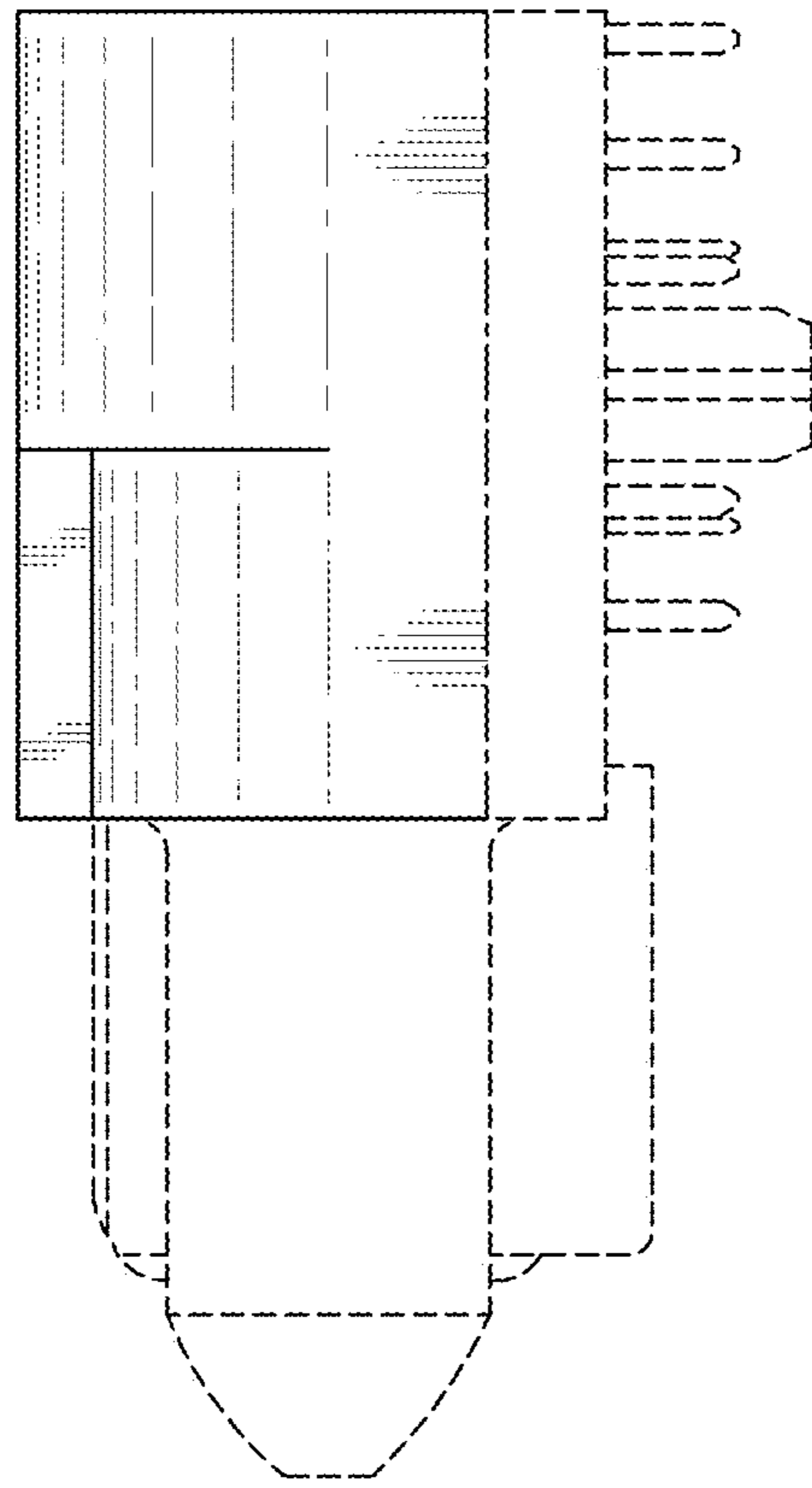


FIG. 5

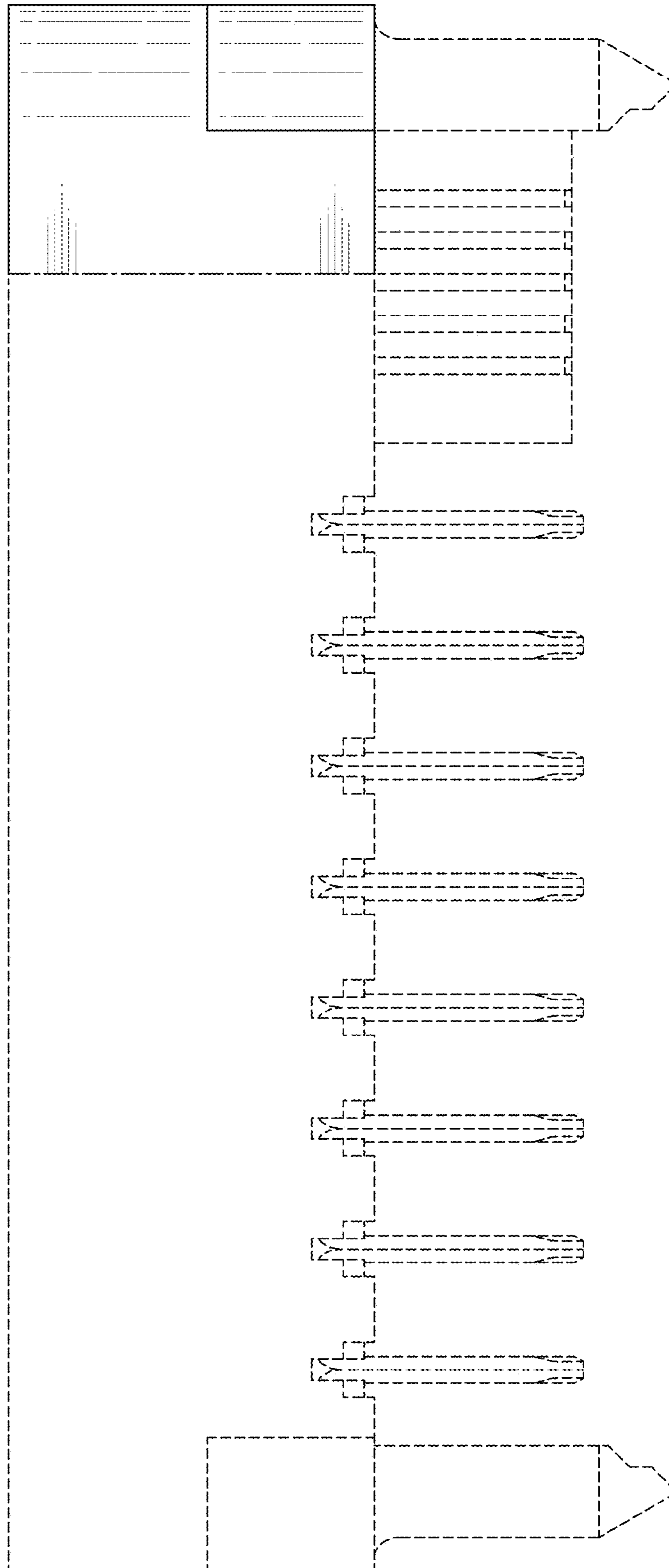


FIG. 6

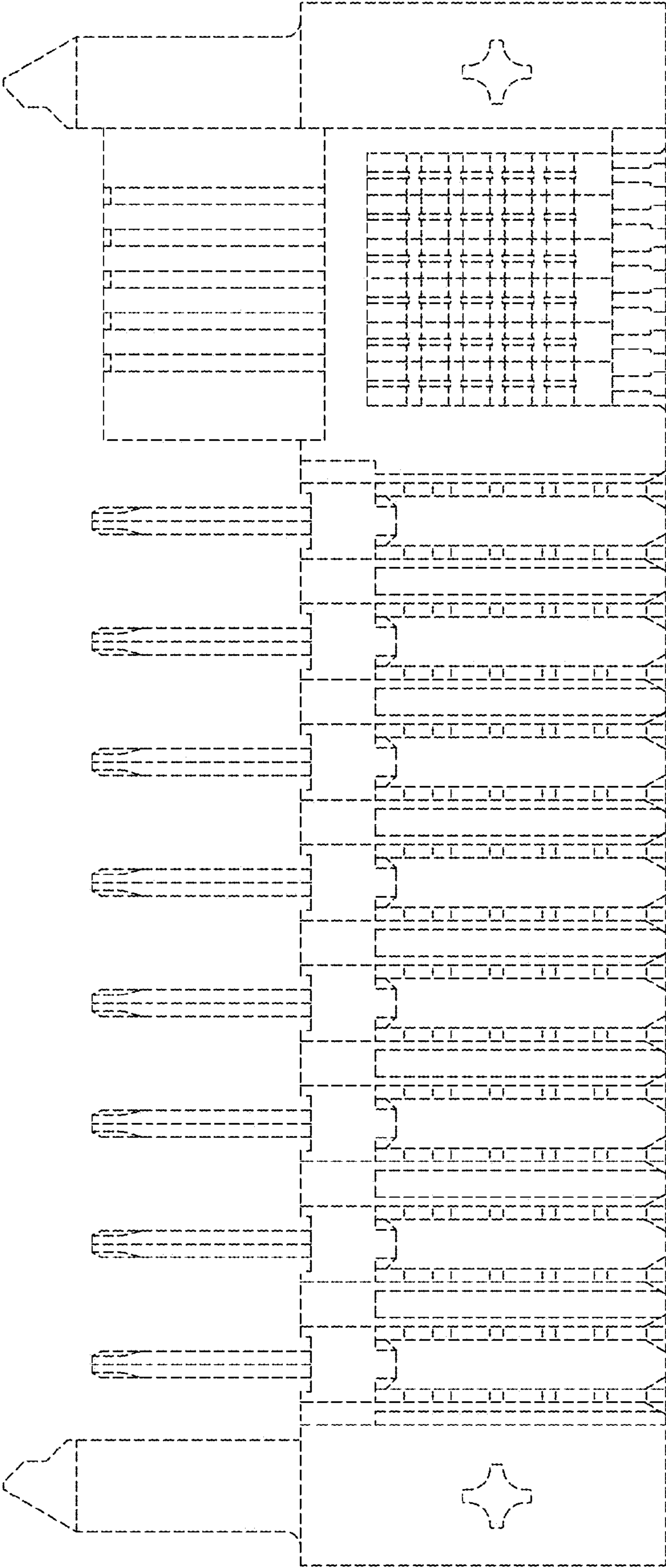


FIG. 7

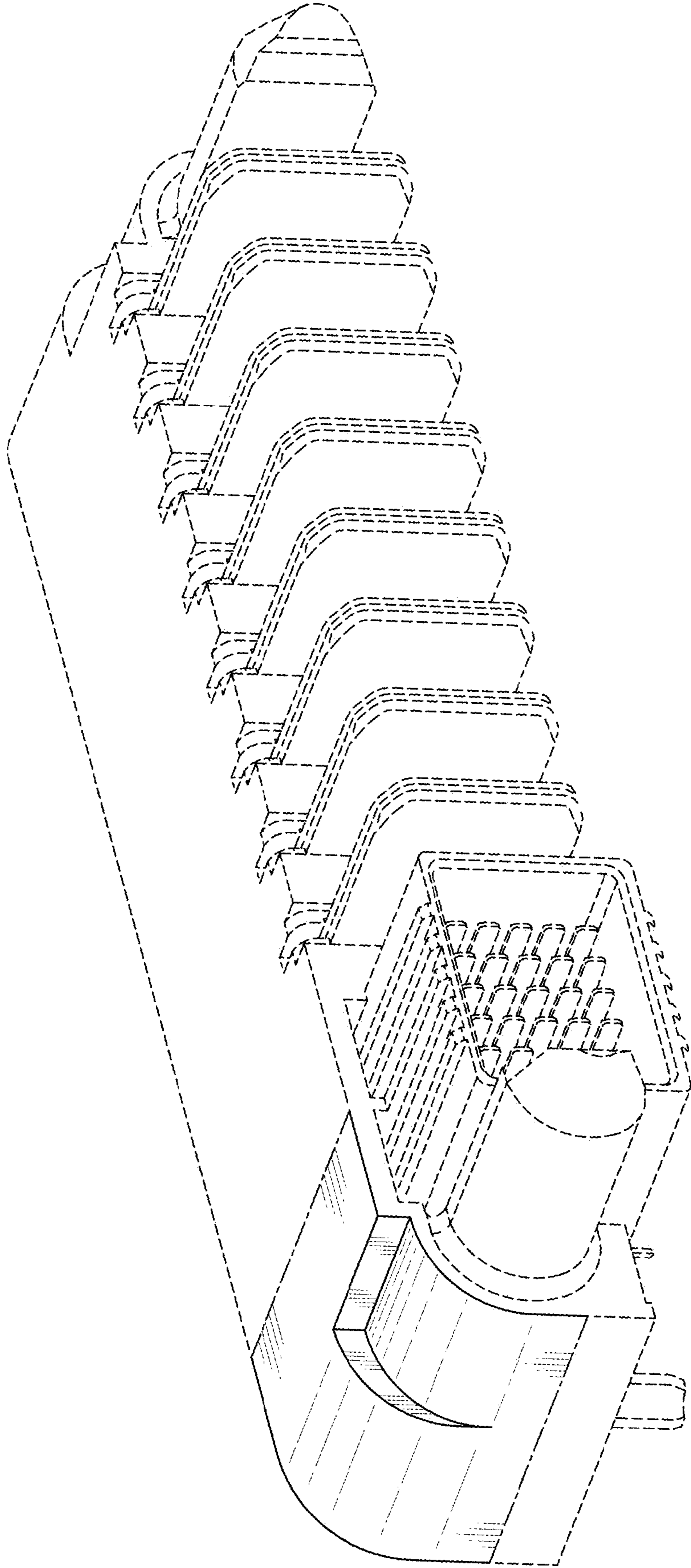


FIG. 8

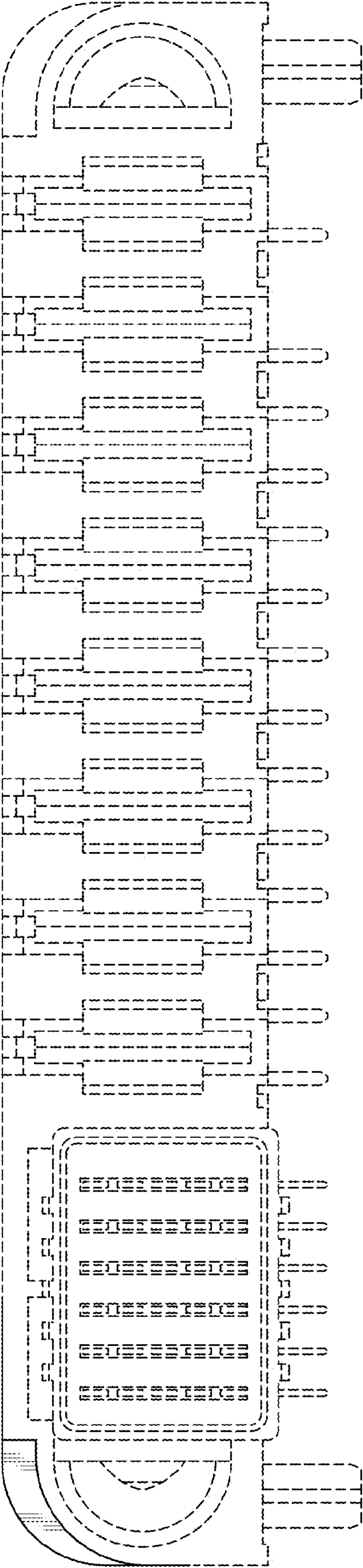


FIG. 9

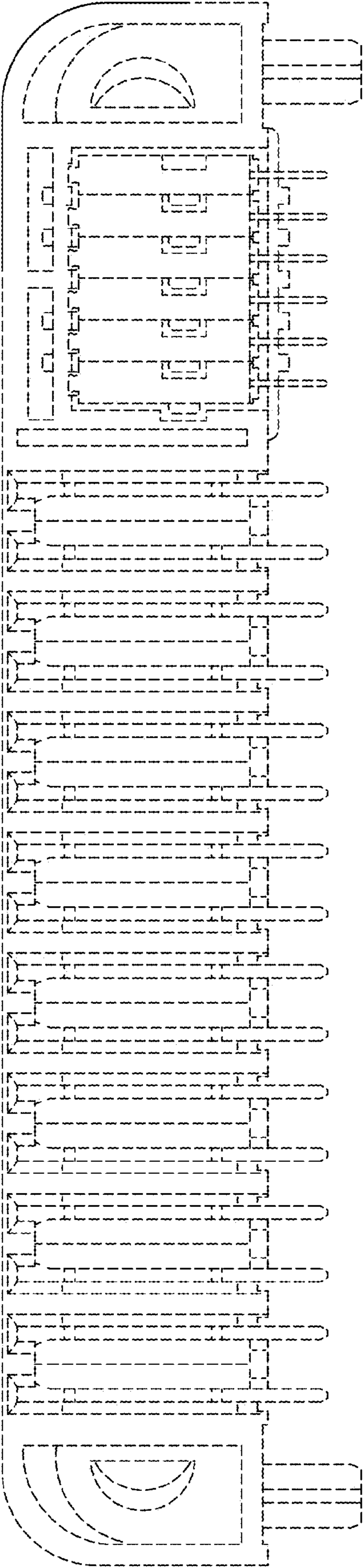


FIG. 10

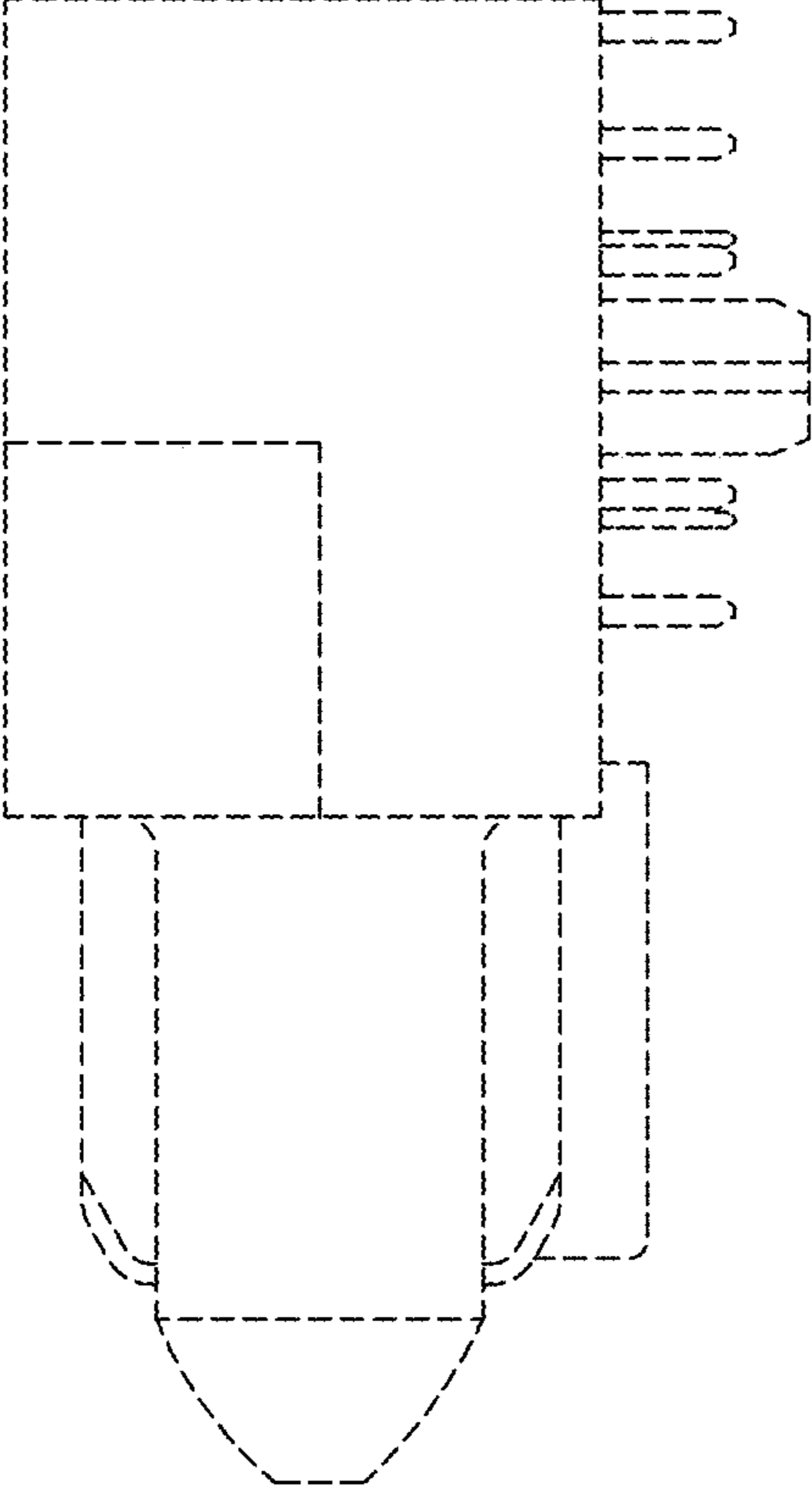


FIG. 11

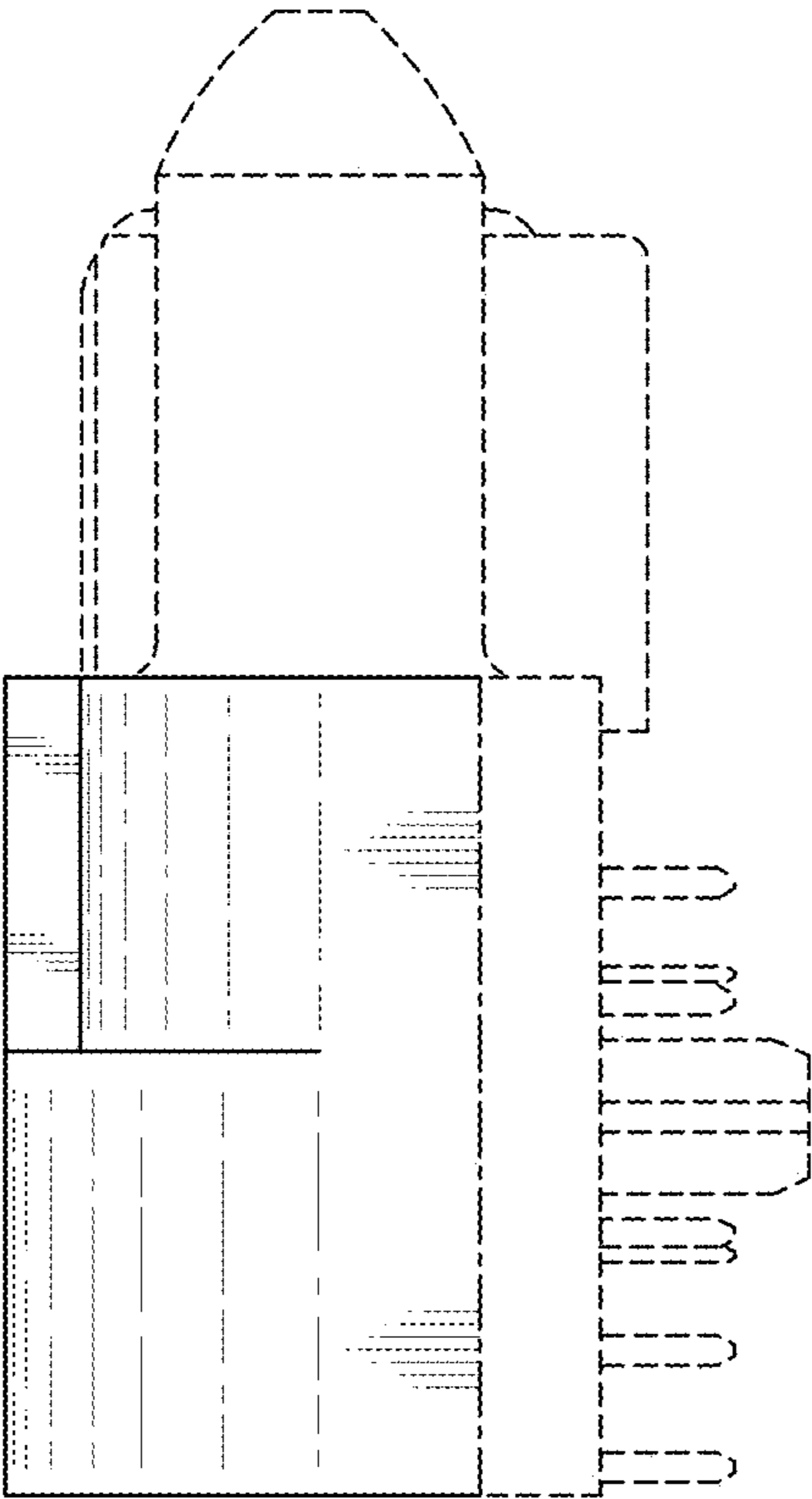


FIG. 12

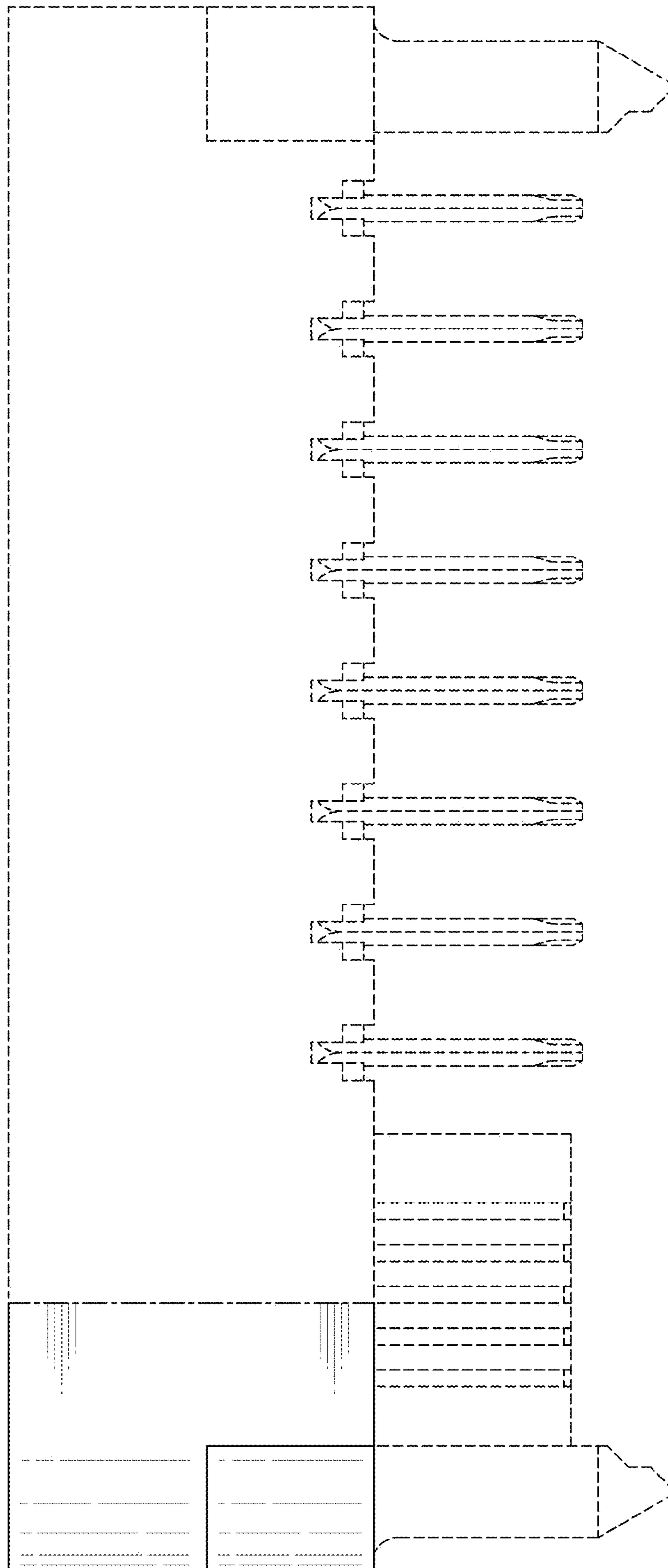


FIG. 13

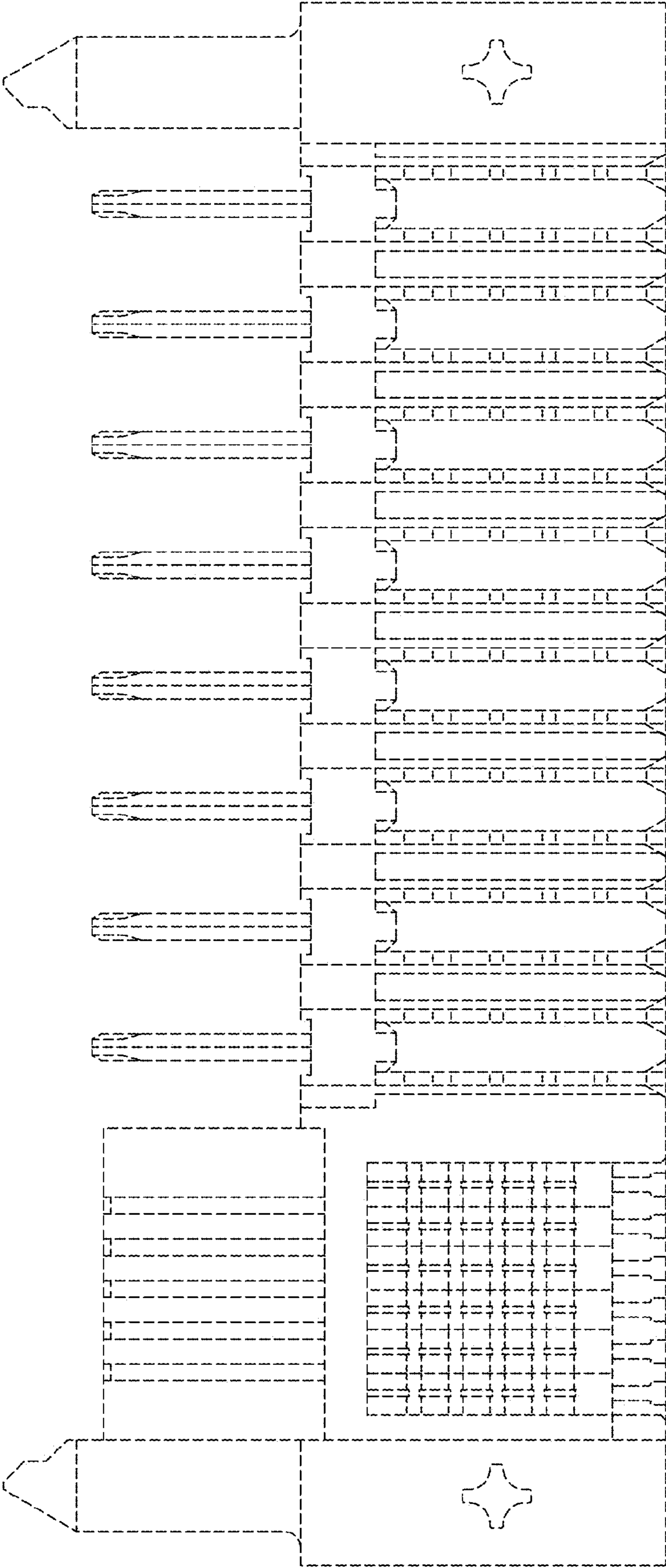


FIG. 14