



US00D924165S

(12) **United States Design Patent** (10) **Patent No.:** **US D924,165 S**
Zabjanovski et al. (45) **Date of Patent:** **** Jul. 6, 2021**

(54) **CONNECTOR**

(71) Applicant: **Molex, LLC**, Lisle, IL (US)

(72) Inventors: **Lupco Zabjanovski**, Countryside, IL (US); **Robert Piszczor**, La Grange, IL (US); **Jeffrey J. Shrigley**, Wheaton, IL (US); **Michael A. Bandura**, Naperville, IL (US)

(73) Assignee: **Molex, LLC**, Lisle, IL (US)

(**) Term: **15 Years**

(21) Appl. No.: **29/708,351**

(22) Filed: **Oct. 4, 2019**

(51) **LOC (13) Cl.** **13-03**

(52) **U.S. Cl.**
USPC **D13/147**

(58) **Field of Classification Search**
USPC D13/118, 123, 133, 146, 147, 153, 154, D13/156, 173, 184, 199
CPC H01R 13/00; H01R 13/42; H01R 13/44; H01R 13/514; H01R 24/00; H01R 27/00; H01R 27/02; H01R 33/00; H01R 4/48; H01R 12/00; H01R 12/72; H01R 12/724; H05K 1/00; H05K 7/20; H05K 7/20127
See application file for complete search history.

(56) **References Cited**

U.S. PATENT DOCUMENTS

D492,257 S *	6/2004	Naganawa	D13/147
D501,183 S *	1/2005	Yamane	D13/147
D516,517 S *	3/2006	Shimizu	D13/147
D520,956 S *	5/2006	Riku	D13/147
D528,985 S *	9/2006	Peng	D13/147
D571,725 S *	6/2008	Hung	D13/120
D613,688 S *	4/2010	Yang	D13/120
D691,959 S *	10/2013	Kajiura	D13/147
D753,603 S *	4/2016	Yokoo	D13/147

9,444,194 B2 *	9/2016	Tanaka	H01R 13/6599
D820,216 S *	6/2018	Wu	D13/147
D845,249 S	4/2019	Sato		
2004/0147169 A1 *	7/2004	Allison	H01R 13/44 439/677
2005/0070151 A1 *	3/2005	Horamoto	H01R 4/2466 439/404
2009/0088028 A1 *	4/2009	Ngo	H01R 13/112 439/682
2011/0287658 A1 *	11/2011	Yu	H01R 12/7088 439/485

(Continued)

FOREIGN PATENT DOCUMENTS

CN	303095550	2/2015
JP	D1370835	10/2009
TW	D150407	11/2012

Primary Examiner — Shawn T Gingrich

(74) Attorney, Agent, or Firm — Banner & Witcoff, Ltd.

(57) **CLAIM**

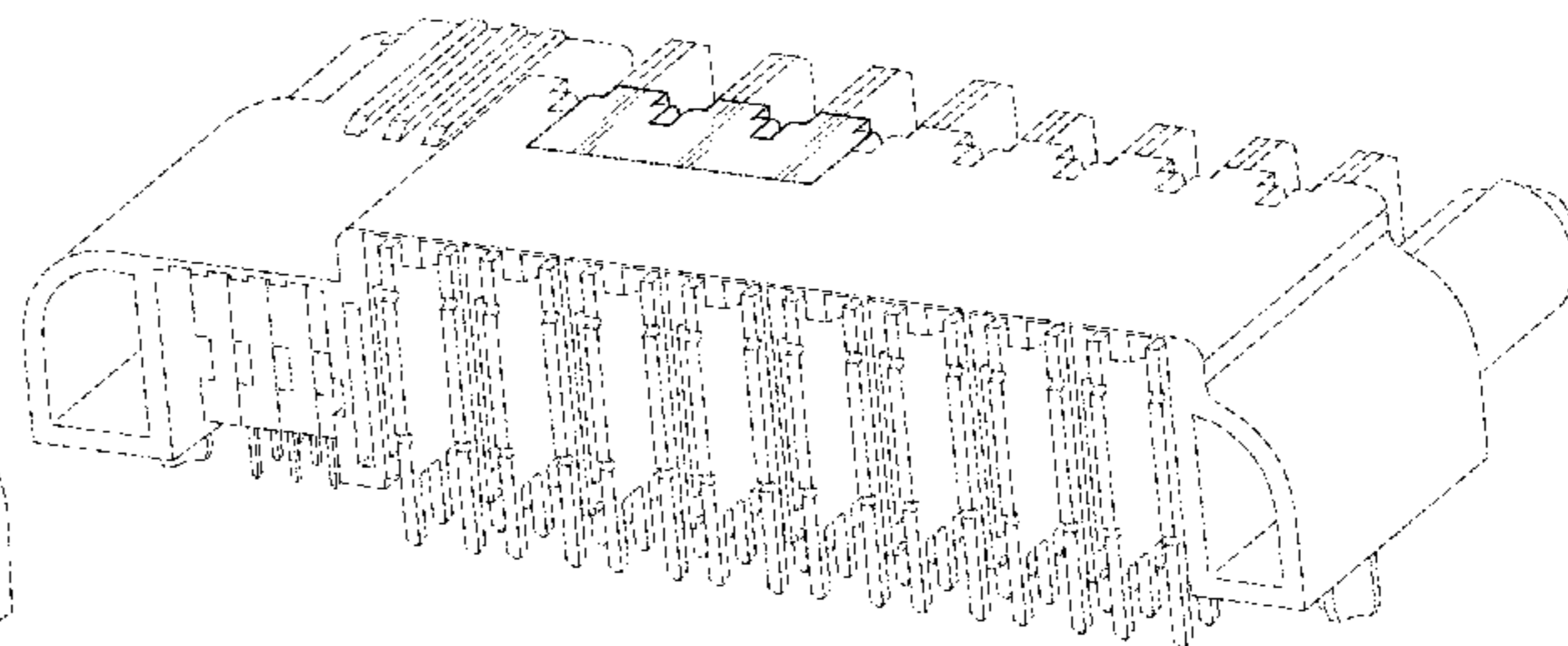
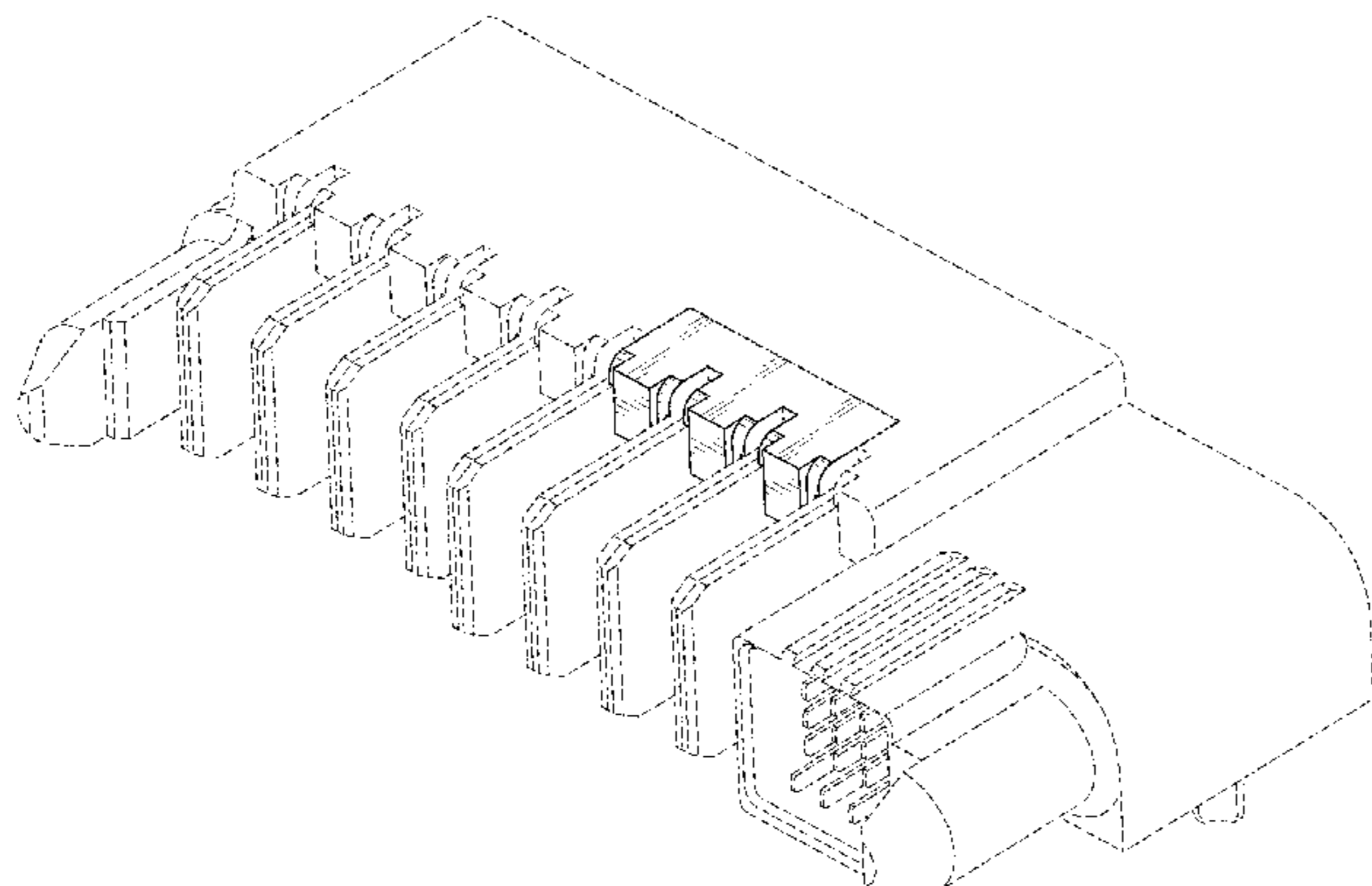
The ornamental design for a connector, as shown and described.

DESCRIPTION

FIG. 1 is a top front perspective view of a connector showing our new design;
FIG. 2 is a top rear perspective view thereof;
FIG. 3 is a front view thereof;
FIG. 4 is a rear view thereof;
FIG. 5 is a left side view thereof;
FIG. 6 is a right side view thereof;
FIG. 7 is a top view thereof; and,
FIG. 8 is a bottom view thereof.

The Dash-Dot broken lines immediately adjacent to the shaded areas depict the bounds of the claimed design and form no part thereof. The Dash-Dash broken lines depicting the remainder of the connector form no part of the claimed design.

1 Claim, 8 Drawing Sheets



(56)

References Cited

U.S. PATENT DOCUMENTS

2012/0142227 A1* 6/2012 Yu H01R 13/506
439/695
2012/0164892 A1* 6/2012 Ke H01R 13/11
439/676
2013/0012038 A1* 1/2013 Kirk H01R 12/721
439/55
2014/0065896 A1* 3/2014 Henschel H01R 13/20
439/889
2016/0233635 A1* 8/2016 Chen H01R 27/02
2017/0006733 A1* 1/2017 Gregori H01R 13/514
2017/0170594 A1* 6/2017 Copper H01R 13/53
2018/0219332 A1* 8/2018 Brungard H01R 12/724

* cited by examiner

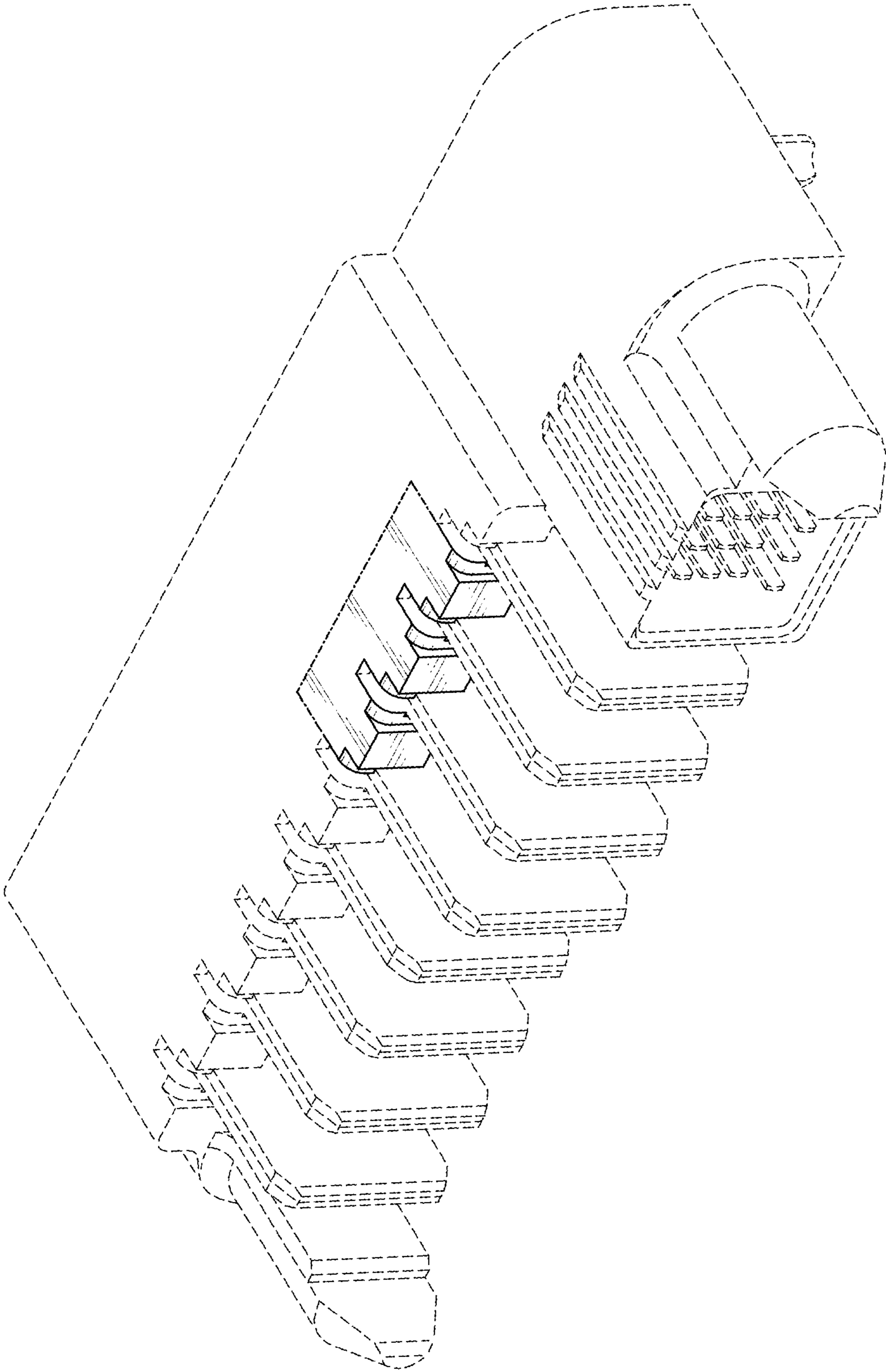


FIG. 1

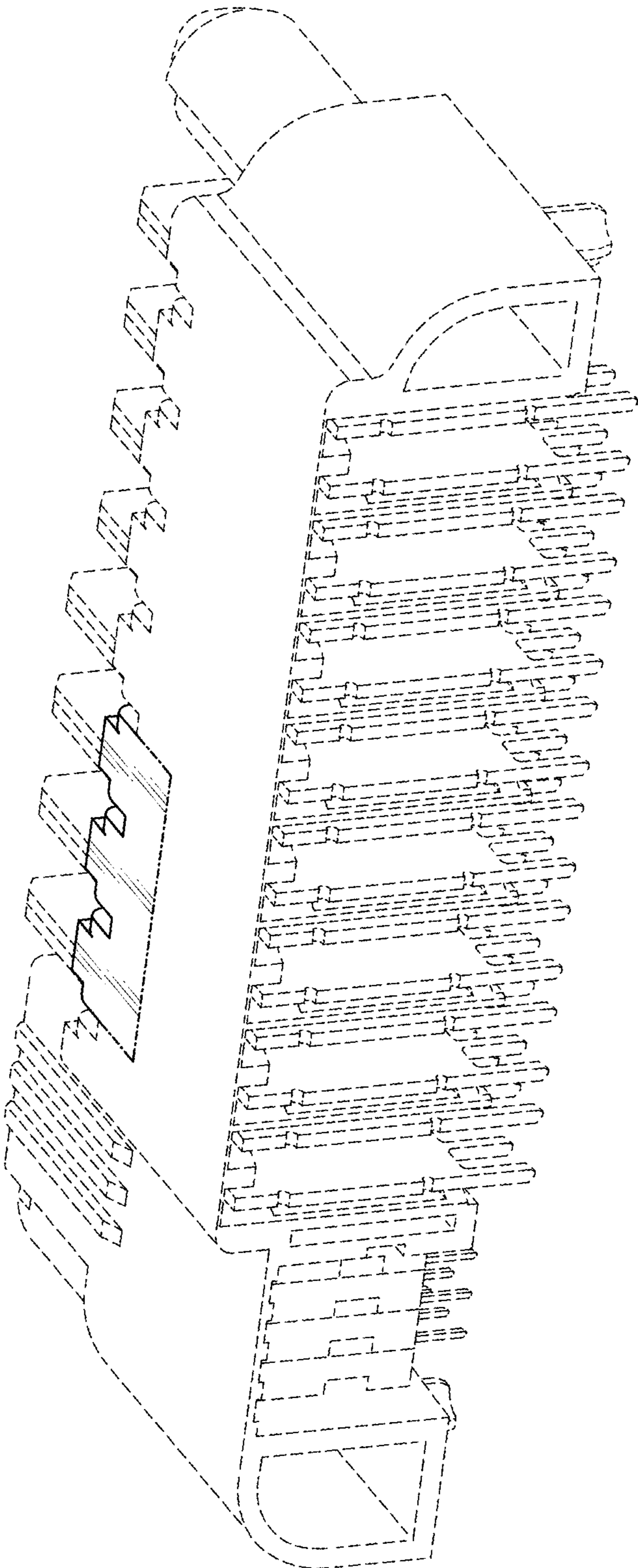


FIG. 2

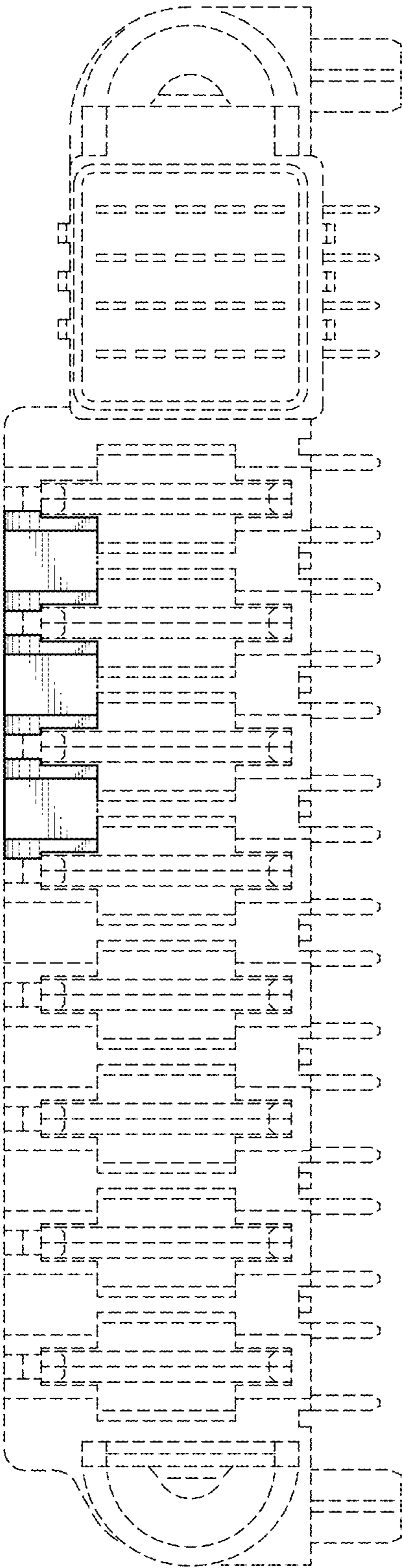


FIG. 3

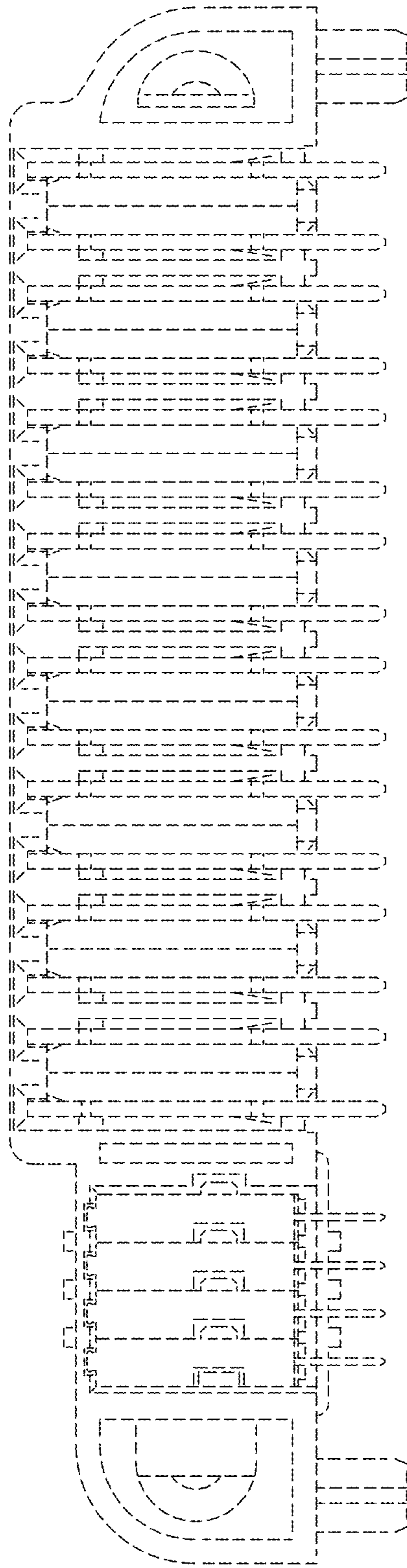


FIG. 4

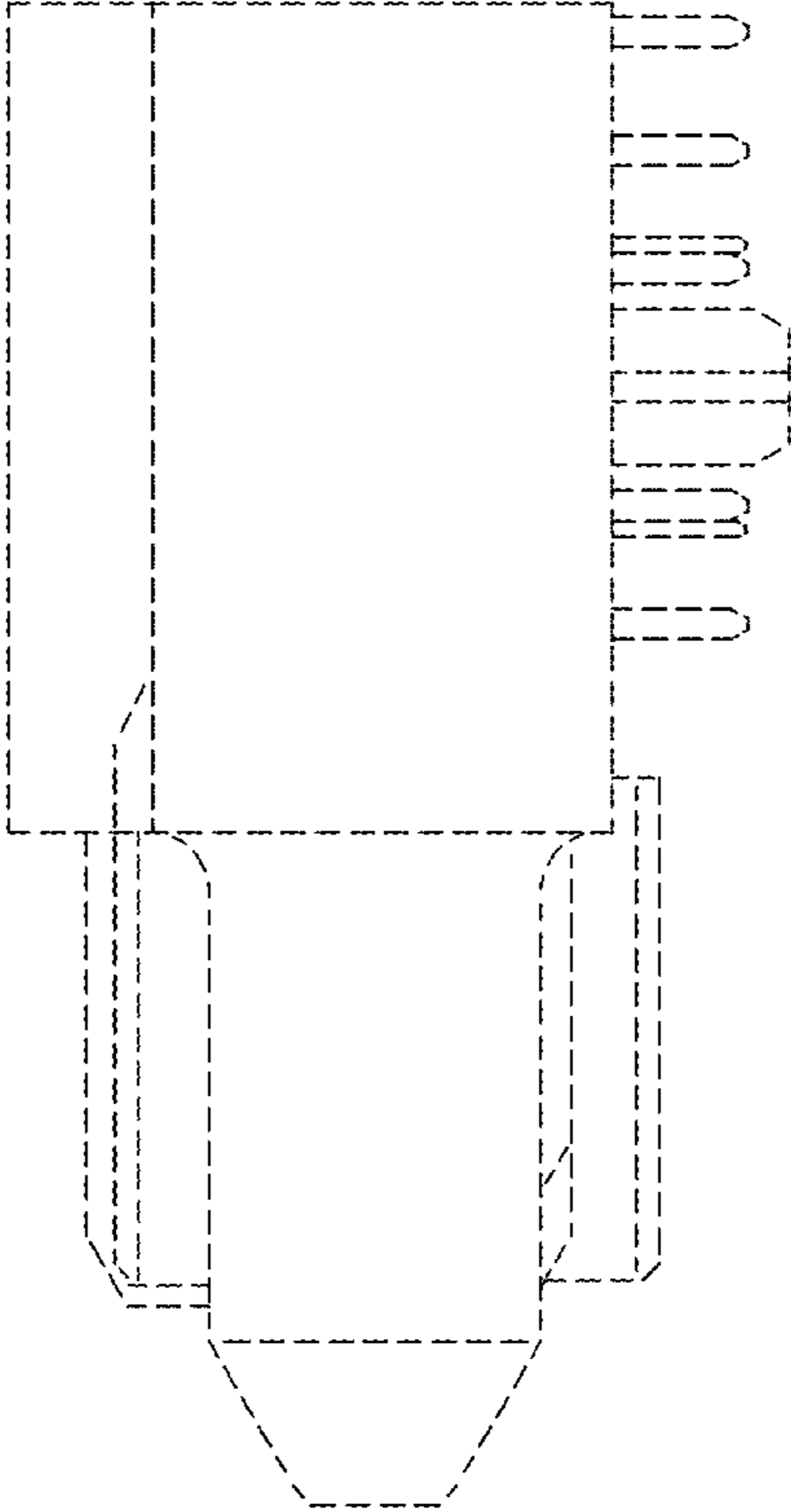


FIG. 5

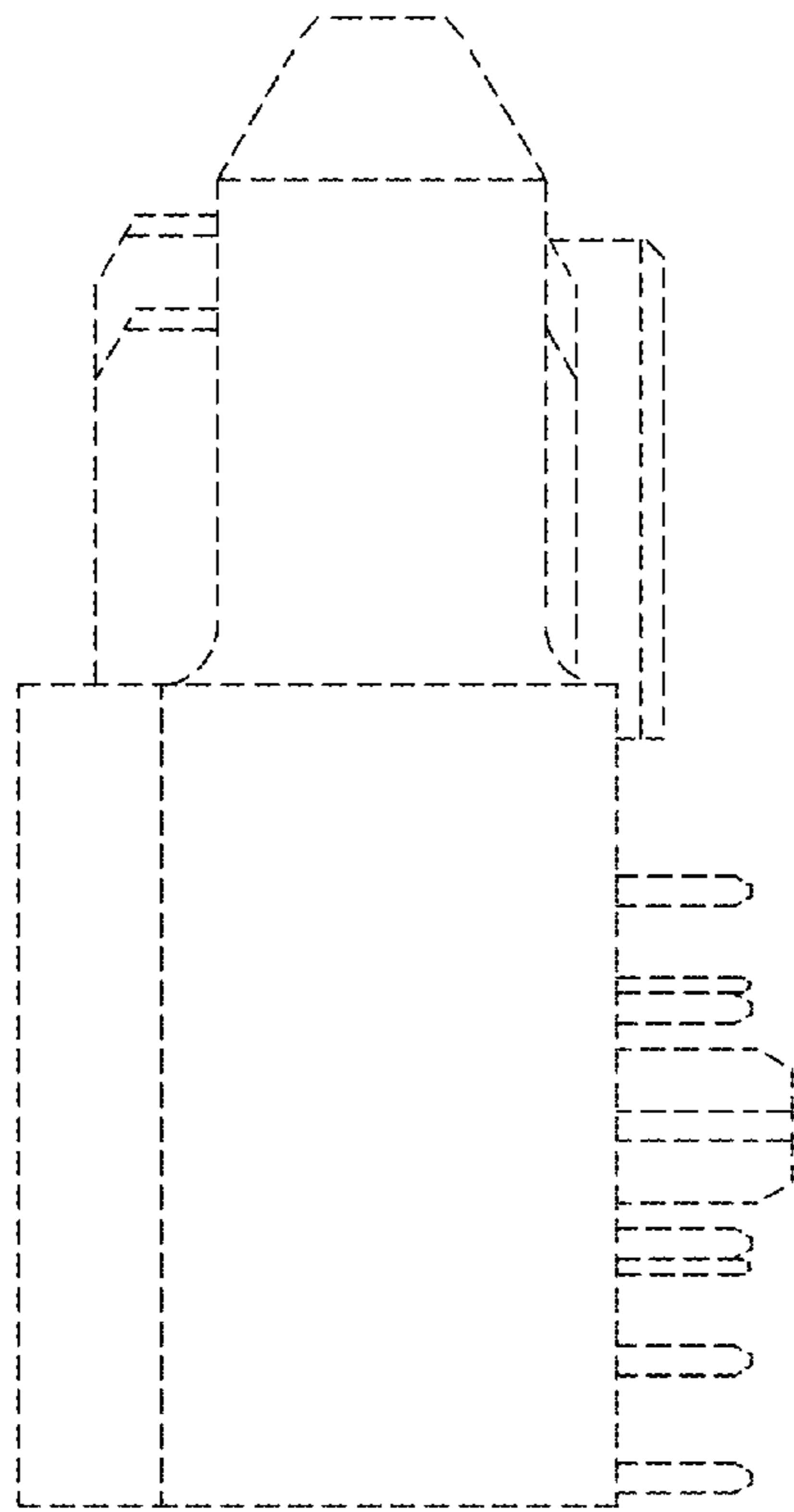


FIG. 6

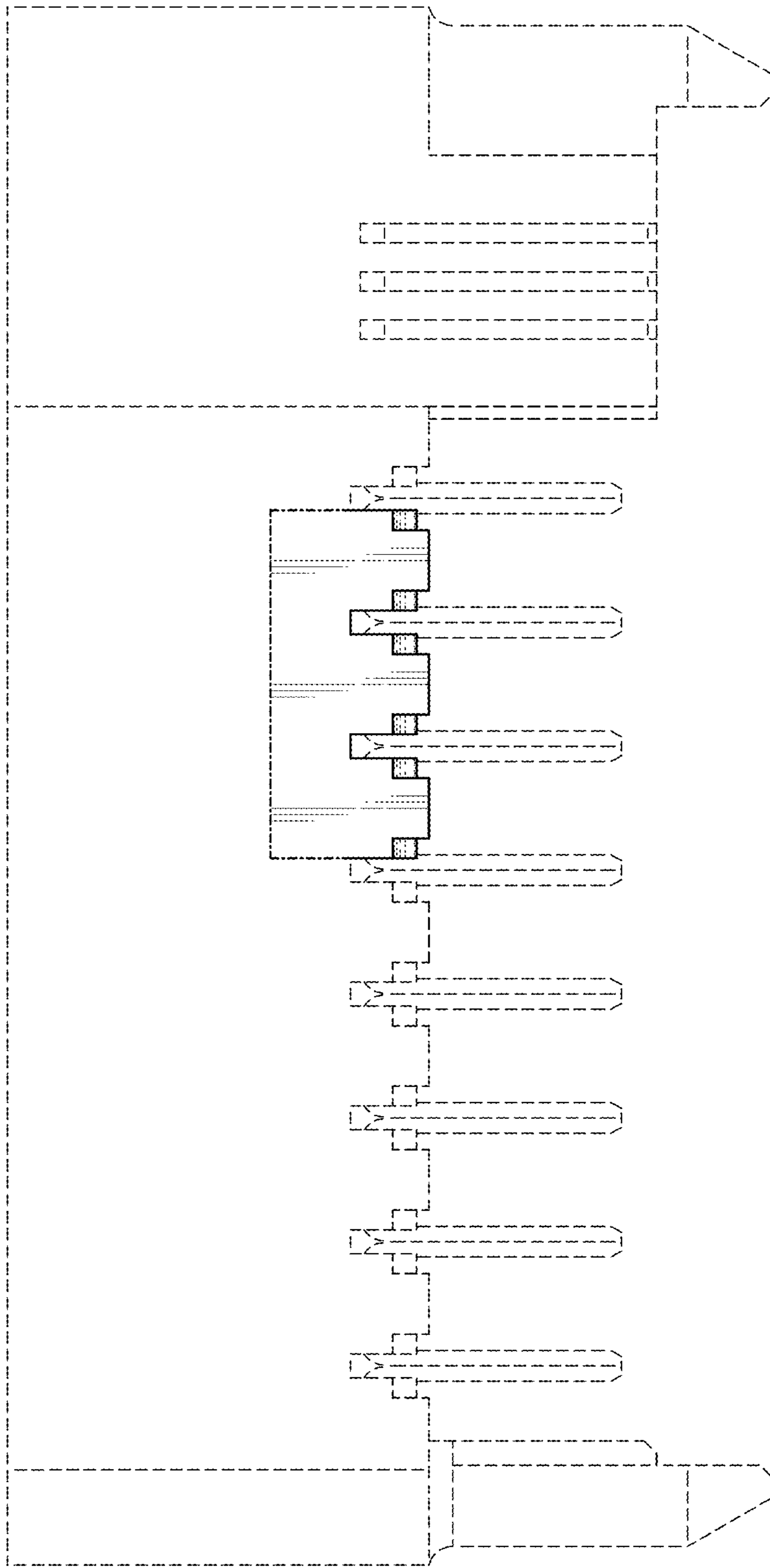


FIG. 7

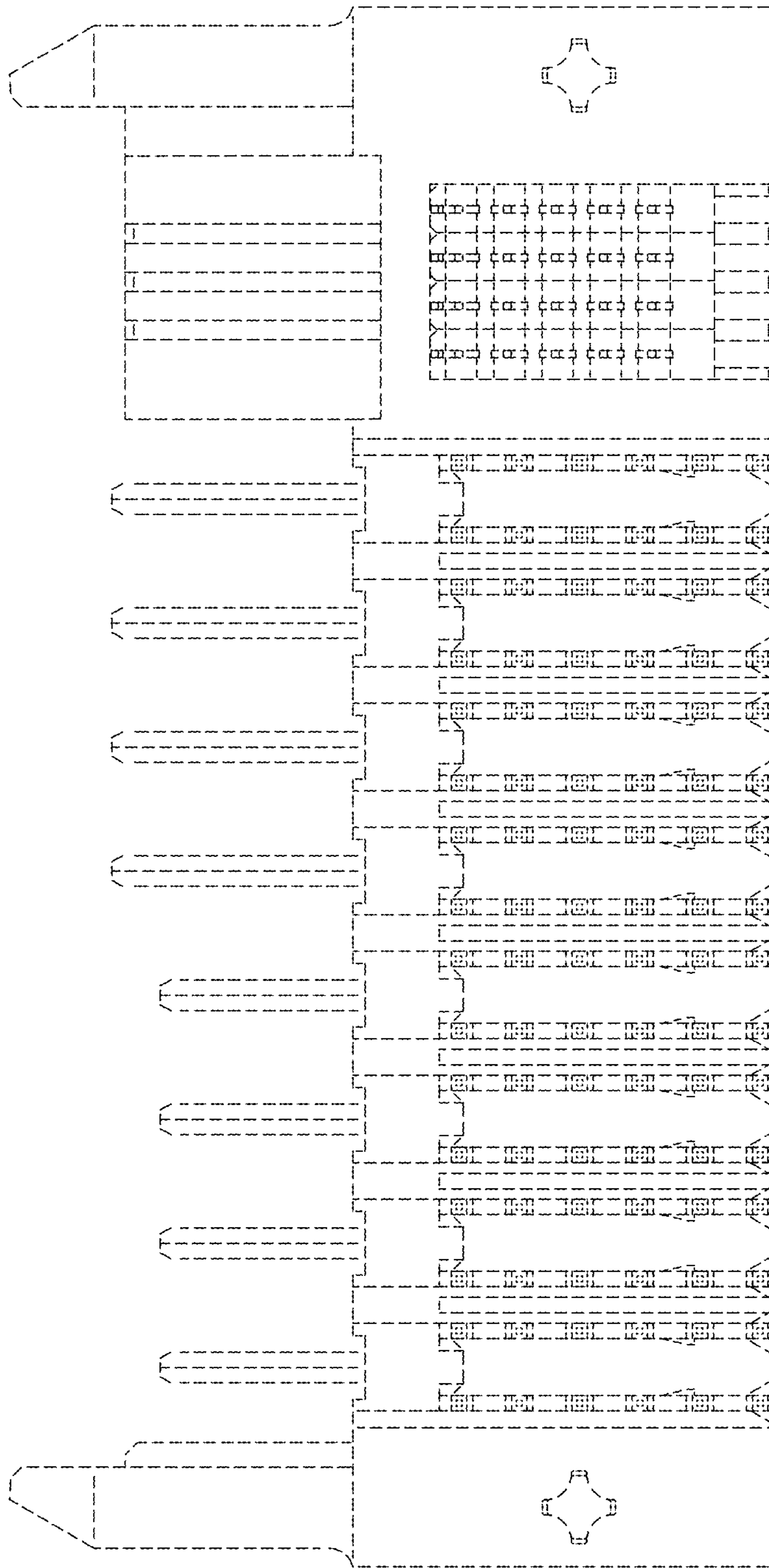


FIG. 8