



US00D924162S

(12) **United States Design Patent**
Yokoyama

(10) **Patent No.:** **US D924,162 S**

(45) **Date of Patent:** **** Jul. 6, 2021**

(54) **CONNECTOR**

(71) Applicant: **Japan Aviation Electronics Industry, Limited**, Tokyo (JP)

(72) Inventor: **Yohei Yokoyama**, Tokyo (JP)

(73) Assignee: **JAPAN AVIATION ELECTRONICS INDUSTRY, LIMITED**, Tokyo (JP)

(**) Term: **15 Years**

(21) Appl. No.: **29/707,780**

(22) Filed: **Oct. 1, 2019**

(30) **Foreign Application Priority Data**

Apr. 22, 2019 (JP) 2019-008884

(51) **LOC (13) Cl.** **13-03**

(52) **U.S. Cl.**
USPC **D13/147**

(58) **Field of Classification Search**
USPC D13/101, 107, 118, 123, 133, 146, 147,
D13/154, 173, 184, 199
CPC H01R 13/00; H01R 13/40; H01R 13/44;
H01R 13/627; H01R 13/64; H01R
13/648; H01R 13/652; H01R 13/658;
H01R 13/6581; H01R 13/6585; H01R
13/6591; H01R 24/00

See application file for complete search history.

(56) **References Cited**

U.S. PATENT DOCUMENTS

D524,746 S * 7/2006 Lai D13/147
D526,619 S * 8/2006 Tsai D13/147
D553,090 S * 10/2007 Lai D13/147
D618,621 S * 6/2010 Nagata D13/147

D620,892 S * 8/2010 Sasaki D13/147
D626,918 S * 11/2010 Sasaki D13/147
D678,210 S * 3/2013 Masaki D13/147
D682,216 S * 5/2013 Sato D13/147
D748,061 S * 1/2016 Chen D13/147
D843,945 S * 3/2019 Naganuma D13/147
D898,674 S * 10/2020 Shimomaki D13/147
2017/0194745 A1* 7/2017 Tsai H01R 13/6582
2017/0373444 A1* 12/2017 Hu H01R 13/6582

* cited by examiner

Primary Examiner — Shawn T Gingrich

(74) *Attorney, Agent, or Firm* — Manabu Kanesaka

(57) **CLAIM**

The ornamental design for a connector, as shown and described.

DESCRIPTION

FIG. 1 is a front elevational view of a connector showing my new design;

FIG. 2 is a rear elevational view thereof;

FIG. 3 is a right side elevational view thereof;

FIG. 4 is a left side elevational view thereof;

FIG. 5 is a top plan view thereof;

FIG. 6 is a bottom plan view thereof;

FIG. 7 is a perspective view showing a front, top and right side thereof;

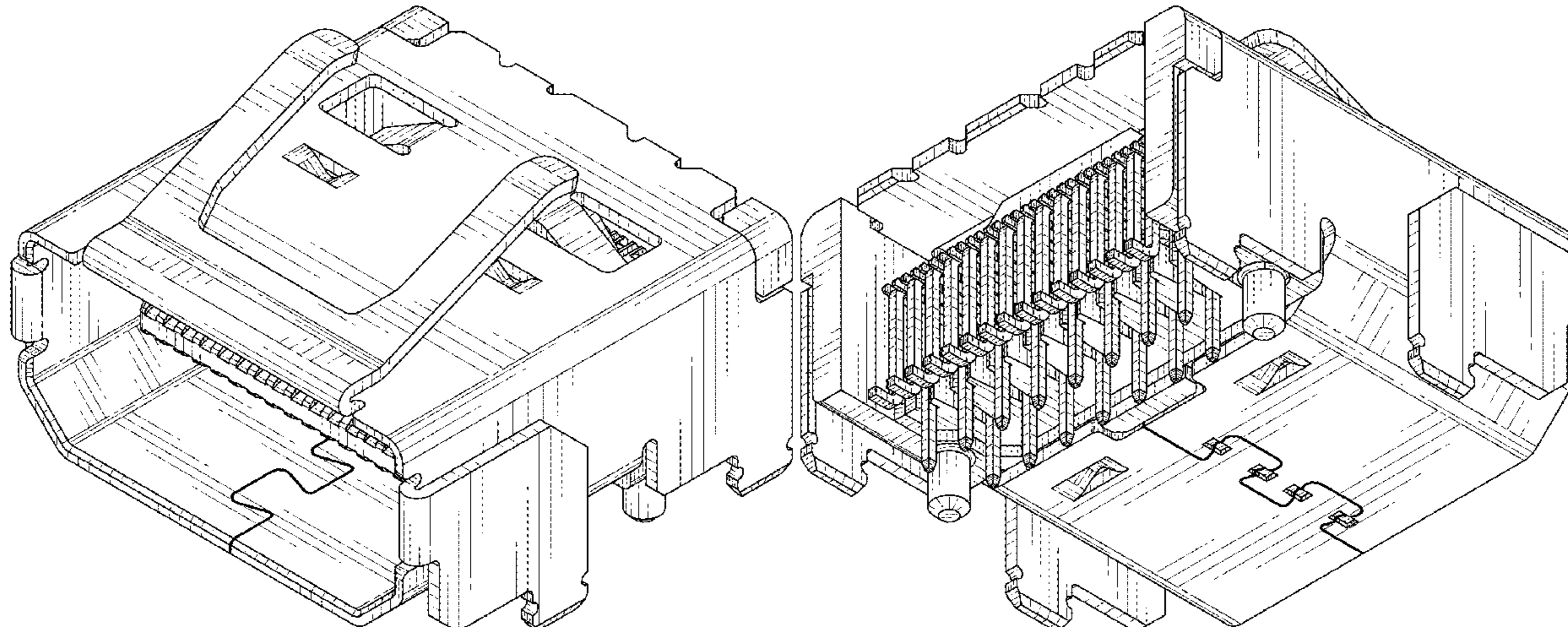
FIG. 8 is a perspective view showing a rear, bottom and left side thereof;

FIG. 9 is a perspective view showing a front, right and bottom side thereof; and,

FIG. 10 is a perspective view showing a rear, left and top side thereof.

The broken line showing of the connector is for the purpose of illustrating portions of the article and forms no part of the claimed design.

1 Claim, 6 Drawing Sheets



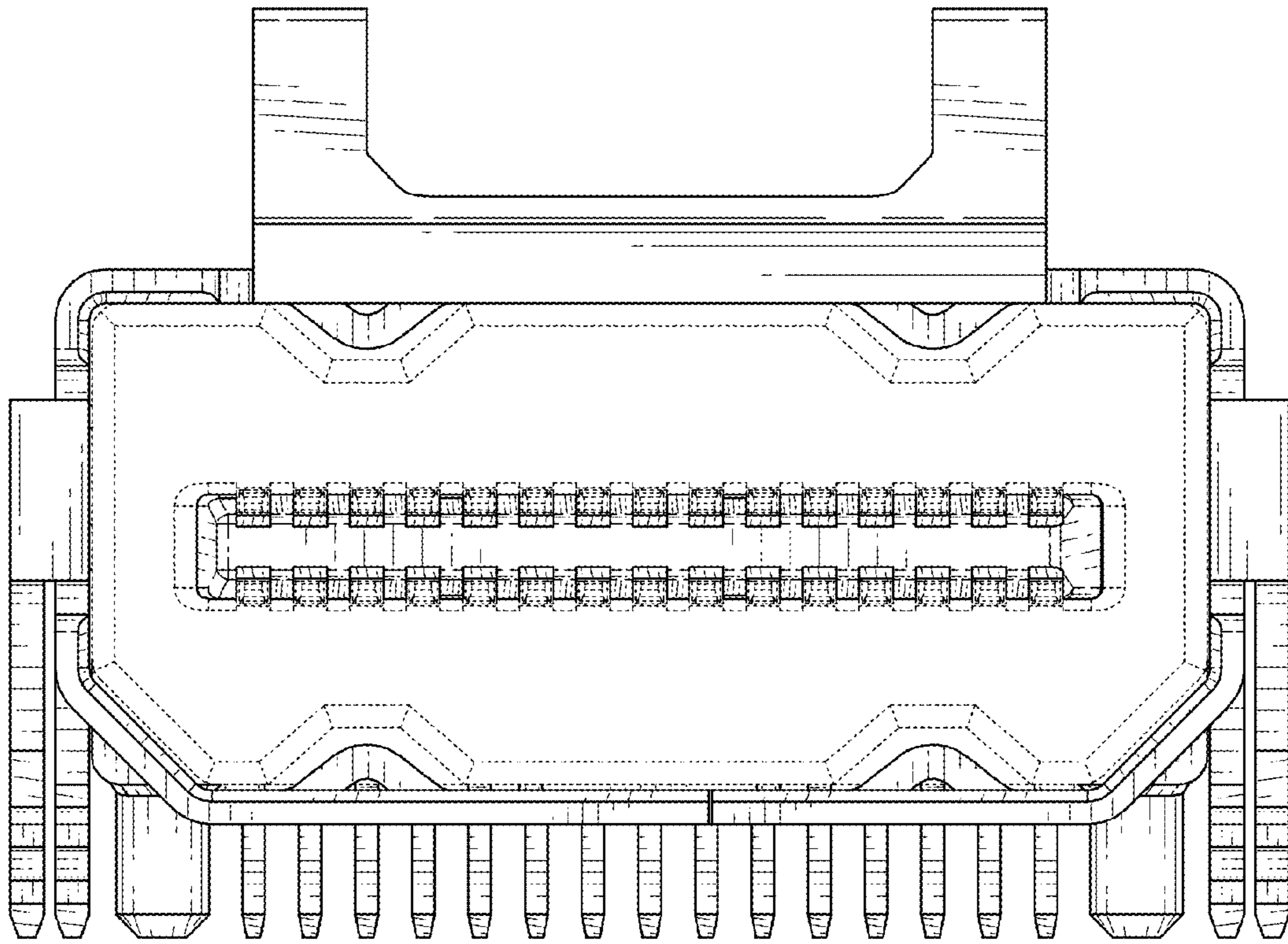


FIG. 1

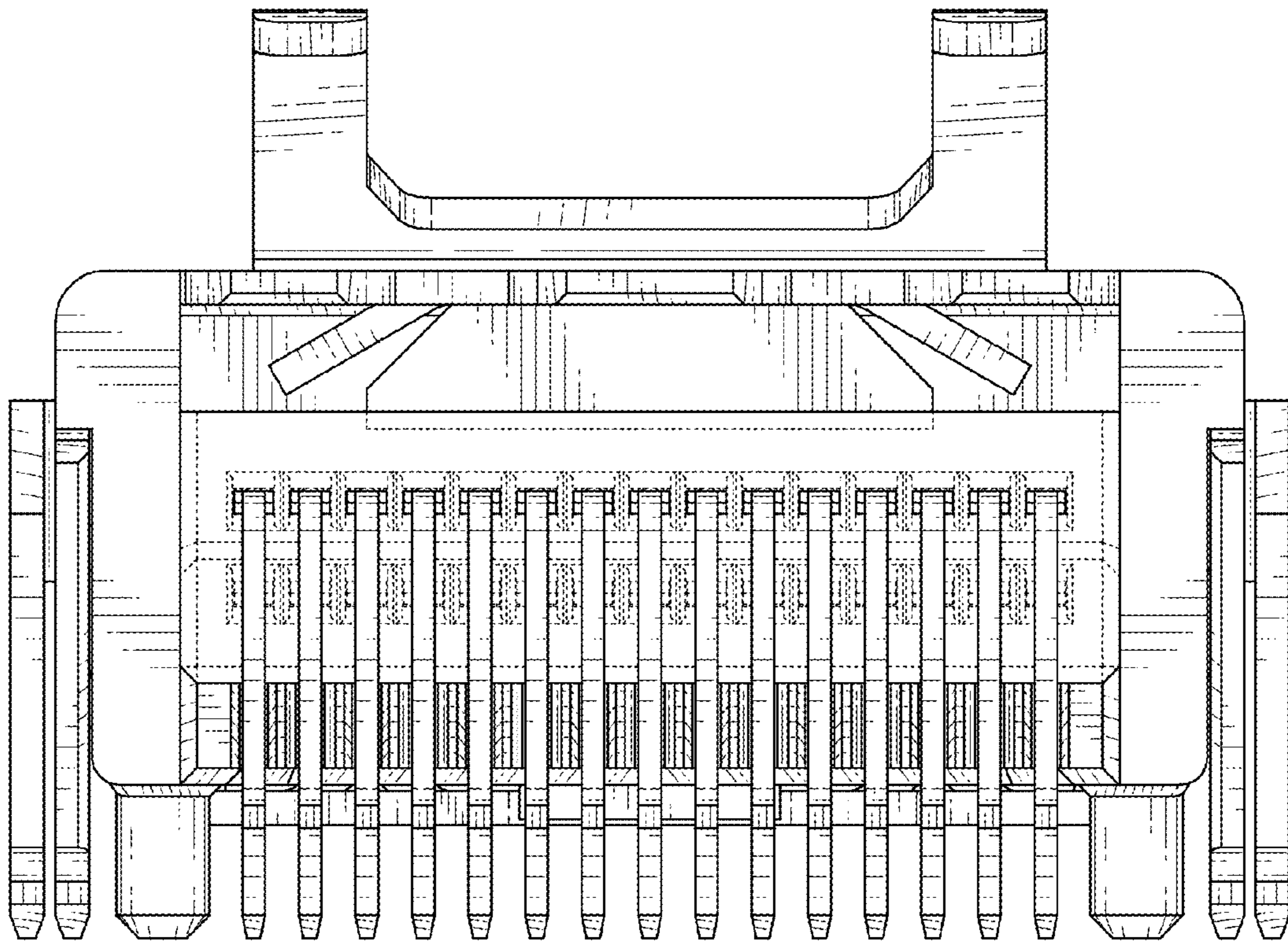


FIG. 2

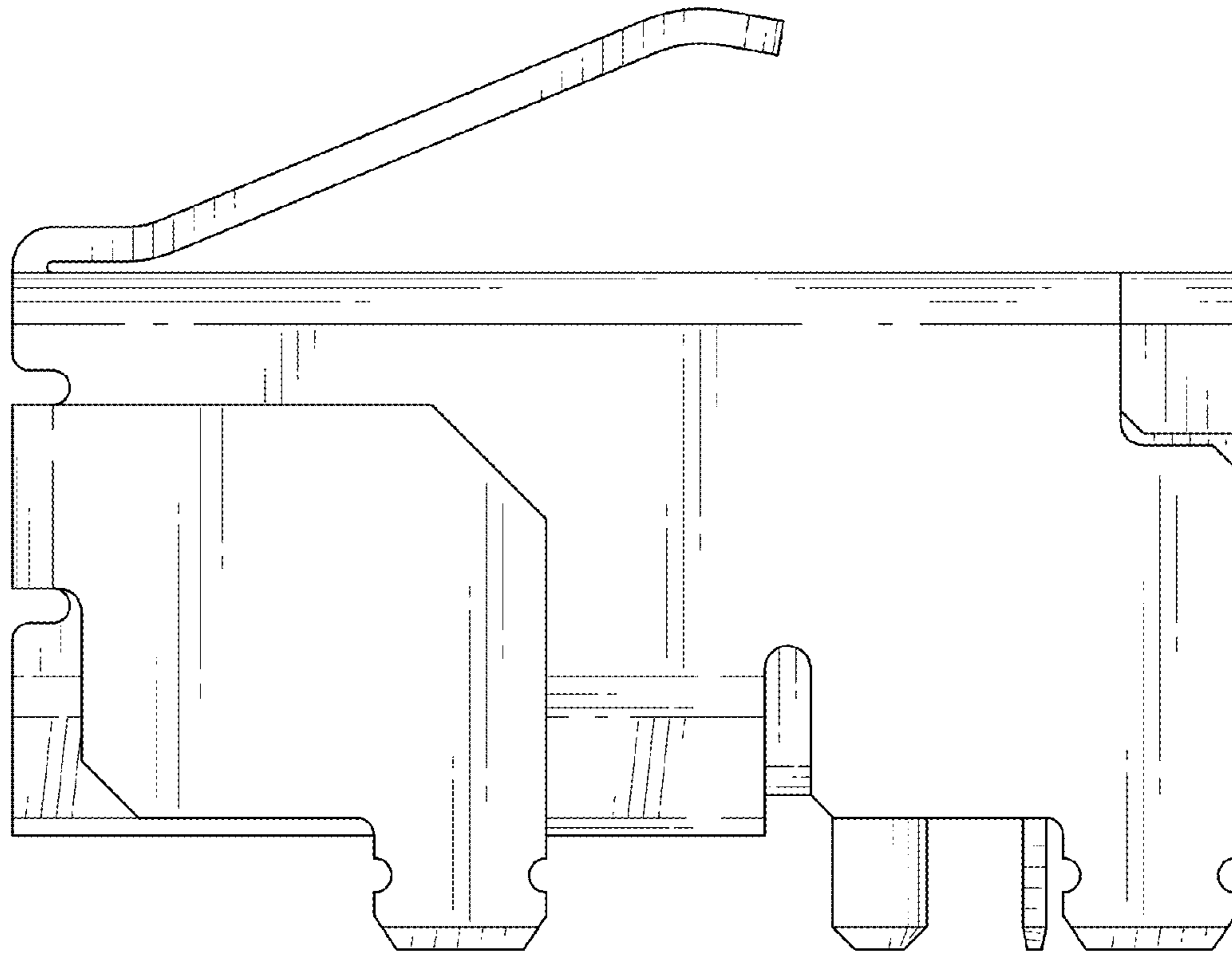


FIG. 3

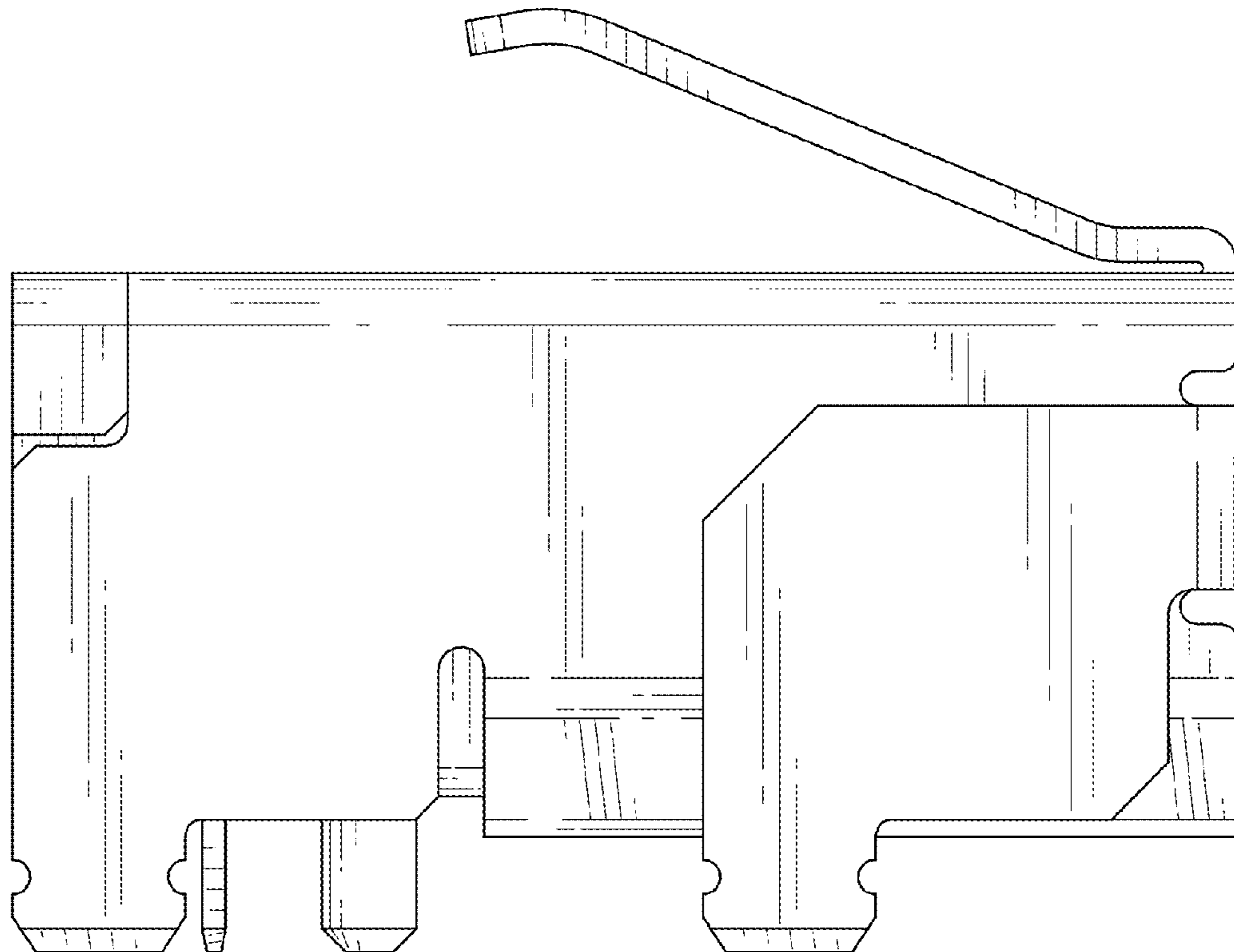


FIG. 4

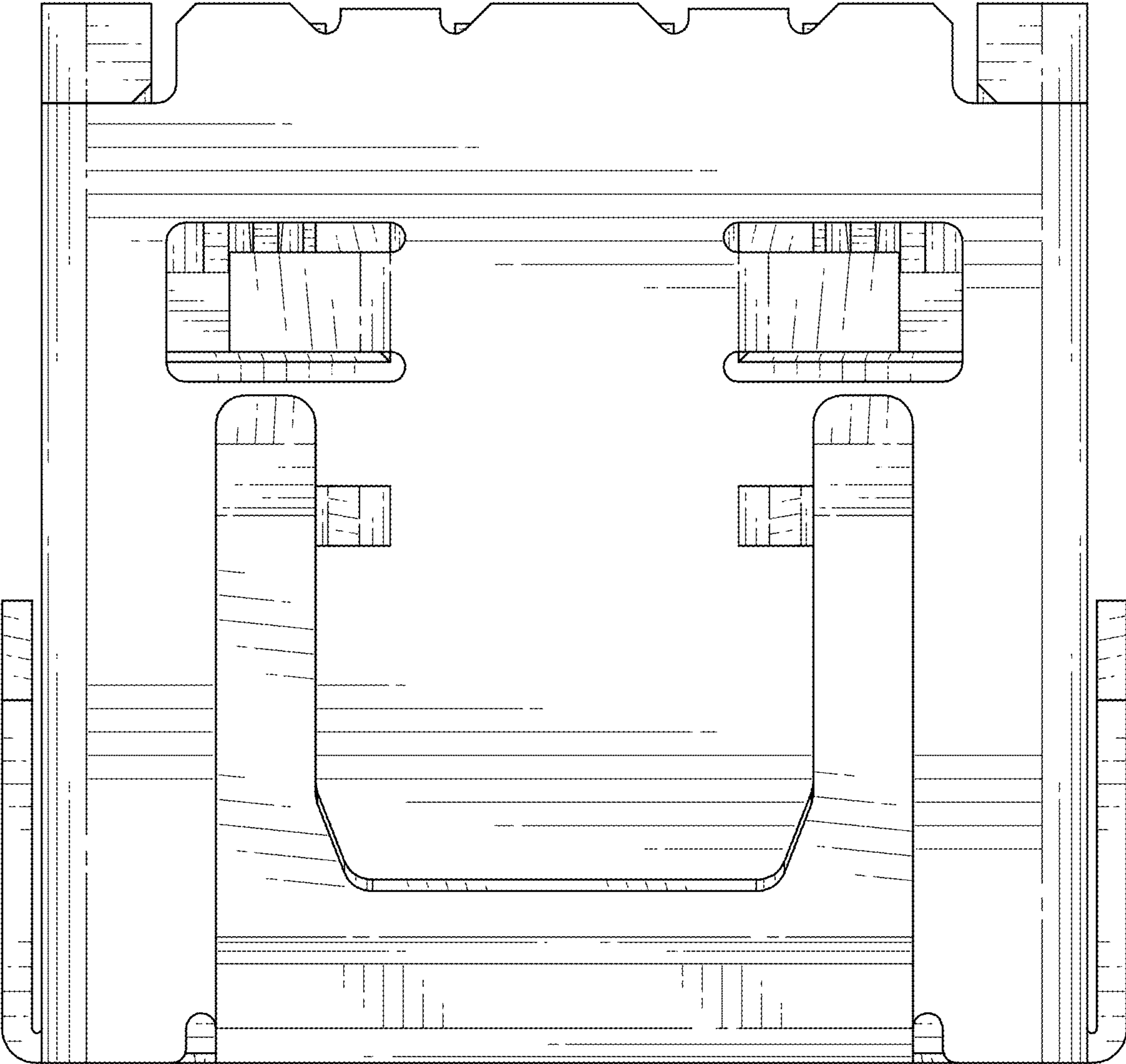


FIG. 5

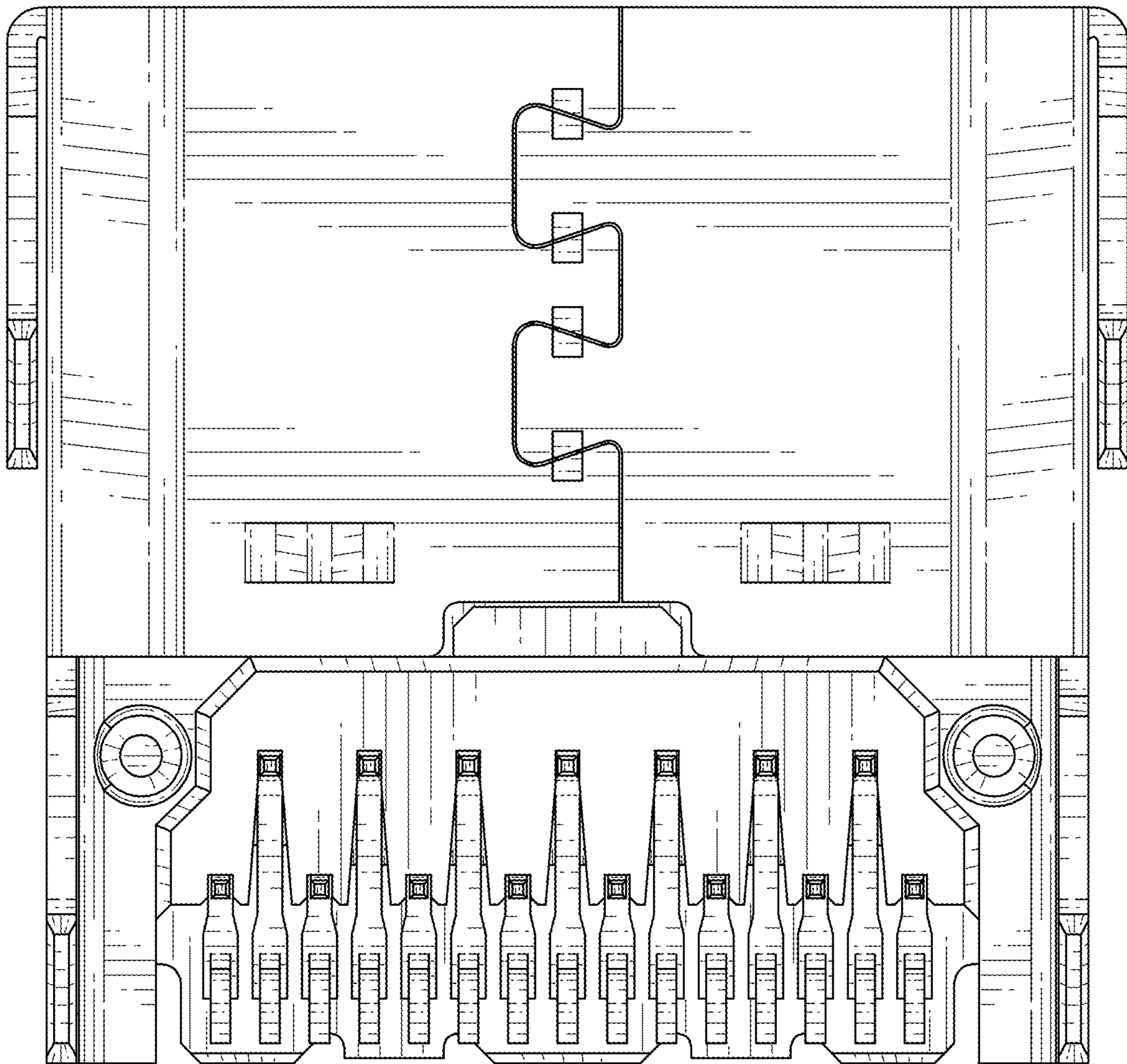


FIG. 6

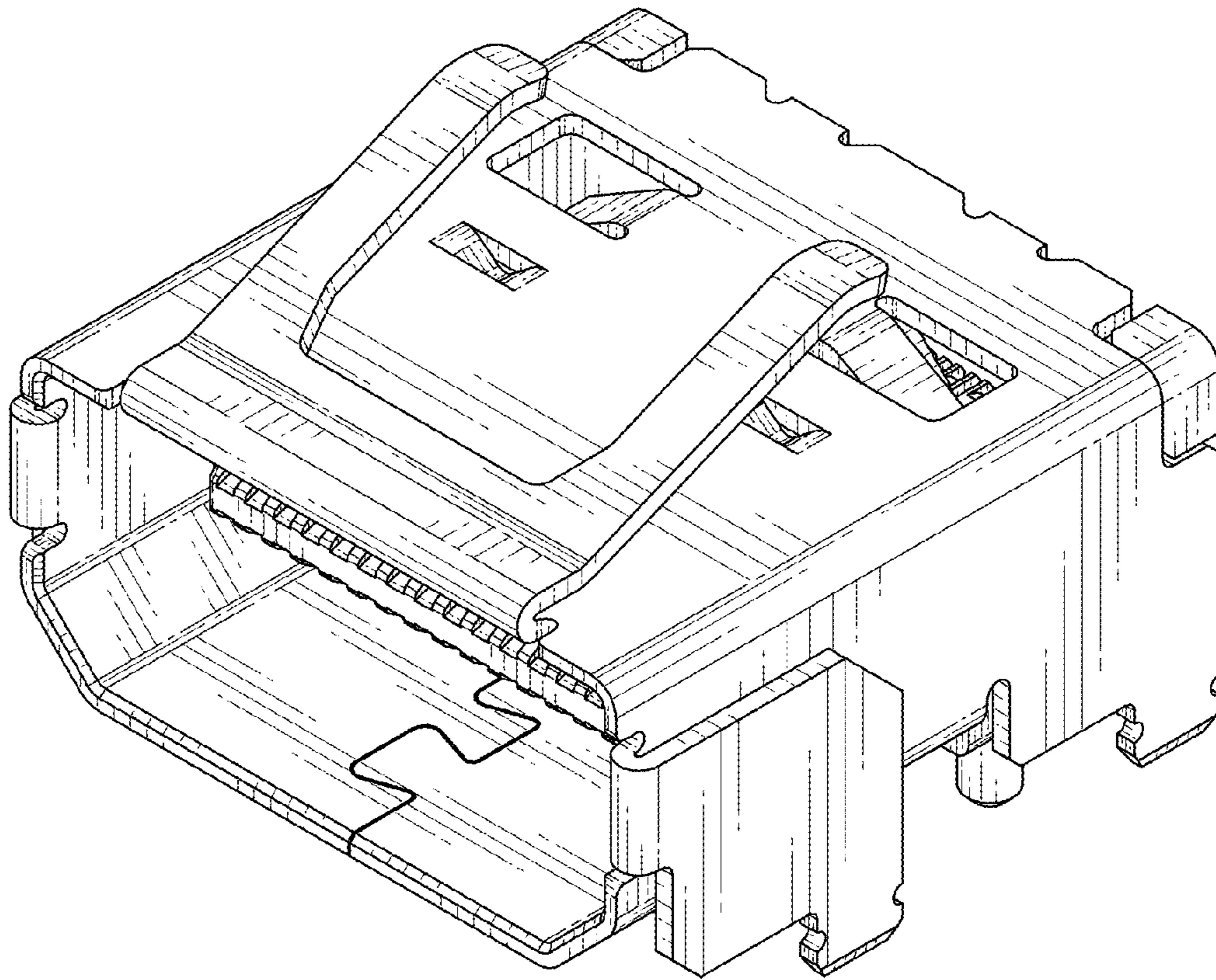


FIG. 7

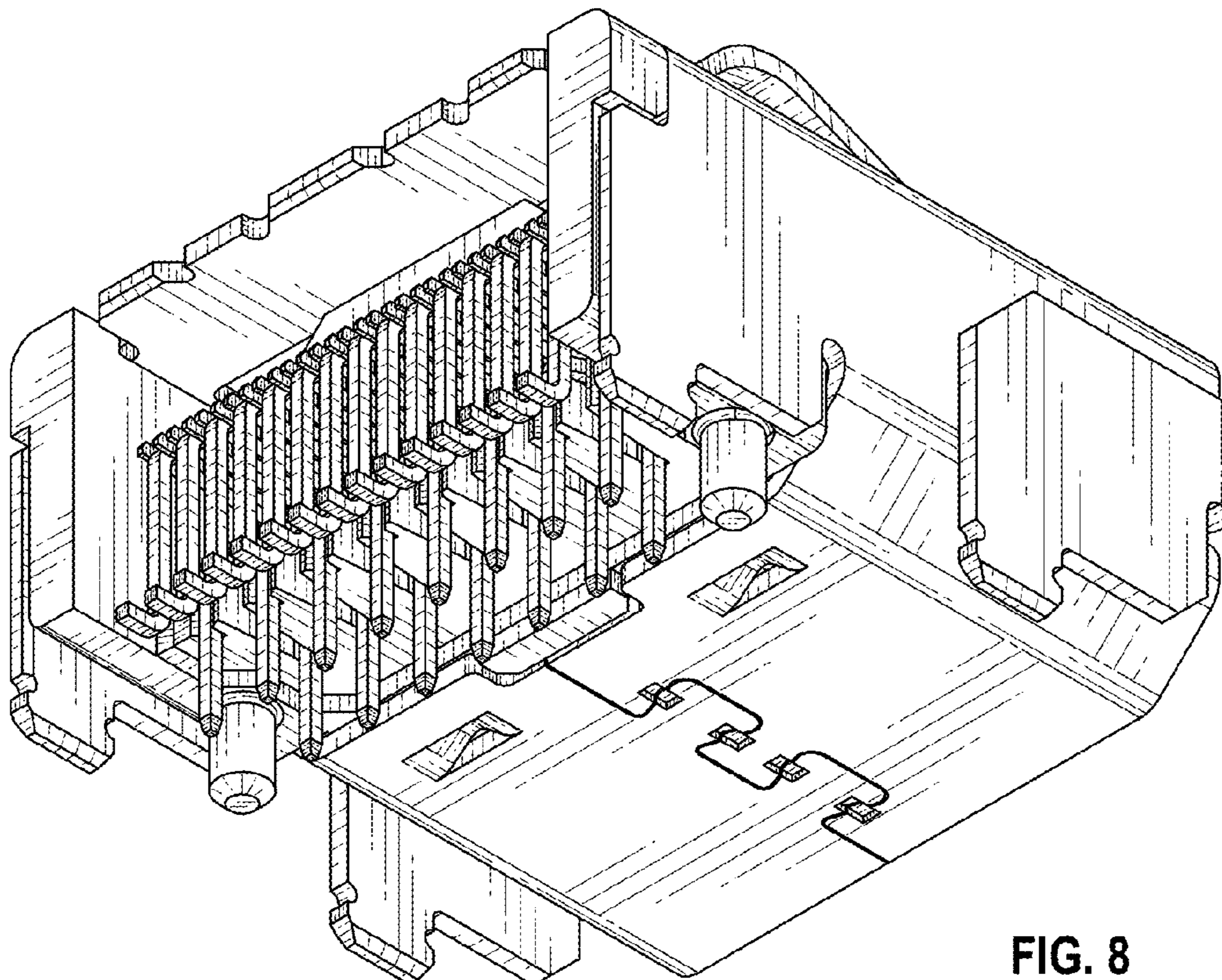


FIG. 8

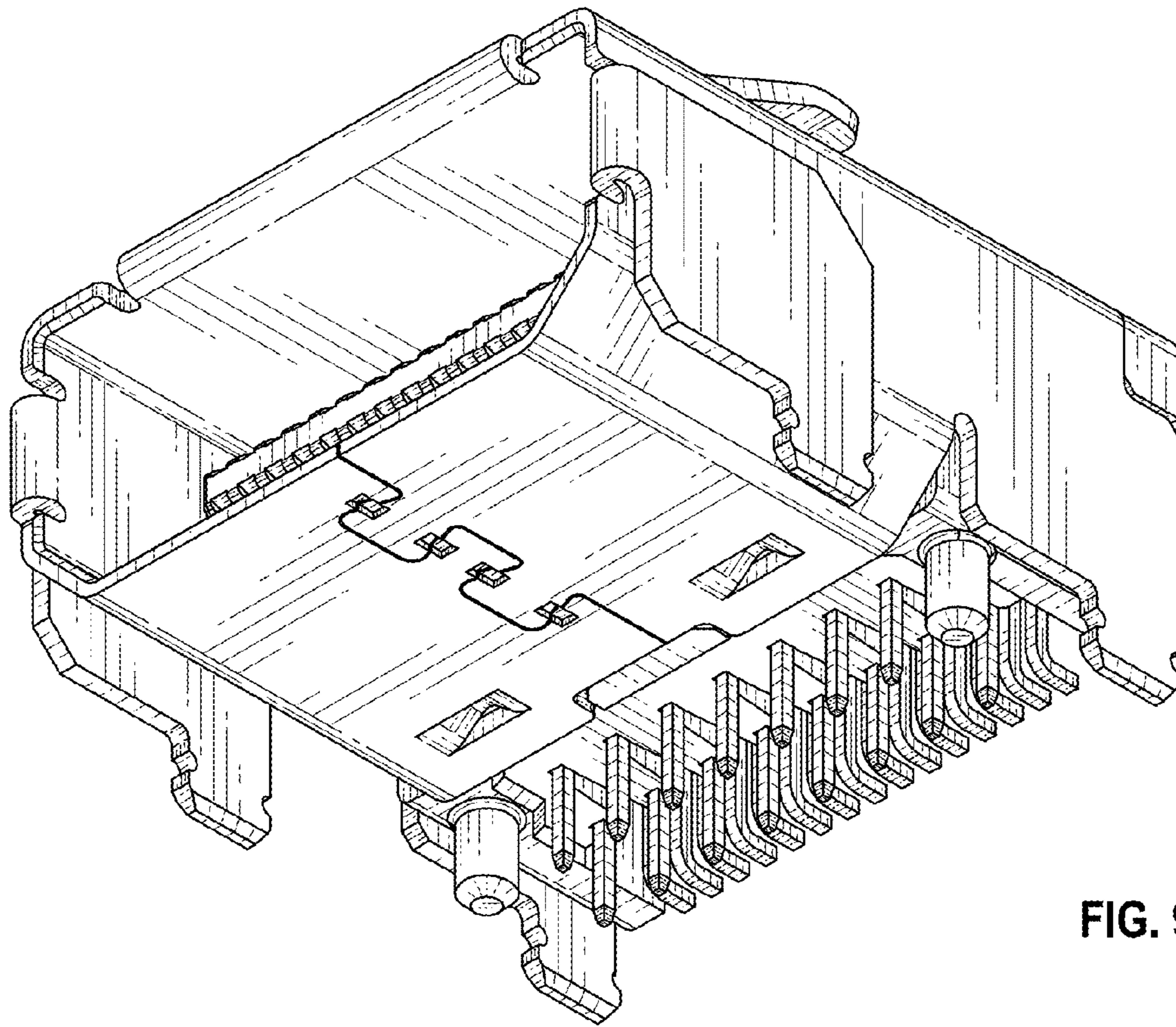


FIG. 9

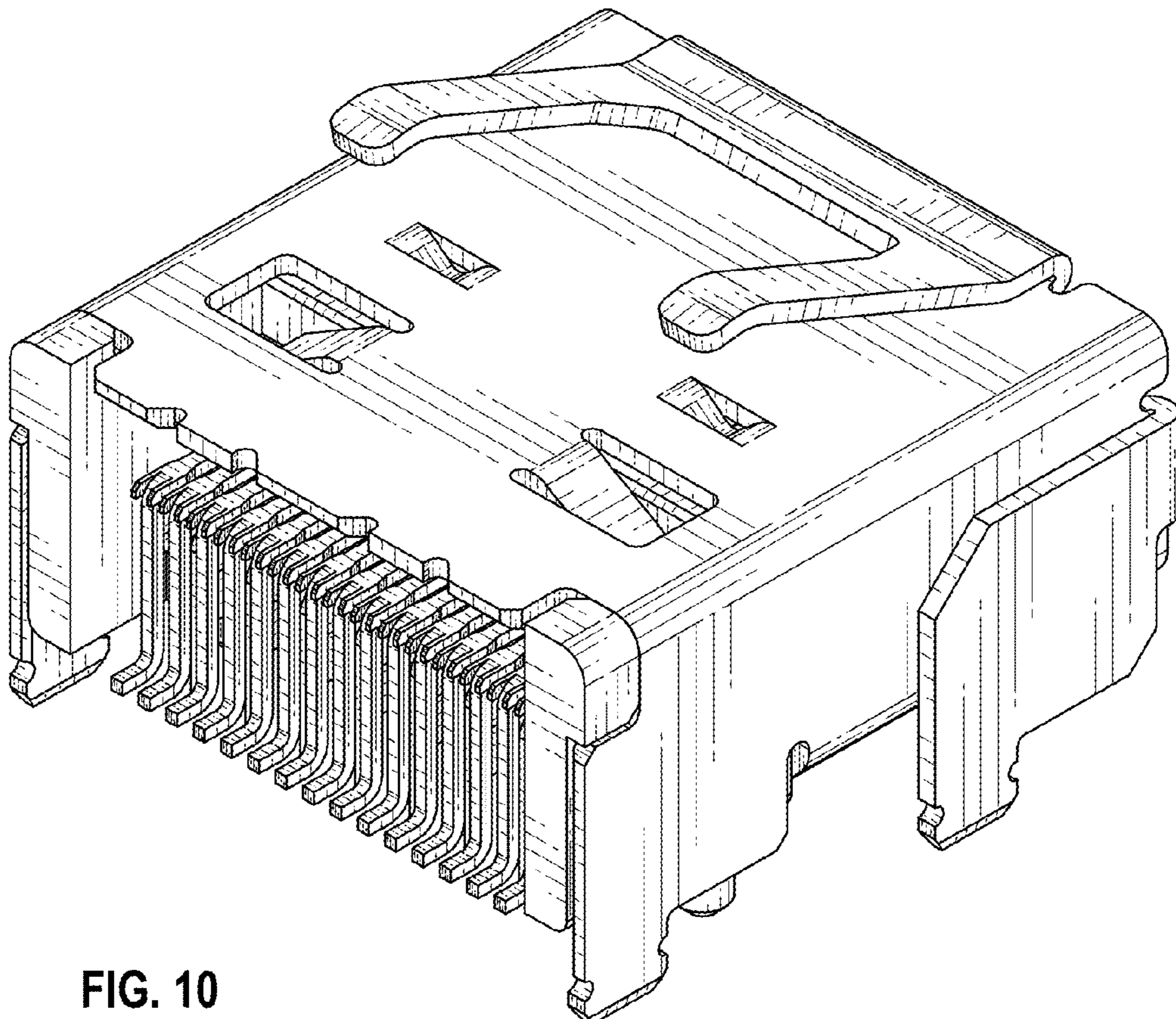


FIG. 10