



US00D924160S

(12) **United States Design Patent**
Oosaka

(10) **Patent No.:** **US D924,160 S**

(45) **Date of Patent:** **** Jul. 6, 2021**

(54) **CONNECTOR**

(57) **CLAIM**

(71) Applicant: **Japan Aviation Electronics Industry, Limited**, Tokyo (JP)

The ornamental design for a connector, as shown and described.

(72) Inventor: **Junji Oosaka**, Tokyo (JP)

(73) Assignee: **JAPAN AVIATION ELECTRONICS INDUSTRY, LIMITED**, Tokyo (JP)

DESCRIPTION

(**) Term: **15 Years**

FIG. 1 is a front elevational view of a connector showing my new design;

(21) Appl. No.: **29/691,810**

FIG. 2 is a rear elevational view thereof;

(22) Filed: **May 20, 2019**

FIG. 3 is a right side elevational view thereof;

(30) **Foreign Application Priority Data**

Nov. 28, 2018 (JP) 2018-025817
Dec. 4, 2018 (JP) 2018-026339

FIG. 4 is a left side elevational view thereof;

(51) **LOC (13) Cl.** **13-03**

FIG. 5 is a top plan view thereof;

(52) **U.S. Cl.**

USPC **D13/147**

FIG. 6 is a bottom plan view thereof;

(58) **Field of Classification Search**

USPC D13/147, 146, 133, 154, 118, 110, 101,
D13/123, 184, 199, 153, 155, 156;
D14/356, 433, 432, 435.1, 182, 435, 199,
D14/149

FIG. 7 is a perspective view showing a front, top and right side thereof;

CPC H01R 24/60; H01R 24/70; H01R 13/5205;
H01R 13/5219; H01R 13/642; H01R
13/6471; H01R 13/6581; H01R 13/6582;
H01R 13/6591; H01R 13/6596

FIG. 8 is a perspective view showing a rear, bottom and left side thereof;

See application file for complete search history.

FIG. 9 is a perspective view showing a front, right and bottom side thereof;

(56) **References Cited**

U.S. PATENT DOCUMENTS

D744,430 S * 12/2015 Yokoyama D13/147
D797,063 S * 9/2017 Tsai D13/174

FIG. 10 is a perspective view showing a rear, left and top side thereof;

FIG. 11 is a front elevational view of another connector showing my new design;

FIG. 12 is a rear elevational view thereof;

FIG. 13 is a right side elevational view thereof;

FIG. 14 is a left side elevational view thereof;

FIG. 15 is a top plan view thereof;

FIG. 16 is a bottom plan view thereof;

FIG. 17 is a perspective view showing a front, top and right side thereof;

FIG. 18 is a perspective view showing a rear, bottom and left side thereof;

FIG. 19 is a perspective view showing a front, right and bottom side thereof; and,

FIG. 20 is a perspective view showing a rear, left and top side thereof.

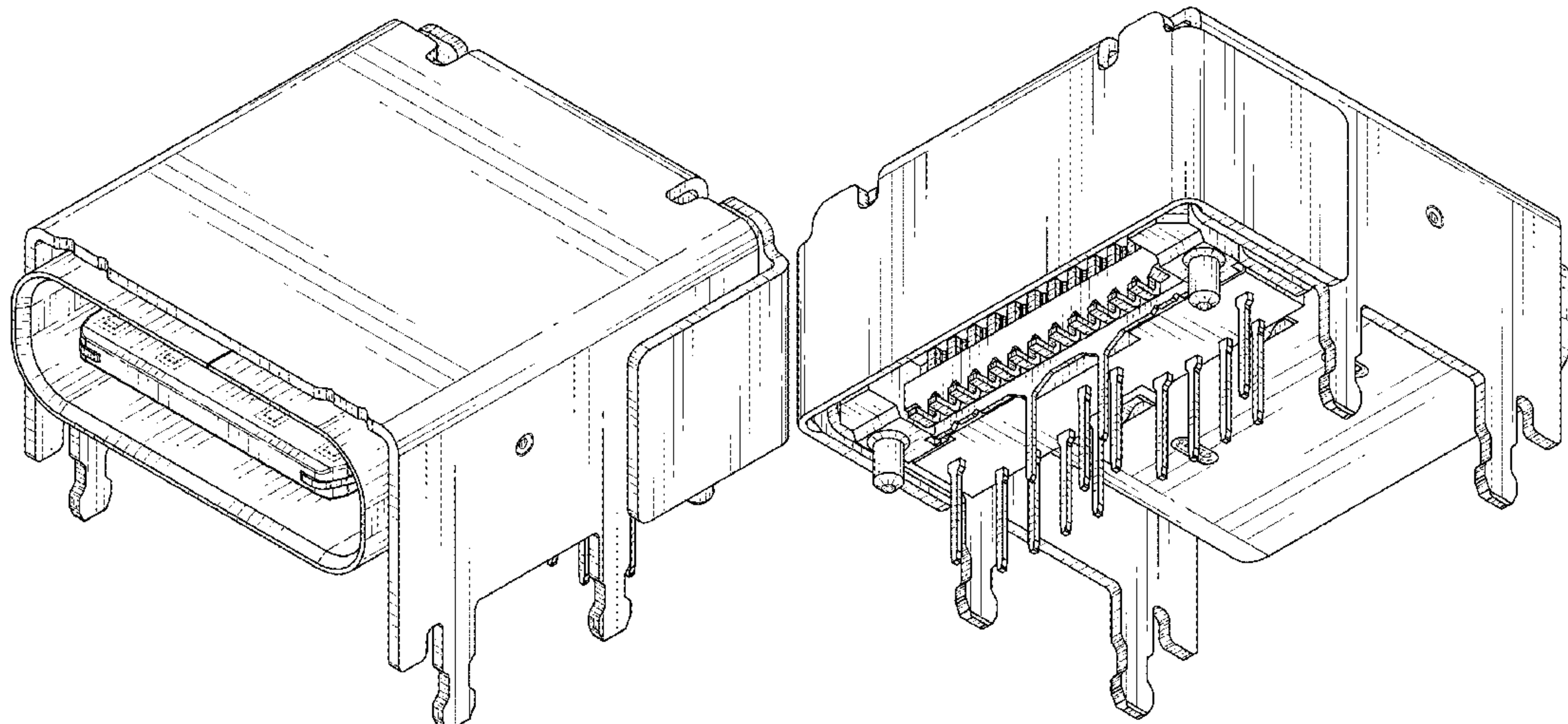
The broken line showing of the connector is for the purpose of illustrating portions of the article and forms no part of the claimed design.

1 Claim, 10 Drawing Sheets

Primary Examiner — Susan Bennett Hattan

Assistant Examiner — Landon Thomas Cassell

(74) *Attorney, Agent, or Firm* — Manabu Kanesaka



(56)

References Cited

U.S. PATENT DOCUMENTS

D825,473 S * 8/2018 Kurosawa D13/147
D867,301 S * 11/2019 Saitou D13/147
2016/0013595 A1 * 1/2016 Kao H01R 13/6474
439/607.55
2016/0294130 A1 * 10/2016 Guo H01R 24/60
2016/0322759 A1 * 11/2016 Park H01R 13/6585
2016/0352050 A1 * 12/2016 Hu H01R 13/648
2017/0110812 A1 * 4/2017 Tsai H01R 12/57
2017/0141495 A1 * 5/2017 Cheng H01R 13/405
2017/0149172 A1 * 5/2017 Nishikata H01R 13/41
2017/0237195 A1 * 8/2017 Oguro H01R 24/60
439/607.01
2017/0338576 A1 * 11/2017 Sato H01R 12/721
2017/0373444 A1 * 12/2017 Hu H01R 13/6582
2018/0076581 A1 * 3/2018 Tsai H01R 24/60
2018/0226740 A1 * 8/2018 Sato H01R 13/405
2019/0229470 A1 * 7/2019 Cheng H01R 24/60
2019/0326693 A1 * 10/2019 Tsai H01R 13/642
2020/0119497 A1 * 4/2020 Chou H01R 13/6471
2020/0136315 A1 * 4/2020 Tanaka H01R 13/405
2020/0244000 A1 * 7/2020 Naito H01R 13/506
2020/0313331 A1 * 10/2020 Oosaka H01R 13/26
2020/0313360 A1 * 10/2020 Oosaka H01R 13/6273

* cited by examiner

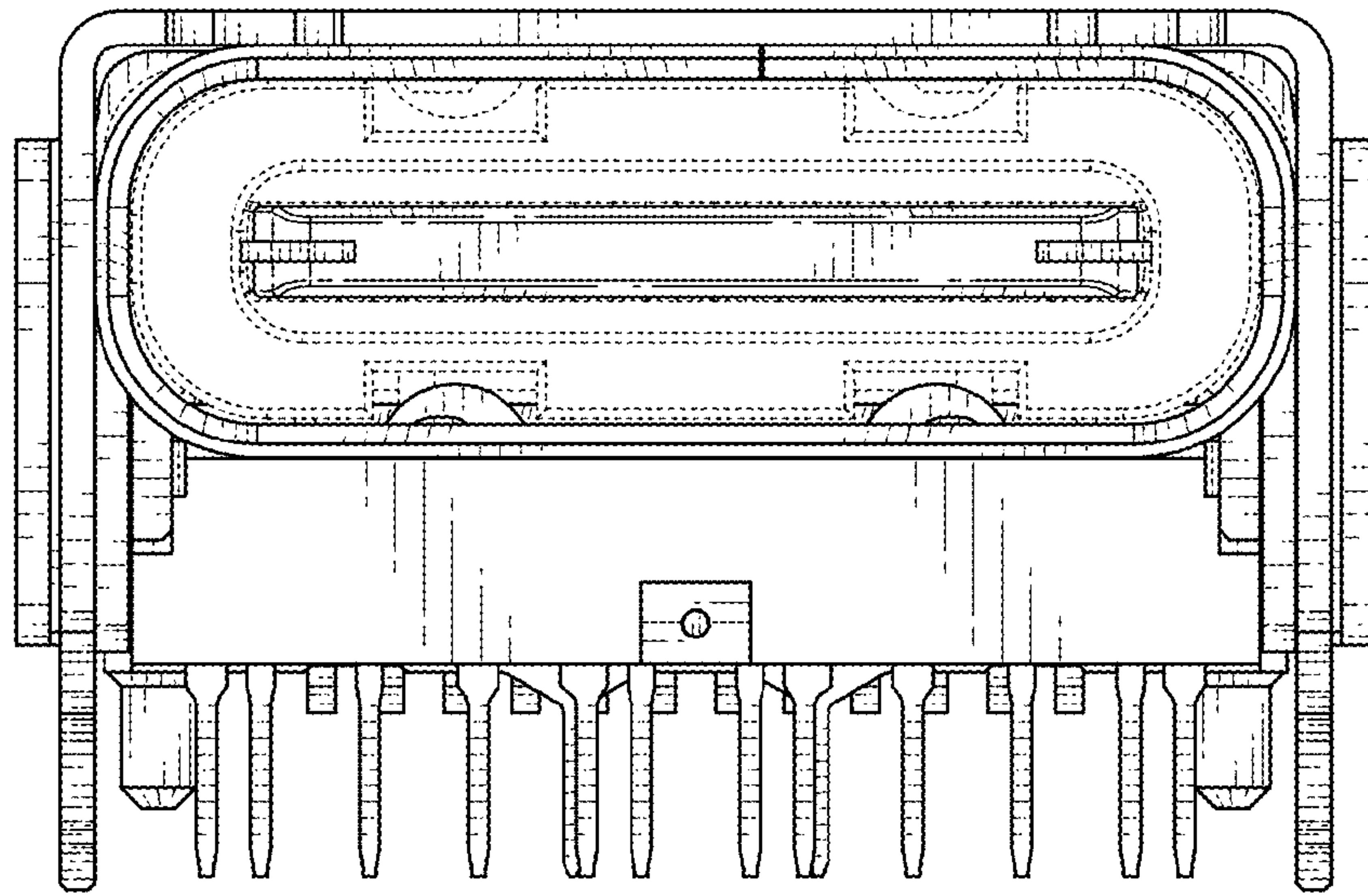


FIG. 1

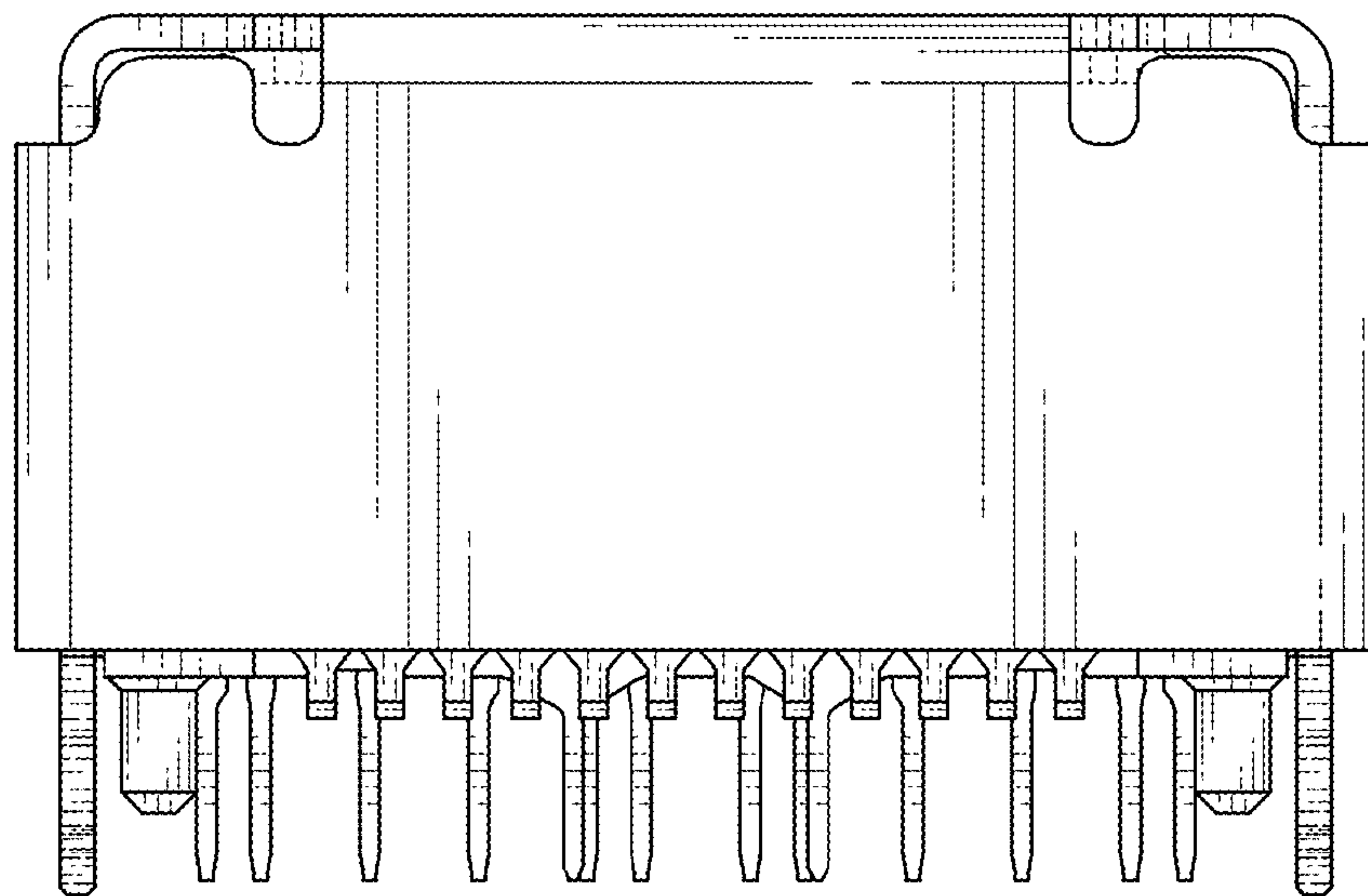


FIG. 2

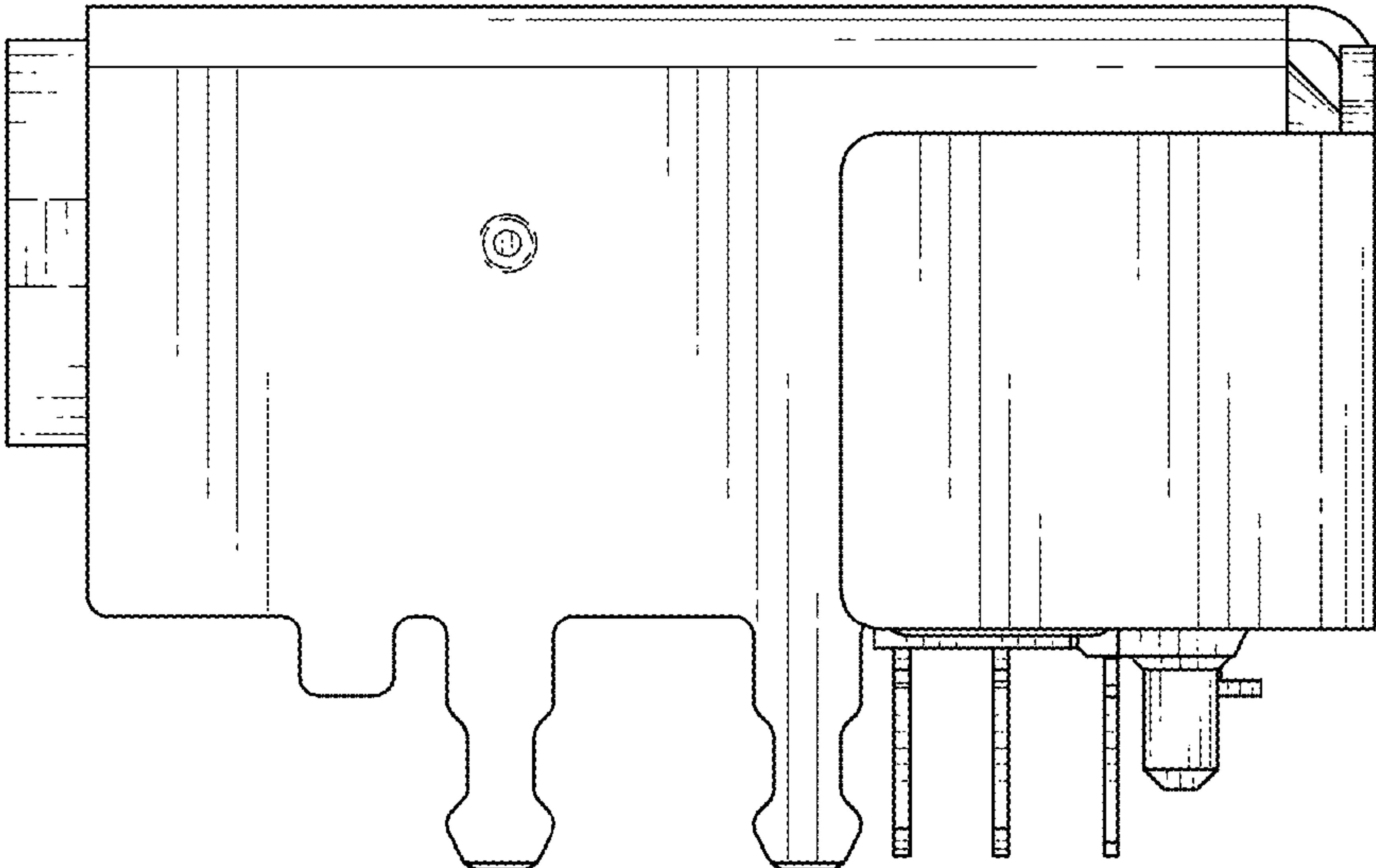


FIG. 3

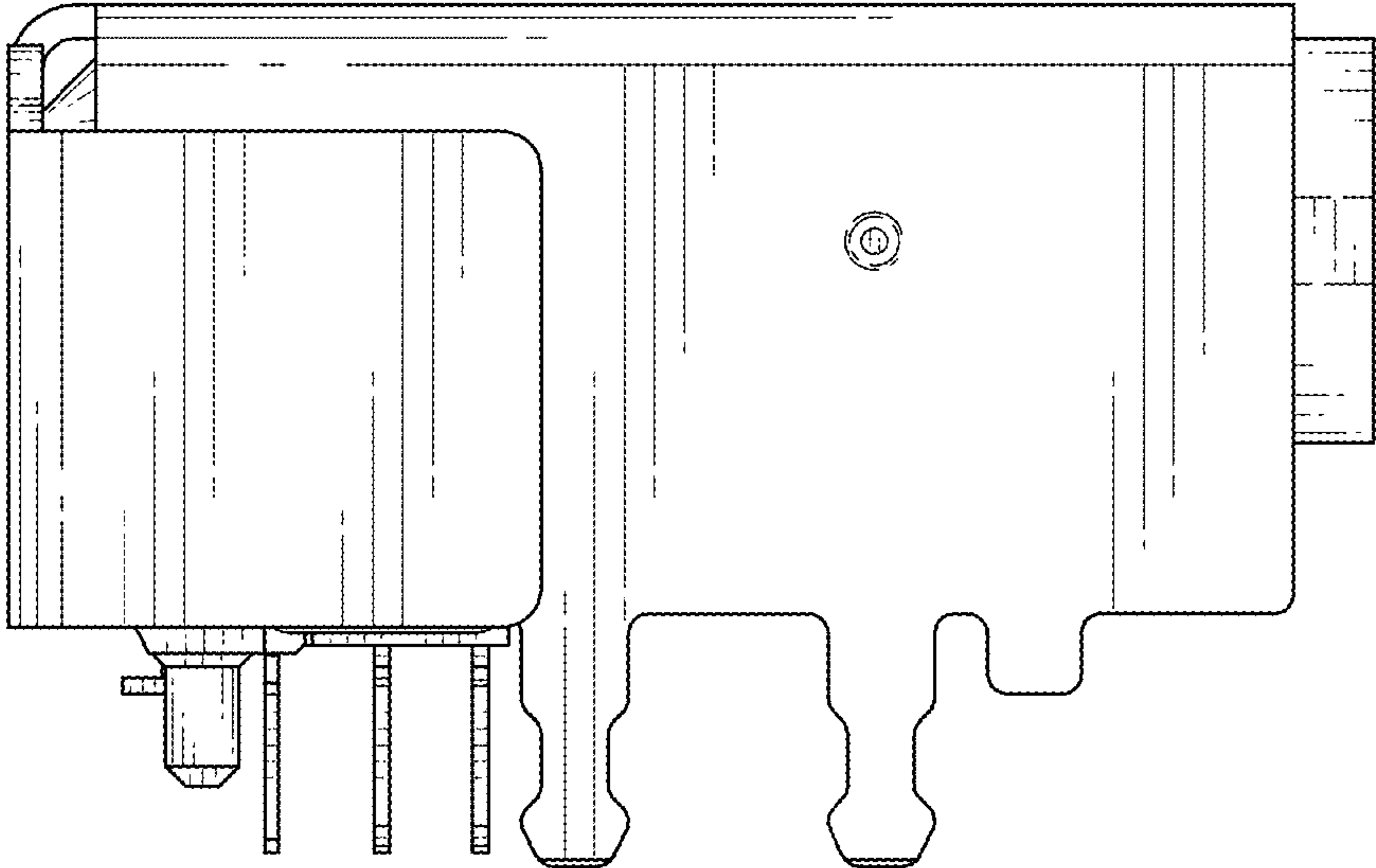


FIG. 4

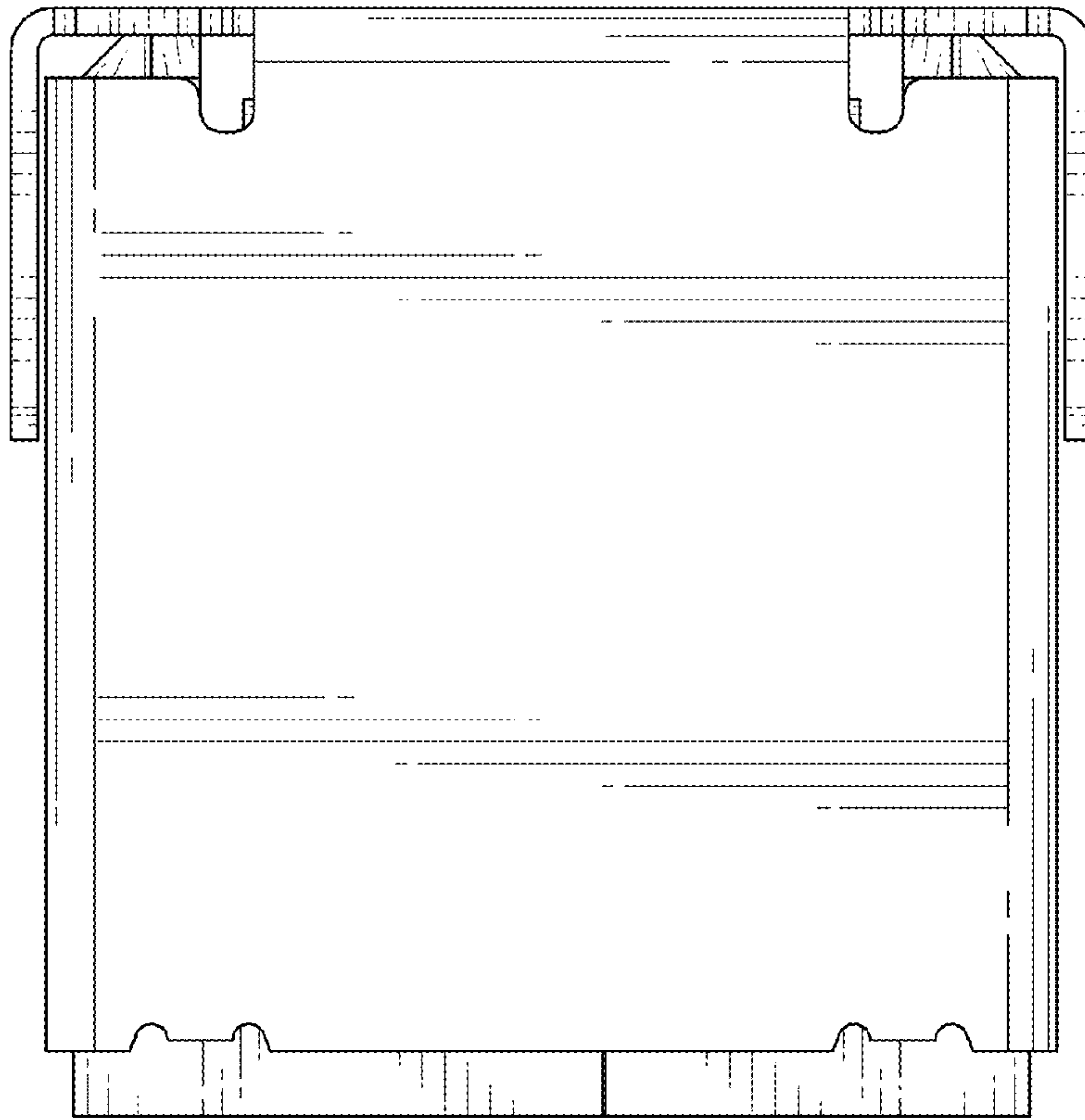


FIG. 5

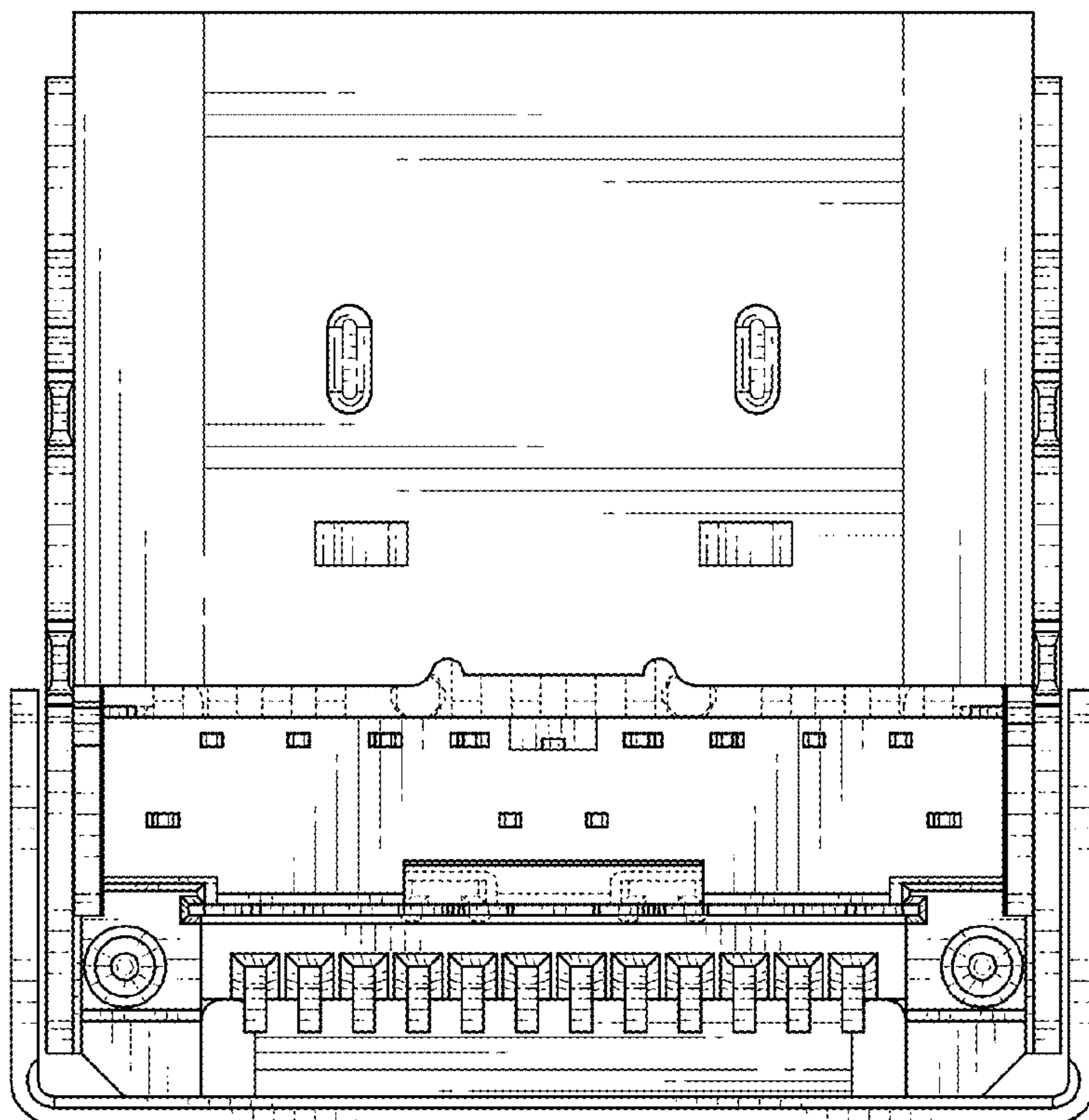


FIG. 6

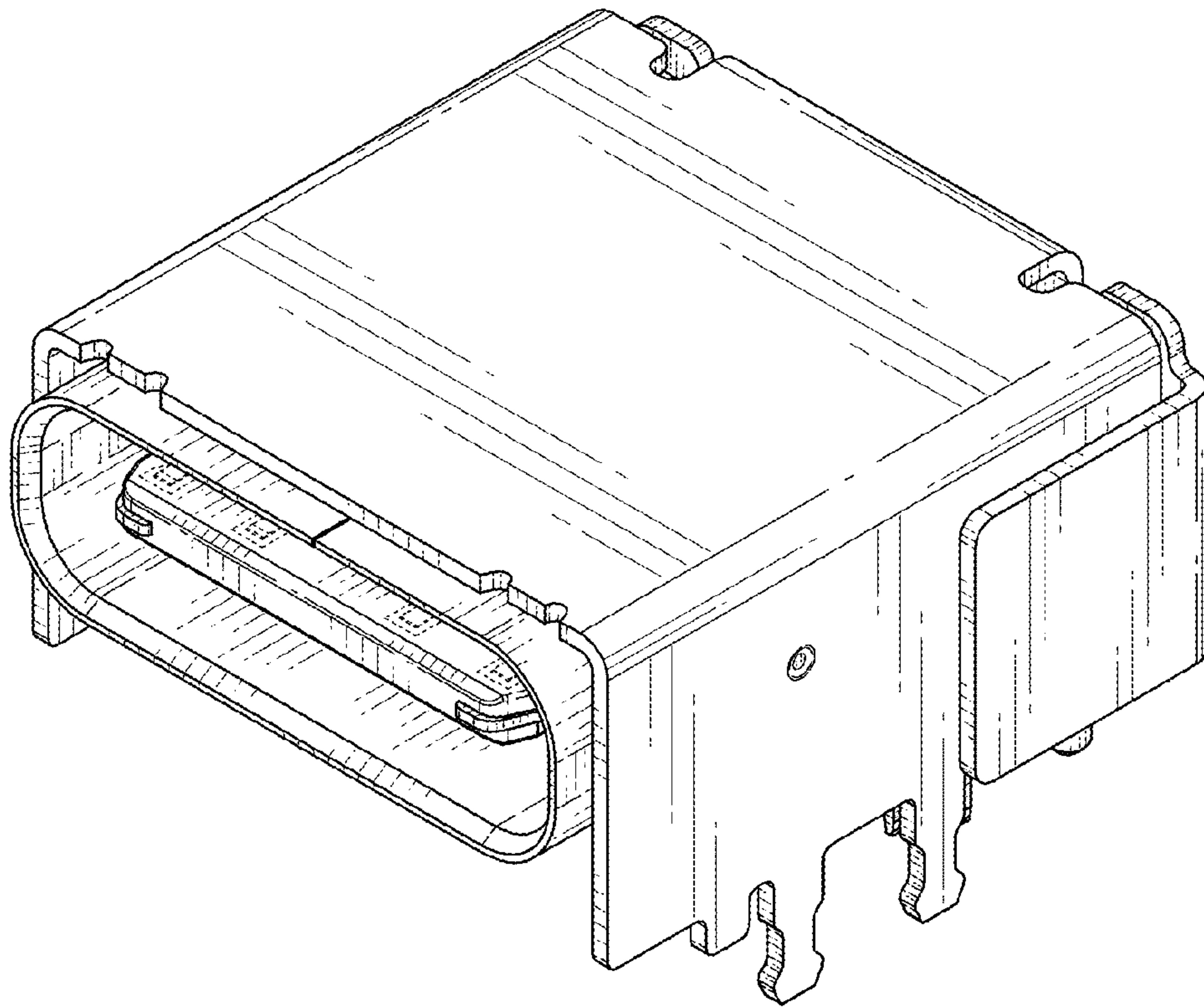


FIG. 7

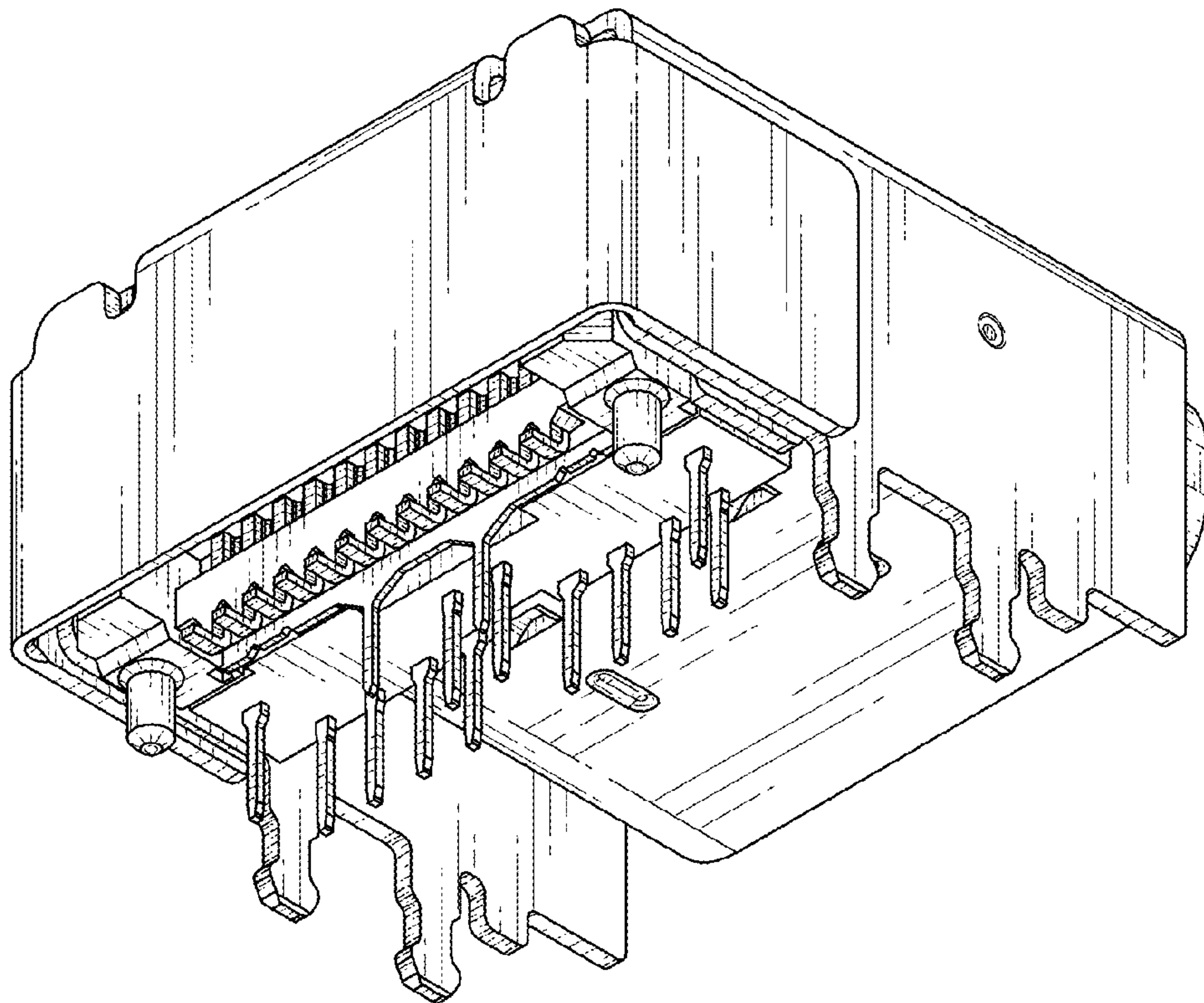


FIG. 8

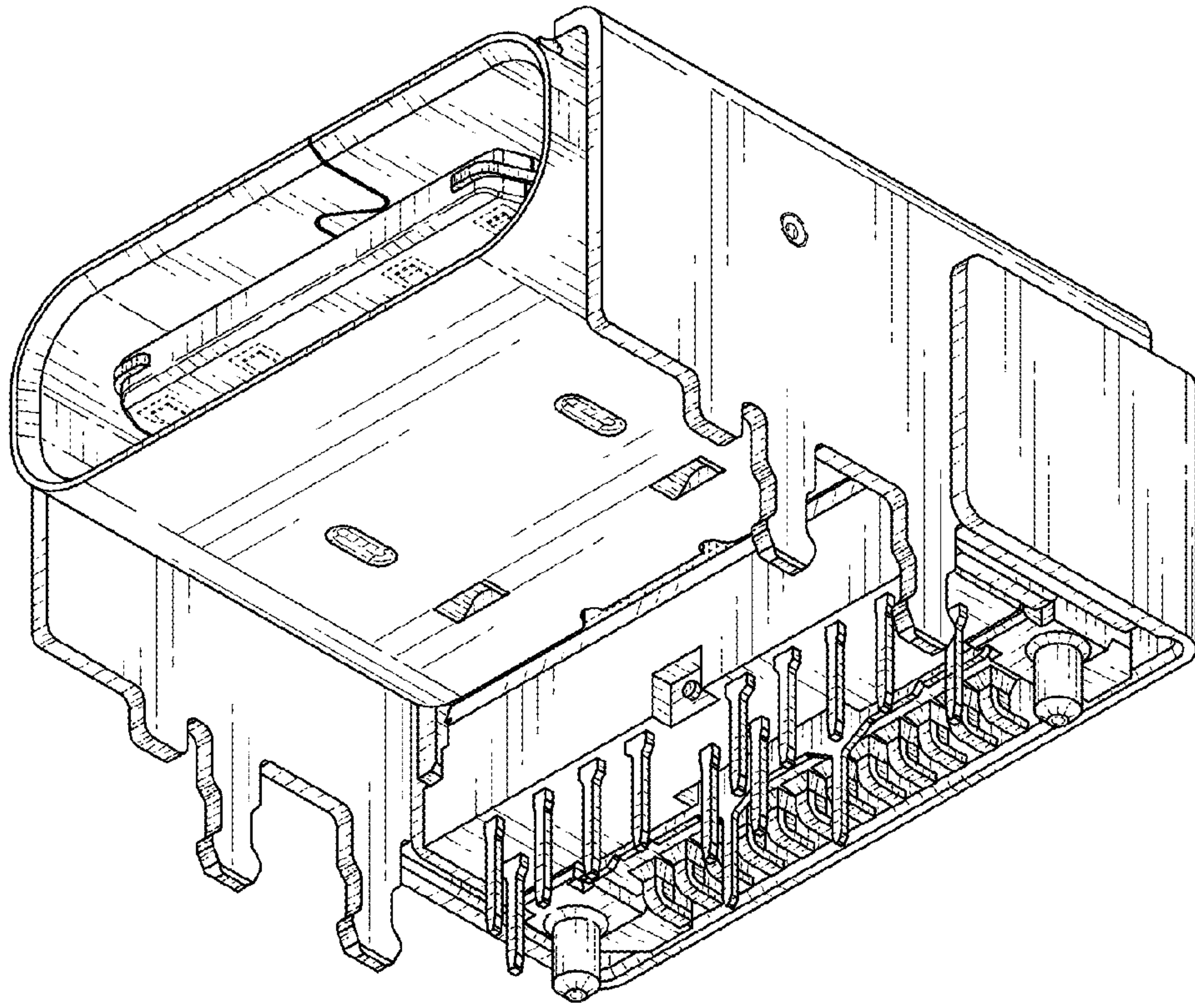


FIG. 9

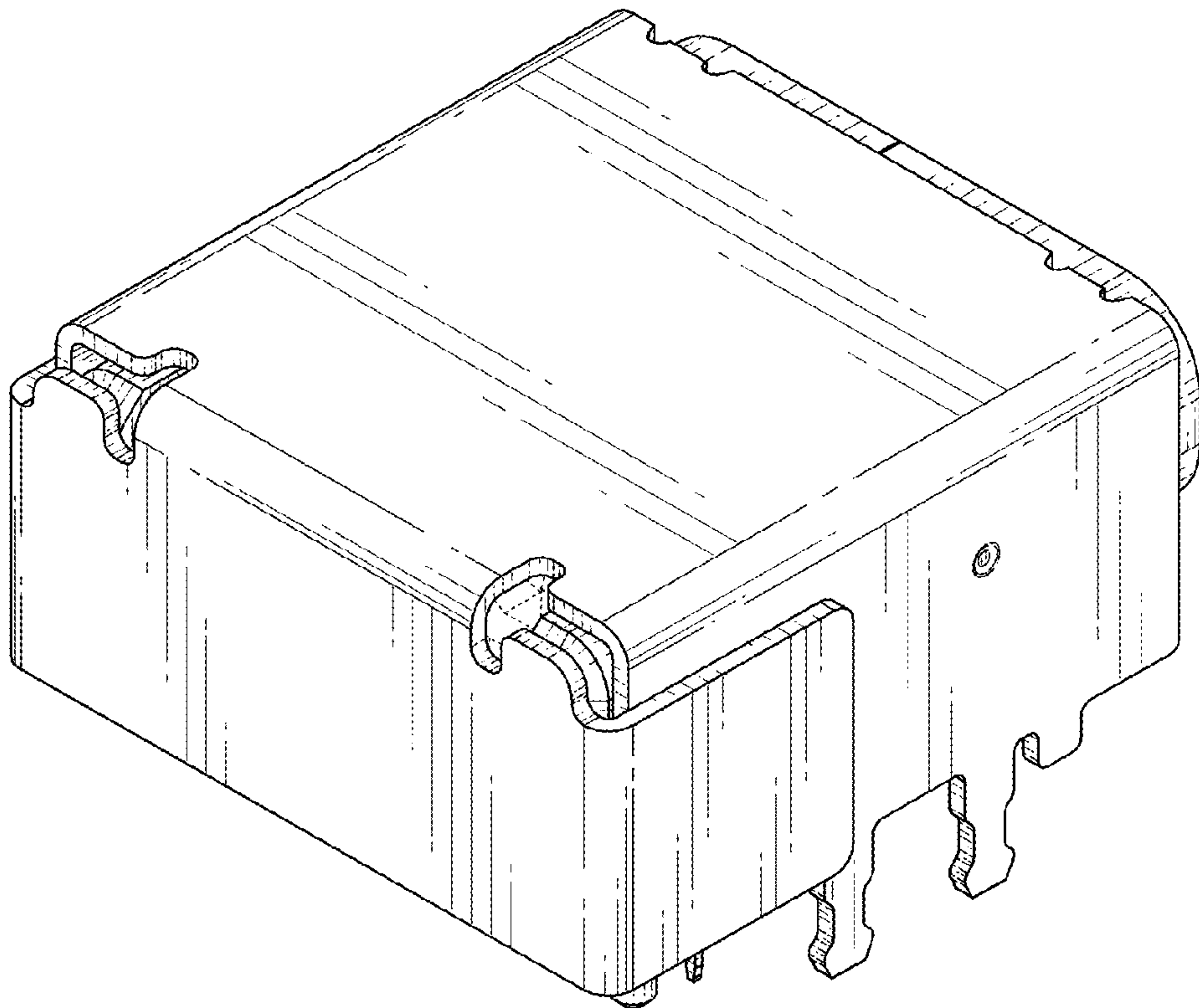


FIG. 10

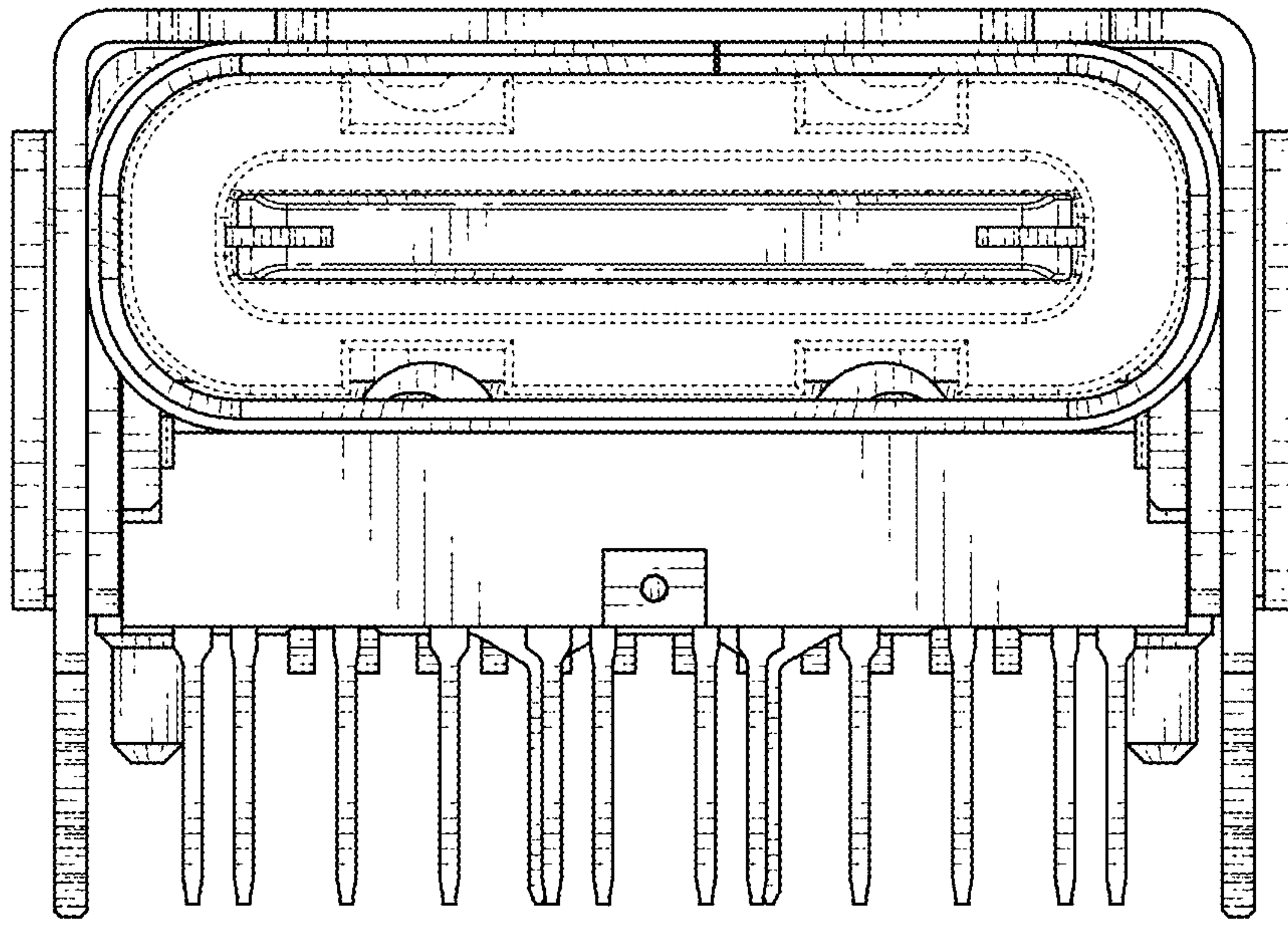


FIG. 11

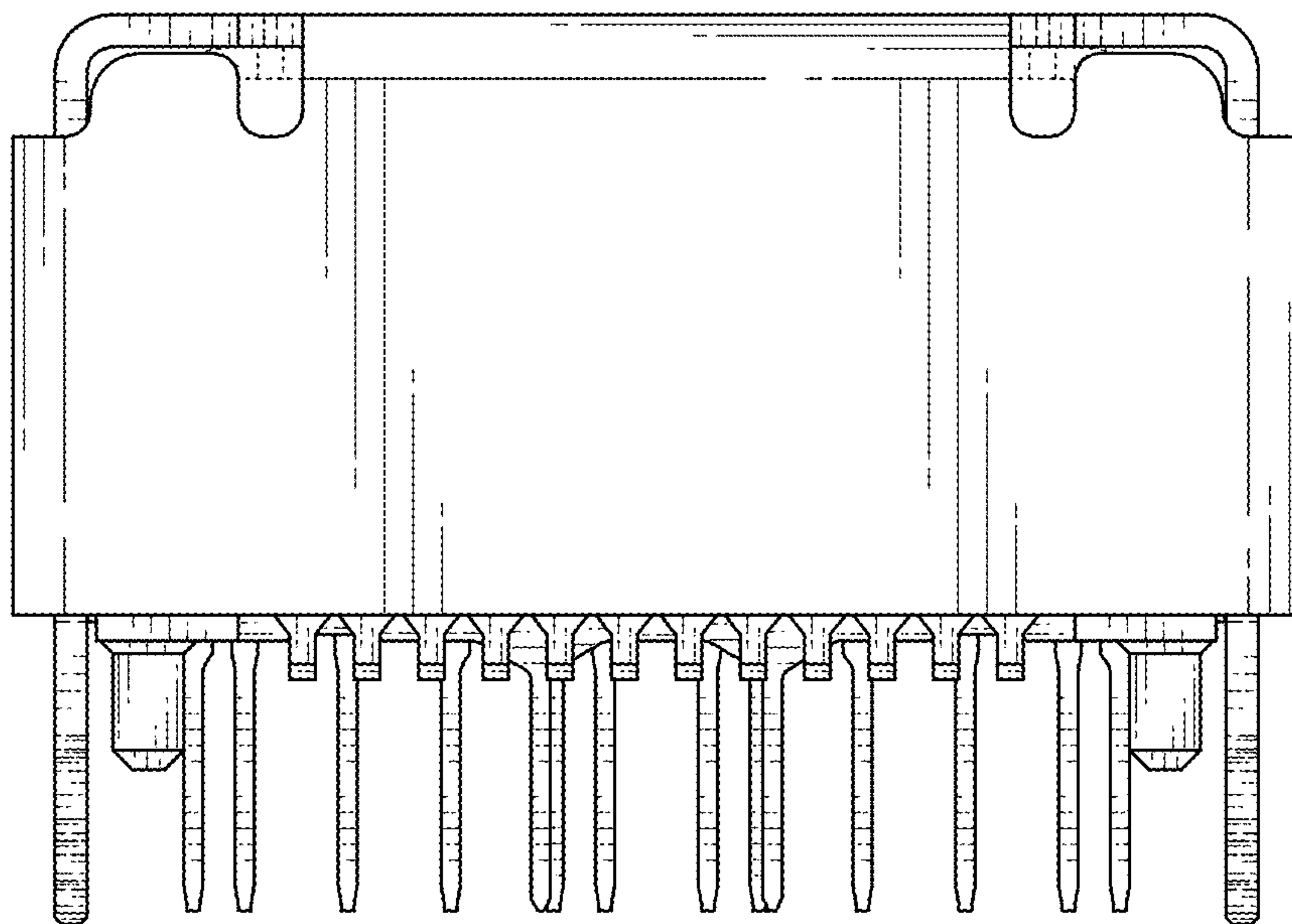


FIG. 12

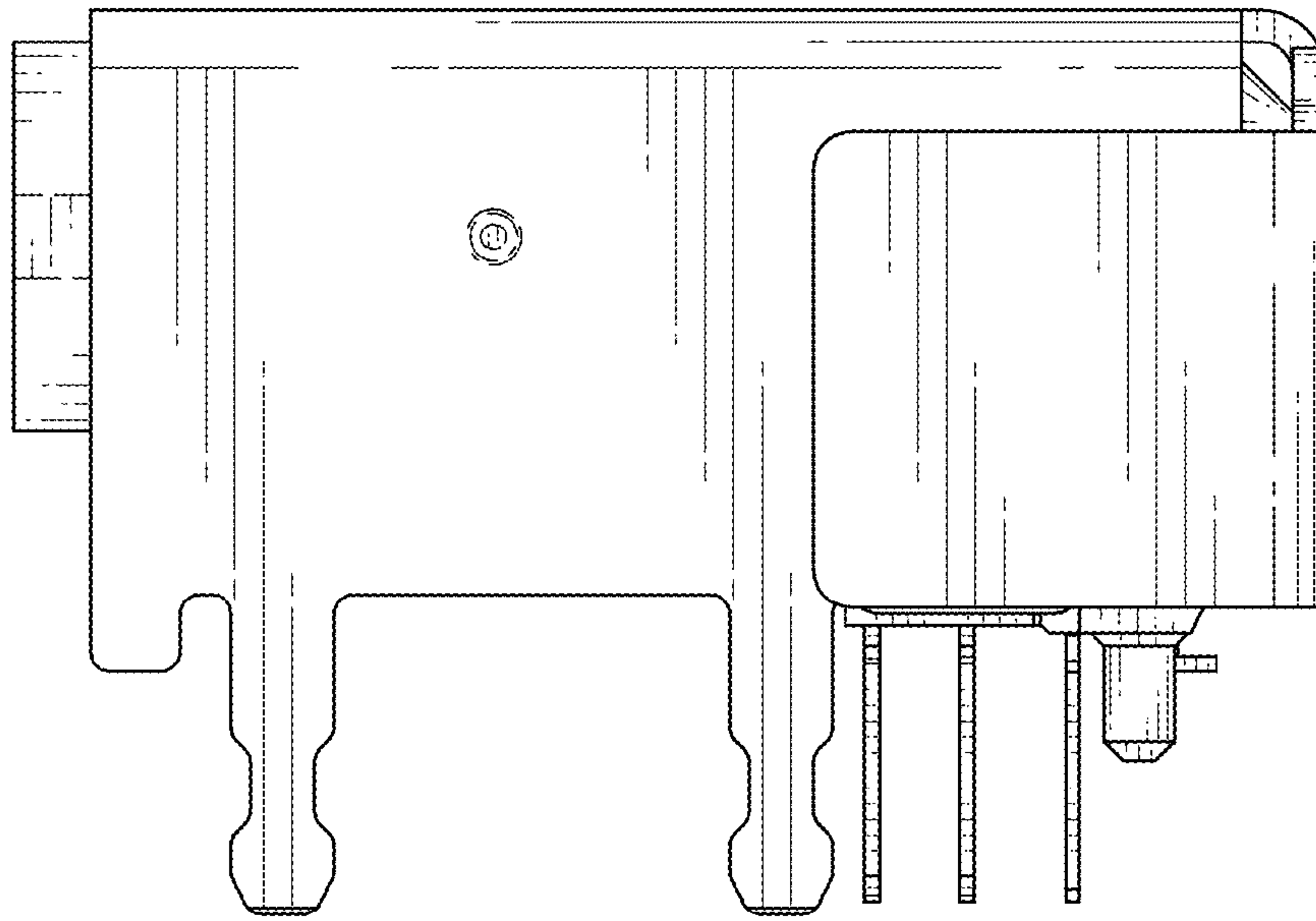


FIG. 13

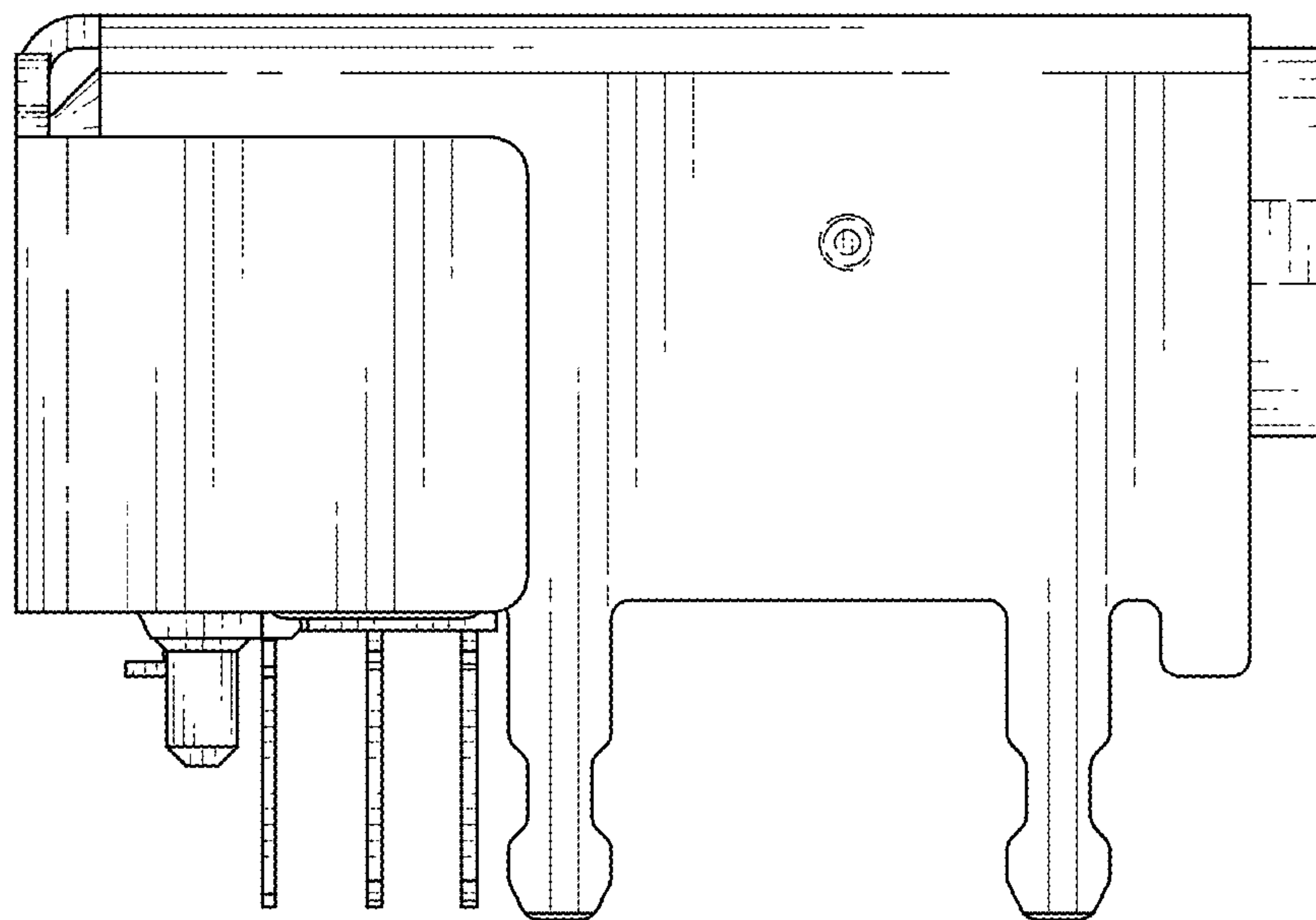


FIG. 14

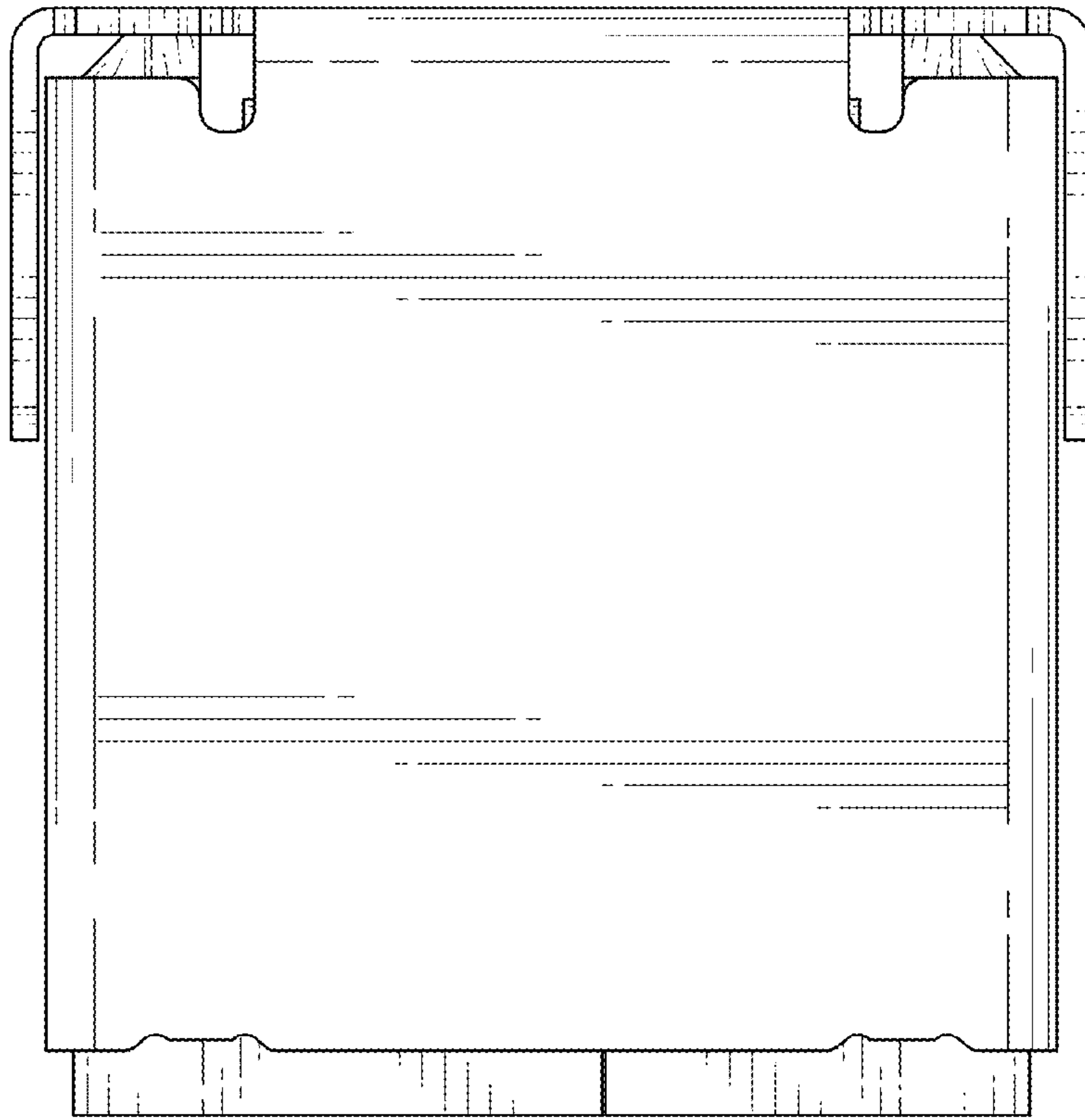


FIG. 15

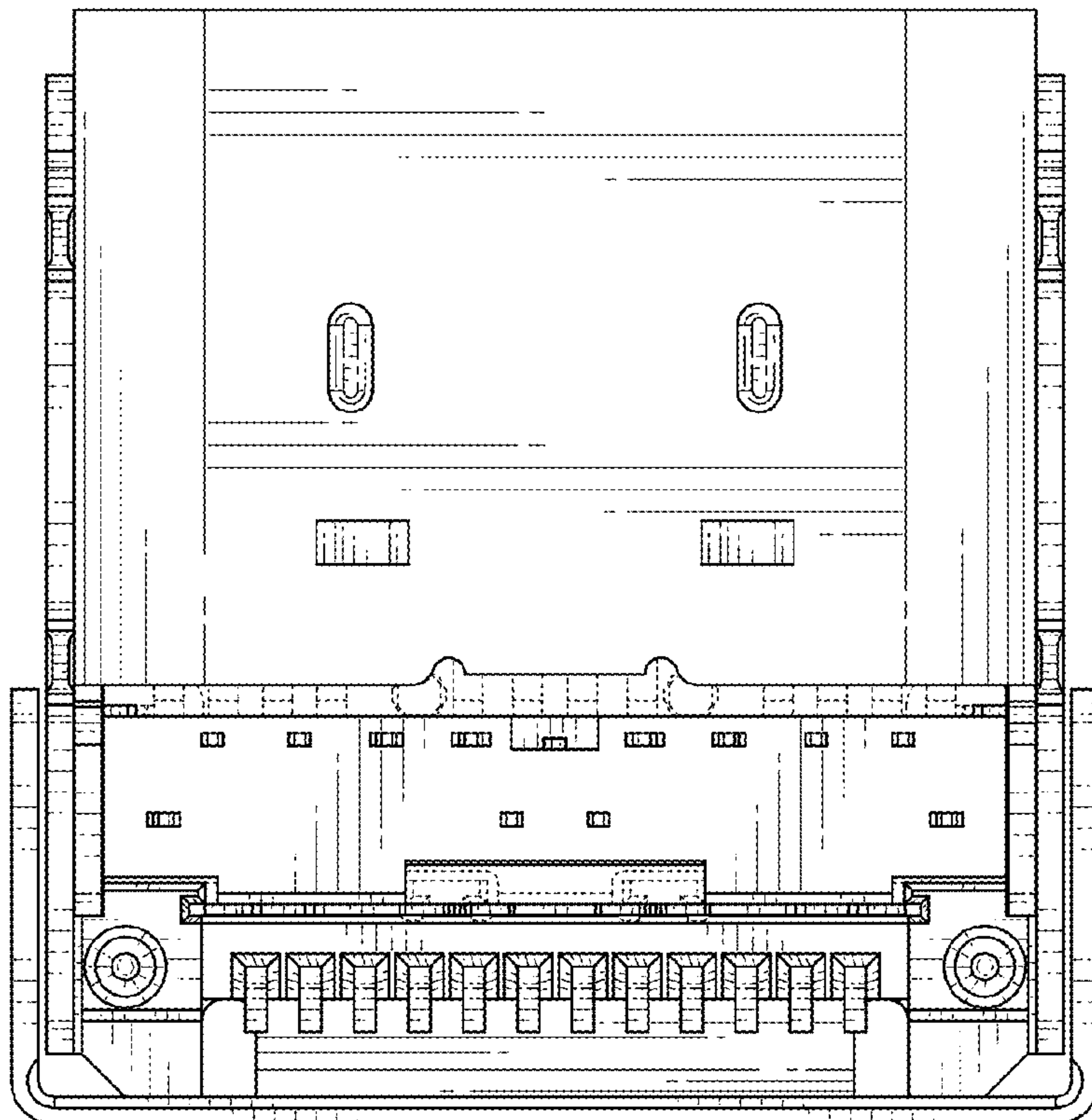


FIG. 16

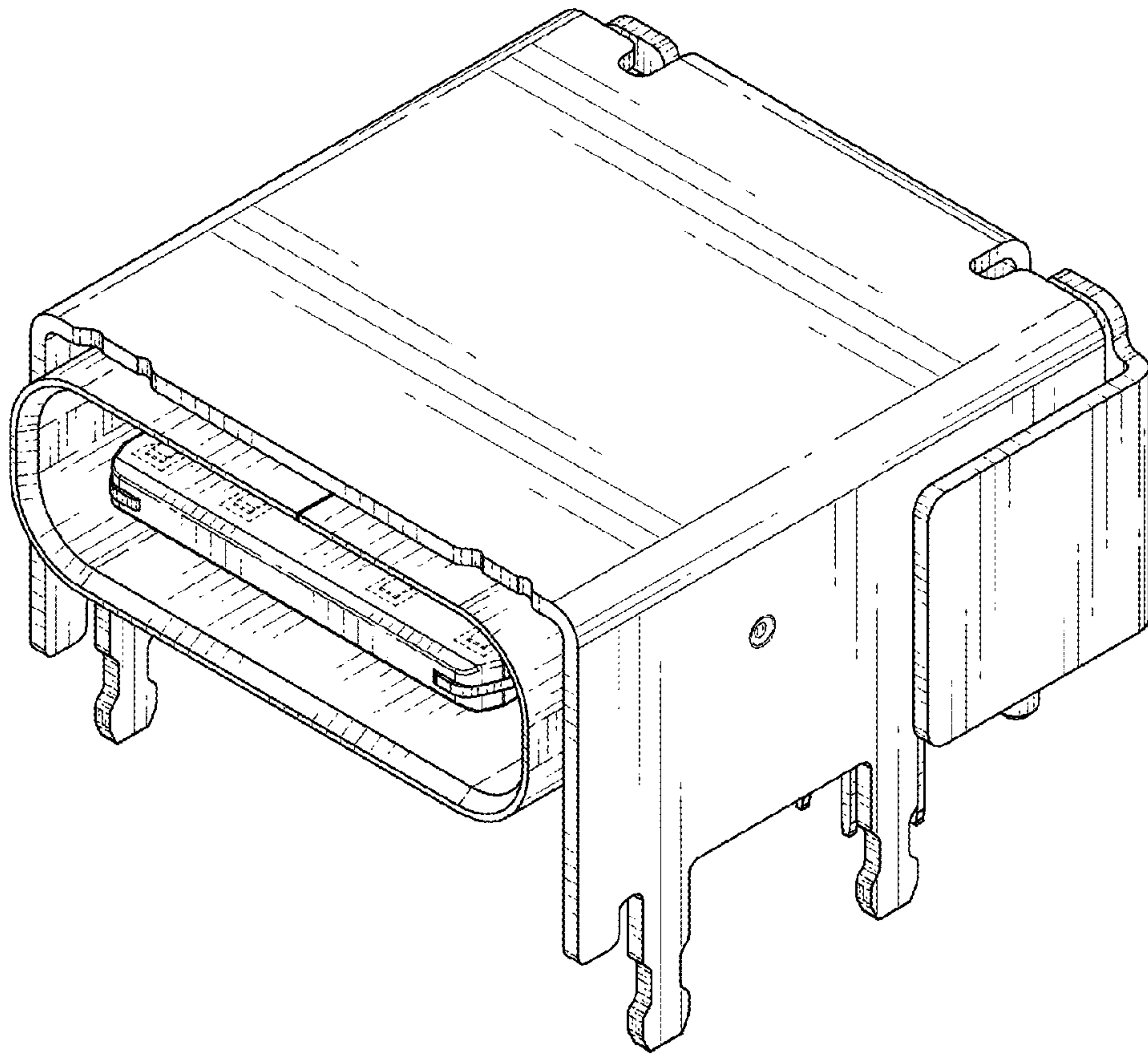


FIG. 17

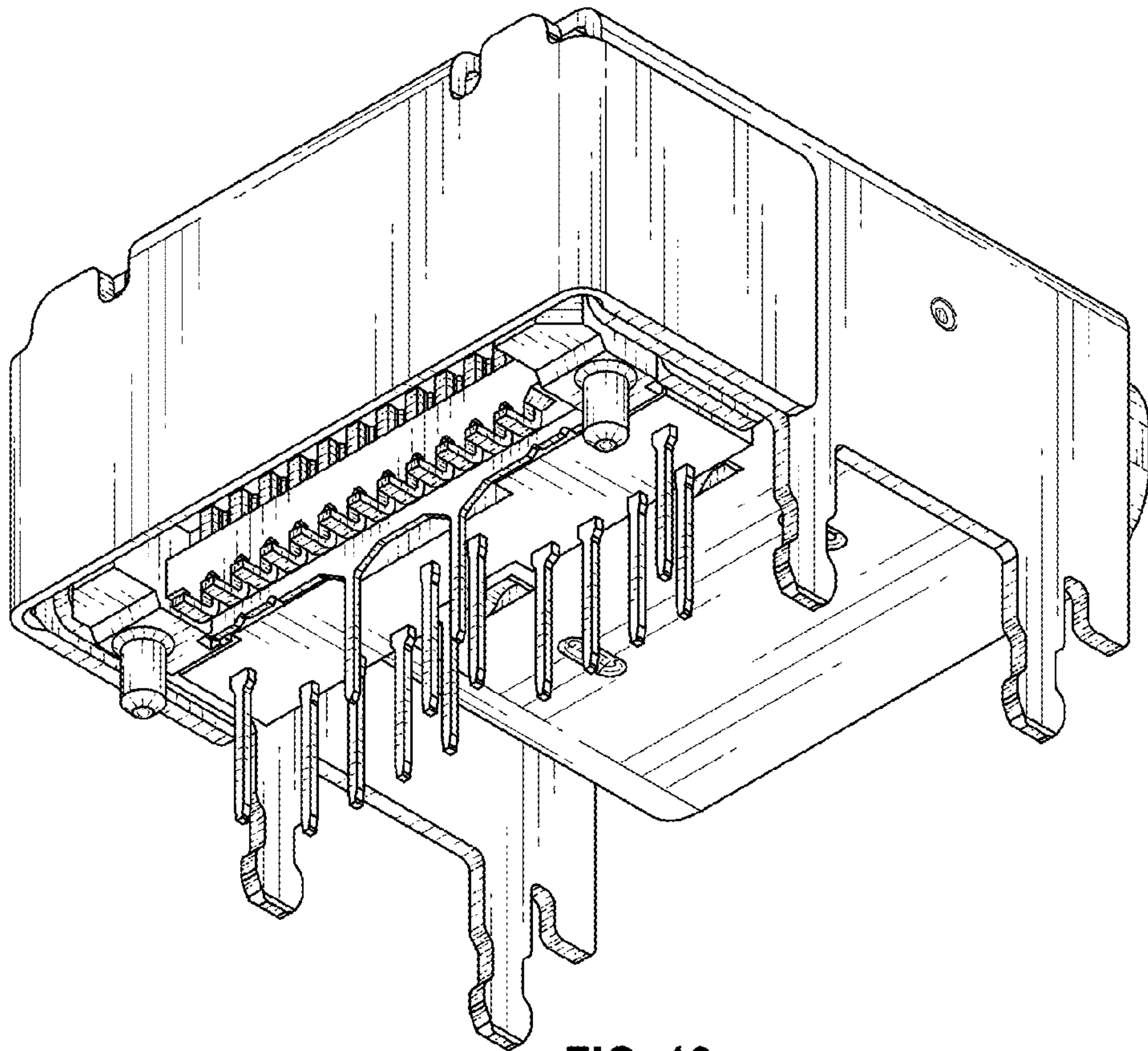


FIG. 18

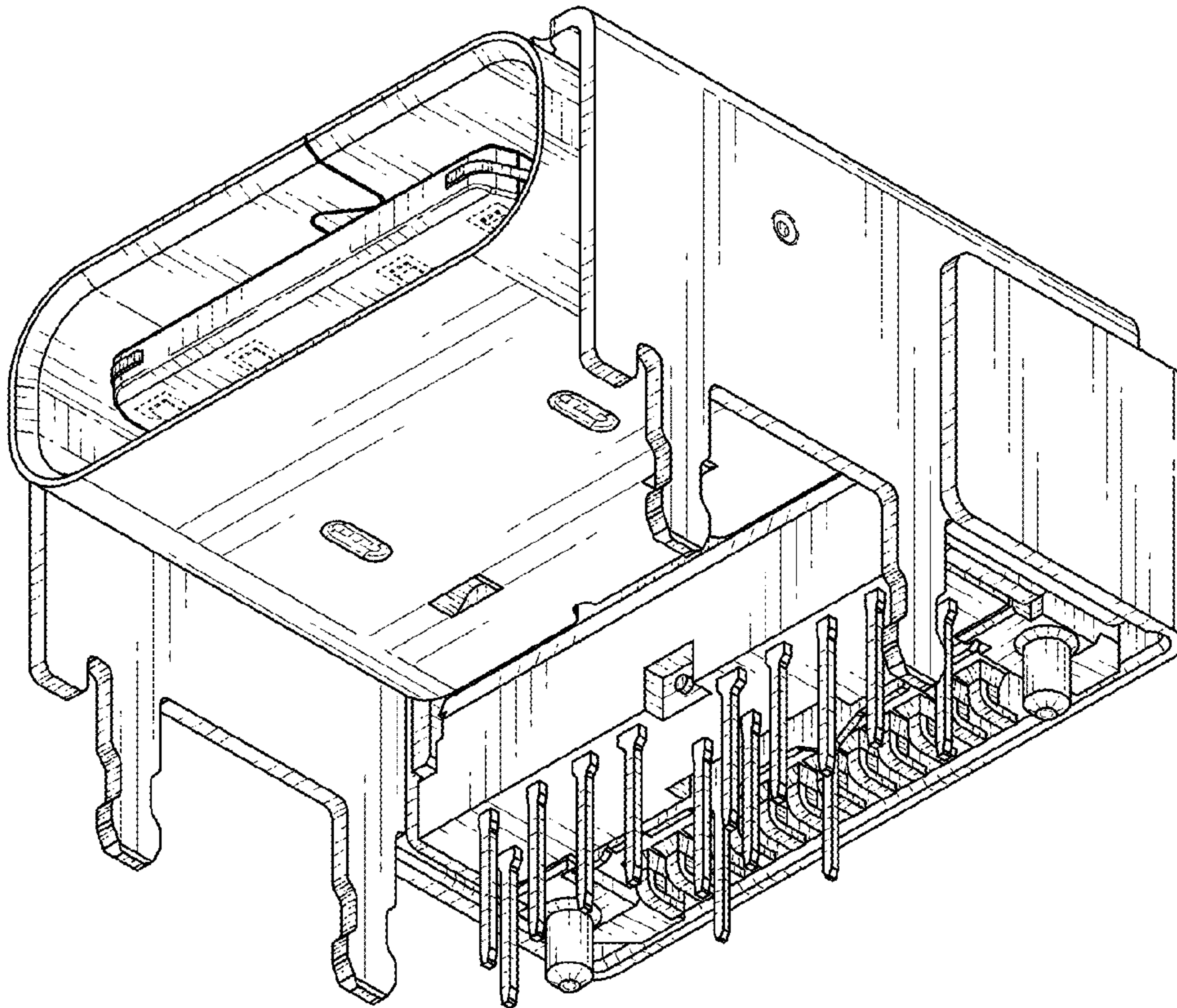


FIG. 19

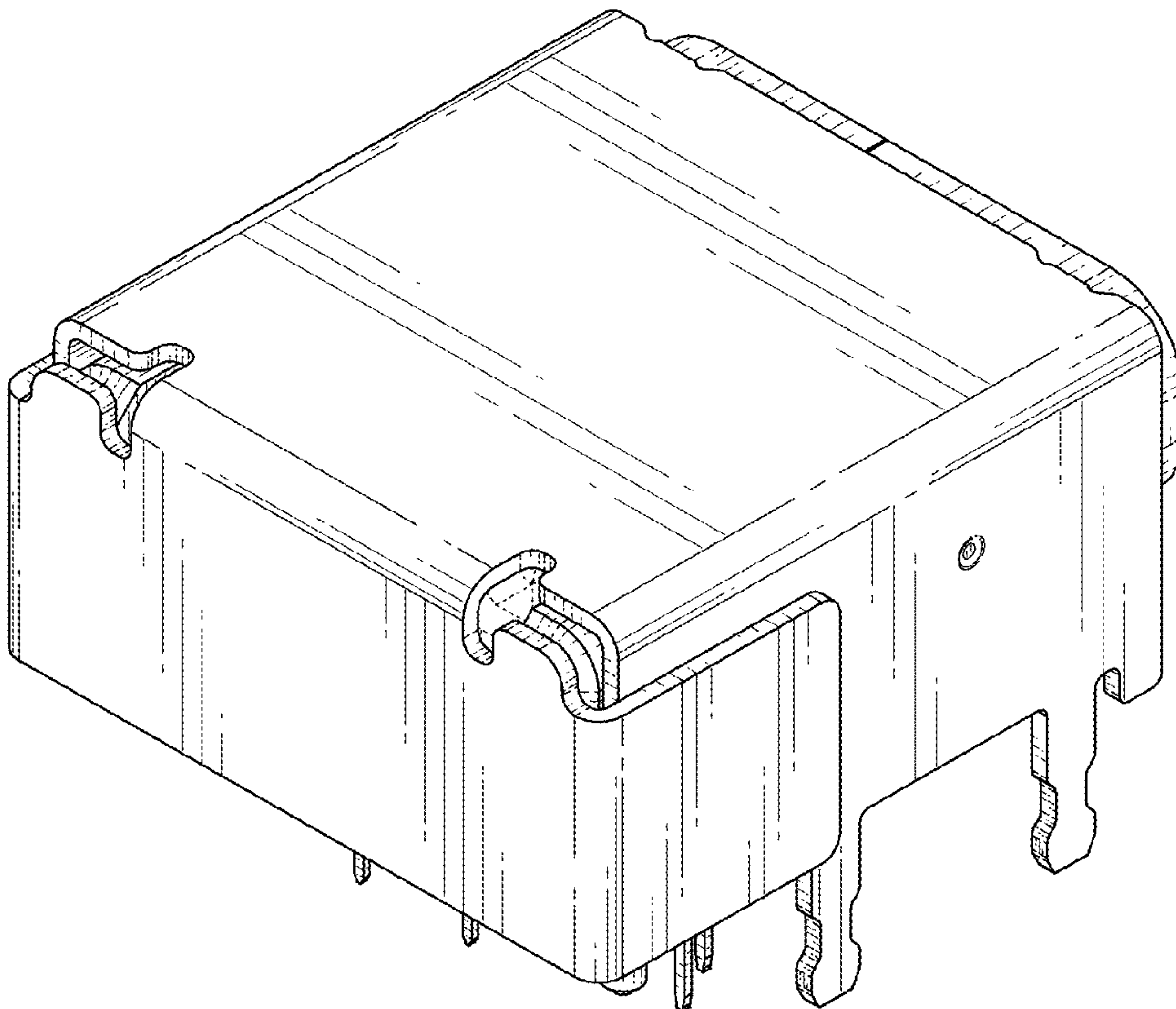


FIG. 20