



US00D924157S

(12) **United States Design Patent**
Kaplan et al.

(10) **Patent No.:** **US D924,157 S**

(45) **Date of Patent:** **** Jul. 6, 2021**

(54) **MONITOR CONNECTOR**

(71) Applicant: **Cheetah Medical (Israel) Ltd.**,
Tel-Aviv (IL)

(72) Inventors: **Yochay Kaplan**, RaAnana (IL); **Baruch Levy**, Lehavim (IL); **Eliezer Schusman**, RaAnana (IL); **Mordechai Dinour**, Karney Shomron (IL)

(73) Assignees: **Baxter International Inc.**, Deerfield, IL (US); **Baxter Healthcare SA**, Glattpark (Opfikon) (CH)

(**) Term: **15 Years**

(21) Appl. No.: **29/722,333**

(22) Filed: **Jan. 29, 2020**

(51) **LOC (13) Cl.** **13-03**

(52) **U.S. Cl.**
USPC **D13/146**

(58) **Field of Classification Search**
USPC D13/107, 118-120, 123, 133, 146-149, D13/151, 154, 156, 173, 184, 199
CPC . H01R 4/24; H01R 4/60; H01R 13/00; H01R 13/40; H01R 13/422; H01R 13/52; H01R 13/62; H01R 13/627; H01R 13/648; H01R 4/28; H01R 11/30; H01R 13/04; H01R 13/11; H01R 13/46; H01R 13/635; H01R 24/38

See application file for complete search history.

(56) **References Cited**

U.S. PATENT DOCUMENTS

D406,260 S * 3/1999 Wardenburg D13/137.1
D472,523 S * 4/2003 Hansen D13/146

D577,678 S * 9/2008 Ball D13/133
D580,360 S * 11/2008 Vitito D13/146
D644,610 S * 9/2011 Marroquin D13/147
D676,388 S * 2/2013 Muller D13/147
D698,730 S * 2/2014 Hori D13/146
8,951,248 B2 * 2/2015 Messerly A61B 18/1233
606/34
D730,297 S * 5/2015 Price D13/147
D746,777 S * 1/2016 Laven D13/146
D816,040 S * 4/2018 Corona D13/146
D839,194 S * 1/2019 Wardenburg D13/133
2014/0148062 A1 * 5/2014 Mott H01R 4/28
439/660

* cited by examiner

Primary Examiner — Shawn T Gingrich

(74) *Attorney, Agent, or Firm* — Matthew S. Dicke;
Kevin T. McCormick; K&L Gates LLP

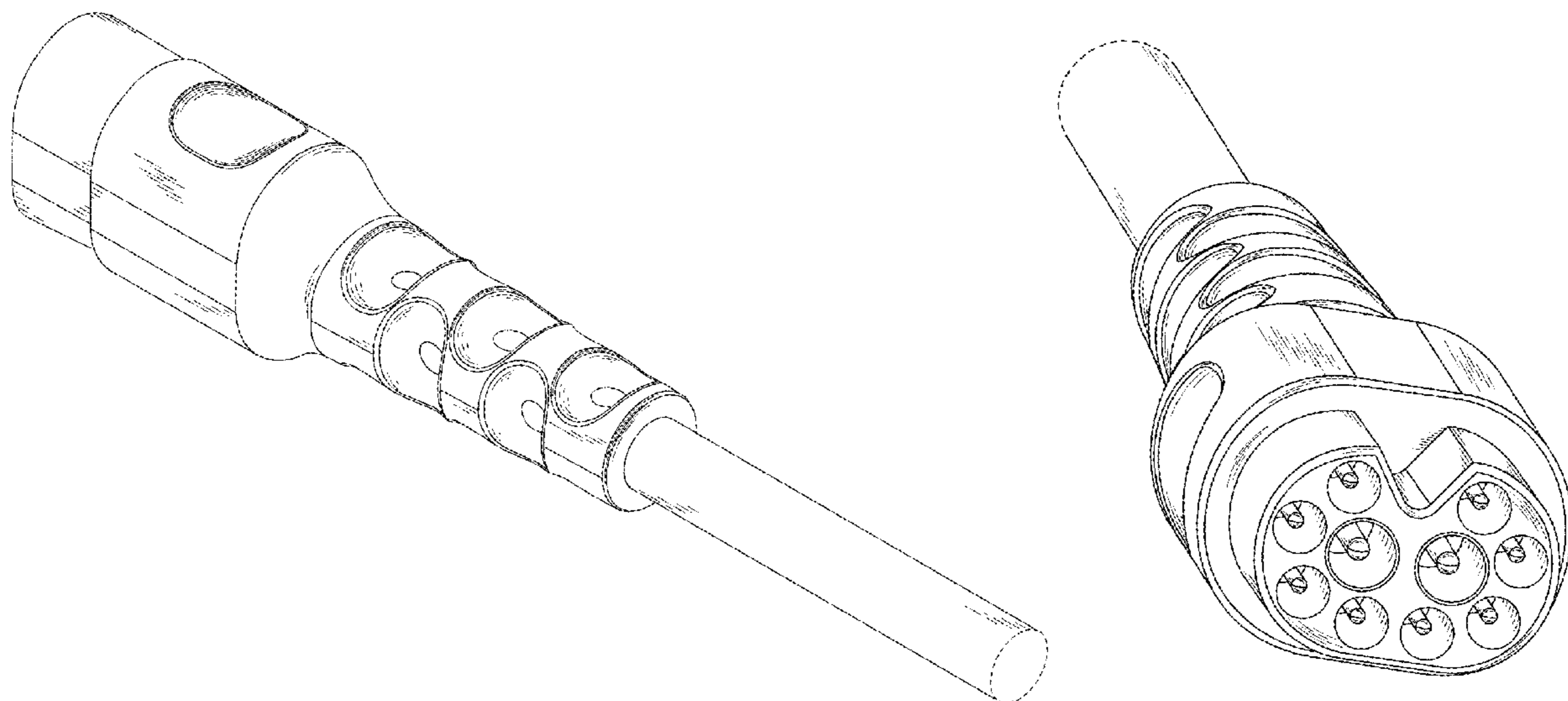
(57) **CLAIM**

The ornamental design for a monitor connector, as shown and described.

DESCRIPTION

FIG. 1 is an elevated top perspective view of a monitor connector, showing our new design;
FIG. 2 is a top view thereof;
FIG. 3 is a front view thereof;
FIG. 4 is a right side view thereof;
FIG. 5 is a rear view thereof;
FIG. 6 is a left side view thereof;
FIG. 7 is a bottom view thereof; and,
FIG. 8 is a front perspective view thereof.
Broken lines in the drawings denote features of the article that are included for the purpose of illustrating unclaimed subject matter and forms no part of the claimed design.

1 Claim, 8 Drawing Sheets



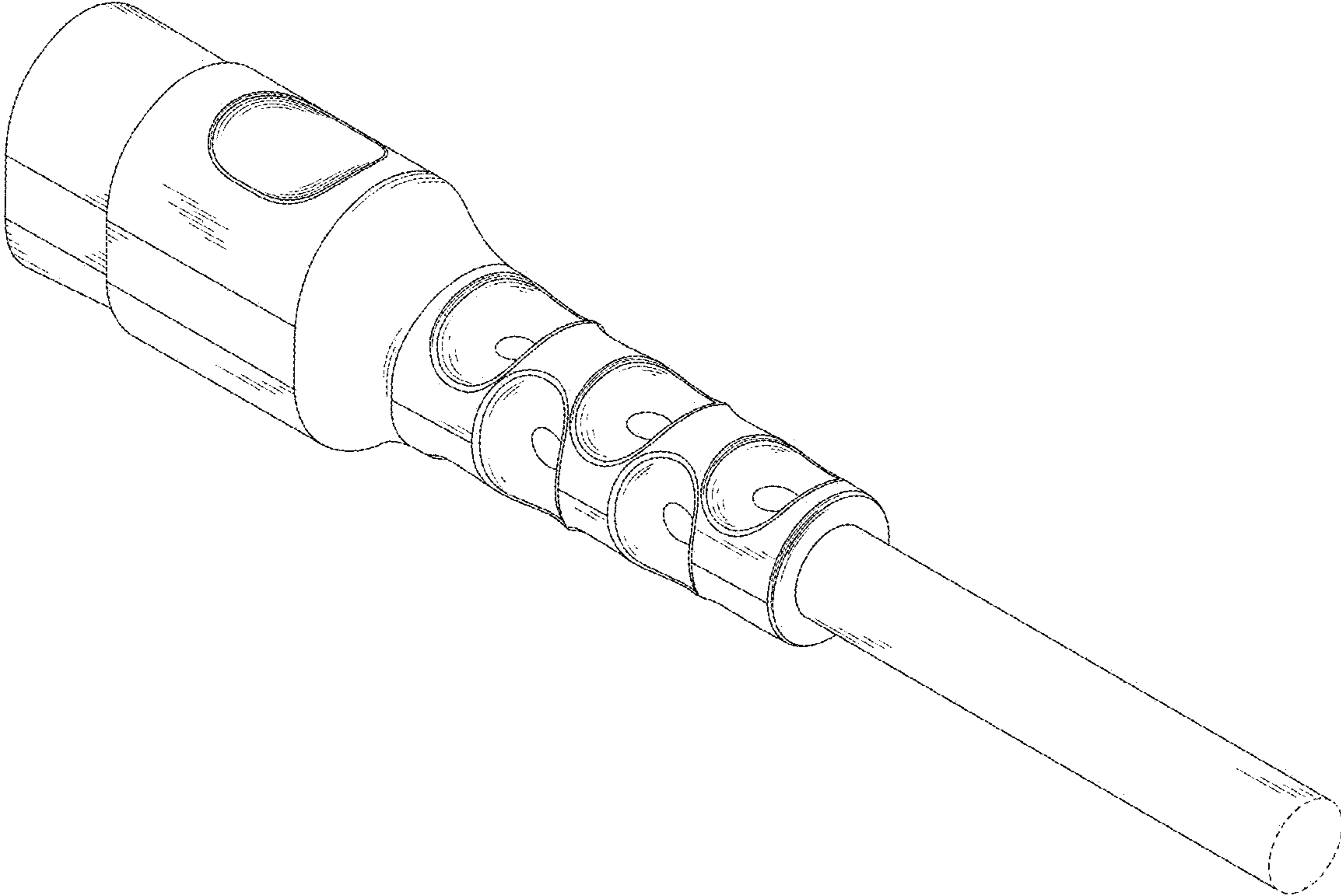


FIG. 1

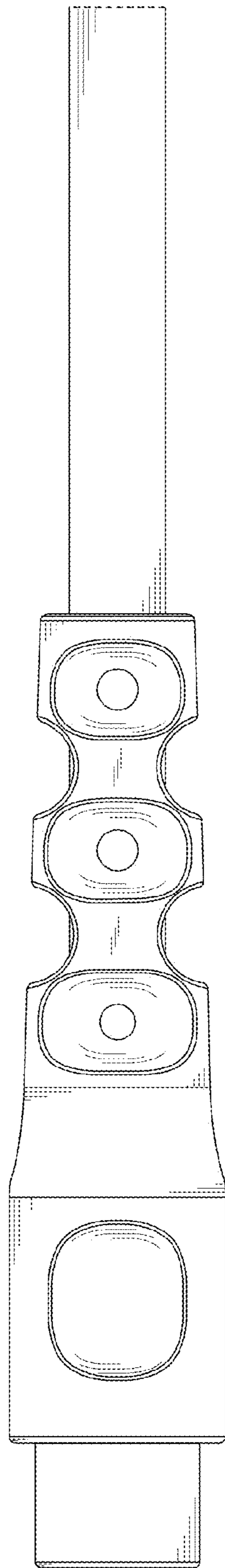


FIG. 2

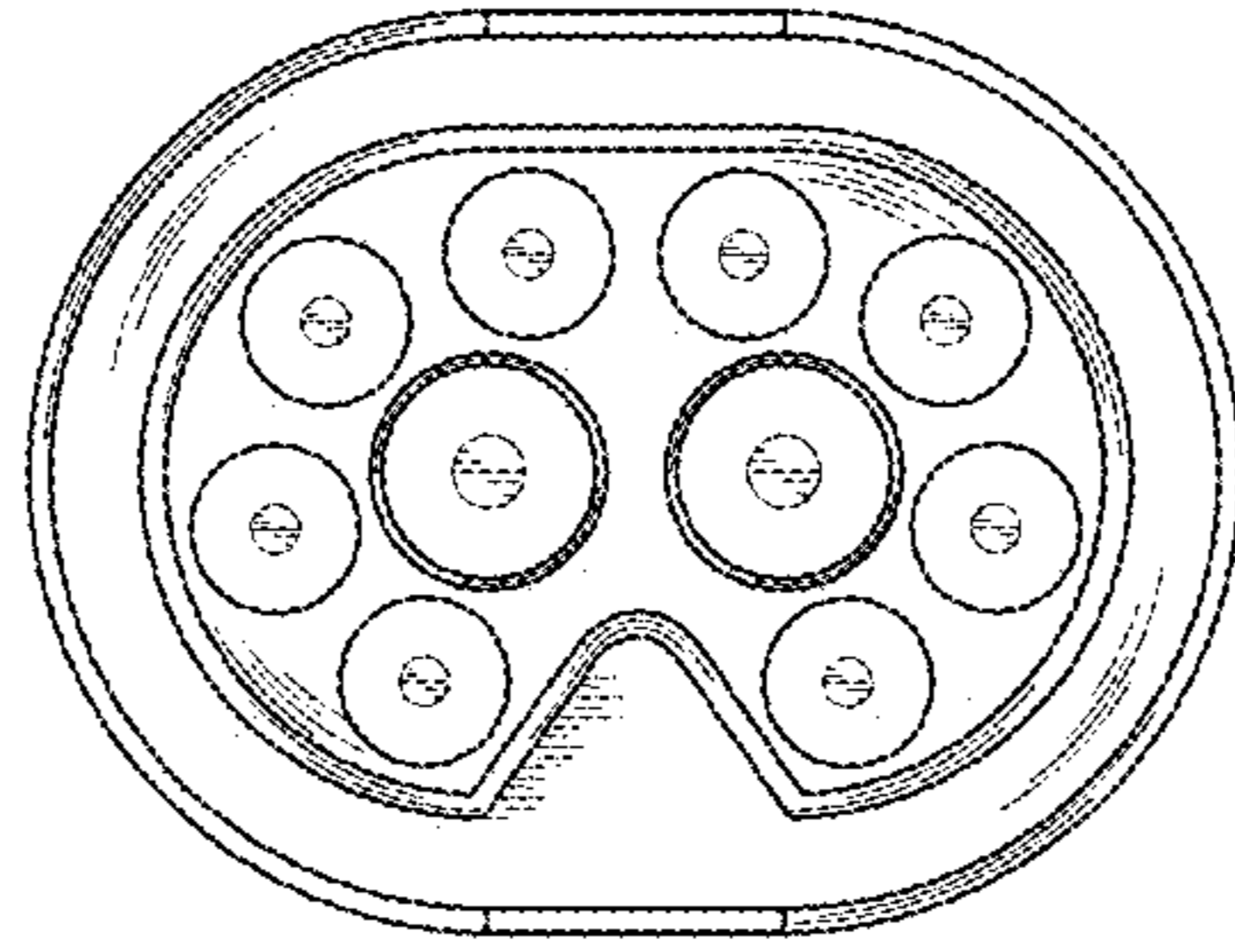


FIG. 3

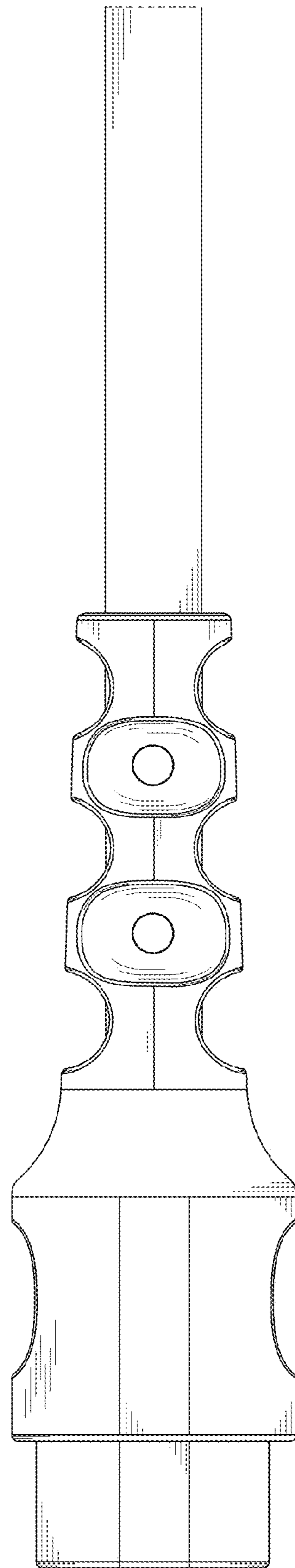


FIG. 4

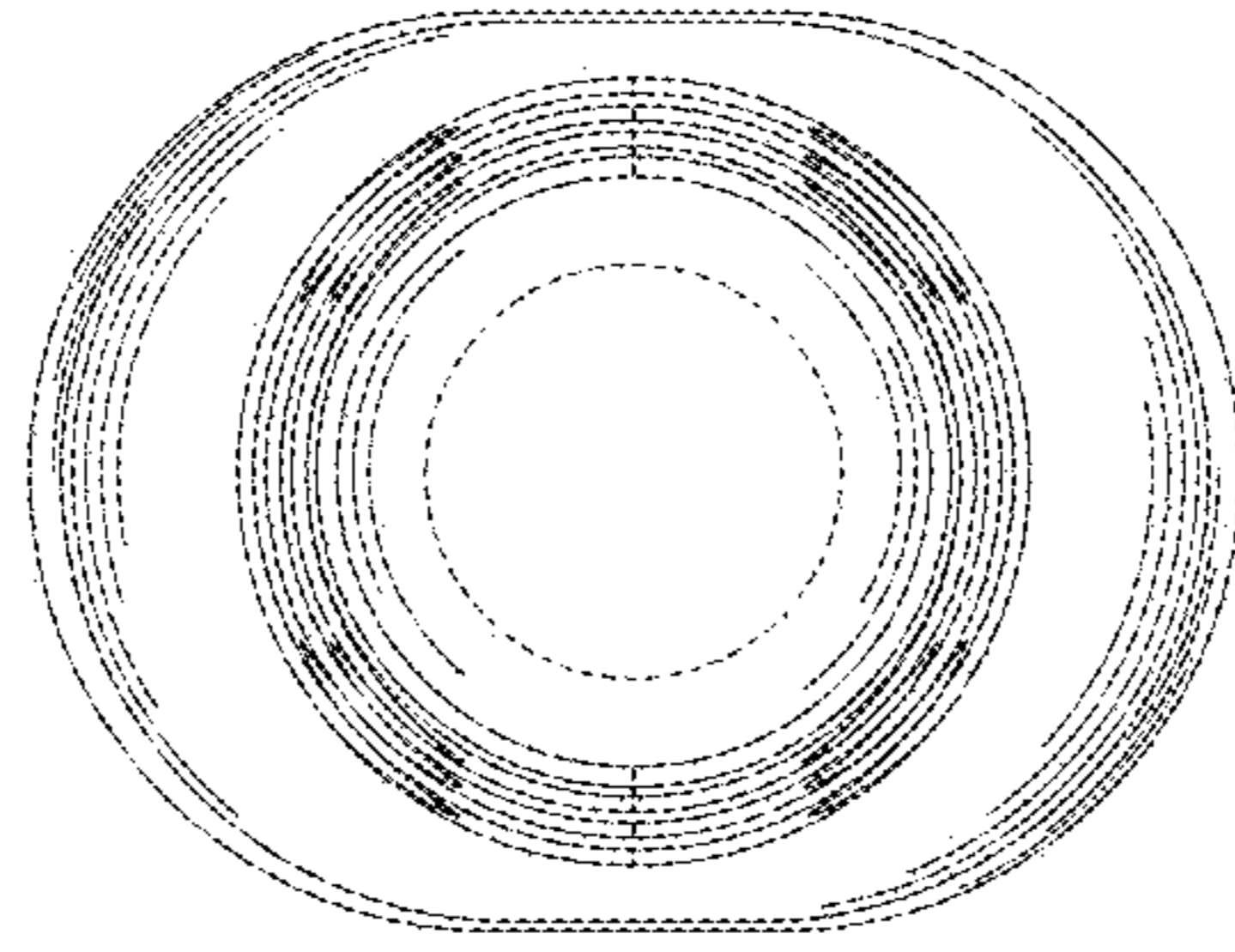


FIG. 5

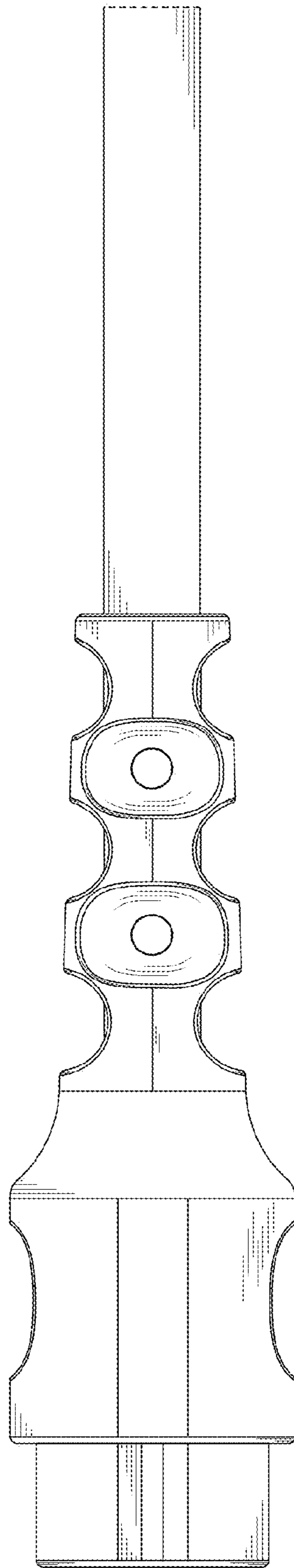


FIG. 6

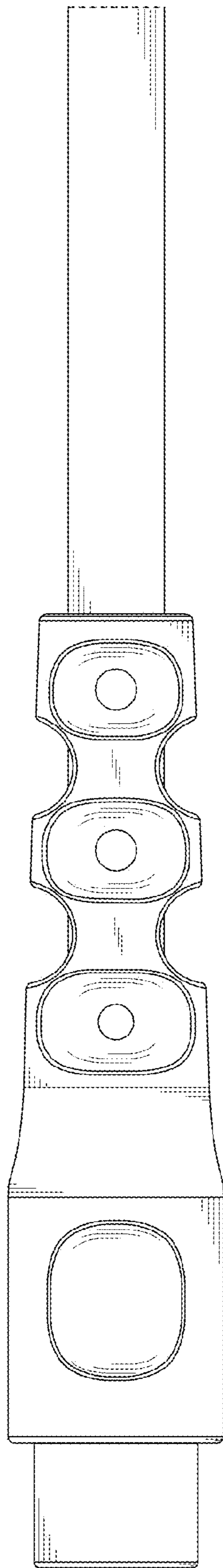


FIG. 7

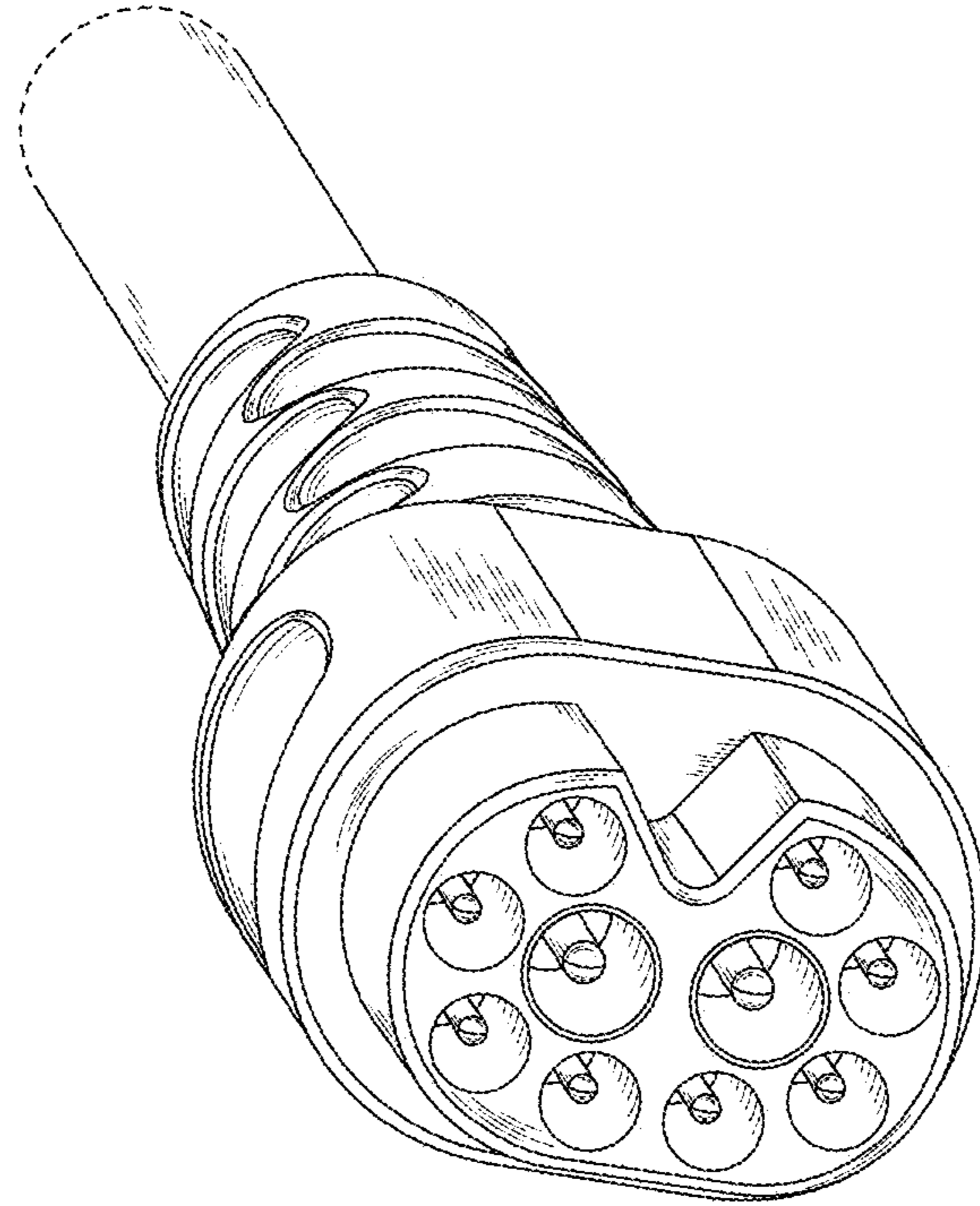


FIG. 8