



US00D924156S

(12) **United States Design Patent** (10) **Patent No.:** **US D924,156 S**
Wilkolaski et al. (45) **Date of Patent:** **** Jul. 6, 2021**

(54) **ELECTRICAL CONNECTOR**

(71) Applicant: **CURBELL MEDICAL PRODUCTS, INC.**, Orchard Park, NY (US)

(72) Inventors: **Edward Wilkolaski**, Orchard Park, NY (US); **Donald Enzina**, Orchard Park, NY (US); **Tim Wu**, Union, NJ (US); **Garrett DeVito**, Union, NJ (US)

(73) Assignee: **CURBELL MEDICAL PRODUCTS, INC.**, Orchard Park, NY (US)

(**) Term: **15 Years**

(21) Appl. No.: **29/626,655**

(22) Filed: **Nov. 17, 2017**

(51) **LOC (13) Cl.** **13-03**

(52) **U.S. Cl.**
USPC **D13/146**

(58) **Field of Classification Search**
USPC D13/118, 123, 133, 137.1–139.8,
D13/145–147, 154, 173, 177, 184, 199
CPC H01R 13/52; H01R 13/62; H01R 13/627;
H01R 13/631; H01R 13/64; H01R 13/66;
H01R 24/00; H01R 24/28
See application file for complete search history.

(56) **References Cited**

U.S. PATENT DOCUMENTS

D430,110	S	*	8/2000	Arai	D13/147
D453,736	S	*	2/2002	Shimojyo	D13/147
D521,933	S	*	5/2006	Wade	D13/147
D535,947	S	*	1/2007	Suckle	D13/138.2
D601,092	S	*	9/2009	Rupp	D13/147
D601,504	S	*	10/2009	Rupp	D13/147
D606,944	S	*	12/2009	Mehnert	D13/133
D614,138	S	*	4/2010	Blixt	D13/147
D616,826	S	*	6/2010	Ebihara	D13/147
D660,236	S	*	5/2012	Liang-Hsu	D13/139.1
D676,388	S	*	2/2013	Muller	D13/147

D734,264	S	*	7/2015	Jordan	D13/133
D769,194	S	*	10/2016	Greig	D13/147
2011/0207360	A1	*	8/2011	Jordan	H01R 13/65912 439/350

(Continued)

Primary Examiner — Shawn T Gingrich

(74) *Attorney, Agent, or Firm* — Hodgson Russ LLP

(57) **CLAIM**

The ornamental design for an electrical connector, as shown and described.

DESCRIPTION

FIG. 1 is a perspective view of a first embodiment of an electrical connector showing our new design with the male connector coupled to the female connector;

FIG. 2 is a perspective view of the male connector thereof, the female connector being omitted for ease of illustration;

FIG. 3 is a front elevation view thereof;

FIG. 4 is a rear elevation view thereof;

FIG. 5 is a right side elevation view thereof;

FIG. 6 is a left side elevation view thereof;

FIG. 7 is a top plan view thereof;

FIG. 8 is a bottom plan view thereof;

FIG. 9 is a front-top perspective view of the female connector thereof, the male connector being omitted for ease of illustration;

FIG. 10 is a front-bottom perspective view thereof;

FIG. 11 is a front elevation view thereof;

FIG. 12 is a rear elevation view thereof;

FIG. 13 is a right side elevation view thereof;

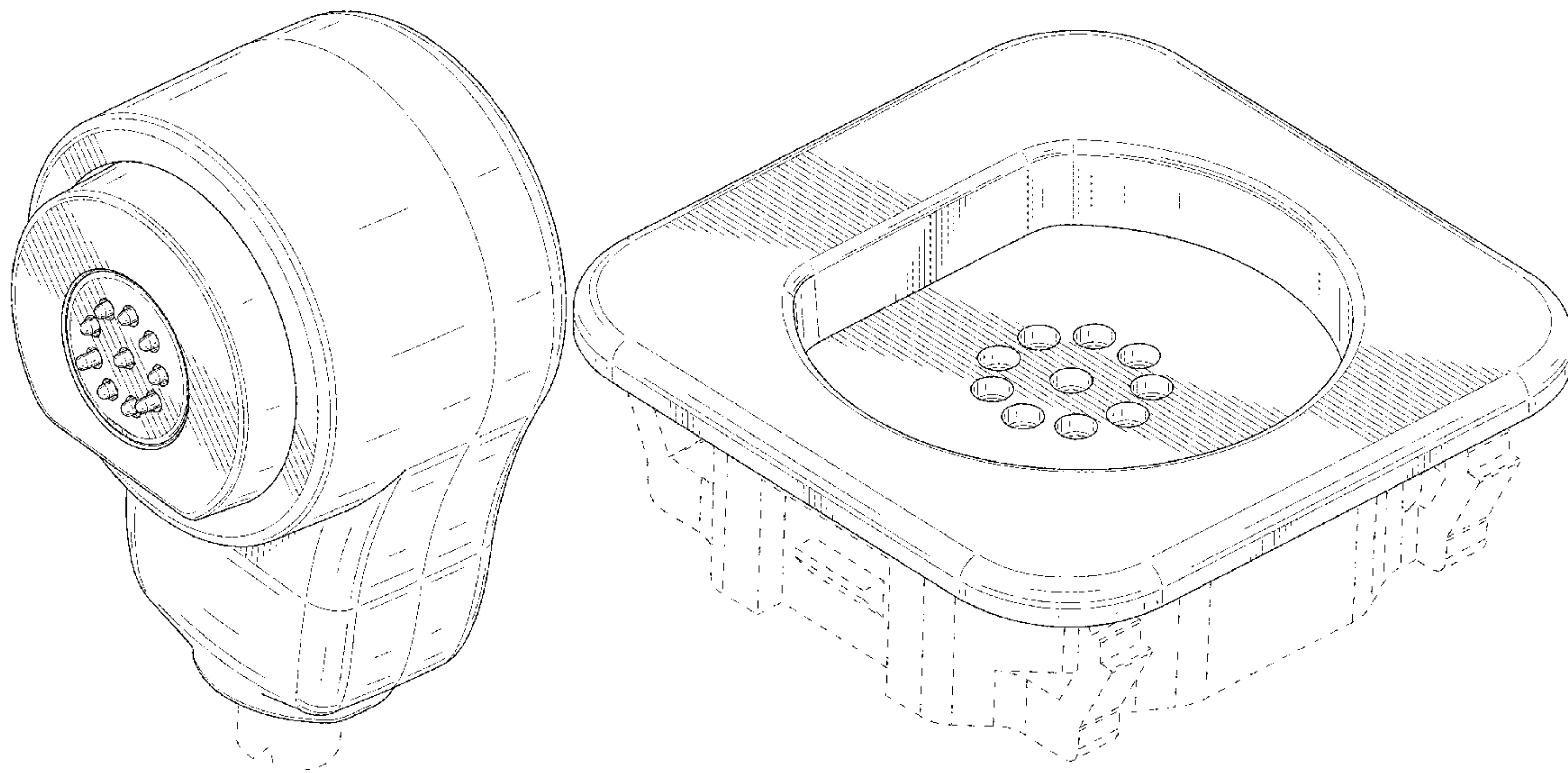
FIG. 14 is a left side elevation view thereof;

FIG. 15 is a top plan view thereof; and,

FIG. 16 is a bottom plan view thereof.

The short dash-short dash lines illustrate portions of the electrical connector that form no part of the claim. The long dash-short dash lines in the figures represent the unclaimed boundary of the design.

1 Claim, 13 Drawing Sheets



(56)

References Cited

U.S. PATENT DOCUMENTS

2015/0111408 A1* 4/2015 Sasaki B60L 53/16
439/357
2016/0118744 A1* 4/2016 Wittrock H01R 13/5227
439/191
2017/0373447 A1* 12/2017 Schreiber H01R 13/631
2020/0287323 A1* 9/2020 Lee H01R 13/64
2020/0381876 A1* 12/2020 Schreiber H01R 24/20

* cited by examiner

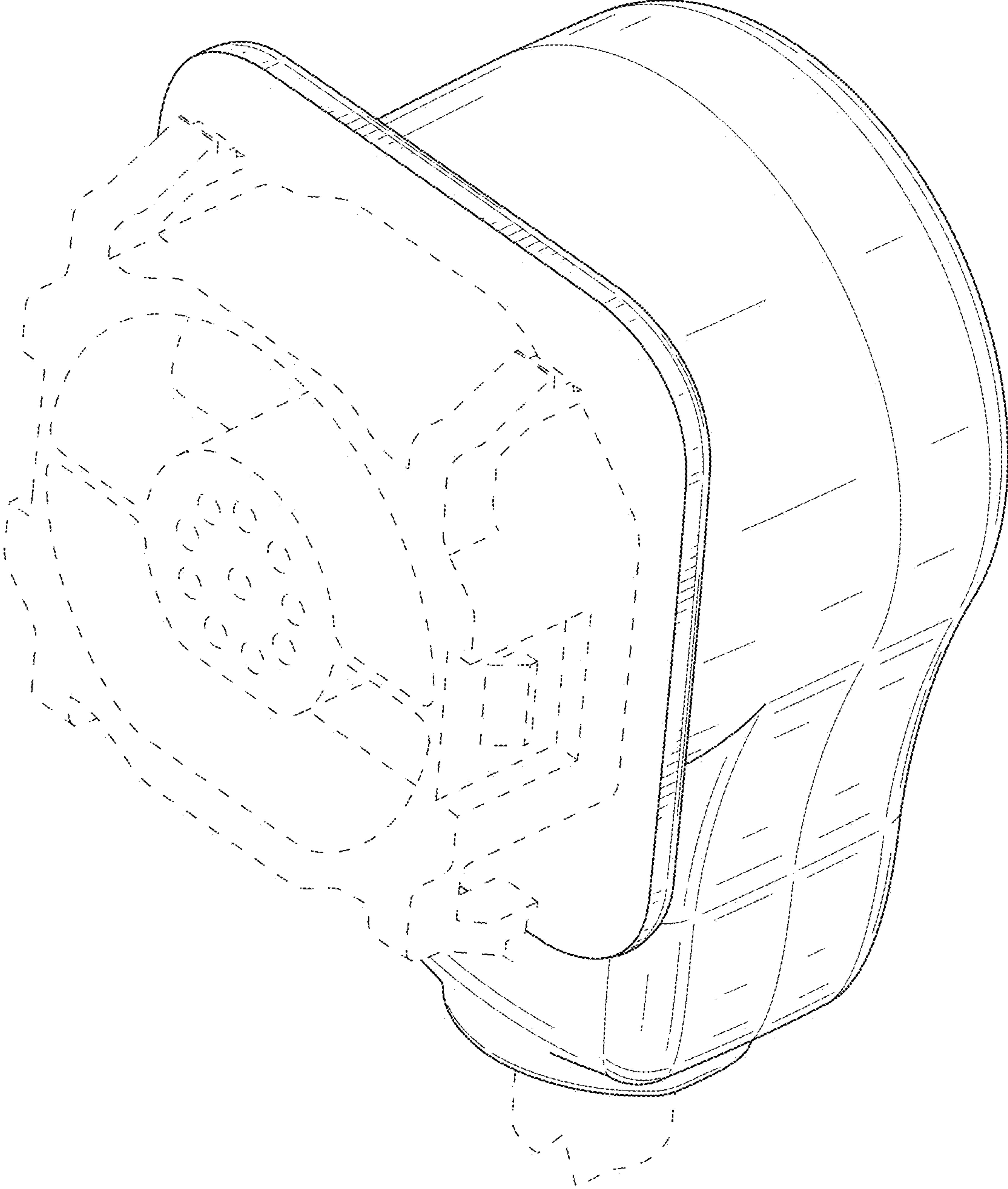


FIG. 1

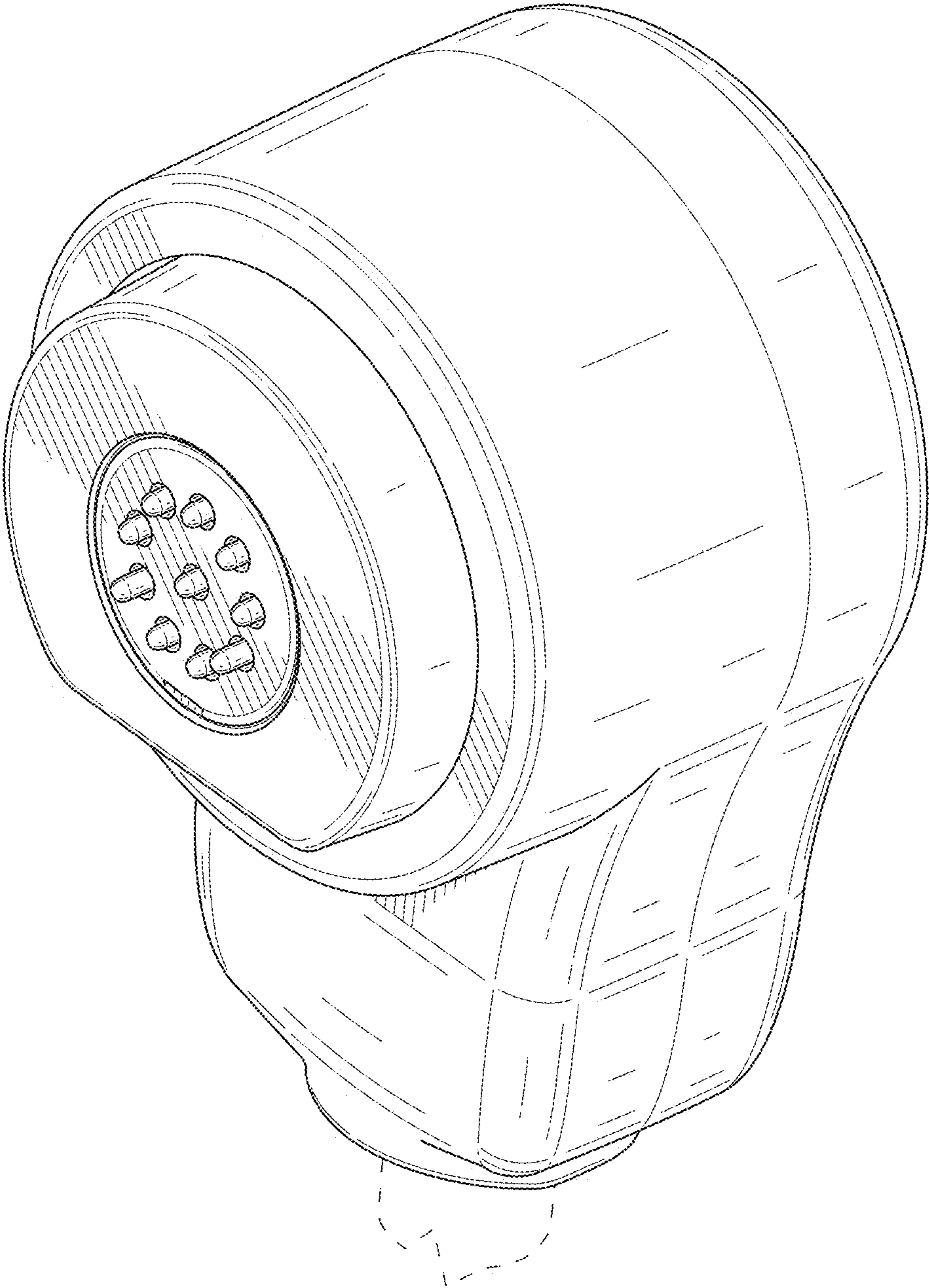


FIG. 2

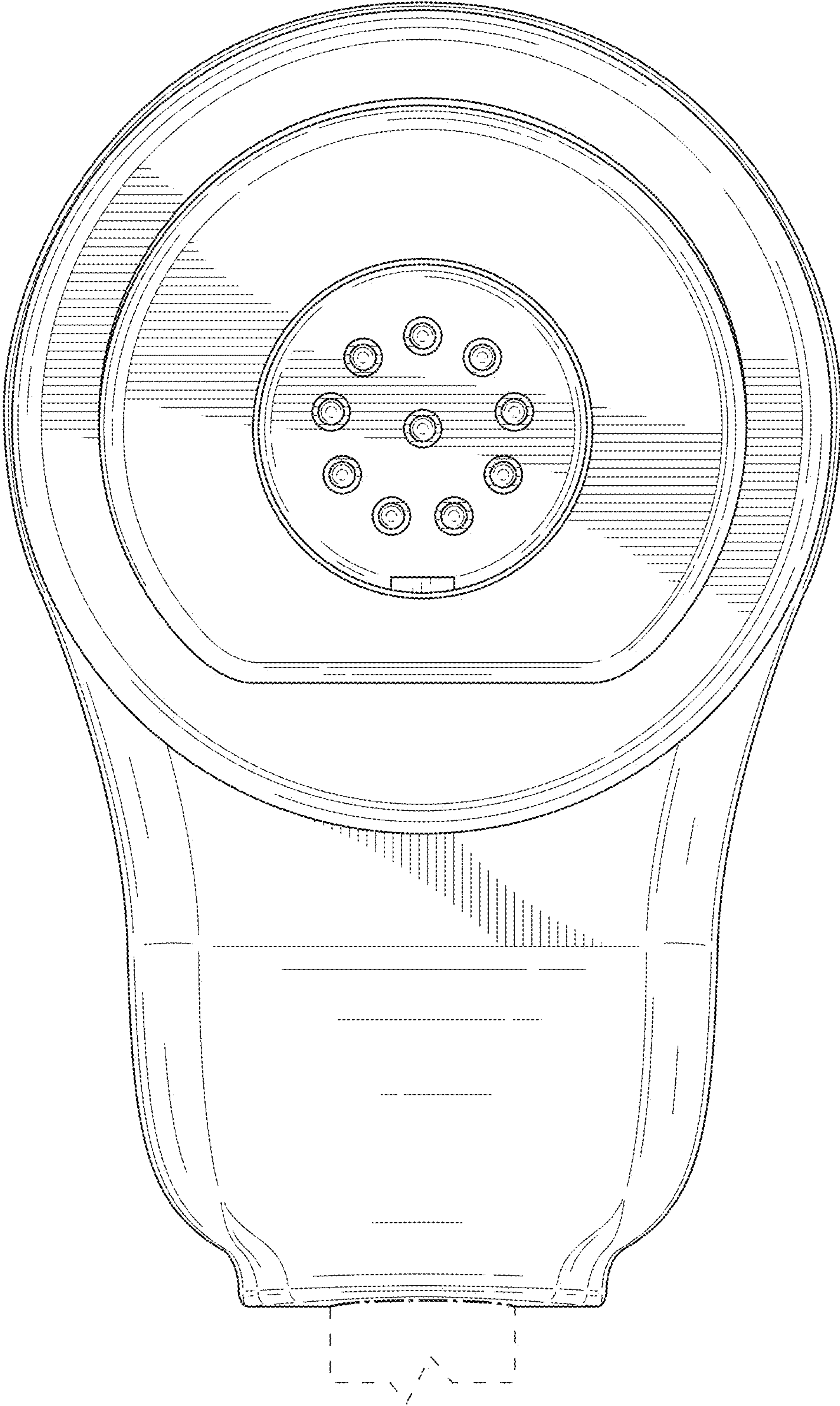


FIG. 3

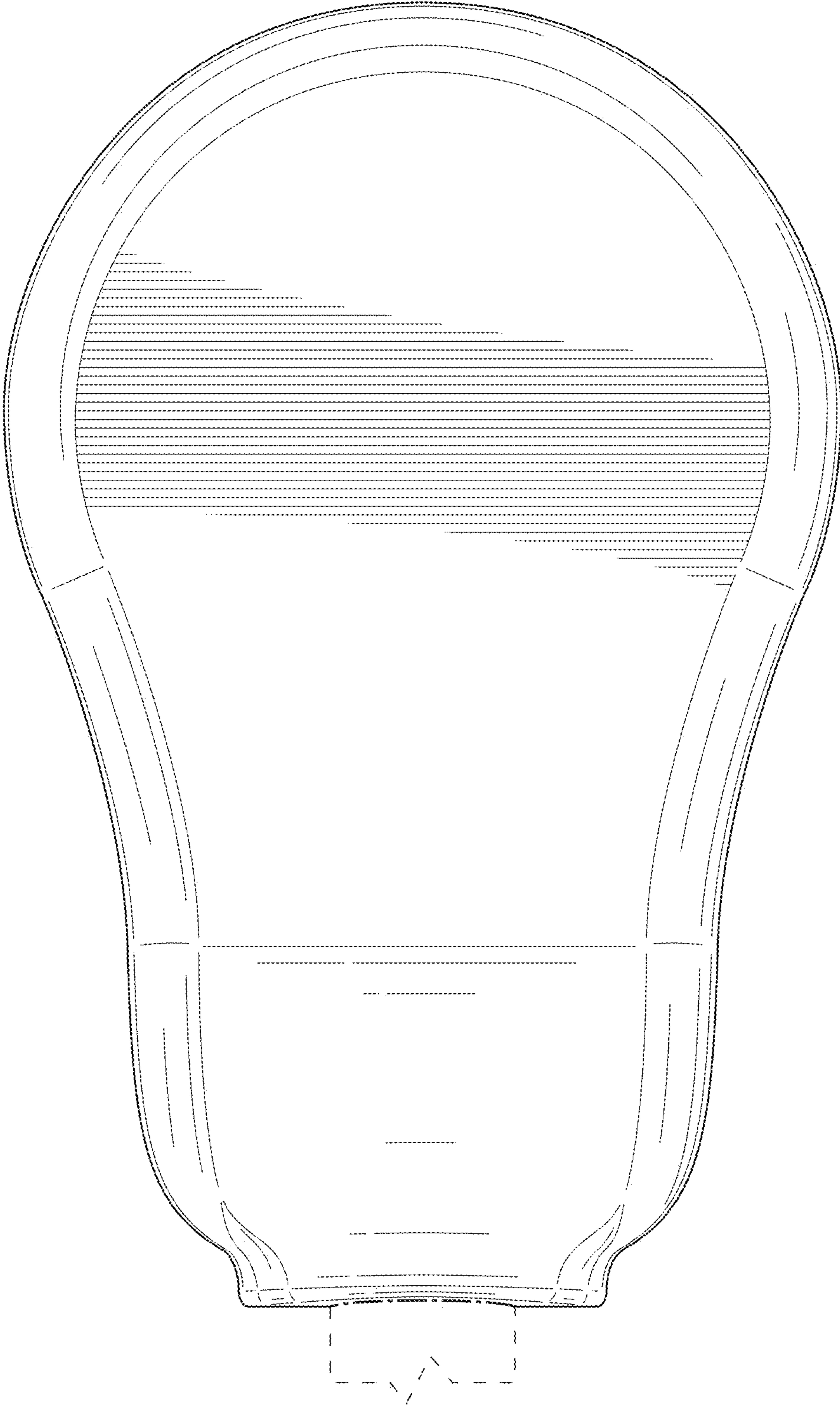


FIG. 4

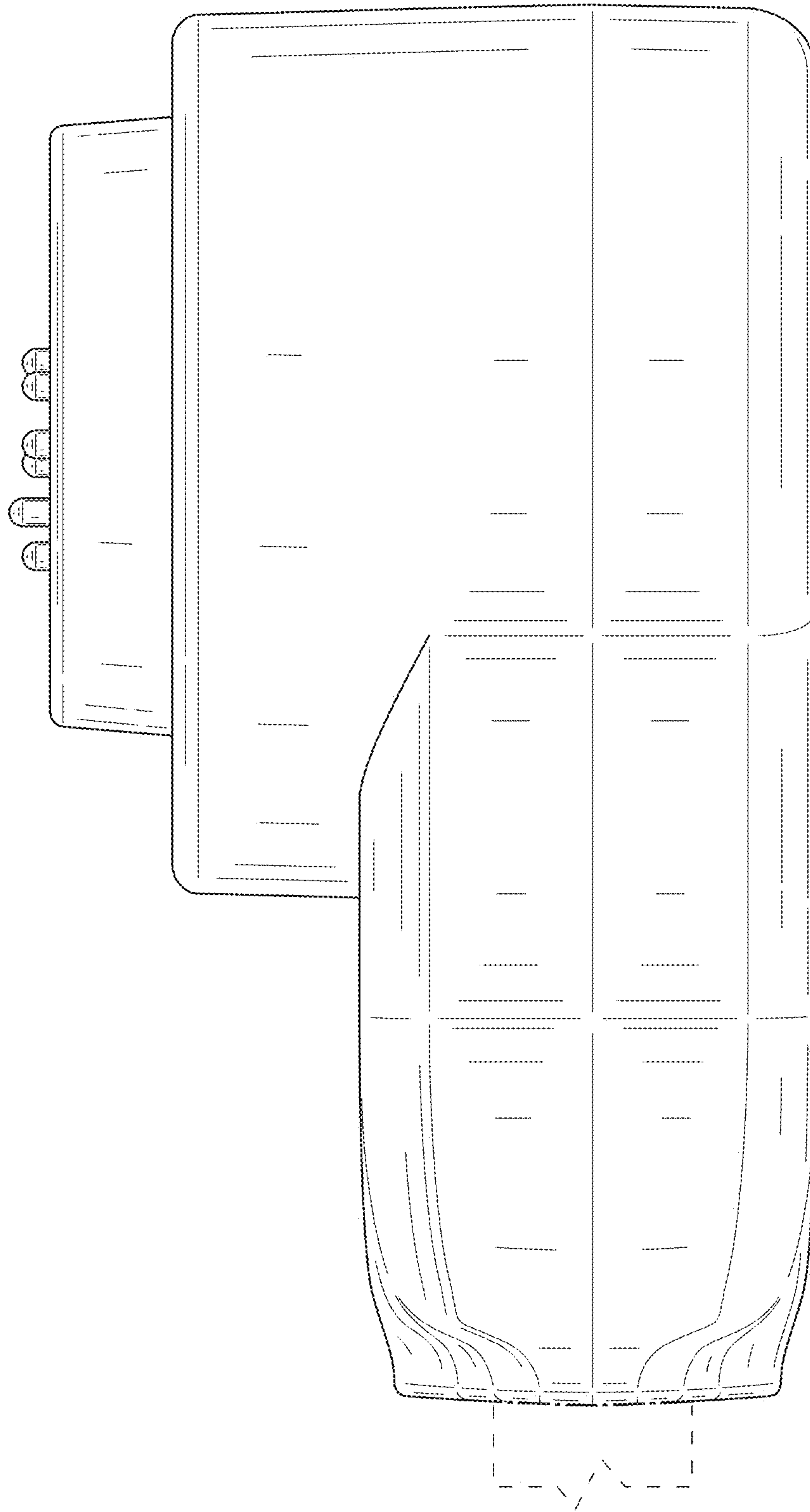


FIG. 5

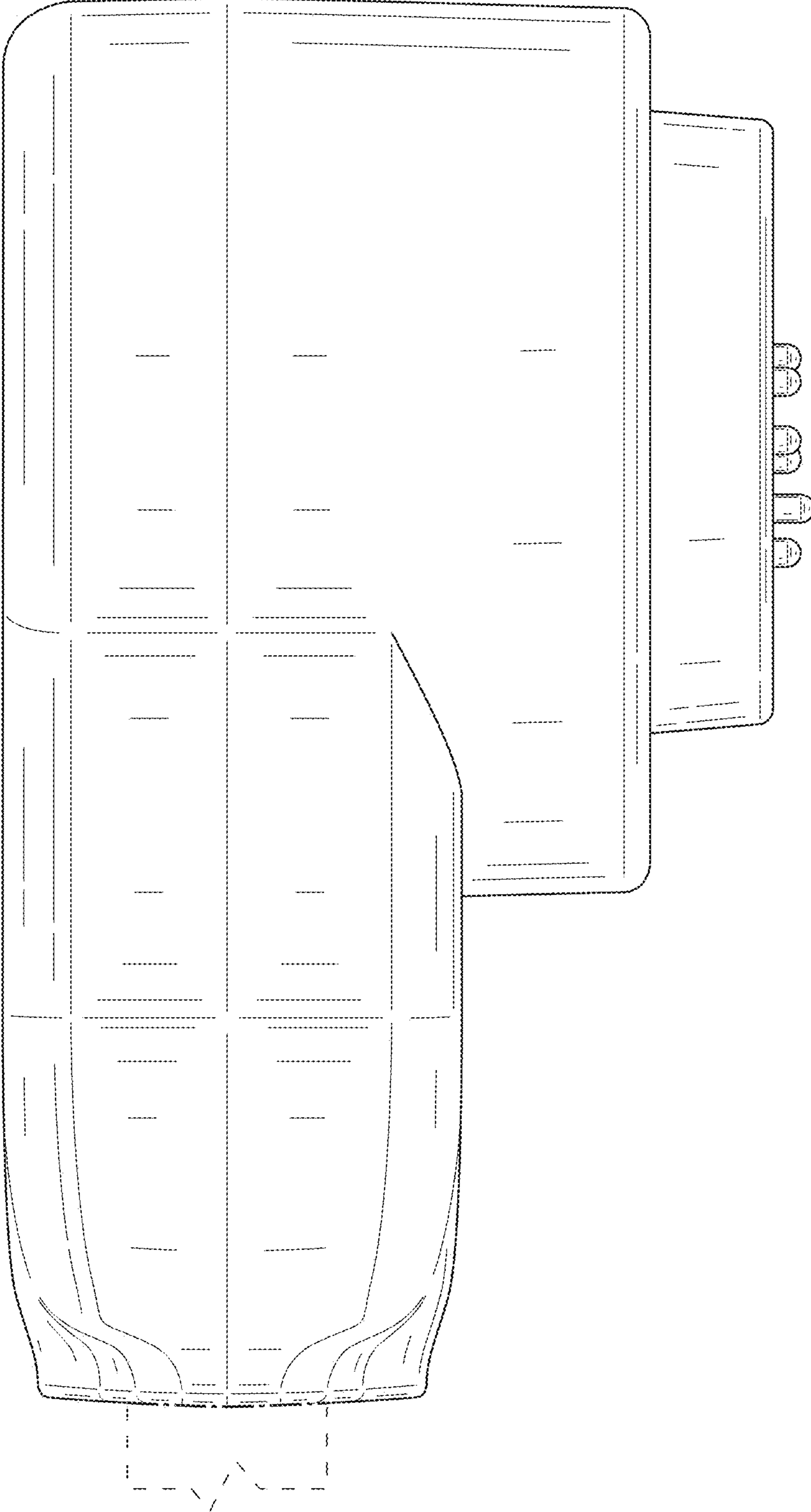


FIG. 6

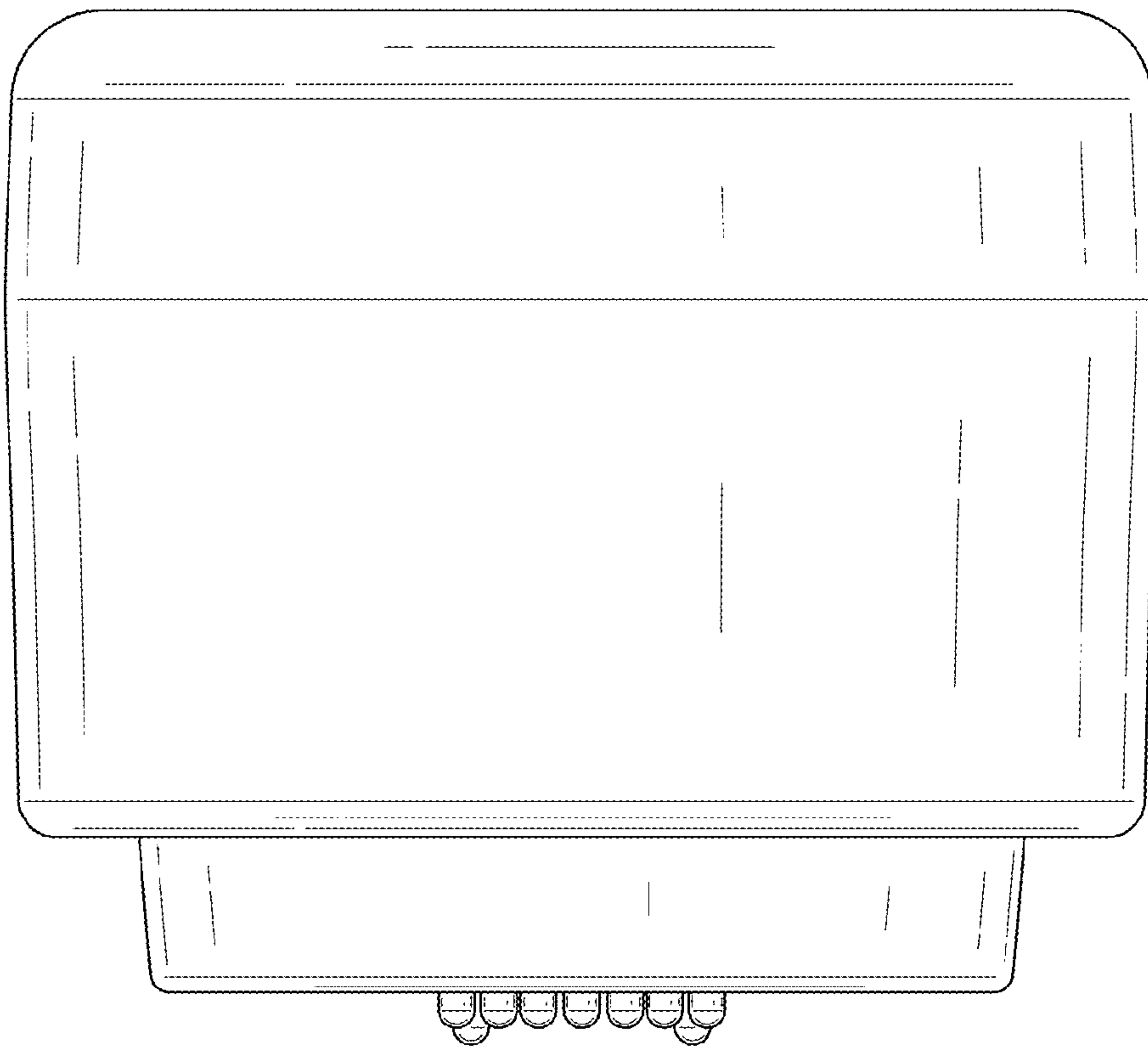


FIG. 7

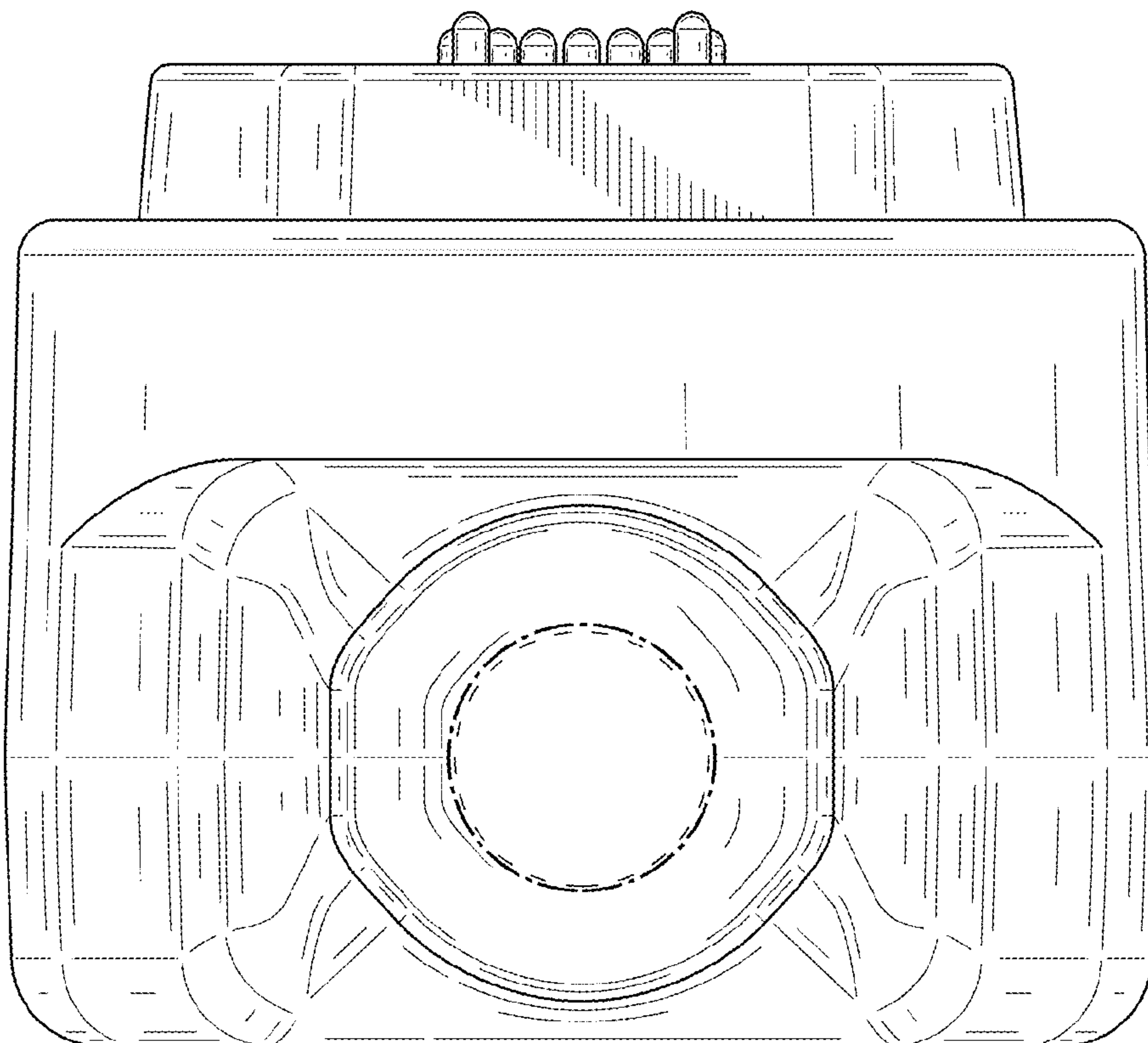


FIG. 8

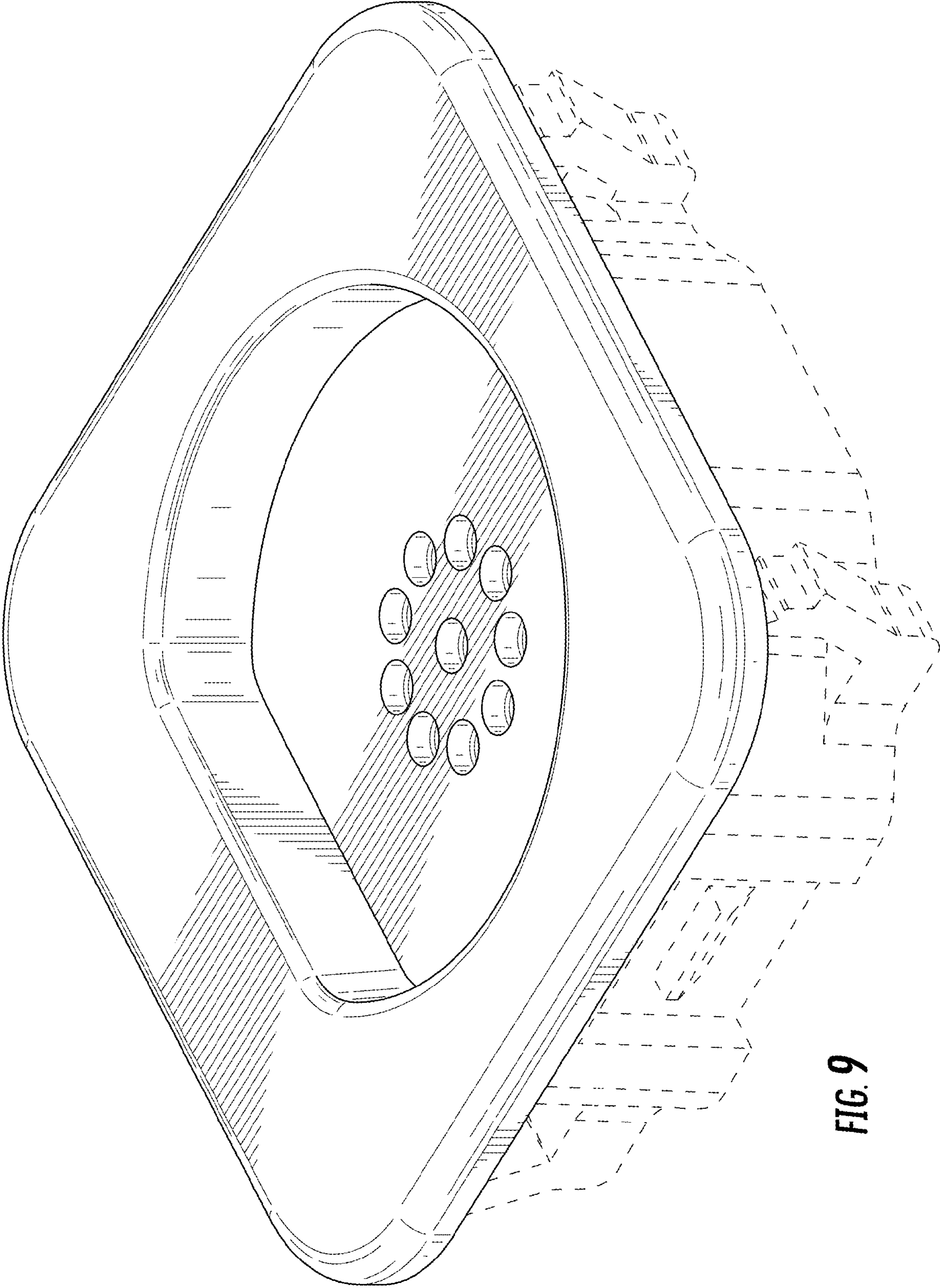


FIG. 9

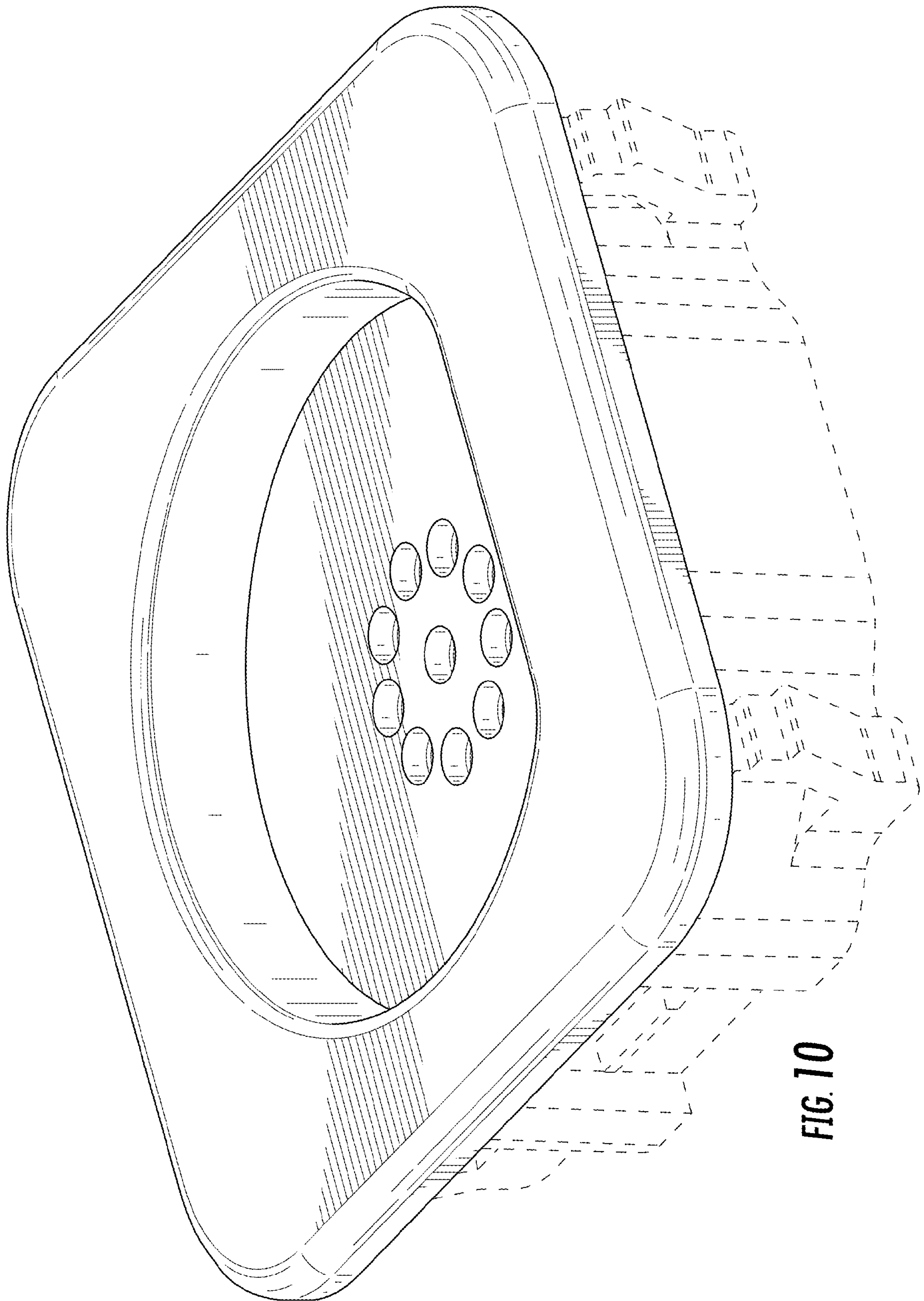


FIG. 10

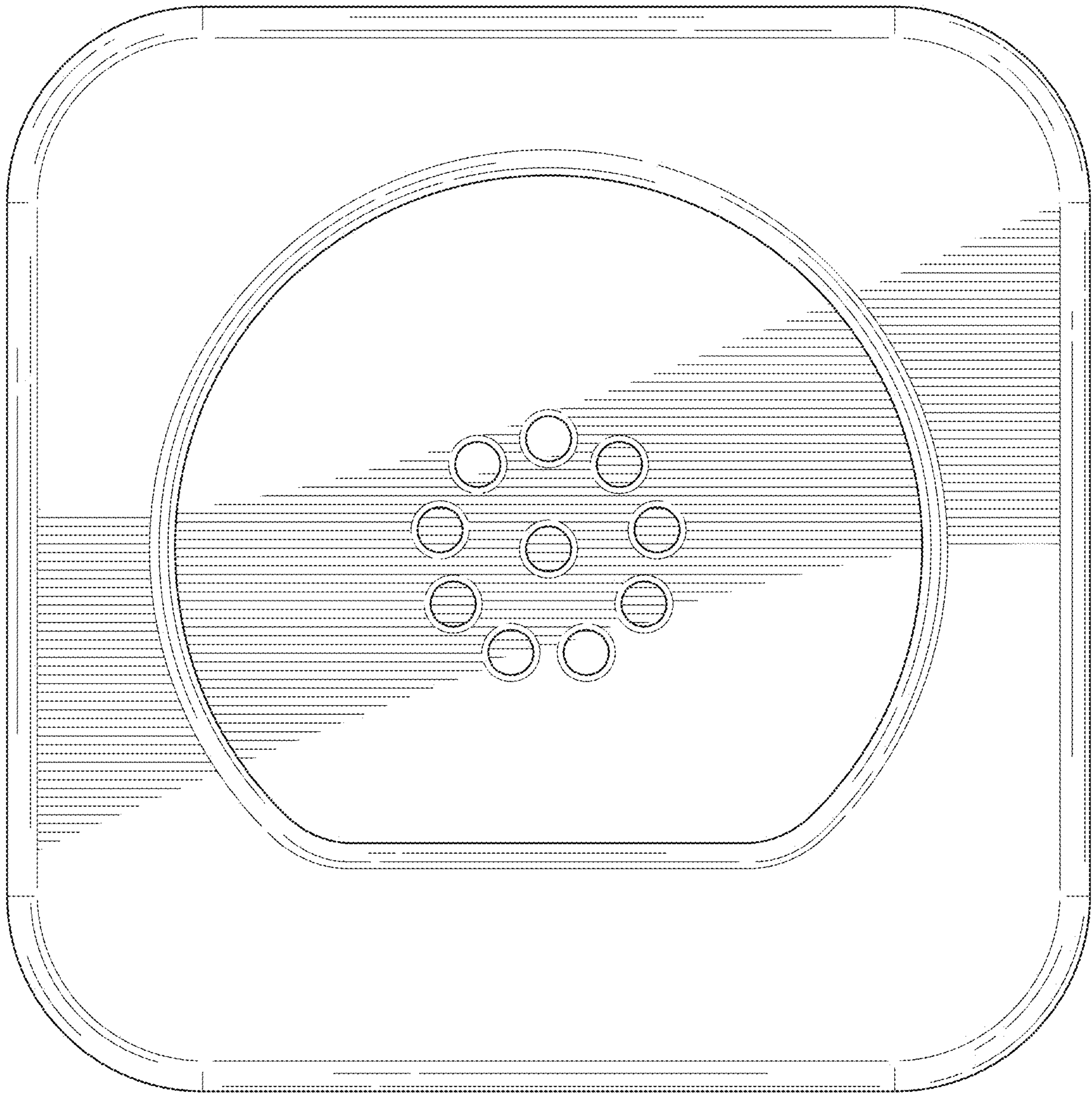


FIG. 11

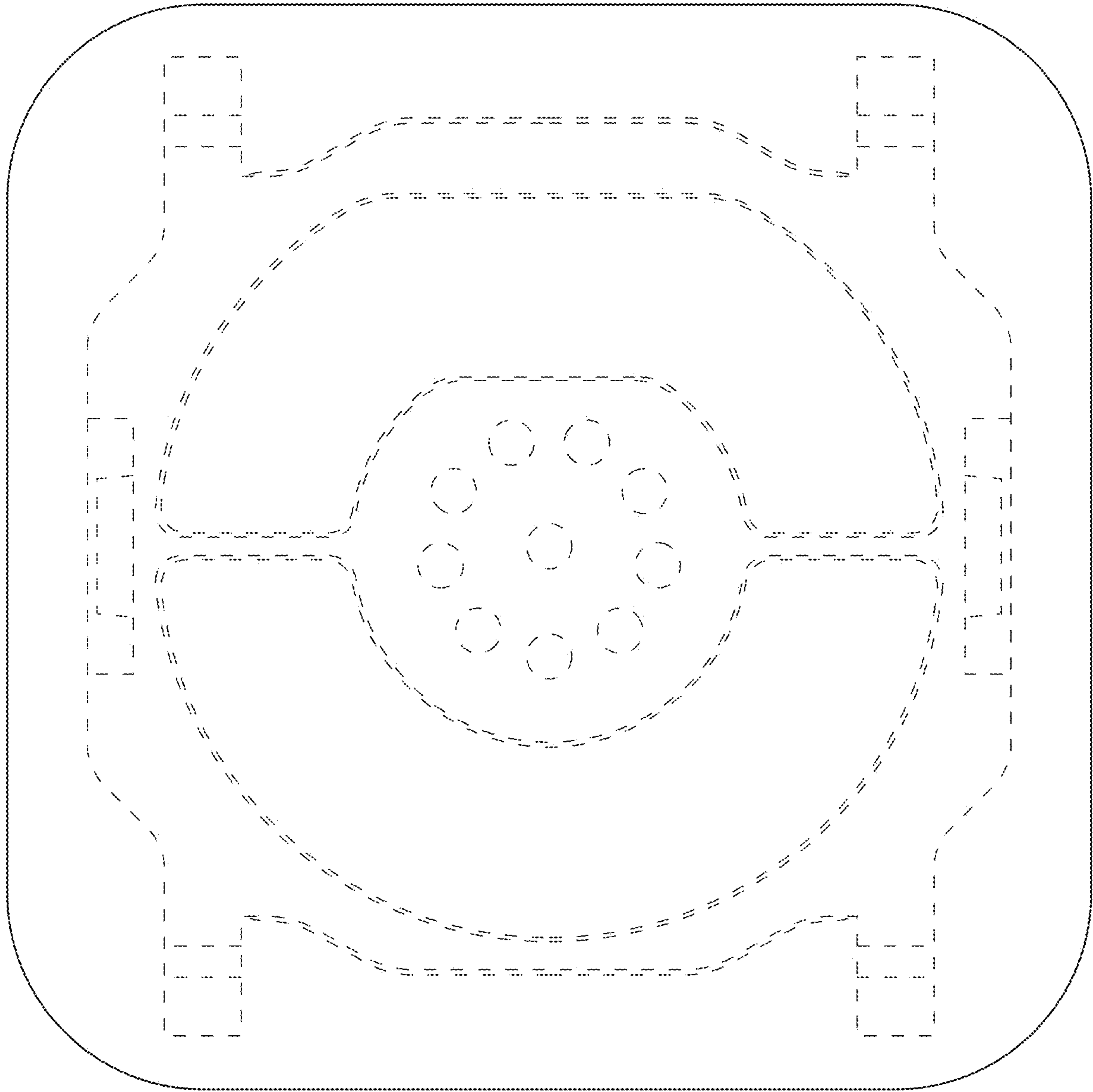


FIG. 12

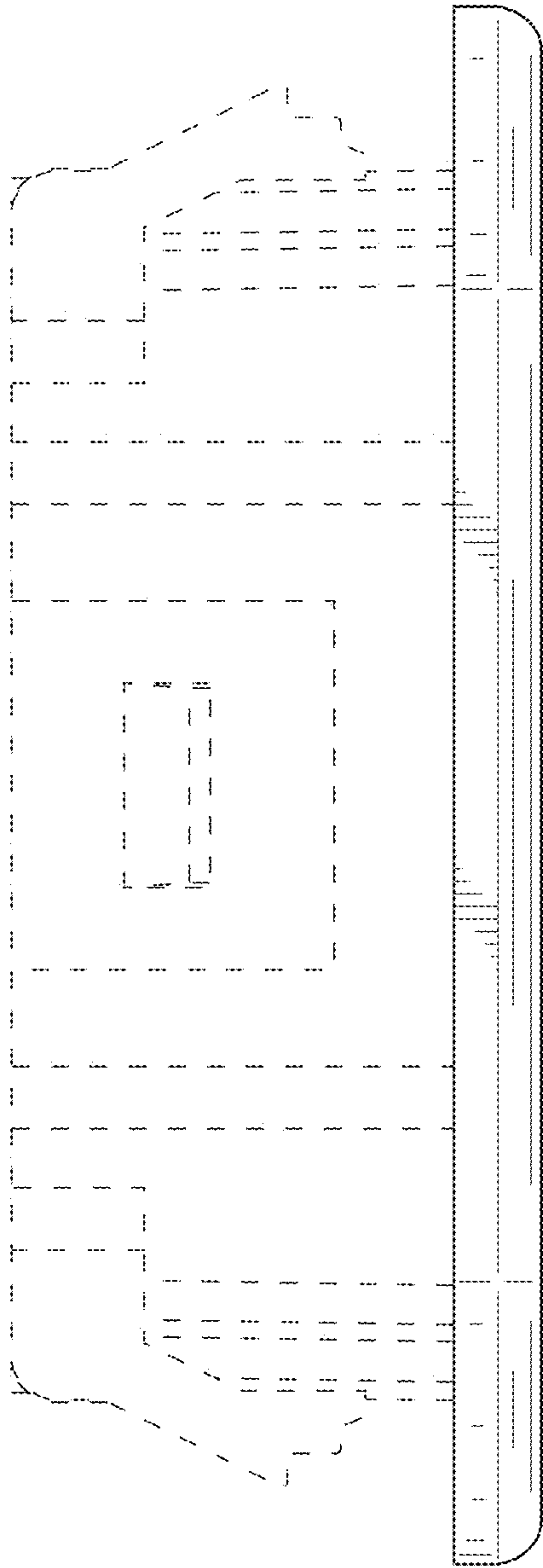


FIG. 13

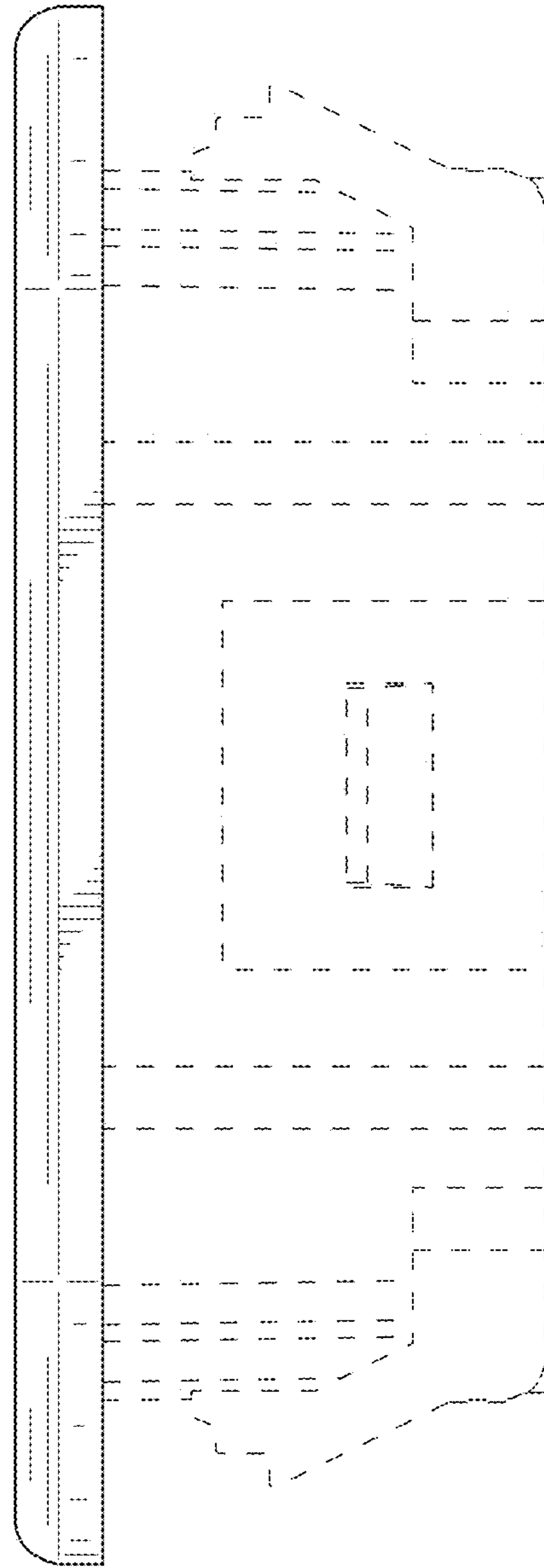


FIG. 14

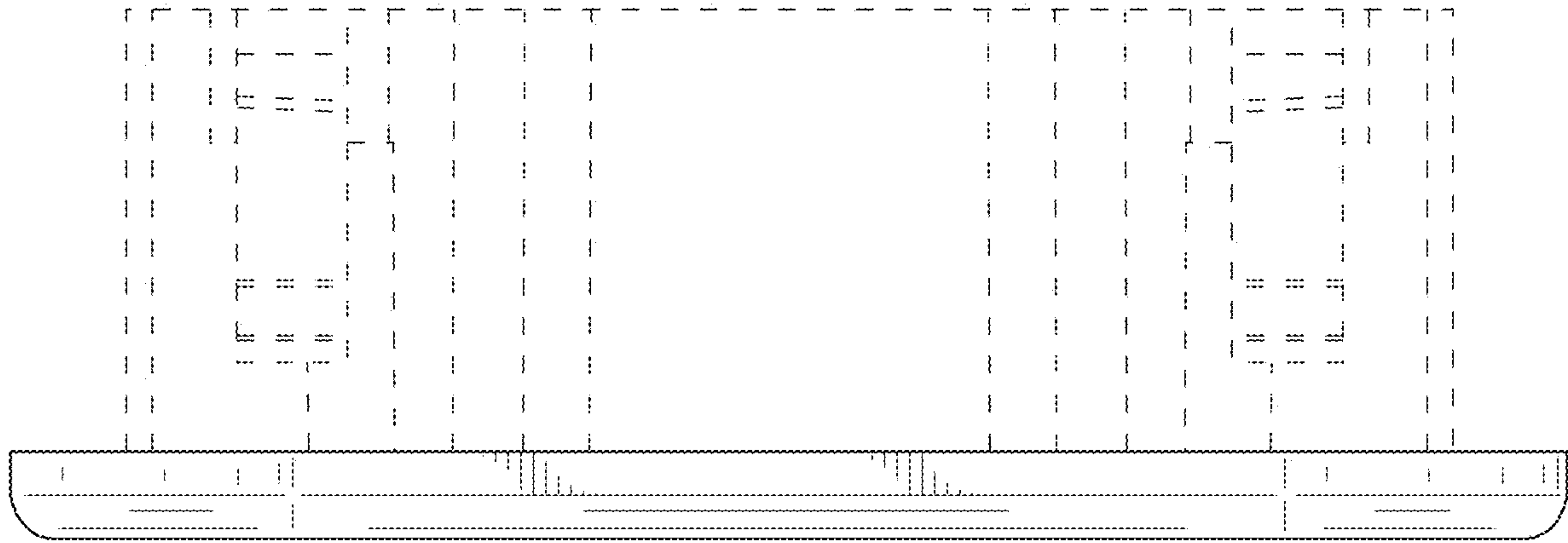


FIG. 15

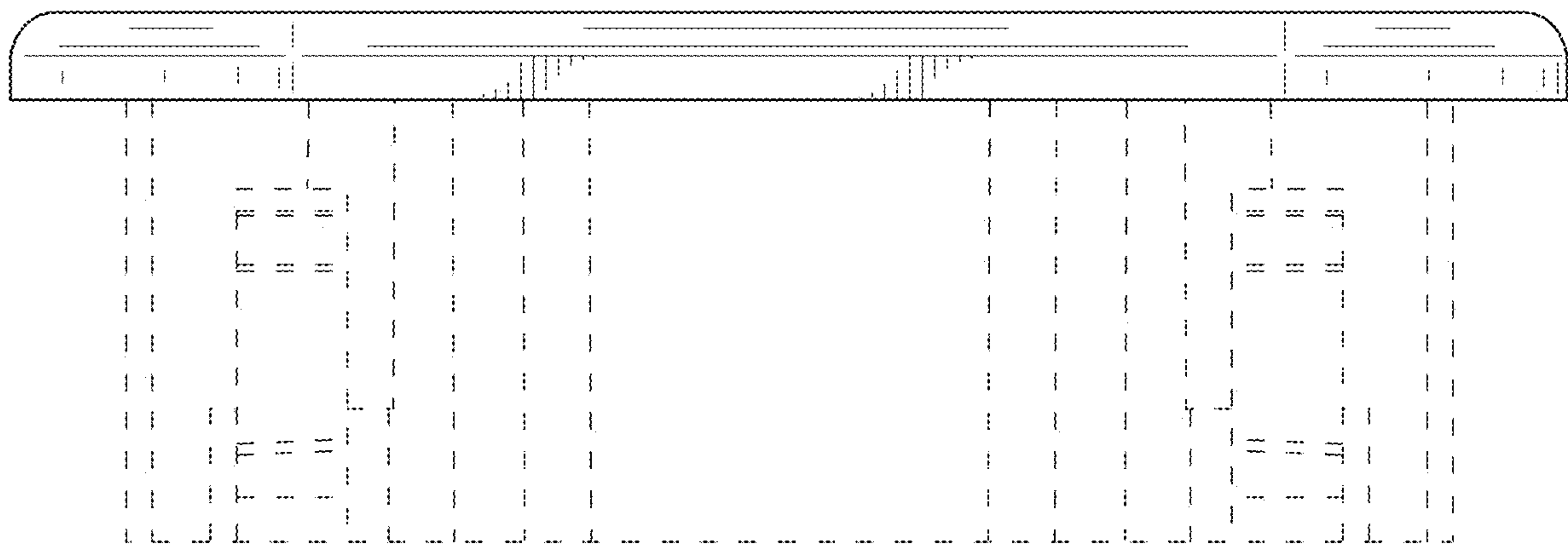


FIG. 16