



US00D924154S

(12) **United States Design Patent** (10) **Patent No.:** **US D924,154 S**
Dykas et al. (45) **Date of Patent:** **** Jul. 6, 2021**

(54) **PLUG**
(71) Applicant: **Power Products, LLC**, Menomonee Falls, WI (US)
(72) Inventors: **Thom Dykas**, Bellingham, WA (US); **Danny Ascencio-Hall**, Bellingham, WA (US); **Andrew Brown**, Bellingham, WA (US)
(73) Assignee: **POWER PRODUCTS, LLC**, Menomonee Falls, WI (US)

3,843,854 A 10/1974 Mori et al.
D238,176 S * 12/1975 Korman D13/137.1
D244,859 S * 6/1977 Jaconette D13/138.1
D244,860 S * 6/1977 Jaconette D13/138.1
4,034,172 A 7/1977 Glover et al.
(Continued)

FOREIGN PATENT DOCUMENTS

CN 203839603 U 9/2014
DE 2512193 A1 10/1976
(Continued)

OTHER PUBLICATIONS

Extended European Search Report from the European Patent Office for Application No. 17196556.9 dated Aug. 1, 2018 (19 pages).
(Continued)

Primary Examiner — Shawn T Gingrich
(74) *Attorney, Agent, or Firm* — Andrus Intellectual Property Law, LLP

(**) Term: **15 Years**
(21) Appl. No.: **29/622,280**
(22) Filed: **Oct. 16, 2017**
(51) **LOC (13) Cl.** **13-03**
(52) **U.S. Cl.**
USPC **D13/139.1; D13/133**
(58) **Field of Classification Search**
USPC D13/107, 110, 118, 123, 133, 146, 147, D13/149, 151, 153, 154, 173, 184, 199, D13/137.1, 138.1, 139.1
CPC G02B 6/42; H01R 13/00; H01R 13/60; H01R 13/62; H01R 13/633; H01R 13/639; H01R 13/713; H01R 13/7132
See application file for complete search history.

(57) **CLAIM**

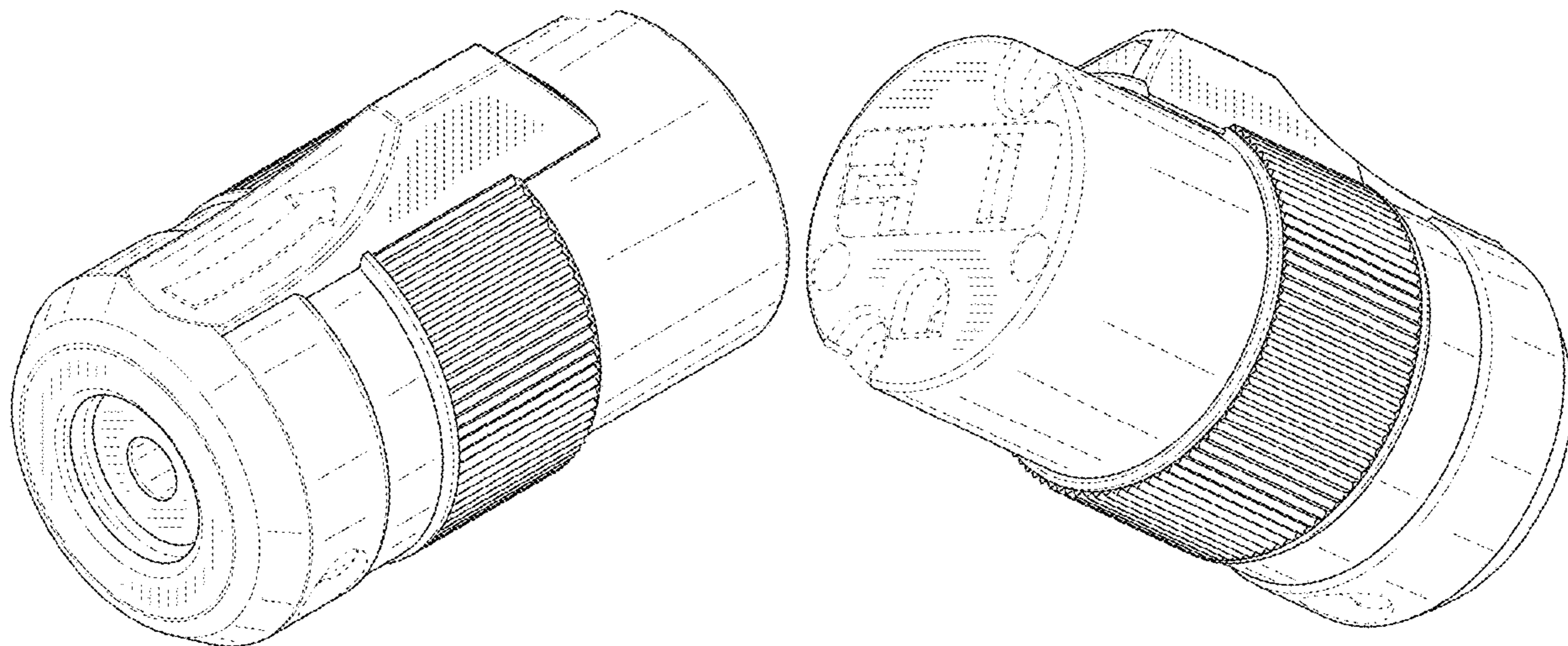
We claim the ornamental design for a plug, as shown and described.

DESCRIPTION

FIG. 1 is a rear perspective view of a plug showing our new design.
FIG. 2 is a front perspective view of the plug of FIG. 1.
FIG. 3 is a rear view of the plug of FIG. 1.
FIG. 4 is a front view of the plug of FIG. 1.
FIG. 5 is a first side view of the plug of FIG. 1.
FIG. 6 is a second side view of the plug of FIG. 1.
FIG. 7 is a top view of the plug of FIG. 1; and, FIG. 8 is a bottom view of the plug of FIG. 1.
Any portion of the connector assembly shown in broken lines is included for the purpose of illustrating environment and forms no part of the claimed design.

1 Claim, 8 Drawing Sheets

(56) **References Cited**
U.S. PATENT DOCUMENTS
1,971,990 A 8/1934 Reynolds et al.
2,551,533 A 5/1951 Gernheuser
2,688,734 A 9/1954 Welling
2,817,825 A 12/1957 Zettle et al.
2,986,612 A 5/1961 Healy
3,452,167 A 6/1969 Fee
3,475,715 A 10/1969 Venaleck
3,585,323 A 6/1971 Appleton
3,596,019 A 7/1971 Koester
3,598,941 A 8/1971 Nelson



(56)

References Cited

U.S. PATENT DOCUMENTS

4,138,177 A 2/1979 van Valer
 4,157,855 A 6/1979 Chan
 4,314,735 A 2/1982 Fullenkamp et al.
 D308,665 S 6/1990 Kussmaul
 5,220,268 A 6/1993 Rose et al.
 5,266,040 A 11/1993 Merrill et al.
 5,429,524 A 7/1995 Wakata et al.
 5,635,690 A 6/1997 Knecht et al.
 5,645,439 A 7/1997 Nugent, Jr. et al.
 5,800,189 A 9/1998 Ahmed
 5,831,802 A 11/1998 Ahmed et al.
 5,921,794 A 7/1999 Koch
 6,062,883 A 5/2000 Schreiber et al.
 6,540,533 B1 4/2003 Schreiber
 6,554,629 B2 4/2003 Koch
 D479,826 S * 9/2003 Verfuerrth D13/137.4
 D501,826 S * 2/2005 Bachmann D13/149
 7,044,759 B2 5/2006 Hughes
 7,234,953 B2 6/2007 Chen
 7,344,393 B2 3/2008 Buller et al.
 7,431,601 B2 10/2008 Nugent, Jr. et al.
 D587,656 S * 3/2009 Shen D13/147
 D604,245 S * 11/2009 Reusche D13/133
 D712,360 S * 9/2014 Su D13/147
 9,048,570 B2 6/2015 Goel
 D829,657 S * 10/2018 Hayashi D13/133
 D873,220 S * 1/2020 Ishiguro D13/133
 10,811,827 B1 * 10/2020 Dykas H01R 13/7038
 2002/0064983 A1 5/2002 Patey
 2004/0192092 A1 9/2004 Borrego Bel et al.
 2004/0266236 A1 12/2004 Hughes
 2008/0146058 A1 6/2008 Nugent et al.
 2010/0035448 A1 * 2/2010 Nishimura H01R 13/5812
 439/95
 2015/0194763 A1 7/2015 Gagne et al.

2015/0364866 A1 12/2015 Gagne et al.
 2016/0036162 A1 2/2016 Ohler
 2018/0109048 A1 * 4/2018 Dykas B60L 53/30
 2019/0049678 A1 * 2/2019 Koreeda G02B 6/3879

FOREIGN PATENT DOCUMENTS

DE 102011050998 A1 6/2012
 EP 2479865 A1 7/2012
 EP 2672594 A1 12/2013
 KR 20130129007 A 11/2013
 WO 9739497 A1 10/1997
 WO 2004077613 A2 9/2004
 WO 2005081367 A1 9/2005
 WO 2012041742 A2 4/2012
 WO 2015100501 A1 7/2015

OTHER PUBLICATIONS

“V7-1Z10E9-263 Switch”, Honeywell, 3 pages, Aug. 30, 2016.
 Partial European Search Report from the European Patent Office for Application No. 17196556.9 dated Feb. 15, 2018 (14 pages).
 Zhuang, Zin, “Solidworks—Scotch Yoke Mechanism in Jigsaw” Seelio.com, Oct. 31, 2016, Retrieved from Internet: URL:https://seelio.com/w/2kga/solidworks_-_scotch-yoke-mechanism-in-jigsaw.
 Ersoy, Seyhan, “Scotch Yoke with Dwell at One End”, Mekanizmalar.com, Dec. 30, 2011, retrieved from Internet: URL:http://www.mekanizmalar.com/scotch_yoke_with_dwell_at_one_end.html.
 “Micro Switch V7 Series Premium Miniature Basic Switches”, Honeywell Datasheet, Oct. 2015, Honeywell International Inc., (9 pages).

* cited by examiner

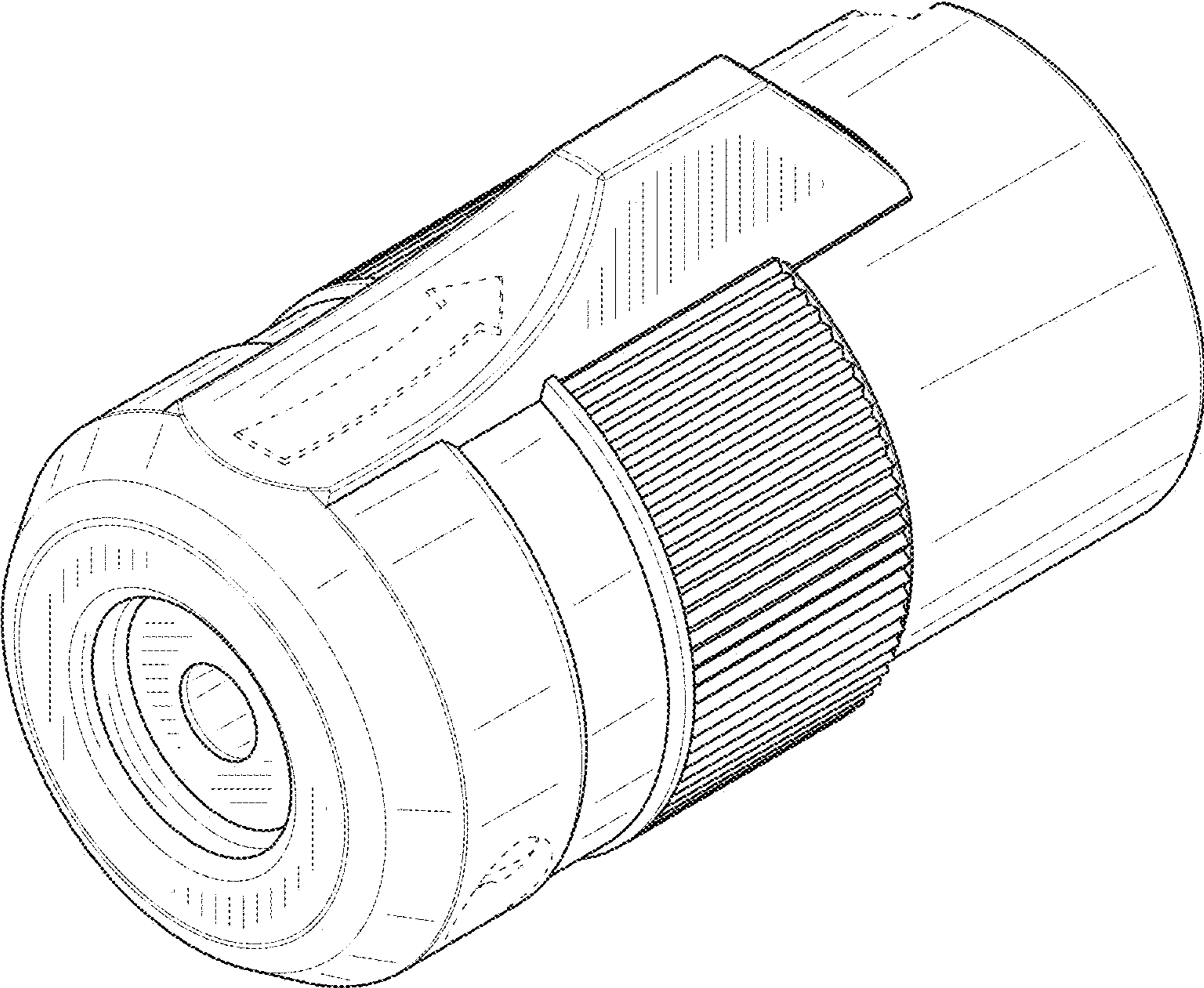


FIG. 1

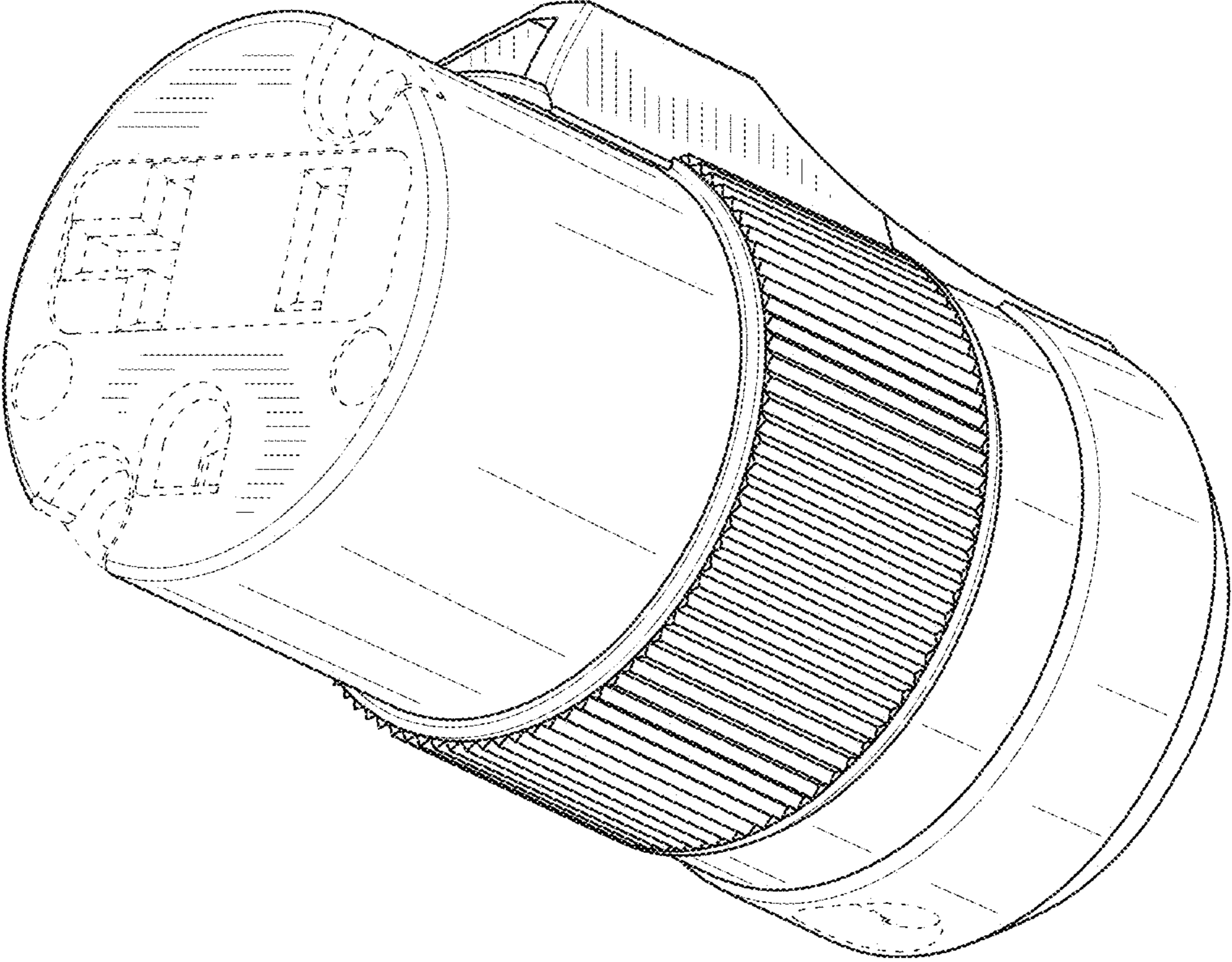


FIG. 2

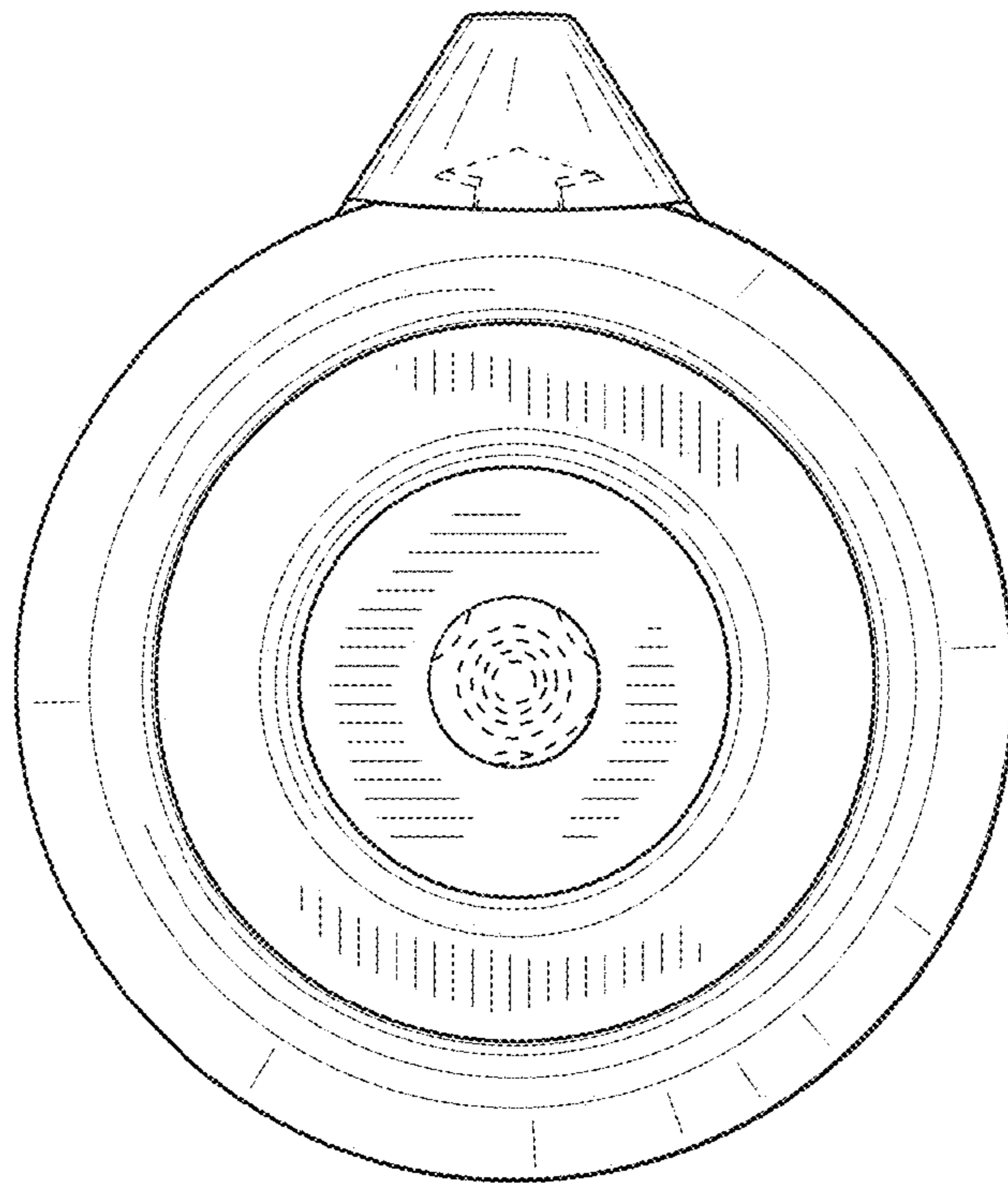


FIG. 3

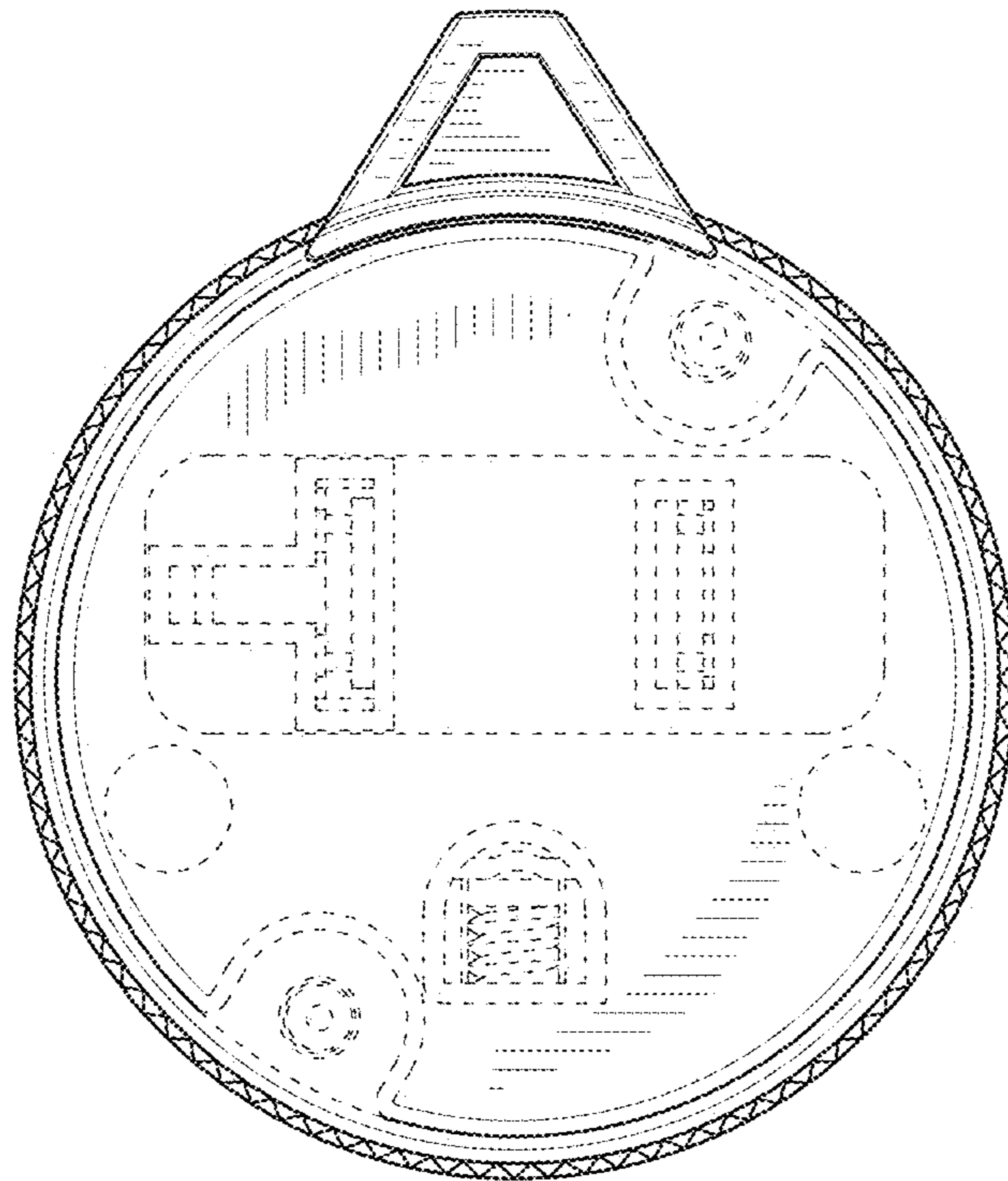


FIG. 4

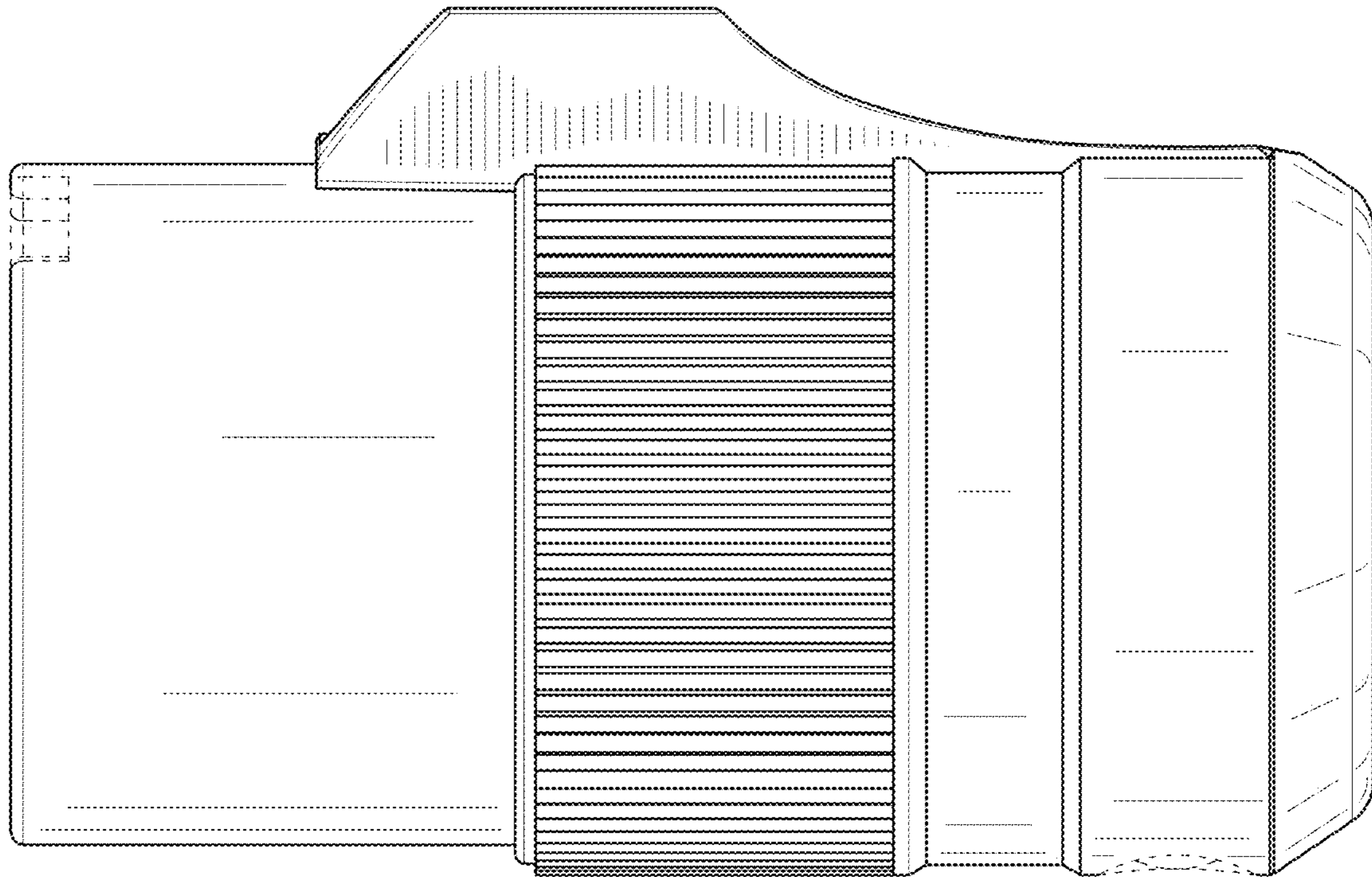


FIG. 5

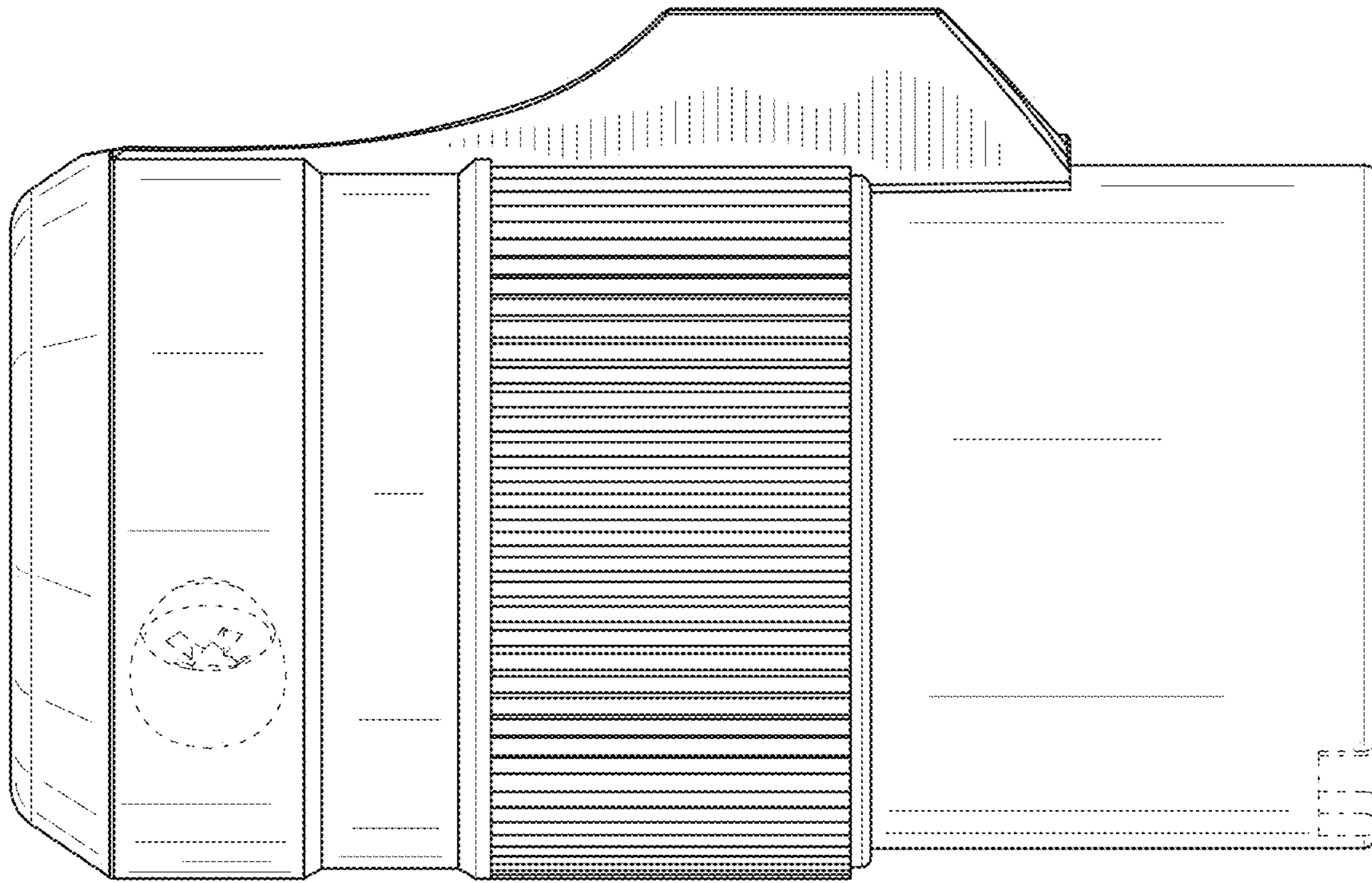


FIG. 6

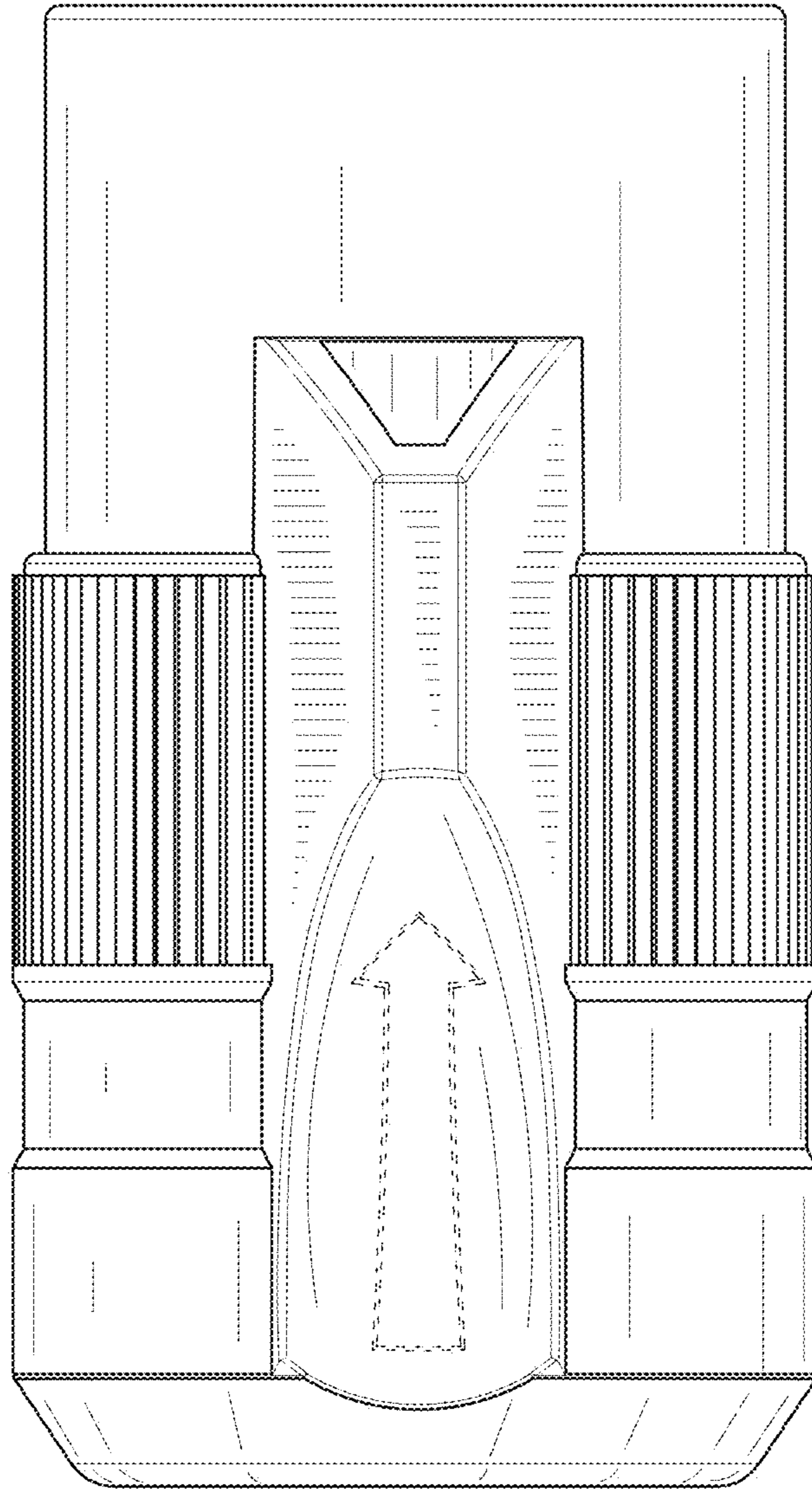


FIG. 7

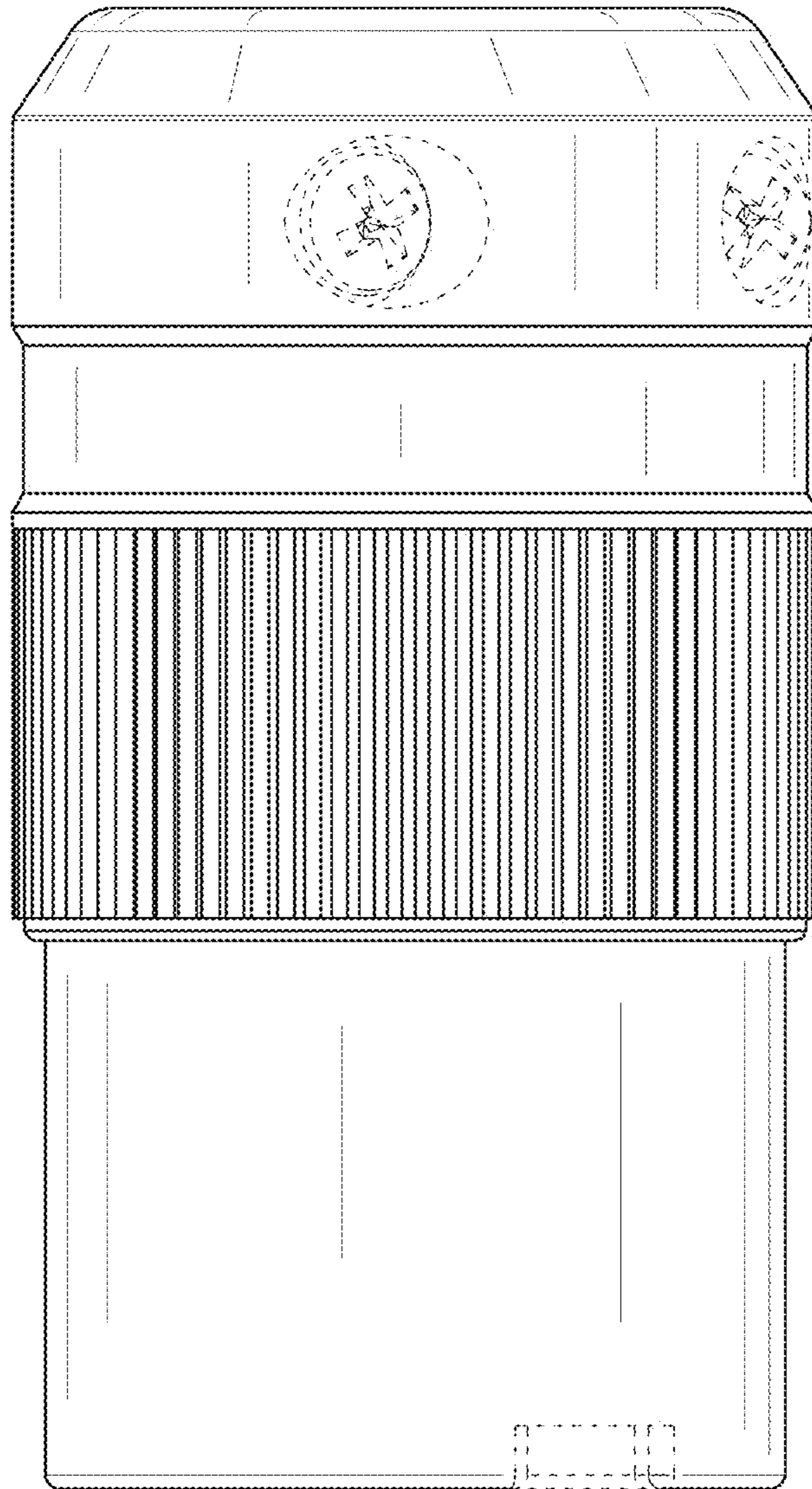


FIG. 8