



US00D924153S

(12) **United States Design Patent**  
**Hung**

(10) **Patent No.:** **US D924,153 S**

(45) **Date of Patent:** **\*\* Jul. 6, 2021**

(54) **ADAPTER**

(71) Applicant: **ZING EAR ENTERPRISE CO., LTD.**, Taichung (TW)

(72) Inventor: **Tang-Yueh Hung**, Taichung (TW)

(73) Assignee: **ZING EAR ENTERPRISE CO., LTD.**, Taichung (TW)

(\*\*) Term: **15 Years**

(21) Appl. No.: **29/619,189**

(22) Filed: **Sep. 27, 2017**

(51) **LOC (13) Cl.** ..... **13-03**

(52) **U.S. Cl.**  
USPC ..... **D13/135**

(58) **Field of Classification Search**  
USPC ..... D13/107, 118, 123, 133-135, 146, 147, D13/149, 151, 153, 154, 173, 184, 199; D26/1-4, 40, 113  
CPC ..... F21V 19/00; F21V 23/06; F21V 29/77; F21V 1/08; F21V 29/70; H01R 13/44; H01R 13/652; H01R 13/66; H01R 24/00; H01R 24/22; H01R 24/46; H01R 24/94; H01R 33/00; H01R 33/08; H01R 33/46; H01R 33/94; H01R 33/97; F21K 99/00; F21S 8/026; F21S 8/02; H01K 1/00  
See application file for complete search history.

(56) **References Cited**

**U.S. PATENT DOCUMENTS**

- 2,199,599 A \* 5/1940 Stambaugh ..... H01R 13/20  
439/268
- 2,210,603 A \* 8/1940 Shaw ..... H01R 33/94  
439/339
- D239,943 S \* 5/1976 Schwartz ..... D13/161
- D282,062 S \* 1/1986 Cummings ..... D13/135
- D283,504 S \* 4/1986 Leis ..... D13/135
- D290,110 S \* 6/1987 Blaisdell ..... D13/135

- D321,501 S \* 11/1991 Ilemo ..... D13/135
- D321,502 S \* 11/1991 Ilemo ..... D13/135
- 5,150,008 A \* 9/1992 Lee ..... H01K 1/42  
313/318.07
- 5,634,820 A \* 6/1997 Vakil ..... F21S 8/00  
313/318.01
- D397,811 S \* 9/1998 Vakil ..... D26/3
- 6,124,673 A \* 9/2000 Bishop ..... F21V 19/0095  
315/363
- D452,843 S \* 1/2002 Henrici ..... D13/134
- D492,934 S \* 7/2004 Lingemann ..... D13/134
- D594,822 S \* 6/2009 Layne ..... D13/134
- D616,367 S \* 5/2010 Foo ..... D13/134
- D640,189 S \* 6/2011 Chen ..... D13/101
- 8,079,735 B1 \* 12/2011 Vakil ..... F21V 3/00  
362/235
- 9,502,846 B1 \* 11/2016 Peng ..... H01R 33/94
- 10,020,626 B1 \* 7/2018 Hung ..... H01R 33/22
- 10,116,109 B1 \* 10/2018 Peng ..... H01R 31/06
- 10,193,289 B1 \* 1/2019 Peng ..... H01R 33/94
- 10,566,751 B1 \* 2/2020 Chen ..... H01R 13/5833

(Continued)

*Primary Examiner* — Shawn T Gingrich

(74) *Attorney, Agent, or Firm* — Guice Patents PLLC

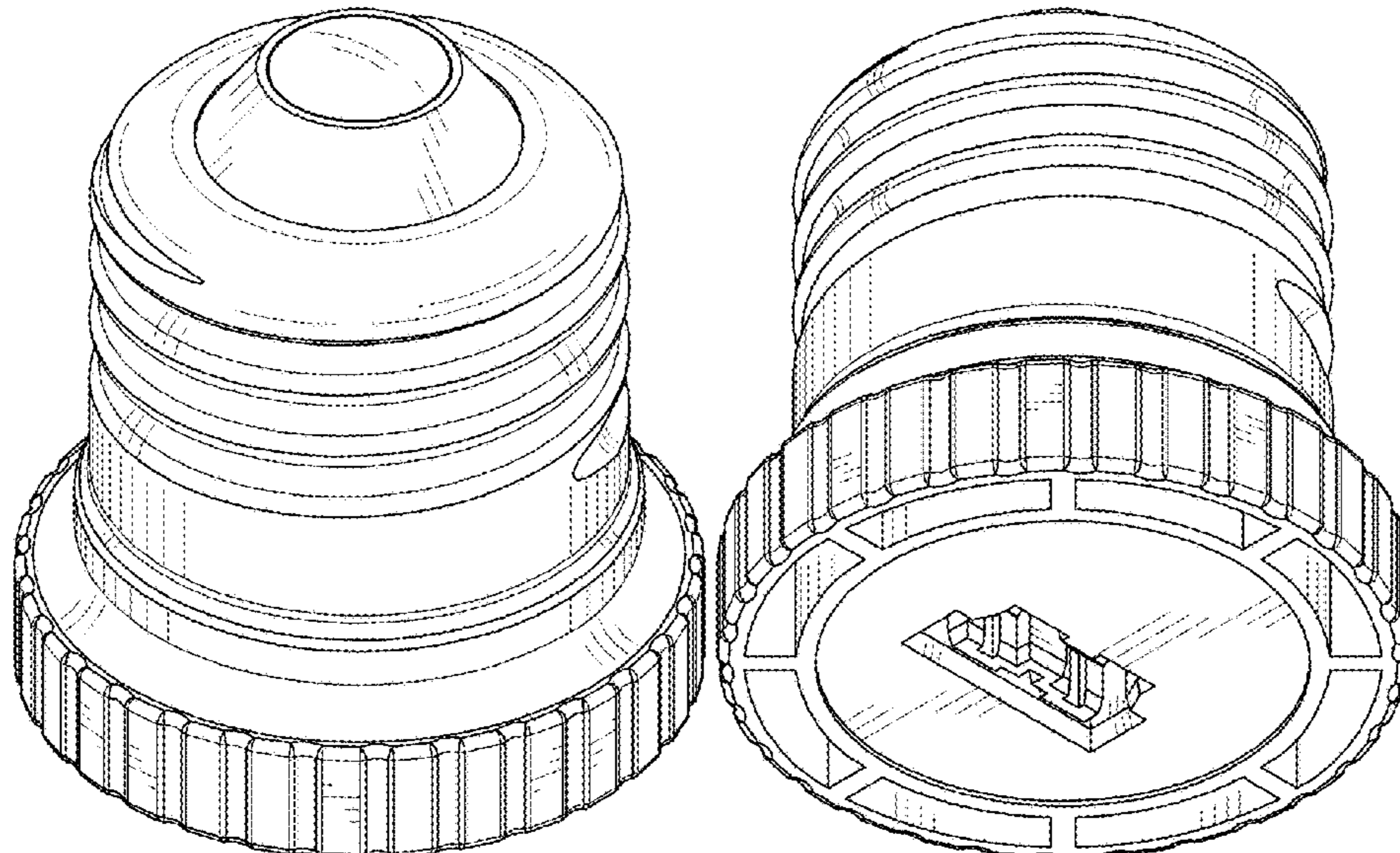
(57) **CLAIM**

The ornamental design for an adapter, as shown and described.

**DESCRIPTION**

FIG. 1 is a top perspective view of an adapter; FIG. 2 is a front view of FIG. 1; FIG. 3 is a rear view of FIG. 1; FIG. 4 is a left side view of FIG. 1; FIG. 5 is a right side view of FIG. 1; FIG. 6 is a top view of FIG. 1; FIG. 7 is a bottom view of FIG. 1; and, FIG. 8 is a bottom perspective view of FIG. 1. The broken lines in the drawings illustrate portions of the adaptor that form no part of the claimed design.

**1 Claim, 5 Drawing Sheets**



(56)

**References Cited**

U.S. PATENT DOCUMENTS

2015/0056834 A1\* 2/2015 Sanders ..... H01R 33/97  
439/232  
2018/0145470 A1\* 5/2018 Huang ..... H01R 33/22  
2020/0063922 A1\* 2/2020 Wang ..... F21K 9/238  
2020/0386376 A1\* 12/2020 Zeng ..... F21V 23/06

\* cited by examiner

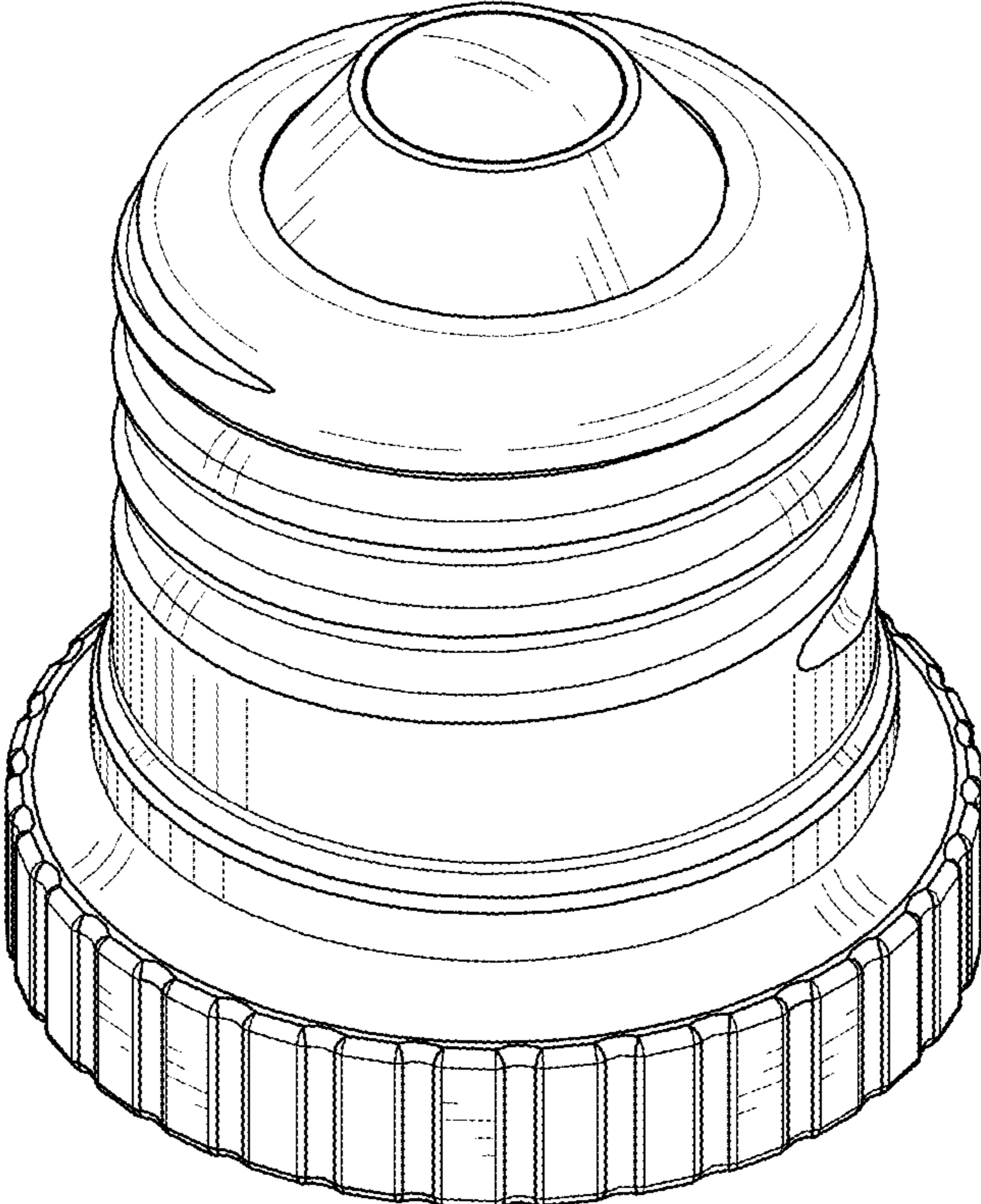


Fig. 1

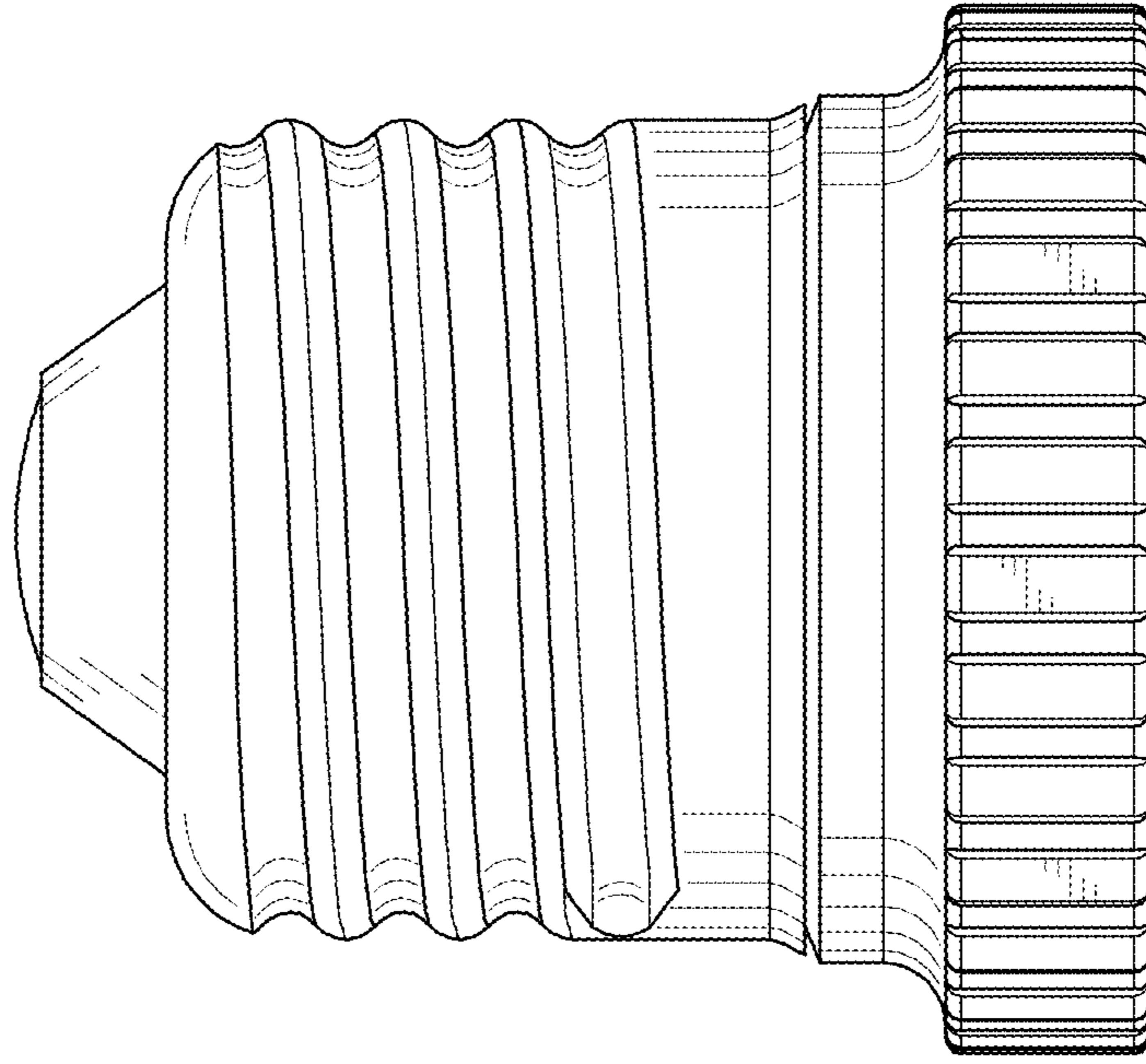


Fig. 3

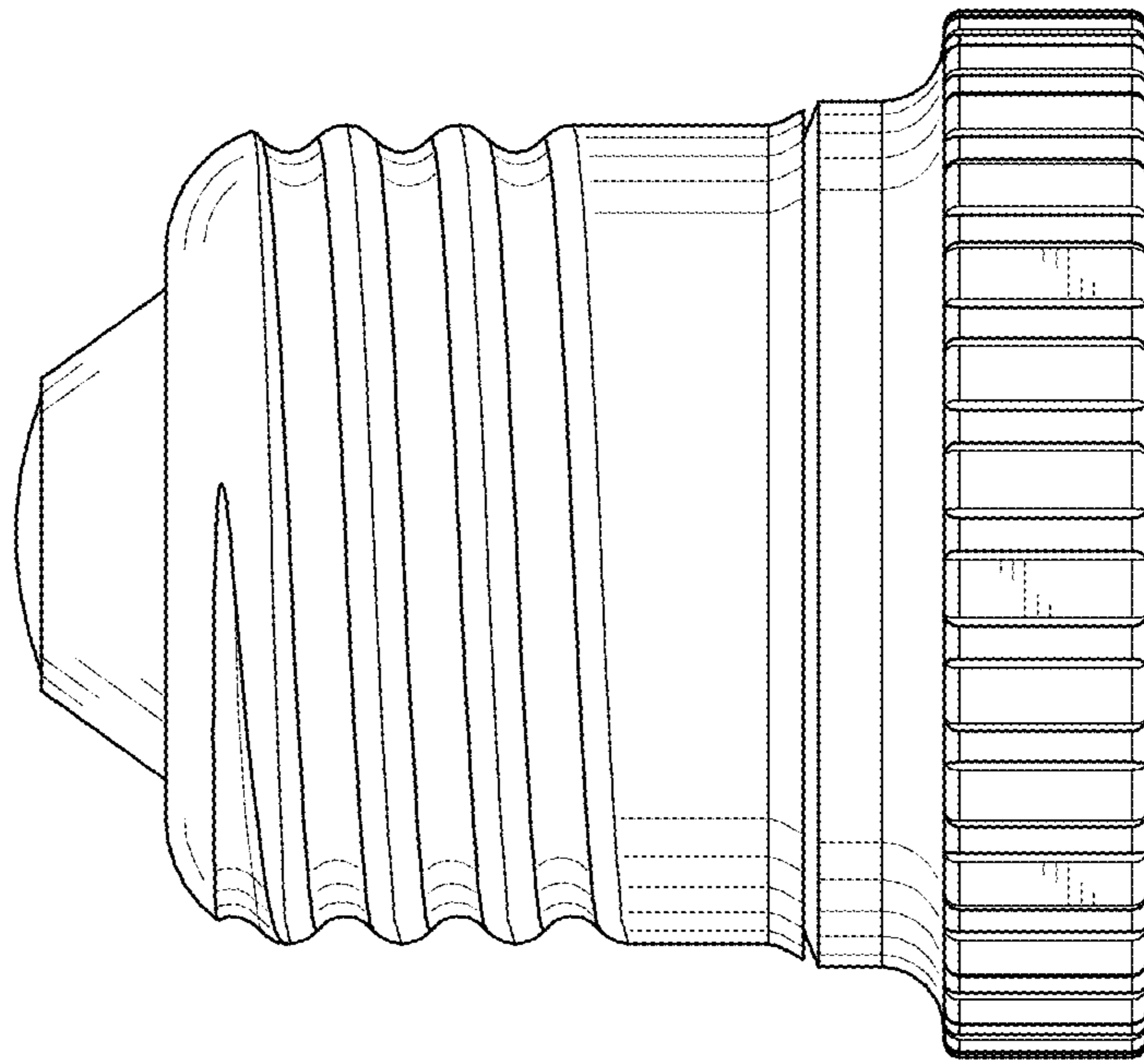


Fig. 2

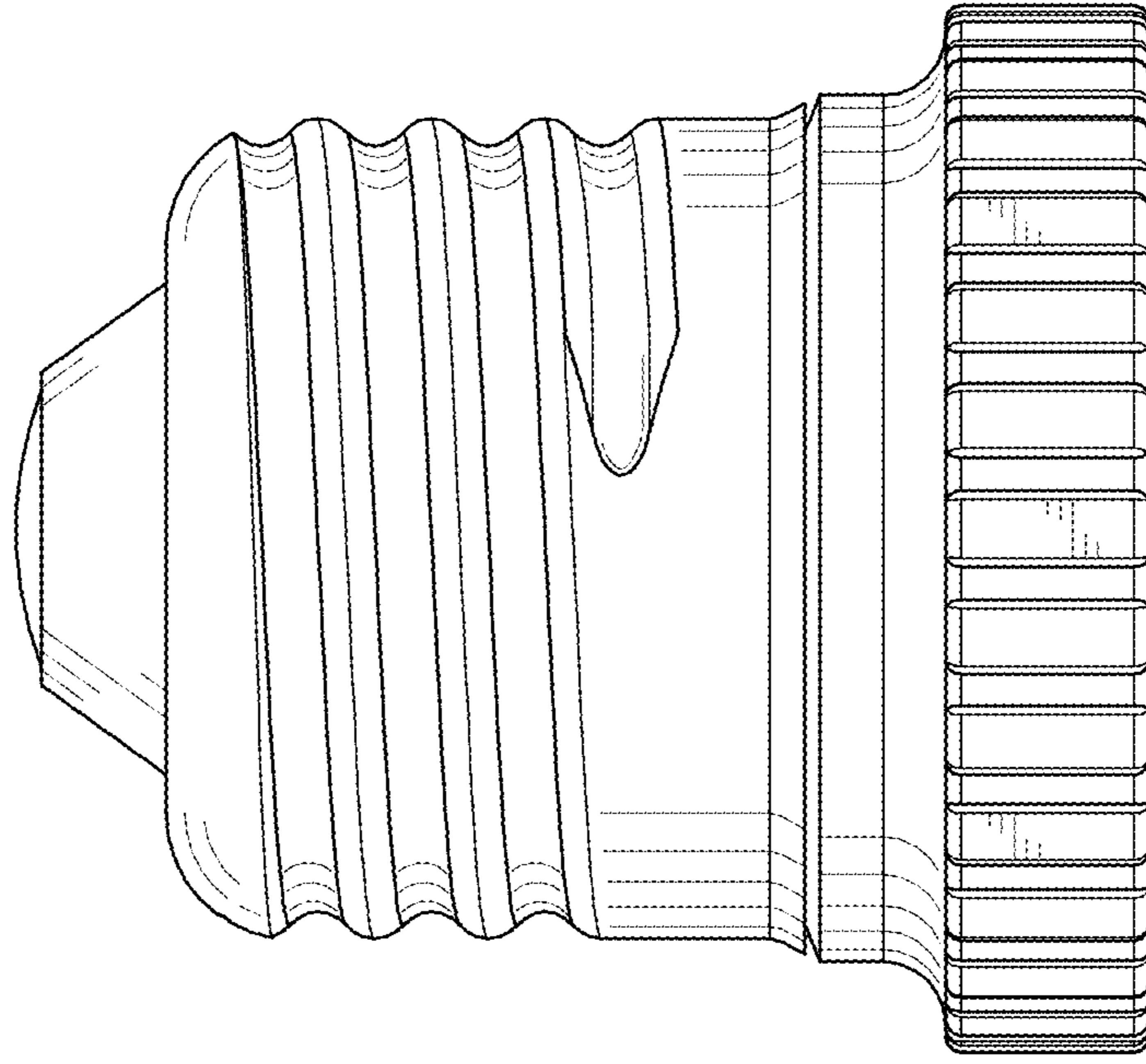


Fig. 5

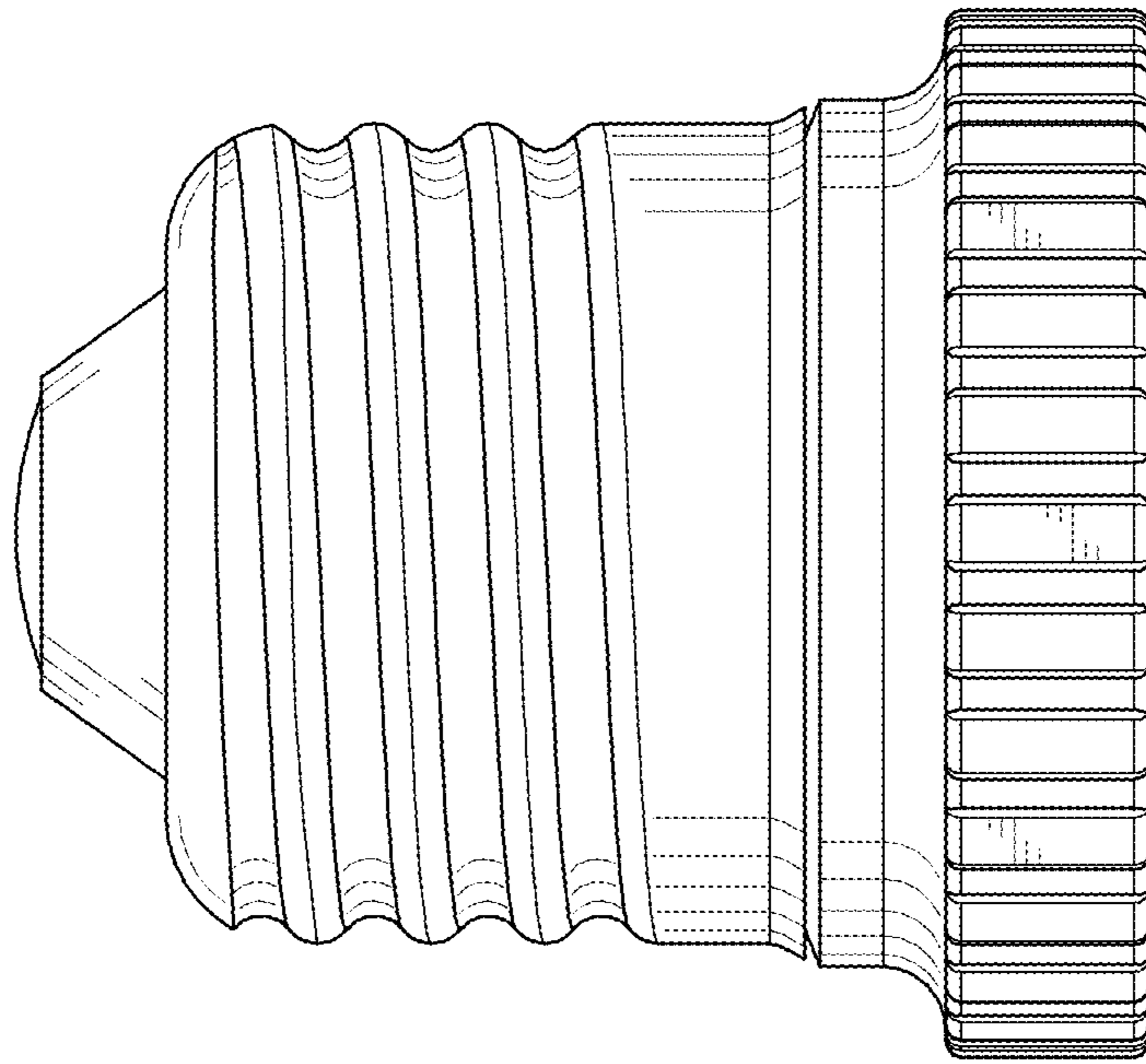


Fig. 4

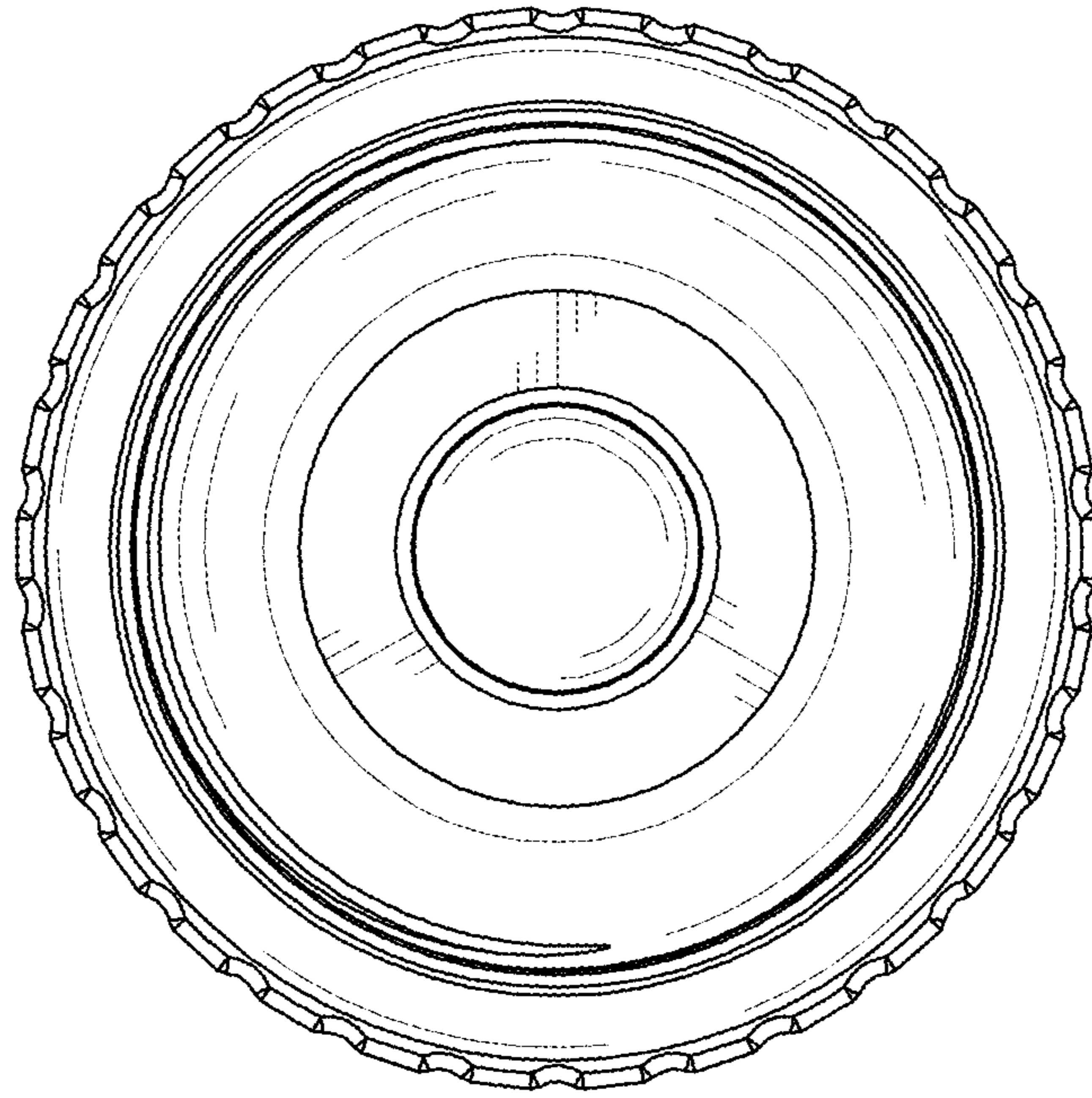


Fig. 6

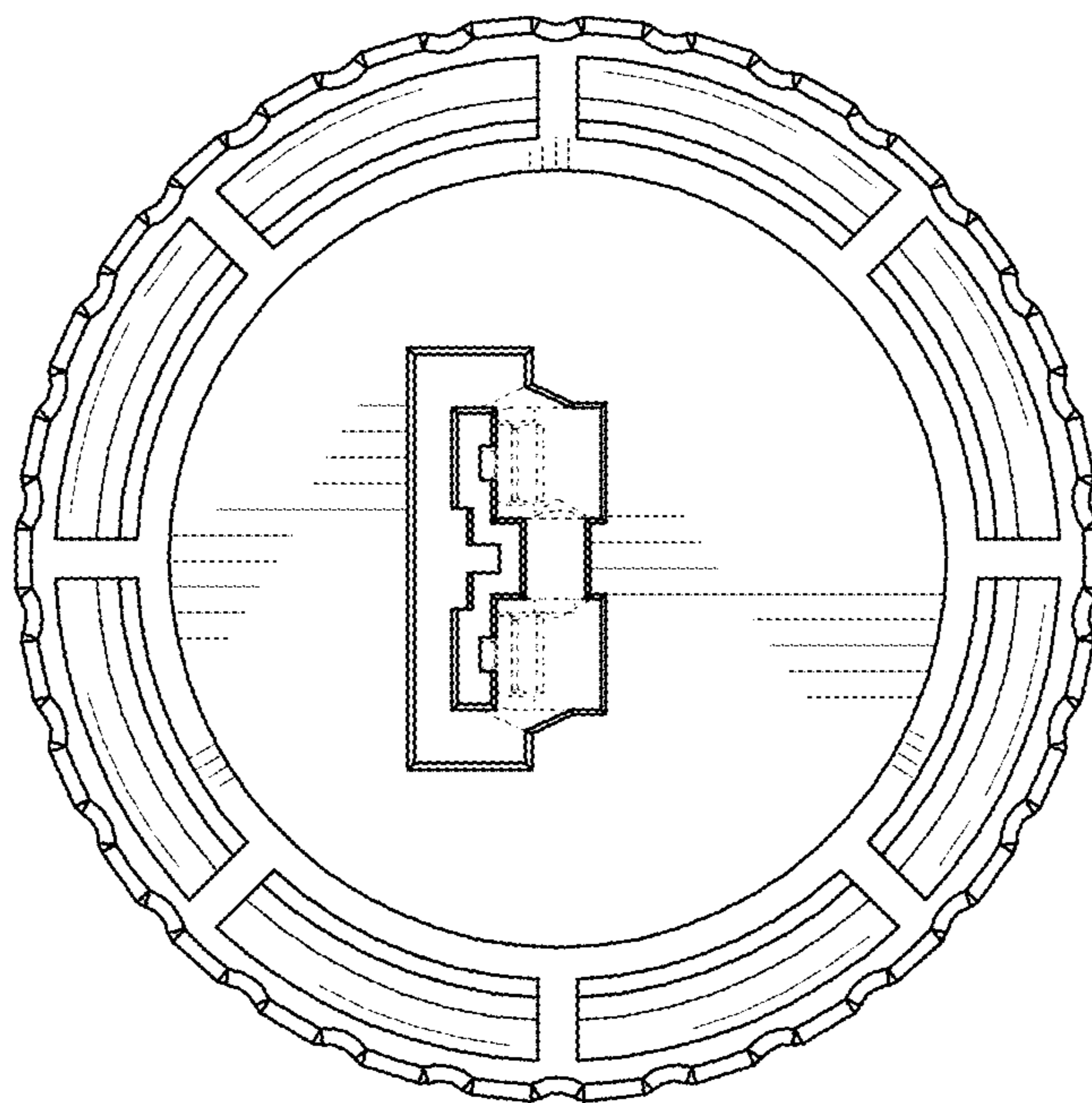


Fig. 7

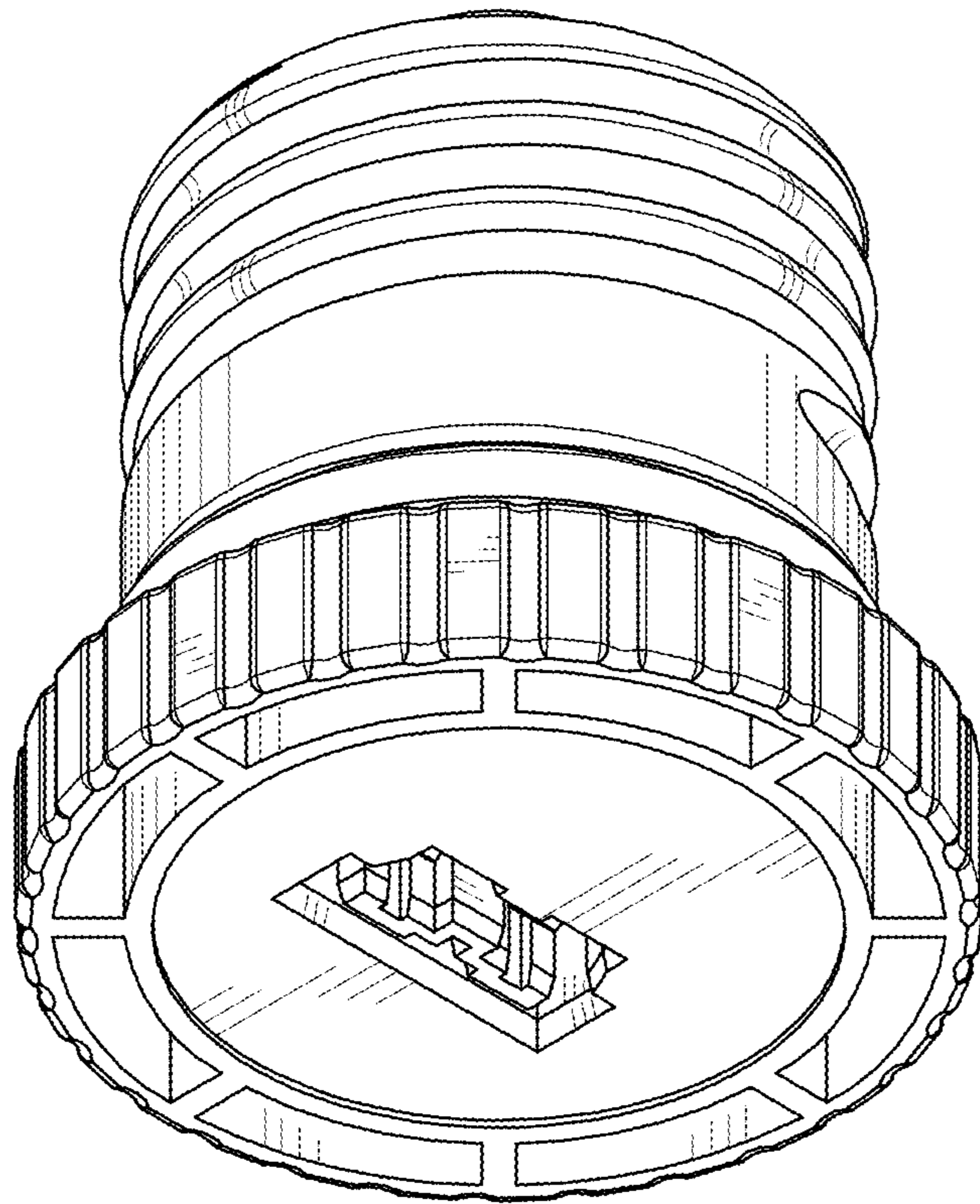


Fig. 8