



US00D924152S

(12) **United States Design Patent** (10) **Patent No.:** **US D924,152 S**
Byrne et al. (45) **Date of Patent:** **** Jul. 6, 2021**

(54) **ELECTRICAL CONNECTOR**

(56) **References Cited**

(71) Applicants: **Norman R. Byrne**, Ada, MI (US);
Shane Rogers, Rockford, MI (US);
Timothy J. Warwick, Sparta, MI (US);
Daniel P. Byrne, Lowell, MI (US);
Marc A. Mitchell, Belmont, MI (US);
Randell E. Pate, Jenison, MI (US)

U.S. PATENT DOCUMENTS

2,170,287 A	8/1939	Kinnebrew	
3,363,214 A	1/1968	Wright	
3,808,577 A	4/1974	Mathauser	
3,810,258 A	5/1974	Mathauser	
3,816,679 A	6/1974	Hotchkiss	
4,112,941 A	9/1978	Larimore	
4,242,657 A	12/1980	Chaillot	
4,544,903 A	10/1985	Grant	
5,015,061 A	5/1991	Giannini	
5,096,434 A	3/1992	Byrne	
5,244,415 A	9/1993	Marsilio et al.	
5,829,987 A	11/1998	Fritsch et al.	
D465,765 S *	11/2002	Zhang	D13/147
D507,779 S	7/2005	Mazzullo et al.	
D508,462 S	8/2005	Mazzullo et al.	
D513,229 S	12/2005	Mazzullo et al.	
D534,497 S	1/2007	Mazzullo et al.	
D546,284 S	7/2007	Weikel et al.	

(72) Inventors: **Norman R. Byrne**, Ada, MI (US);
Shane Rogers, Rockford, MI (US);
Timothy J. Warwick, Sparta, MI (US);
Daniel P. Byrne, Lowell, MI (US);
Marc A. Mitchell, Belmont, MI (US);
Randell E. Pate, Jenison, MI (US)

(**) Term: **15 Years**

(21) Appl. No.: **29/741,394**

(22) Filed: **Jul. 13, 2020**

Related U.S. Application Data

(62) Division of application No. 29/607,301, filed on Jun. 12, 2017, now Pat. No. Des. 890,098.

(51) **LOC (13) Cl.** **13-03**

(52) **U.S. Cl.**
USPC **D13/133**

(58) **Field of Classification Search**
USPC D13/110, 112, 118, 120, 123, 133, 146,
D13/147, 149, 154, 173, 184, 199
CPC H01R 13/00; H01R 13/04; H01R 13/11;
H01R 13/113; H01R 13/44; H01R 13/62;
H01R 13/6205; H01R 13/627; H01R
13/6273; H01R 13/64; H01R 13/641;
H01R 13/648; H01R 24/00; H01R 25/00
See application file for complete search history.

(Continued)

Primary Examiner — Shawn T Gingrich

(74) *Attorney, Agent, or Firm* — Gardner, Linn, Burkhardt & Ondersma LLP

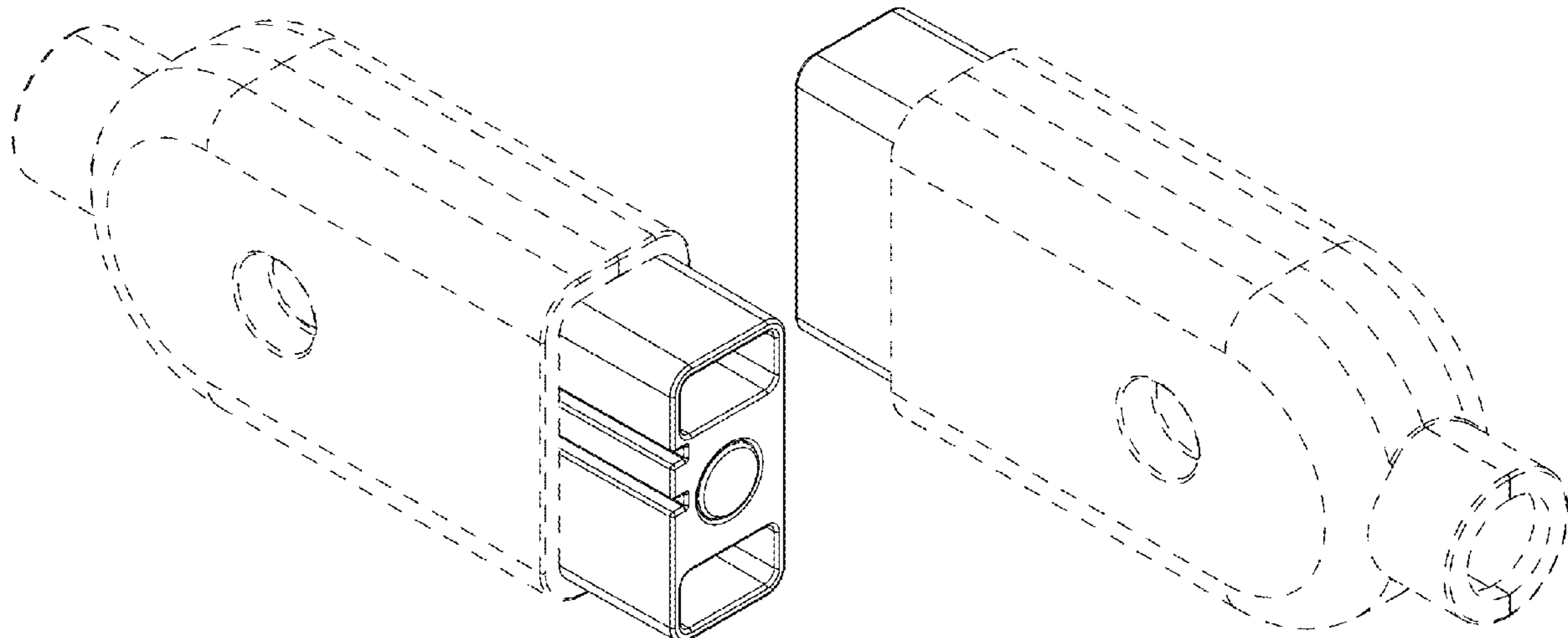
(57) **CLAIM**

The ornamental design for an electrical connector, as shown and described.

DESCRIPTION

FIG. 1 is a front perspective view of an electrical connector showing our new design;
FIG. 2 is a rear perspective view thereof;
FIG. 3 is a top plan view thereof;
FIG. 4 is a bottom plan view thereof;
FIG. 5 is a right side elevation thereof;
FIG. 6 is a left side elevation thereof;
FIG. 7 is a rear elevation thereof; and,
FIG. 8 is a front elevation thereof.
In the drawings, the broken lines depict portions of the electrical connector that form no part of the claimed design.

1 Claim, 2 Drawing Sheets



(56)

References Cited

U.S. PATENT DOCUMENTS

7,311,526 B2	12/2007	Rohrbach et al.	9,225,126 B2	12/2015	Janfada et al.
7,329,128 B1	2/2008	Awad	D748,581 S	2/2016	Chen
7,331,793 B2	2/2008	Hernandez et al.	9,431,182 B2	8/2016	Kim et al.
7,351,066 B2	4/2008	DiFonzo et al.	9,531,118 B2	12/2016	Byrne et al.
D601,502 S	10/2009	Miyatake et al.	D779,492 S	2/2017	Lin
7,645,143 B2	1/2010	Rohrbach et al.	D788,707 S	6/2017	Griepenstroh et al.
D617,279 S	6/2010	Lee et al.	D824,332 S	7/2018	Ackerman
7,771,202 B2	8/2010	Amotz	10,027,059 B2	7/2018	Byrne et al.
7,901,216 B2	3/2011	Rohrbach et al.	D830,298 S	10/2018	Bailey et al.
7,909,638 B2	3/2011	Seo et al.	10,381,782 B2	8/2019	Byrne et al.
7,963,799 B1 *	6/2011	Lee H01R 13/6582	D859,309 S *	9/2019	Zhang D13/133
		439/607.23	D864,119 S *	10/2019	Abe D13/146
D648,273 S	11/2011	Spilker et al.	D890,098 S *	7/2020	Byrne D13/133
D648,274 S	11/2011	Spilker et al.	2007/0207655 A1 *	9/2007	Su H01R 13/6658
8,087,939 B2	1/2012	Rohrbach et al.			439/260
D671,496 S	11/2012	Byrne	2011/0159706 A1	6/2011	Wu
8,398,409 B2	3/2013	Schmidt	2011/0217880 A1	9/2011	Schmidt et al.
8,435,042 B2	5/2013	Rohrbach et al.	2014/0120746 A1	5/2014	Persion et al.
D686,163 S	7/2013	Byrne	2015/0180170 A1 *	6/2015	Yu H01R 13/112
8,602,795 B2	12/2013	Hsu			439/357
8,690,582 B2	4/2014	Rohrbach et al.	2015/0357753 A1	12/2015	Lee
9,077,105 B2	7/2015	Kim	2016/0336695 A1	11/2016	Janfada et al.
9,083,110 B2	7/2015	McClelland	2017/0214183 A1 *	7/2017	Fukuhara H01R 13/641
9,147,965 B2	9/2015	Lee	2017/0317446 A1 *	11/2017	Byrne H01R 11/30
			2017/0331218 A1 *	11/2017	Chang H01R 13/518
			2018/0358749 A1 *	12/2018	Byrne H01R 13/641
			2020/0036142 A1 *	1/2020	Pogash H01R 13/74

* cited by examiner

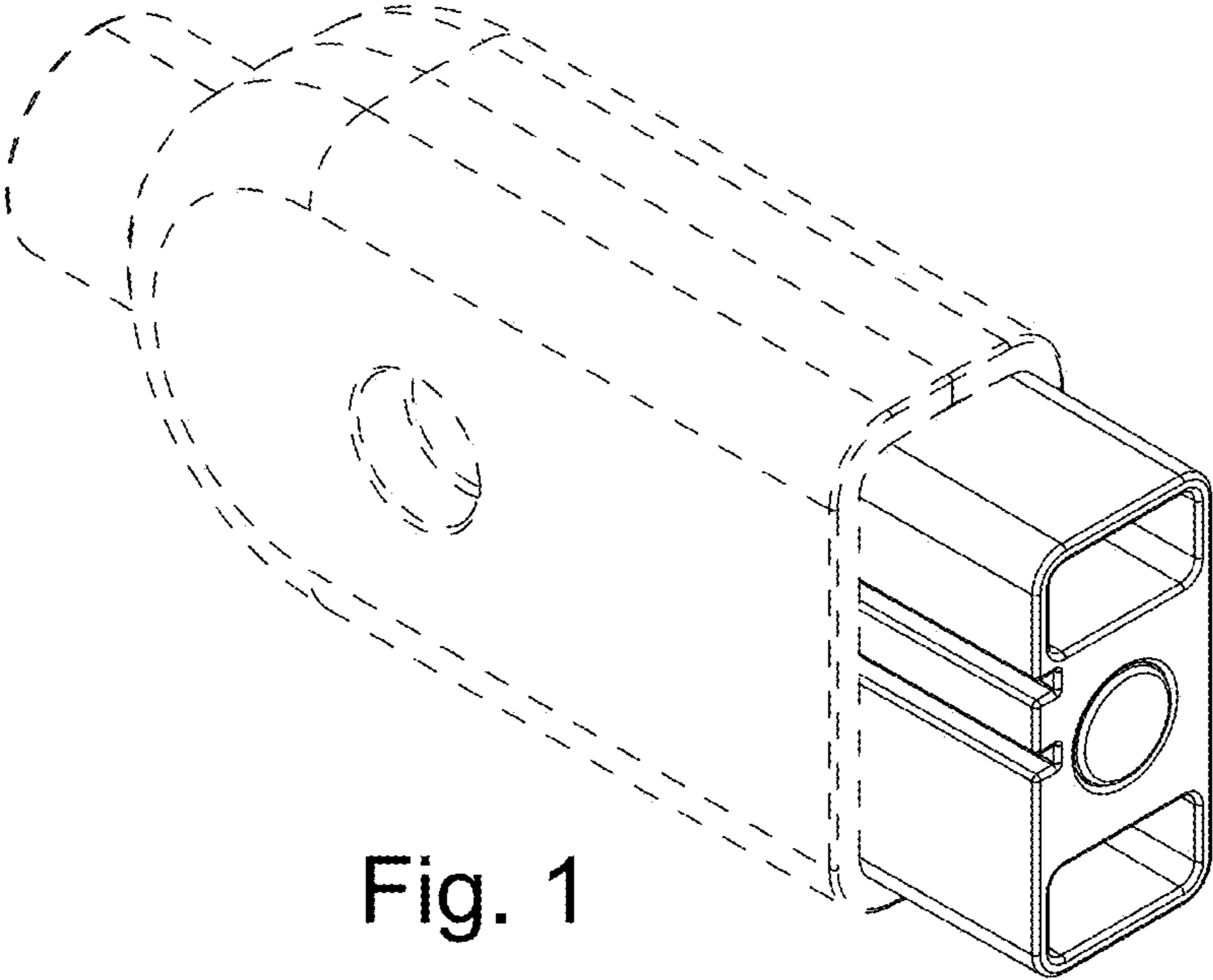


Fig. 1

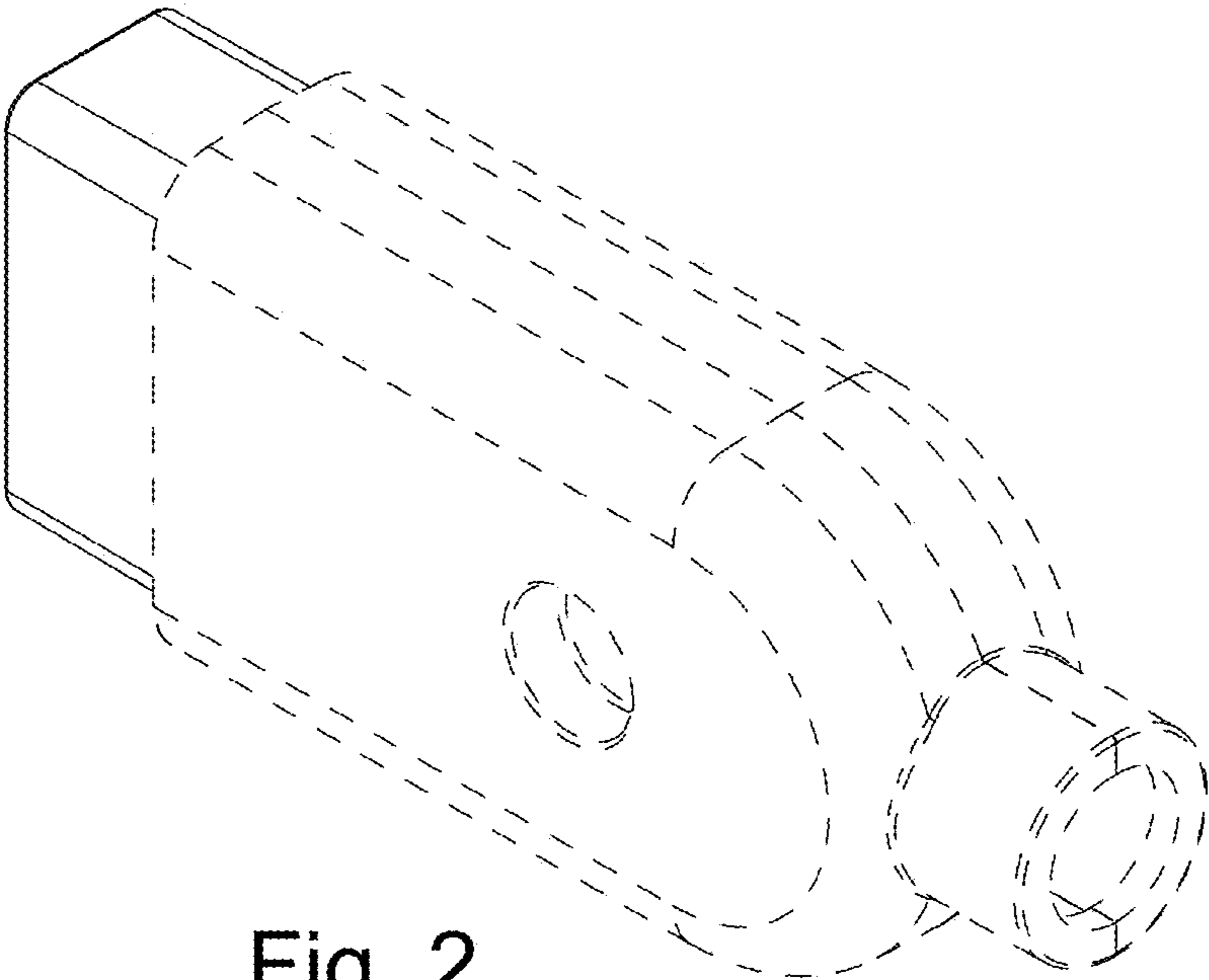


Fig. 2

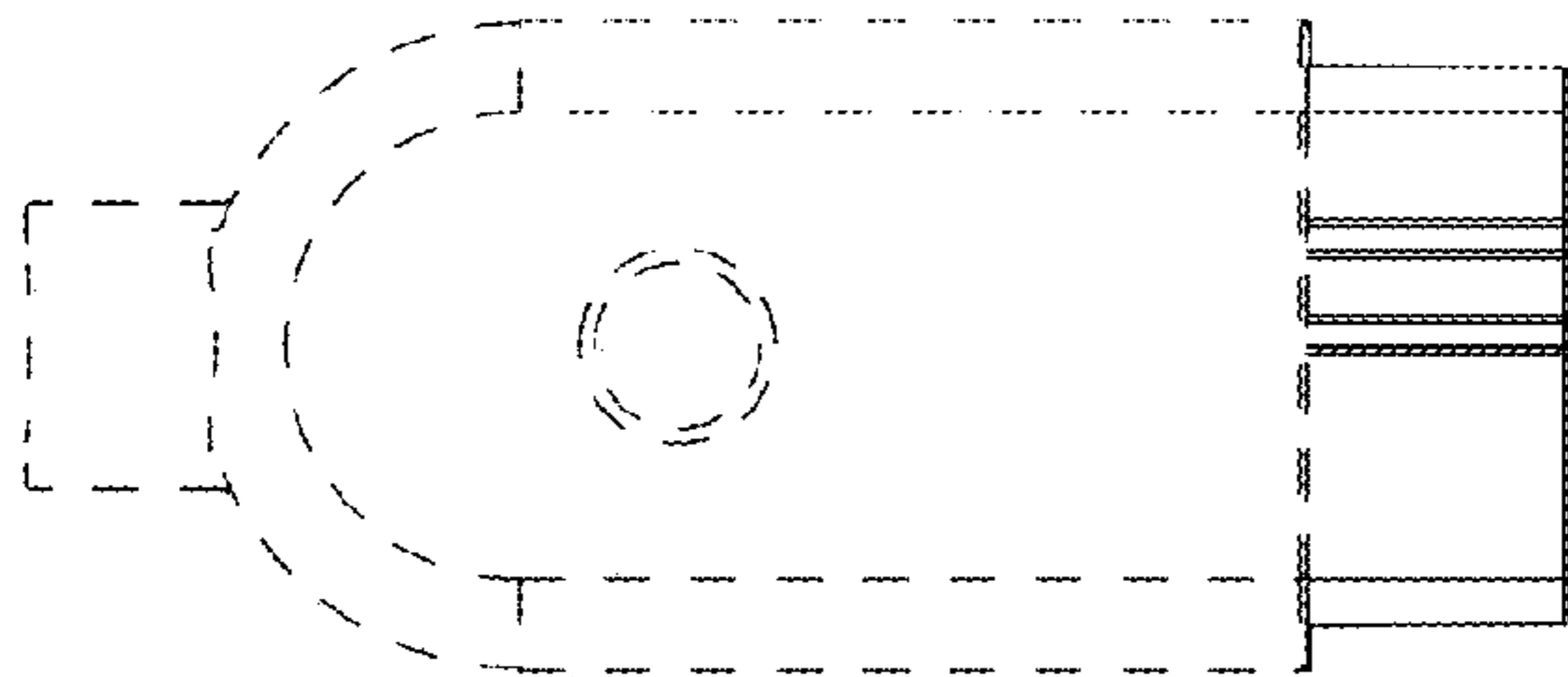


Fig. 3

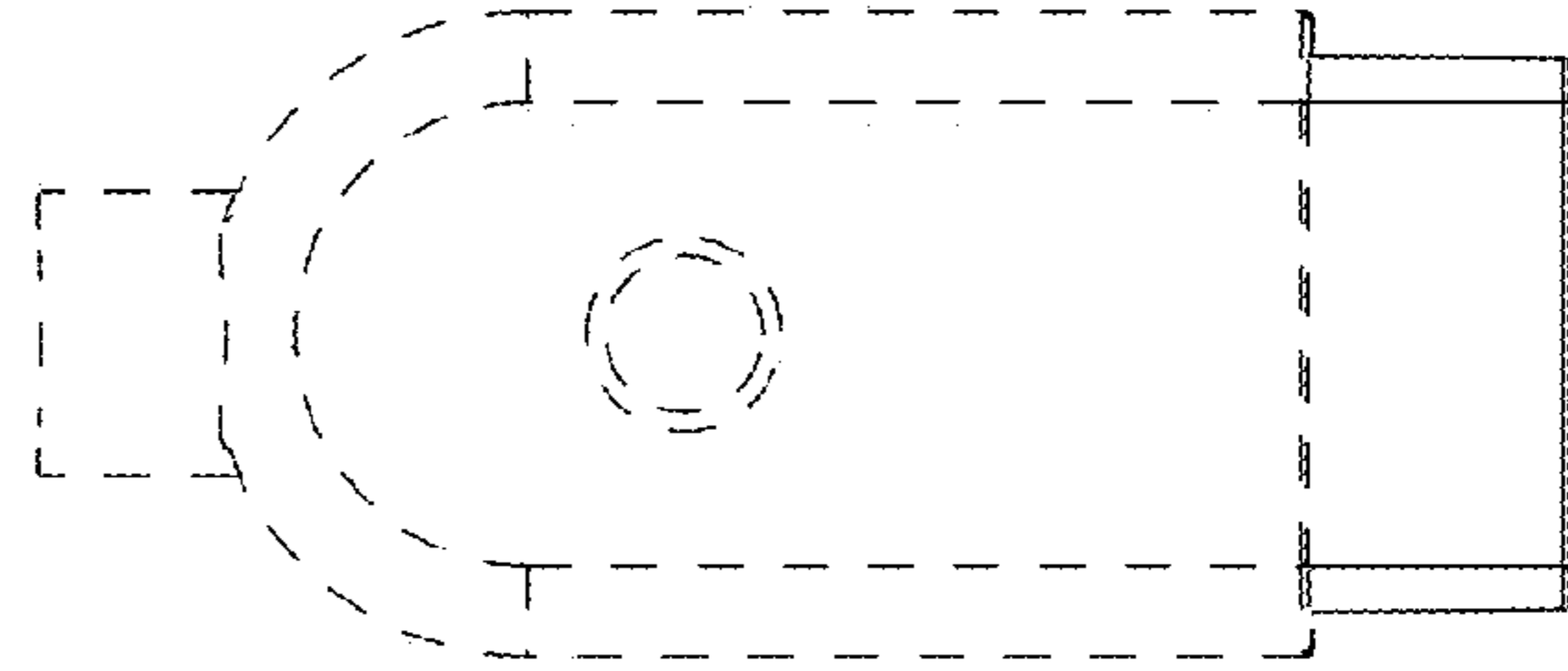


Fig. 4

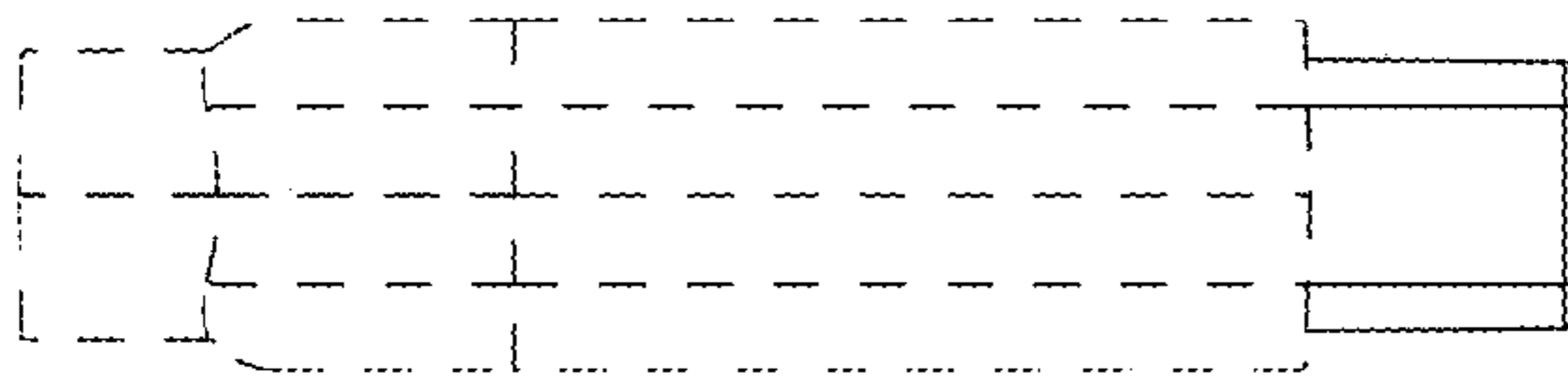


Fig. 5

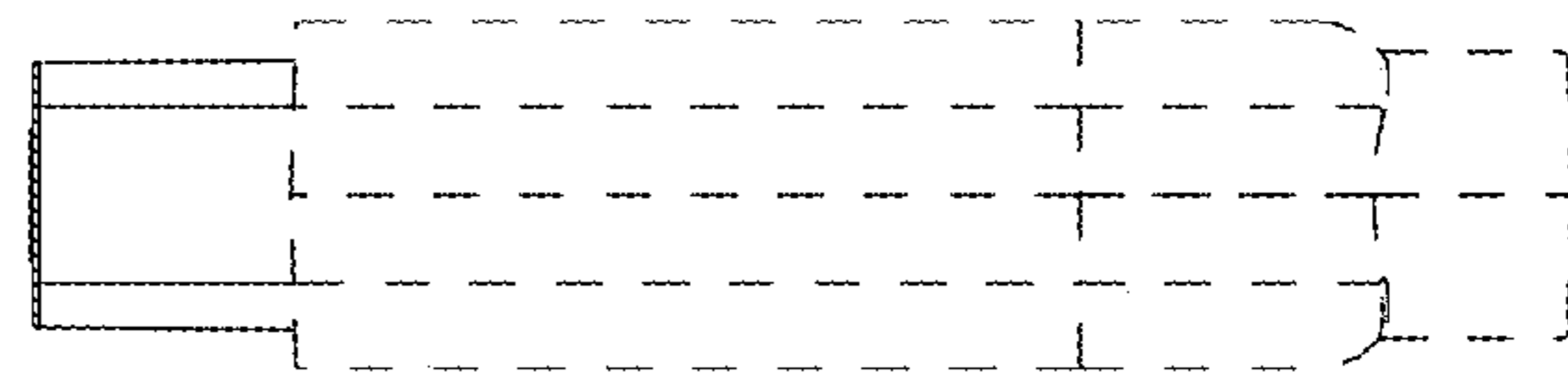


Fig. 6

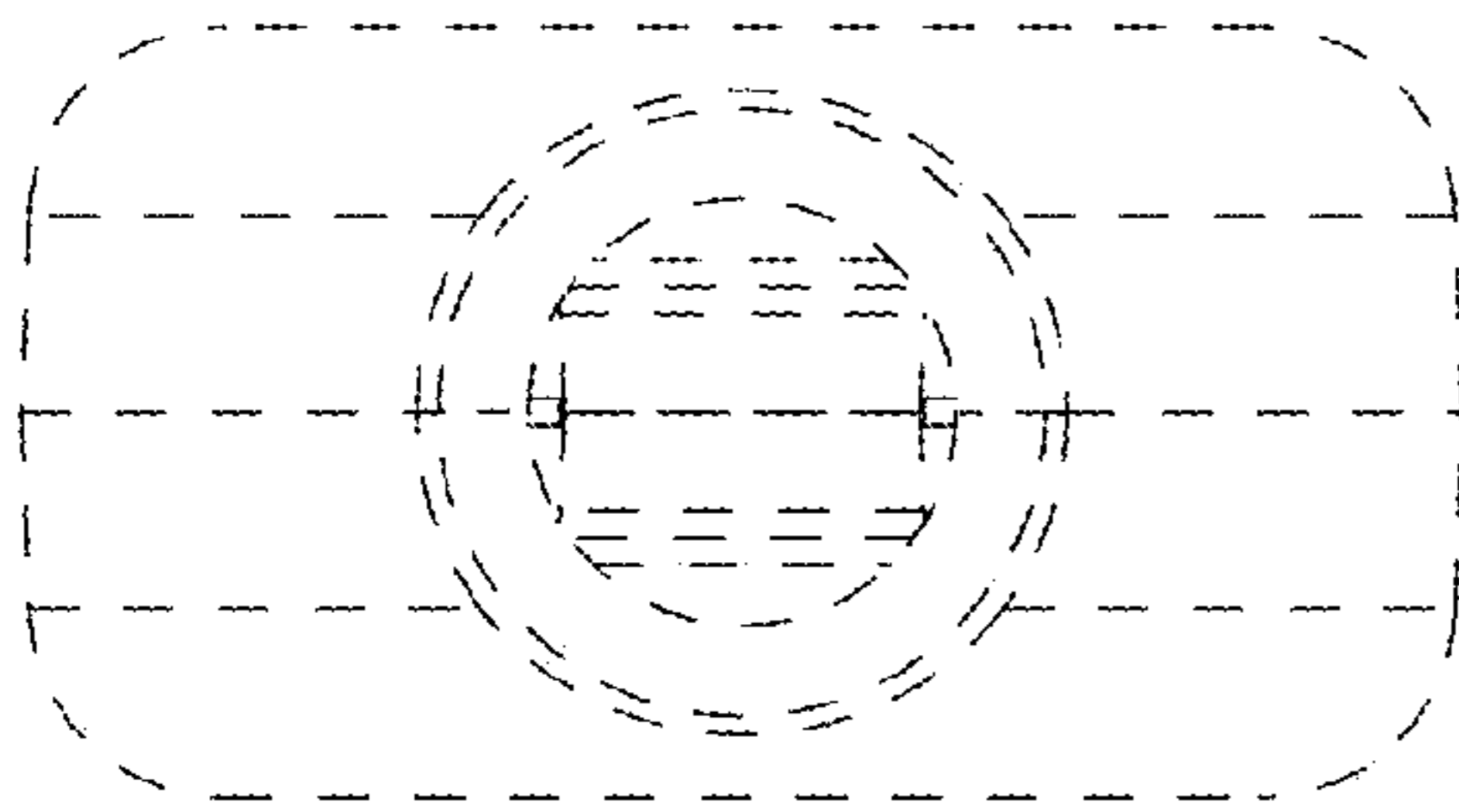


Fig. 7

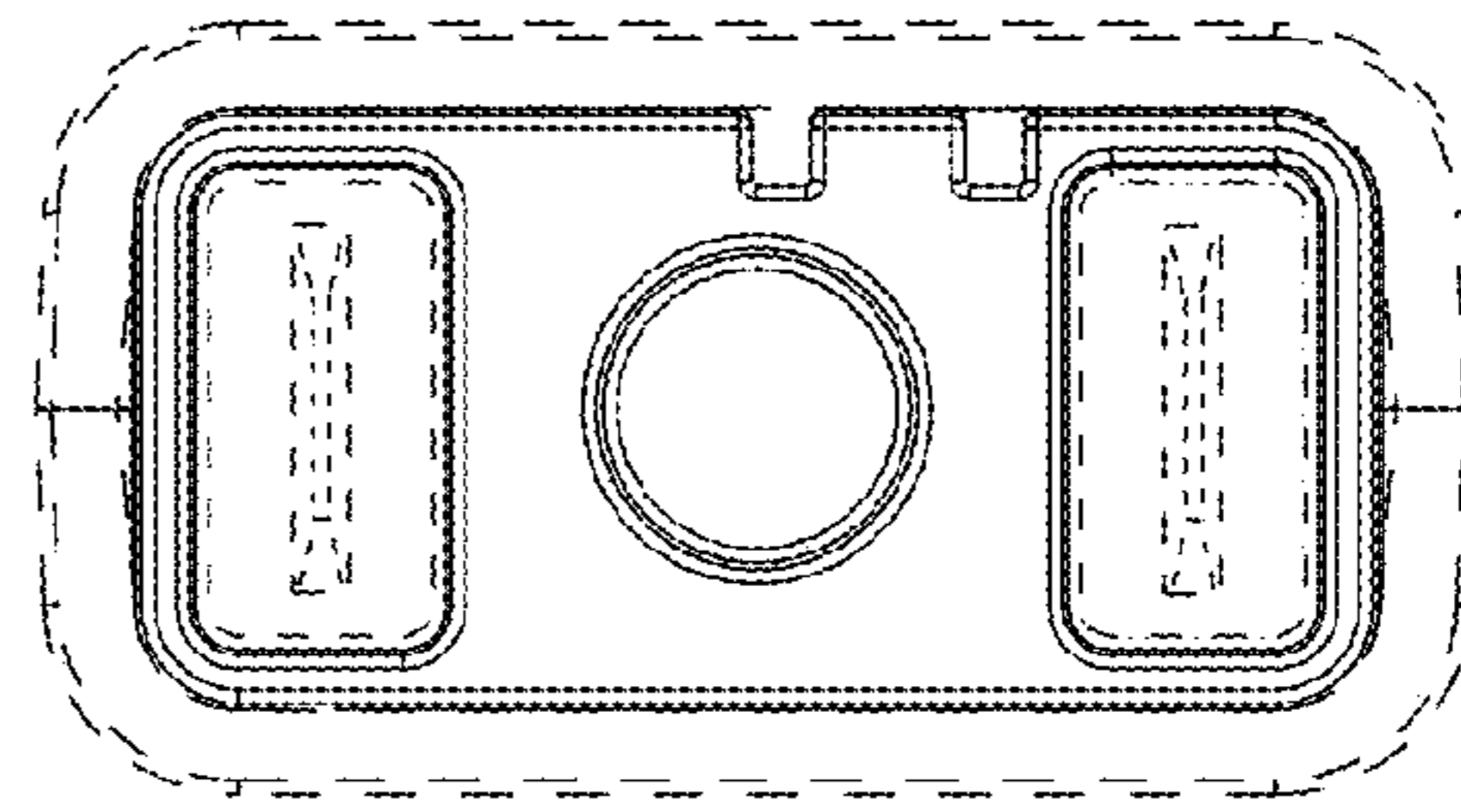


Fig. 8