



US00D924150S

(12) **United States Design Patent** (10) **Patent No.:** **US D924,150 S**
Ganamukhi et al. (45) **Date of Patent:** **** Jul. 6, 2021**

(54) **CONNECTOR** D605,138 S * 12/2009 Sogo D13/154
 8,764,497 B2 * 7/2014 Fehling H01R 13/05
 439/862
 (71) Applicant: **Molex, LLC**, Lisle, IL (US) D847,761 S 5/2019 Bhagyanathan Sathianathan
 et al.
 (72) Inventors: **Ishwarappa Ganamukhi**, Bangalore D867,292 S * 11/2019 Fukuyama D13/133
 (IN); **KrishnaPrasad Darbal** D868,695 S * 12/2019 Fukuyama D13/133
Somanath, Bangalore (IN); **Pierre** D899,237 S * 10/2020 Peck D8/382
Perez, Aurora, IL (US) 2003/0171040 A1 * 9/2003 Lei H01R 13/193
 439/752.5

(73) Assignee: **Molex, LLC**, Lisle, IL (US) (Continued)

(**) Term: **15 Years**

FOREIGN PATENT DOCUMENTS

(21) Appl. No.: **29/714,785**
 (22) Filed: **Nov. 26, 2019**
 (51) **LOC (13) Cl.** **13-03**
 (52) **U.S. Cl.**
 USPC **D13/133; D13/154**
 (58) **Field of Classification Search**
 USPC D13/103, 110, 118–120, 123, 133, 146,
 D13/147, 154, 173, 174, 178, 184, 199
 CPC ... H01R 4/10; H01R 4/18; H01R 4/20; H01R
 4/48; H01R 12/00; H01R 12/71; H01R
 12/75; H01R 13/00; H01R 13/05; H01R
 13/62; H01R 13/627
 See application file for complete search history.

CN 305119815 4/2019
 JP D1511013 11/2014
 TW D192839 9/2018

Primary Examiner — Angela J Lee
Assistant Examiner — Shawn T Gingrich
 (74) *Attorney, Agent, or Firm* — Banner & Witcoff, Ltd.

(56) **References Cited**

U.S. PATENT DOCUMENTS

4,533,187 A * 8/1985 Kirkman H05K 7/1038
 439/736
 5,833,480 A * 11/1998 Austin H01R 4/64
 439/95
 D464,323 S * 10/2002 Harasawa D13/133
 D516,039 S * 2/2006 Lei D13/154
 D516,521 S * 3/2006 Yao D13/154
 D517,019 S * 3/2006 Yao D13/154
 D555,092 S * 11/2007 Li D13/133
 D556,132 S * 11/2007 Takizawa D13/133
 D568,245 S * 5/2008 Kudo D13/133
 D592,150 S * 5/2009 Ogata D13/154
 D605,137 S * 12/2009 Yu D13/154

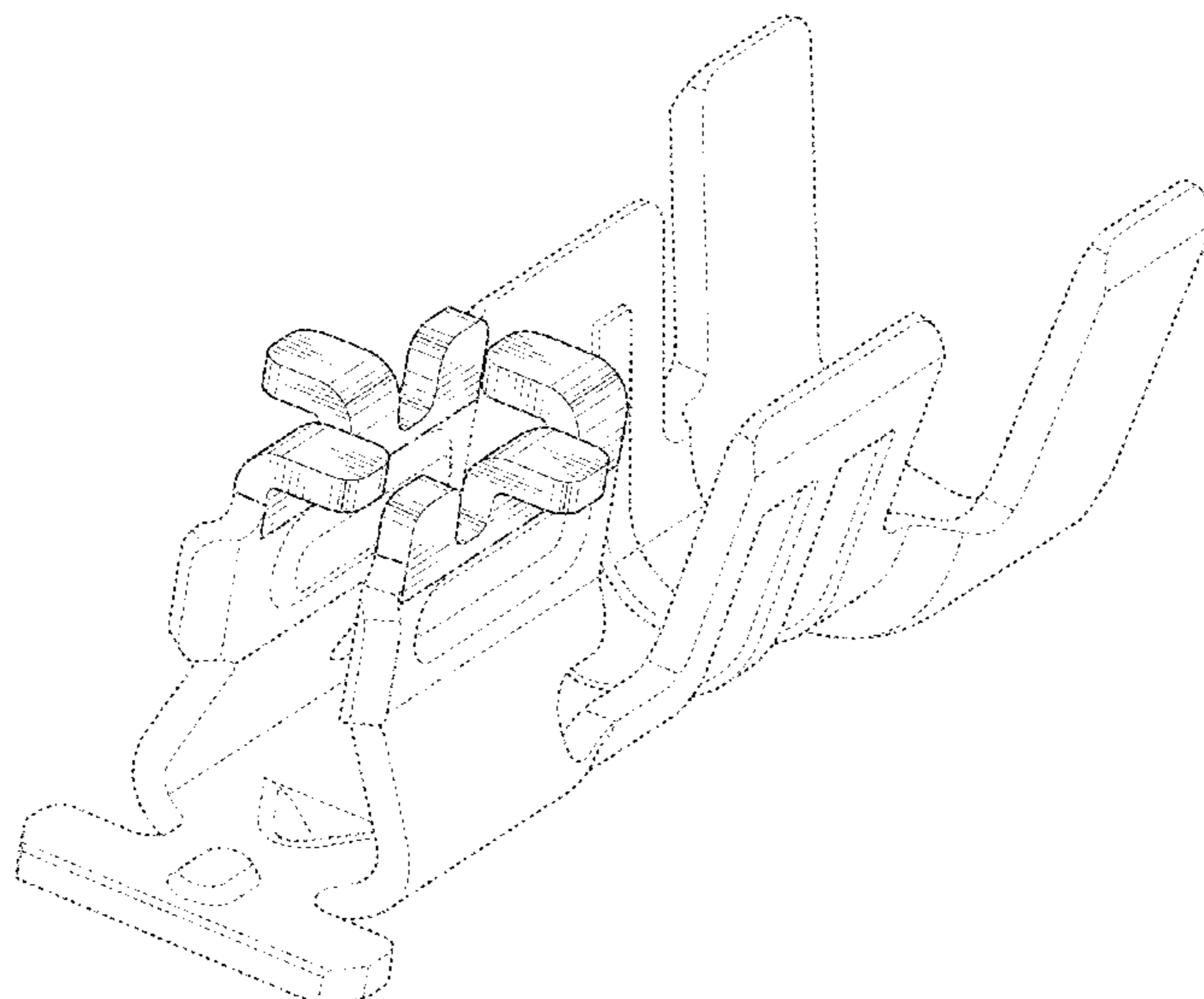
(57) **CLAIM**

The ornamental design for a connector, as shown and described.

DESCRIPTION

FIG. 1 is a front left perspective view of a connector showing our new design;
 FIG. 2 is a front right perspective view thereof;
 FIG. 3 is a front view thereof;
 FIG. 4 is a rear view thereof;
 FIG. 5 is a top view thereof;
 FIG. 6 is a bottom view thereof;
 FIG. 7 is a left side view thereof; and,
 FIG. 8 is a right side view thereof.
 The uneven-length broken lines immediately adjacent to the shaded area represent the bounds of the claimed design and form no part thereof. The even-length broken lines depicting the remainder of the connector form no part of the claimed design.

1 Claim, 8 Drawing Sheets



(56)

References Cited

U.S. PATENT DOCUMENTS

2008/0090473 A1* 4/2008 Katano H01R 13/113
439/816
2010/0087102 A1* 4/2010 Szu H01R 12/57
439/741
2014/0242817 A1* 8/2014 Mongold H01R 13/428
439/83
2015/0229054 A1* 8/2015 Fukushima H01R 13/44
439/891
2016/0359251 A1* 12/2016 Drosbeke H01R 13/113
2019/0014676 A1* 1/2019 Nakamura F16B 2/245

* cited by examiner

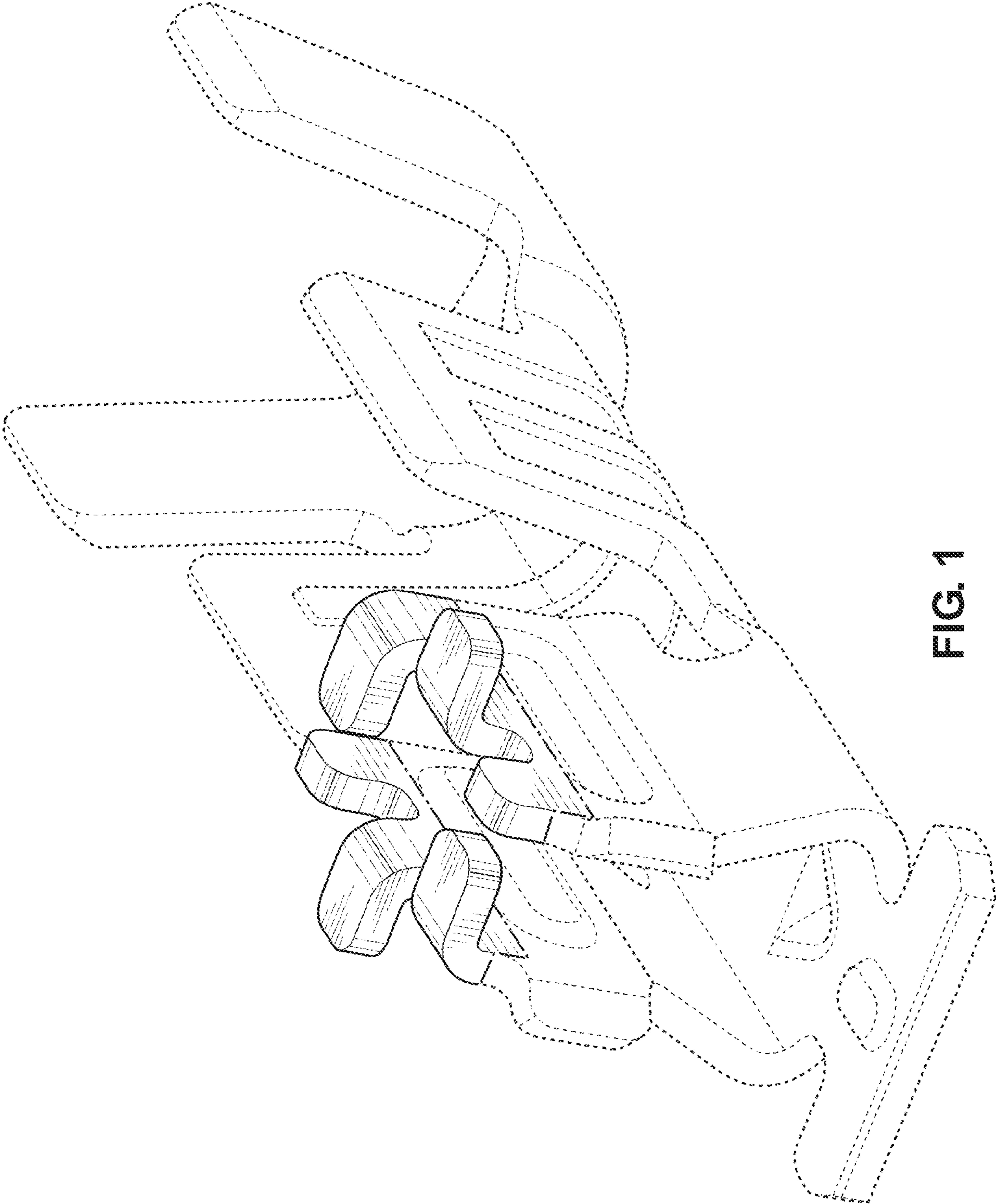


FIG. 1

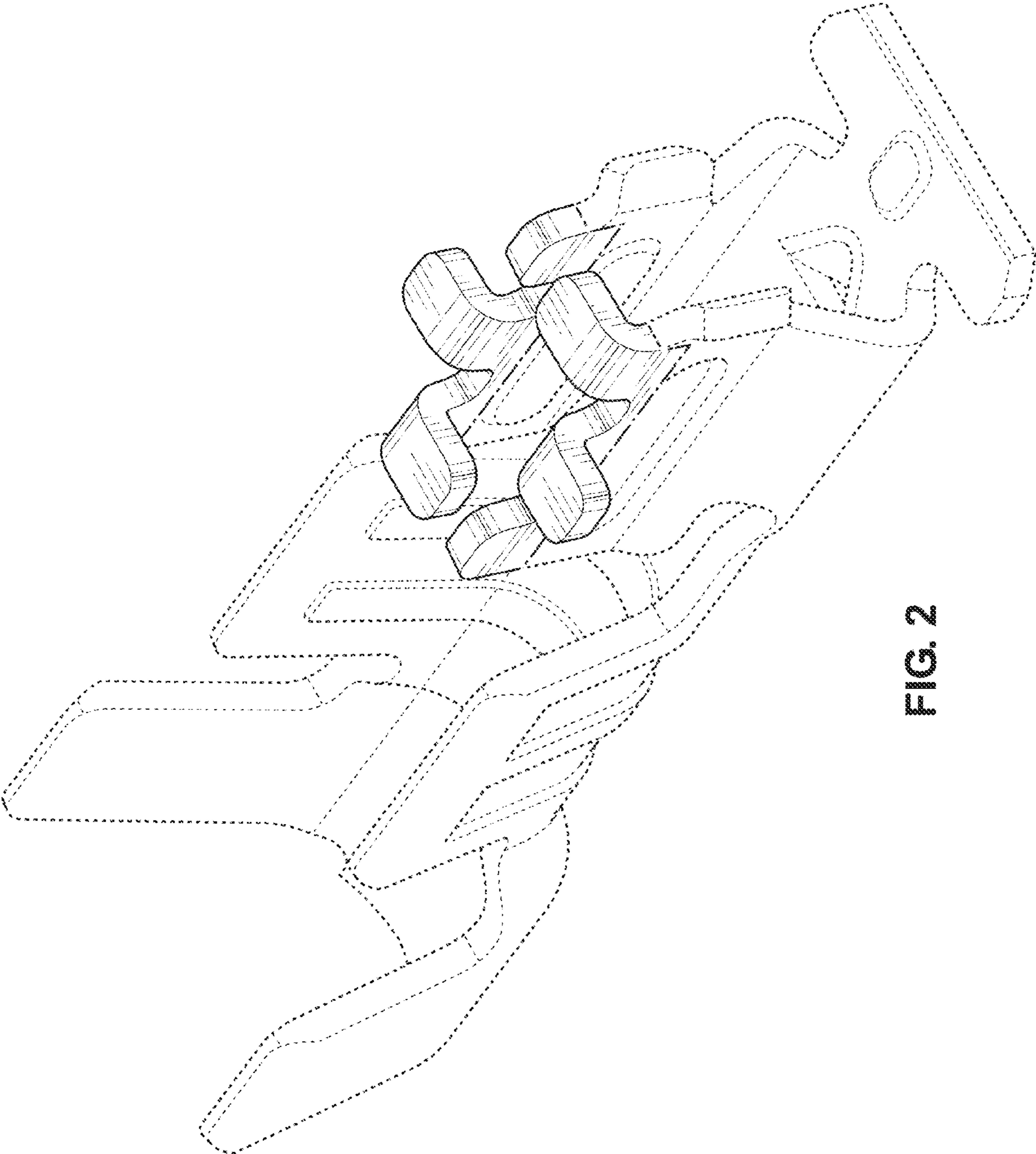


FIG. 2

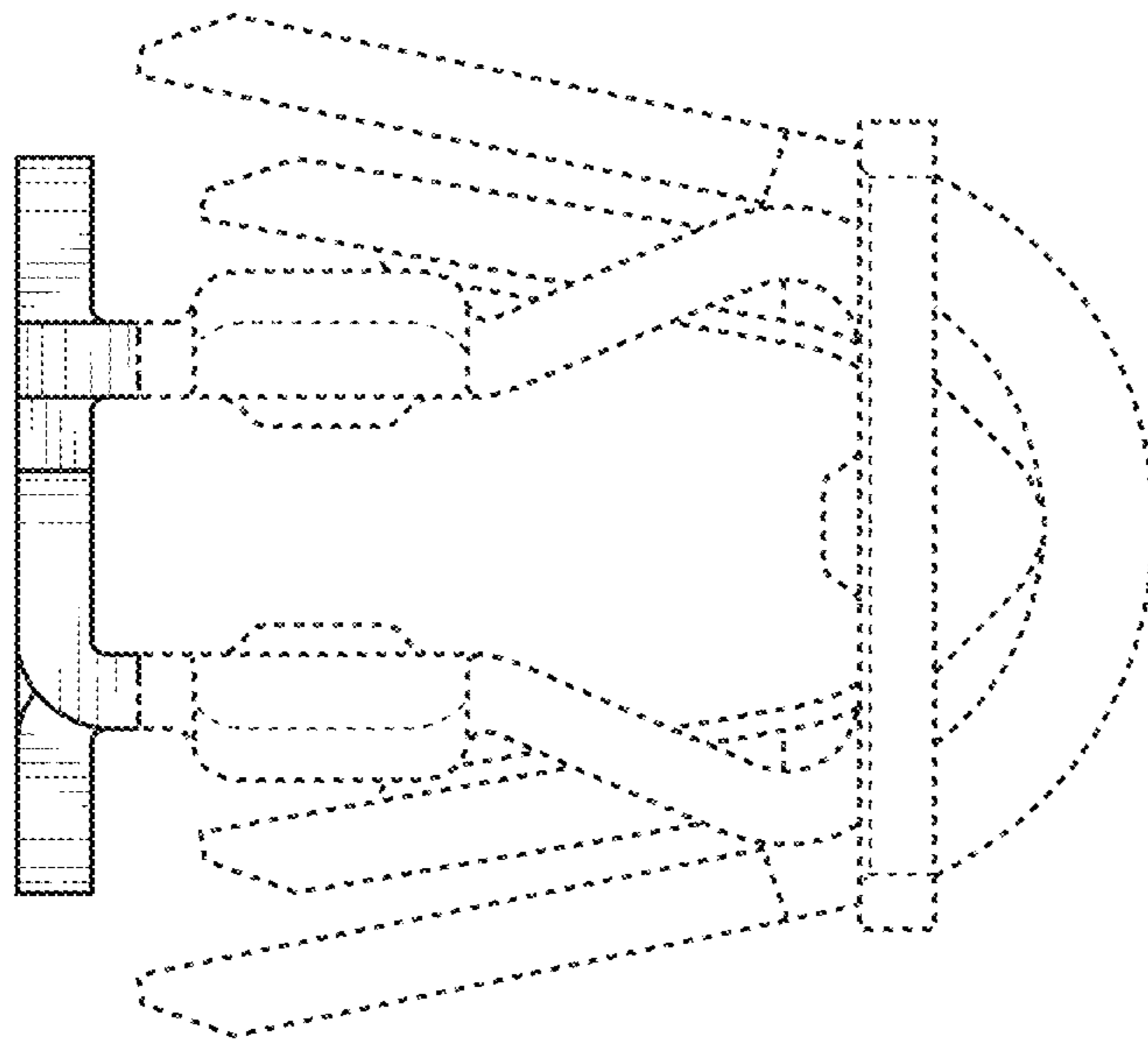


FIG. 3

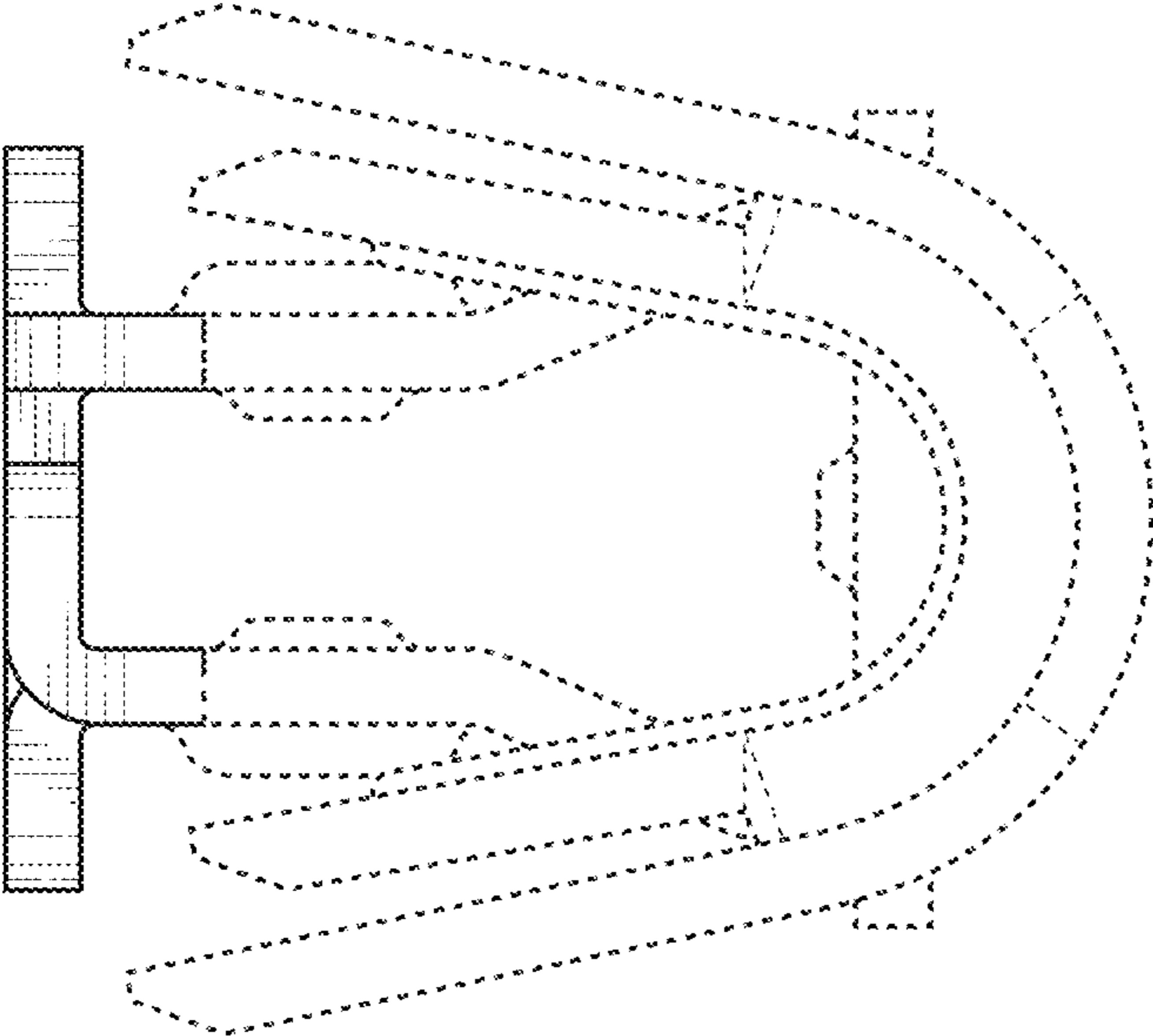


FIG. 4

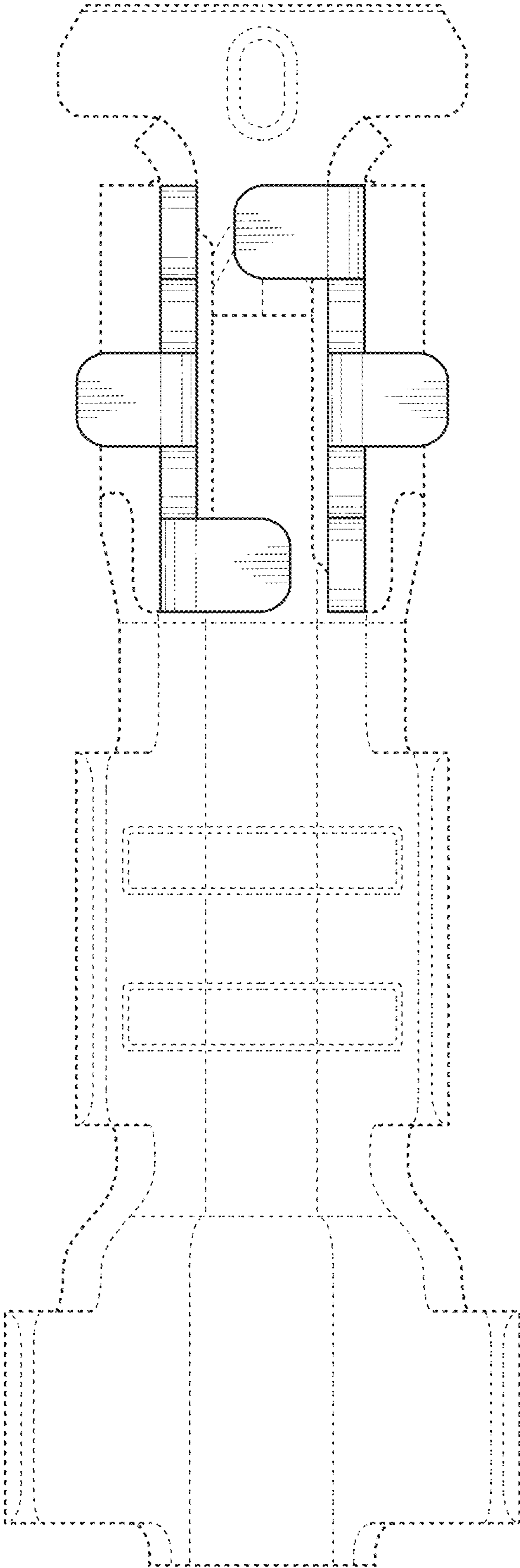


FIG. 5

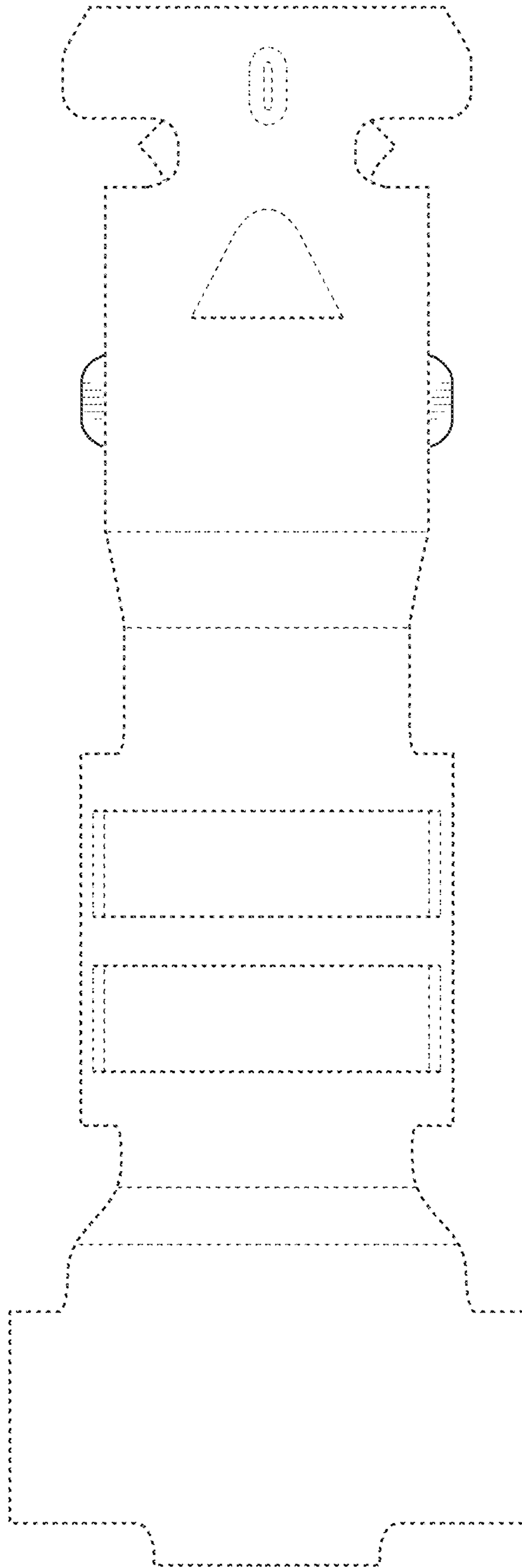


FIG. 6

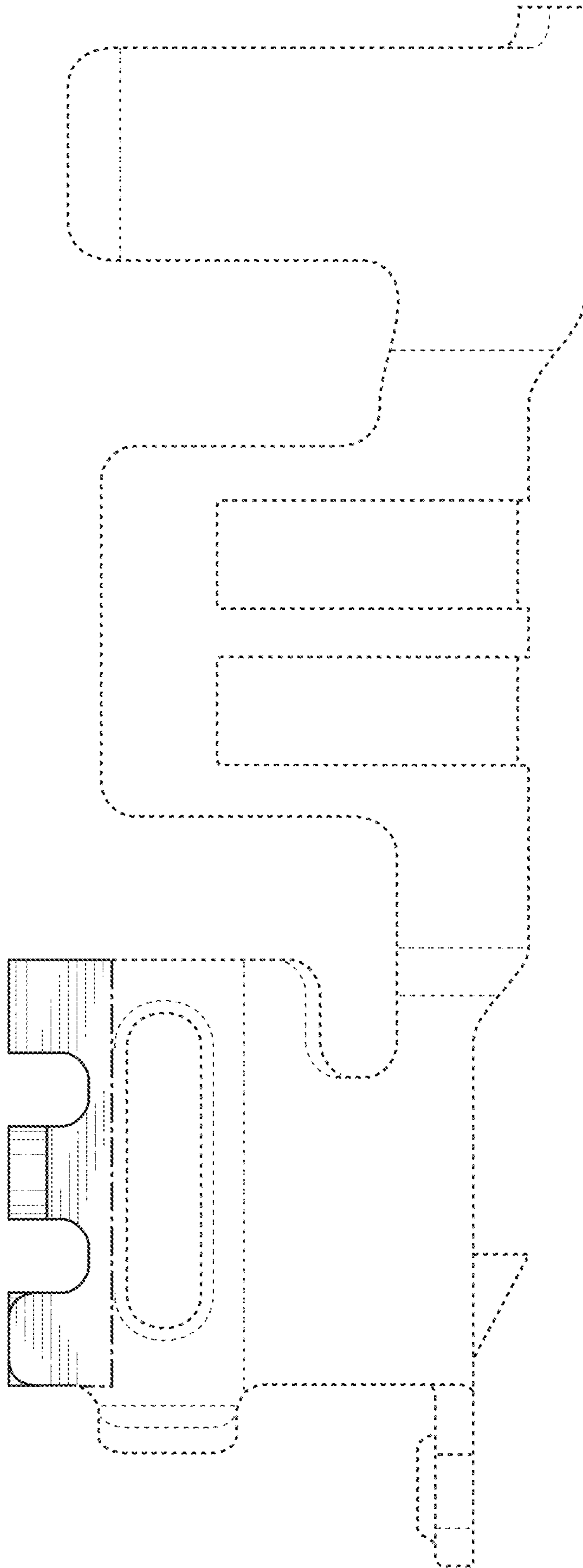


FIG. 7

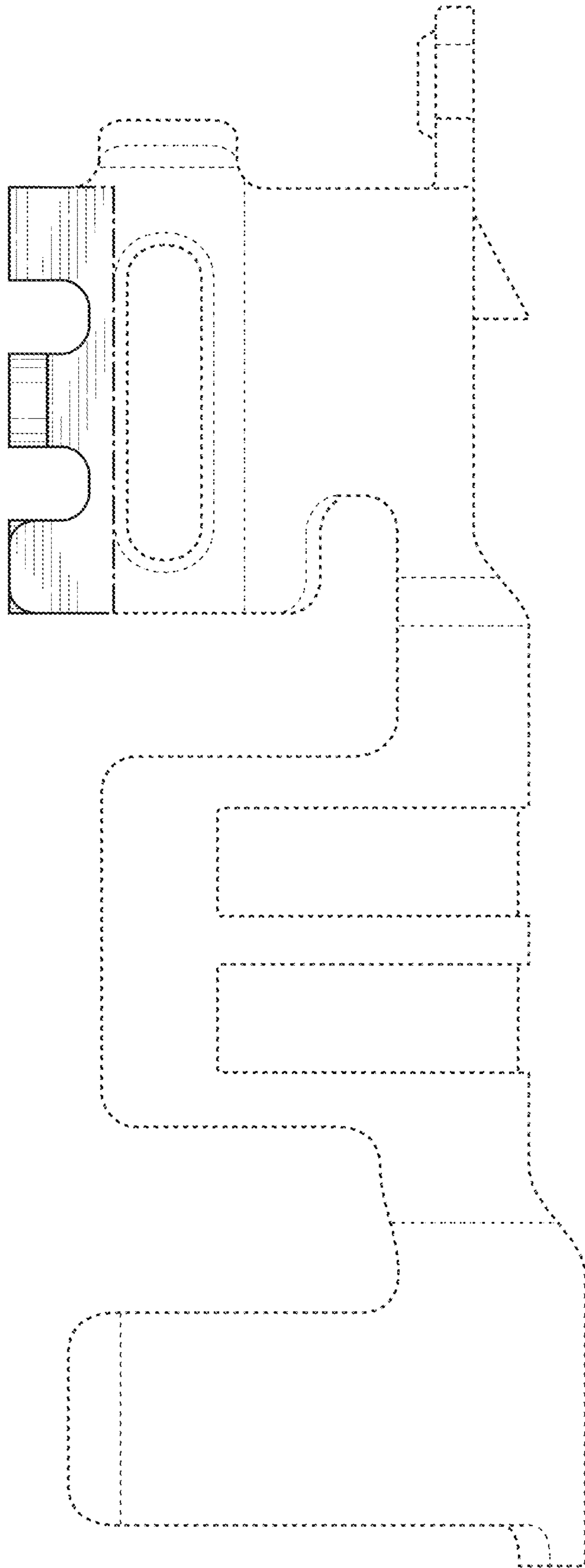


FIG. 8