



US00D924149S

(12) **United States Design Patent** (10) **Patent No.:** **US D924,149 S**  
**Ganamukhi et al.** (45) **Date of Patent:** **\*\* Jul. 6, 2021**

(54) **CONNECTOR**  
(71) Applicant: **Molex, LLC**, Lisle, IL (US)  
(72) Inventors: **Ishwarappa Ganamukhi**, Bangalore (IN); **KrishnaPrasad Darbal Somanath**, Bangalore (IN); **Pierre Perez**, Aurora, IL (US)  
(73) Assignee: **Molex, LLC**, Lisle, IL (US)  
(\*\*) Term: **15 Years**

D847,761 S 5/2019 Sathianathan et al.  
D858,443 S \* 9/2019 Huang ..... D13/133  
D868,695 S \* 12/2019 Fukuyama ..... D13/133  
D876,360 S \* 2/2020 Obata ..... D13/133  
2008/0090473 A1\* 4/2008 Katano ..... H01R 13/113  
439/816  
2014/0235118 A1\* 8/2014 Bleicher ..... H01R 13/113  
439/878  
2015/0111443 A1\* 4/2015 Gutenschwager ..... H01R 43/16  
439/884  
2015/0180166 A1\* 6/2015 Wu ..... H01R 13/11  
439/485

(Continued)

(21) Appl. No.: **29/714,783**  
(22) Filed: **Nov. 26, 2019**  
(51) **LOC (13) Cl.** ..... **13-03**  
(52) **U.S. Cl.**  
USPC ..... **D13/133; D13/154**  
(58) **Field of Classification Search**  
USPC ..... D13/103, 110, 118-120, 123, 133, 146,  
D13/147, 154, 173, 174, 178, 184, 199  
CPC ... H01R 4/10; H01R 4/18; H01R 4/20; H01R  
4/48; H01R 12/00; H01R 12/71; H01R  
12/75; H01R 13/00; H01R 13/05; H01R  
13/62; H01R 13/627  
See application file for complete search history.

FOREIGN PATENT DOCUMENTS

CN 305119815 4/2019  
JP D1511013 11/2014  
TW D192839 9/2018

Primary Examiner — Shawn T Gingrich  
(74) Attorney, Agent, or Firm — Banner & Witcoff, Ltd.

(57) **CLAIM**

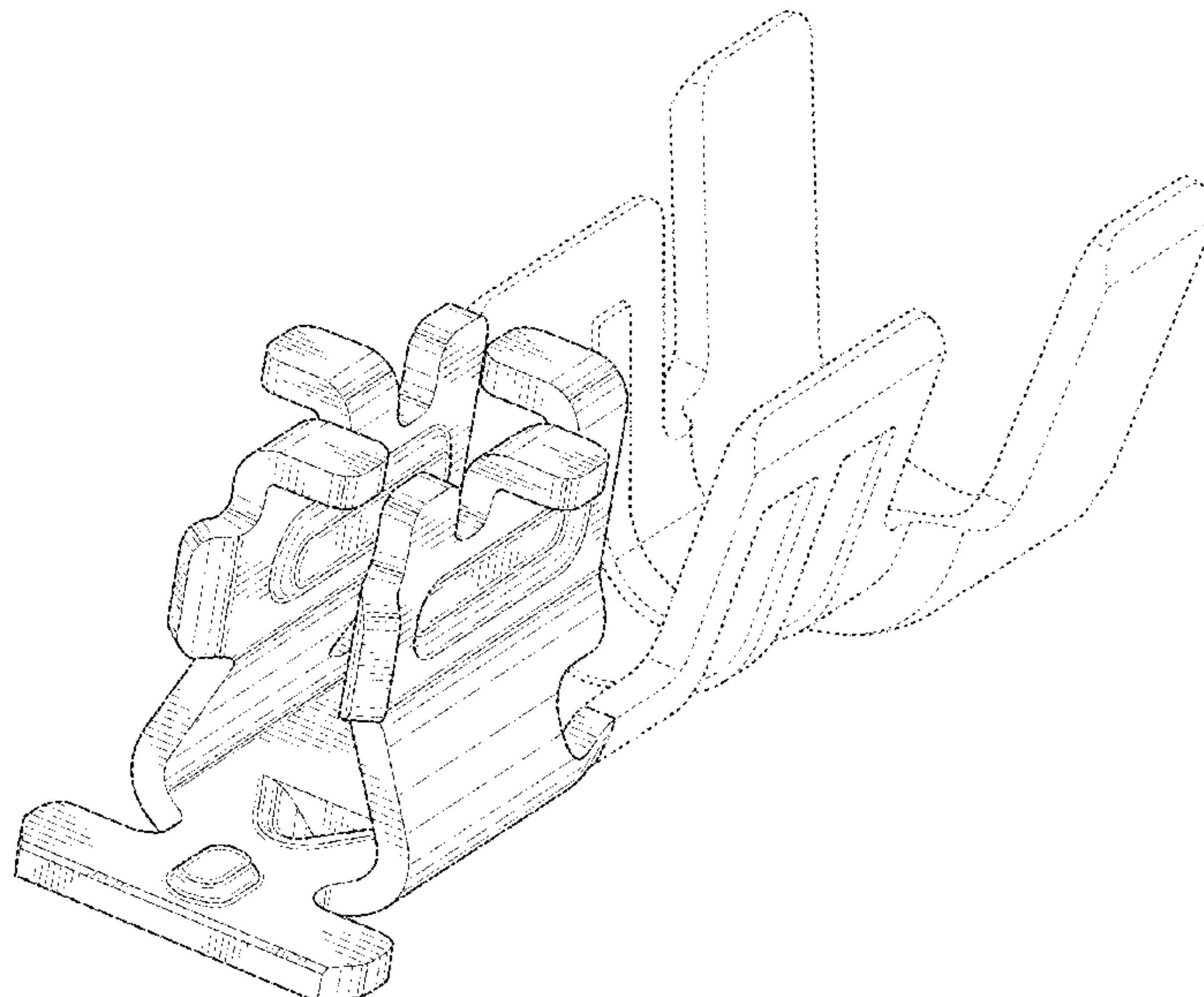
The ornamental design for a connector, as shown and described.

**DESCRIPTION**

FIG. 1 is a front top perspective view of a connector showing our new design;  
FIG. 2 is a rear bottom perspective view thereof;  
FIG. 3 is a front view thereof;  
FIG. 4 is a rear view thereof;  
FIG. 5 is a top view thereof;  
FIG. 6 is a bottom view thereof;  
FIG. 7 is a left side view thereof; and,  
FIG. 8 is a right side view thereof.  
The uneven-length broken lines immediately adjacent to the shaded area forms no part of the claimed design. The even-length broken lines depicting the remainder of the connector form no part of the claimed design.

(56) **References Cited**  
U.S. PATENT DOCUMENTS  
D269,778 S \* 7/1983 McGregor ..... D13/149  
D457,136 S \* 5/2002 Hayashi ..... D13/133  
D494,545 S \* 8/2004 Kuroda ..... D13/154  
D516,521 S \* 3/2006 Yao ..... D13/154  
D517,019 S \* 3/2006 Yao ..... D13/154  
D568,245 S \* 5/2008 Kudo ..... D13/133  
D592,150 S \* 5/2009 Ogata ..... D13/154  
D605,138 S \* 12/2009 Sogo ..... D13/154  
D621,368 S \* 8/2010 Lee ..... D13/154  
D665,360 S \* 8/2012 Gieski ..... D13/154  
D724,543 S \* 3/2015 Chen ..... D13/154  
D781,239 S \* 3/2017 Ikeda ..... D13/154

**1 Claim, 8 Drawing Sheets**



(56)

**References Cited**

U.S. PATENT DOCUMENTS

2016/0359251 A1\* 12/2016 Dreesbeke ..... H01R 13/113  
2020/0328536 A1\* 10/2020 Brandt ..... H01R 4/185

\* cited by examiner

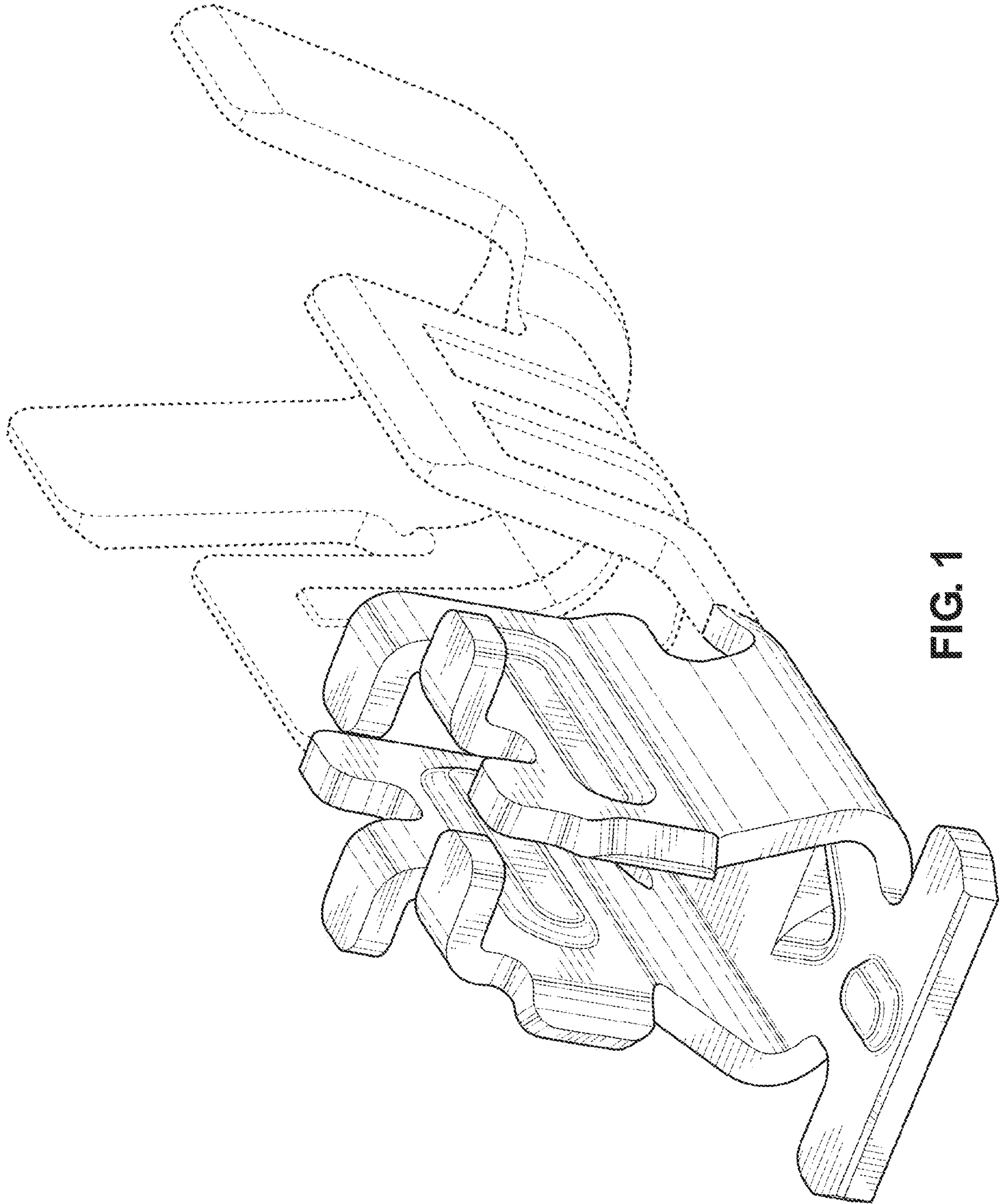


FIG. 1

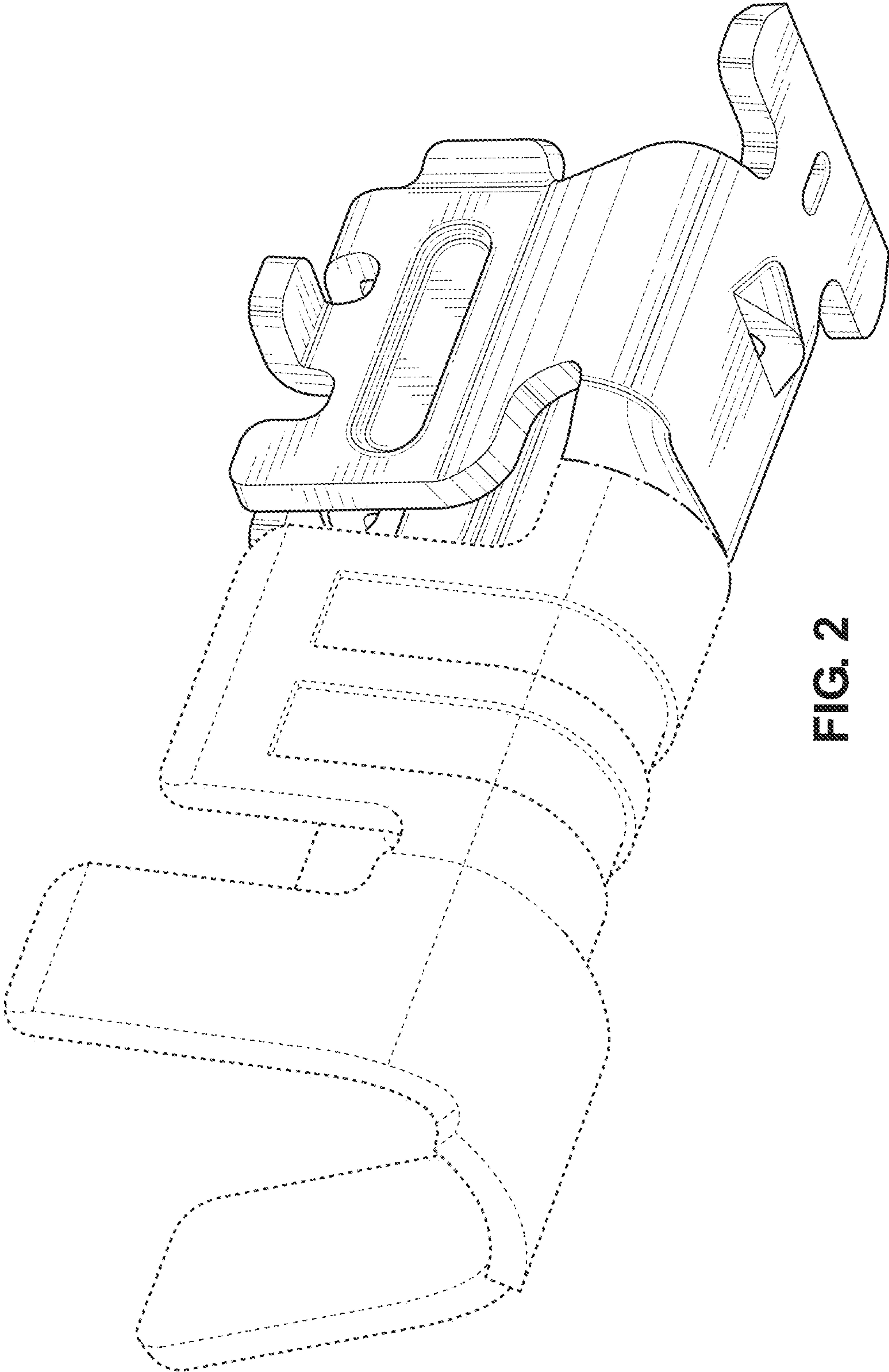


FIG. 2



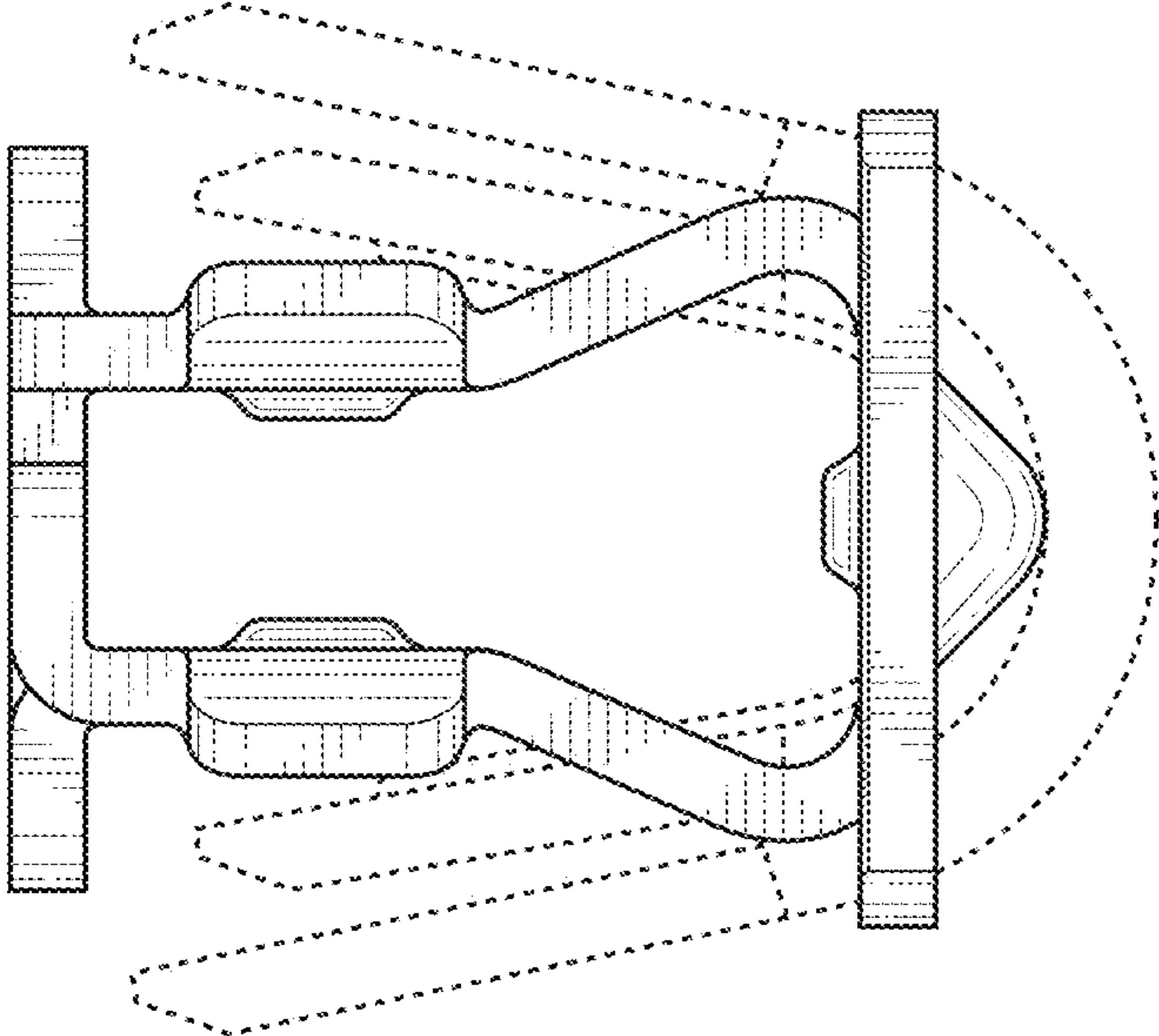


FIG. 3

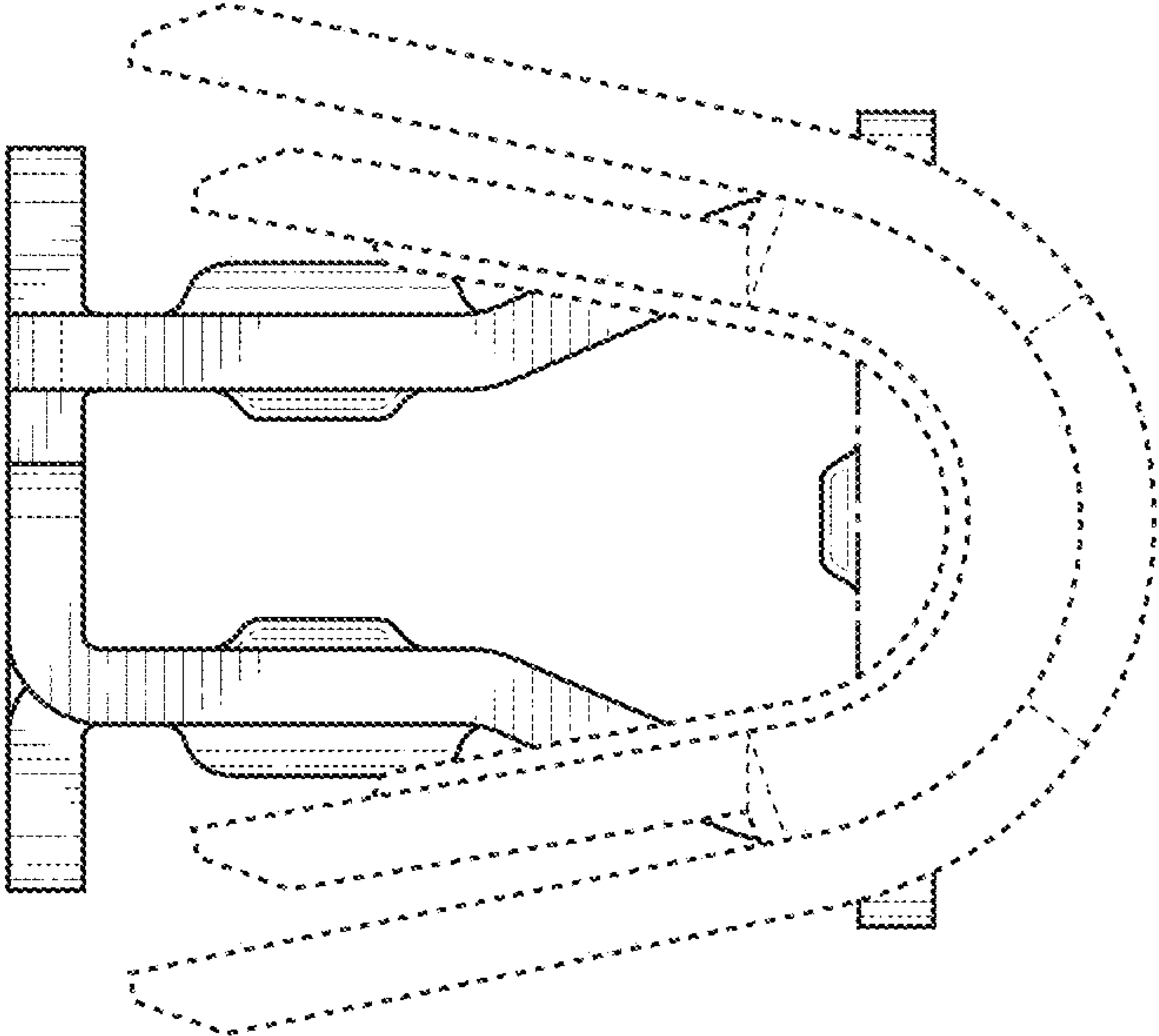


FIG. 4

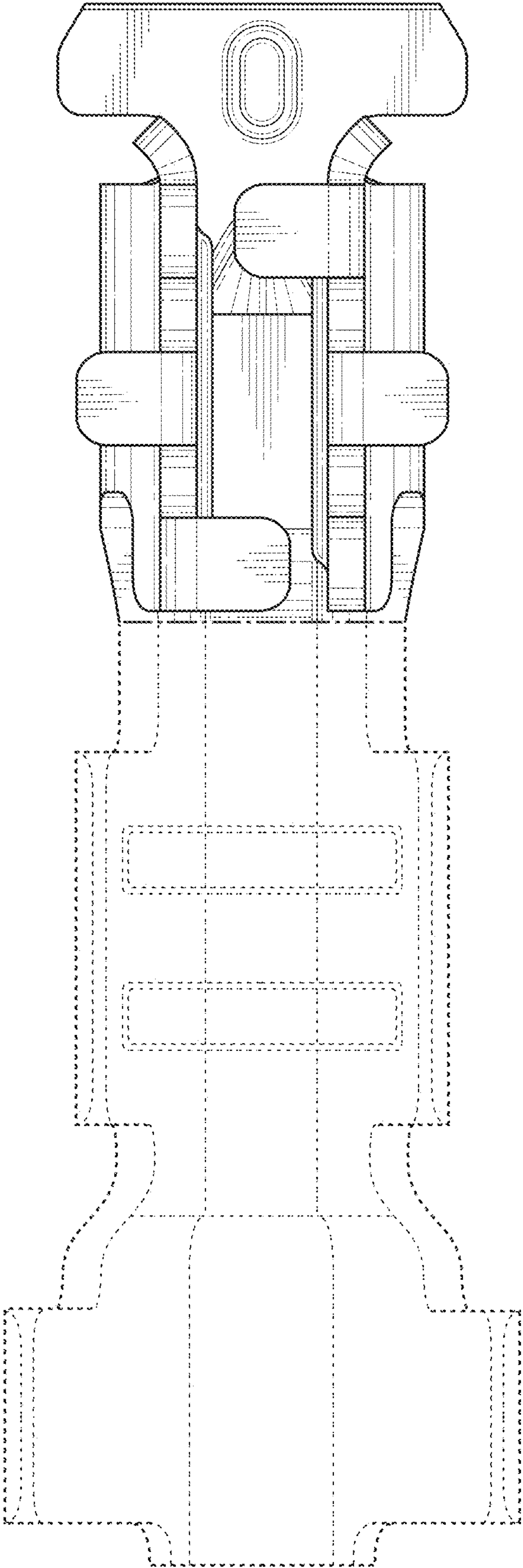


FIG. 5

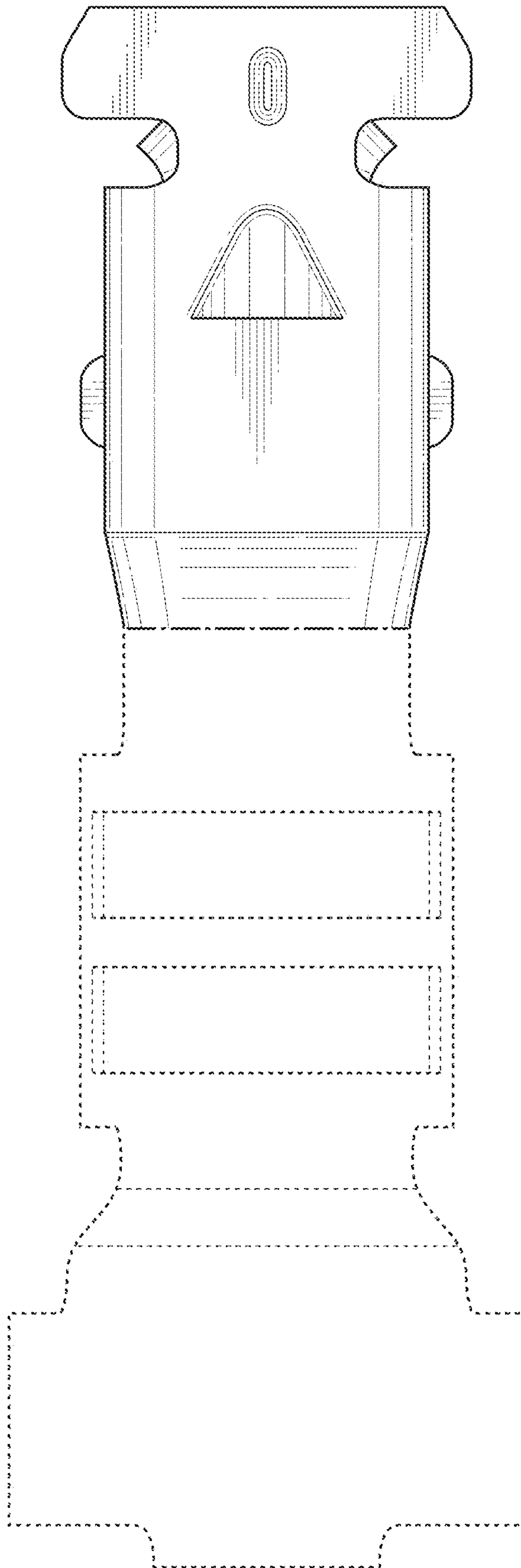


FIG. 6



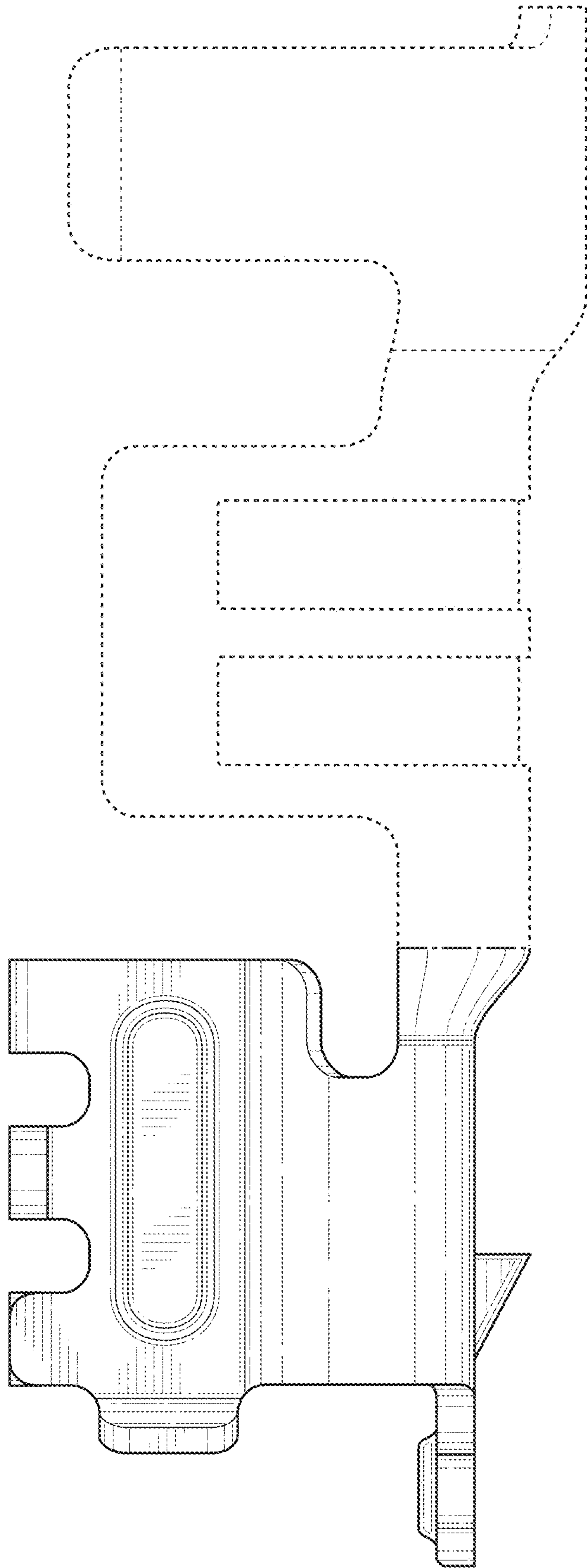


FIG. 7

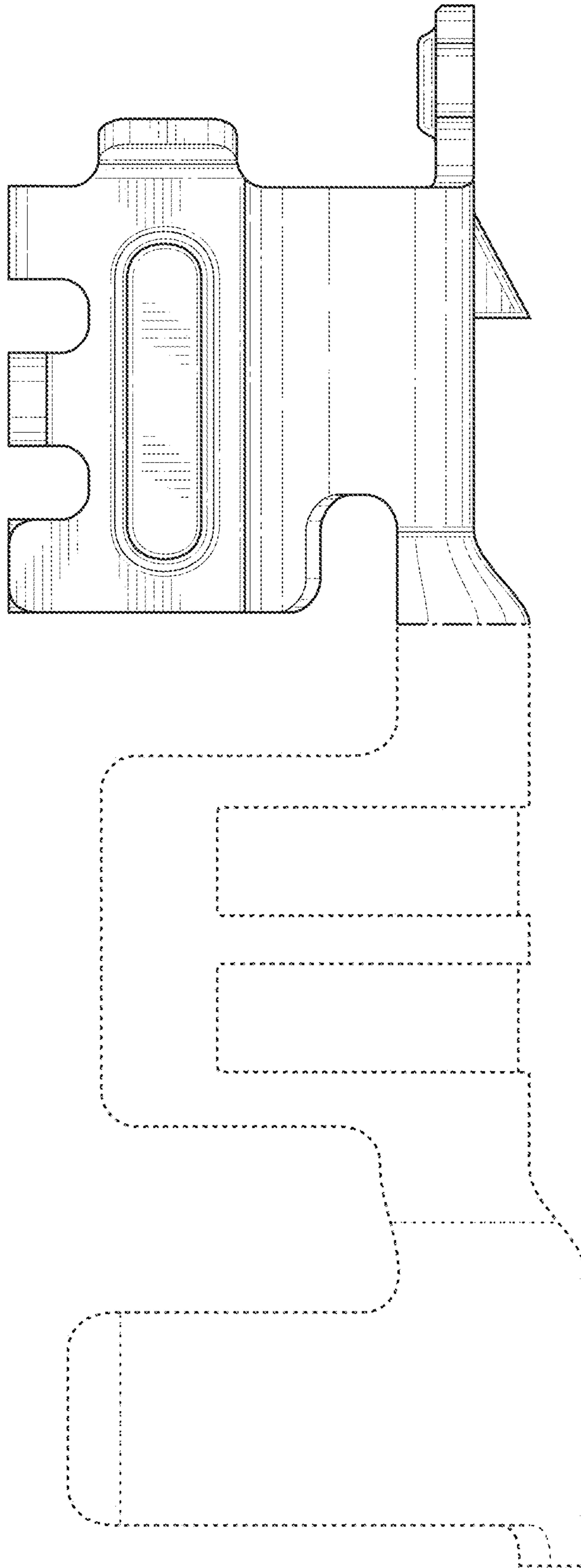


FIG. 8