



US00D924147S

(12) **United States Design Patent** (10) **Patent No.:** **US D924,147 S**
C et al. (45) **Date of Patent:** **** Jul. 6, 2021**

(54) **CONNECTOR**

(71) Applicant: **Molex, LLC**, Lisle, IL (US)

(72) Inventors: **Krishnamurthy C**, Bangalore (IN);
Harsha Thyagaraj, Bangalore (IN);
Pierre Perez, Aurora, IL (US)

(73) Assignee: **Molex, LLC**, Lisle, IL (US)

(**) Term: **15 Years**

(21) Appl. No.: **29/700,187**

(22) Filed: **Jul. 31, 2019**

(51) **LOC (13) Cl.** **13-03**

(52) **U.S. Cl.**
USPC **D13/133; D13/147**

(58) **Field of Classification Search**
USPC D13/110, 118, 120, 133, 146, 147, 153,
D13/154; D14/433, 435

(Continued)

(56) **References Cited**

U.S. PATENT DOCUMENTS

3,432,802 A * 3/1969 Douglas H01R 13/506
439/465
5,658,156 A * 8/1997 Henderson H01R 12/716
439/79

(Continued)

FOREIGN PATENT DOCUMENTS

TW D170820 10/2015
TW D172196 12/2015

(Continued)

Primary Examiner — Brandon M Rosati

(74) *Attorney, Agent, or Firm* — Banner & Witcoff, Ltd.

(57) **CLAIM**

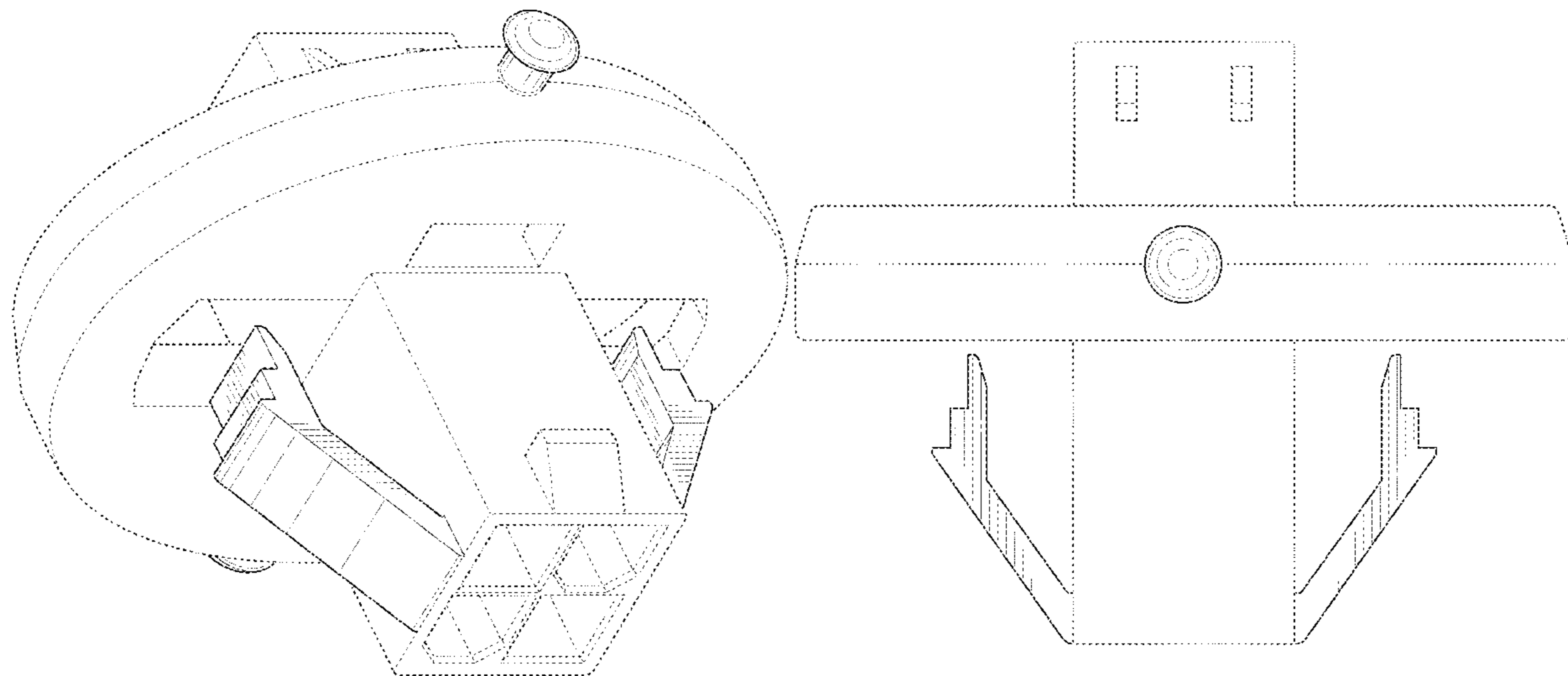
The ornamental design for a connector, as shown and described.

DESCRIPTION

FIG. 1 is a front top perspective view of a connector showing our new design;
FIG. 2 is a front bottom perspective view thereof;
FIG. 3 is a rear perspective view thereof;
FIG. 4 is a front view thereof;
FIG. 5 is a rear view thereof;
FIG. 6 is a bottom view thereof;
FIG. 7 is a top view thereof;
FIG. 8 is a right side view thereof;
FIG. 9 is a left side view thereof;
FIG. 10 is a front top perspective view of an alternate embodiment of a connector showing our new design;
FIG. 11 is a front bottom perspective view thereof;
FIG. 12 is a rear perspective view thereof;
FIG. 13 is a front view thereof;
FIG. 14 is a rear view thereof;
FIG. 15 is a top view thereof;
FIG. 16 is a bottom view thereof;
FIG. 17 is a right side view thereof;
FIG. 18 is a left side view thereof;
FIG. 19 is a front top perspective view of an alternate embodiment of a connector showing our new design;
FIG. 20 is a front bottom perspective view thereof;
FIG. 21 is a rear perspective view thereof;
FIG. 22 is a front view thereof;
FIG. 23 is a rear view thereof;
FIG. 24 is a top view thereof;
FIG. 25 is a bottom view thereof;
FIG. 26 is a right side view thereof; and,
FIG. 27 is a left side view thereof.

The broken lines immediately adjacent to the shaded areas represent the bounds of the claimed design and form no part thereof. The broken lines depicting the remainder of the connector show features that form no part of the claimed design.

1 Claim, 27 Drawing Sheets



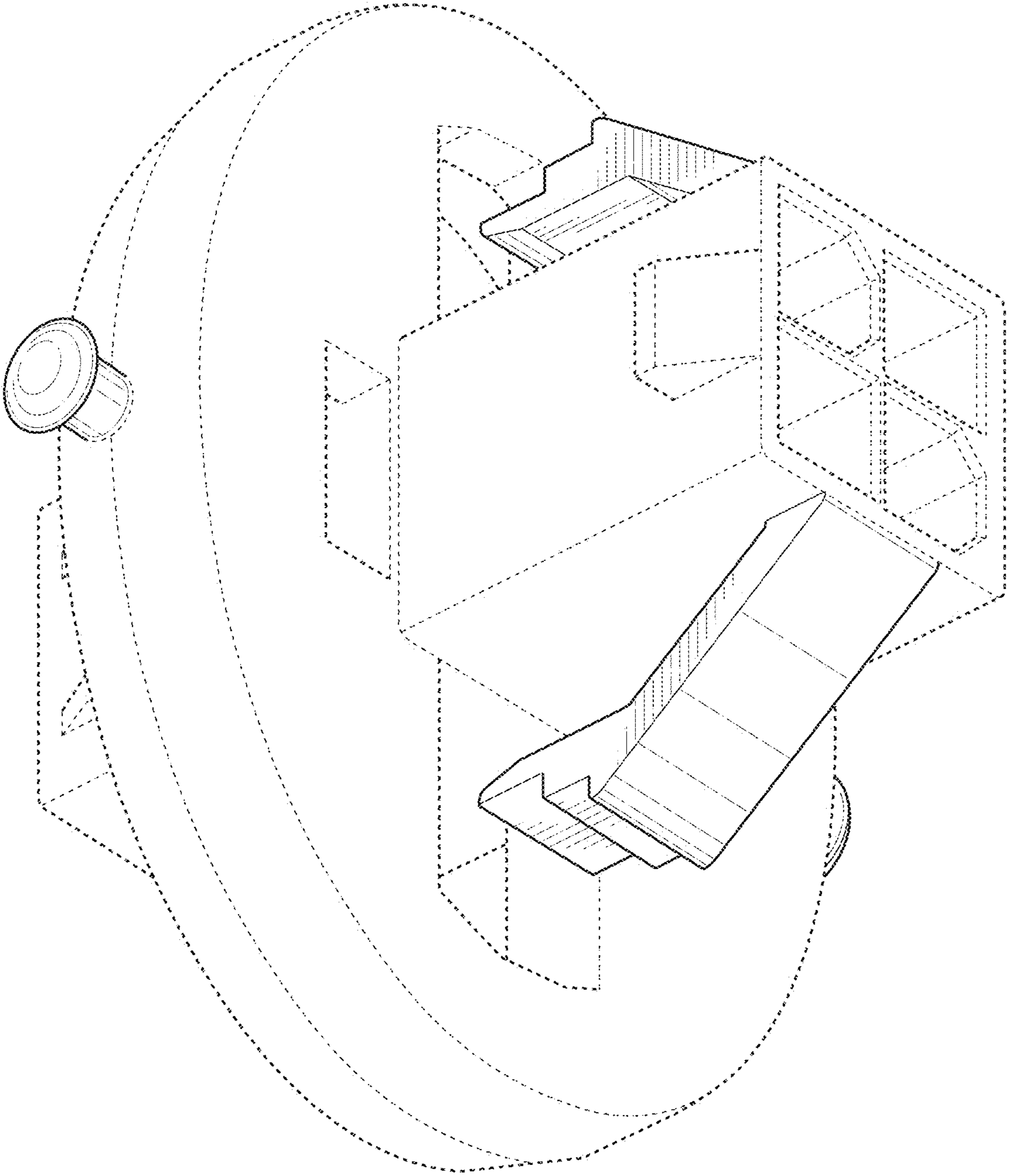


FIG. 1

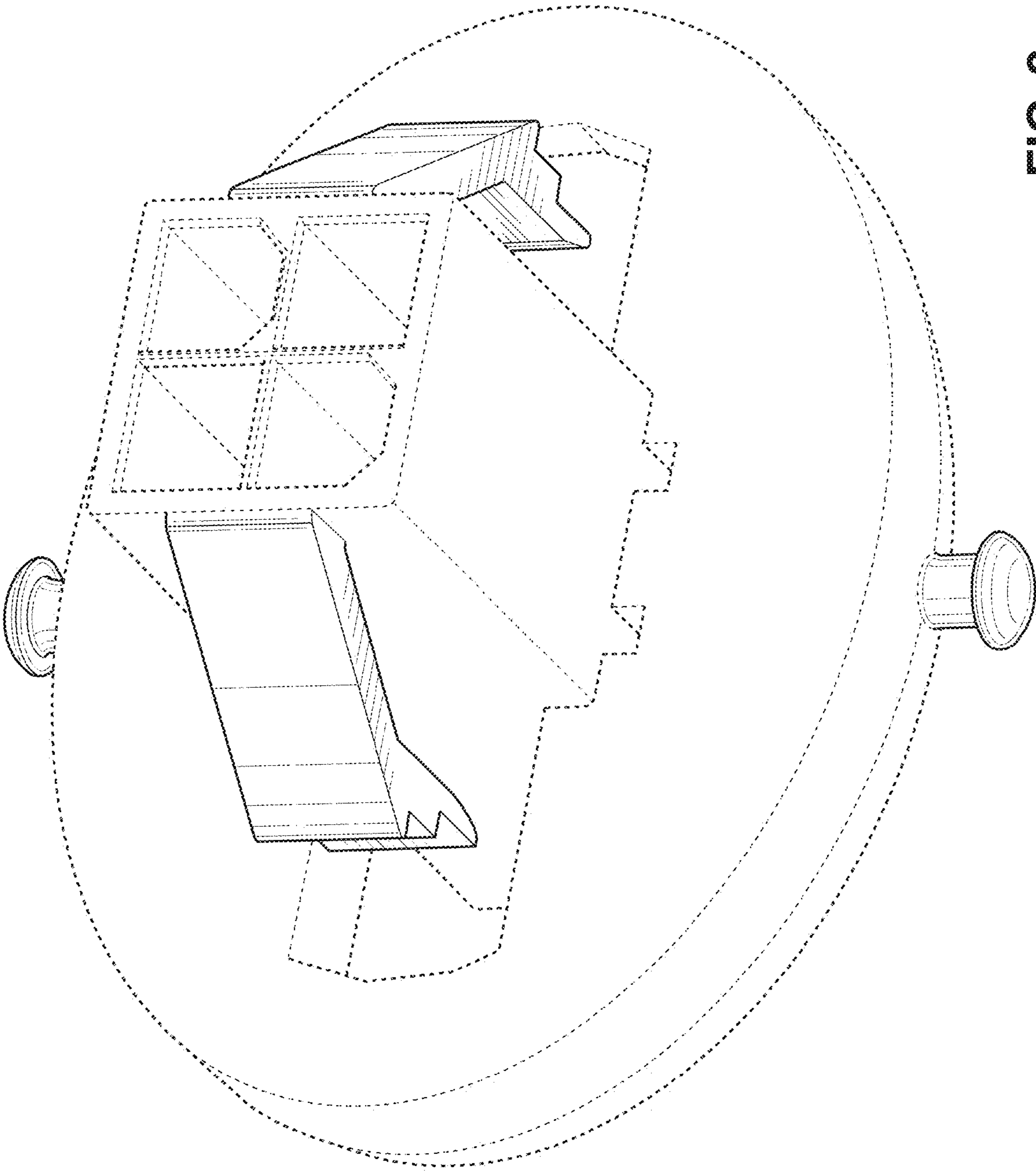


FIG. 2

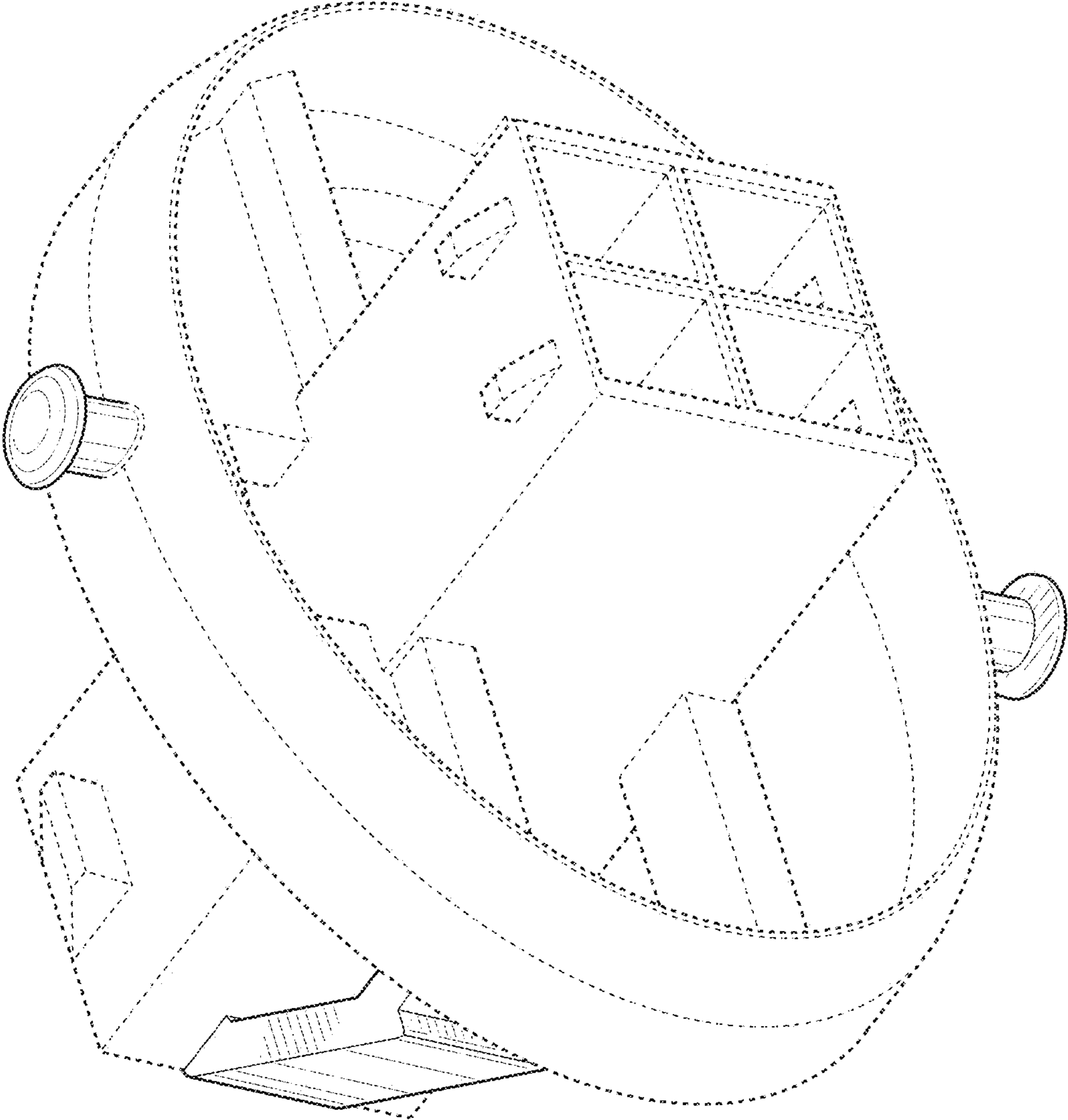


FIG. 3

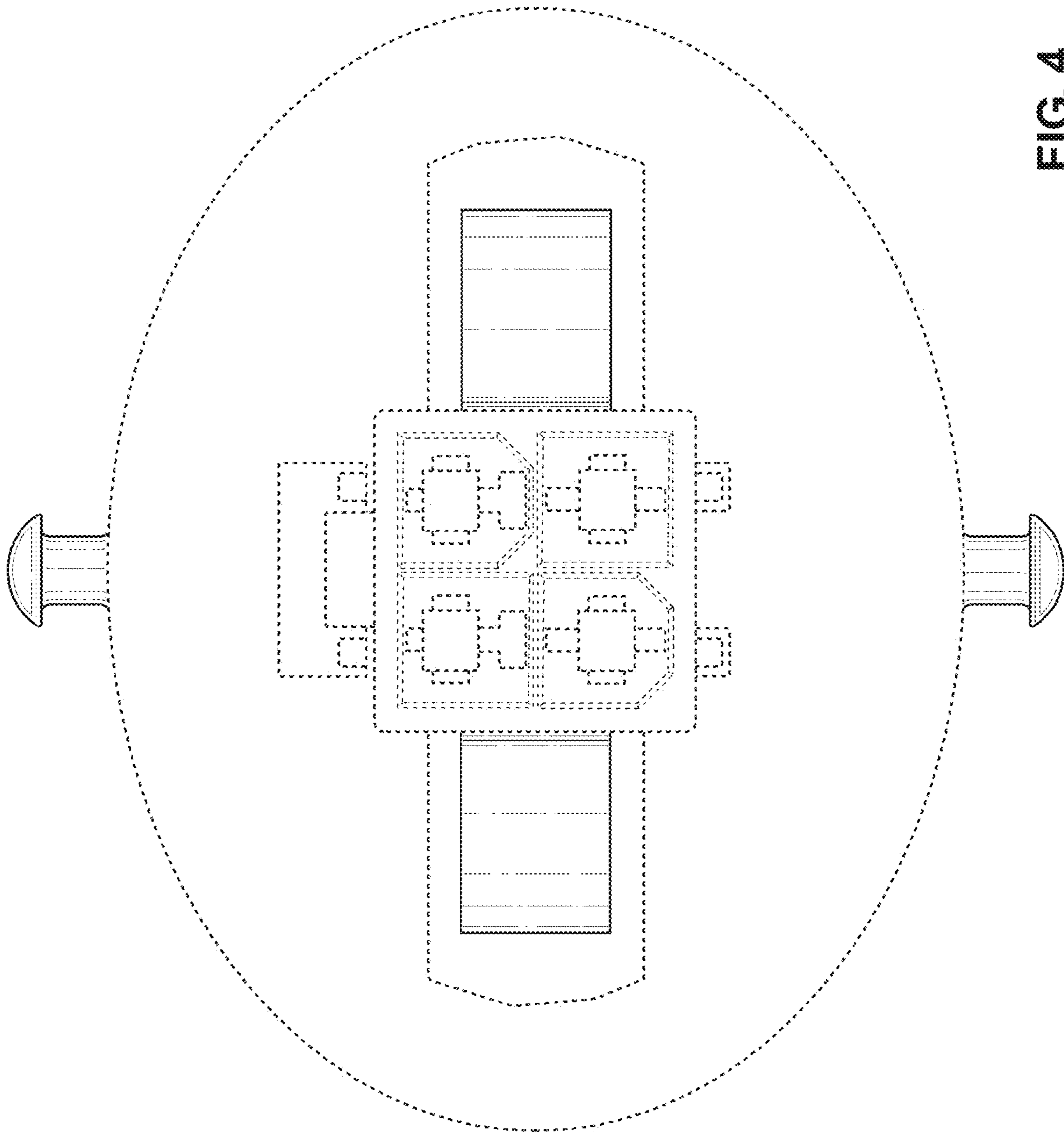


FIG. 4

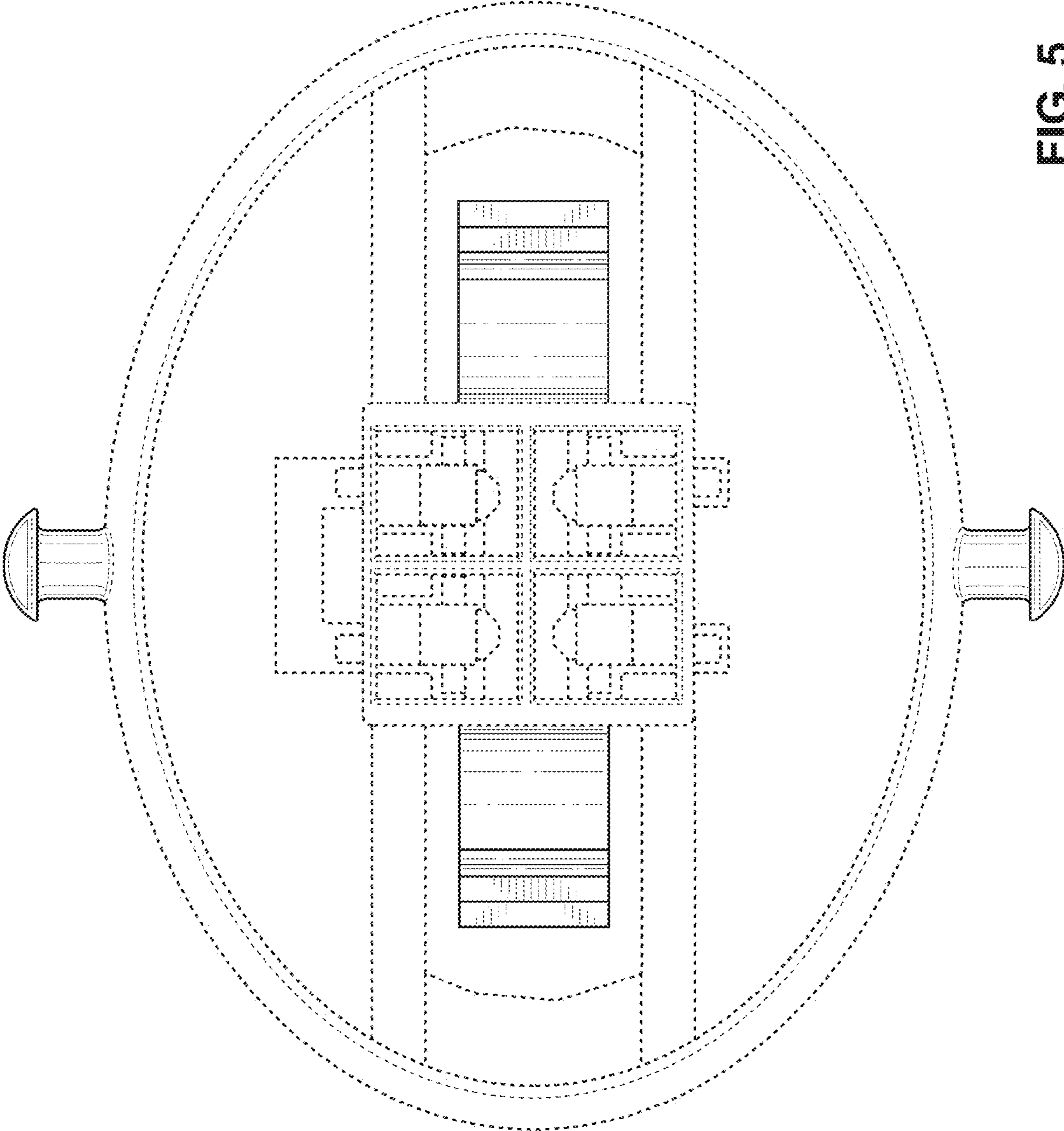


FIG. 5

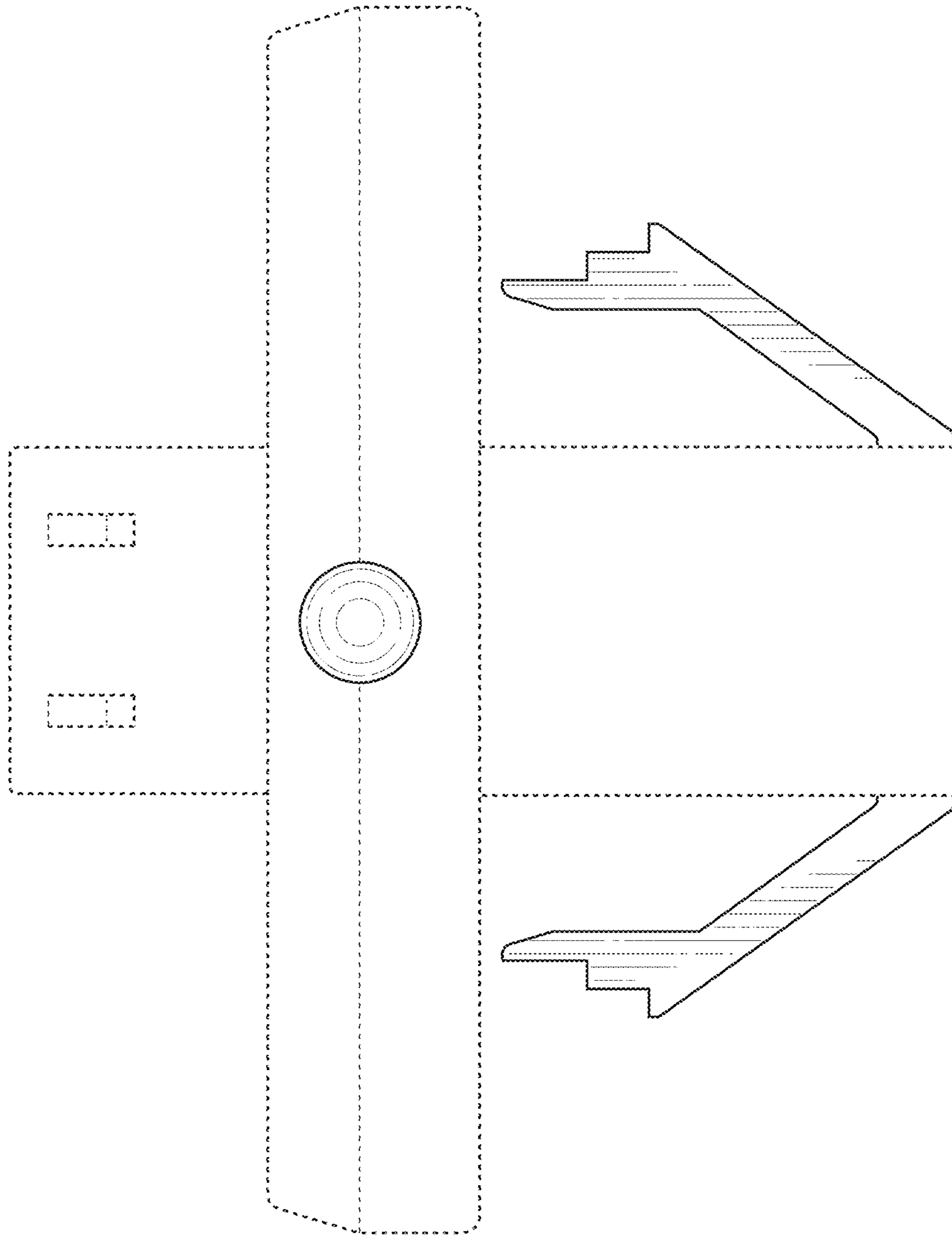


FIG. 6

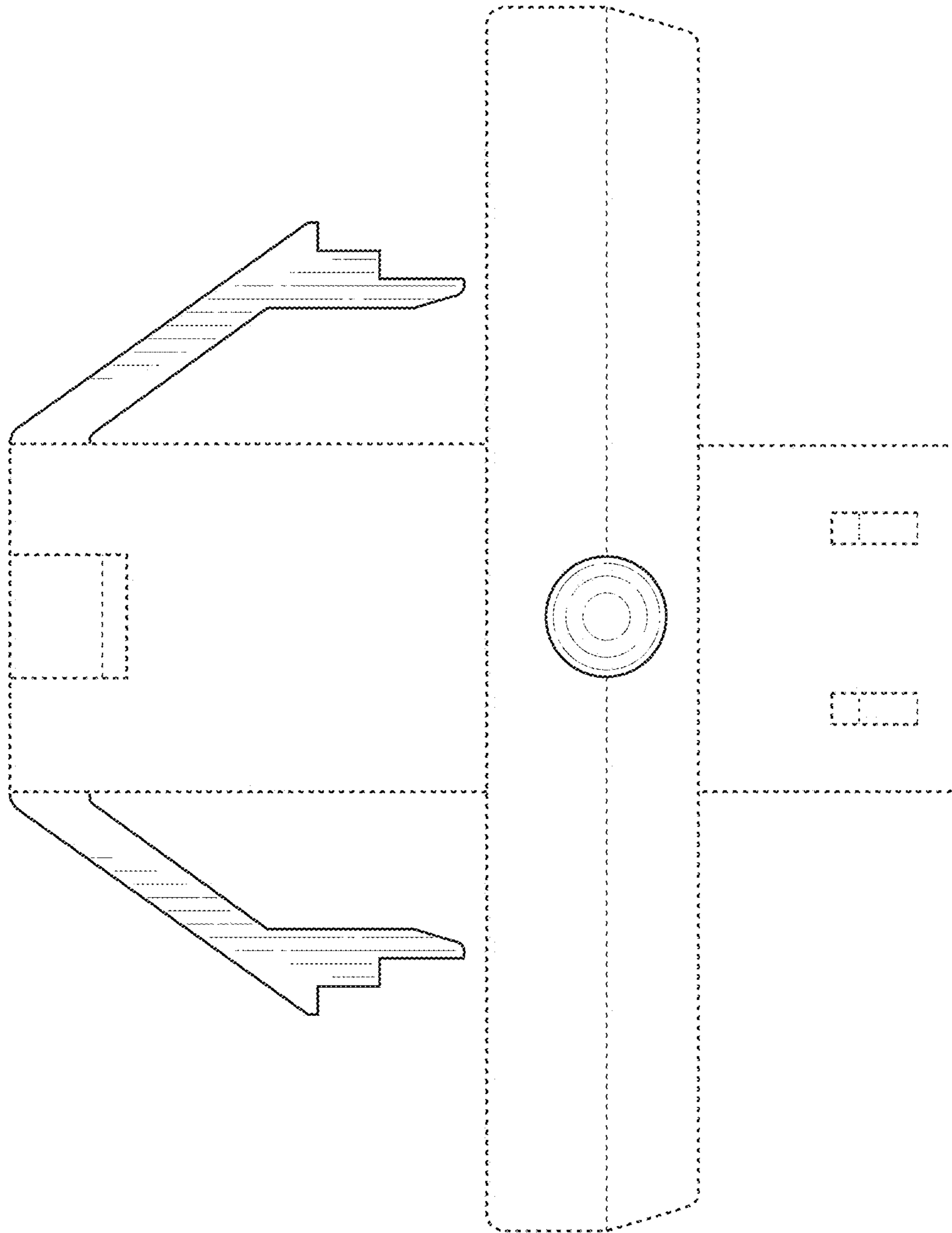


FIG. 7

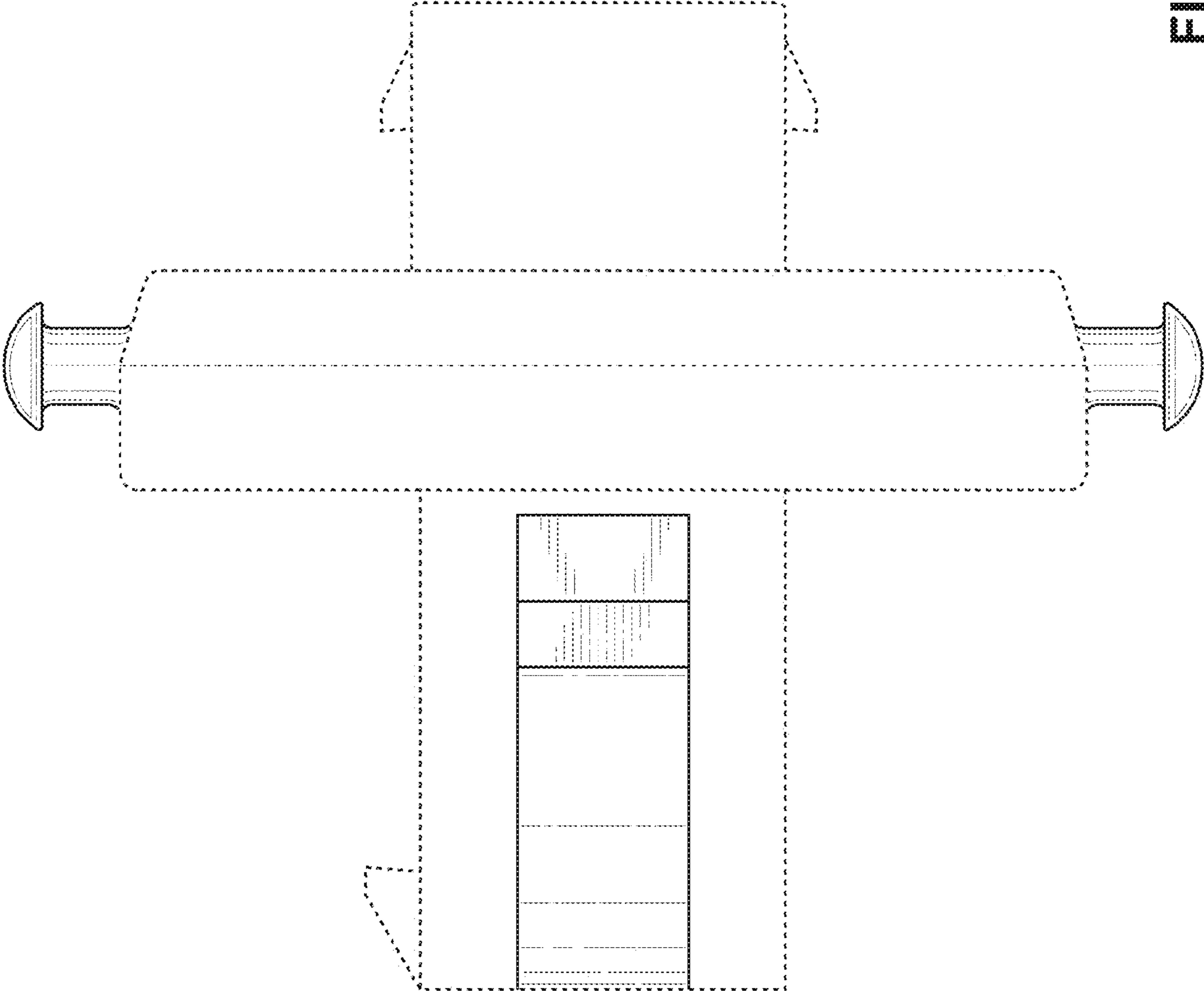


FIG. 8

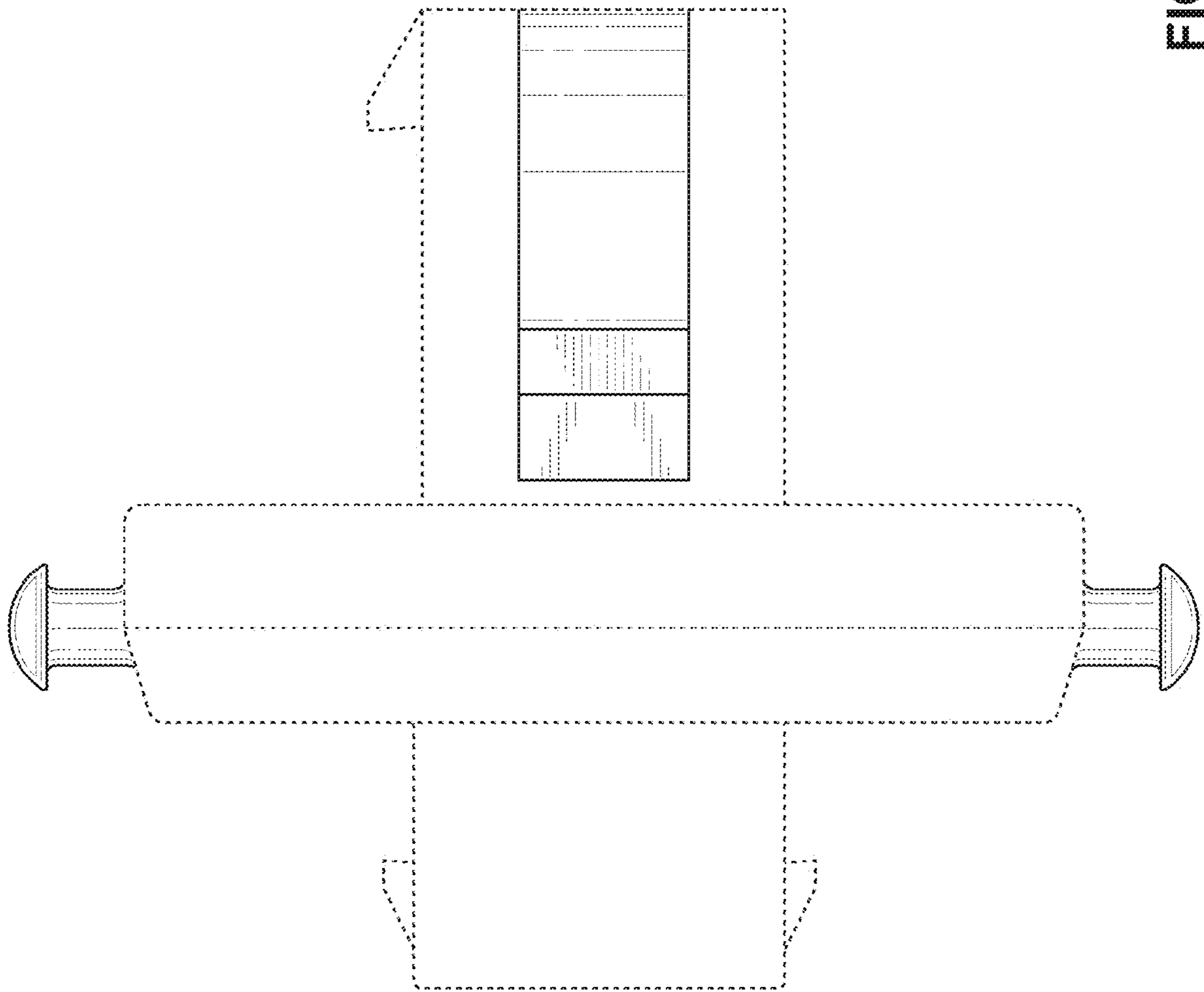


FIG. 9

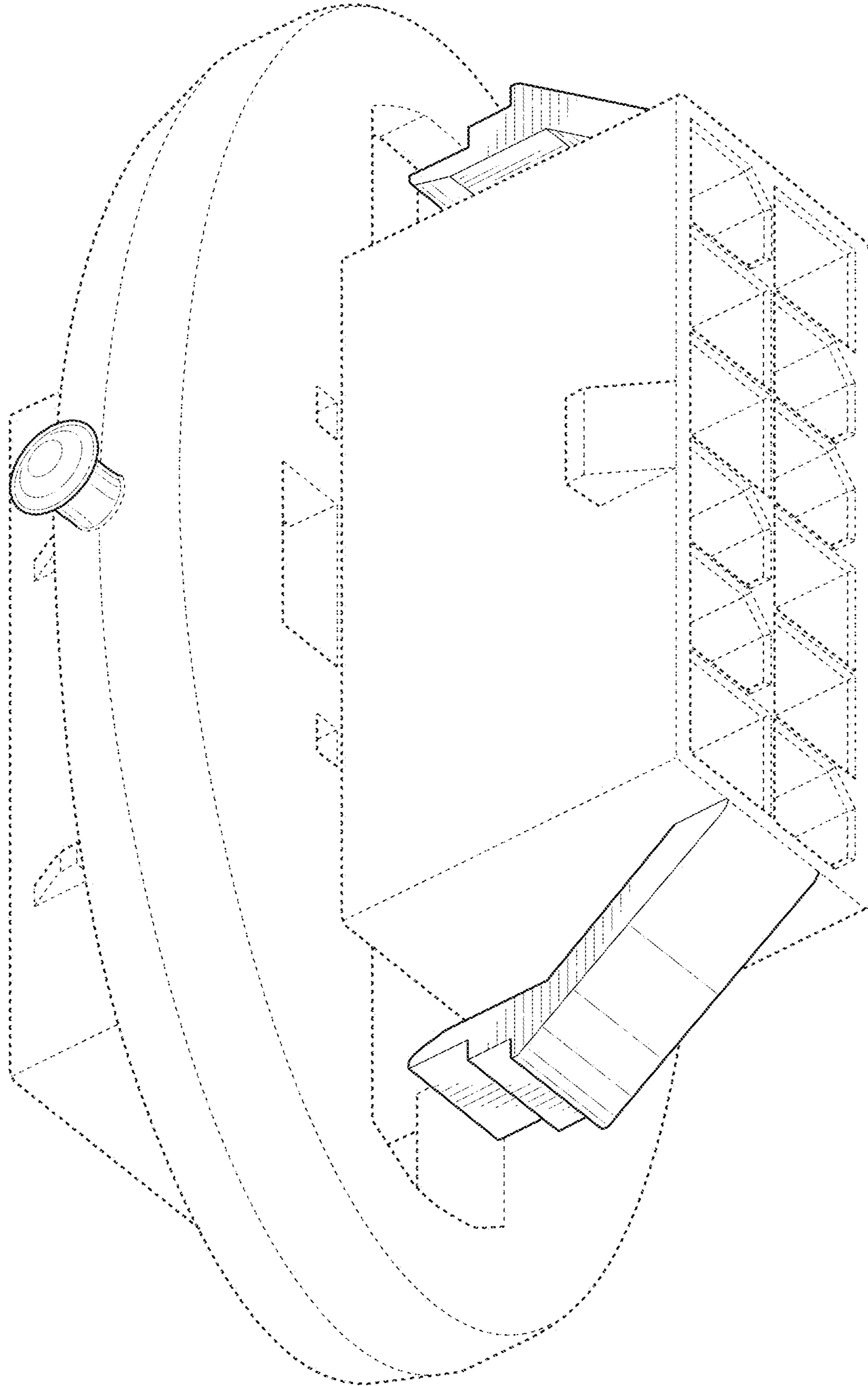


FIG. 10

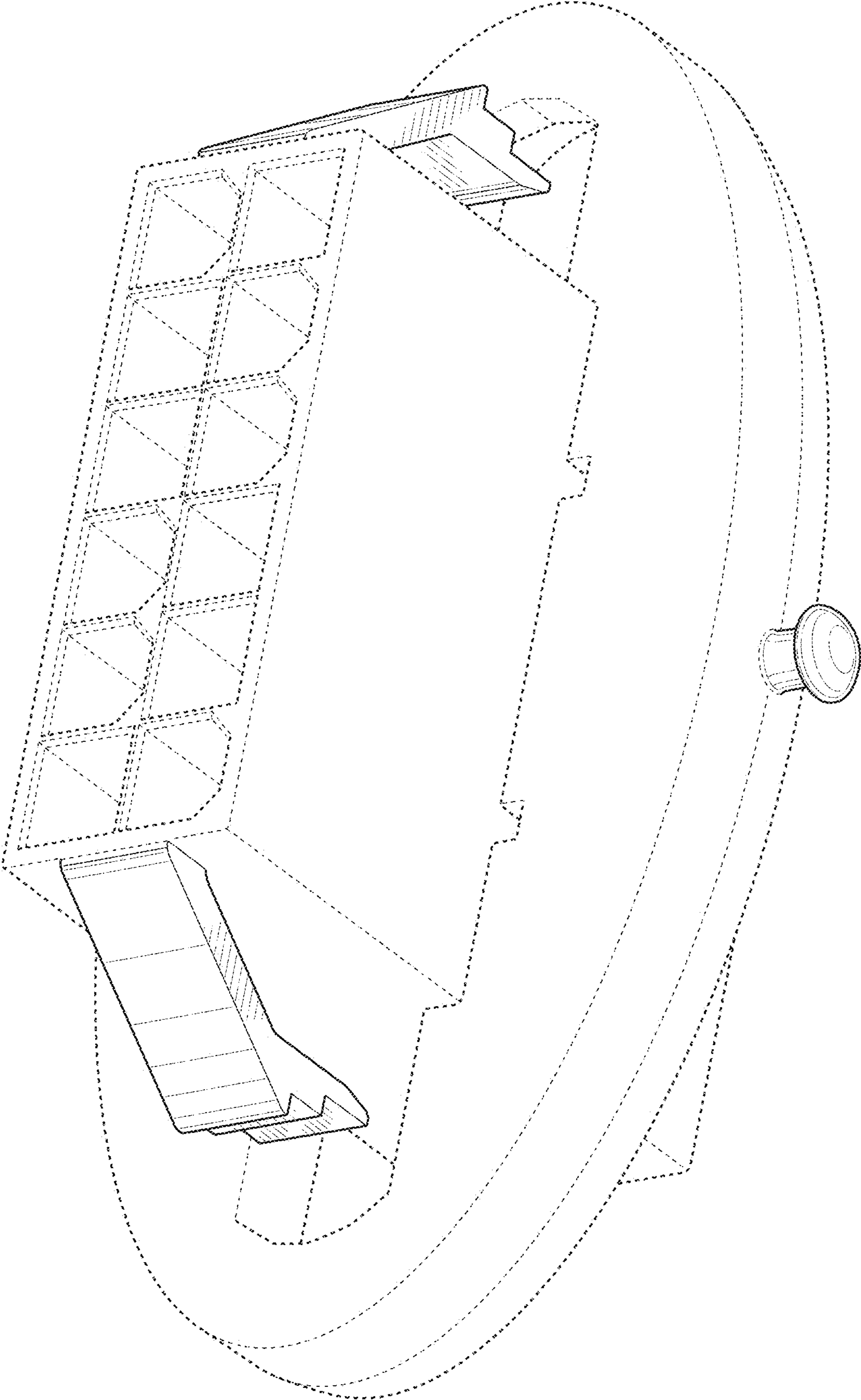


FIG. 11

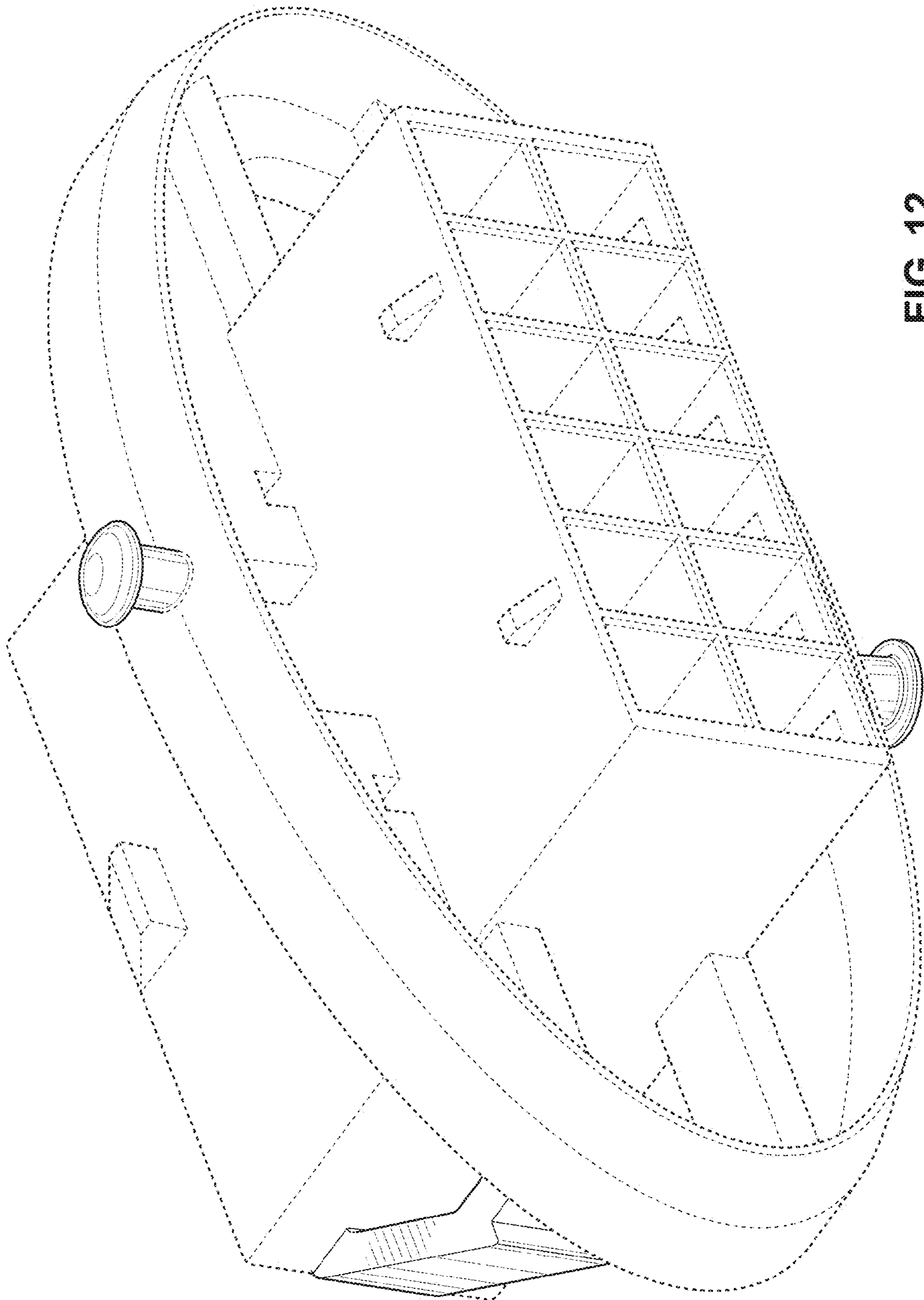


FIG. 12

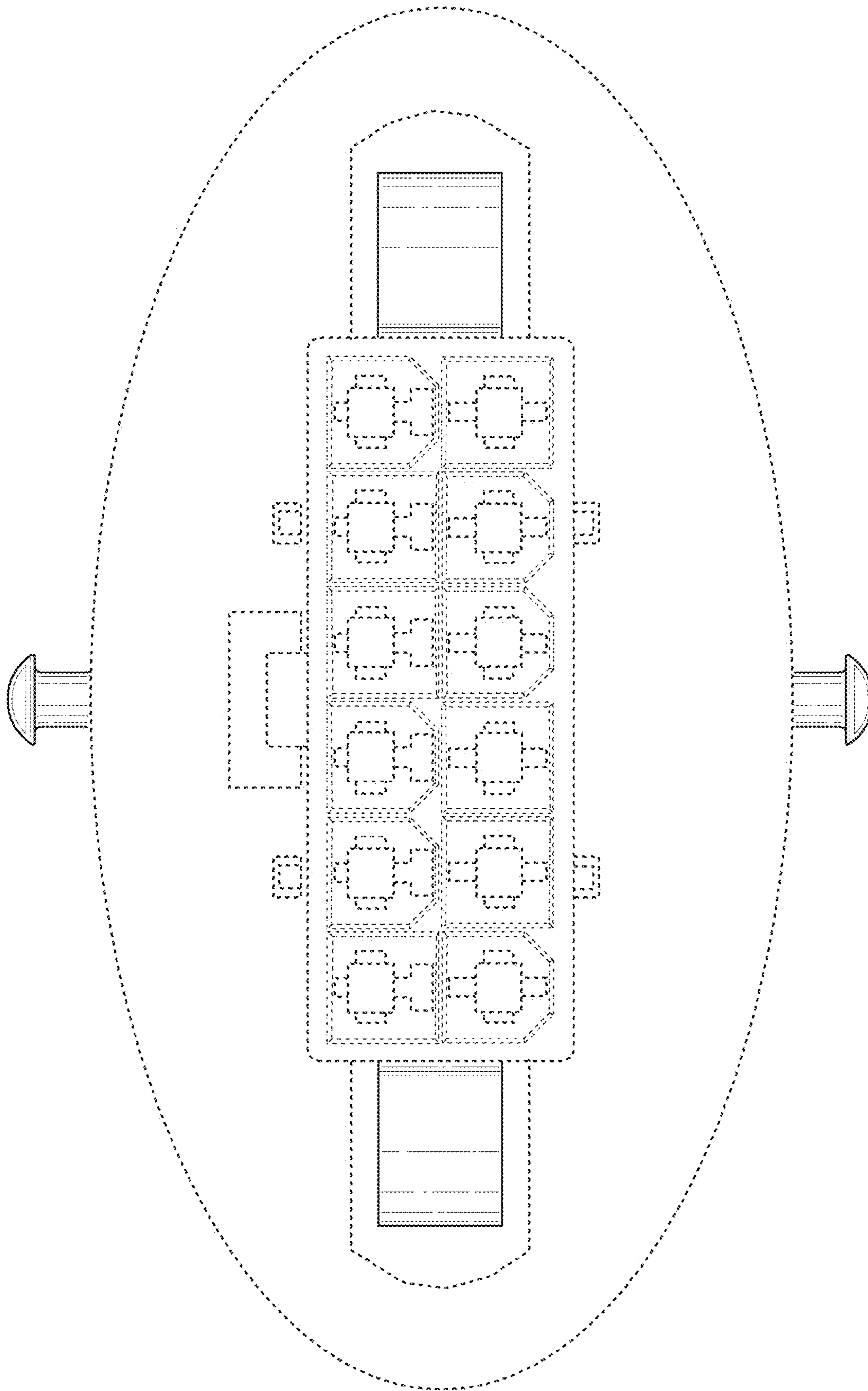


FIG. 13

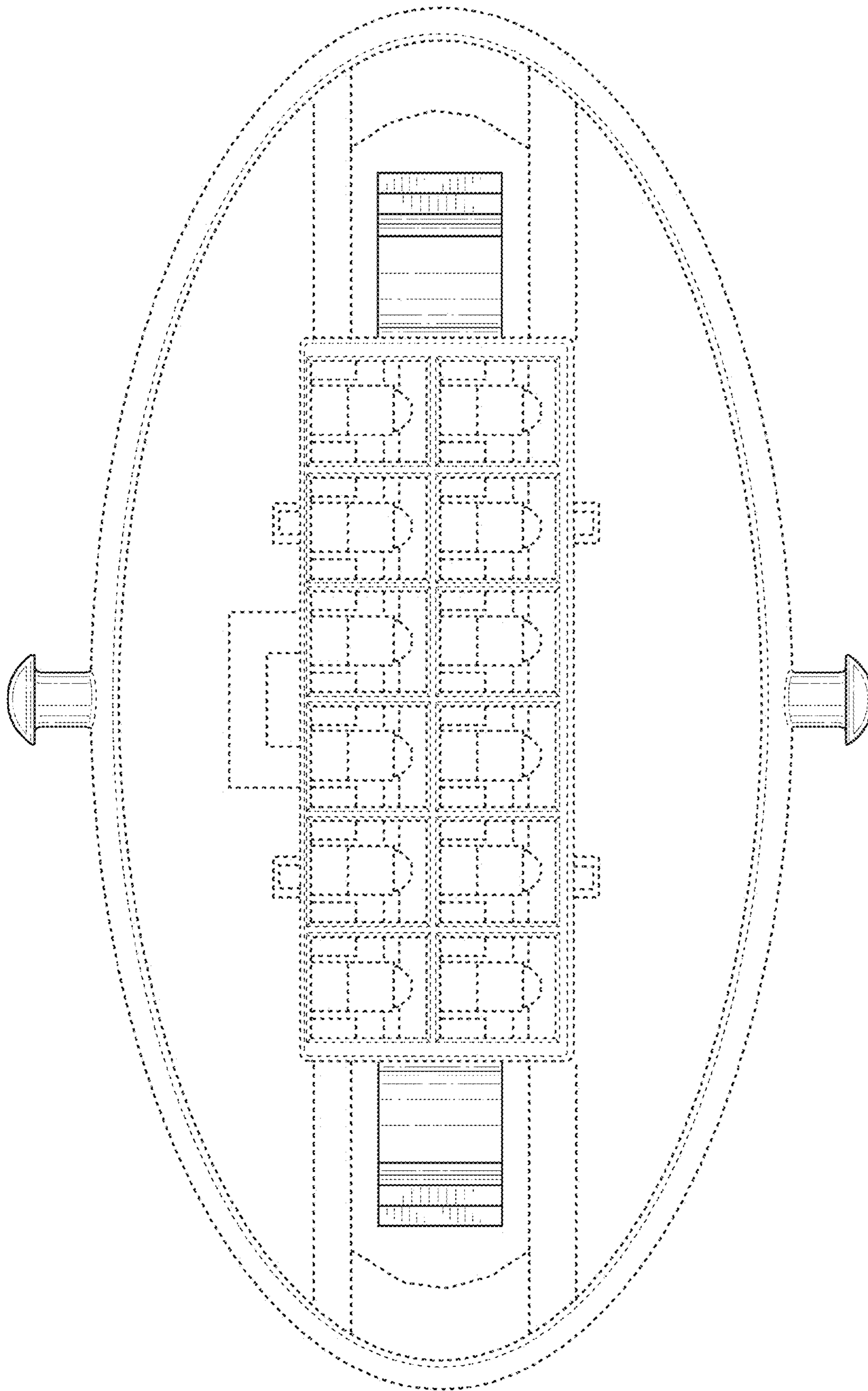


FIG. 14

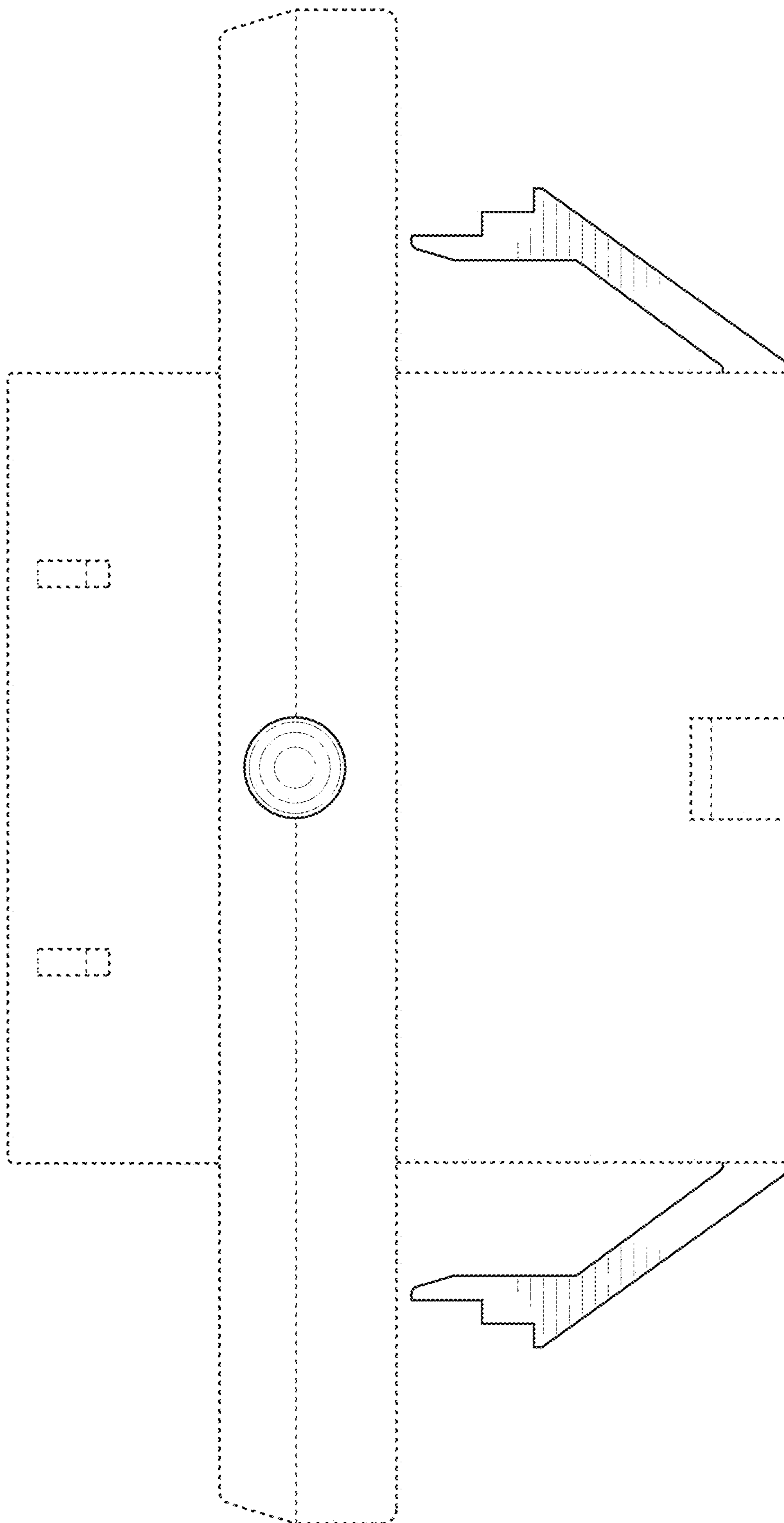


FIG. 15

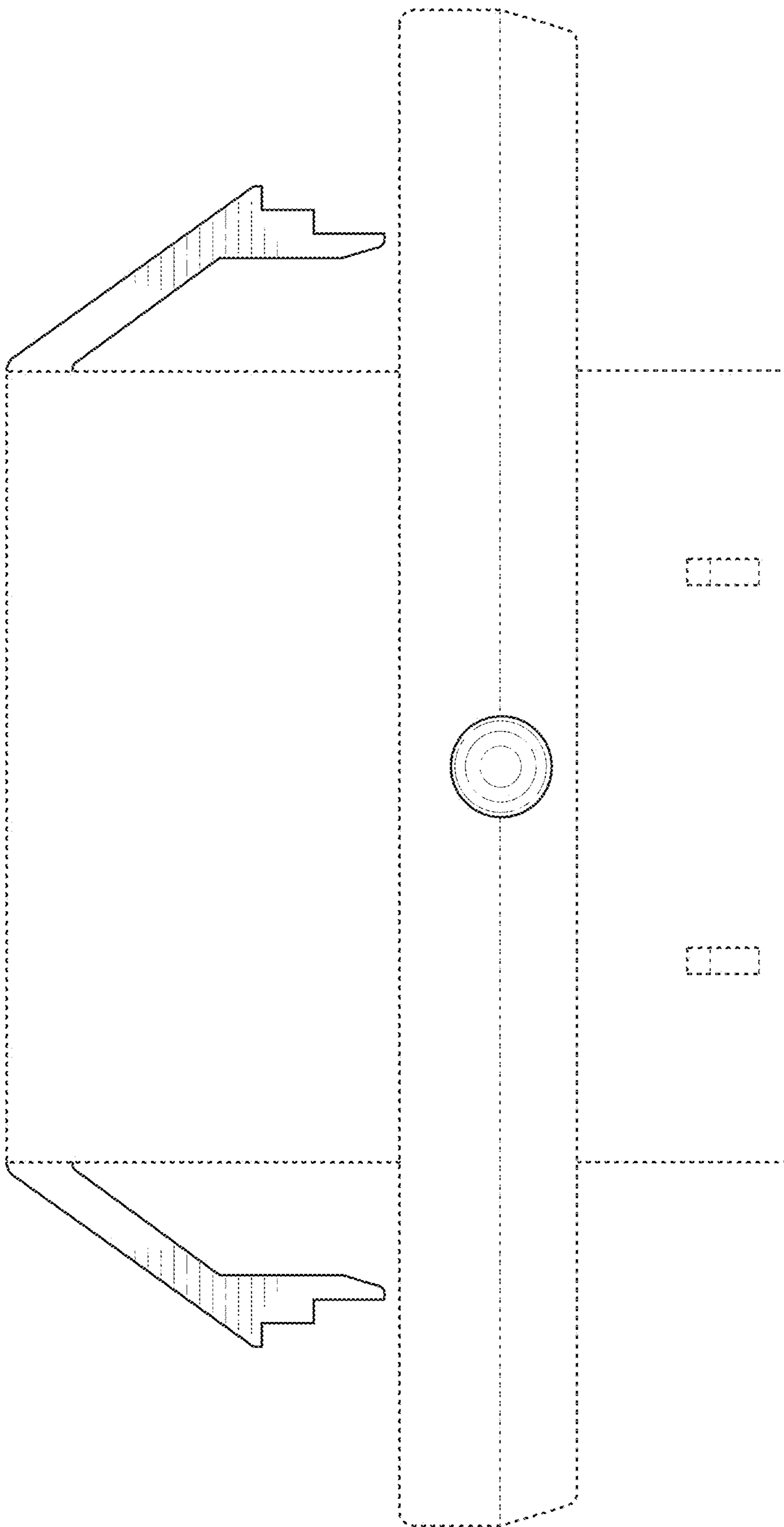


FIG. 16

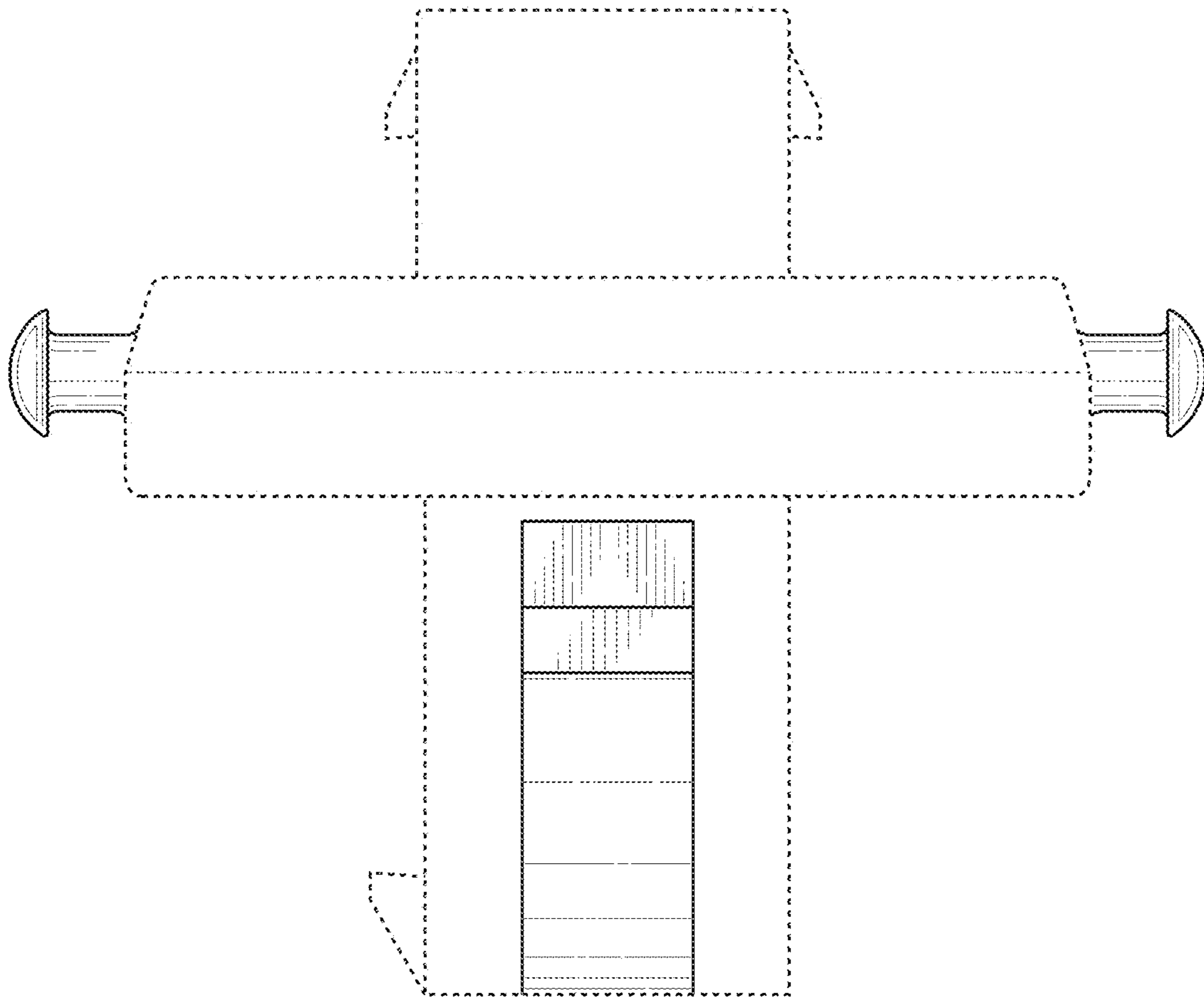


FIG. 17

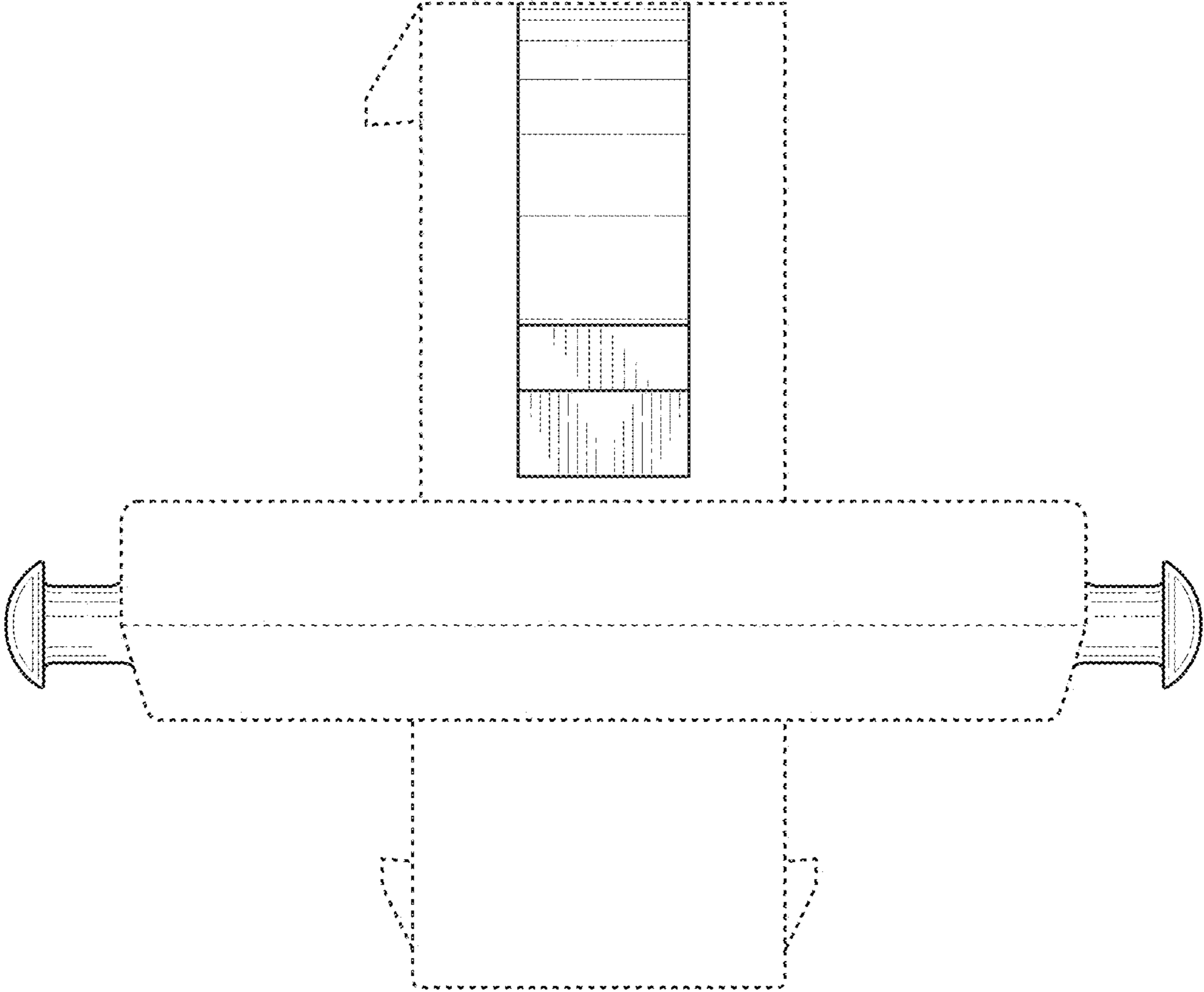


FIG. 18

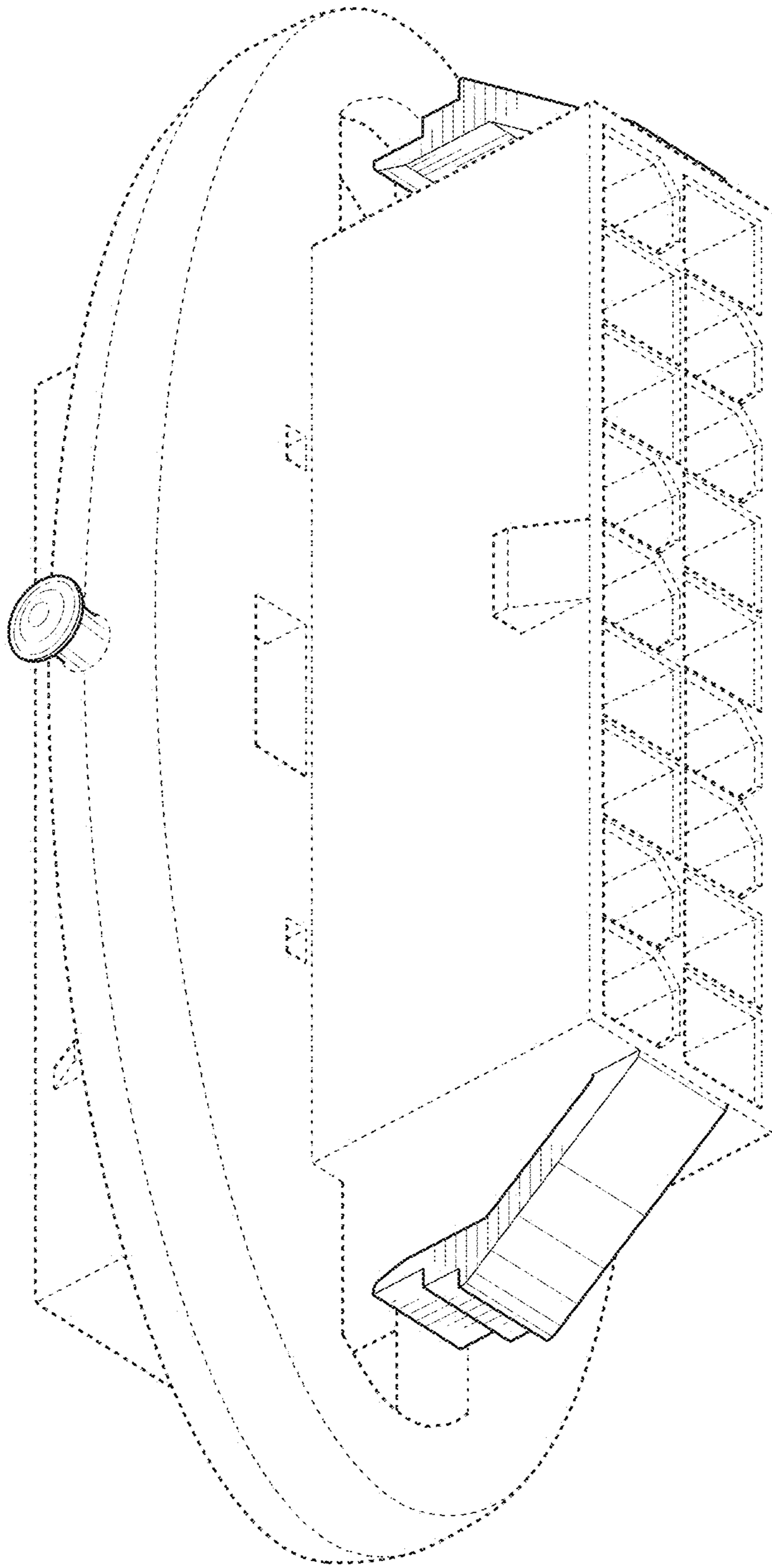


FIG. 19

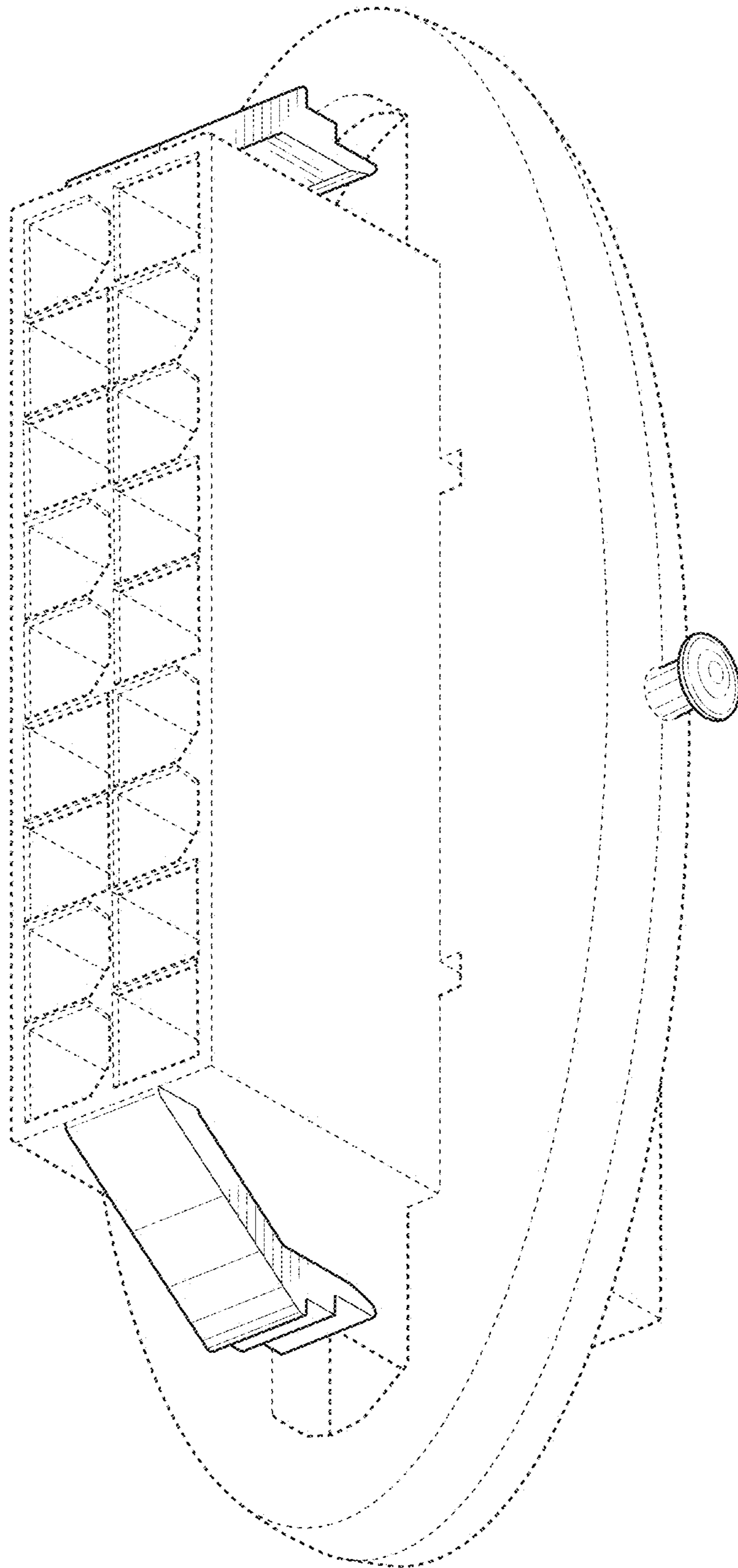


FIG. 20

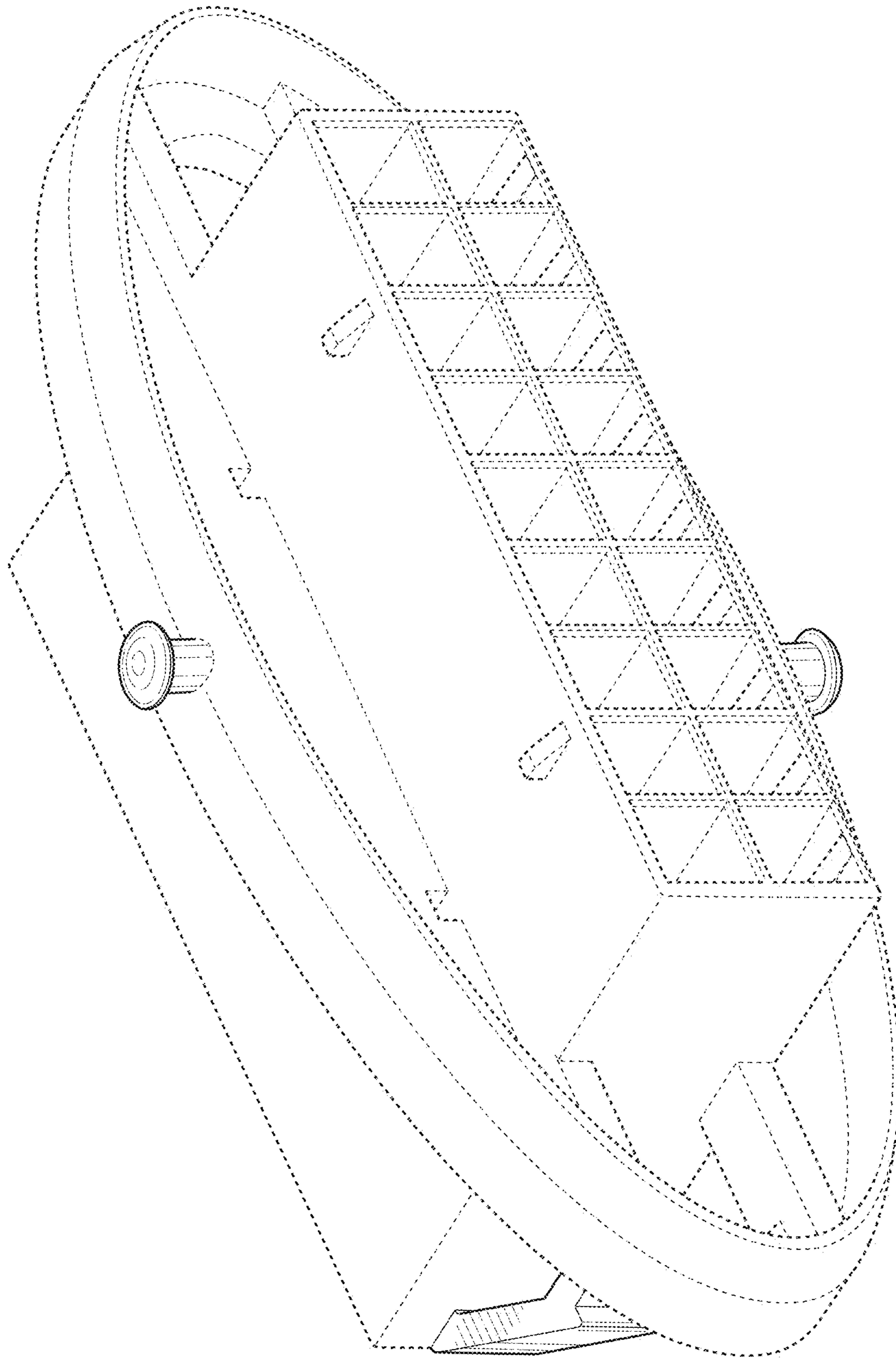


FIG. 21

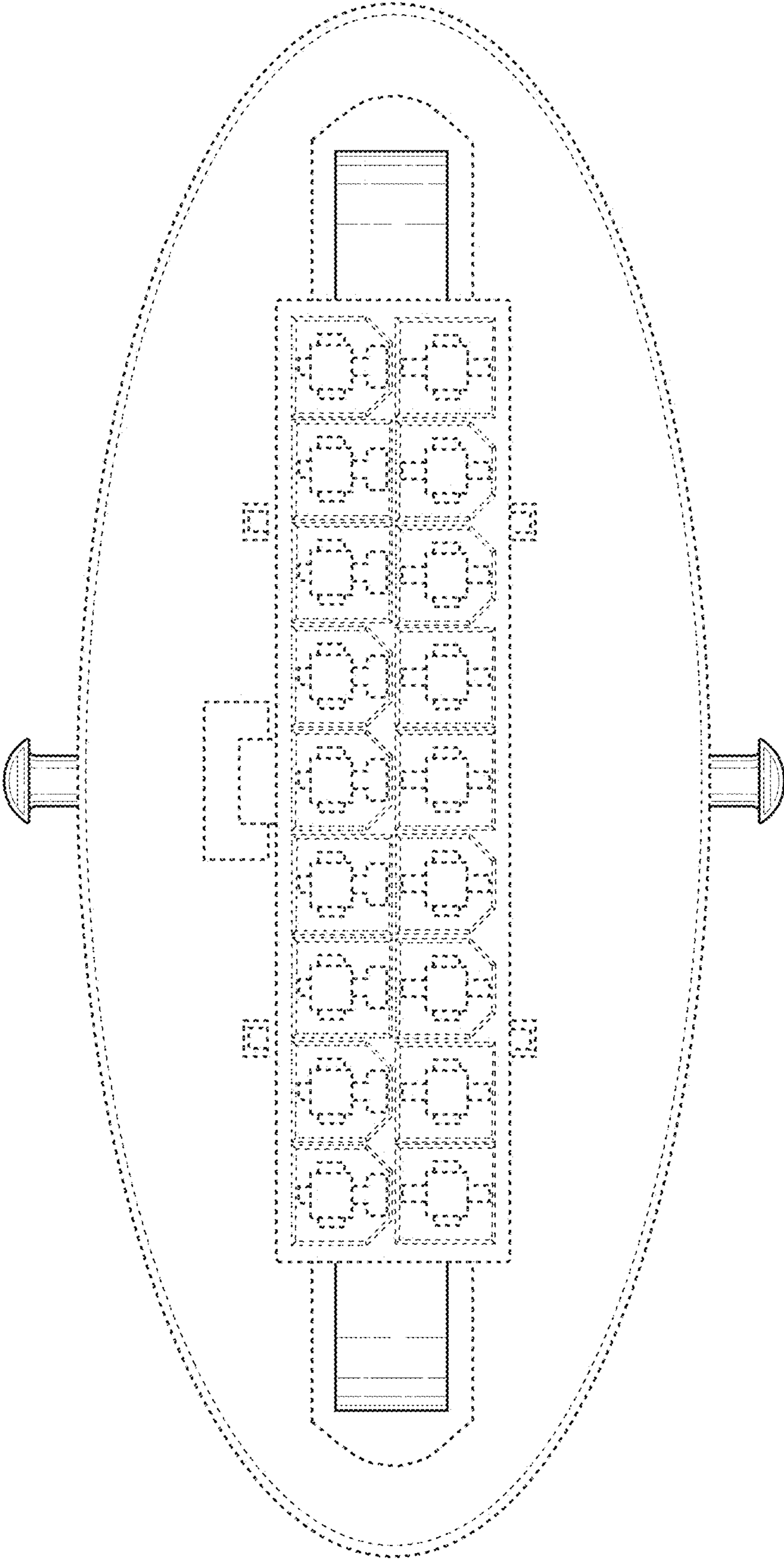


FIG. 22

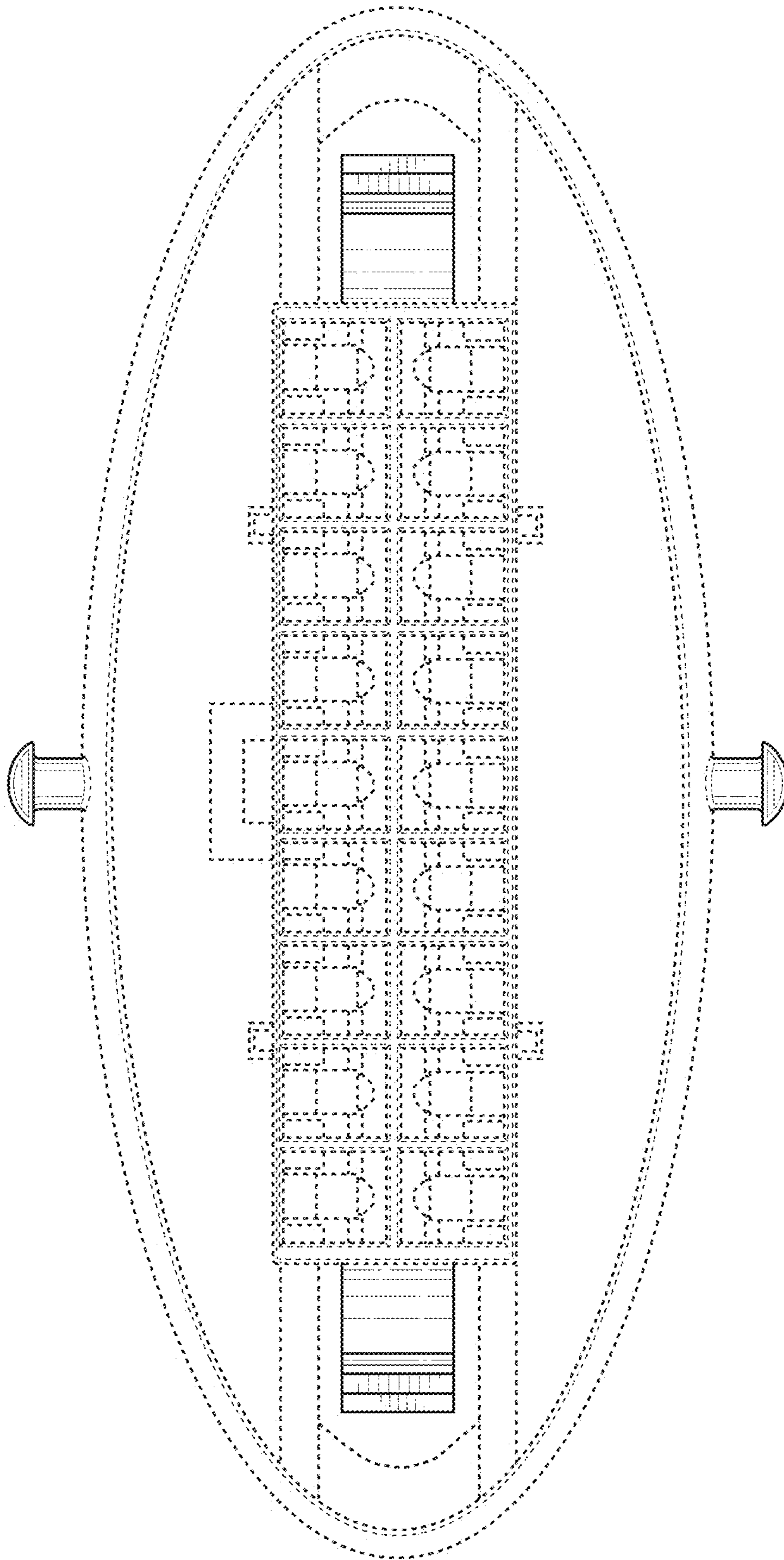


FIG. 23

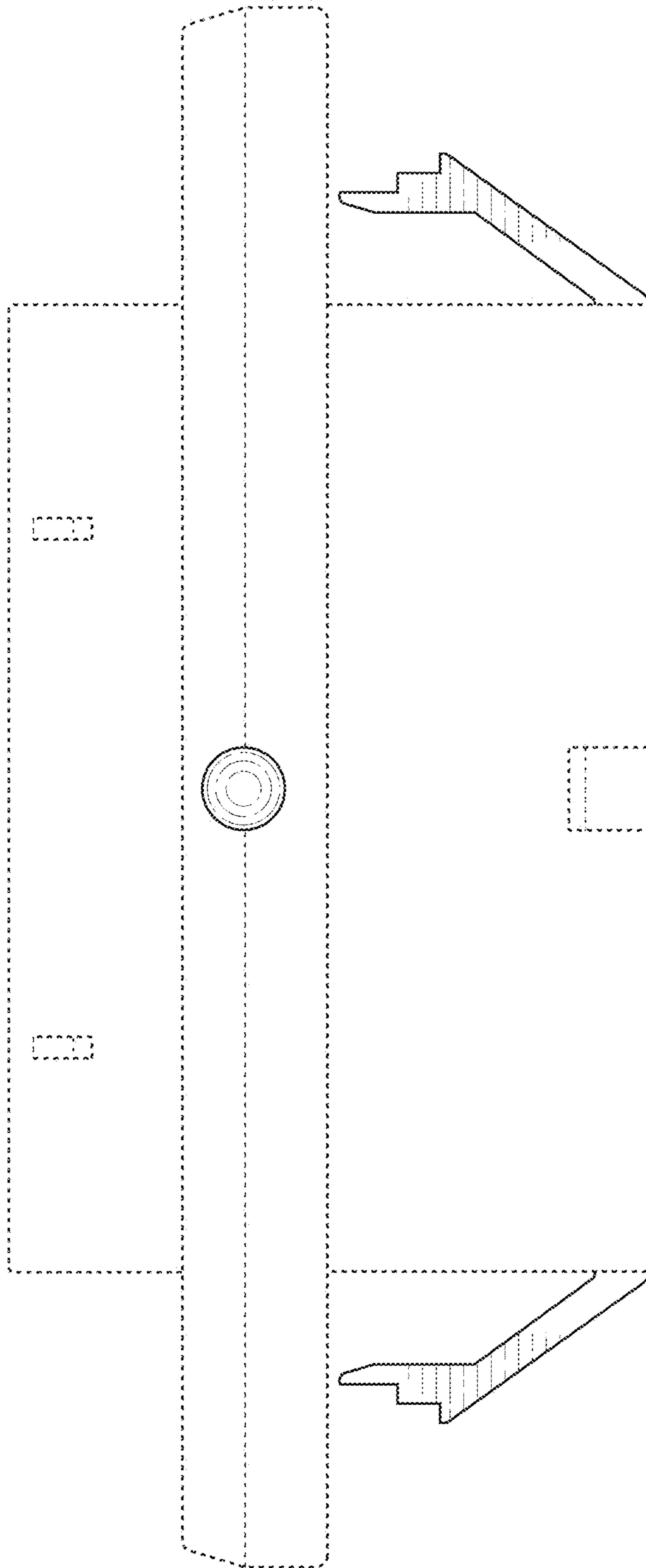


FIG. 24

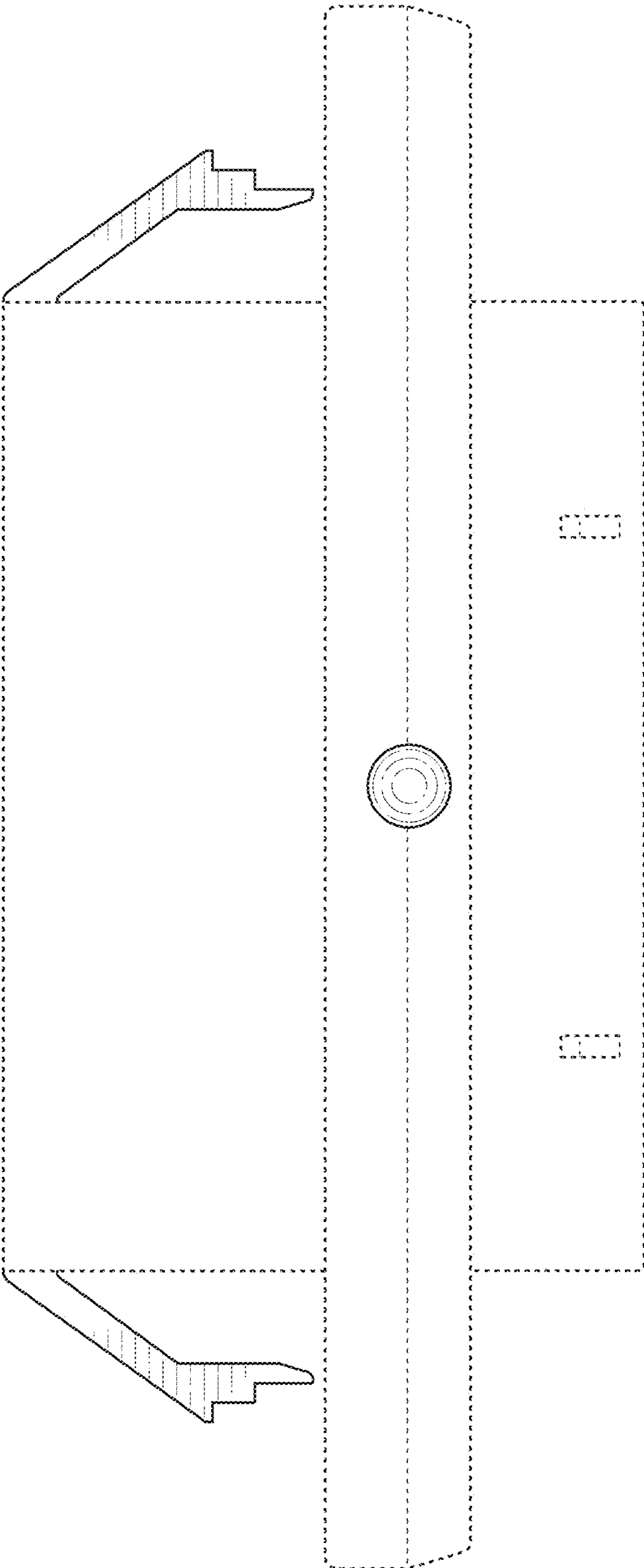


FIG. 25

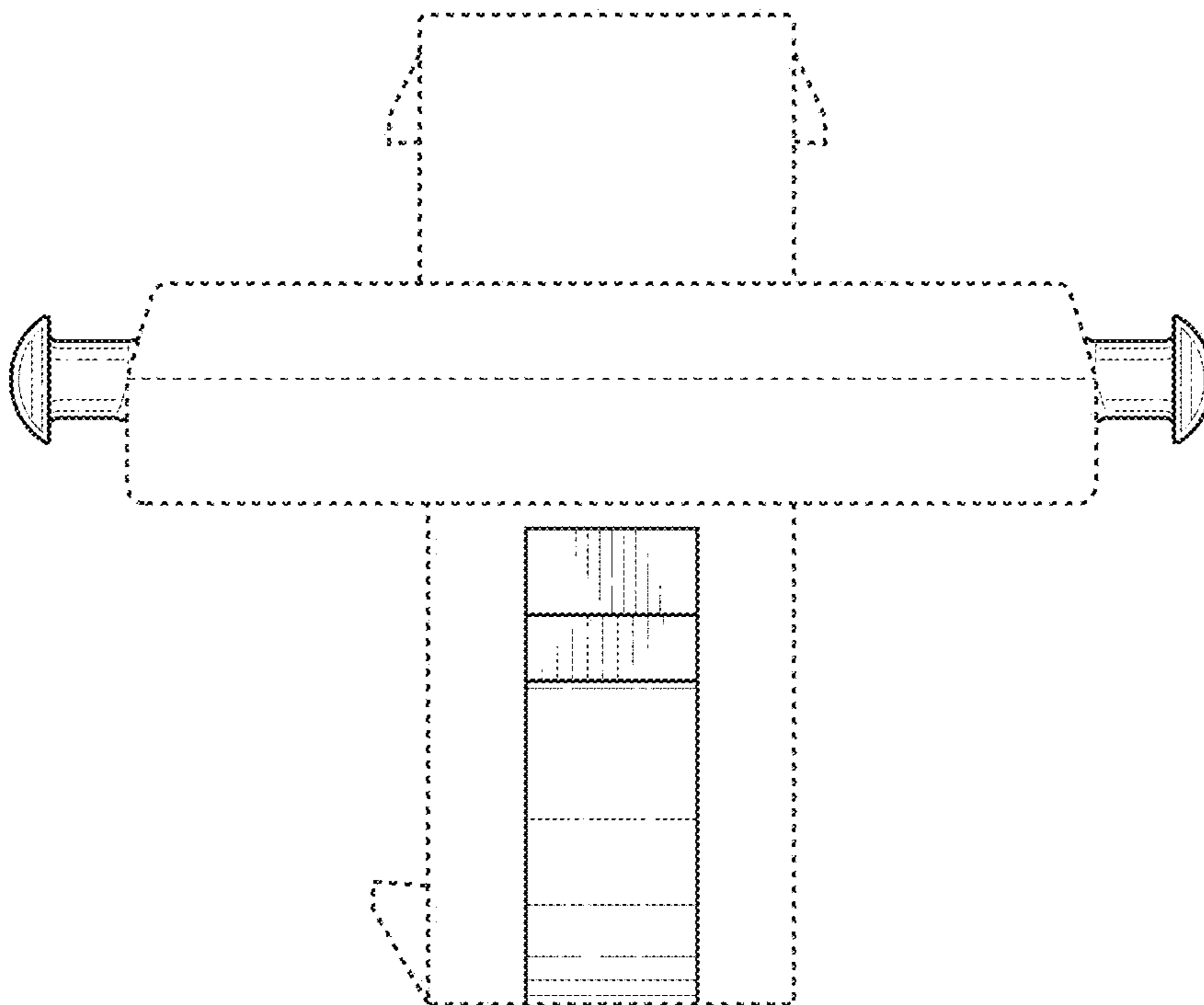


FIG. 26

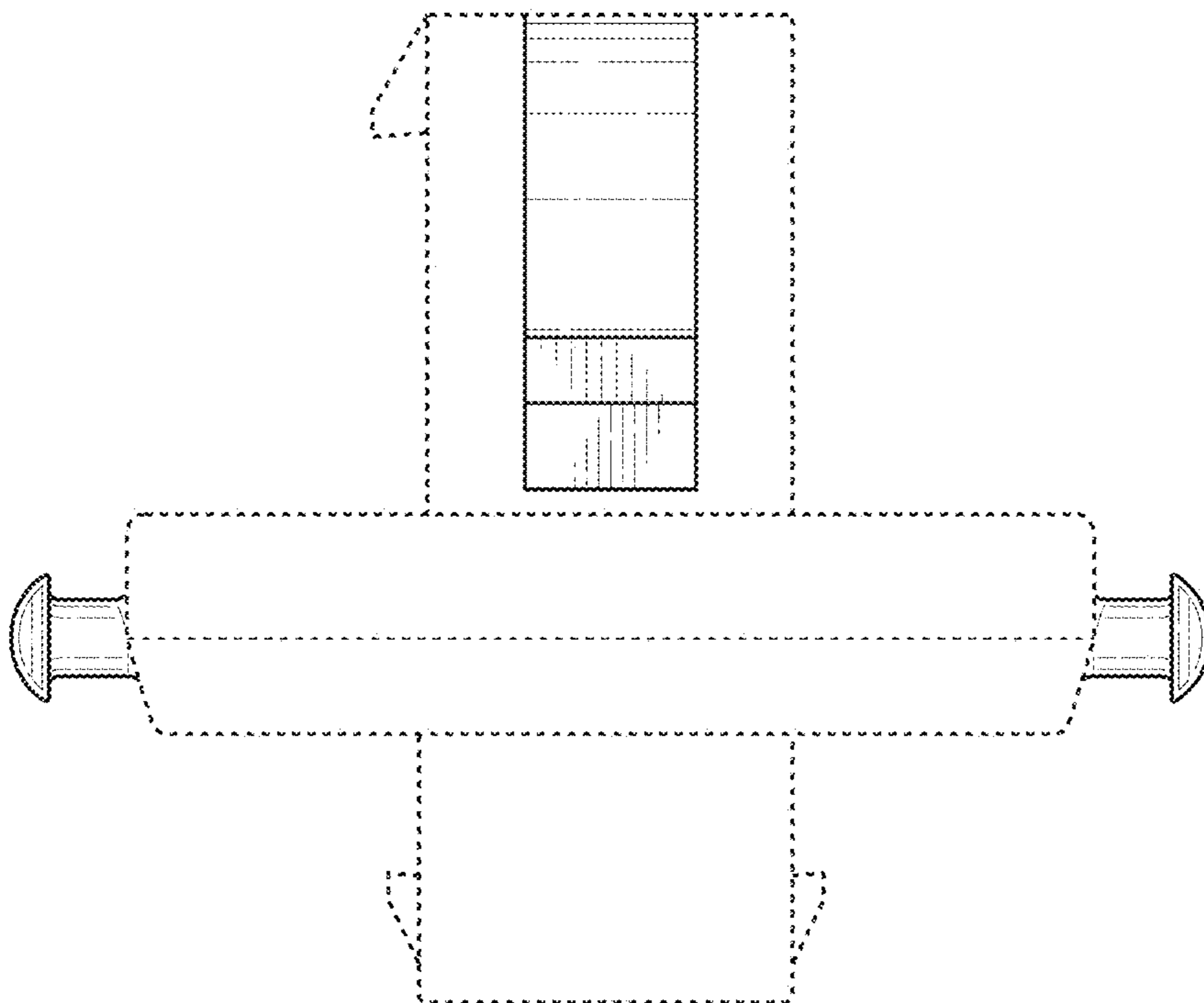


FIG. 27