



US00D924146S

(12) **United States Design Patent**  
**Martins et al.**

(10) **Patent No.:** **US D924,146 S**  
(45) **Date of Patent:** **\*\* Jul. 6, 2021**

(54) **RECEPTACLE ELECTRICAL TERMINAL ASSEMBLY**

(71) Applicant: **Antaya Technologies Corporation**,  
Warwick, RI (US)

(72) Inventors: **David B. Martins**, Fall River, MA  
(US); **Marco M. Lucci**, Cranston, RI  
(US); **Timothy S. Craven**, West  
Warwick, RI (US); **Michael J.**  
**Palombo**, Warwick, RI (US)

(73) Assignee: **Antaya Technologies Corporation**,  
Warwick, RI (US)

(\*\*) Term: **15 Years**

(21) Appl. No.: **29/698,943**

(22) Filed: **Jul. 22, 2019**

(51) **LOC (13) Cl.** ..... **13-03**

(52) **U.S. Cl.**  
USPC ..... **D13/133; D13/154**

(58) **Field of Classification Search**  
USPC ..... D13/107, 118-120, 123, 133, 146-149,  
D13/151, 154, 156, 173, 184, 199  
CPC .. H01R 4/02; H01R 9/05; H01R 11/11; H01R  
11/22; H01R 11/28; H01R 13/00; H01R  
13/05; H01R 13/11  
See application file for complete search history.

(56) **References Cited**

**U.S. PATENT DOCUMENTS**

- 3,980,388 A 9/1976 Nailor
- 4,112,941 A \* 9/1978 Larimore ..... A61B 5/274  
600/394
- 4,983,133 A \* 1/1991 Van Scyoc ..... H01R 11/12  
439/860
- 5,897,406 A \* 4/1999 Benes ..... H05B 3/84  
439/859
- 6,428,355 B1 8/2002 Machado

- 6,607,409 B2 8/2003 Machado
  - 7,070,461 B1 \* 7/2006 Pavlovic ..... H01R 11/12  
439/766
  - D576,952 S \* 9/2008 Hung ..... D13/133
  - 8,496,503 B2 \* 7/2013 Lamoureux ..... H01R 13/111  
439/860
  - D873,415 S \* 1/2020 Zhou ..... D24/167
- (Continued)

**FOREIGN PATENT DOCUMENTS**

- EP 1998410 A1 \* 12/2008 ..... H01R 13/20
  - JP 2001167810 A \* 6/2001
- (Continued)

*Primary Examiner* — Shawn T Gingrich

(74) *Attorney, Agent, or Firm* — Billion & Armitage

(57) **CLAIM**

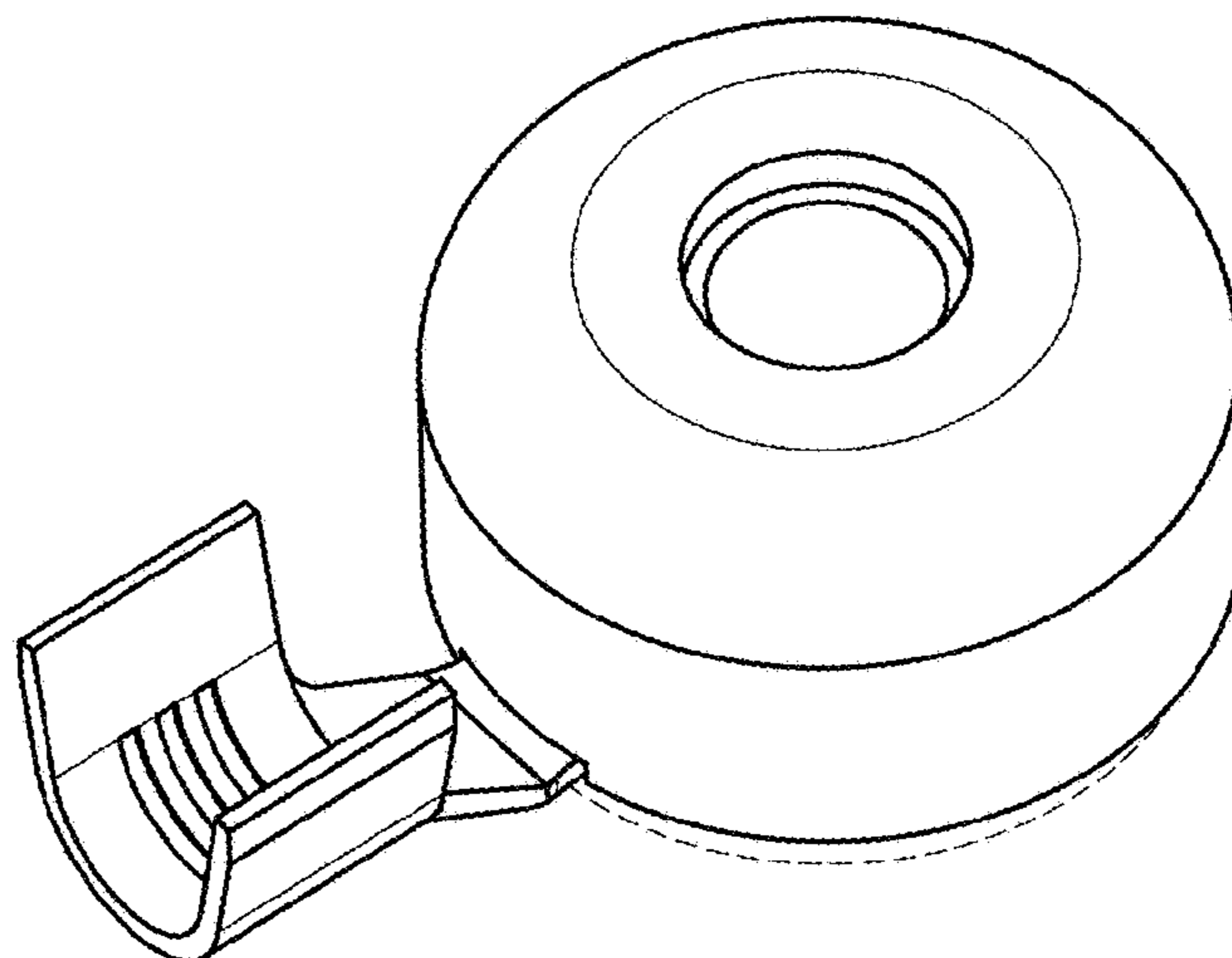
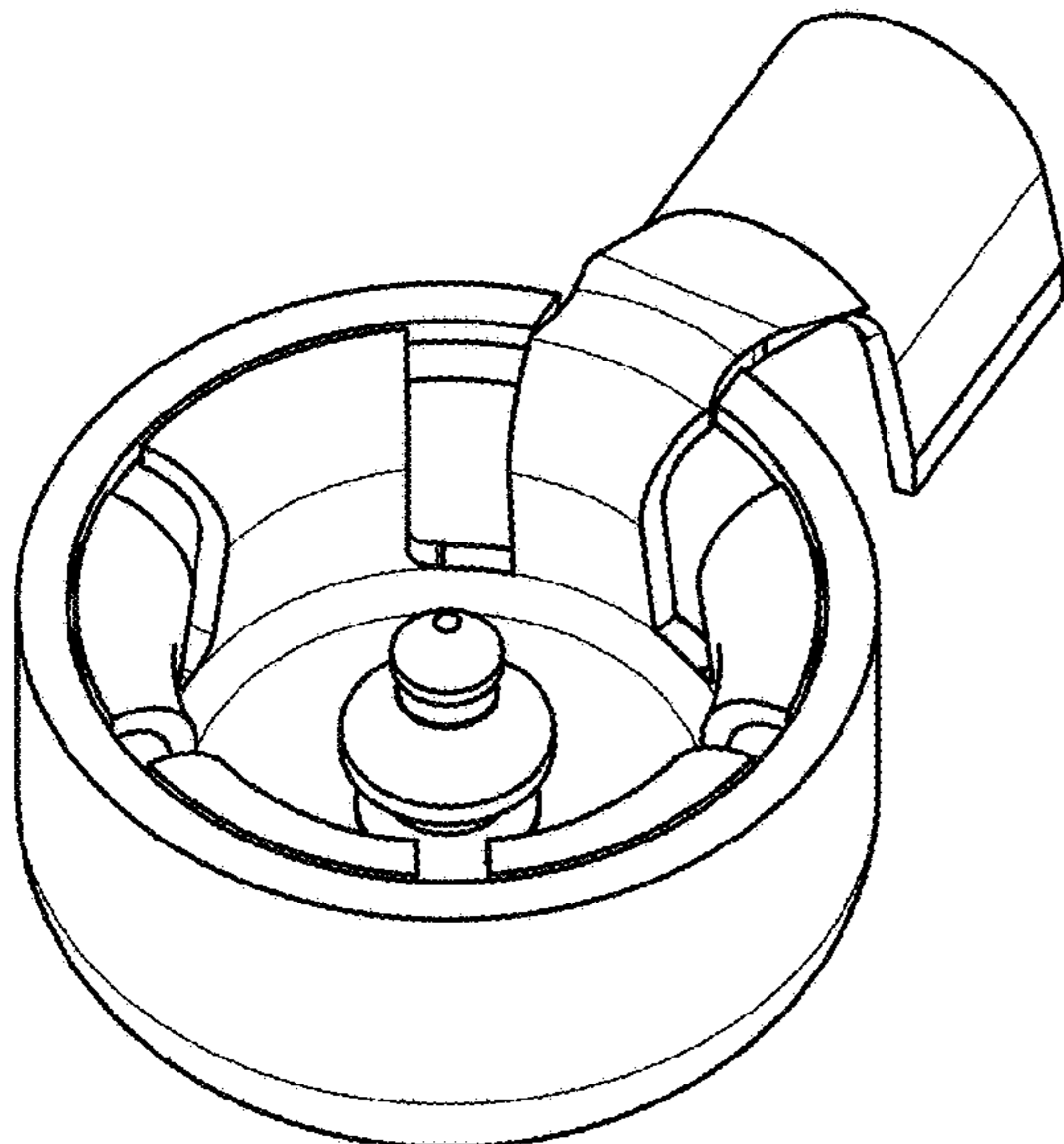
We claim an ornamental design for a receptacle electrical terminal assembly, as shown and described.

**DESCRIPTION**

FIG. 1 is a perspective bottom view of the receptacle electrical terminal assembly;  
 FIG. 2 is a perspective top view thereof, shown with environment;  
 FIG. 3 is a right side elevation view thereof, shown with environment;  
 FIG. 4 is a top plan elevation view thereof;  
 FIG. 5 is a left side elevation view thereof, shown with environment;  
 FIG. 6 is a rear elevation view thereof, shown with environment;  
 FIG. 7 is a bottom plan view thereof; and,  
 FIG. 8 is a front elevation view thereof, shown with environment.

Any broken lines are for the purpose of illustrating the environment of the article only and form no part of the claimed design.

**1 Claim, 3 Drawing Sheets**



(56)

**References Cited**

U.S. PATENT DOCUMENTS

10,680,370 B1 \* 6/2020 Martins ..... H01R 4/64  
10,840,611 B1 \* 11/2020 Martins ..... H01R 13/03  
2002/0004325 A1 \* 1/2002 Pereira ..... H01R 43/0263  
439/83  
2003/0013352 A1 \* 1/2003 Machado ..... H01R 11/282  
439/855  
2015/0187462 A1 \* 7/2015 Kondo ..... H01R 43/16  
310/71  
2020/0313329 A1 \* 10/2020 Martins ..... H01R 13/20

FOREIGN PATENT DOCUMENTS

JP 2010176880 A \* 8/2010  
JP 2014011133 A \* 1/2014 ..... H01R 4/029

\* cited by examiner

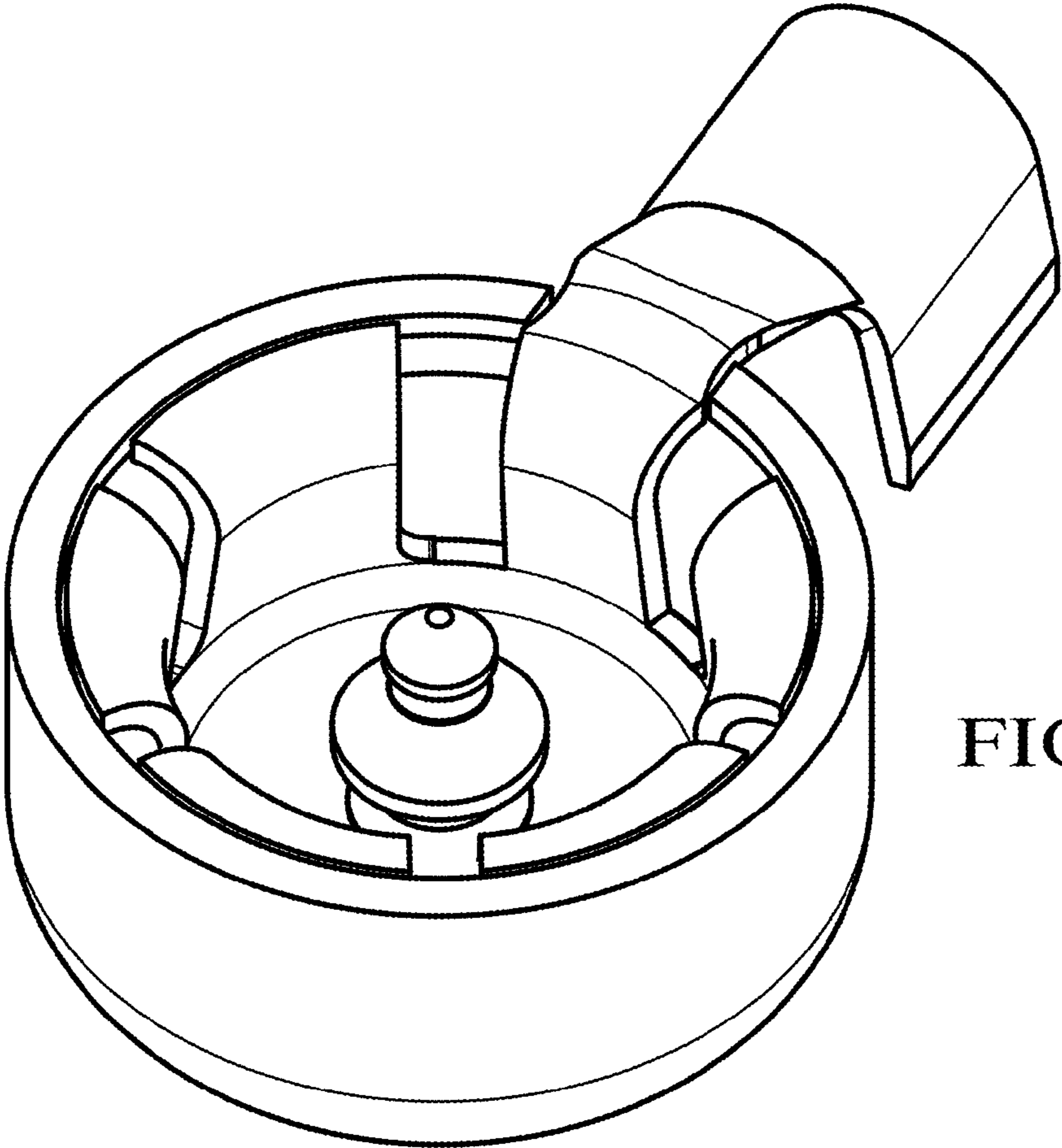


FIG. 1

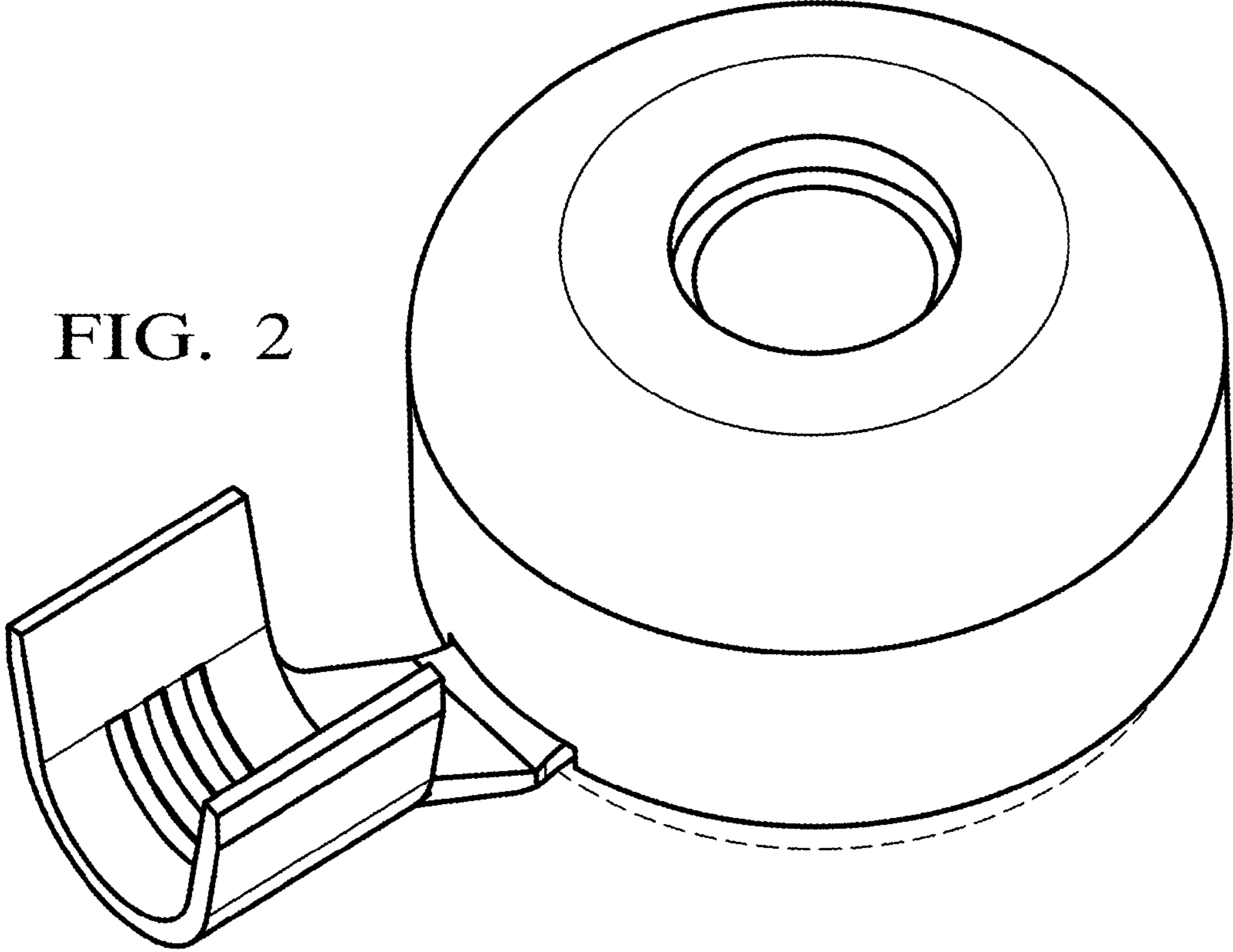


FIG. 2

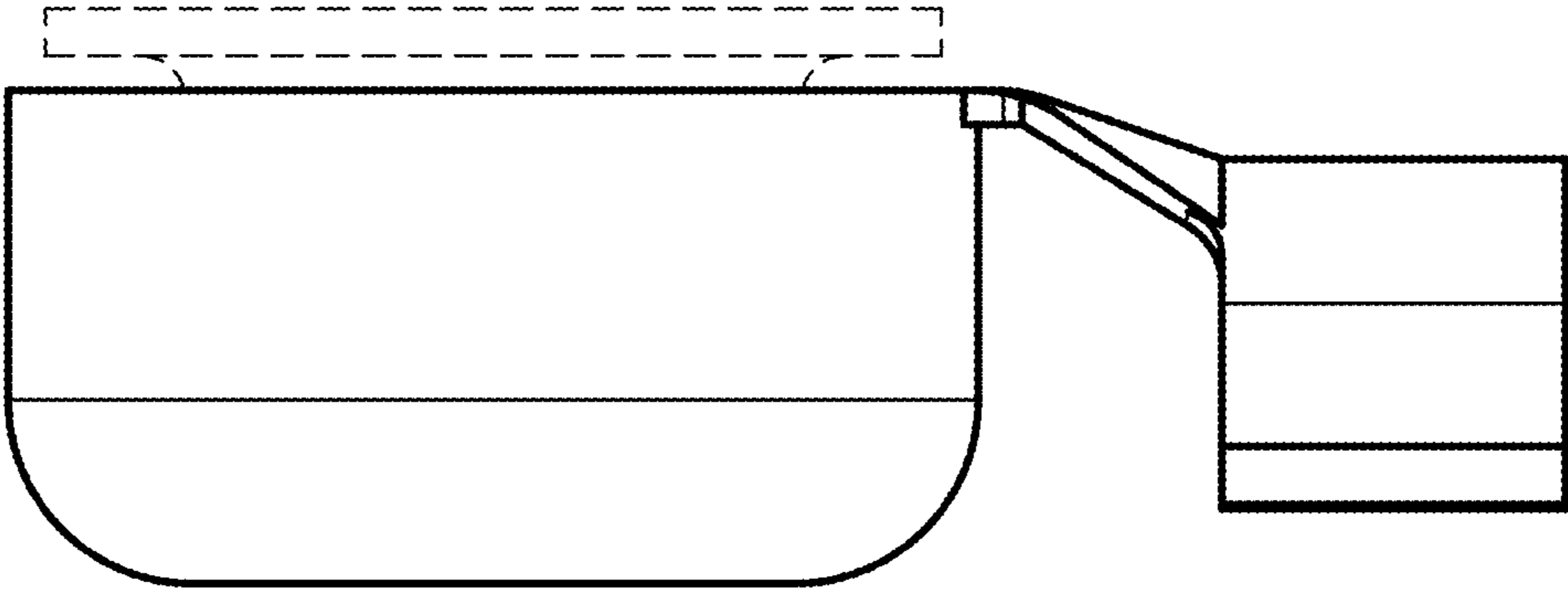


FIG. 3

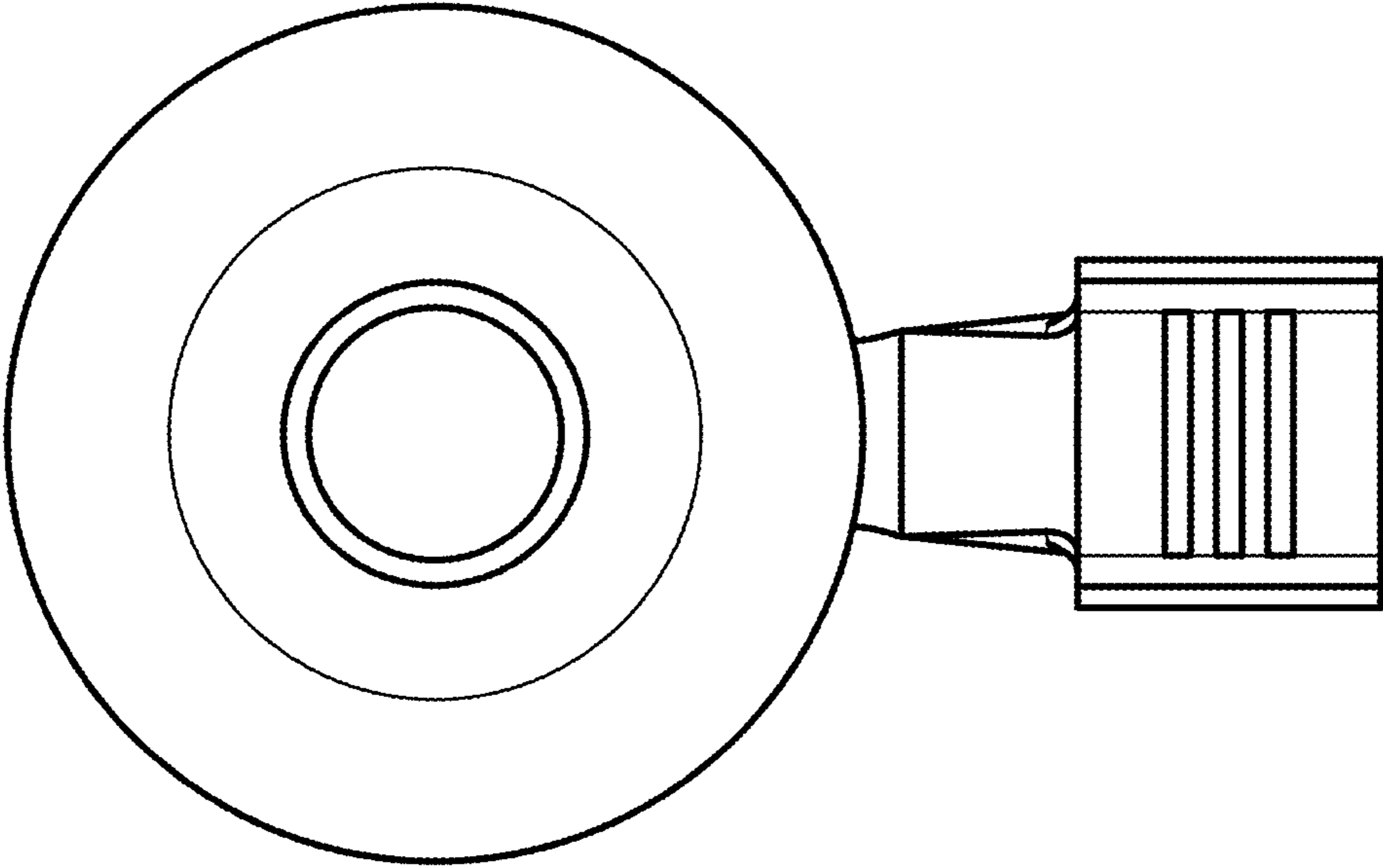


FIG. 4

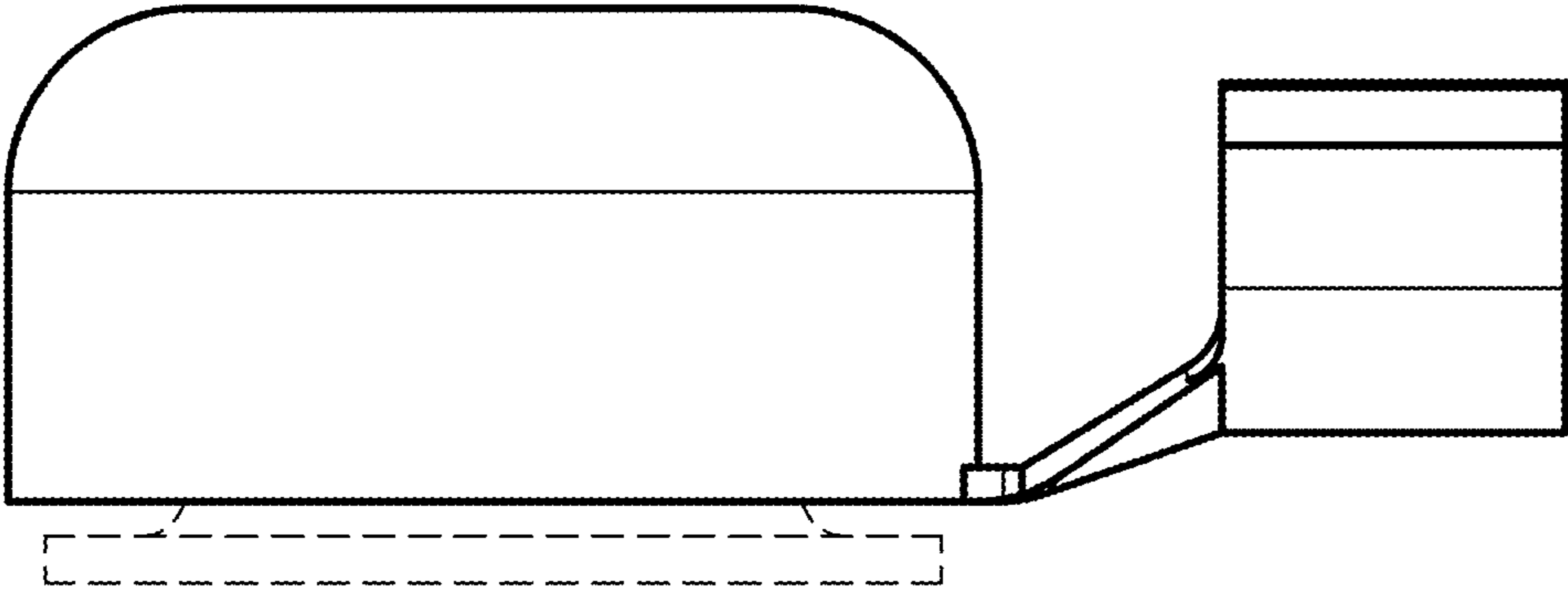


FIG. 5

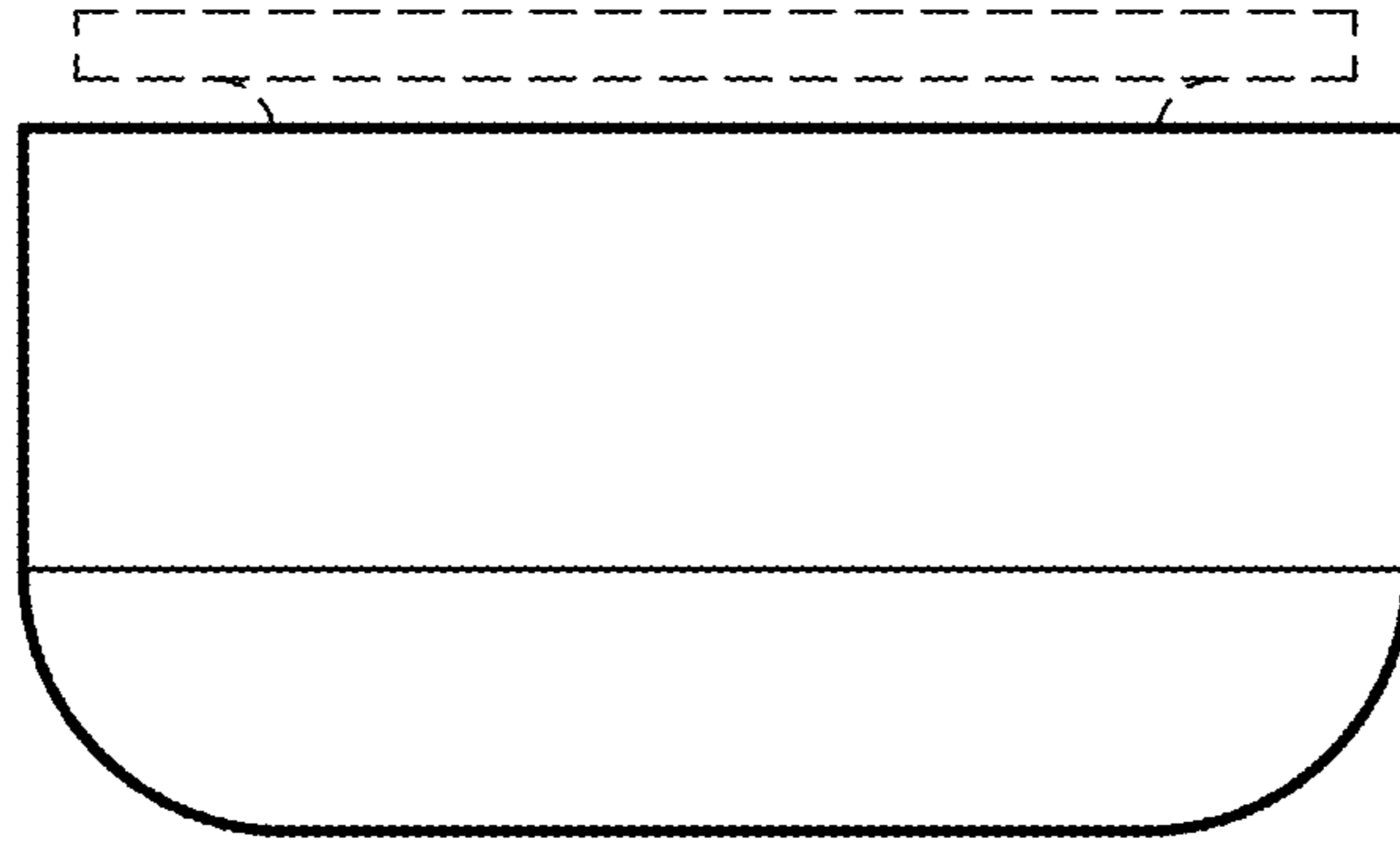


FIG. 8

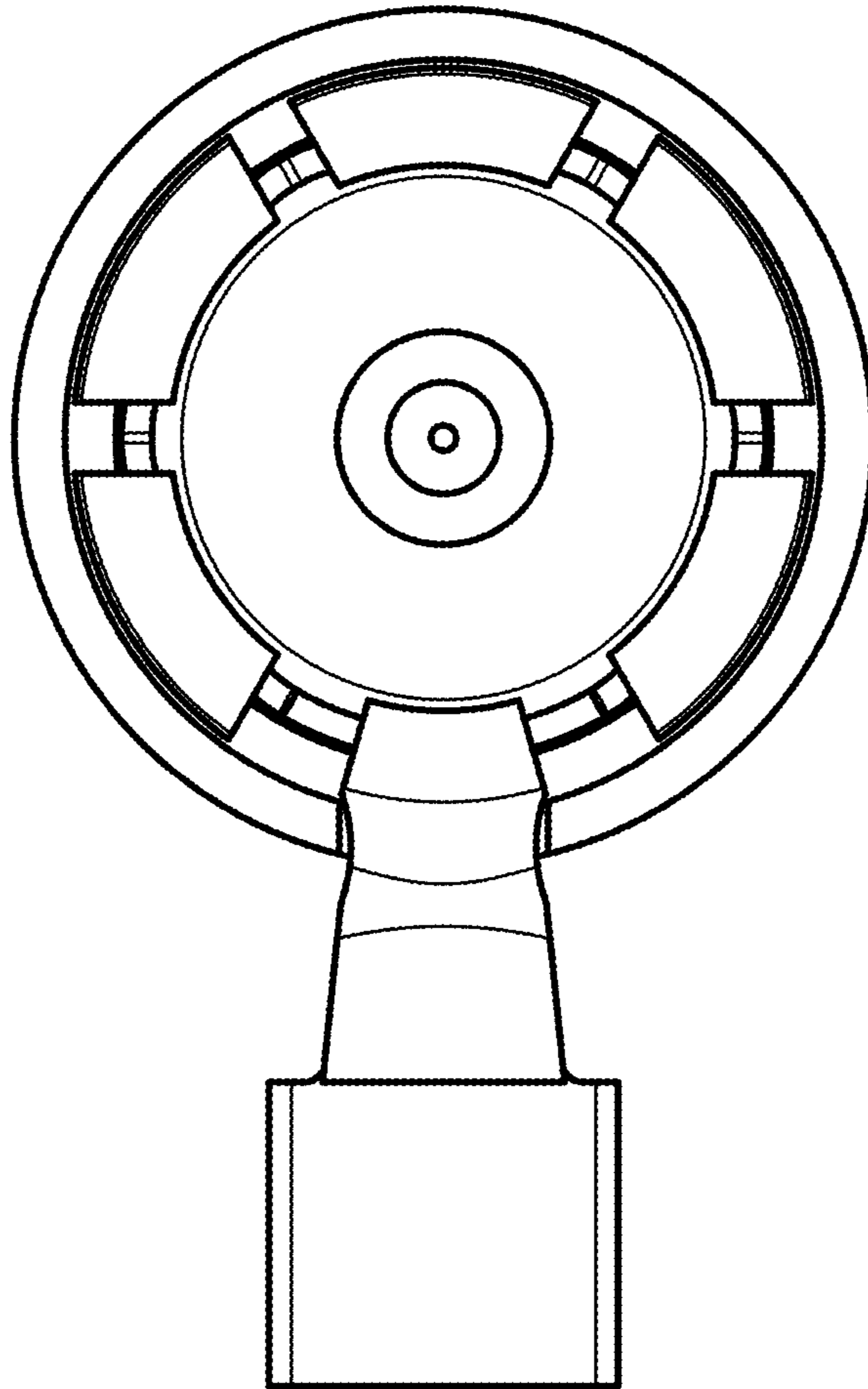


FIG. 7

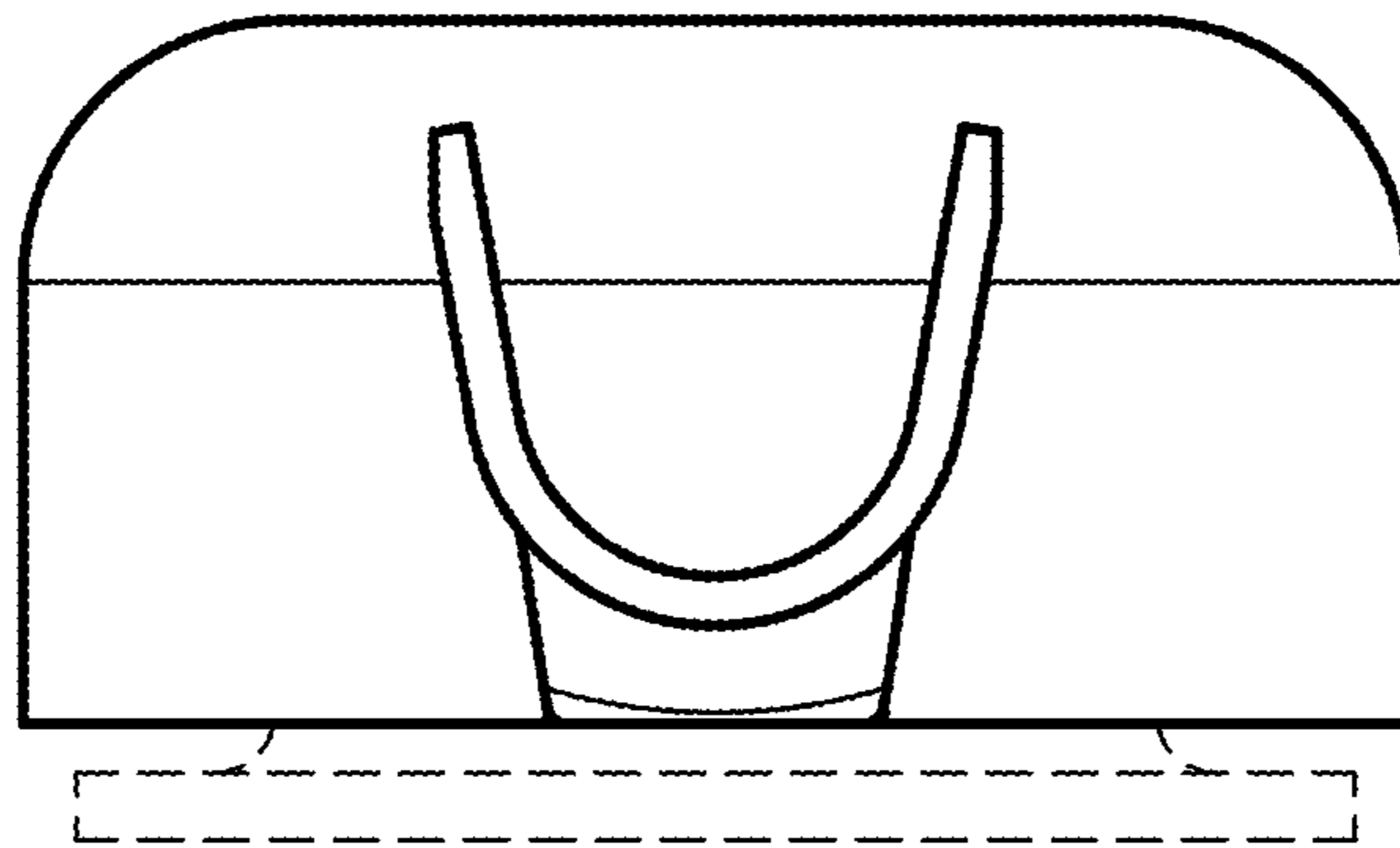


FIG. 6