



US00D924145S

(12) **United States Design Patent**
Martins et al.

(10) **Patent No.:** **US D924,145 S**
(45) **Date of Patent:** **** Jul. 6, 2021**

(54) **RECEPTACLE ELECTRICAL TERMINAL**

(71) Applicant: **Antaya Technologies Corporation**,
Warwick, RI (US)

(72) Inventors: **David B. Martins**, Fall River, MA
(US); **Marco M. Lucci**, Cranston, RI
(US); **Timothy S. Craven**, West
Warwick, RI (US); **Michael J.
Palombo**, Warwick, RI (US)

(73) Assignee: **Antaya Technologies Corporation**,
Warwick, RI (US)

(**) Term: **15 Years**

(21) Appl. No.: **29/698,939**

(22) Filed: **Jul. 22, 2019**

(51) **LOC (13) Cl.** **13-03**

(52) **U.S. Cl.**
USPC **D13/133; D13/154**

(58) **Field of Classification Search**
USPC D13/107, 118-120, 123, 133, 146-149,
D13/151, 154, 156, 173, 184, 199
CPC .. H01R 4/02; H01R 9/05; H01R 11/11; H01R
11/22; H01R 11/28; H01R 13/00; H01R
13/05; H01R 13/11

See application file for complete search history.

(56) **References Cited**

U.S. PATENT DOCUMENTS

3,980,388 A	9/1976	Nailor	
4,112,941 A *	9/1978	Larimore	A61B 5/274
			600/394
4,983,133 A *	1/1991	Van Scyoc	H01R 11/12
			439/860
5,897,406 A *	4/1999	Benes	H05B 3/84
			439/859
6,428,355 B1	8/2002	Machado	
6,607,409 B2	8/2003	Machado	

7,070,461 B1 *	7/2006	Pavlovic	H01R 11/12	439/766
D576,952 S *	9/2008	Hung	D13/133	
8,496,503 B2 *	7/2013	Lamoureux	H01R 13/111	439/860
D873,415 S *	1/2020	Zhou	D24/167	
10,680,370 B1 *	6/2020	Martins	H01R 4/64	
10,840,611 B1 *	11/2020	Martins	H01R 13/03	
2002/0004325 A1 *	1/2002	Pereira	H01R 43/0263	439/83
2003/0013352 A1 *	1/2003	Machado	H01R 11/282	439/855
2015/0187462 A1 *	7/2015	Kondo	H01R 43/16	310/71
2020/0313329 A1 *	10/2020	Martins	H01R 13/20	

FOREIGN PATENT DOCUMENTS

EP	1998410 A1 *	12/2008	H01R 13/20
JP	2001167810 A *	6/2001	
JP	2010176880 A *	8/2010	
JP	2014011133 A *	1/2014	H01R 4/029

* cited by examiner

Primary Examiner — Shawn T Gingrich

(74) *Attorney, Agent, or Firm* — Billion & Armitage

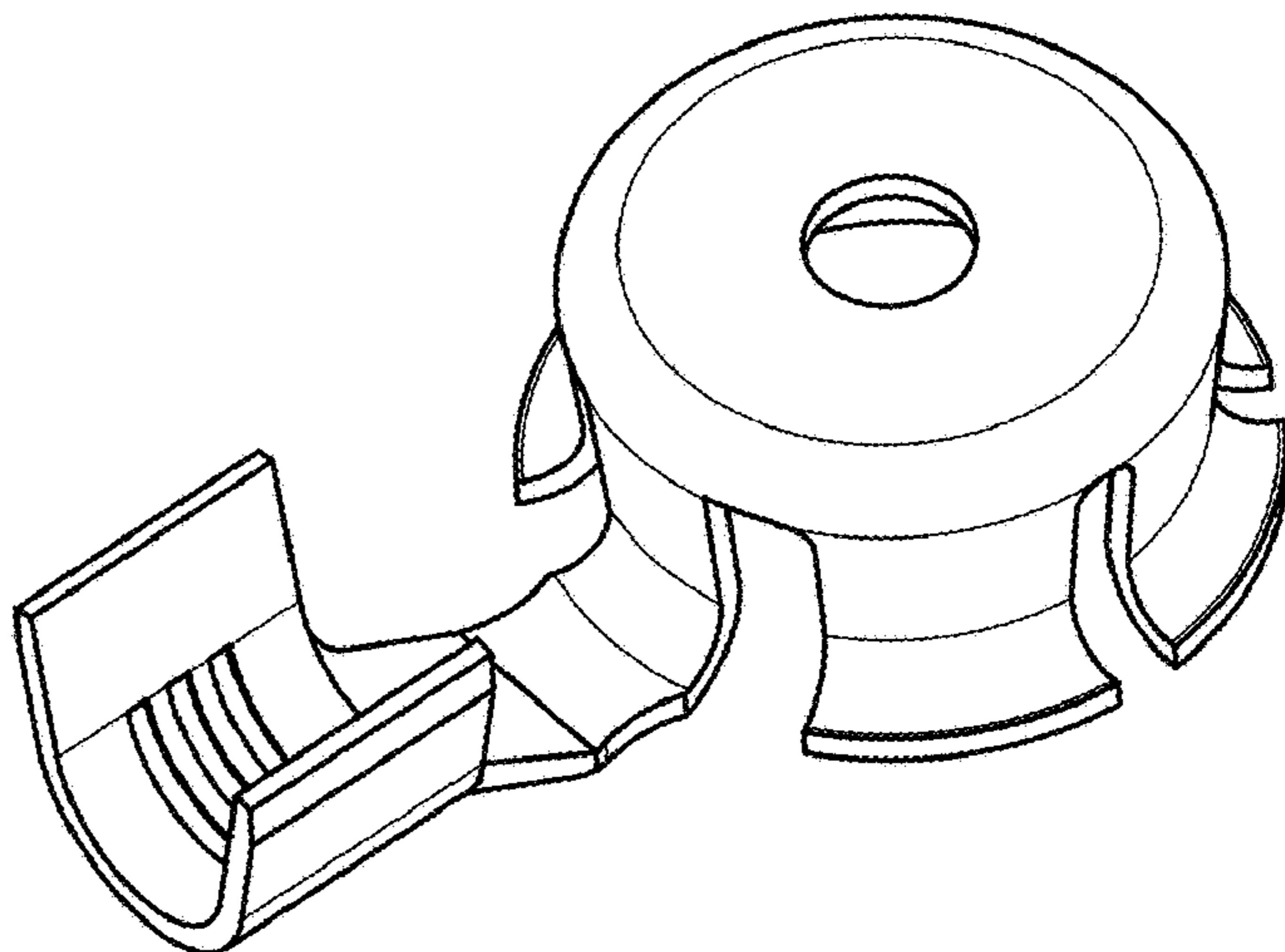
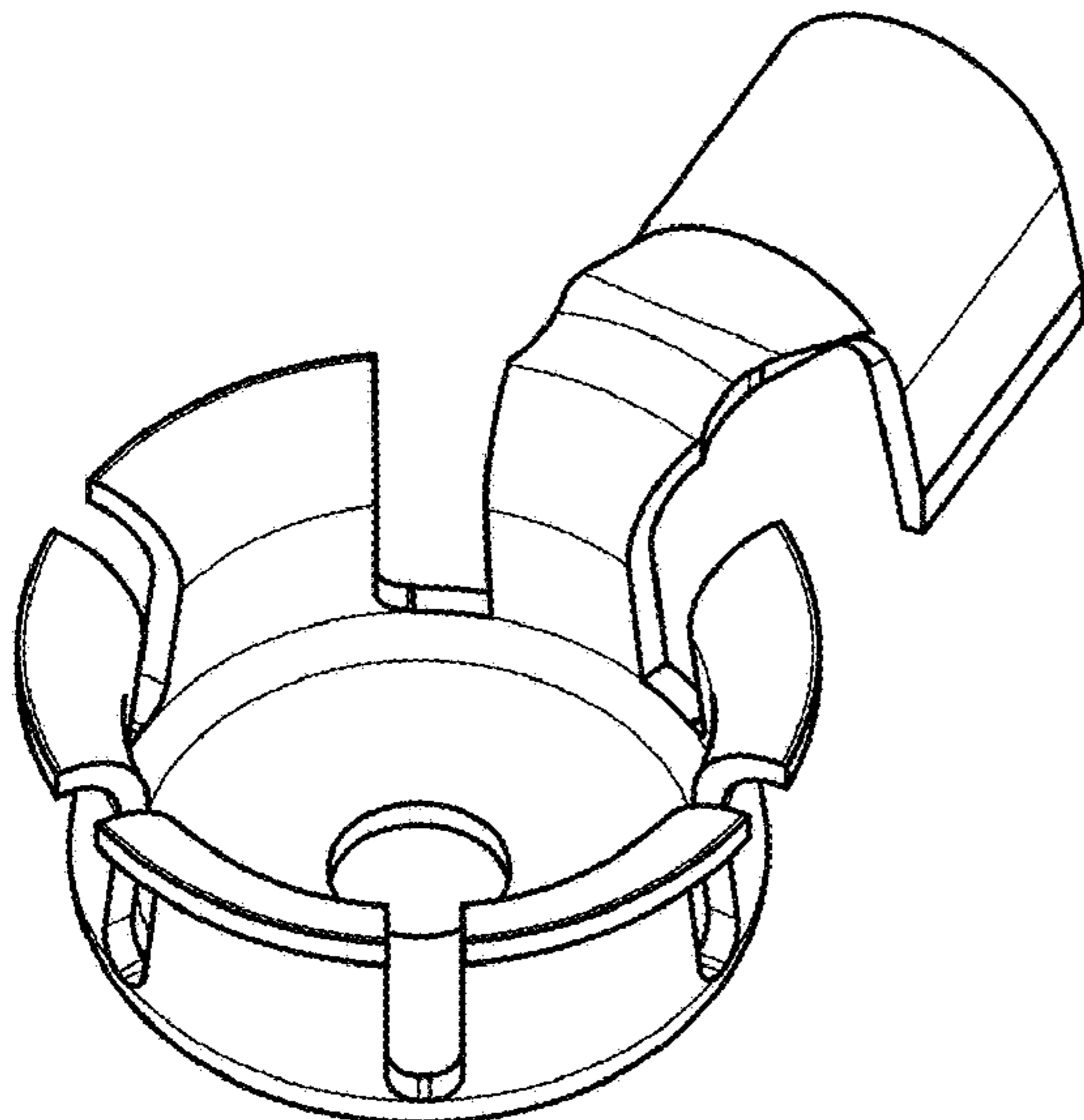
(57) **CLAIM**

We claim an ornamental design for a receptacle electrical terminal, as shown and described.

DESCRIPTION

FIG. 1 is a perspective bottom view of the receptacle electrical terminal;
FIG. 2 is a perspective top view thereof;
FIG. 3 is a right side elevation view thereof;
FIG. 4 is a top plan elevation view thereof;
FIG. 5 is a left side elevation view thereof;
FIG. 6 is a rear elevation view thereof;
FIG. 7 is a bottom plan view thereof; and,
FIG. 8 is a front elevation view thereof.

1 Claim, 3 Drawing Sheets



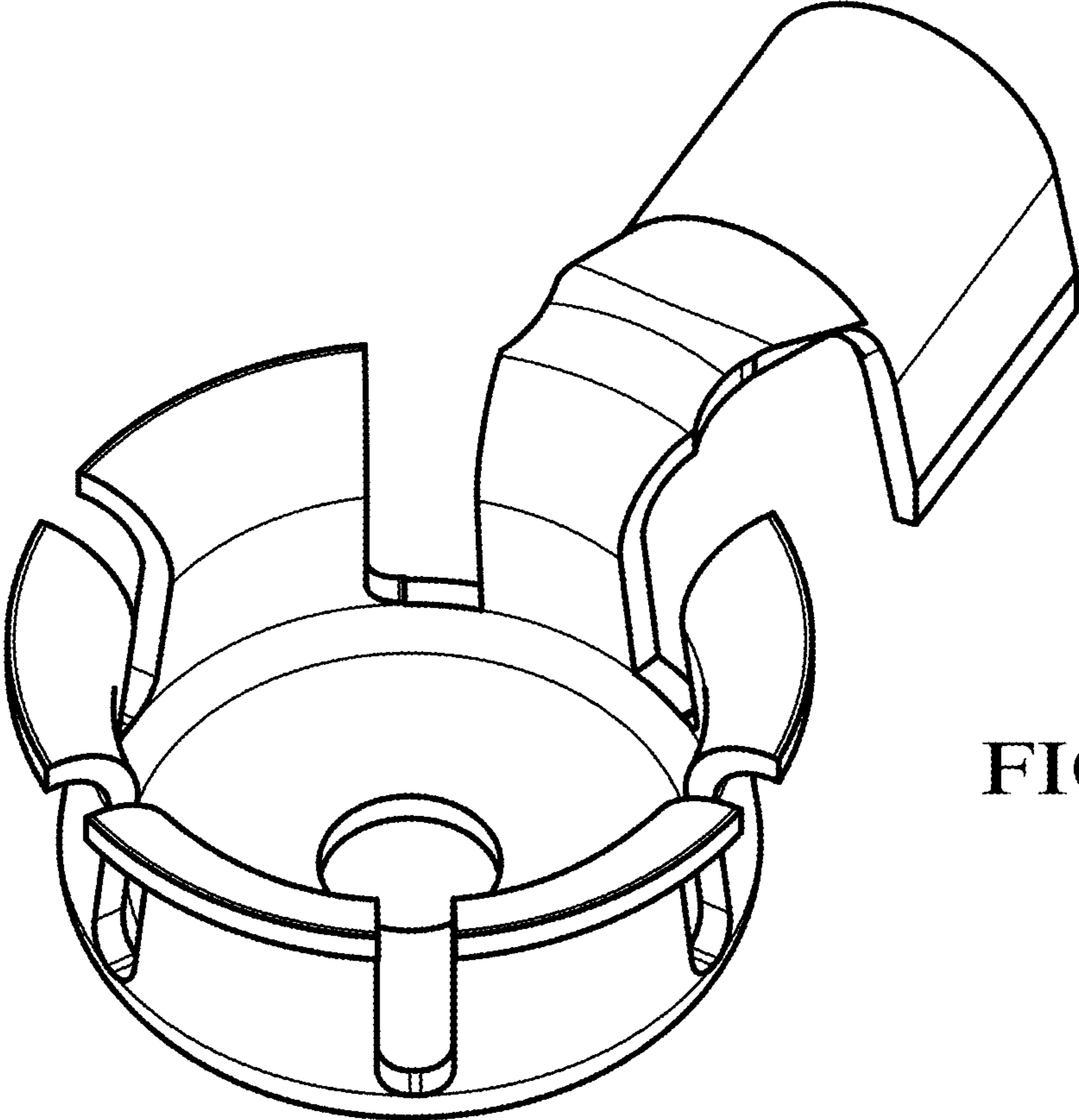


FIG. 1

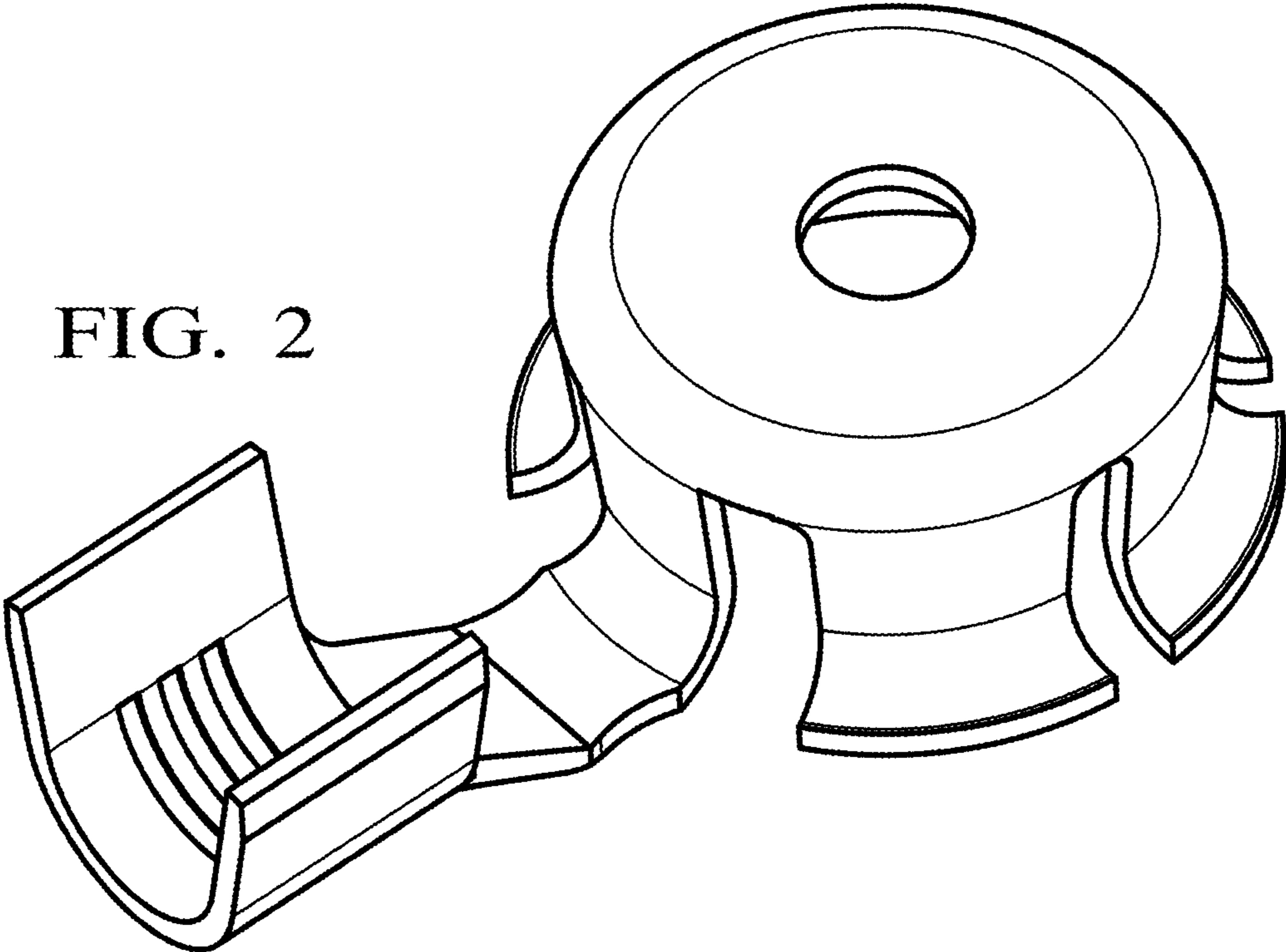


FIG. 2

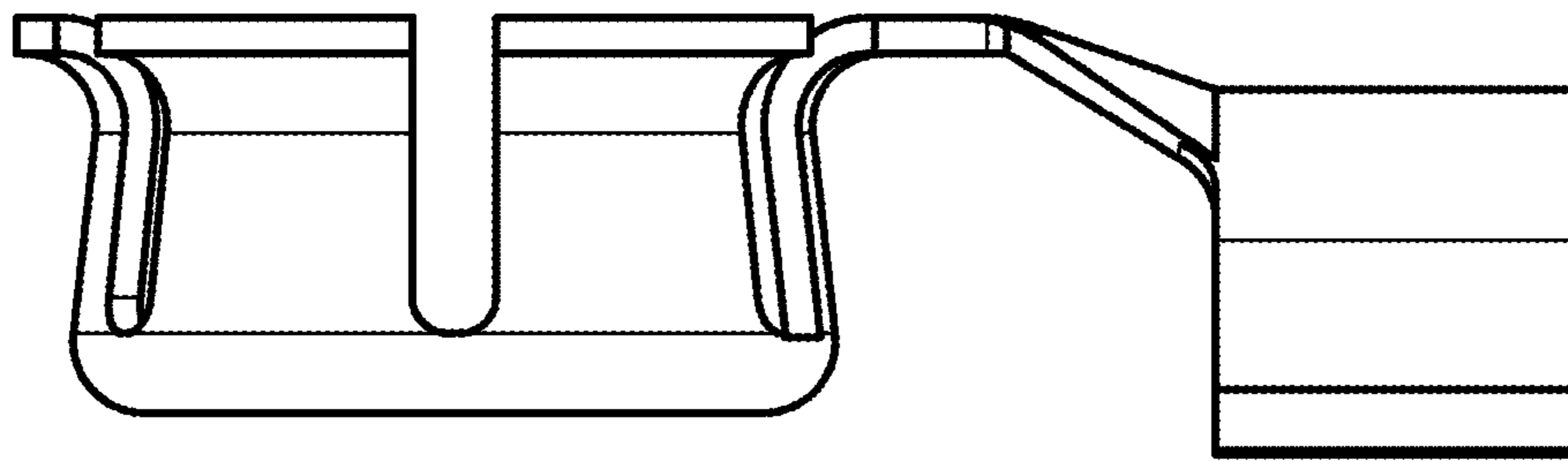


FIG. 3

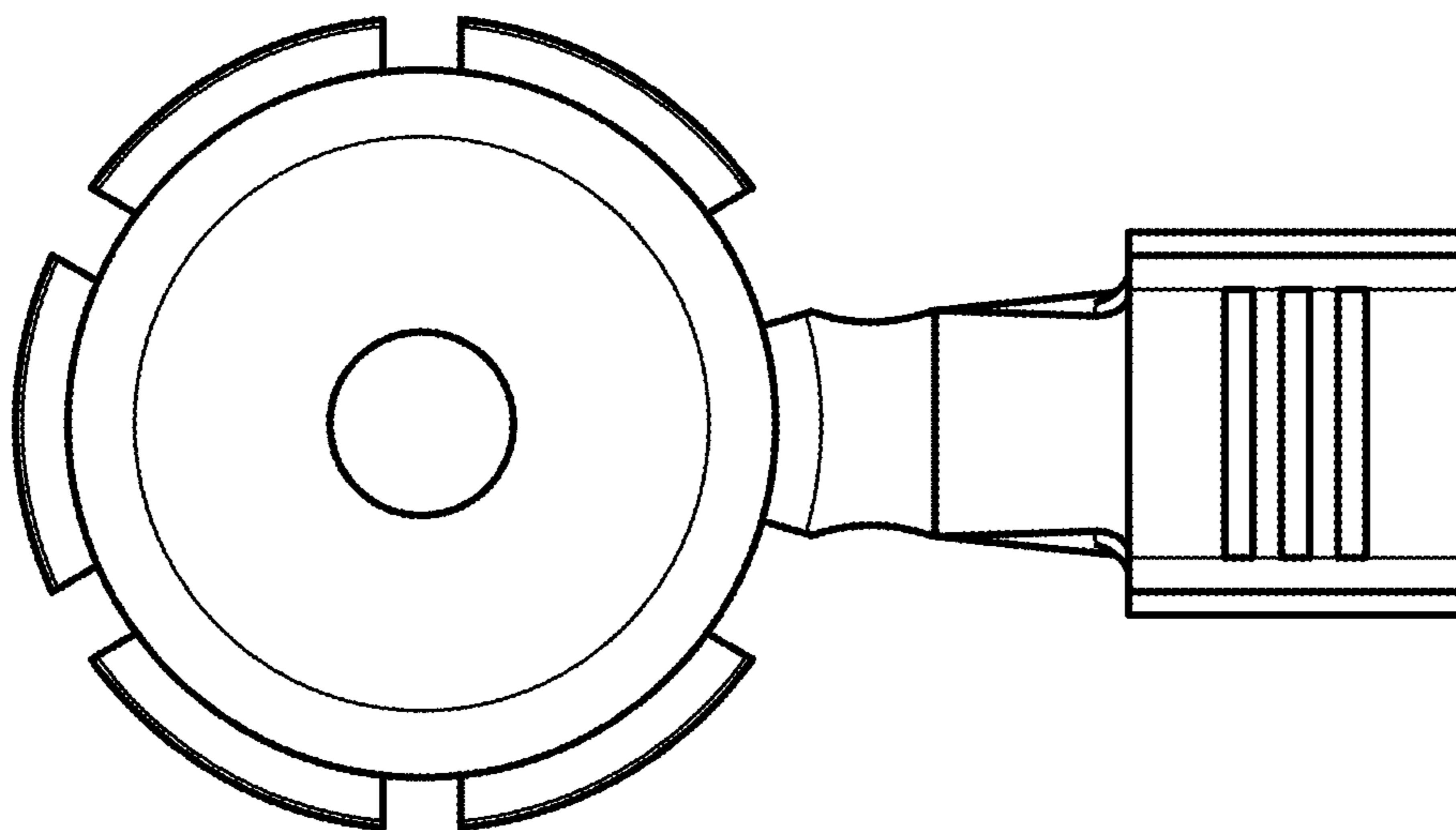


FIG. 4

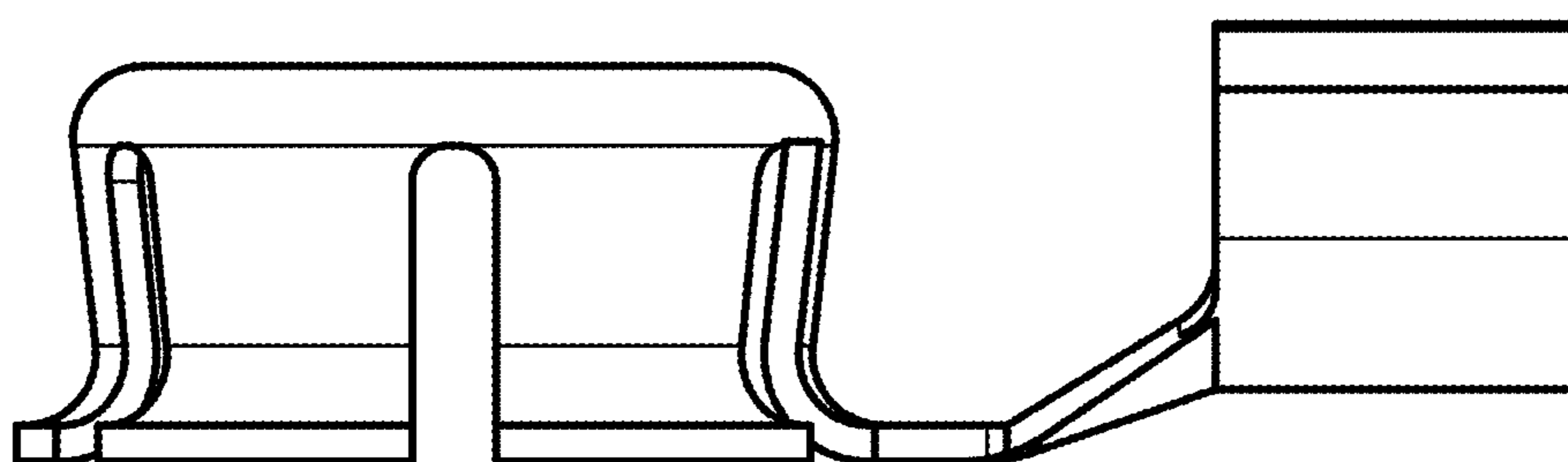


FIG. 5

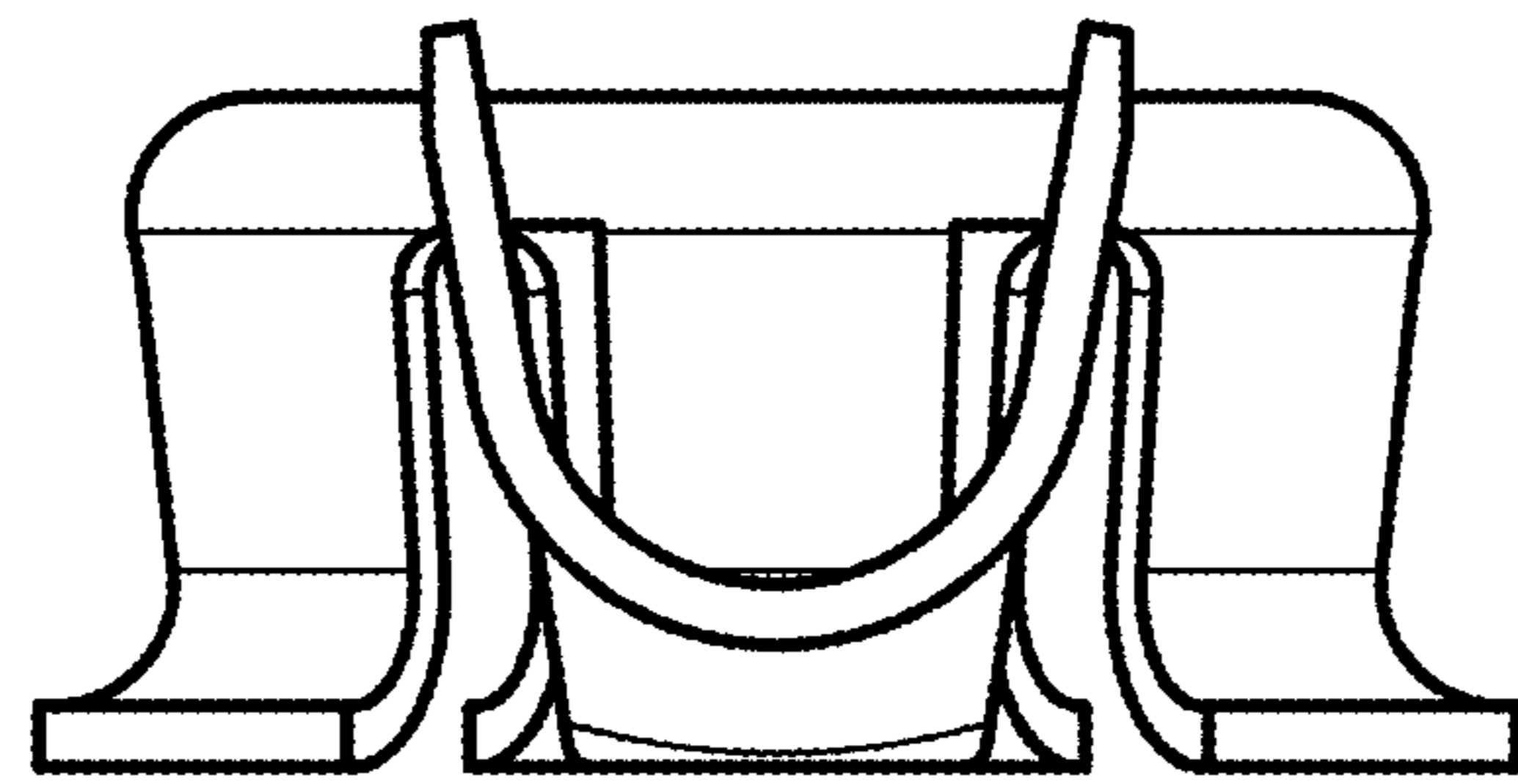


FIG. 6

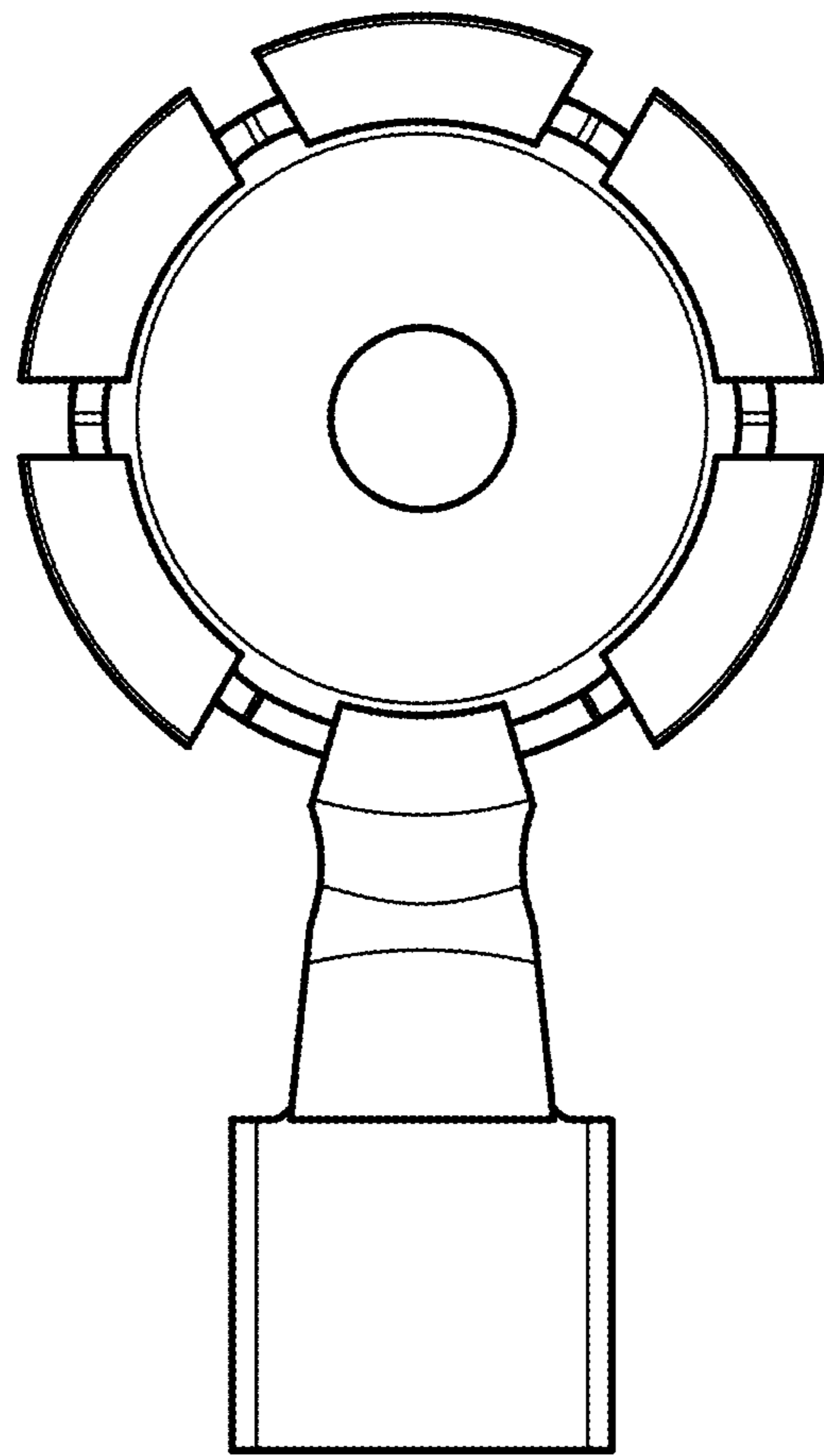


FIG. 7

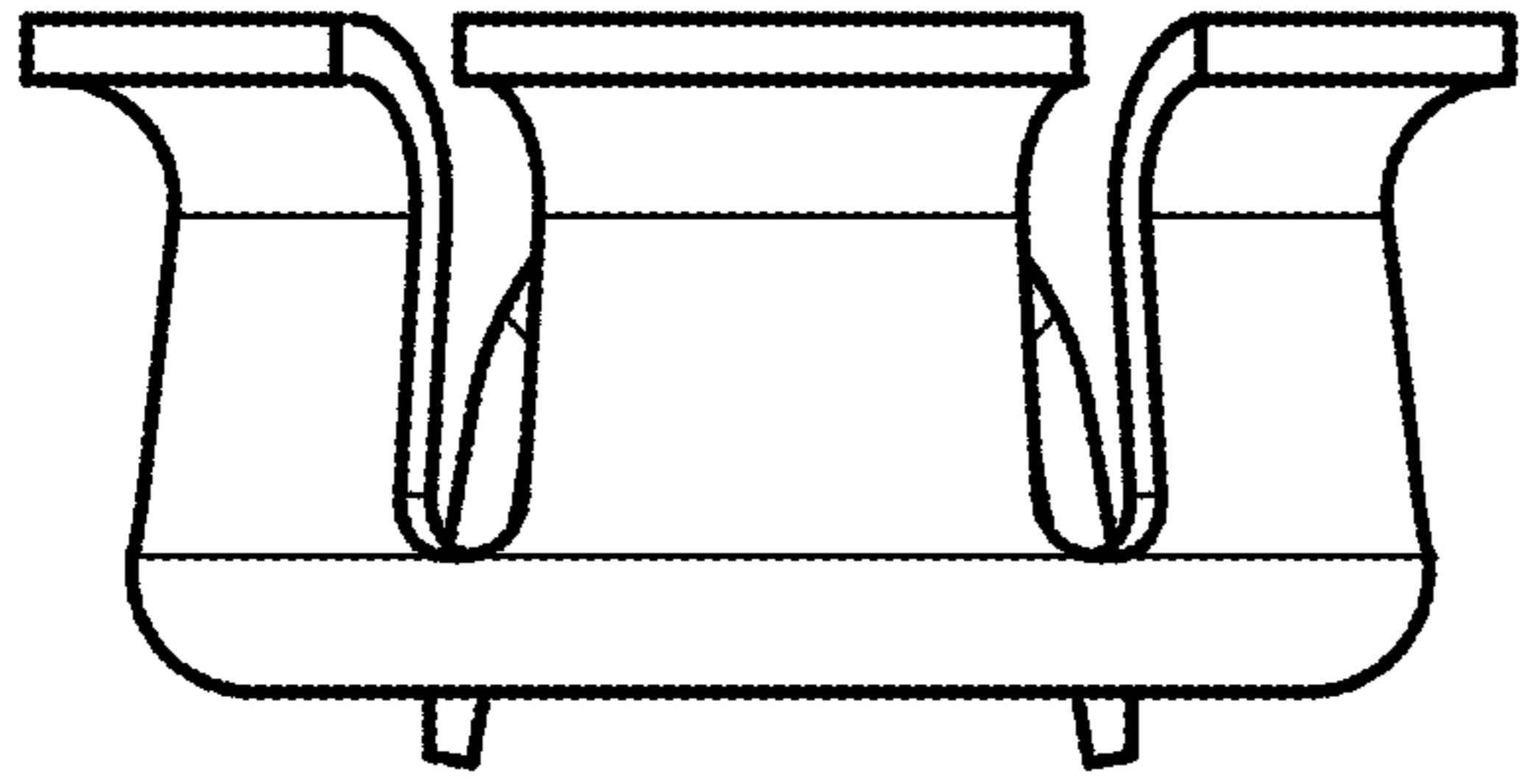


FIG. 8