

US00D924143S

(12) **United States Design Patent**
Delker et al.

(10) **Patent No.:** **US D924,143 S**

(45) **Date of Patent:** **** Jul. 6, 2021**

(54) **ELECTRICAL CONNECTION PLUG**

(71) Applicant: **Phoenix Contact GmbH & Co. KG**,
Blomberg (DE)

(72) Inventors: **Michael Delker**, Herrenberg (DE);
Hrvoje Babic, Reutlingen (DE);
Morten Harren, Herrenberg (DE);
Manfred Brode, Oeschelbronn (DE);
Markus Michel, Nagold (DE); **Markus**
Hermann, Ammerbuch-Breitenholz
(DE); **Joerg Zenkner**, Forchtenberg
(DE); **Lisa Gebhard**, Herrenberg (DE)

(73) Assignee: **PHOENIX CONTACT GMBH & CO.**
KG, Blomberg (DE)

(**) Term: **15 Years**

(21) Appl. No.: **29/685,982**

(22) Filed: **Apr. 2, 2019**

(30) **Foreign Application Priority Data**

Oct. 29, 2018 (EM) 005812302

(51) **LOC (13) Cl.** **13-03**

(52) **U.S. Cl.**
USPC **D13/133; D13/151**

(58) **Field of Classification Search**
USPC D13/123, 133, 146, 147, 149, 154, 156,
D13/173, 184, 199, 151
CPC . H01R 9/00; H01R 9/05; H01R 12/00; H01R
13/00; H01R 13/26; H01R 13/42; H01R
13/46; H01R 13/622; H01R 24/00; H01R
4/38; H01R 13/424; H01R 13/506; H01R
13/62; H01R 24/38
See application file for complete search history.

(56) **References Cited**

U.S. PATENT DOCUMENTS

D509,474 S * 9/2005 Bihrer D13/146
D524,741 S * 7/2006 Bihrer D13/146

D525,203 S * 7/2006 Bihrer D13/146
D529,441 S * 10/2006 LaPere D13/133
D582,851 S * 12/2008 Lavy D13/133
D714,724 S * 10/2014 Vogelmann D13/133
D714,725 S * 10/2014 Vogelmann D13/133
D836,069 S * 12/2018 Barrefelt D13/133
10,644,434 B2 * 5/2020 Sheets H01R 13/504
10,727,633 B2 * 7/2020 Purdy H01R 9/05
2005/0118853 A1 * 6/2005 Starke H01R 13/625
439/320
2006/0172580 A1 * 8/2006 Scholler H01R 13/5202
439/321
2007/0037429 A1 * 2/2007 Scholler H01R 13/622
439/312
2009/0170364 A1 * 7/2009 Scholler H01R 13/622
439/359

(Continued)

Primary Examiner — Shawn T Gingrich

(74) *Attorney, Agent, or Firm* — Leydig, Voit & Mayer,
Ltd.

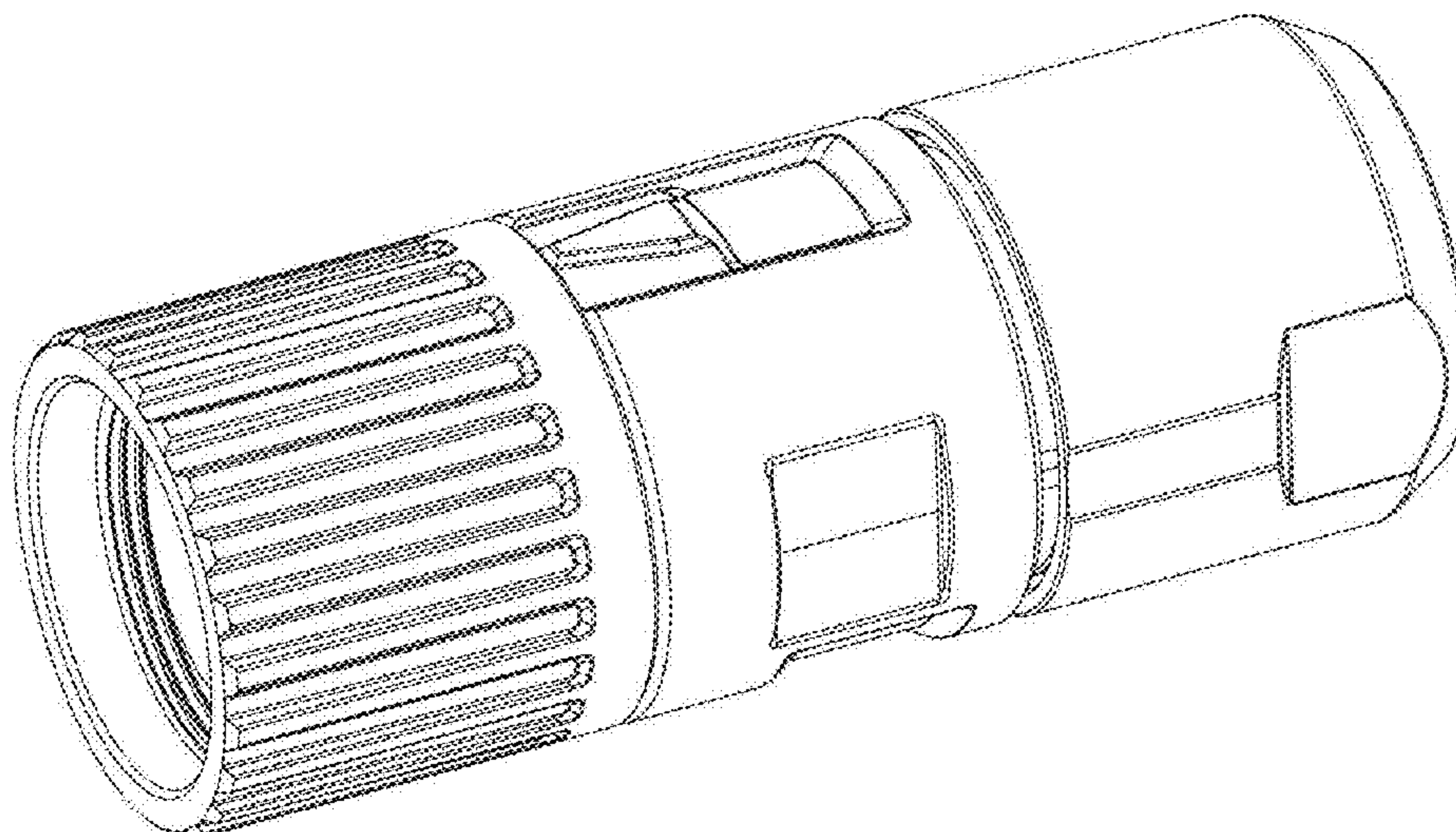
(57) **CLAIM**

The ornamental design for an electrical connection plug, as
shown and described.

DESCRIPTION

FIG. 1 is a front-right-top perspective view of an electrical
connection plug showing an embodiment of our new design;
FIG. 2 is a right-end view thereof;
FIG. 3 is a front view thereof;
FIG. 4 is a top view thereof;
FIG. 5 is a rear view thereof;
FIG. 6 is a bottom view thereof; and,
FIG. 7 is a left-end view thereof.
The broken lines in the drawings illustrate portions of the
electrical connection plug that form no part of the claimed
design.

1 Claim, 7 Drawing Sheets



(56)

References Cited

U.S. PATENT DOCUMENTS

2010/0104355 A1* 4/2010 Sugimoto G02B 6/3897
403/292
2011/0294335 A1* 12/2011 Sagdic H01R 13/58
439/359
2013/0133915 A1* 5/2013 Feye-Hohmann
H01R 13/6273
174/50
2015/0041174 A1* 2/2015 Franke H02G 15/02
174/82
2015/0047898 A1* 2/2015 Sagdic H01B 17/583
174/657
2016/0134032 A1* 5/2016 Hall H01R 43/0207
439/578
2017/0133773 A1* 5/2017 Starke H01R 43/20
2020/0091630 A1* 3/2020 Wang H01R 9/0518
2020/0227843 A1* 7/2020 Watkins H01R 9/0521

* cited by examiner

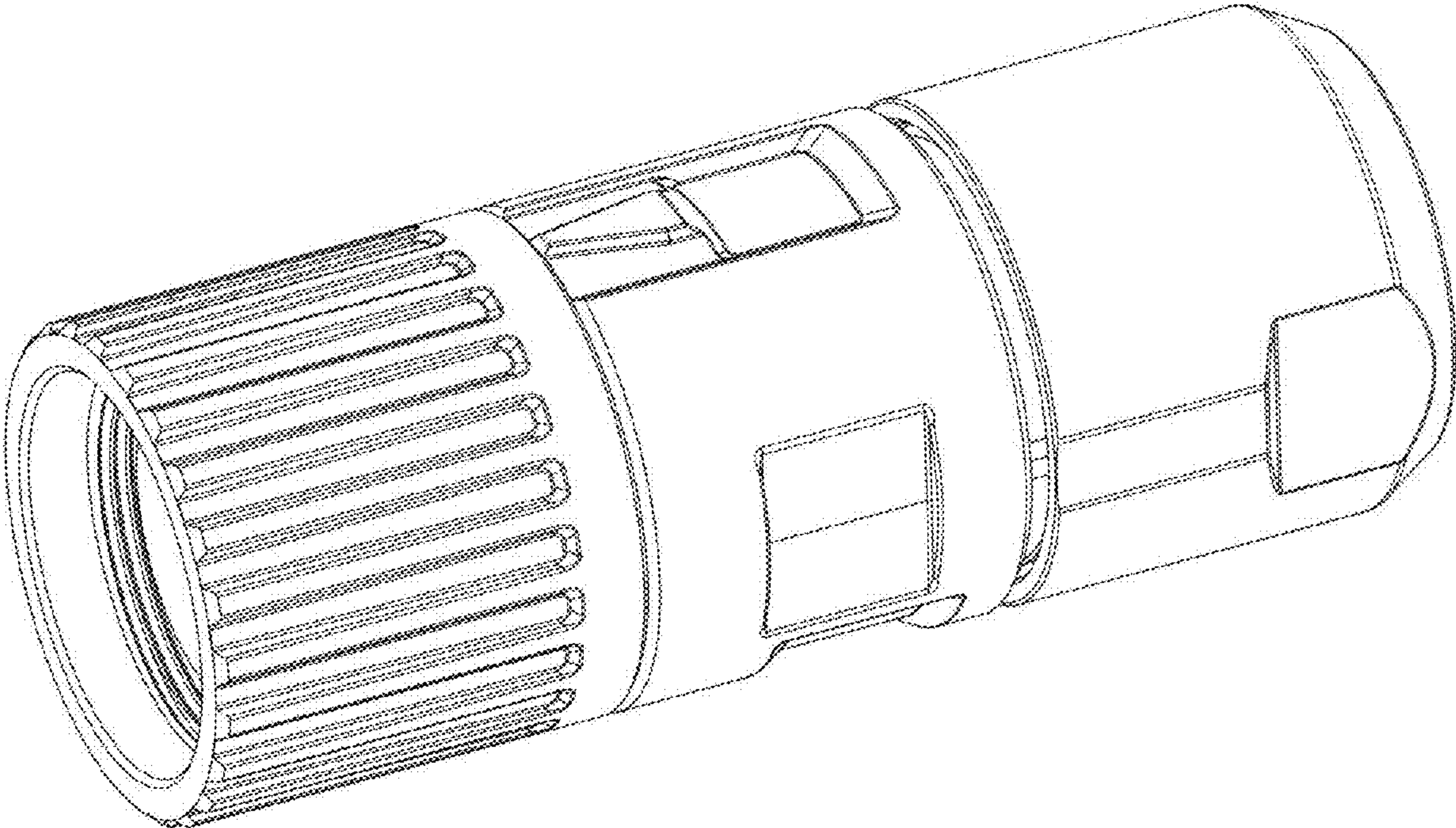


FIG. 1

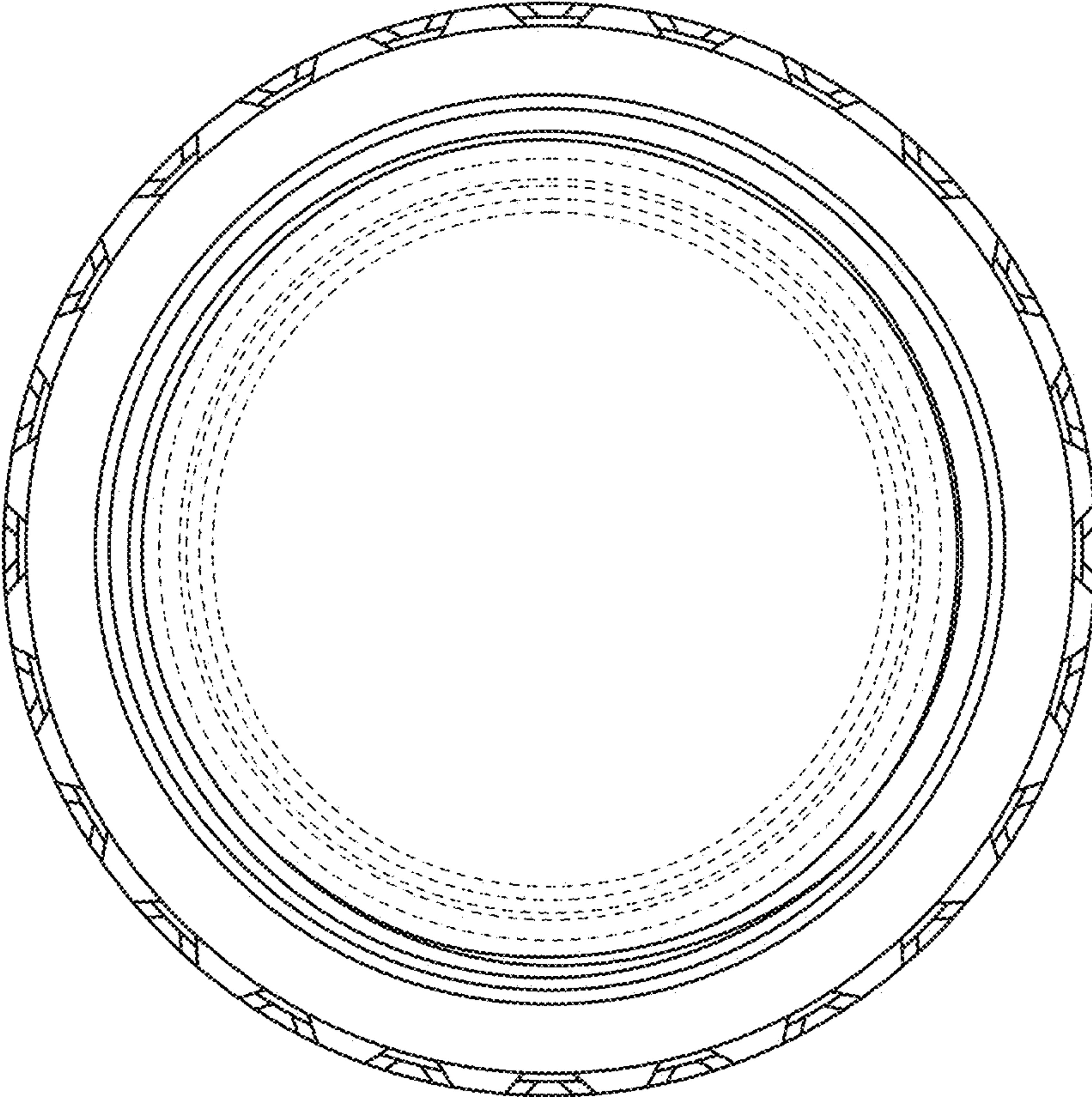


FIG. 2

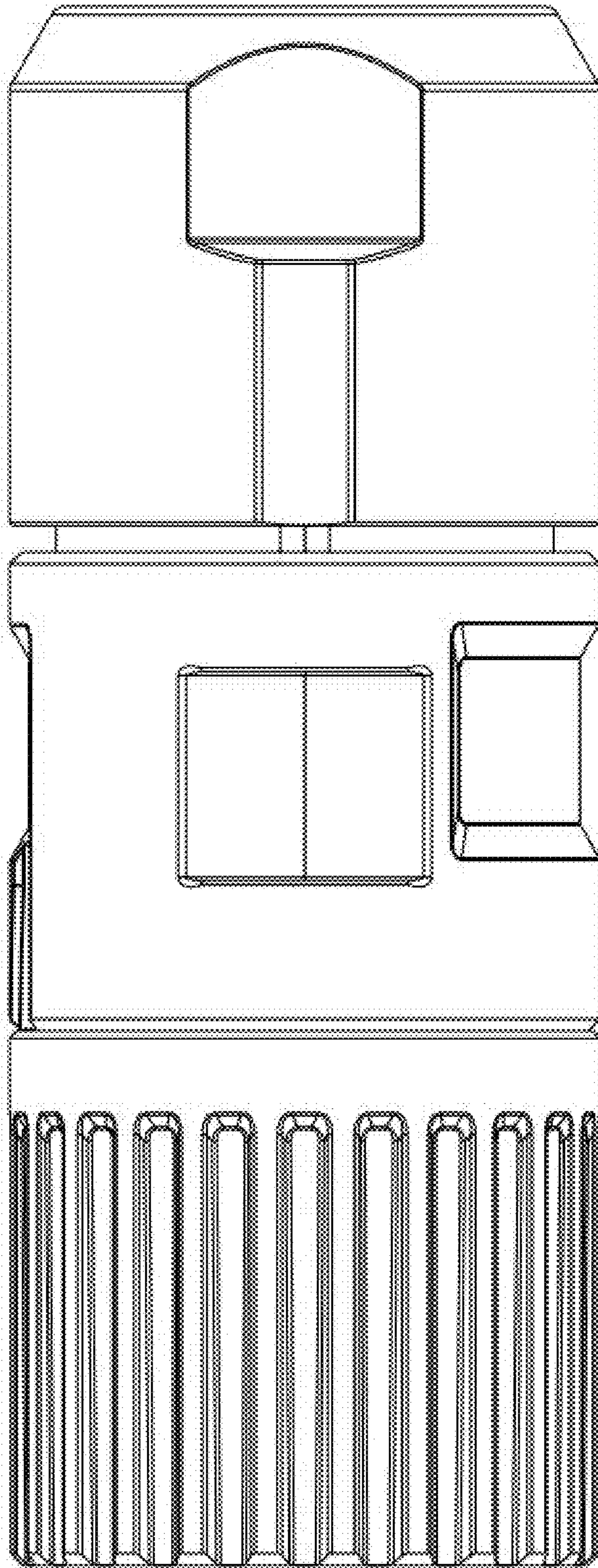


FIG. 3

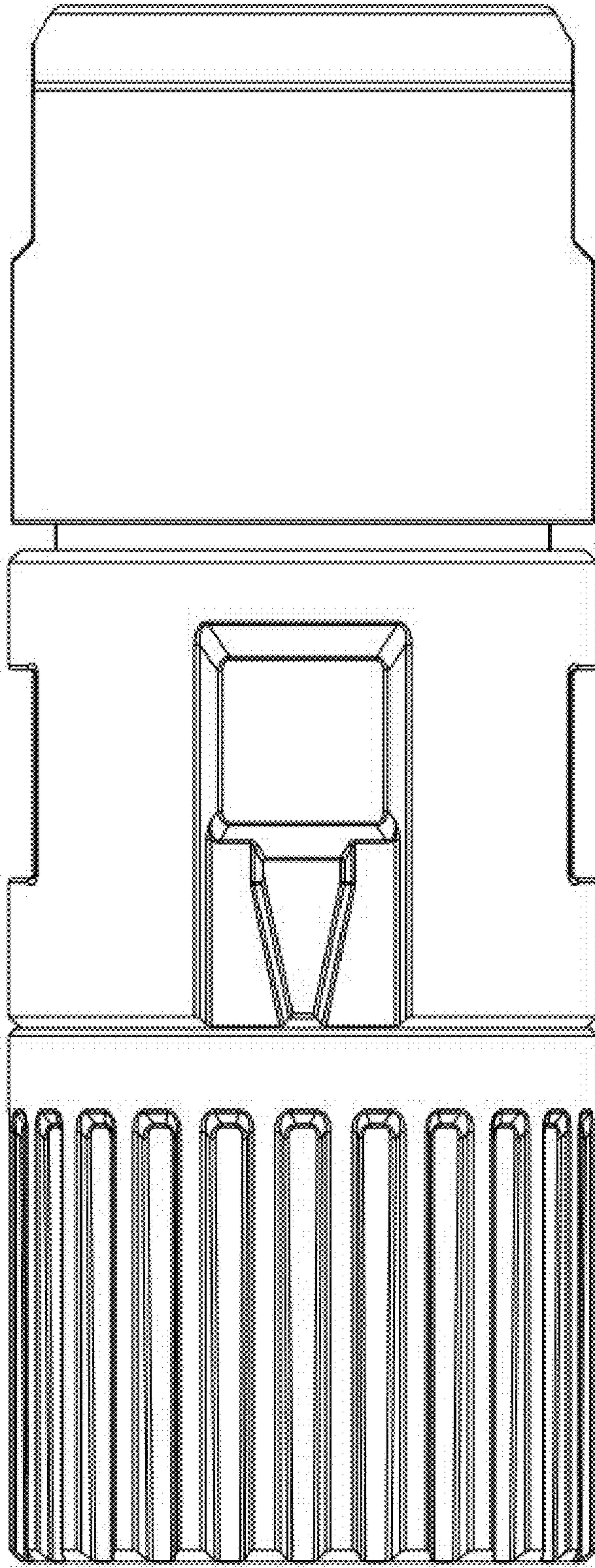


FIG. 4

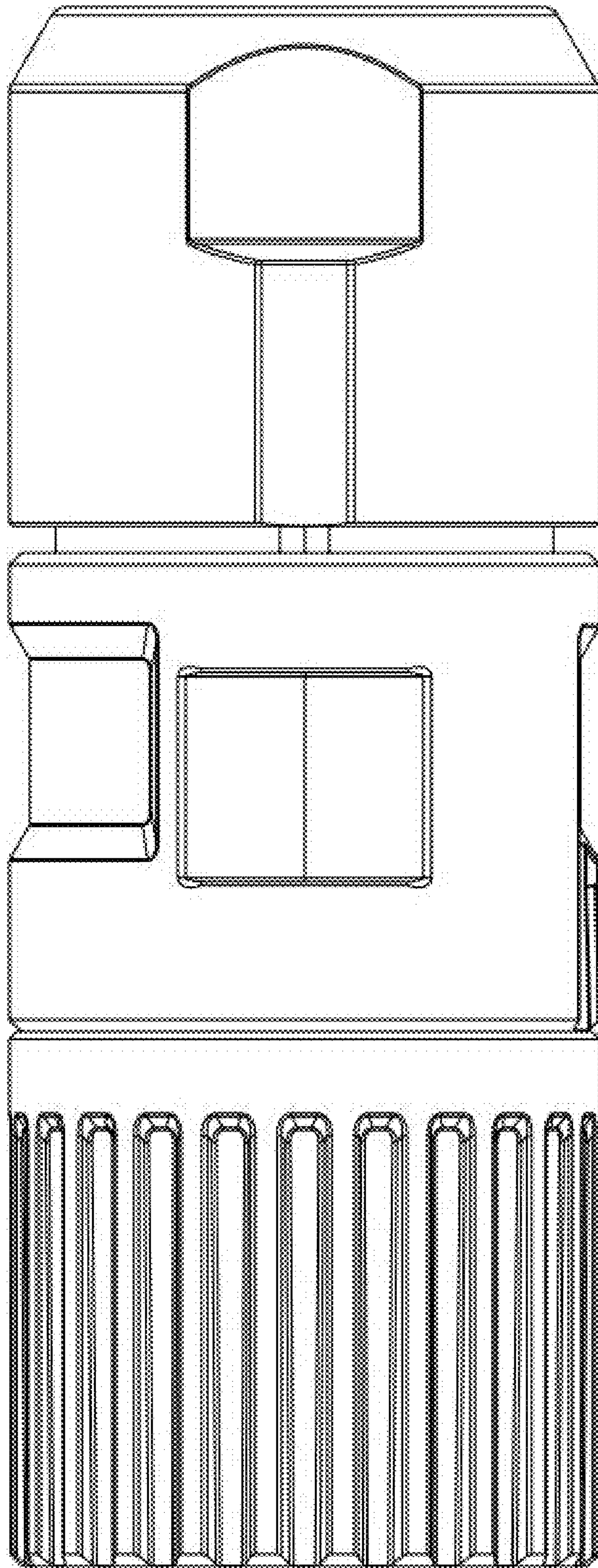


FIG. 5

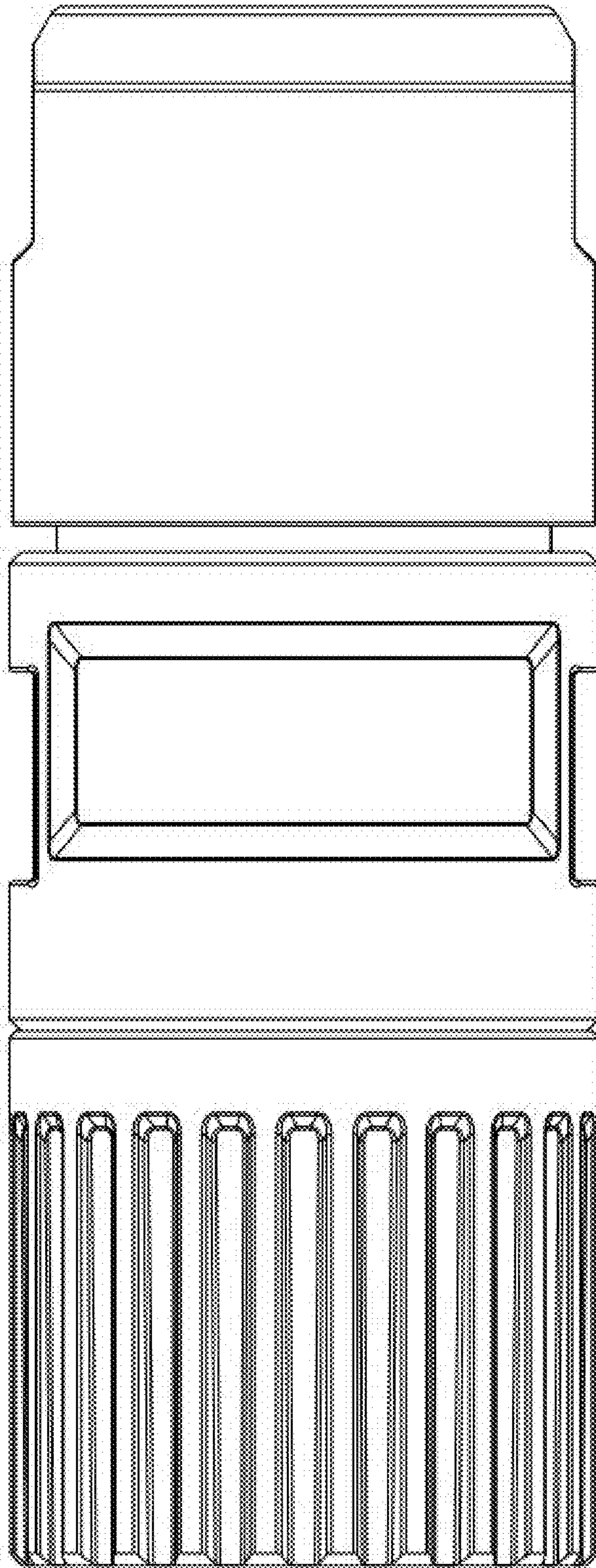


FIG. 6

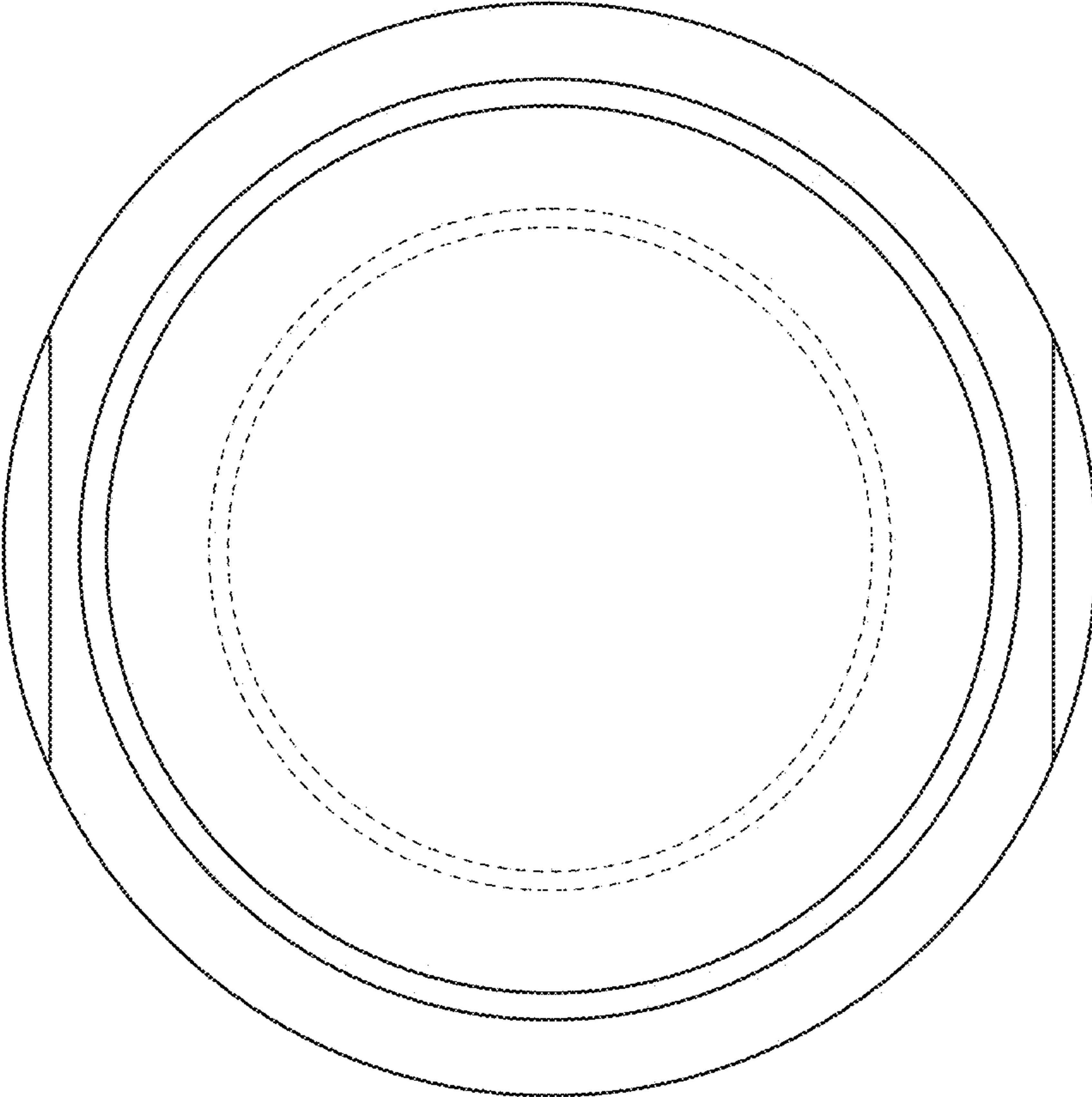


FIG. 7