



US00D924139S

(12) **United States Design Patent** (10) **Patent No.:** **US D924,139 S**  
**Jayne** (45) **Date of Patent:** **\*\* Jul. 6, 2021**

(54) **ENERGY MODULE WITH A BACKPLANE CONNECTOR**

(71) Applicant: **Ethicon LLC**, Guaynabo, PR (US)

(72) Inventor: **Madeleine C. Jayme**, Cincinnati, OH (US)

(73) Assignee: **Ethicon LLC**, Guaynabo, PR (US)

(\*\*) Term: **15 Years**

(21) Appl. No.: **29/704,616**

(22) Filed: **Sep. 5, 2019**

(51) **LOC (13) Cl.** ..... **13-03**

(52) **U.S. Cl.**  
USPC ..... **D13/123; D13/133**

(58) **Field of Classification Search**  
USPC ..... D13/107, 110, 118, 120, 123, 133, 146,  
D13/147, 149, 154, 184, 199  
CPC . G02B 6/38; G02F 1/1333; G02F 1/16; G02F  
1/18; H01R 12/00; H01R 12/16; H01R  
13/648; H01R 13/6586; H01R 13/66;  
H05K 5/00; H05K 7/14; A61B 17/20;  
A61B 17/36; A61B 18/00; A61B 18/12;  
A61B 18/22

See application file for complete search history.

(56) **References Cited**

**U.S. PATENT DOCUMENTS**

4,171,700 A	10/1979	Farin	
4,849,752 A	7/1989	Bryant	
D303,787 S *	10/1989	Messenger	D13/156
D327,061 S	6/1992	Soren et al.	
5,189,277 A	2/1993	Boisvert et al.	
5,204,669 A	4/1993	Dorfe et al.	
5,318,563 A	6/1994	Malis et al.	
D379,346 S *	5/1997	Mieki	D13/107
5,693,042 A	12/1997	Boiarski et al.	

(Continued)

**FOREIGN PATENT DOCUMENTS**

EP	0408160 A1	1/1991
EP	0473987 A1	3/1992
EP	0929263 B1	7/1999
EP	2942023 A2	11/2015

(Continued)

**OTHER PUBLICATIONS**

Sorrells, P., "Application Note AN680. Passive RFID Basics,"  
retrieved from <http://ww1.microchip.com/downloads/en/AppNotes/00680b.pdf> on Feb. 26, 2020, Dec. 31, 1998, pp. 1-7.

*Primary Examiner* — Shawn T Gingrich

(57) **CLAIM**

The ornamental design for an energy module with a backplane connector, as shown and described.

**DESCRIPTION**

FIG. 1 is a perspective view of an energy module with a backplane connector.

FIG. 2 is a front elevation view of the energy module with the backplane connector of FIG. 1.

FIG. 3 is a rear elevation view of the energy module with the backplane connector of FIG. 1.

FIG. 4 is a left elevation view of the energy module with the backplane connector of FIG. 1.

FIG. 5 is a right elevation view of the energy module with the backplane connector of FIG. 1.

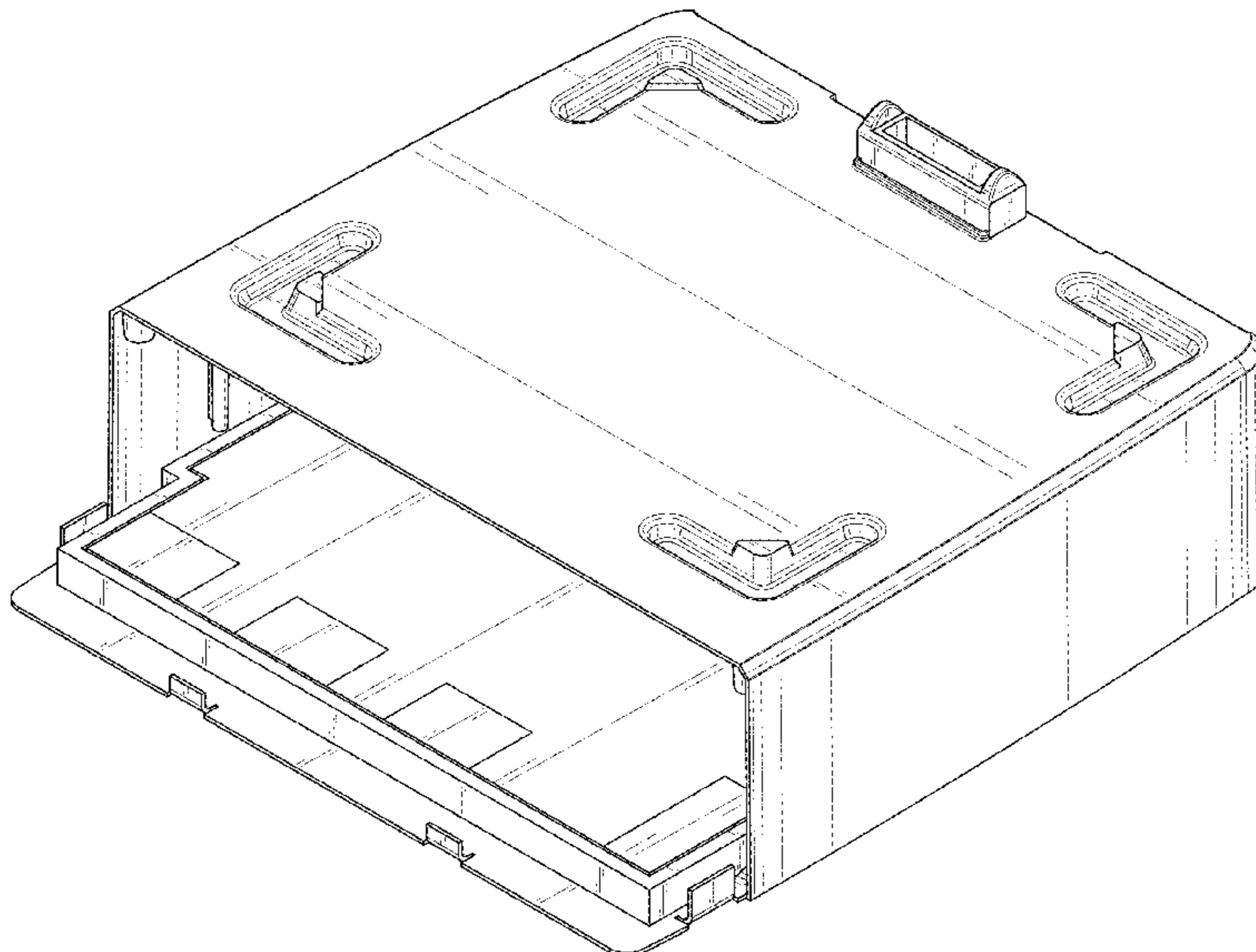
FIG. 6 is a top plan view of the energy module with the backplane connector of FIG. 1; and,

FIG. 7 is a bottom plan view of the energy module with the backplane connector of FIG. 1.

The wire frame lines shown throughout the views are intended to indicate surface contour.

The broken lines in the drawings illustrate portions of the energy module with a backplane connector that form no part of the claimed design.

**1 Claim, 7 Drawing Sheets**



(56)

## References Cited

## U.S. PATENT DOCUMENTS

5,724,468	A *	3/1998	Leone .....	G02B 6/4452 385/134	10,201,365	B2	2/2019	Boudreaux et al.
6,269,411	B1	7/2001	Reasoner		10,339,496	B2	7/2019	Matson et al.
6,584,358	B2	6/2003	Carter et al.		10,357,184	B2	7/2019	Crawford et al.
6,611,793	B1	8/2003	Burnside et al.		10,386,990	B2	8/2019	Shikhman et al.
6,731,514	B2	5/2004	Evans		10,499,847	B2	12/2019	Latimer et al.
6,913,471	B2	7/2005	Smith		10,561,753	B2	2/2020	Thompson et al.
7,009,511	B2	3/2006	Mazar et al.		10,602,007	B2	3/2020	Takano
7,044,949	B2	5/2006	Orszulak et al.		10,624,667	B2	4/2020	Faller et al.
7,217,269	B2	5/2007	El-Galley et al.		10,675,100	B2	6/2020	Frushour
7,252,664	B2	8/2007	Nasab et al.		10,687,884	B2	6/2020	Wiener et al.
7,344,532	B2	3/2008	Goble et al.		10,772,673	B2	9/2020	Allen, IV et al.
7,353,068	B2	4/2008	Tanaka et al.		2005/0165390	A1	7/2005	Mauti et al.
7,408,439	B2	8/2008	Wang et al.		2005/0251233	A1	11/2005	Kanzius
D579,876	S *	11/2008	Novotney .....	D13/147	2006/0136622	A1	6/2006	Rouvelin et al.
D583,328	S *	12/2008	Chiang .....	D13/147	2007/0282321	A1	12/2007	Shah et al.
D589,447	S *	3/2009	Sasada .....	D13/133	2009/0234352	A1	9/2009	Behnke et al.
7,518,502	B2	4/2009	Austin et al.		2010/0069939	A1	3/2010	Konishi
7,563,259	B2	7/2009	Takahashi		2010/0120266	A1	5/2010	Rimborg
7,637,907	B2	12/2009	Blaha		2010/0198200	A1	8/2010	Horvath
D613,252	S *	4/2010	Nagata .....	D13/147	2011/0125149	A1	5/2011	El-Galley et al.
7,757,028	B2	7/2010	Druke et al.		2011/0273465	A1	11/2011	Konishi et al.
7,932,826	B2	4/2011	Fritchie et al.		2014/0009894	A1	1/2014	Yu
7,945,065	B2	5/2011	Menzl et al.		2014/0226572	A1	8/2014	Thota et al.
7,995,045	B2	8/2011	Dunki-Jacobs		2015/0257301	A1 *	9/2015	Morgan ..... H05K 7/1425 361/802
D655,678	S *	3/2012	Kobayashi .....	D13/147	2016/0287312	A1	10/2016	Tegg et al.
D657,368	S	4/2012	Magee et al.		2017/0000542	A1	1/2017	Yates et al.
8,239,066	B2	8/2012	Jennings et al.		2017/0202595	A1	7/2017	Shelton, IV
D675,164	S *	1/2013	Kobayashi .....	D13/147	2017/0296213	A1	10/2017	Swensgard et al.
D676,392	S *	2/2013	Gassauer .....	D13/147	2018/0042659	A1	2/2018	Rupp et al.
D678,196	S	3/2013	Miyauchi et al.		2018/0065248	A1	3/2018	Barral et al.
8,423,182	B2	4/2013	Robinson et al.		2018/0110134	A1 *	4/2018	Hsiao ..... G02F 1/017
D687,146	S	7/2013	Juzkiw et al.		2018/0221005	A1	8/2018	Hamel et al.
8,540,709	B2	9/2013	Allen		2018/0333207	A1	11/2018	Moctezuma De la Barrera
D704,839	S	5/2014	Juzkiw et al.		2019/0278262	A1	9/2019	Taylor et al.
8,795,001	B1	8/2014	Lam et al.		2020/0038120	A1	2/2020	Ziraknejad et al.
8,819,581	B2	8/2014	Nakamura et al.		2020/0078070	A1	3/2020	Henderson et al.
8,917,513	B1	12/2014	Hazzard		2020/0078071	A1	3/2020	Asher
8,920,186	B2	12/2014	Shishikura		2020/0078076	A1	3/2020	Henderson et al.
8,968,296	B2	3/2015	McPherson		2020/0078077	A1	3/2020	Henderson et al.
8,986,288	B2	3/2015	Konishi		2020/0078078	A1	3/2020	Henderson et al.
9,160,853	B1	10/2015	Daddi et al.		2020/0078079	A1	3/2020	Morgan et al.
9,168,054	B2	10/2015	Turner et al.		2020/0078080	A1	3/2020	Henderson et al.
9,168,091	B2	10/2015	Janssen et al.		2020/0078081	A1	3/2020	Jayme et al.
9,198,711	B2	12/2015	Joseph		2020/0078082	A1	3/2020	Henderson et al.
9,226,791	B2	1/2016	McCarthy et al.		2020/0078089	A1	3/2020	Henderson et al.
9,237,921	B2	1/2016	Messerly et al.		2020/0078106	A1	3/2020	Henderson et al.
9,265,429	B2	2/2016	St. Pierre et al.		2020/0078110	A1	3/2020	Henderson et al.
9,277,961	B2	3/2016	Panescu et al.		2020/0078111	A1	3/2020	Oberkircher et al.
9,277,969	B2	3/2016	Brannan et al.		2020/0078112	A1	3/2020	Henderson et al.
9,345,900	B2	5/2016	Wu et al.		2020/0078113	A1	3/2020	Sawhney et al.
9,463,646	B2	10/2016	Payne et al.		2020/0078114	A1	3/2020	Asher et al.
9,474,565	B2	10/2016	Shikhman et al.		2020/0078115	A1	3/2020	Asher et al.
D772,252	S	11/2016	Myers et al.		2020/0078116	A1	3/2020	Oberkircher et al.
9,486,271	B2	11/2016	Dunning		2020/0078117	A1	3/2020	Henderson et al.
9,532,827	B2	1/2017	Morgan et al.		2020/0078118	A1	3/2020	Henderson et al.
9,600,031	B2	3/2017	Kaneko et al.		2020/0078119	A1	3/2020	Henderson et al.
D783,675	S	4/2017	Yagisawa et al.		2020/0078120	A1	3/2020	Aldridge et al.
D784,270	S	4/2017	Bhattacharya		2020/0081585	A1	3/2020	Petre et al.
9,713,503	B2	7/2017	Goldschmidt		2020/0090808	A1	3/2020	Carroll et al.
9,750,563	B2	9/2017	Shikhman et al.		2020/0100825	A1	4/2020	Henderson et al.
9,782,214	B2	10/2017	Houser et al.		2020/0100830	A1	4/2020	Henderson et al.
9,867,670	B2	1/2018	Brannan et al.		2020/0106218	A1 *	4/2020	Regnier ..... H01R 13/6586
9,907,196	B2	2/2018	Susini et al.		2020/0106220	A1	4/2020	Henderson et al.
9,974,595	B2	5/2018	Anderson et al.		2020/0305924	A1	10/2020	Carroll
9,987,068	B2	6/2018	Anderson et al.		2020/0305945	A1	10/2020	Morgan et al.
9,987,072	B2	6/2018	McPherson		2020/0314569	A1	10/2020	Morgan et al.
10,028,402	B1	7/2018	Walker					
10,039,589	B2	8/2018	Virshek et al.					
10,105,470	B2	10/2018	Reasoner et al.					
D834,541	S	11/2018	You et al.					
10,117,702	B2	11/2018	Danziger et al.					
10,136,954	B2	11/2018	Johnson et al.					
10,147,148	B2	12/2018	Wu et al.					
10,166,061	B2	1/2019	Berry et al.					

## FOREIGN PATENT DOCUMENTS

JP	2001029353	A	2/2001
WO	WO-0112089	A1	2/2001
WO	WO-2008053485	A1	5/2008
WO	WO-2014031800	A1	2/2014
WO	WO-2014071184	A1	5/2014
WO	WO-2017058617		4/2017
WO	WO-2018116247	A1	6/2018

\* cited by examiner

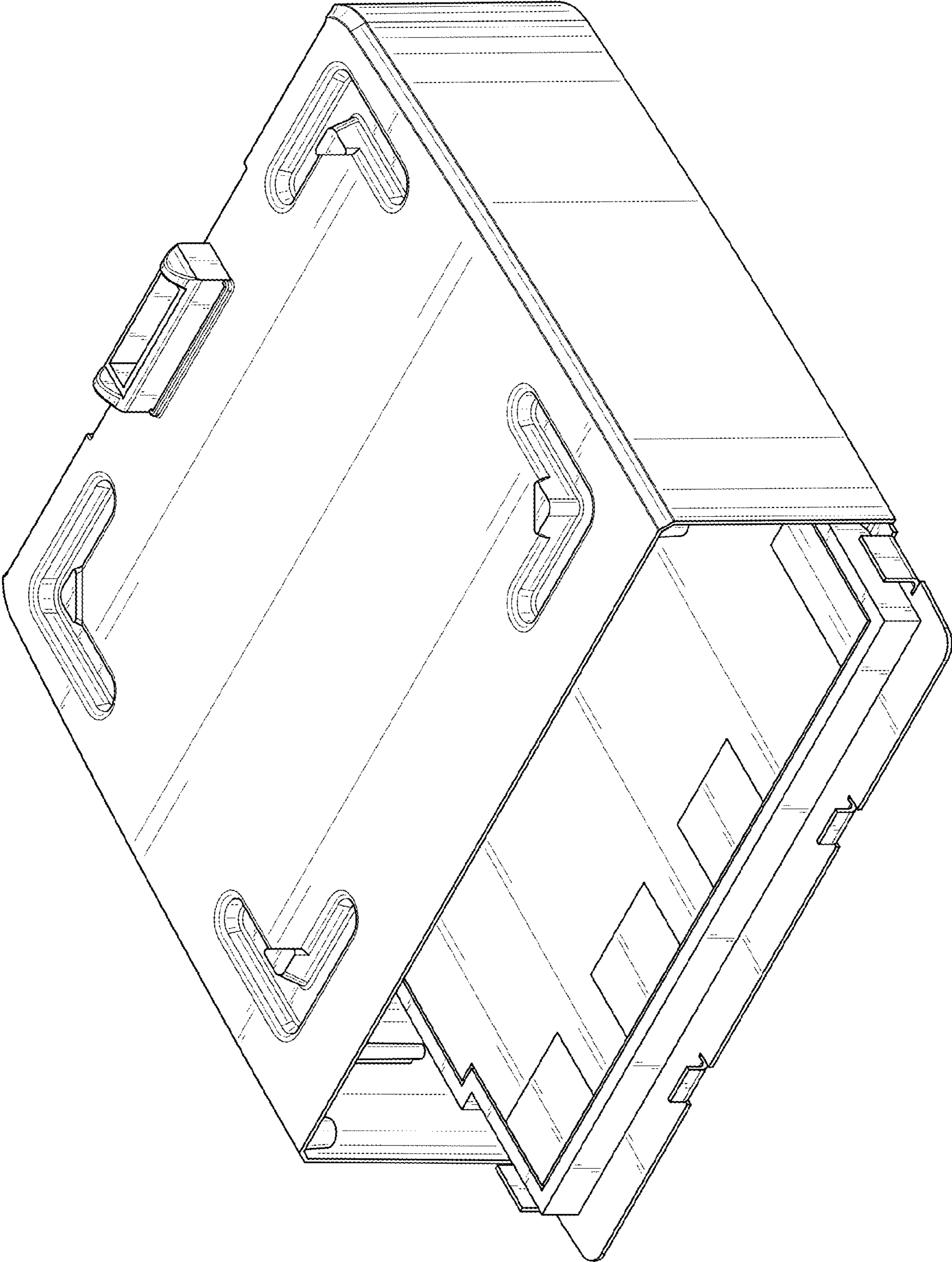


FIG. 1

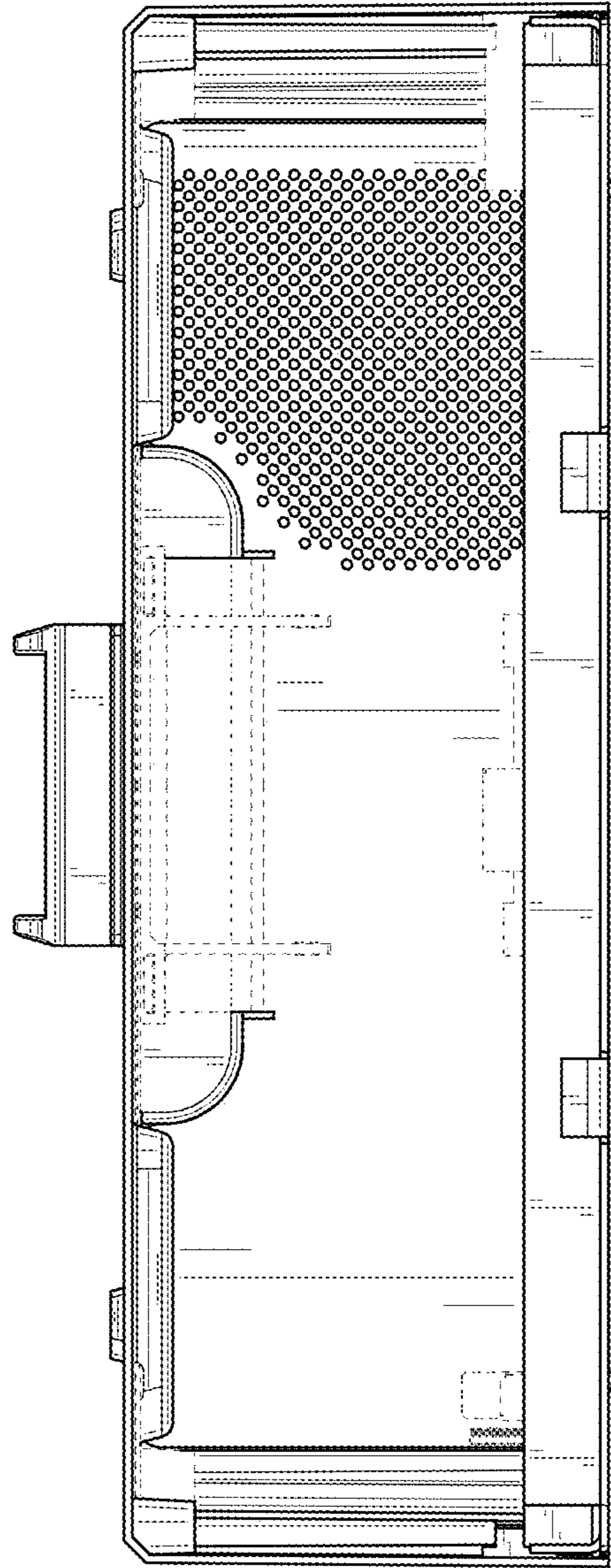


FIG. 2

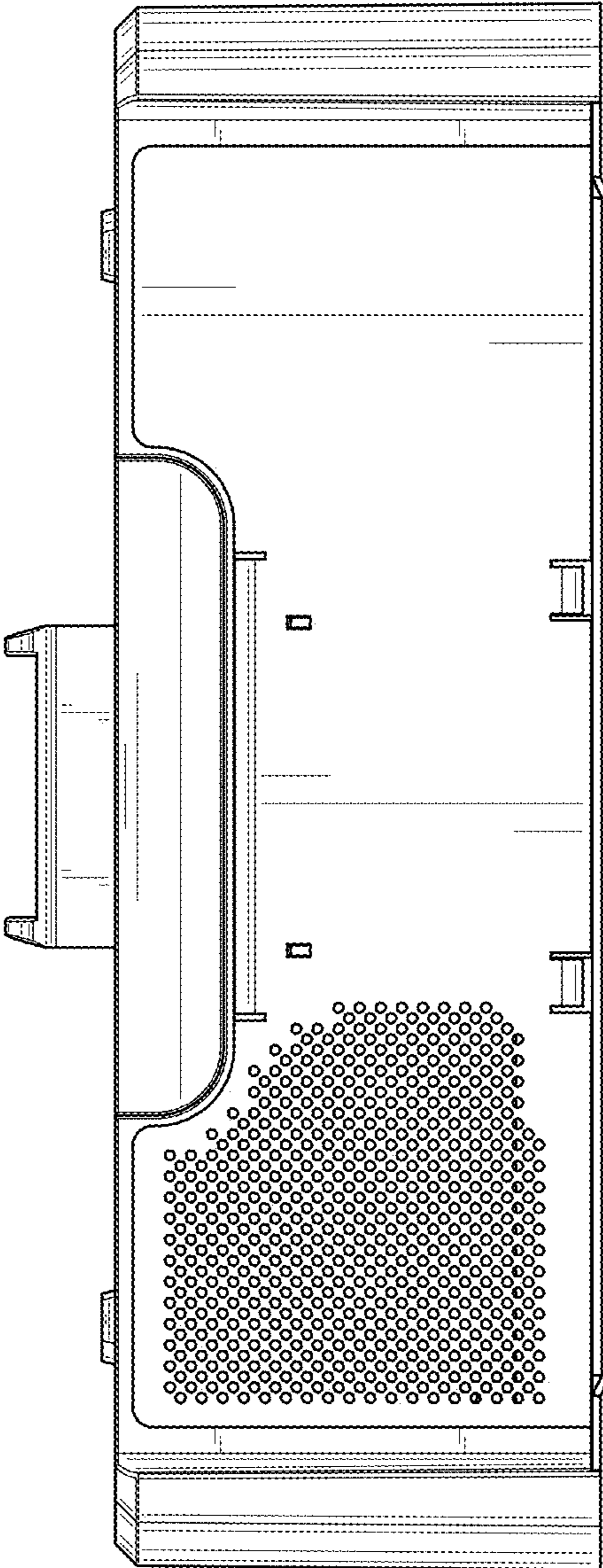


FIG. 3

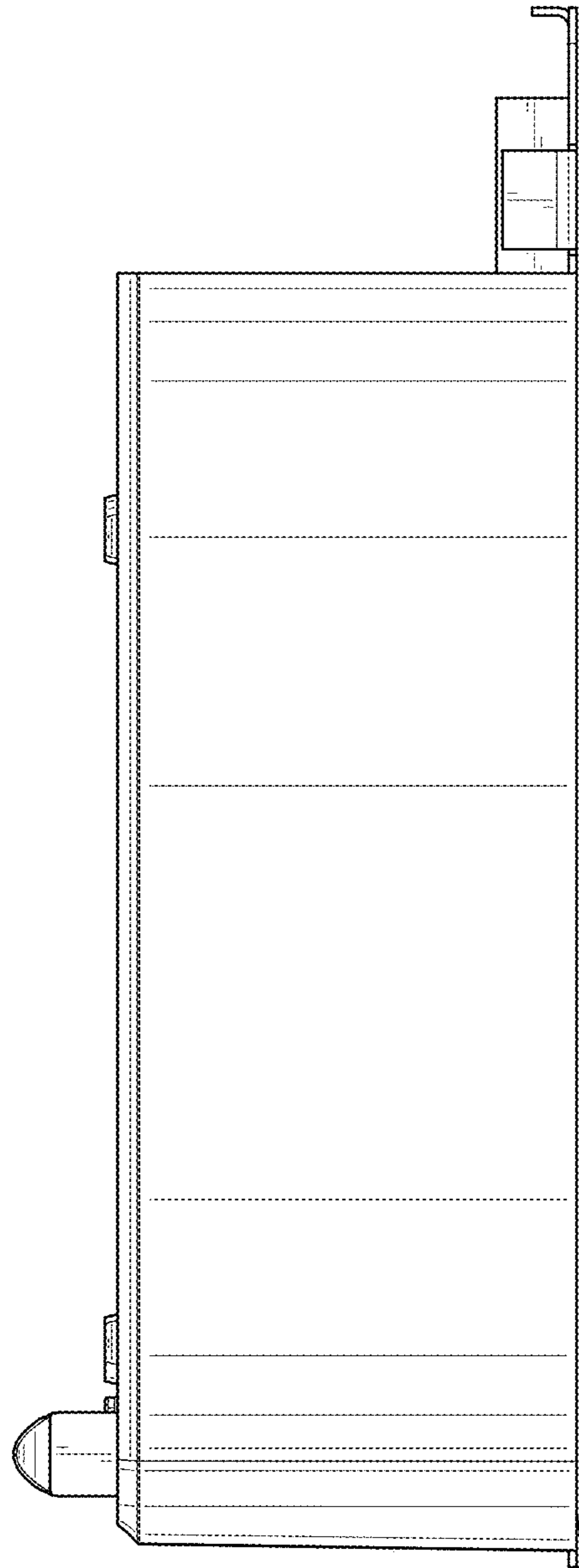


FIG. 4

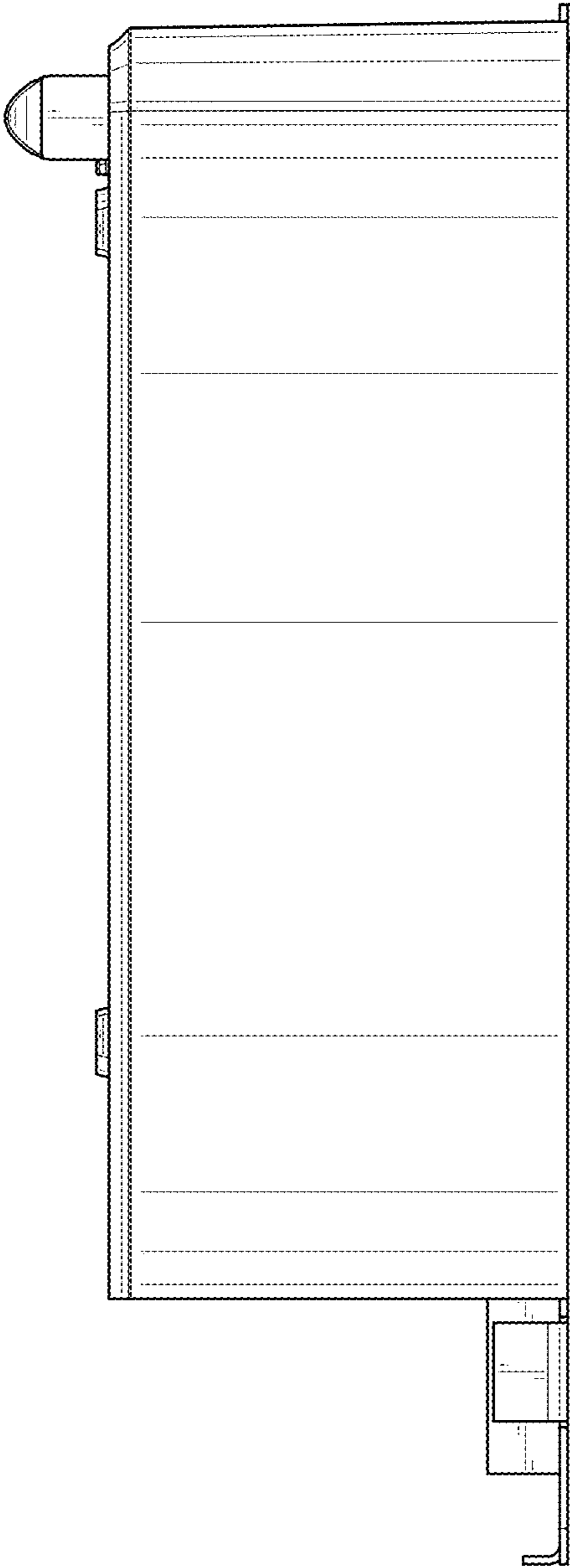


FIG. 5

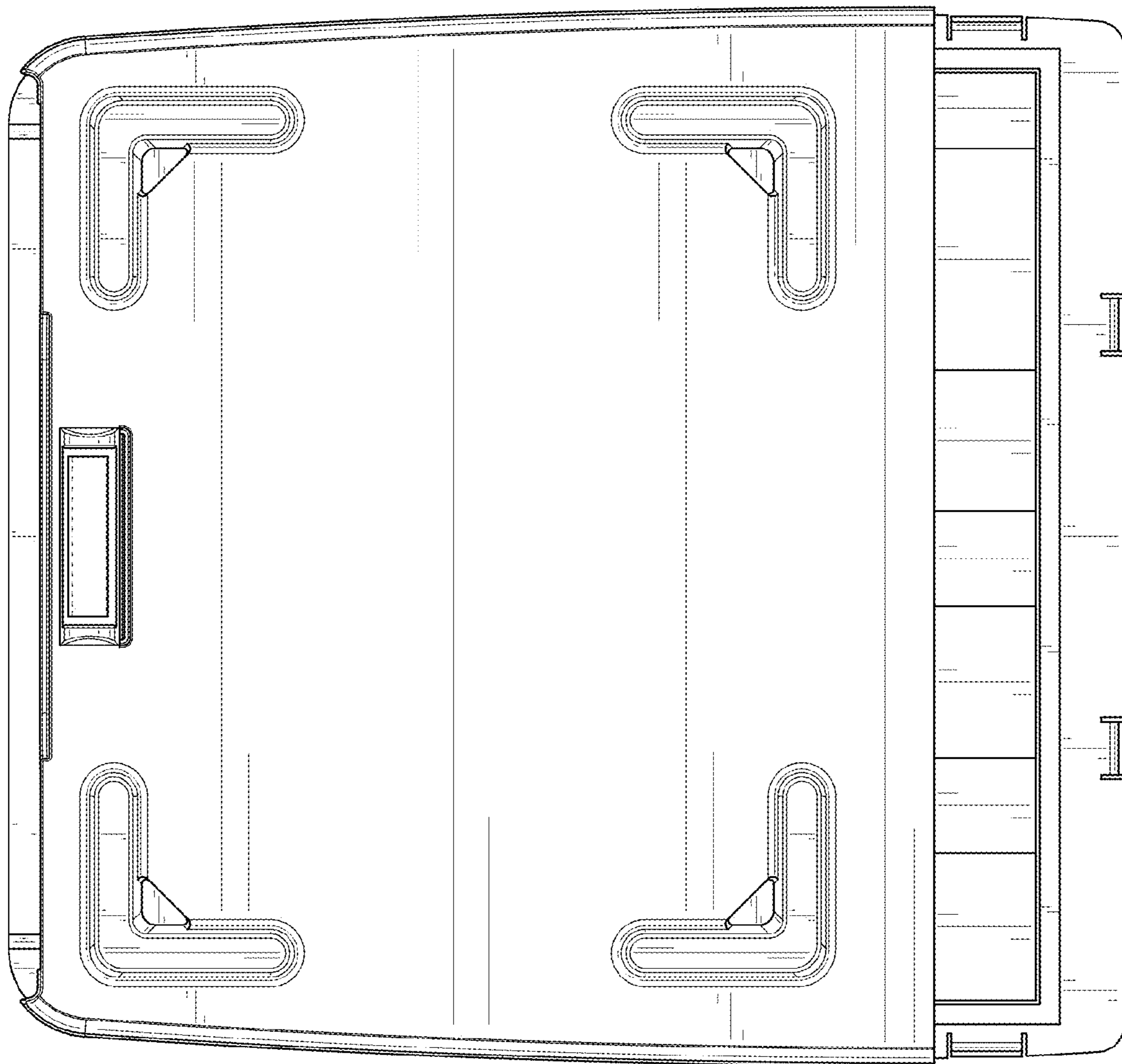


FIG. 6



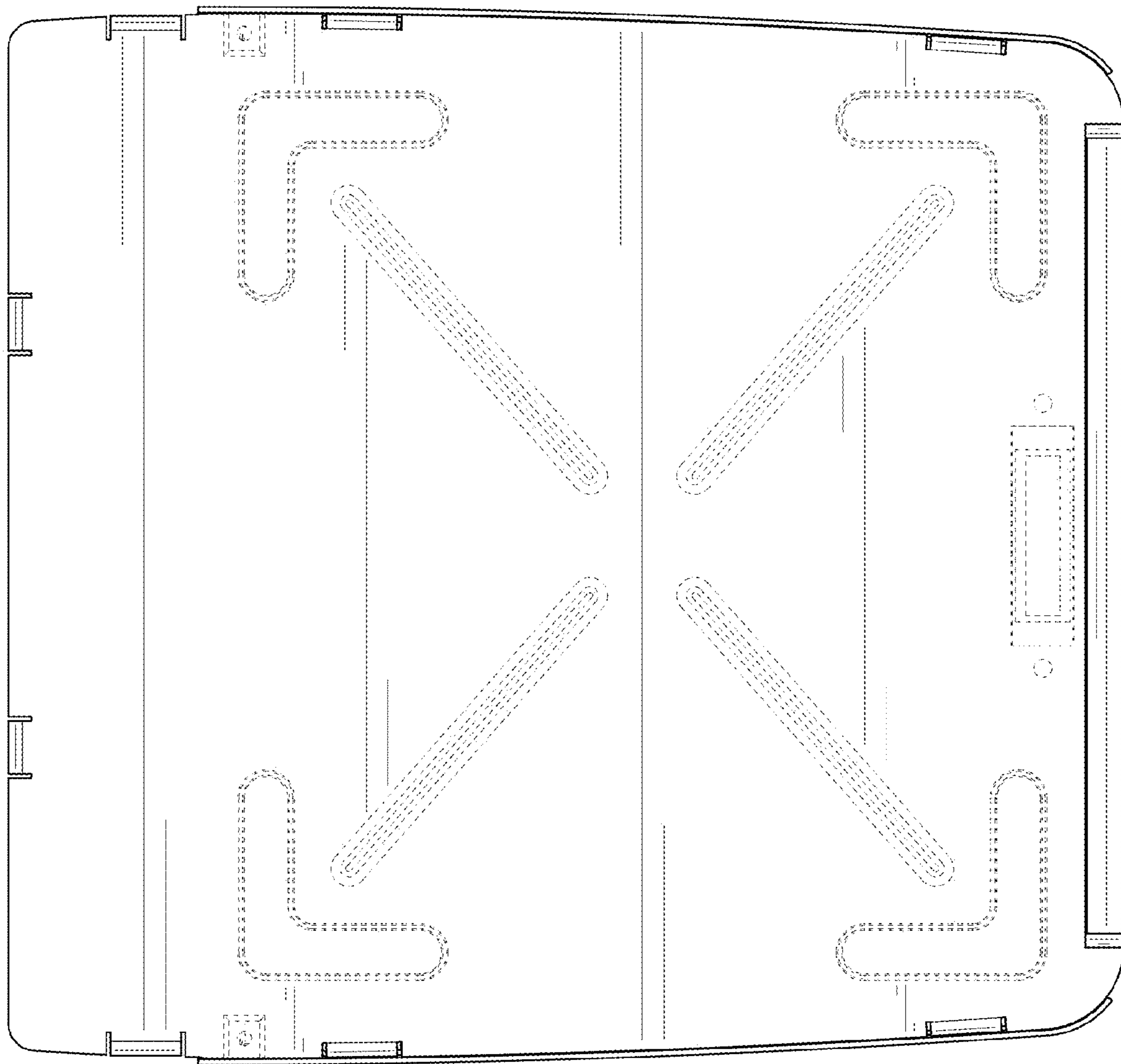


FIG. 7