



US00D924138S

(12) **United States Design Patent** (10) **Patent No.:** **US D924,138 S**
Aki et al. (45) **Date of Patent:** **** Jul. 6, 2021**

(54) **SIGNAL CONVERTER**
(71) Applicant: **SMC CORPORATION**, Tokyo (JP)
(72) Inventors: **Tomohiko Aki**, Nagareyama (JP); **Yuko Kochi**, Tsukubamirai (JP); **Norimasa Ozaki**, Moriya (JP)
(73) Assignee: **SMC CORPORATION**, Tokyo (JP)
(**) Term: **15 Years**

(21) Appl. No.: **29/697,949**
(22) Filed: **Jul. 12, 2019**

(30) **Foreign Application Priority Data**
Jan. 30, 2019 (JP) 2019-001674
(51) **LOC (13) Cl.** **13-03**
(52) **U.S. Cl.**
USPC **D13/123**
(58) **Field of Classification Search**
USPC D13/110, 118, 123, 133, 146, 147, 158,
D13/159, 162, 163, 166-169, 171, 173,
D13/174, 184, 199; D14/125, 154, 155,
D14/199, 240, 358, 496
CPC . F15B 13/00; F21S 4/001; H01R 9/22; H01R
13/66; H01R 13/7036; H02G 3/14; H05K
5/00; H05K 7/00; H05K 7/20
See application file for complete search history.

(56) **References Cited**
U.S. PATENT DOCUMENTS
D325,376 S * 4/1992 Krasser D13/158
D432,987 S 10/2000 Seo et al.
D475,980 S * 6/2003 Chang D13/165
D478,322 S * 8/2003 Droulin D13/162.1
D525,197 S 7/2006 Tanabe et al.
D525,211 S 7/2006 Tanabe et al.
D525,936 S 8/2006 Tanabe et al.

D530,279 S 10/2006 Tanabe et al.
D538,754 S * 3/2007 Sasaki D13/159
D541,754 S * 5/2007 Sasaki D13/159
D848,572 S * 5/2019 Yasuoka D23/207
D852,744 S * 7/2019 Nakayama D13/112
D853,965 S * 7/2019 Nakayama D13/112
D853,966 S * 7/2019 Nakayama D13/112
D867,990 S * 11/2019 Okajima D13/110
D869,410 S * 12/2019 Kochi D13/184
D901,385 S * 11/2020 Aki D13/123
2017/0250493 A1* 8/2017 Iijima H01R 9/2675

FOREIGN PATENT DOCUMENTS

JP 1014184-1 S 7/1998
JP 1014184 S 7/1998
JP 1573481 S 4/2017

* cited by examiner

Primary Examiner — Shawn T Gingrich
(74) *Attorney, Agent, or Firm* — Birch, Stewart, Kolasch & Birch, LLP

(57) **CLAIM**

The ornamental design for a signal converter, as shown and described.

DESCRIPTION

FIG. 1 is a front, top and left side perspective view of a signal converter showing our new design;
FIG. 2 is a rear, bottom and right side perspective view thereof;
FIG. 3 is a front view thereof;
FIG. 4 is a rear view thereof;
FIG. 5 is a top plan view thereof;
FIG. 6 is a bottom plan view thereof;
FIG. 7 is a left side view thereof; and,
FIG. 8 is a right side view thereof.
The broken lines depict portions of the signal converter that form no part of the claimed design.

1 Claim, 8 Drawing Sheets

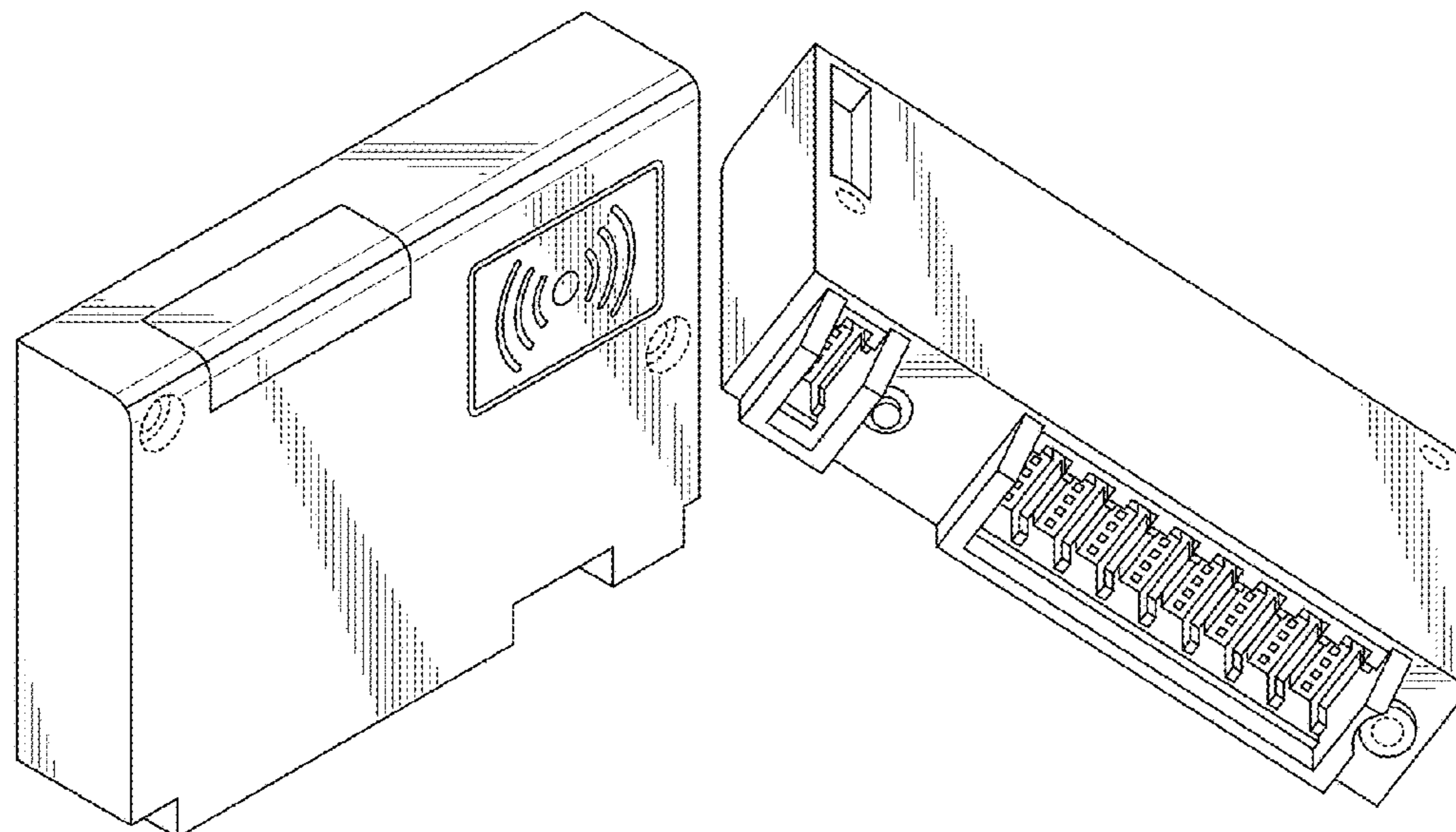


FIG. 1

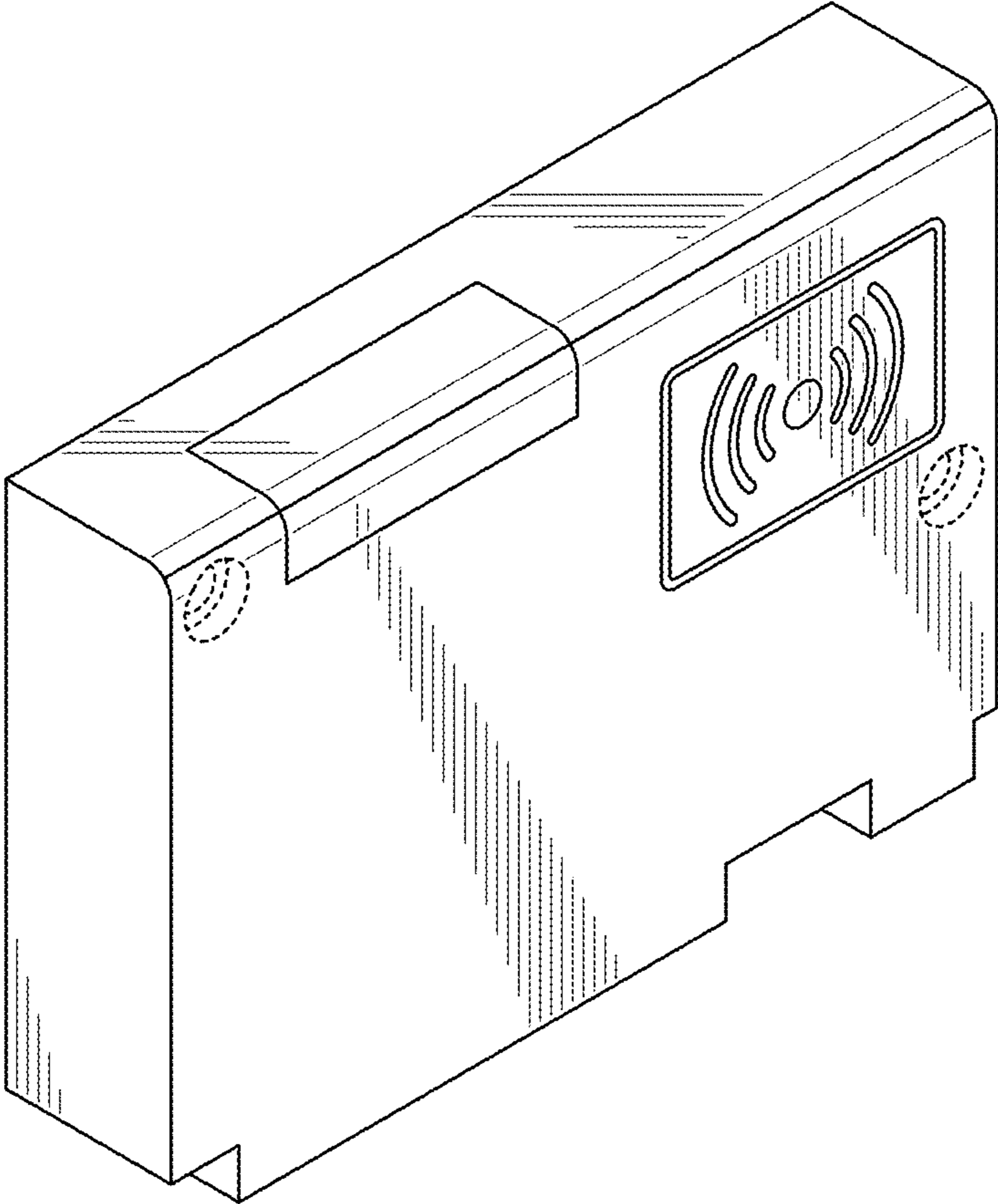


FIG. 2

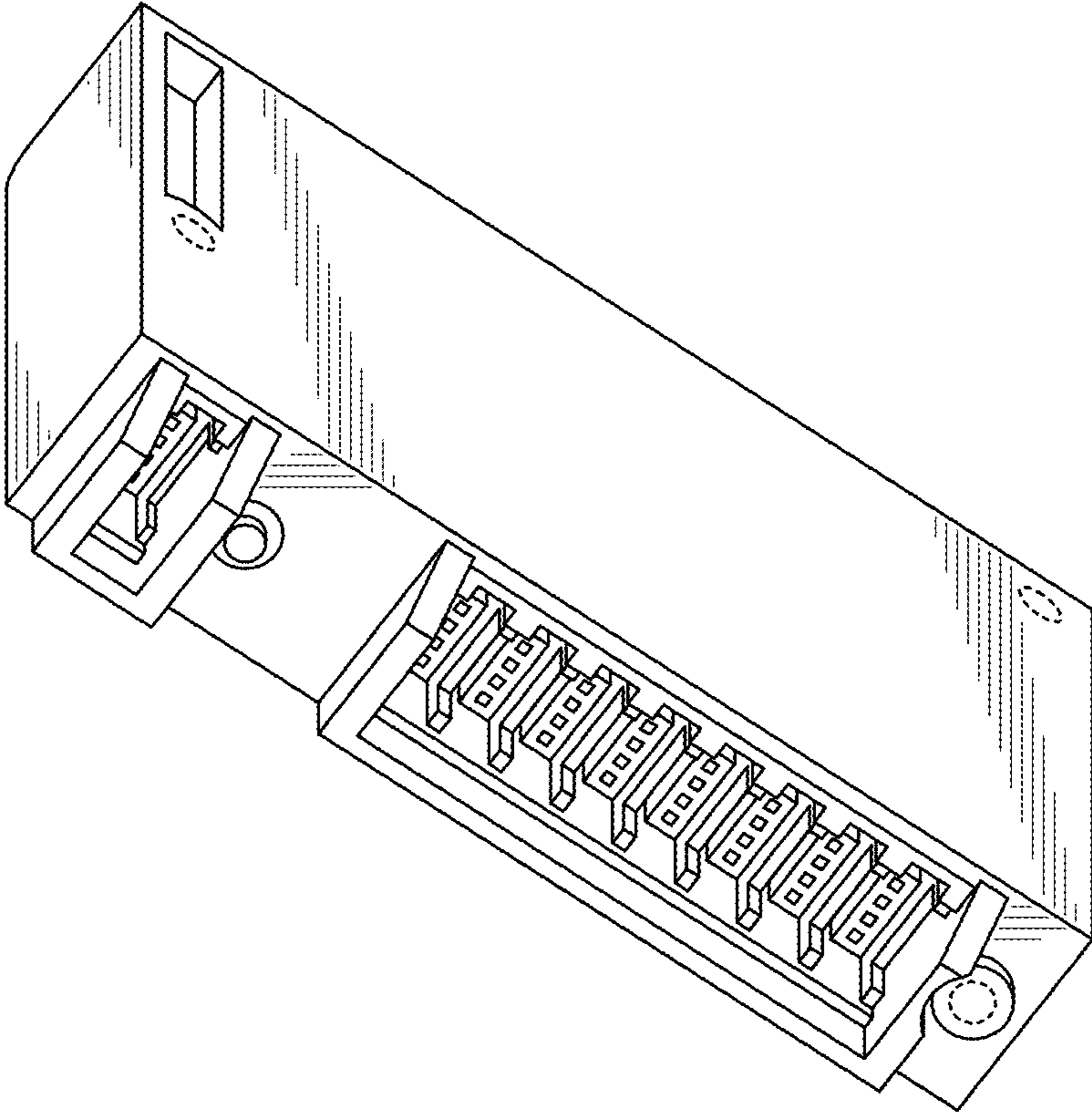


FIG. 3

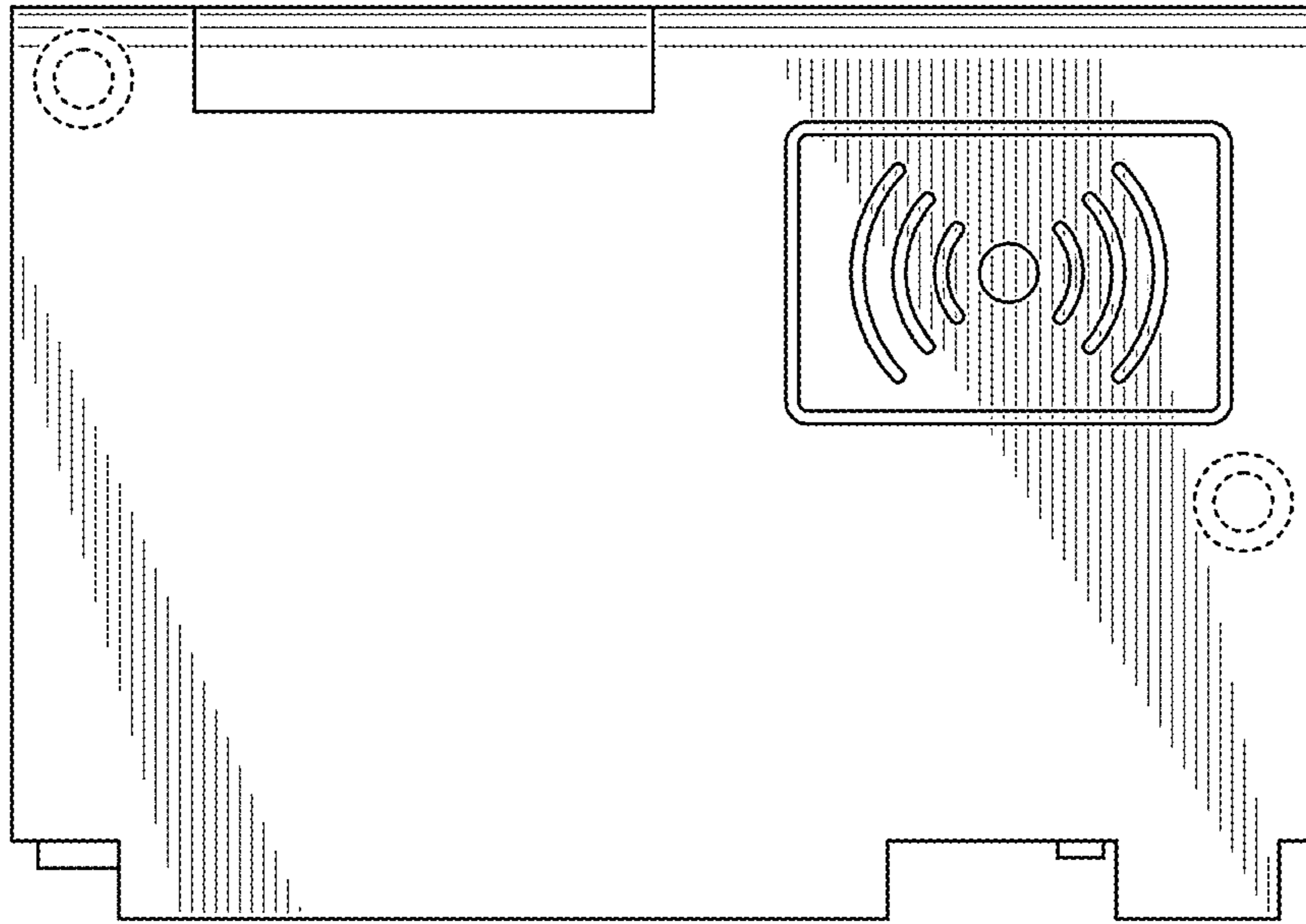


FIG. 4

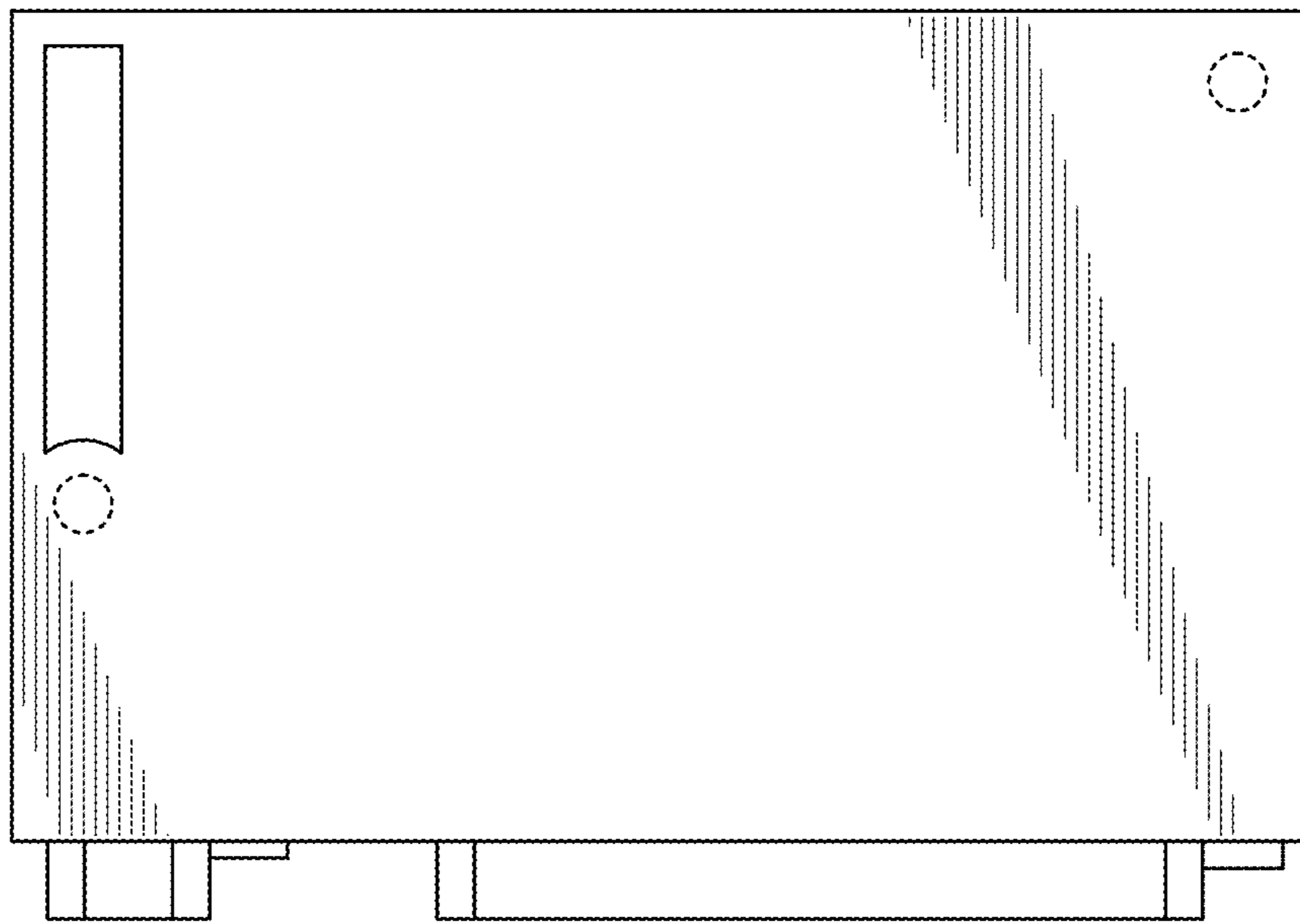


FIG. 5

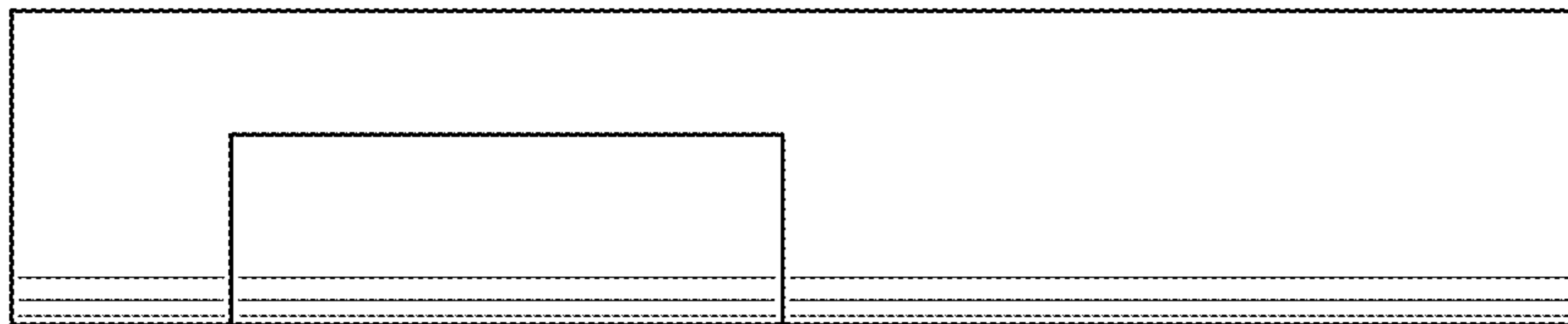


FIG. 6

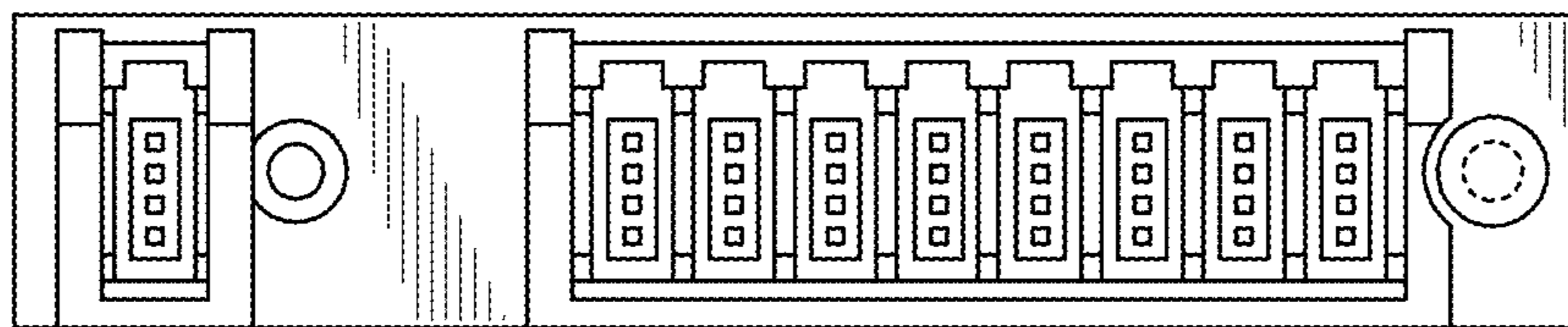


FIG. 7

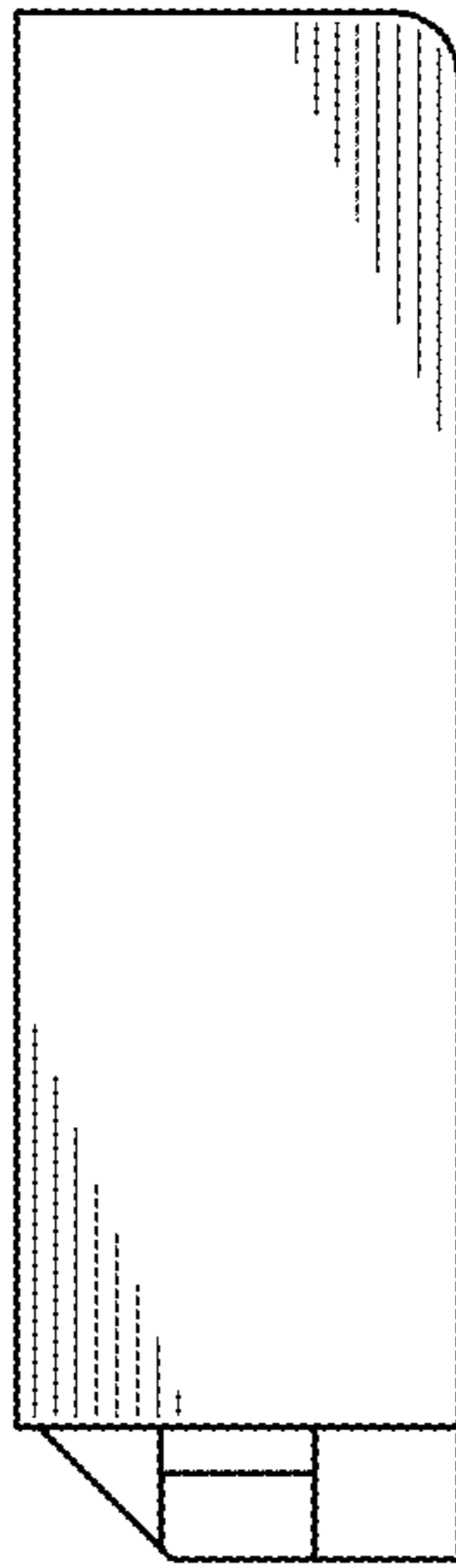


FIG. 8

