



US00D924135S

(12) **United States Design Patent**
England et al.

(10) **Patent No.:** **US D924,135 S**
(45) **Date of Patent:** **** Jul. 6, 2021**

(54) **INDOOR/OUTDOOR POWER SUPPLY**

(71) Applicant: **Amazon Technologies, Inc.**, Seattle, WA (US)

(72) Inventors: **Matthew J. England**, Santa Monica, CA (US); **Christopher Loew**, Palo Alto, CA (US)

(73) Assignee: **Amazon Technologies, Inc.**, Seattle, WA (US)

(**) Term: **15 Years**

(21) Appl. No.: **29/690,364**

(22) Filed: **May 7, 2019**

(51) **LOC (13) Cl.** **13-03**

(52) **U.S. Cl.**
USPC **D13/110**

(58) **Field of Classification Search**
USPC D13/107, 118-120, 123, 133, 146-149, D13/151, 154, 156, 158-160, 173, 184, D13/199, 108, 110, 137.2, 138.1, 138.2, D13/139.6
CPC H01H 75/00; H01H 83/06; H01R 13/648; H01R 13/66; H01R 13/68; H01R 24/00; H01R 29/00; H01R 31/06; H02H 1/00; H02H 3/00; H02H 3/16; H02H 7/22; H04N 7/14; H04M 11/02

See application file for complete search history.

(56) **References Cited**

U.S. PATENT DOCUMENTS

- 5,684,689 A * 11/1997 Hahn H01R 13/6675 363/146
- D401,556 S * 11/1998 Stekelenburg D13/138.2
- D403,656 S * 1/1999 Ichikawa D13/103
- D425,480 S * 5/2000 Jokinen D13/107
- D454,537 S * 3/2002 O'Connor D13/110
- D537,410 S * 2/2007 Yuen D13/110

- D596,562 S * 7/2009 Hong D13/108
- D658,122 S * 4/2012 Tsoi D13/108
- D686,988 S * 7/2013 Fawkes et al.
- D692,825 S * 11/2013 Izen D13/108

(Continued)

FOREIGN PATENT DOCUMENTS

- EM 0028765320008 11/2015
- EM 0028765320017 11/2015

(Continued)

OTHER PUBLICATIONS

The Chinese Office Action dated Jul. 16, 2020 for Chinese Design Application No. 202030287452.9, a counterpart foreign application of the Design U.S. Appl. No. 29/690,364, 2 pages.

(Continued)

Primary Examiner — Shawn T Gingrich

(74) *Attorney, Agent, or Firm* — Lee & Hayes, P.C.

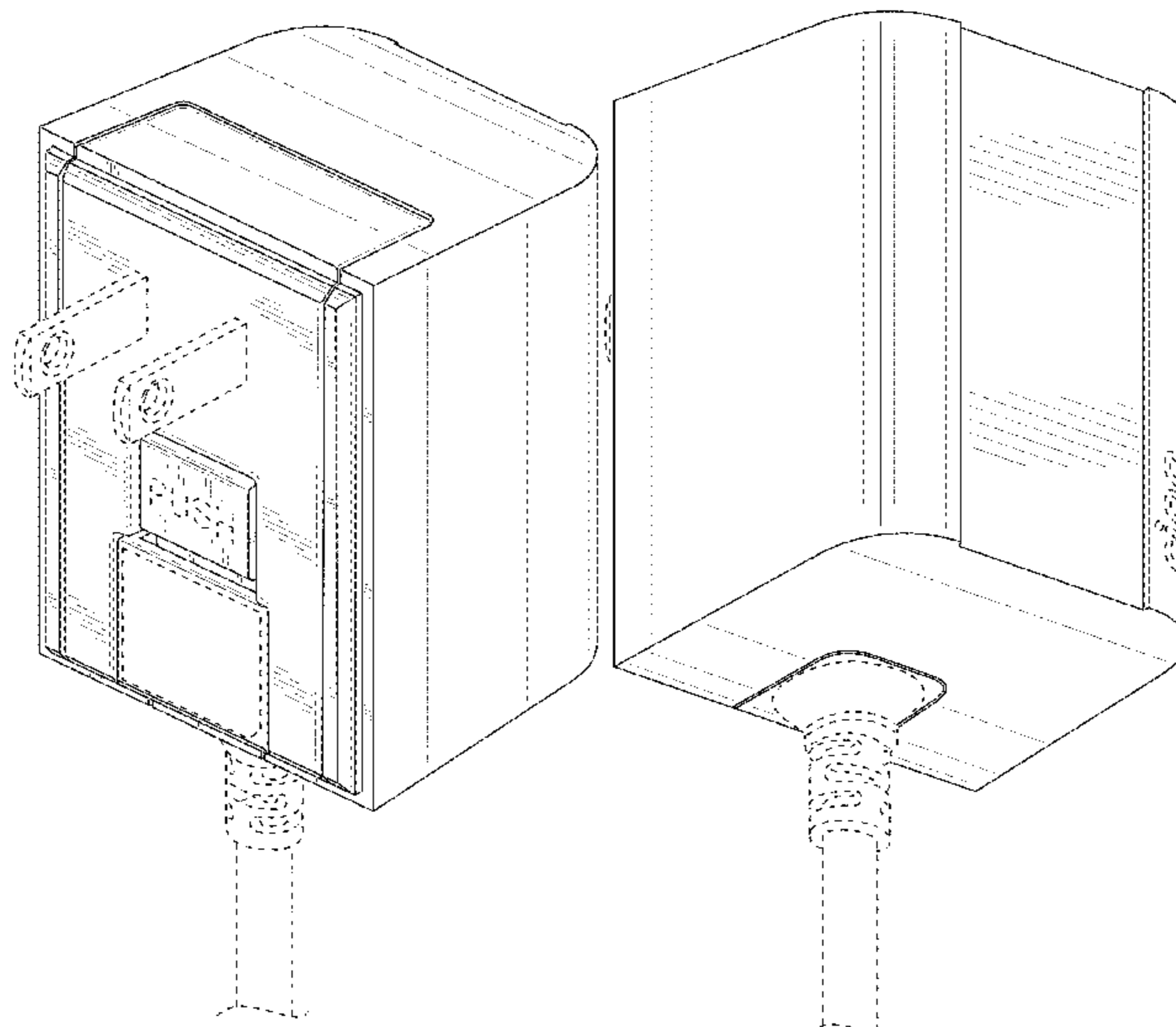
(57) **CLAIM**

The ornamental design for an indoor/outdoor power supply, as shown and described.

DESCRIPTION

FIG. 1 is a back, left, top perspective view of an indoor/outdoor power supply according to the present design; FIG. 2 is a back, right, top perspective view thereof; FIG. 3 is a front, left, bottom perspective view thereof; FIG. 4 is a front, right, top perspective view thereof; FIG. 5 is a back elevation view thereof; FIG. 6 is a front elevation view thereof; FIG. 7 is a right-side elevation view thereof; FIG. 8 is a left-side elevation view thereof; FIG. 9 is a top plan view thereof; and, FIG. 10 is a bottom plan view thereof. The dashed lines depict portions of the indoor/outdoor power supply that form no part of the claimed design.

1 Claim, 10 Drawing Sheets



(56)

References Cited

U.S. PATENT DOCUMENTS

D807,822 S * 1/2018 Senff D13/110
D823,801 S * 7/2018 Ouyang D13/110
D853,355 S * 7/2019 Modestine D14/214
D860,176 S * 9/2019 Siminoff D14/240
10,499,011 B2 * 12/2019 Siminoff H04M 11/025
D875,044 S * 2/2020 Chen D13/110
D886,800 S * 6/2020 Modestine D14/214
D892,114 S * 8/2020 Siminoff D14/383
D901,471 S * 11/2020 Siminoff D14/240
2005/0176281 A1 * 8/2005 Zhuge H01R 24/68
439/173
2010/0062652 A1 * 3/2010 Liu H01R 31/06
439/660

FOREIGN PATENT DOCUMENTS

TW D196146 2/2019
TW D196945 4/2019

OTHER PUBLICATIONS

The Chinese Office Action dated Mar. 24, 2020 for Chinese Design Application No. 201930606341.7, a counterpart foreign application of the Design U.S. Appl. No. 29/690,364, 2 pages.

* cited by examiner

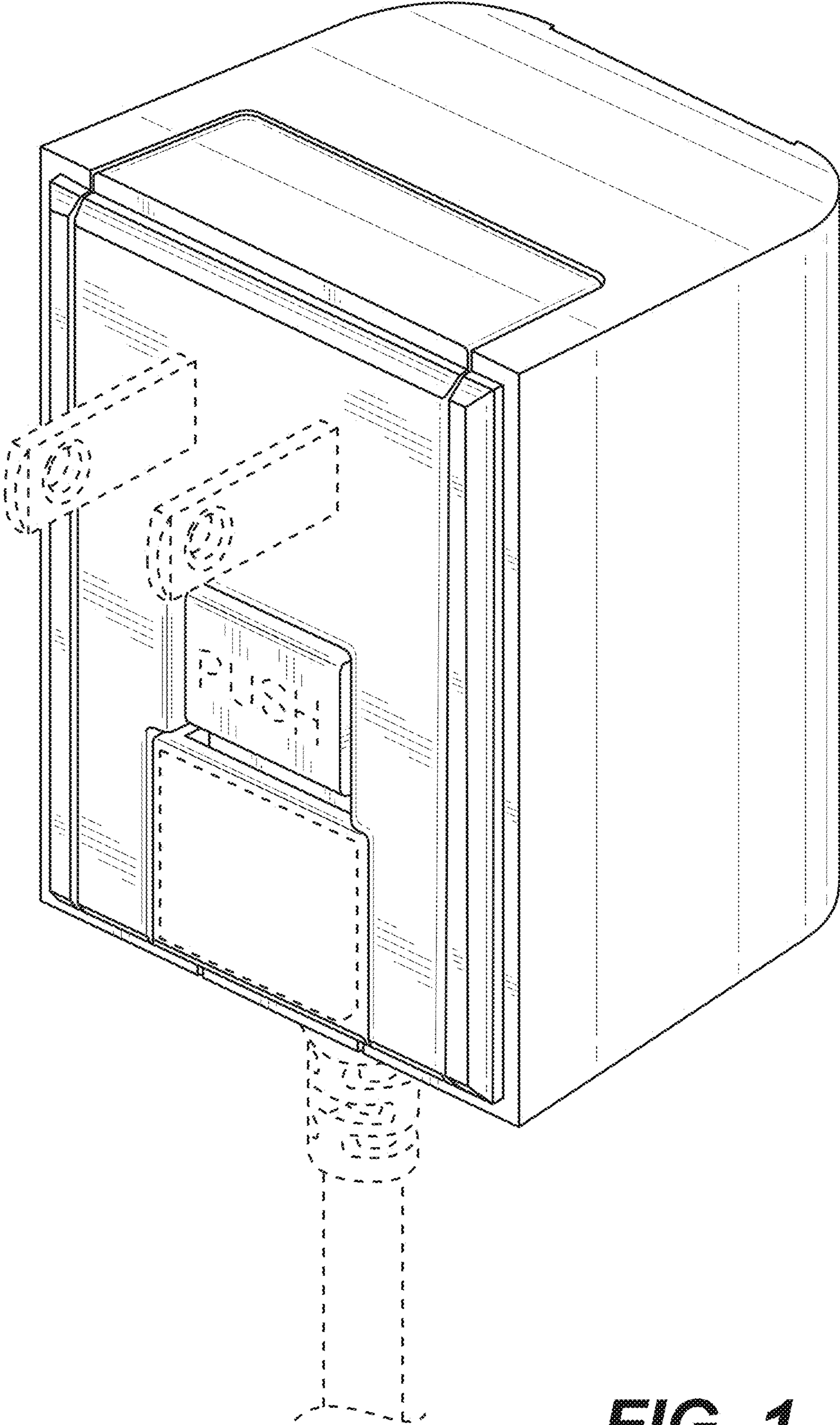


FIG. 1

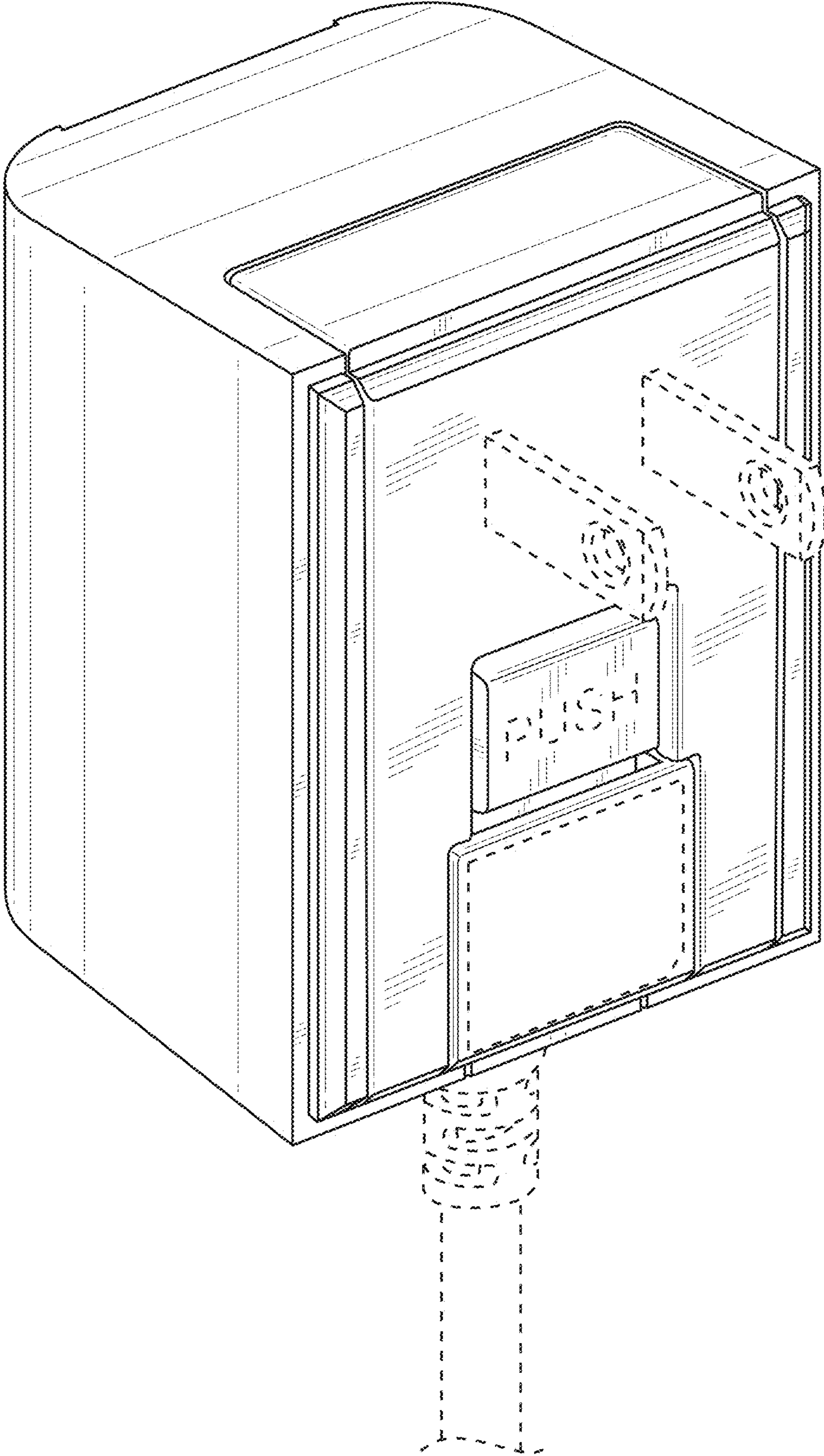


FIG. 2

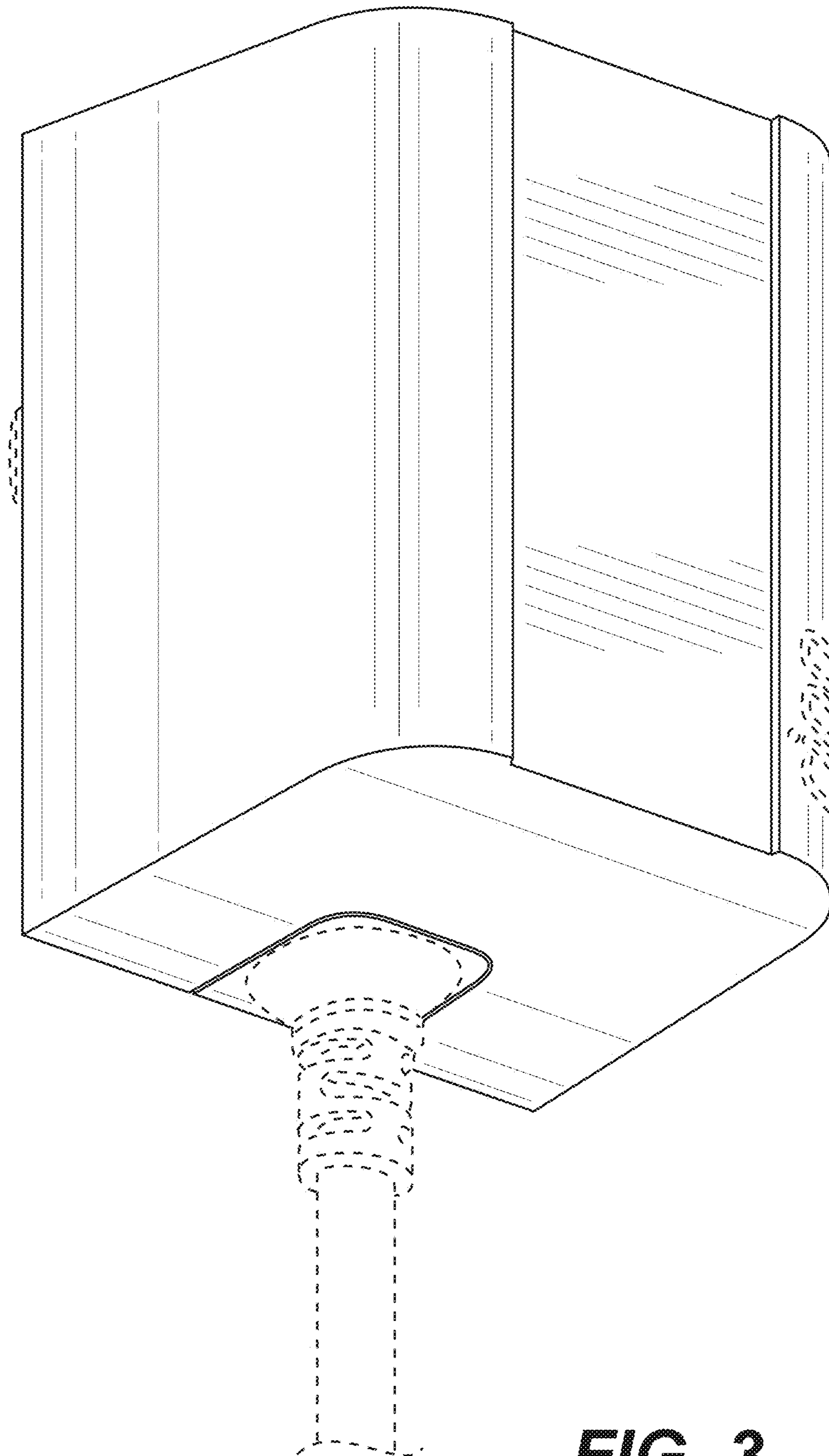


FIG. 3

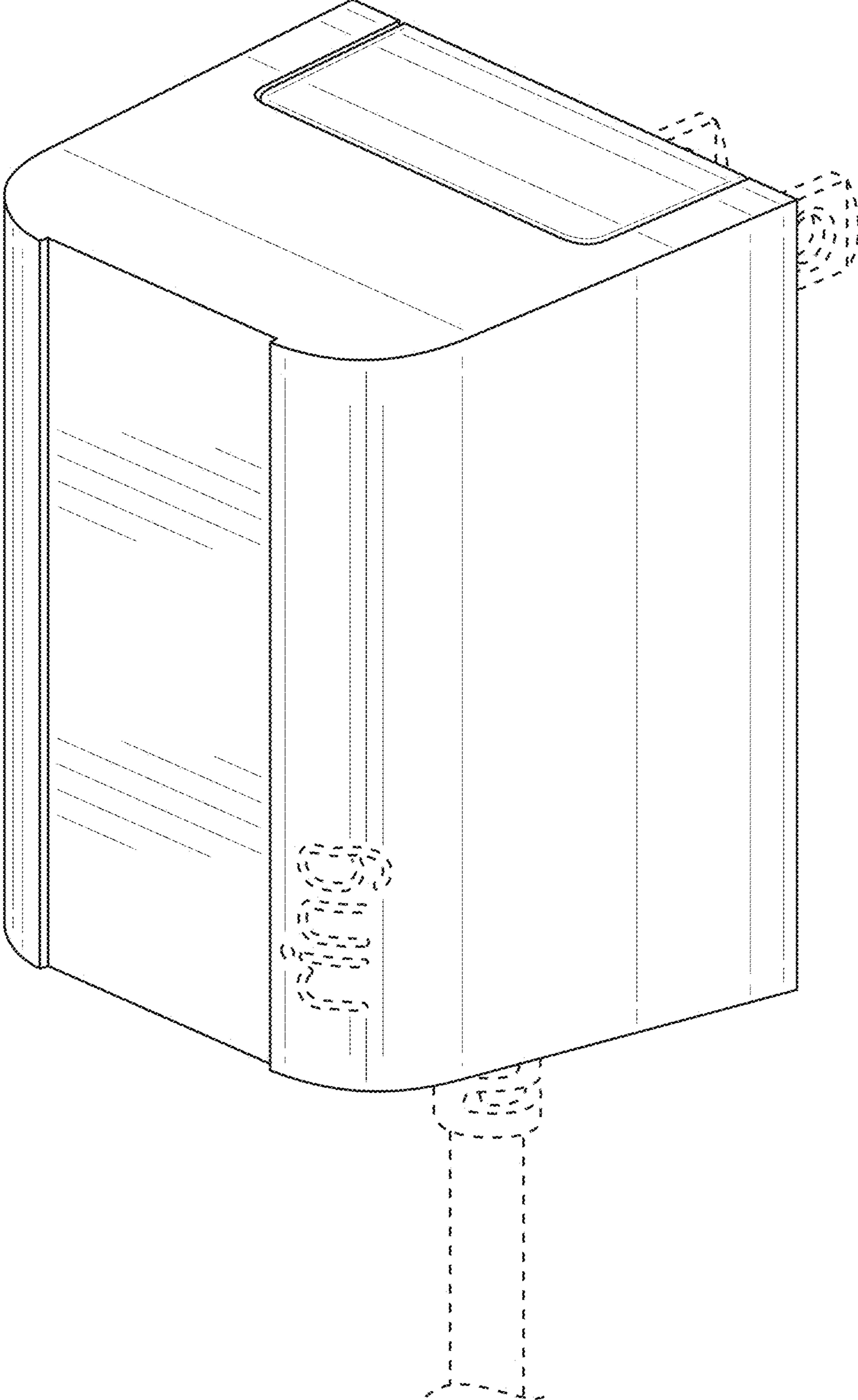


FIG. 4

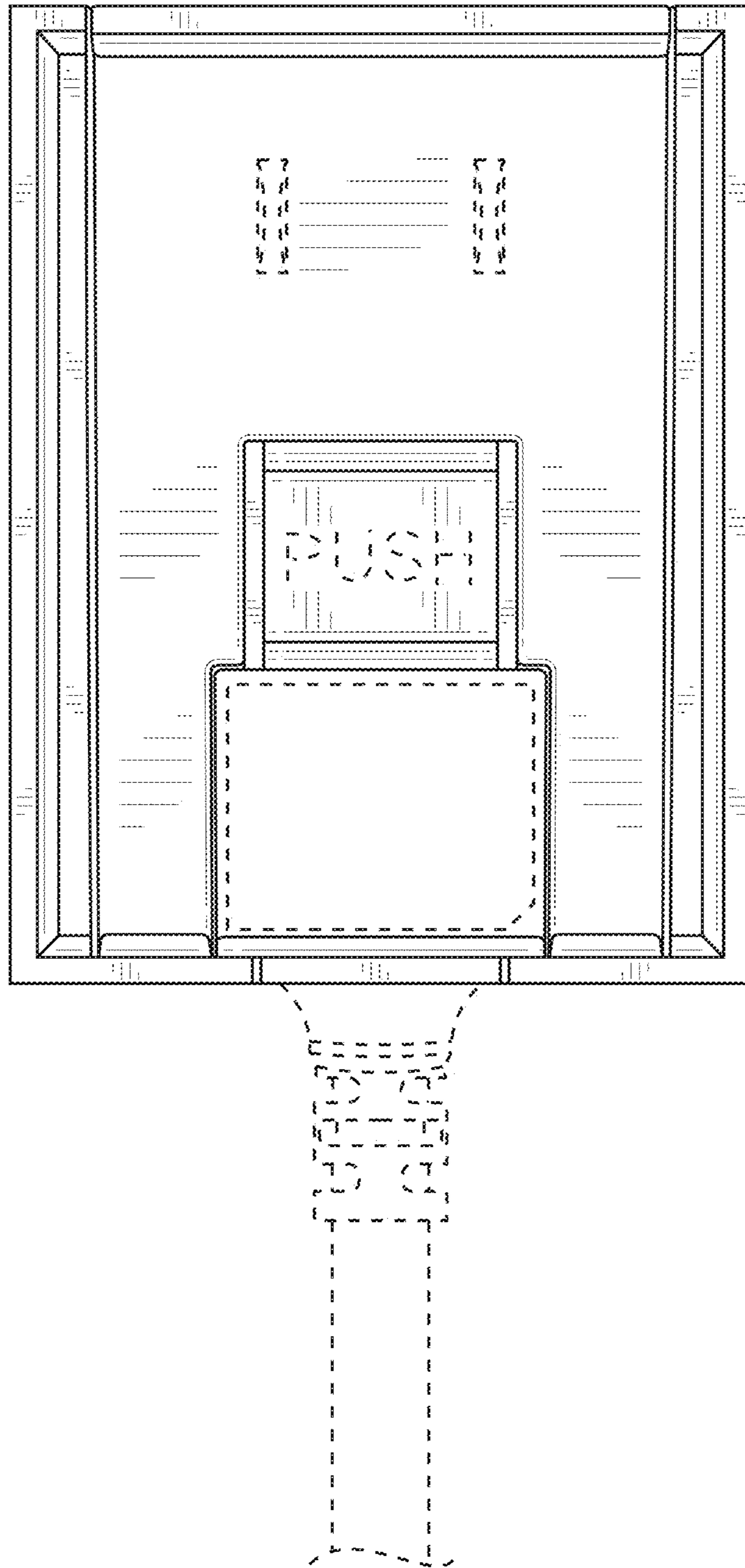


FIG. 5

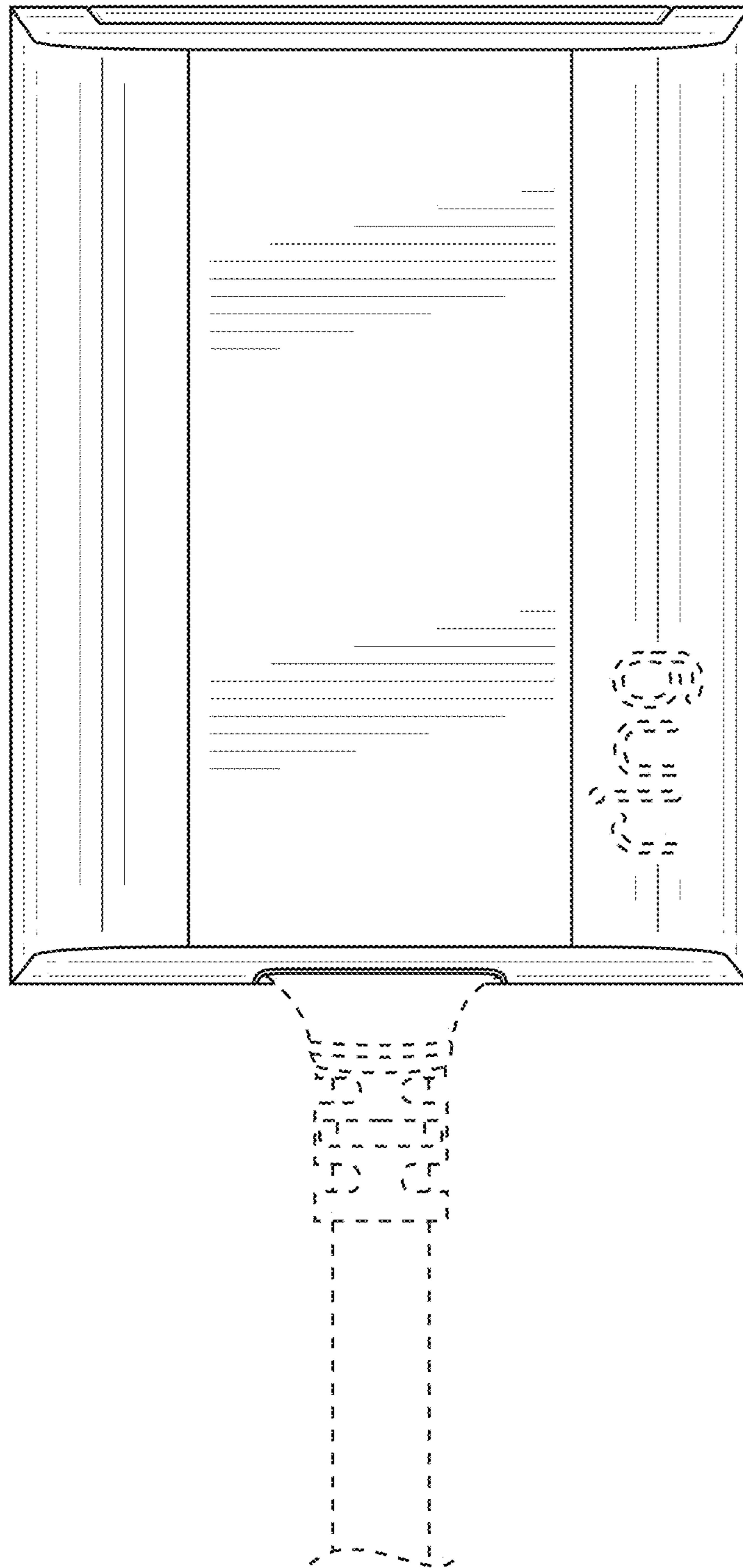


FIG. 6

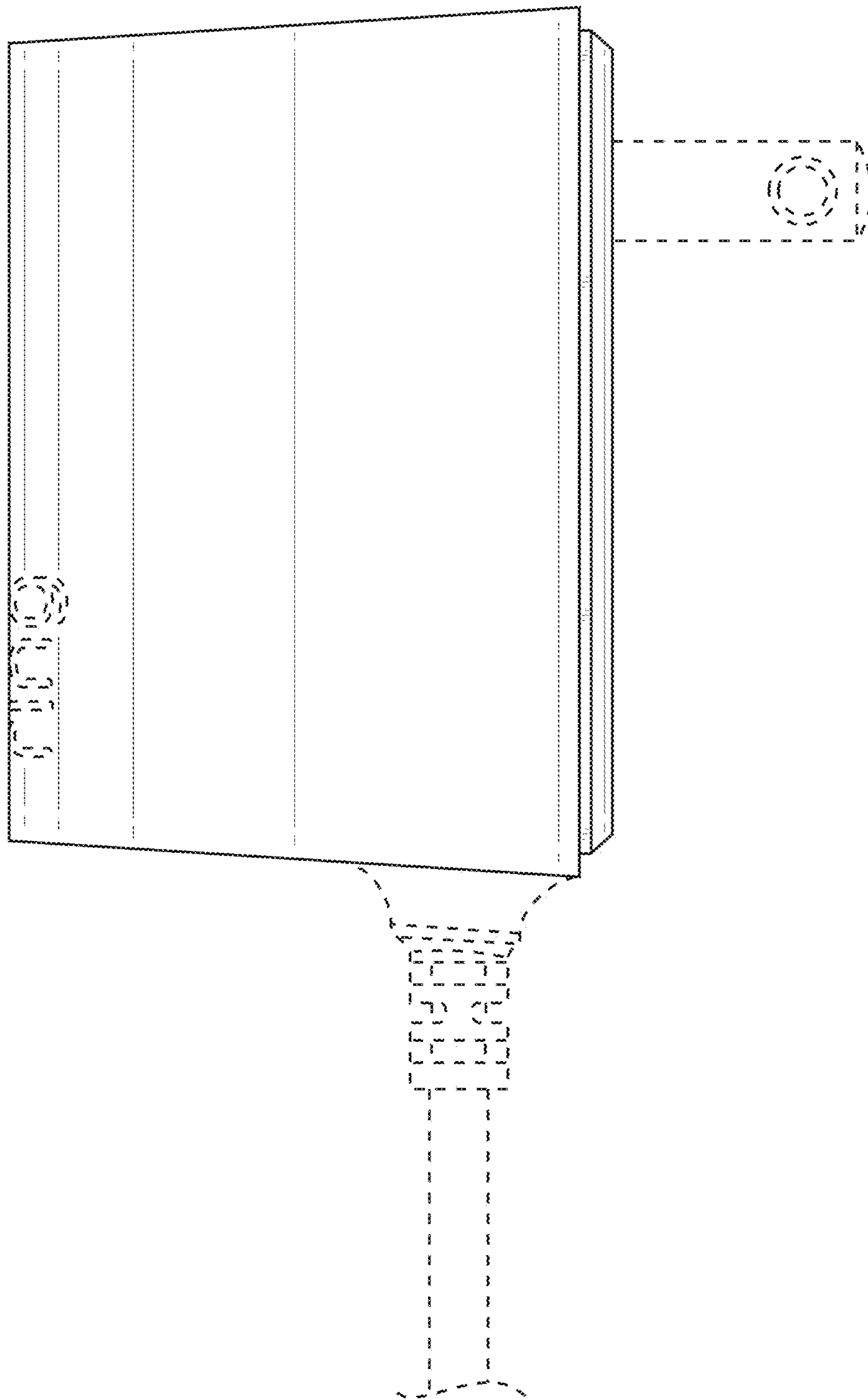


FIG. 7

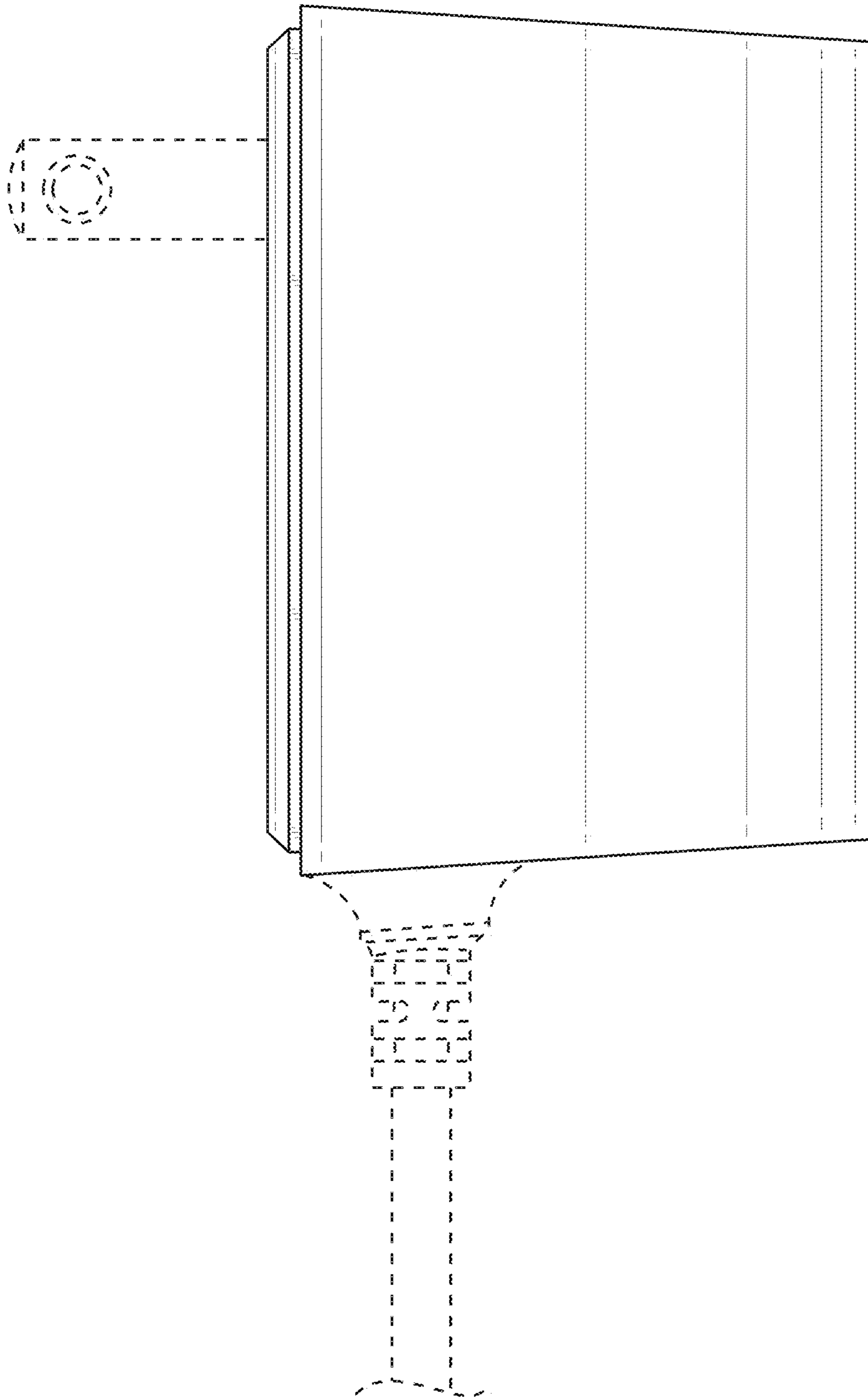


FIG. 8

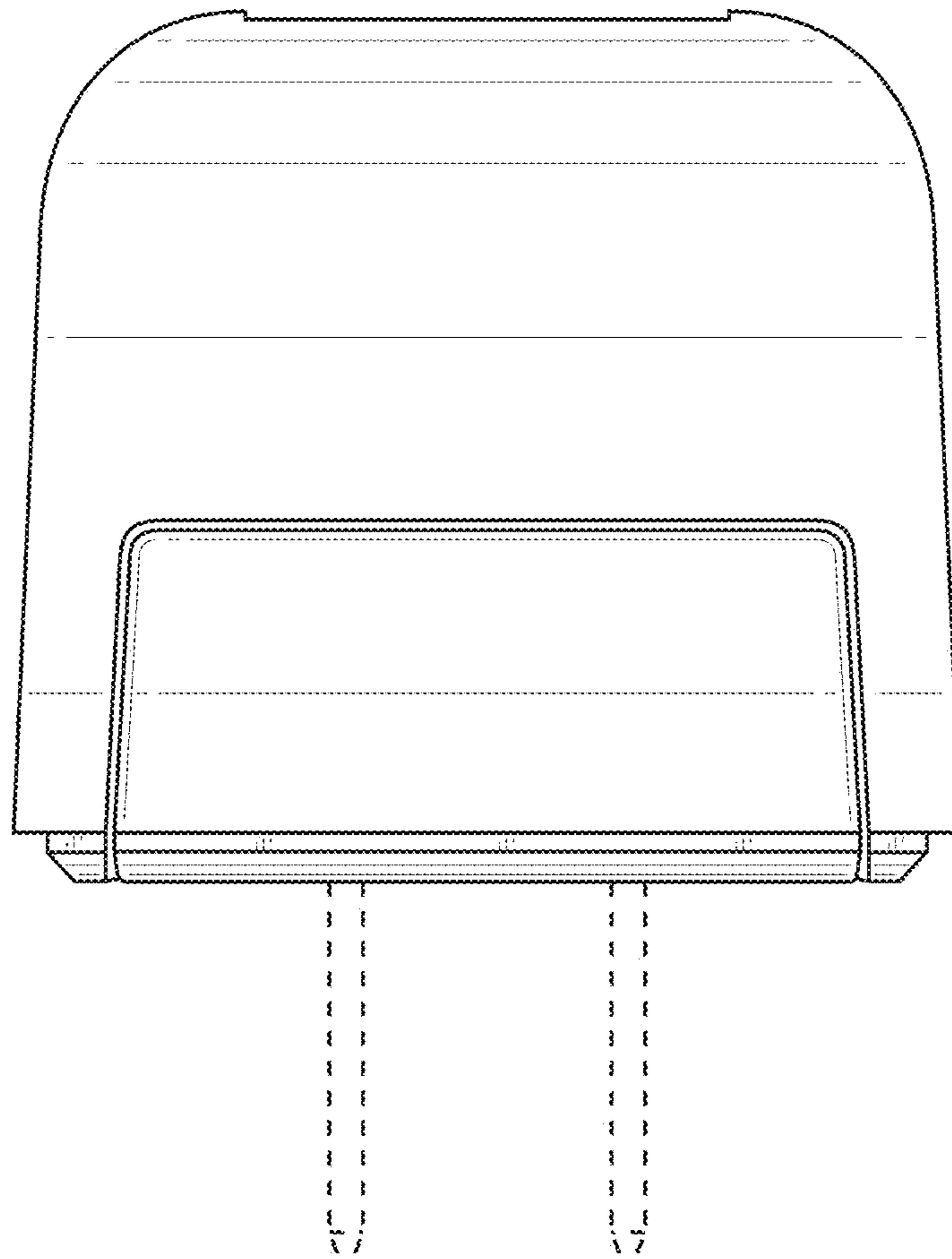


FIG. 9

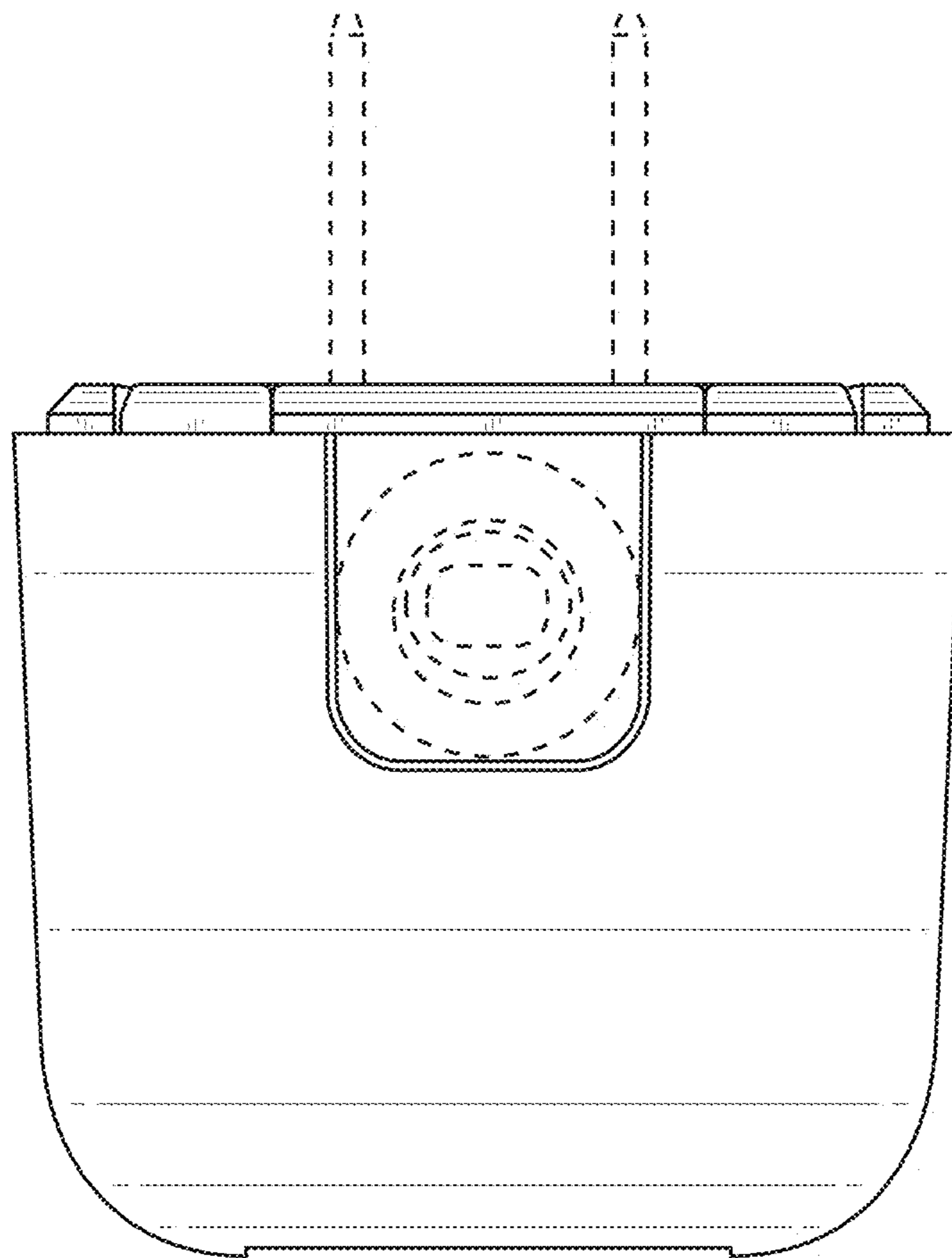


FIG. 10