



US00D924133S

(12) **United States Design Patent**  
**Chan**

(10) **Patent No.:** **US D924,133 S**

(45) **Date of Patent:** **\*\* Jul. 6, 2021**

(54) **WIRELESS CHARGING HUB**

(71) Applicant: **Aesmetric Inc.**, West Covina, CA (US)

(72) Inventor: **Kwok Chun Chan**, Hong Kong (HK)

(73) Assignee: **Aesmetric Inc.**, West Covina, CA (US)

(\*\*) Term: **15 Years**

(21) Appl. No.: **29/725,000**

(22) Filed: **Feb. 21, 2020**

(51) **LOC (13) Cl.** ..... **13-02**

(52) **U.S. Cl.**  
USPC ..... **D13/108**

(58) **Field of Classification Search**  
USPC ..... D13/103, 107, 108, 109, 110, 118, 119,  
D13/162, 162.1, 163, 168; D14/432, 433,  
D14/434, 447  
CPC ..... H02J 7/342; H02J 50/00; H02J 15/00  
See application file for complete search history.

(56) **References Cited**

**U.S. PATENT DOCUMENTS**

D542,279 S *	5/2007	Chan	.....	D14/216
D581,414 S *	11/2008	Tellier	.....	D14/358
D620,884 S *	8/2010	Lee	.....	D13/108
D697,027 S *	1/2014	Ho	.....	D13/108
D701,831 S *	4/2014	Park	.....	D13/108
D720,752 S *	1/2015	Bleeds	.....	D14/420
D748,078 S *	1/2016	Nardin	.....	D14/218
D784,271 S *	4/2017	Burke	.....	D13/168
D812,004 S *	3/2018	Lee	.....	D13/110
D877,073 S *	3/2020	Zheng	.....	D13/108
2014/0362517 A1 *	12/2014	Moock	.....	E05B 47/0012 361/679.43
2015/0077239 A1 *	3/2015	Litjen	.....	H02J 7/0047 340/455
2021/0028636 A1 *	1/2021	Kleeman	.....	H02J 50/005

**OTHER PUBLICATIONS**

“Cylindrical Charger”. Found online Apr. 23, 2021 at dhgate.com. Reference dated Aug. 8, 2019. Retrieved from <https://tineye.com/>

search/7a13170d6bfb4597bc5187919690c08586877a51?sort=crawl\_date&order=asc&page=1. (Year: 2019).\*  
“Lynq Charging Hub Charging Hub”. Found online Apr. 26, 2021 at kickstarter.com. Reference dated Sep. 12, 2017. Retrieved from <https://www.kickstarter.com/projects/2101772053/lynq-the-no-nonsense-6-in-1-charging-hub/posts/1987064>. (Year: 2017).\*  
“ILEPO Wireless Charger Speaker”. Found online Apr. 26, 2021 at dhgate.com. Reference dated Apr. 19, 2018. Retrieved from <https://www.dhgate.com/product/1-piece-wireless-charger-speaker-qi-enabled/409491596.html>. <https://www.dhgate.com/product/1-piece-wireless-charger-speaker-qi-enabled/409491596.html> (Year: 2018).\*

\* cited by examiner

*Primary Examiner* — Kendra Leslie Hamilton

*Assistant Examiner* — Amanda Christensen

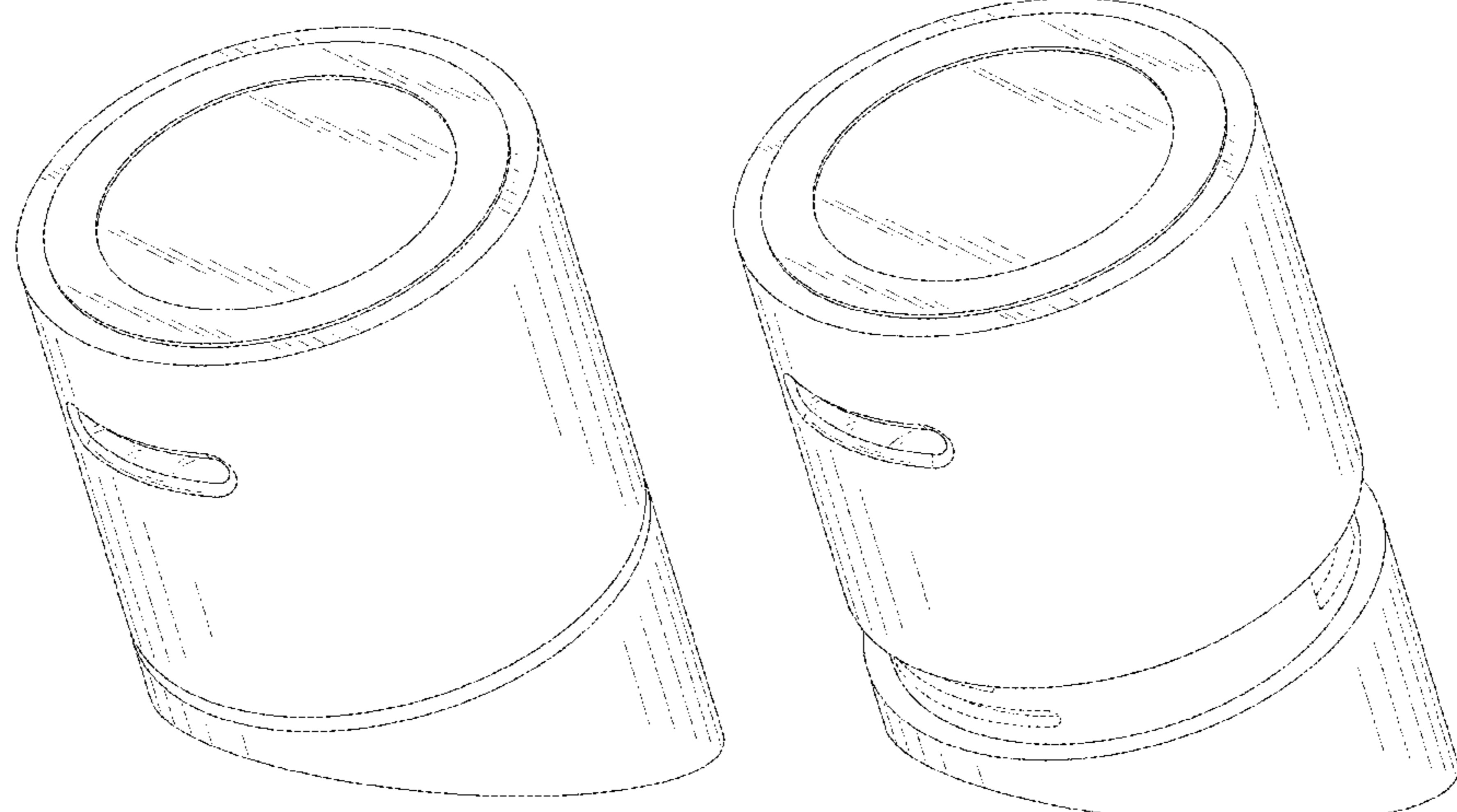
(57) **CLAIM**

The ornamental design for a wireless charging hub, as shown and described.

**DESCRIPTION**

FIG. 1 is a top, front and right side perspective view of a wireless charging hub showing my new design;  
FIG. 2 is a bottom, rear and left side perspective view thereof;  
FIG. 3 is a front elevational view thereof;  
FIG. 4 is a rear elevational view thereof;  
FIG. 5 is a left side view thereof;  
FIG. 6 is a right side view thereof;  
FIG. 7 is a top plan view thereof;  
FIG. 8 is a bottom plan view thereof;  
FIG. 9 is a top, front and right side perspective view showing the wireless charging hub in an open state; and,  
FIG. 10 is a bottom, rear and left side perspective view showing the wireless charging hub in an open state.  
The broken lines in the drawings illustrate portions of the wireless charging hub which form no part of the claimed design. The oblique shade lines in the drawings indicate transparency.

**1 Claim, 10 Drawing Sheets**



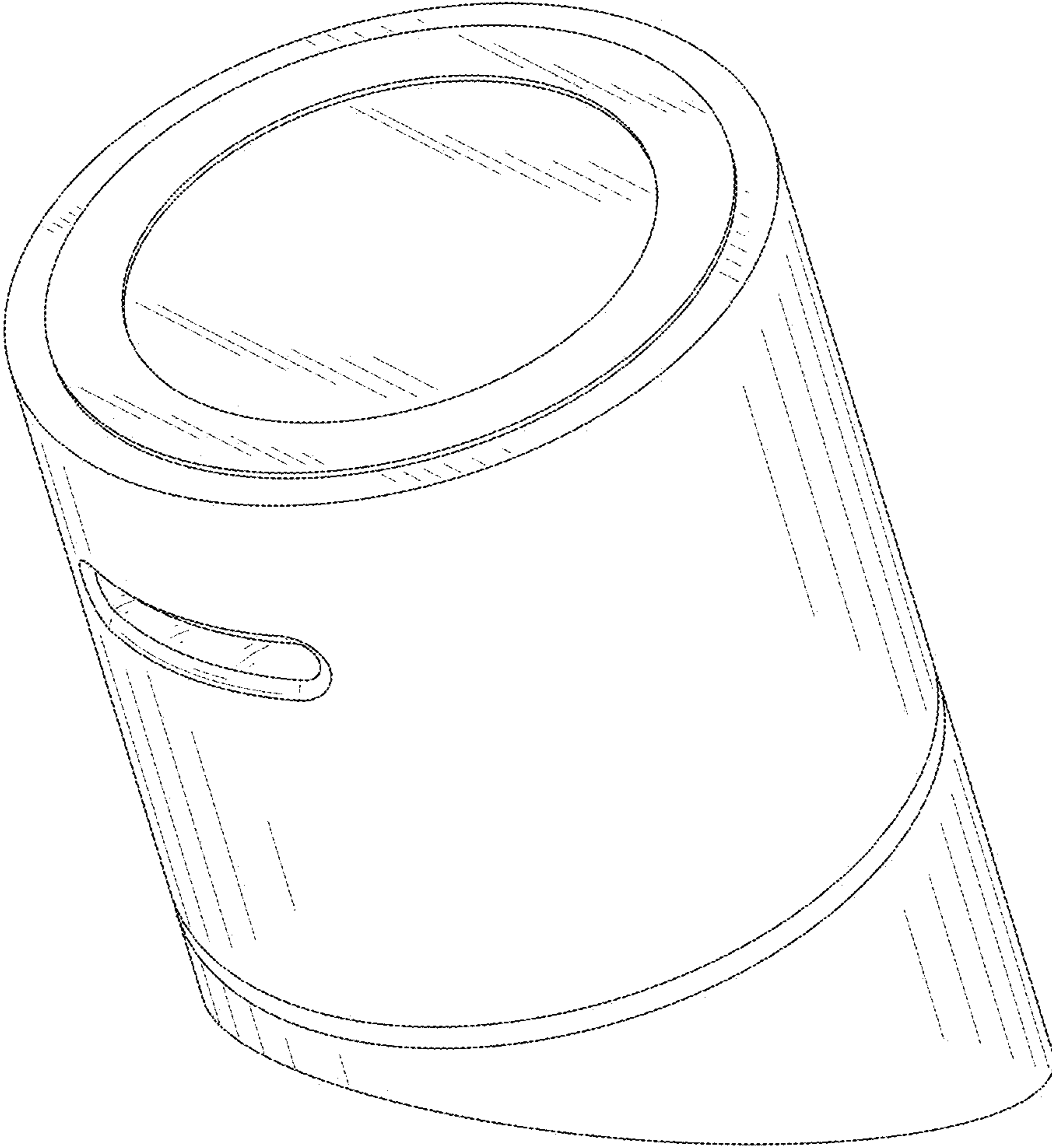


FIG. 1

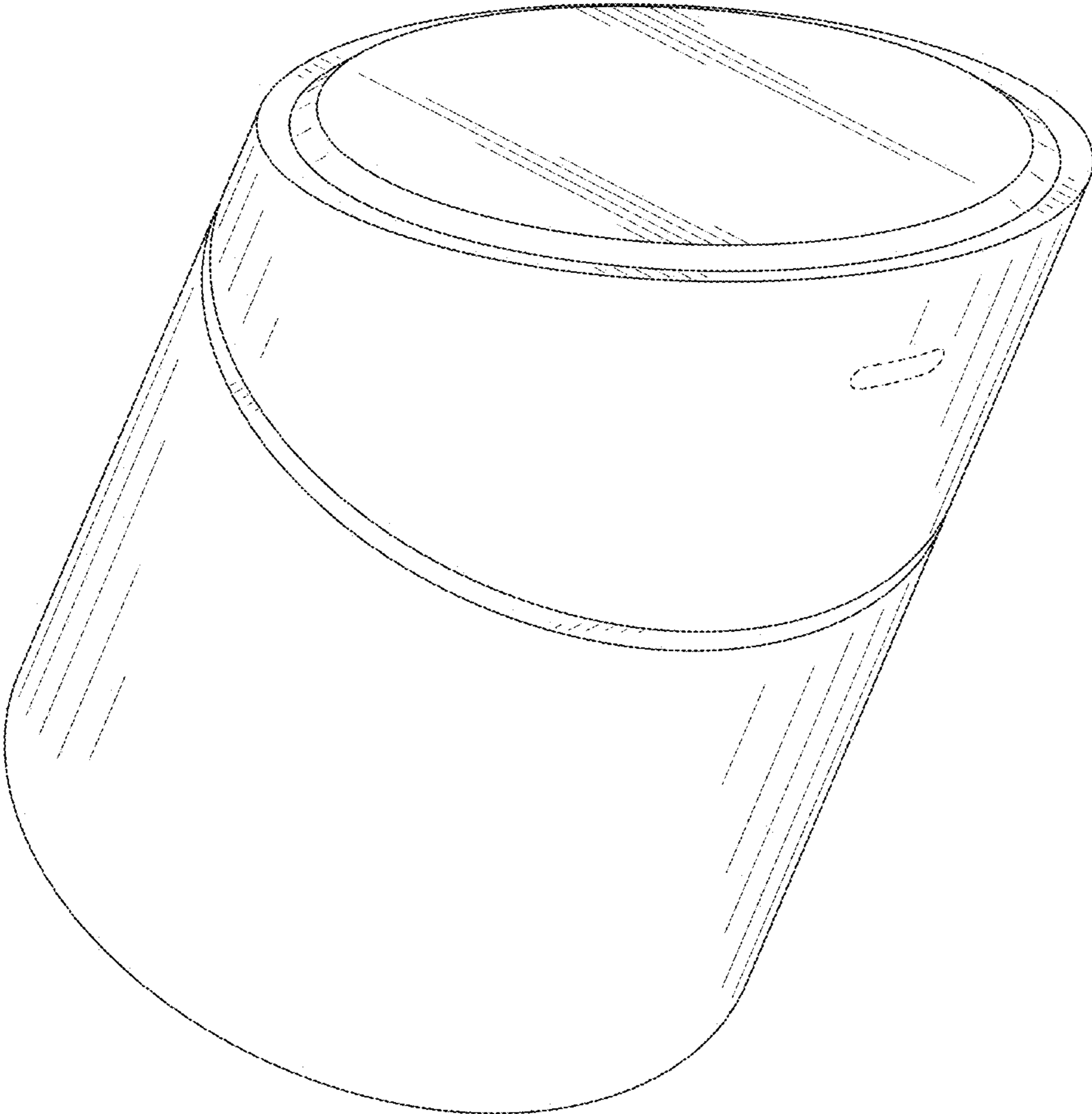


FIG. 2

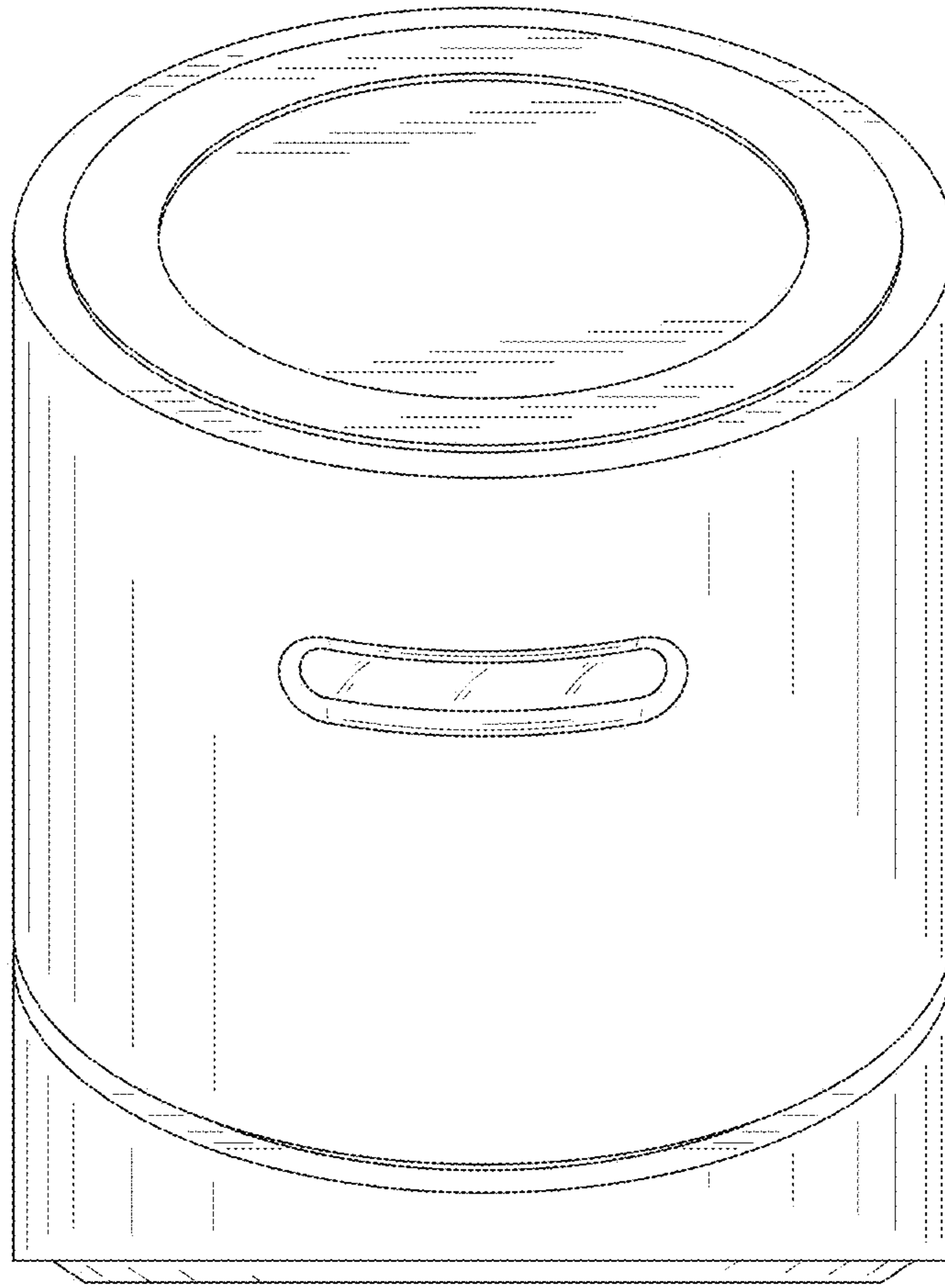


FIG. 3

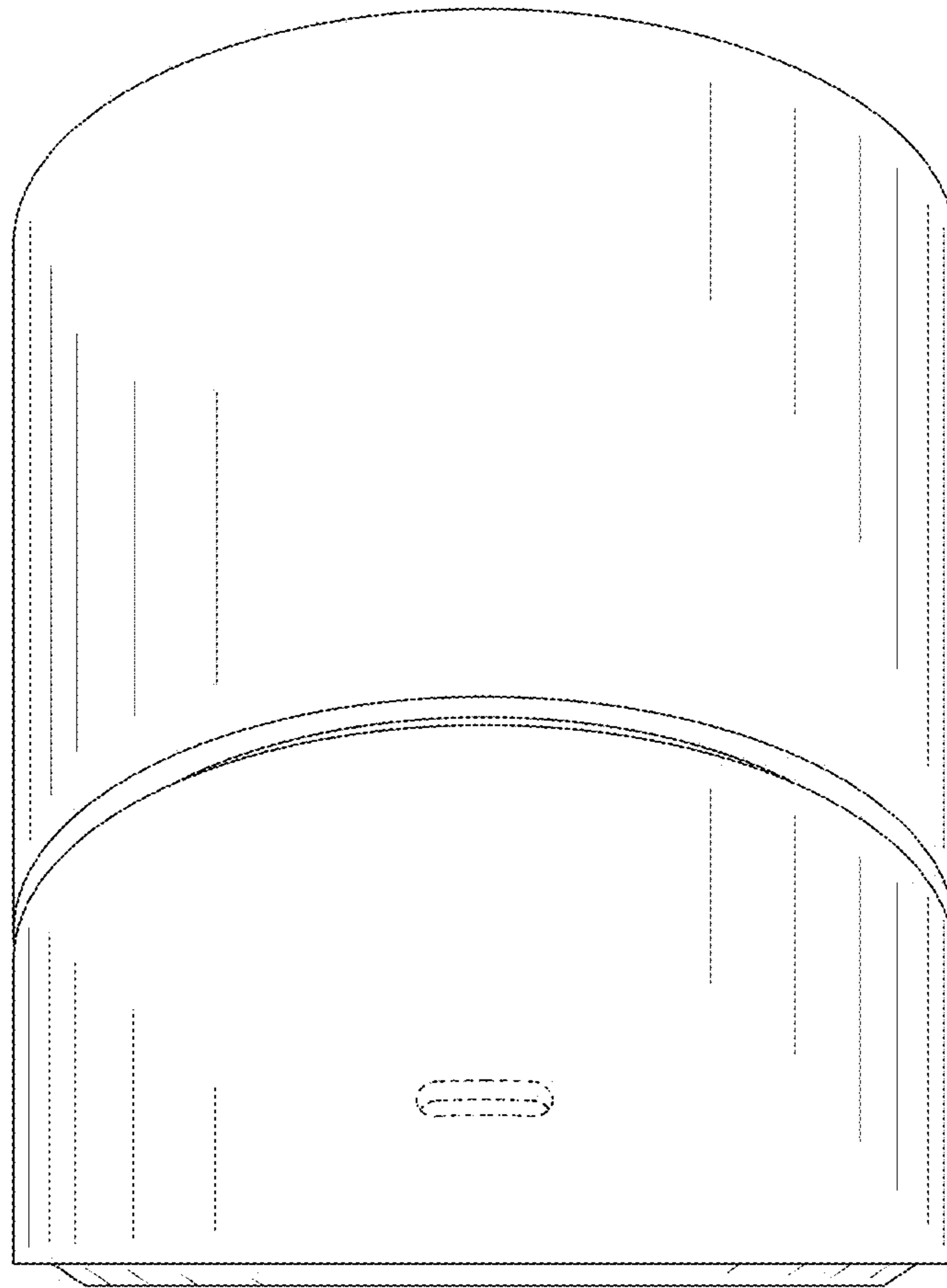


FIG. 4

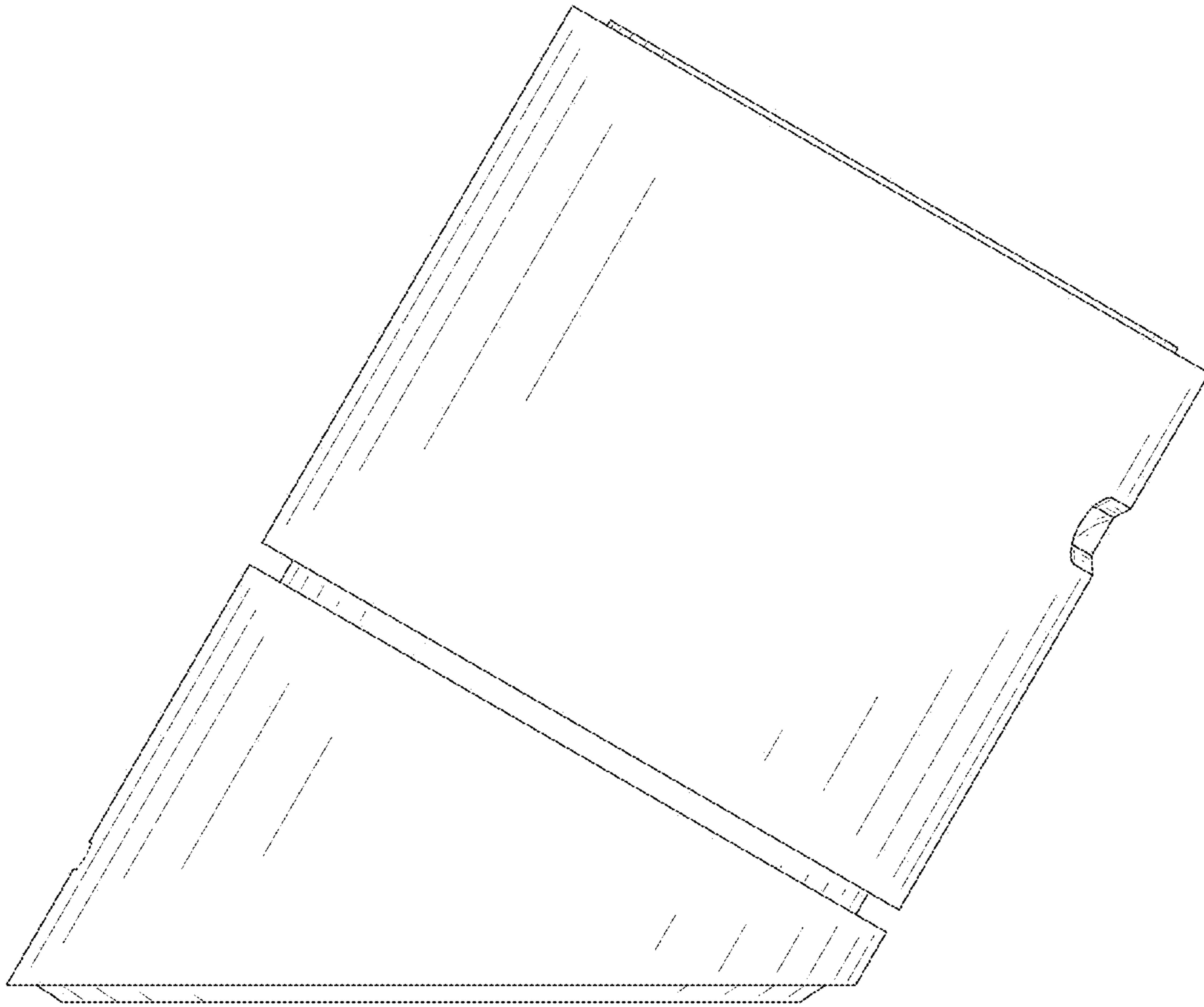


FIG. 5

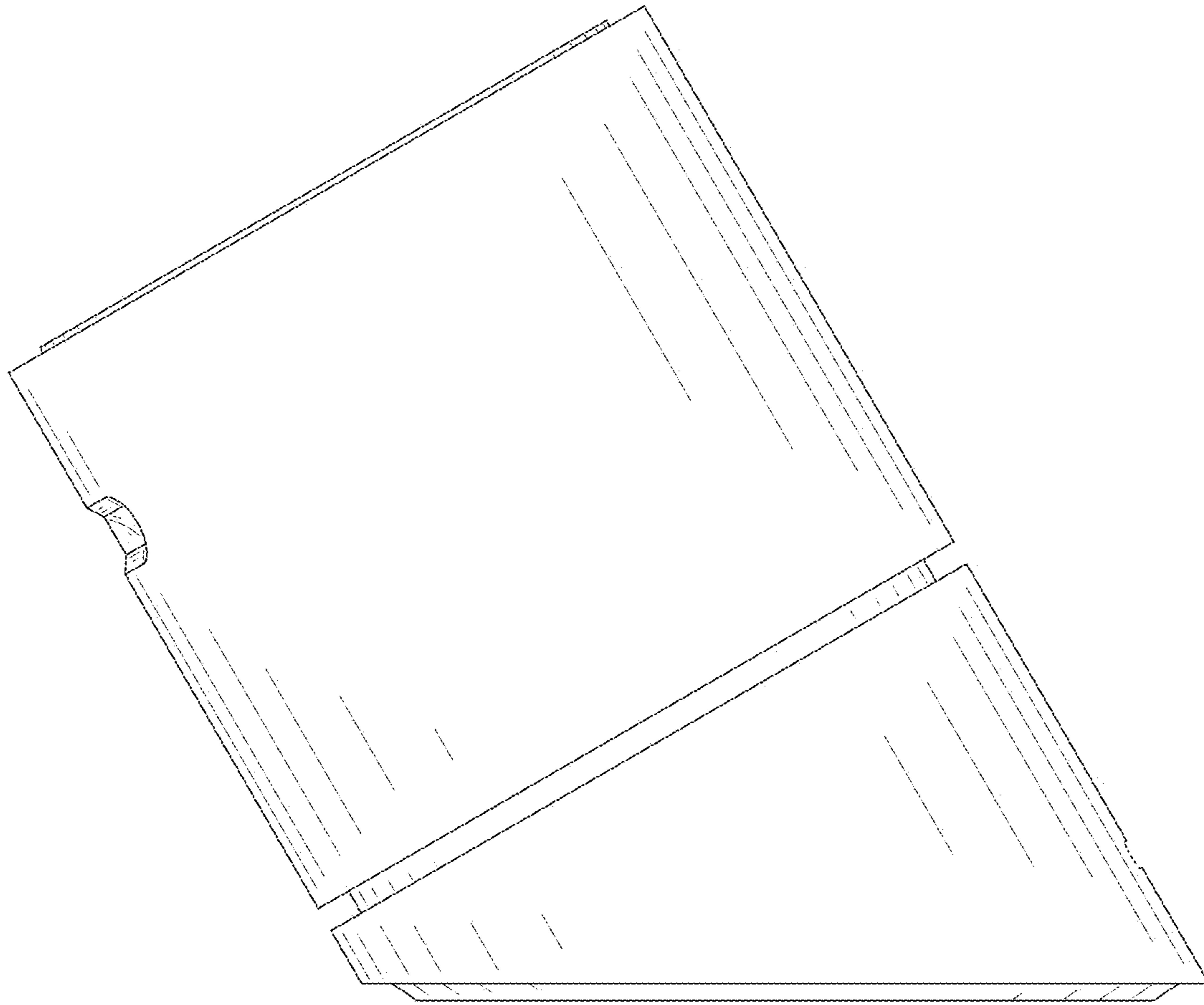


FIG. 6

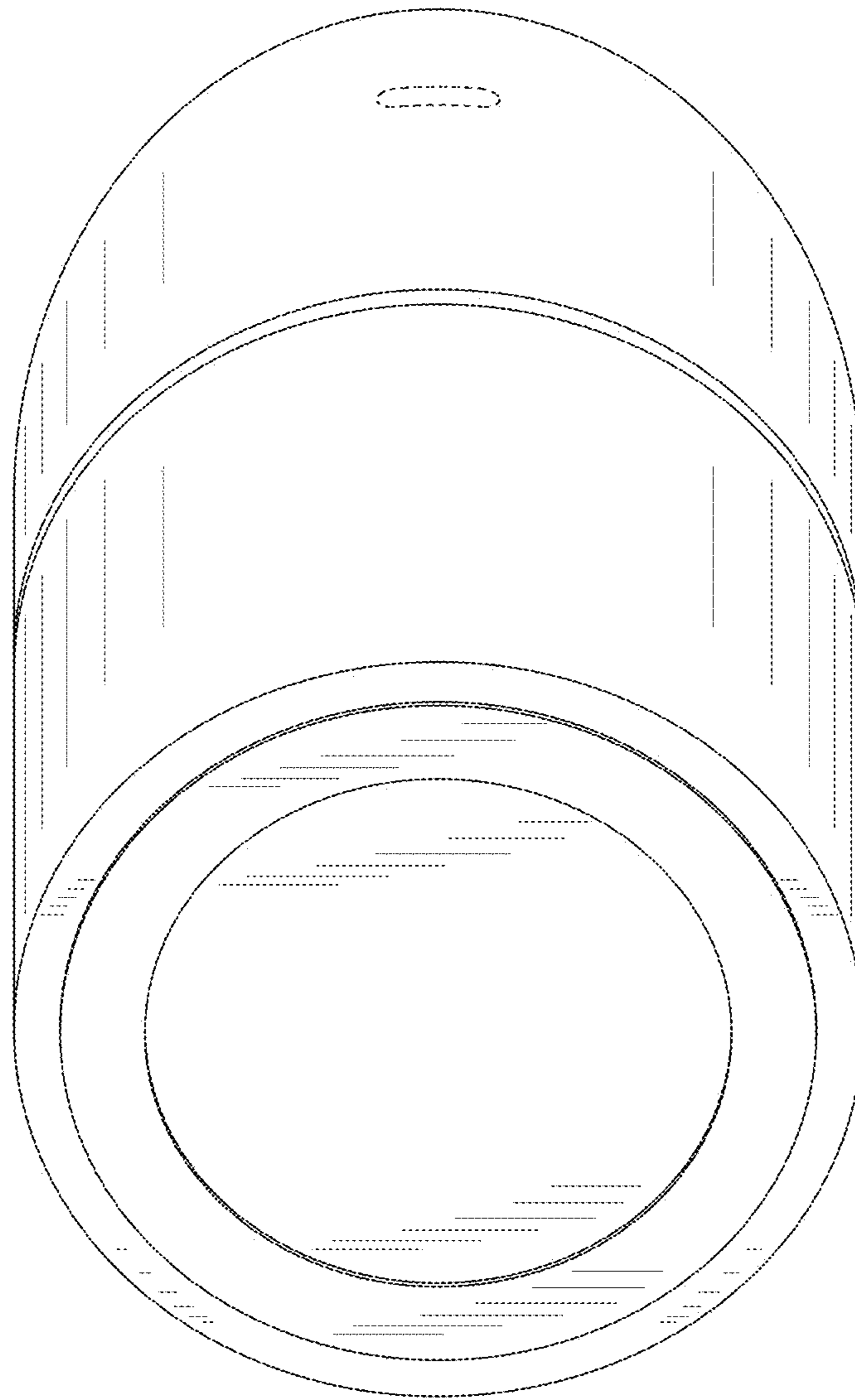


FIG. 7



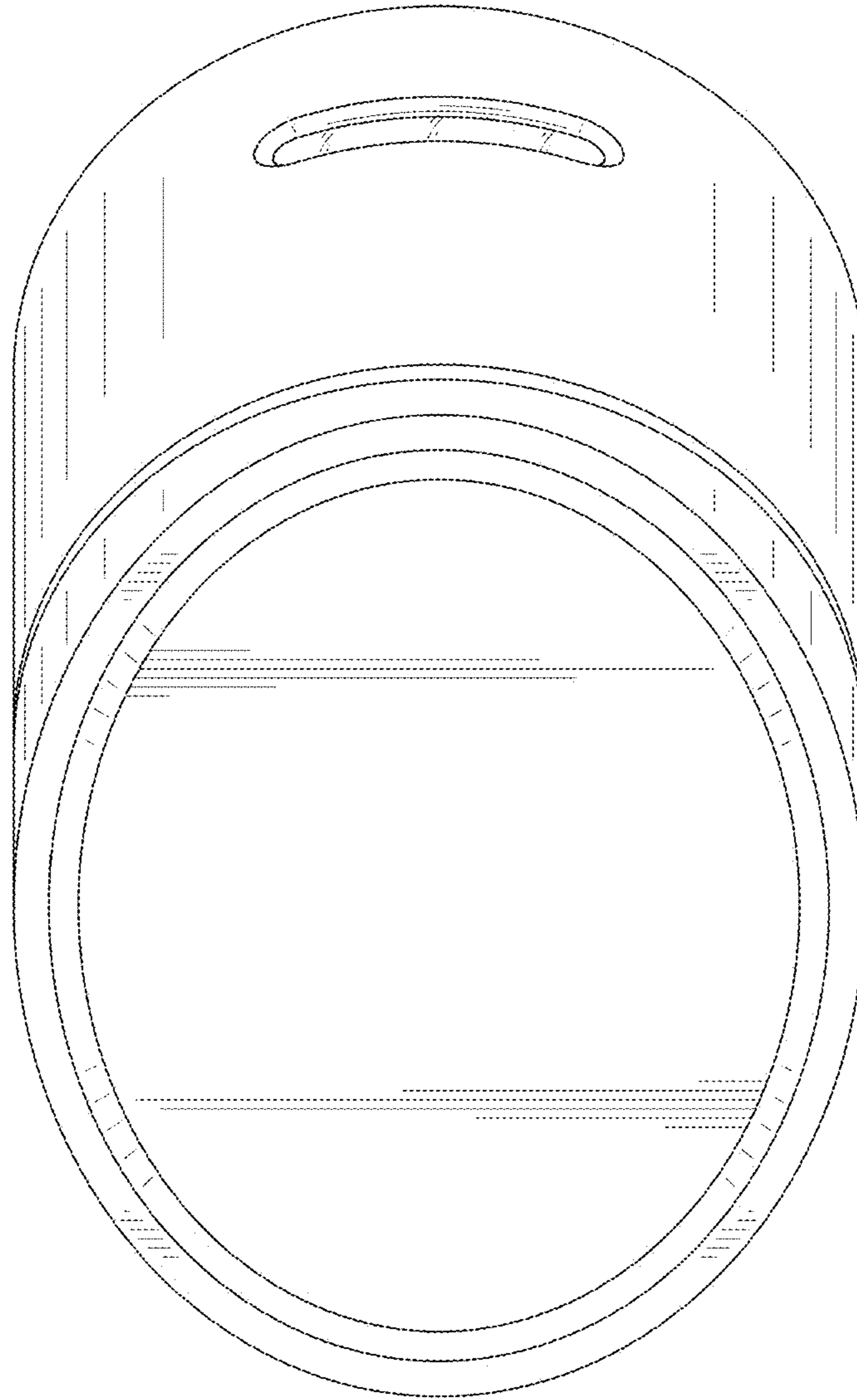


FIG. 8

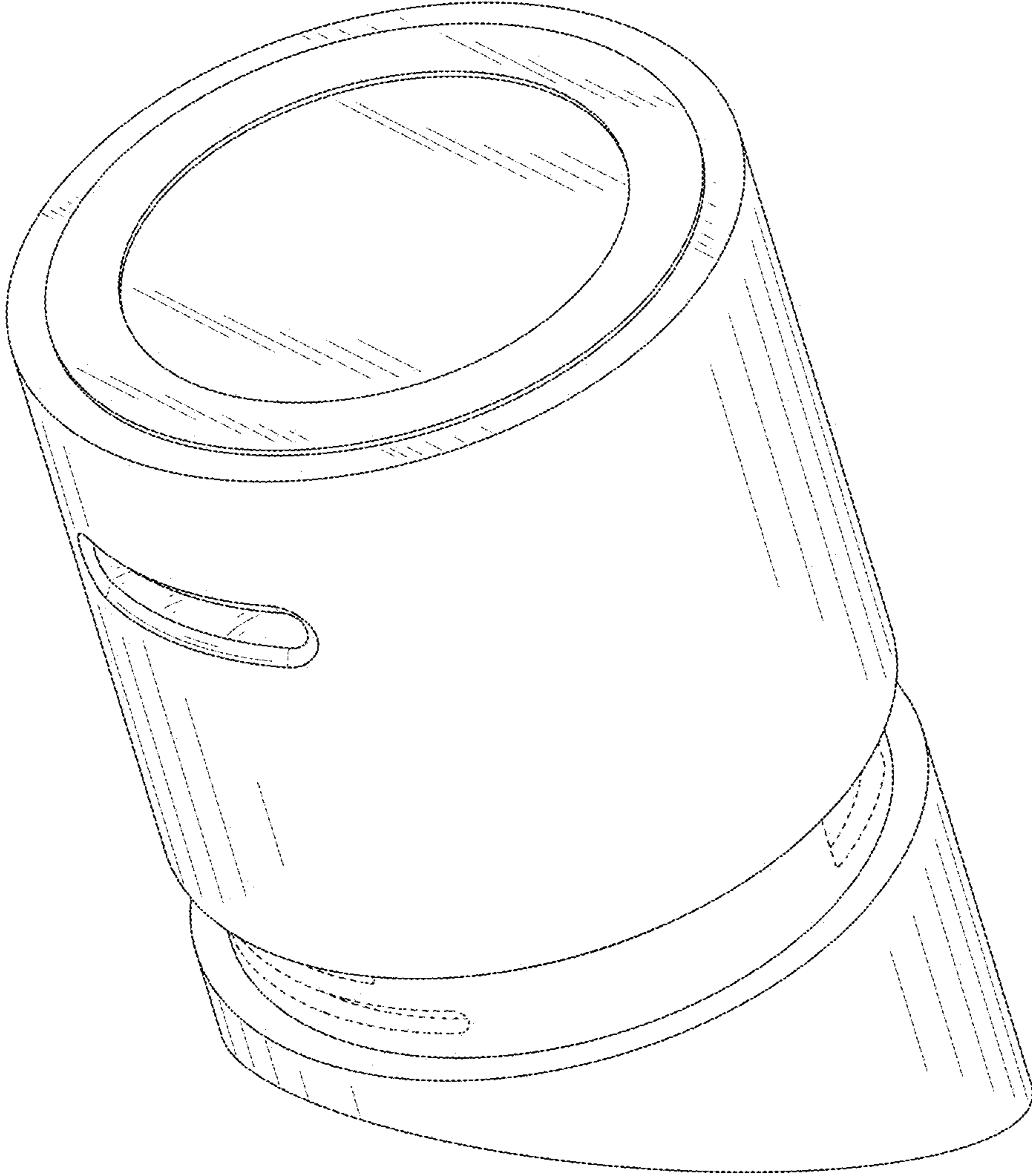


FIG. 9

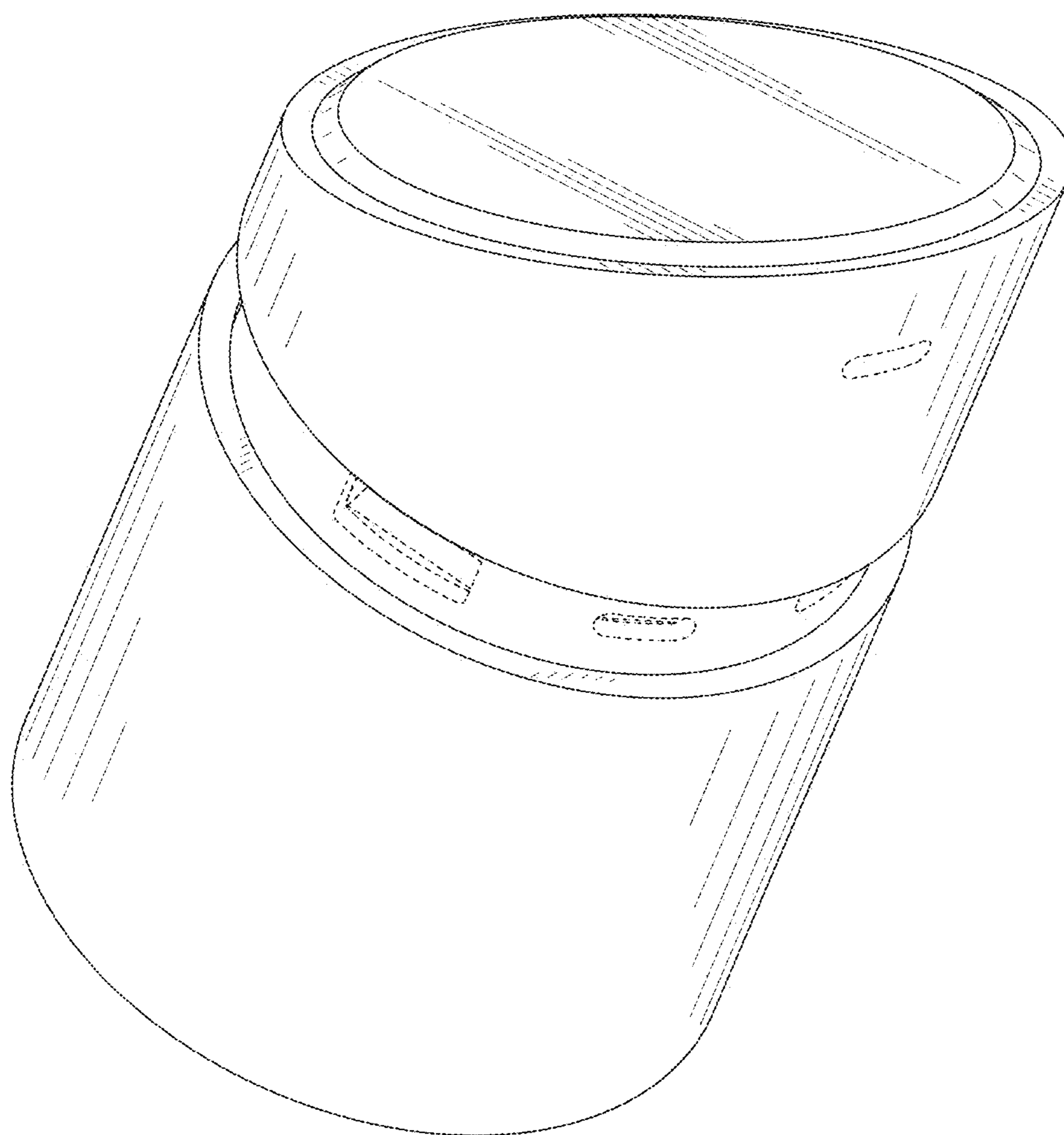


FIG. 10