



US00D924131S

(12) **United States Design Patent** (10) **Patent No.:** **US D924,131 S**  
**Kuo** (45) **Date of Patent:** **\*\* Jul. 6, 2021**

(54) **CHARGING STAND**

(71) Applicant: **GETAC TECHNOLOGY CORPORATION**, Hsinchu County (TW)

(72) Inventor: **Hsiu-Yu Kuo**, Taipei (TW)

(73) Assignee: **GETAC TECHNOLOGY CORPORATION**, Hsinchu County (TW)

(\*\*) Term: **15 Years**

(21) Appl. No.: **29/714,488**

(22) Filed: **Nov. 22, 2019**

(51) **LOC (13) Cl.** ..... **13-02**

(52) **U.S. Cl.**  
USPC ..... **D13/108**; D14/434; D14/447

(58) **Field of Classification Search**  
USPC ..... D13/103, 107, 108, 109, 110, 118, 119;  
D14/356, 434, 447, 209.1, 251, 253  
CPC ..... H02J 7/342; H02J 50/00; H01R 2201/06  
See application file for complete search history.

(56) **References Cited**

**U.S. PATENT DOCUMENTS**

D647,525 S *	10/2011	Seto .....	D14/434
D657,741 S *	4/2012	Fahrendorff .....	D13/108
D661,309 S *	6/2012	Murrer .....	D14/447
D672,350 S *	12/2012	Gioscia .....	D14/434
D685,322 S *	7/2013	Szymanski .....	D13/108
D692,009 S *	10/2013	Ashida .....	D14/447
D704,633 S *	5/2014	Ryu .....	D13/108
D779,493 S *	2/2017	Eliyahu .....	D14/434
D791,778 S *	7/2017	Miniard .....	D14/447
2012/0001048 A1 *	1/2012	Takahashi .....	H04M 1/04 248/346.03
2013/0003291 A1 *	1/2013	Zhou .....	F16M 13/00 361/679.41
2014/0375271 A1 *	12/2014	Wang .....	H02J 7/0044 320/115
2016/0204635 A1 *	7/2016	Suzuki .....	G06F 1/1626 361/679.3

**OTHER PUBLICATIONS**

“FNSHIP Cell Phone Dock Stand Station”. Found online Apr. 6, 2021 at amazon.com. Reference dated Nov. 2, 2018. Retrieved from [https://www.amazon.com/FNSHIP-Station-Desktop-Samsung-Eclipse/dp/B07K573RBR/ref=psdc\\_2407761011\\_t1\\_B07FM2DZGV](https://www.amazon.com/FNSHIP-Station-Desktop-Samsung-Eclipse/dp/B07K573RBR/ref=psdc_2407761011_t1_B07FM2DZGV). (Year: 2018).\*

“HP Pro Tablet Mobile Retail Charging Dock”. Found online Apr. 6, 2021 at walmart.com. Reference dated Aug. 16, 2016. Retrieved from [https://tineye.com/search/e2aaff160885368b16b201579beed0bca87c5d8?sort=crawl\\_date&order=asc&page=1](https://tineye.com/search/e2aaff160885368b16b201579beed0bca87c5d8?sort=crawl_date&order=asc&page=1). (Year: 2016).\*

“Inateck 4-port USB Charging Dock”. Found online Apr. 6, 2021 windowscentral.com. Reference dated Oct. 22, 2015. Retrieved from <https://www.windowscentral.com/review-inateck-4-port-usb-charging-dock>. (Year: 2015).\*

\* cited by examiner

*Primary Examiner* — Kendra Leslie Hamilton

*Assistant Examiner* — Amanda Christensen

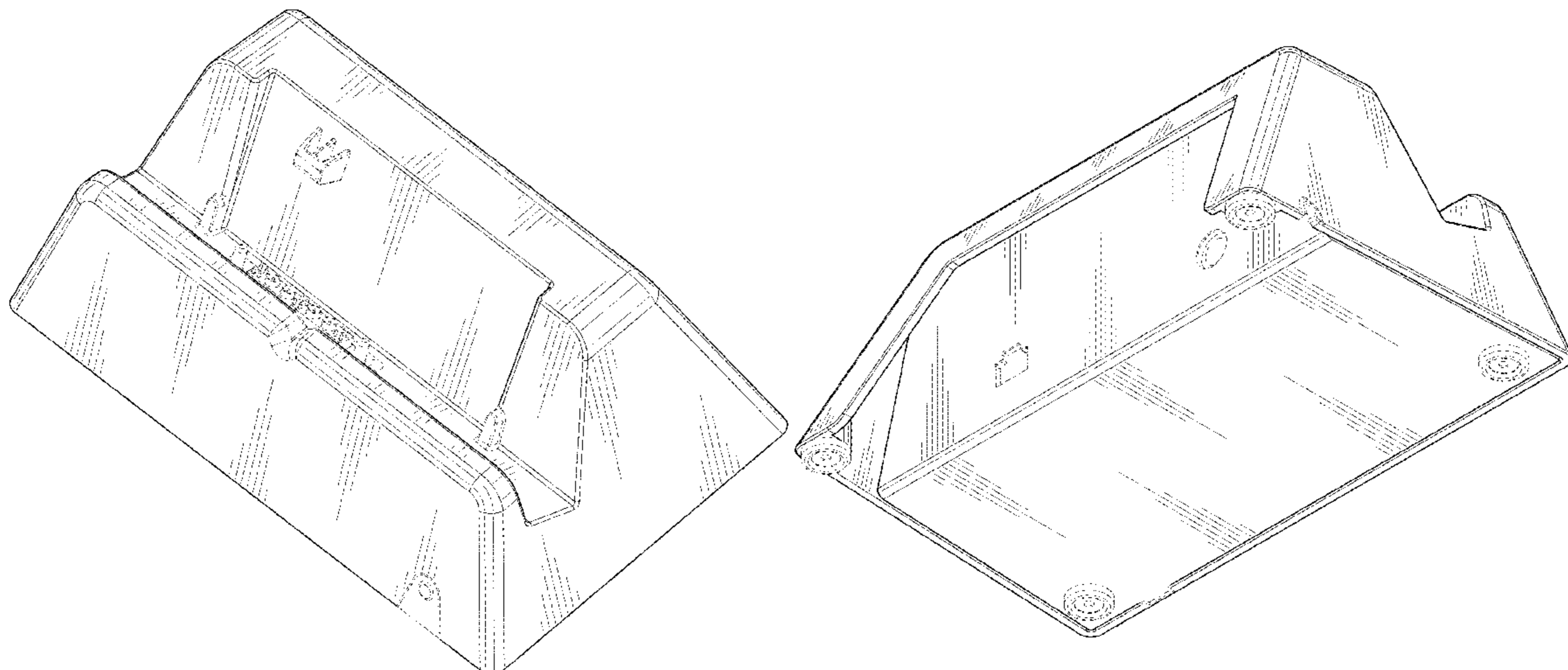
(57) **CLAIM**

The ornamental design for a charging stand, as shown and described.

**DESCRIPTION**

FIG. 1 is a right, front and top perspective view of a charging stand, showing my new design;  
FIG. 2 is a front elevational view thereof;  
FIG. 3 is a rear elevational view thereof;  
FIG. 4 is a left side elevational view thereof;  
FIG. 5 is a right side elevational view thereof;  
FIG. 6 is a top plan view thereof;  
FIG. 7 is a bottom plan view thereof; and,  
FIG. 8 is a left, rear and bottom perspective view thereof.  
The broken lines depict portions of the charging stand which form no part of the claimed design.

**1 Claim, 5 Drawing Sheets**



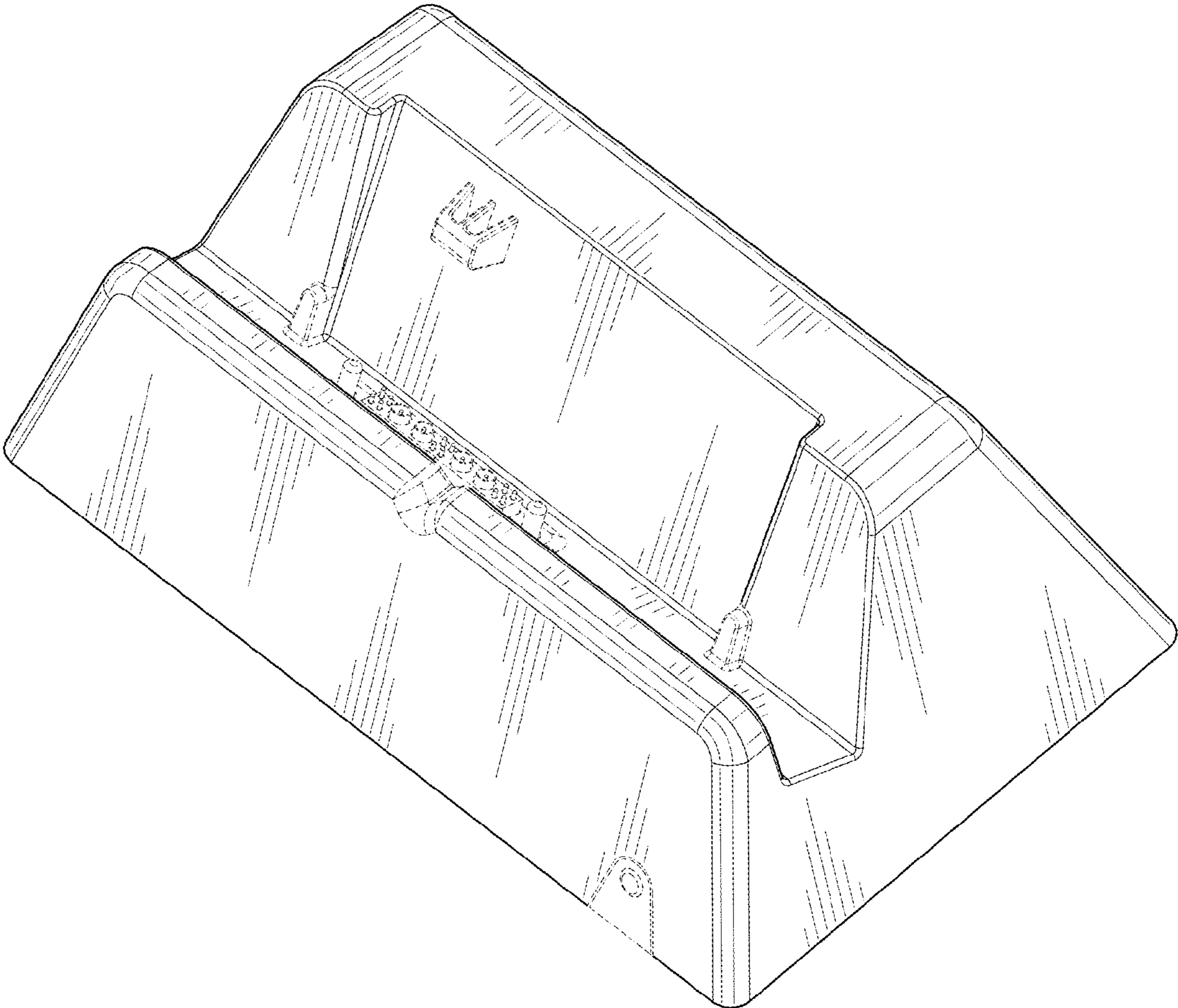


FIG. 1

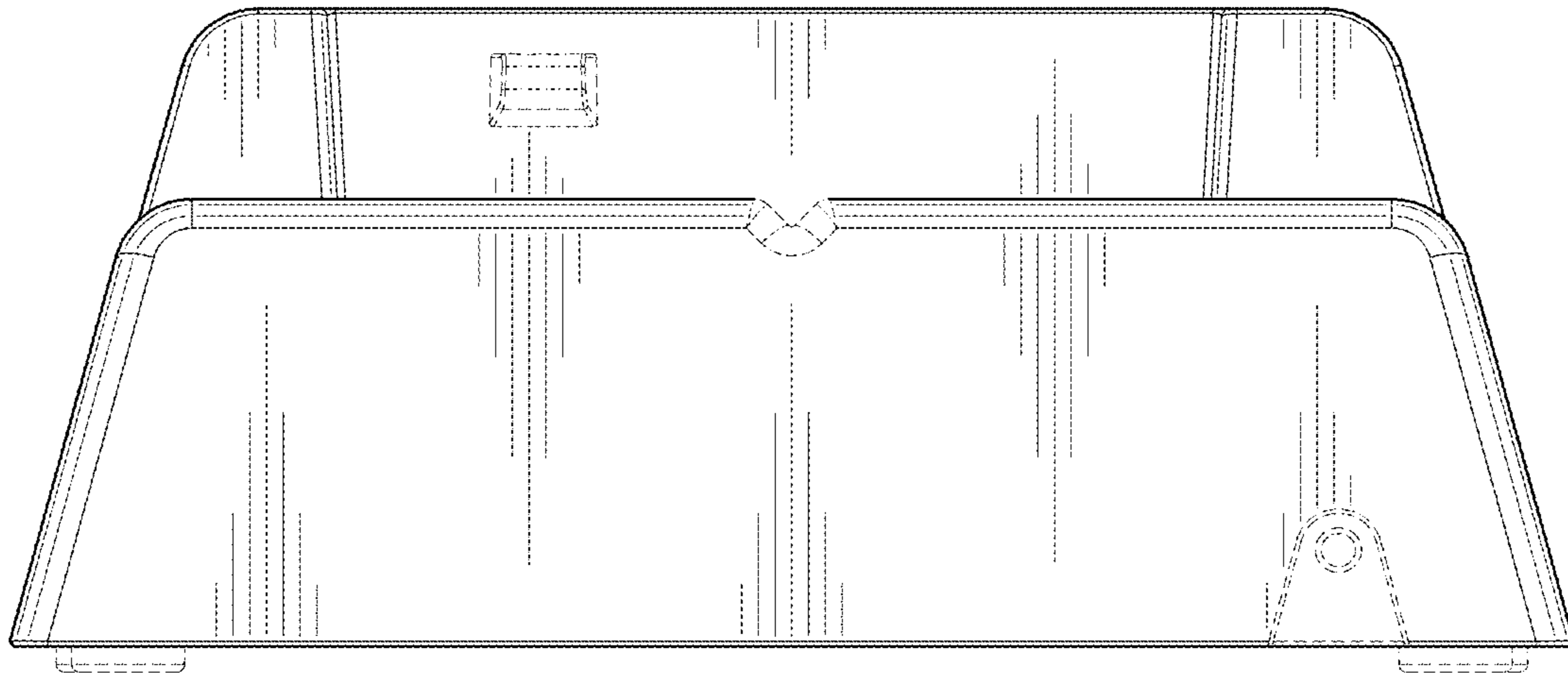


FIG. 2

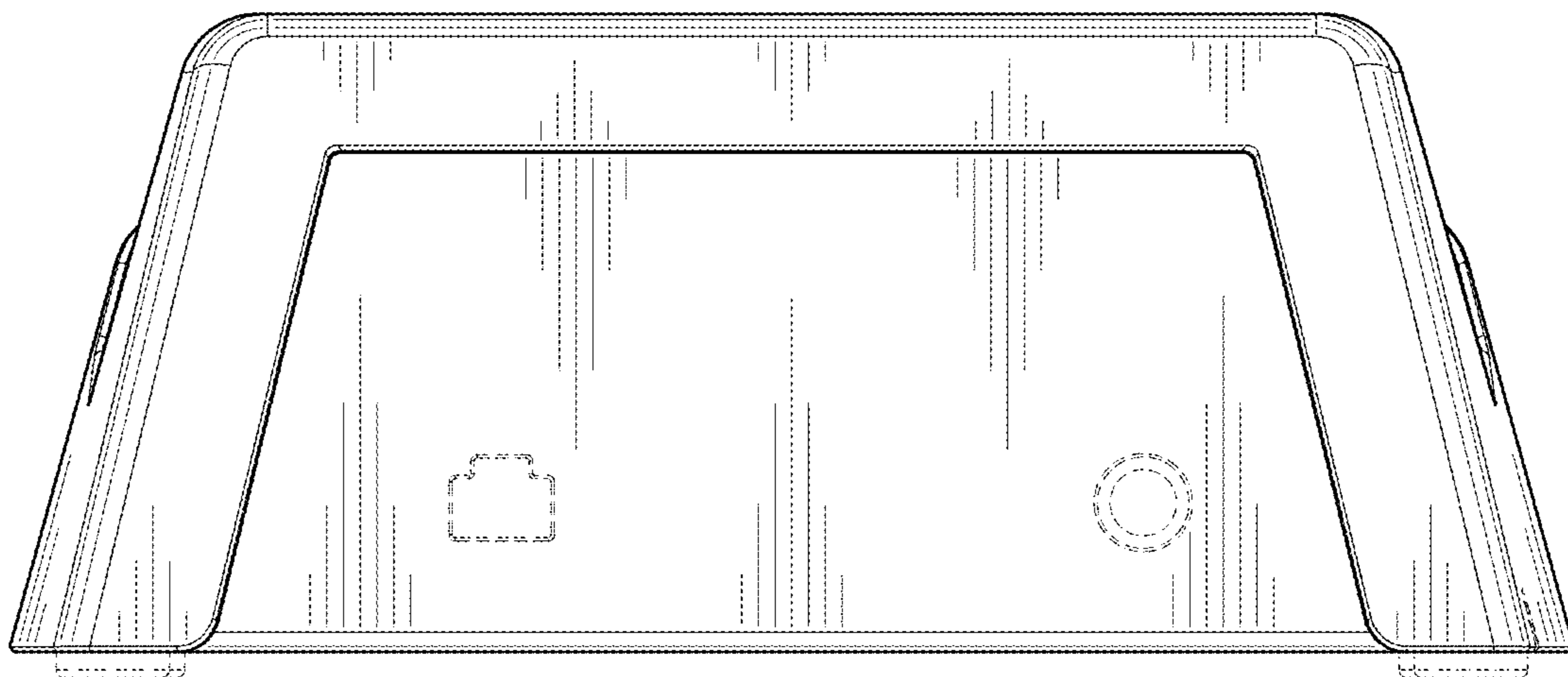


FIG. 3

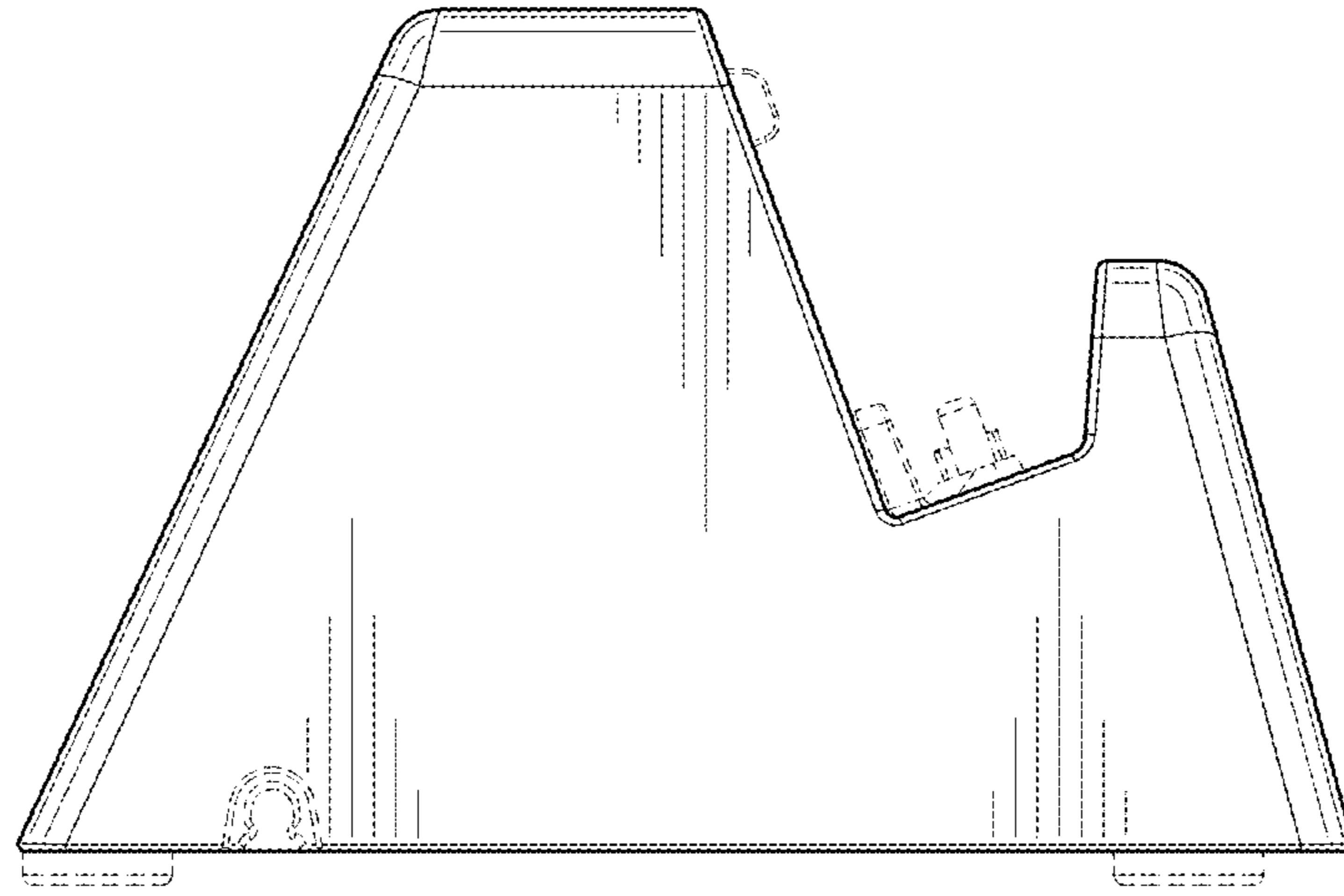


FIG. 4

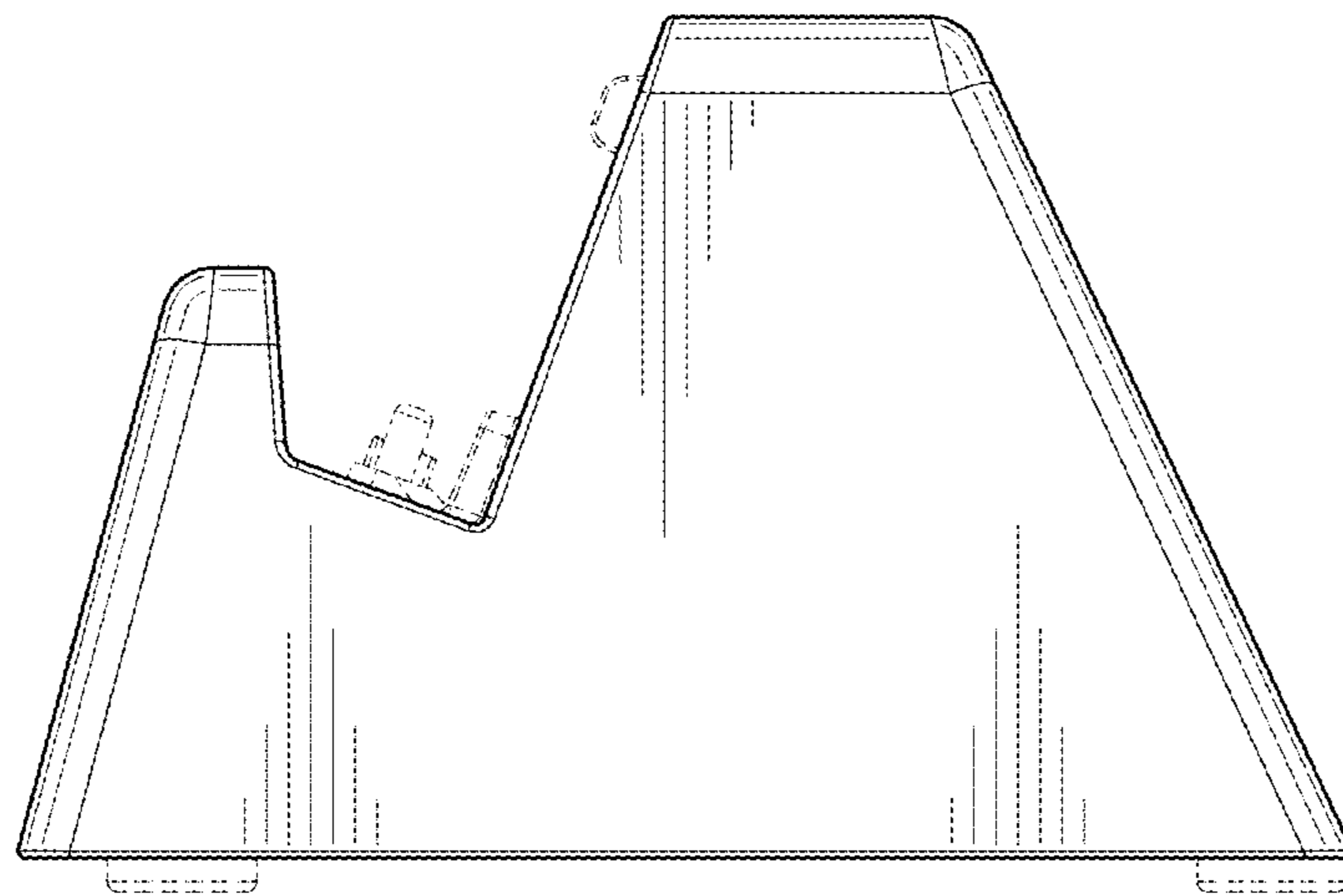


FIG. 5

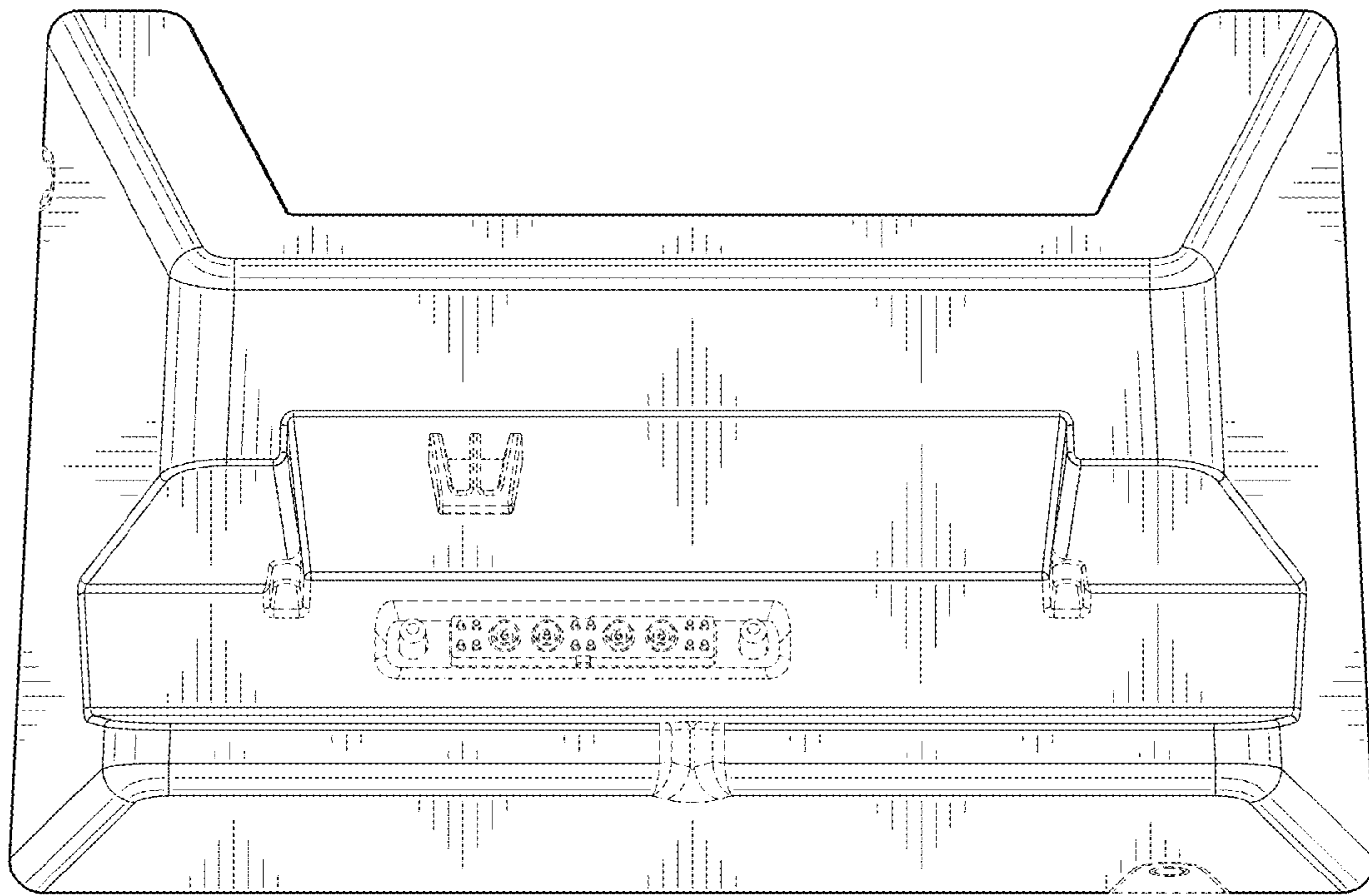


FIG. 6

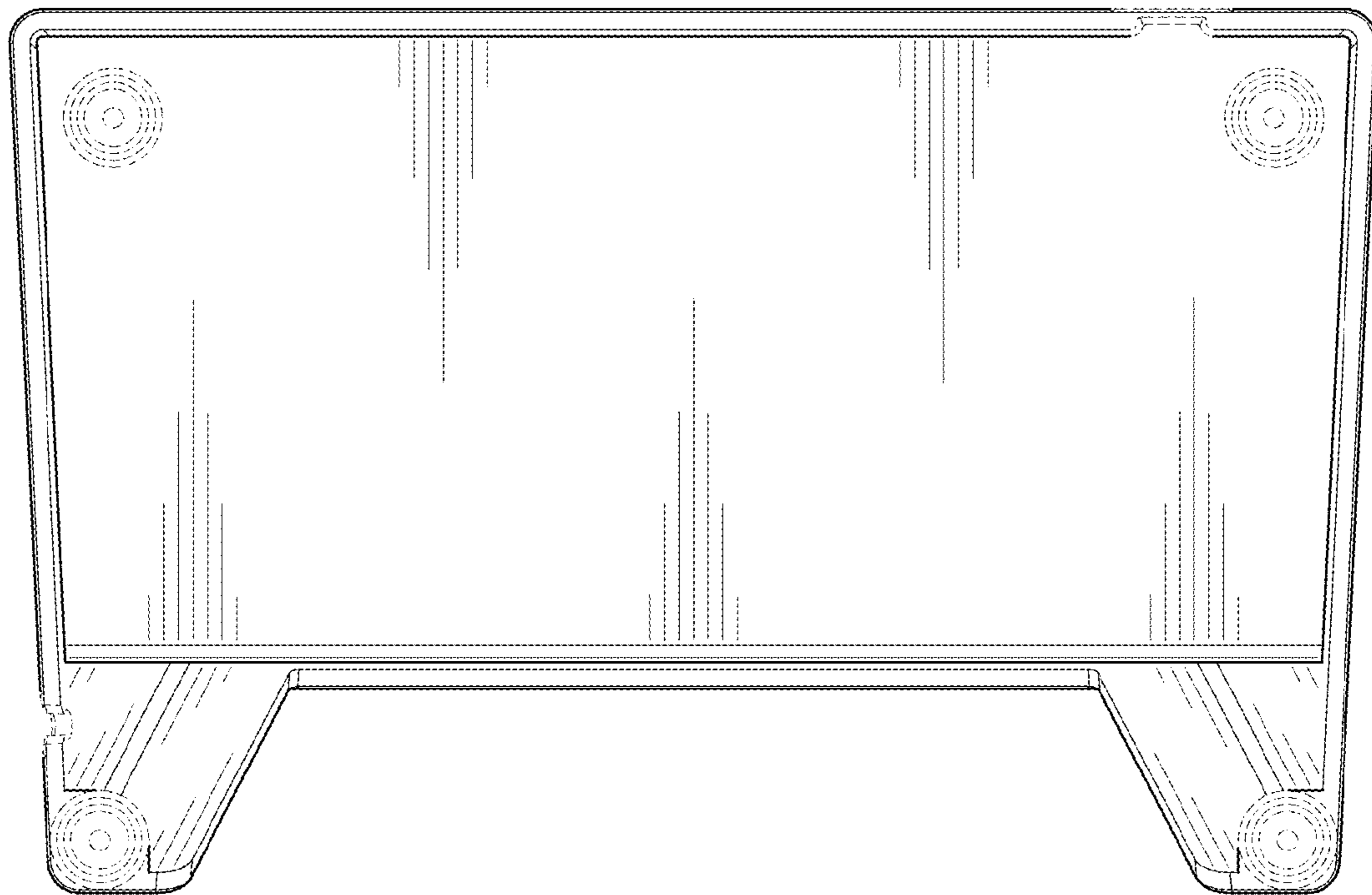


FIG. 7

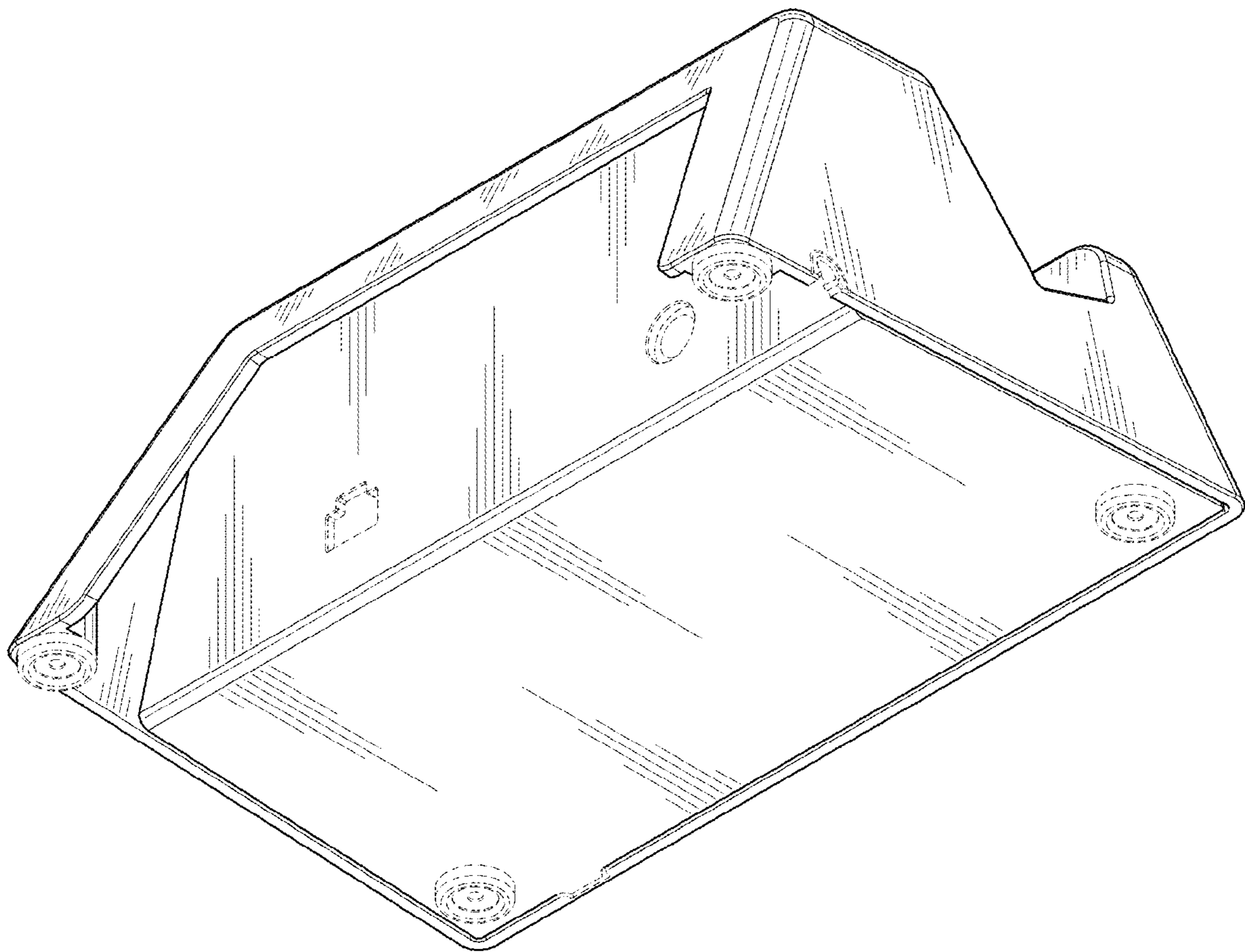


FIG. 8