



US00D924130S

(12) **United States Design Patent**  
**Zhang et al.**

(10) **Patent No.:** **US D924,130 S**  
(45) **Date of Patent:** **\*\* Jul. 6, 2021**

- (54) **HEADPHONE CHARGING CASE**
- (71) Applicant: **SHENZHEN VOXTECH CO., LTD.**,  
Guangdong (CN)
- (72) Inventors: **Haofeng Zhang**, Shenzhen (CN);  
**Chaowu Li**, Shenzhen (CN); **Lei Zhong**,  
Shenzhen (CN); **Xin Yu**, Shenzhen (CN)
- (73) Assignee: **SHENZHEN VOXTECH CO., LTD.**,  
Shenzhen (CN)
- (\*\*) Term: **15 Years**

- (21) Appl. No.: **29/697,185**
- (22) Filed: **Jul. 4, 2019**
- (30) **Foreign Application Priority Data**  
Jan. 5, 2019 (CN) ..... 201930005460.7
- (51) **LOC (13) Cl.** ..... **13-02**
- (52) **U.S. Cl.**  
USPC ..... **D13/108; D3/294**
- (58) **Field of Classification Search**  
USPC ..... D13/103, 107-110, 118-119, 184, 199;  
D3/201, 205, 208, 218, 273, 274, 294  
CPC .. H02J 50/00; H02J 50/10; H02J 50/12; H02J  
50/80; H02J 50/40; H02J 50/402; H02J  
50/50; H02J 7/025; H02J 7/005; H02J  
7/0044; H02J 7/0013; H02J 7/0003;  
A45C 2011/001; A45C 2011/002; A45C  
2011/003  
See application file for complete search history.

- (56) **References Cited**  
**U.S. PATENT DOCUMENTS**  
D552,029 S \* 10/2007 Kingston ..... D13/108  
D553,077 S \* 10/2007 Kim ..... D13/108  
D572,654 S \* 7/2008 Kang ..... D13/107  
D772,572 S \* 11/2016 Palmberg ..... D3/294

- D806,648 S \* 1/2018 Beedham ..... D13/107
- D841,580 S \* 2/2019 Bao ..... D13/108
- D841,581 S \* 2/2019 Bonahoom ..... D13/108
- D864,110 S \* 10/2019 Yoshimura ..... D13/108
- D870,451 S \* 12/2019 Birger ..... D3/201

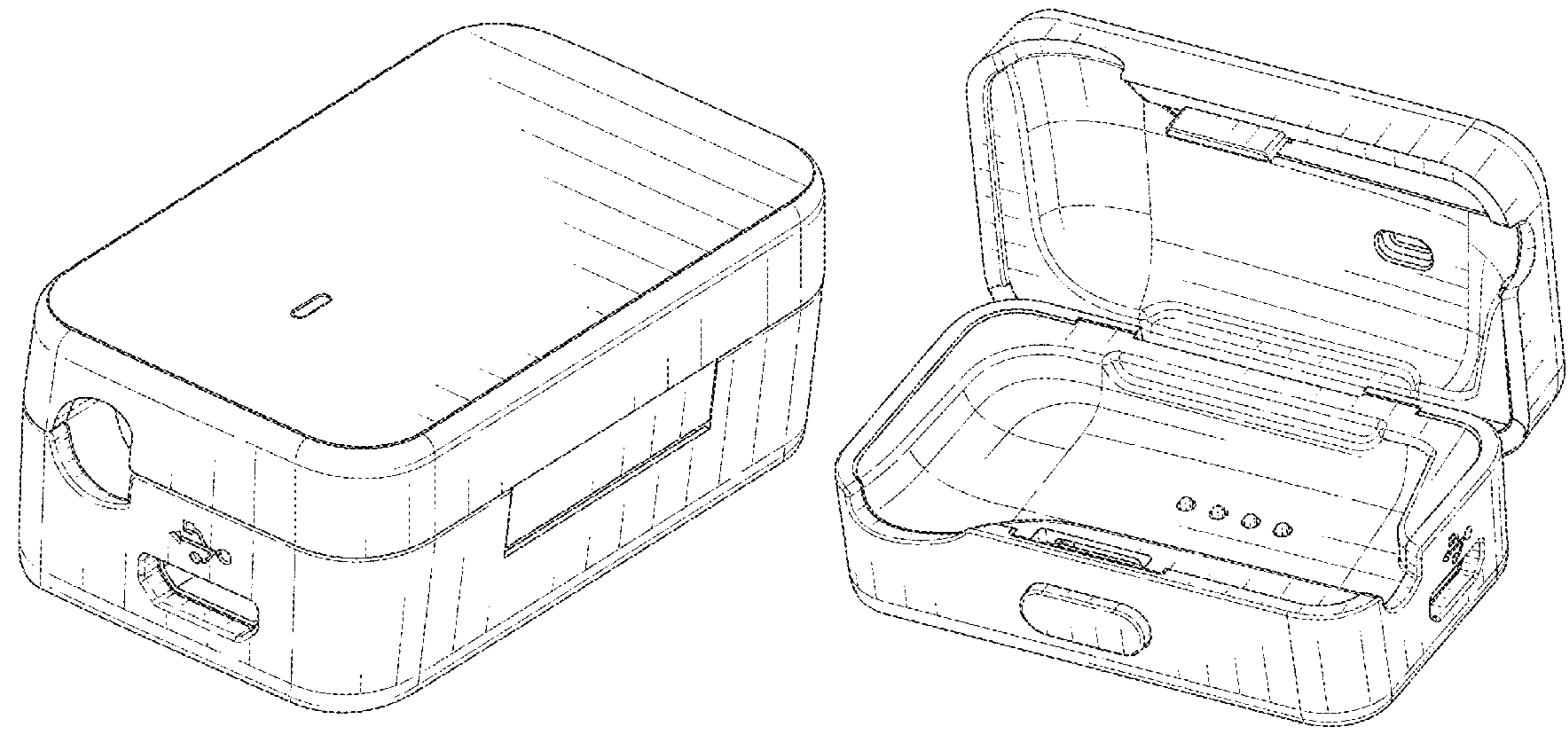
(Continued)  
*Primary Examiner* — Rosemary K Tarcza  
(74) *Attorney, Agent, or Firm* — Metis IP LLC

(57) **CLAIM**  
The ornamental design for a headphone charging case, as shown and described.

**DESCRIPTION**

FIG. 1 is a top perspective view of a headphone charging case in a closed state according to our new design; FIG. 2 is a bottom perspective view thereof; FIG. 3 is a front view thereof; FIG. 4 is a rear view thereof; FIG. 5 is a left side view thereof; FIG. 6 is a right side view thereof; FIG. 7 is a top view thereof; FIG. 8 is a bottom view thereof; FIG. 9 is a top perspective view of the headphone charging case in an open state; FIG. 10 is another top perspective view thereof; FIG. 11 is a front view thereof; FIG. 12 is a rear view thereof; FIG. 13 is a left side view thereof; FIG. 14 is a right side view thereof; FIG. 15 is a top view thereof; FIG. 16 is a bottom view thereof; FIG. 17 is another top perspective view thereof; and, FIG. 18 is an additional perspective view thereof. The shade lines in the Figures show contour and not surface ornamentation. The broken lines illustrate either portions of the headphone charging case or environmental structure that form no part of the claimed design.

**1 Claim, 9 Drawing Sheets**



(56)

**References Cited**

U.S. PATENT DOCUMENTS

D878,048 S *	3/2020	Wang .....	D3/294
D886,455 S *	6/2020	Williamson .....	D3/294
D887,351 S *	6/2020	Bonahoom .....	D13/108
D890,696 S *	7/2020	Sweet .....	D13/108
D894,123 S *	8/2020	Xiong .....	D13/108
D902,589 S *	11/2020	Li .....	D3/295

\* cited by examiner

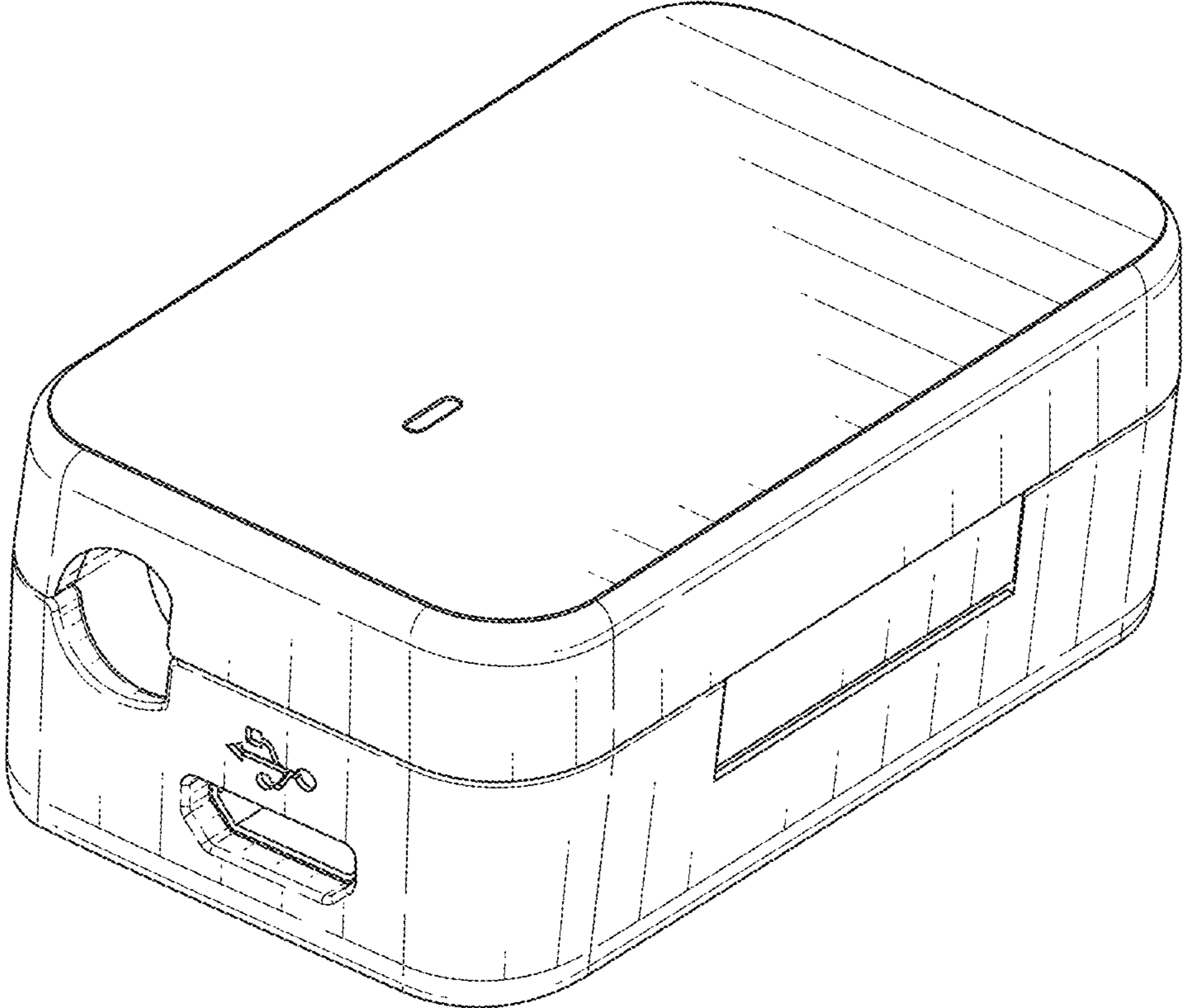


FIG. 1

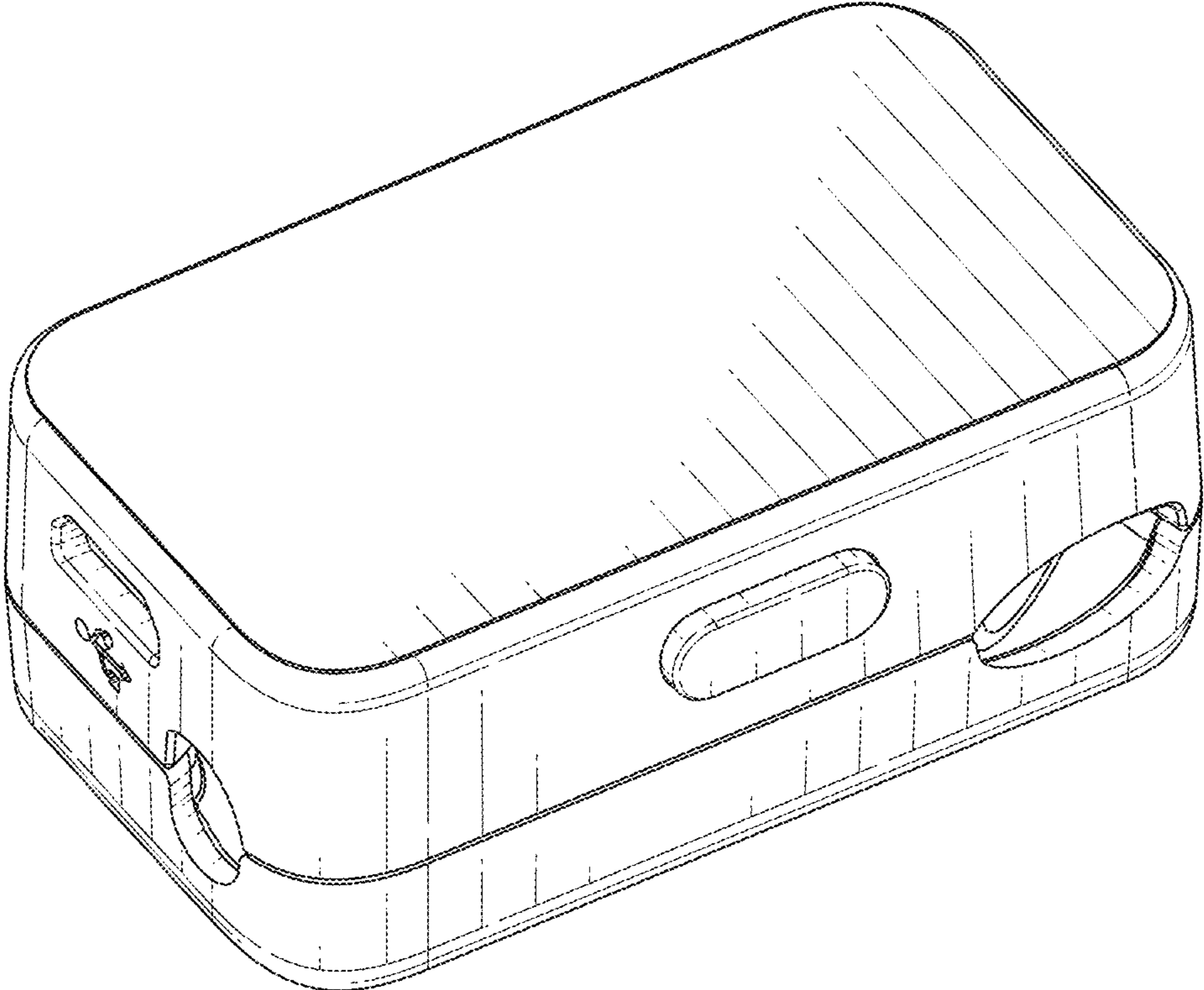


FIG. 2

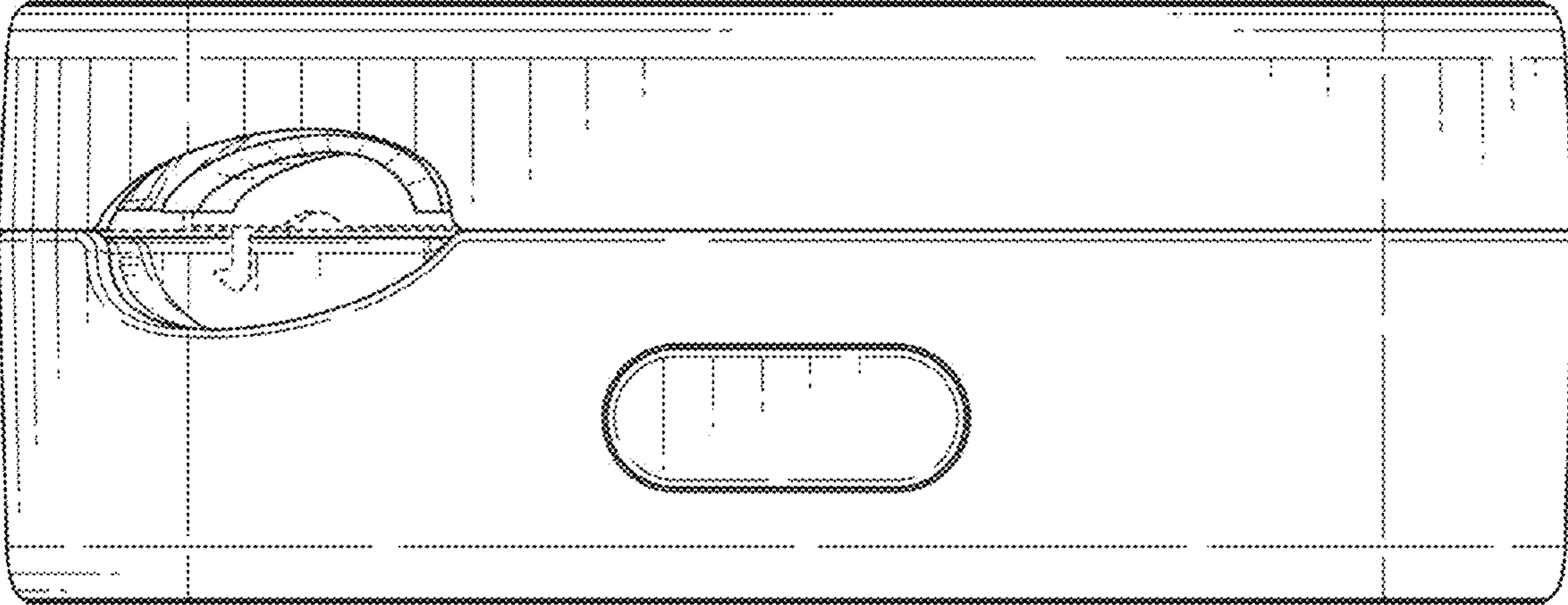


FIG. 3

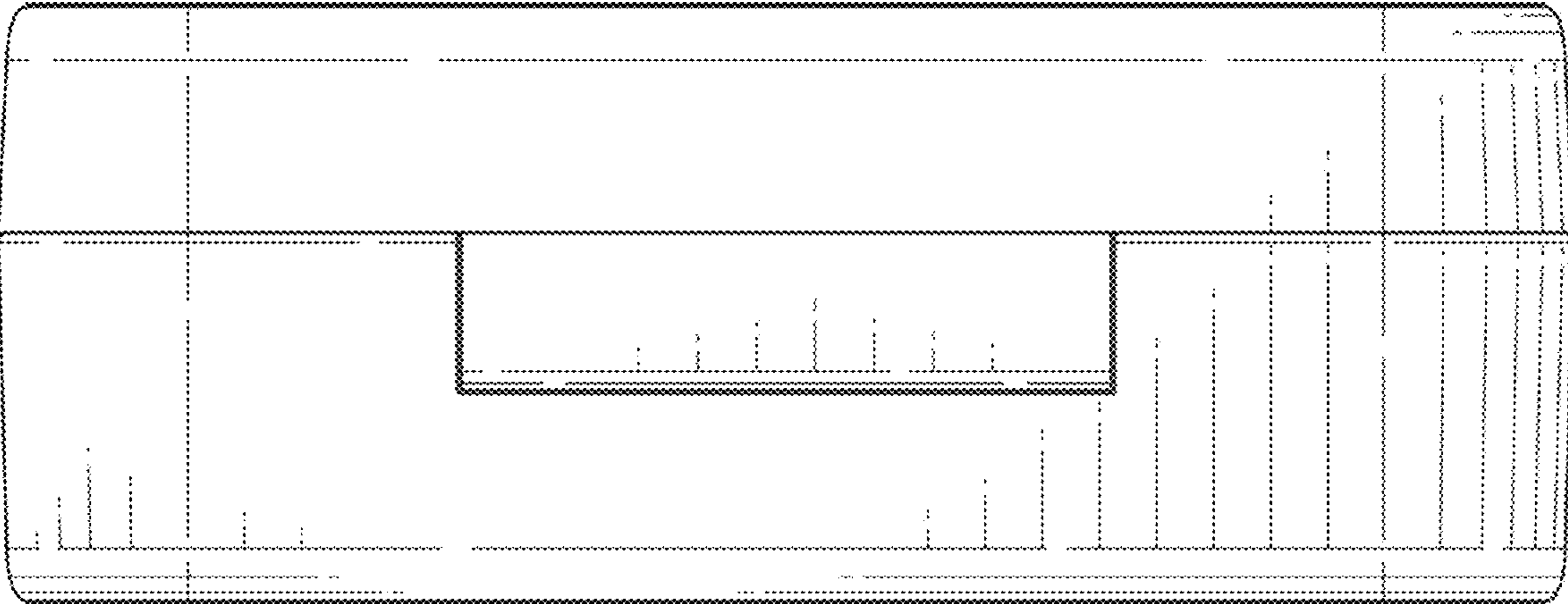


FIG. 4

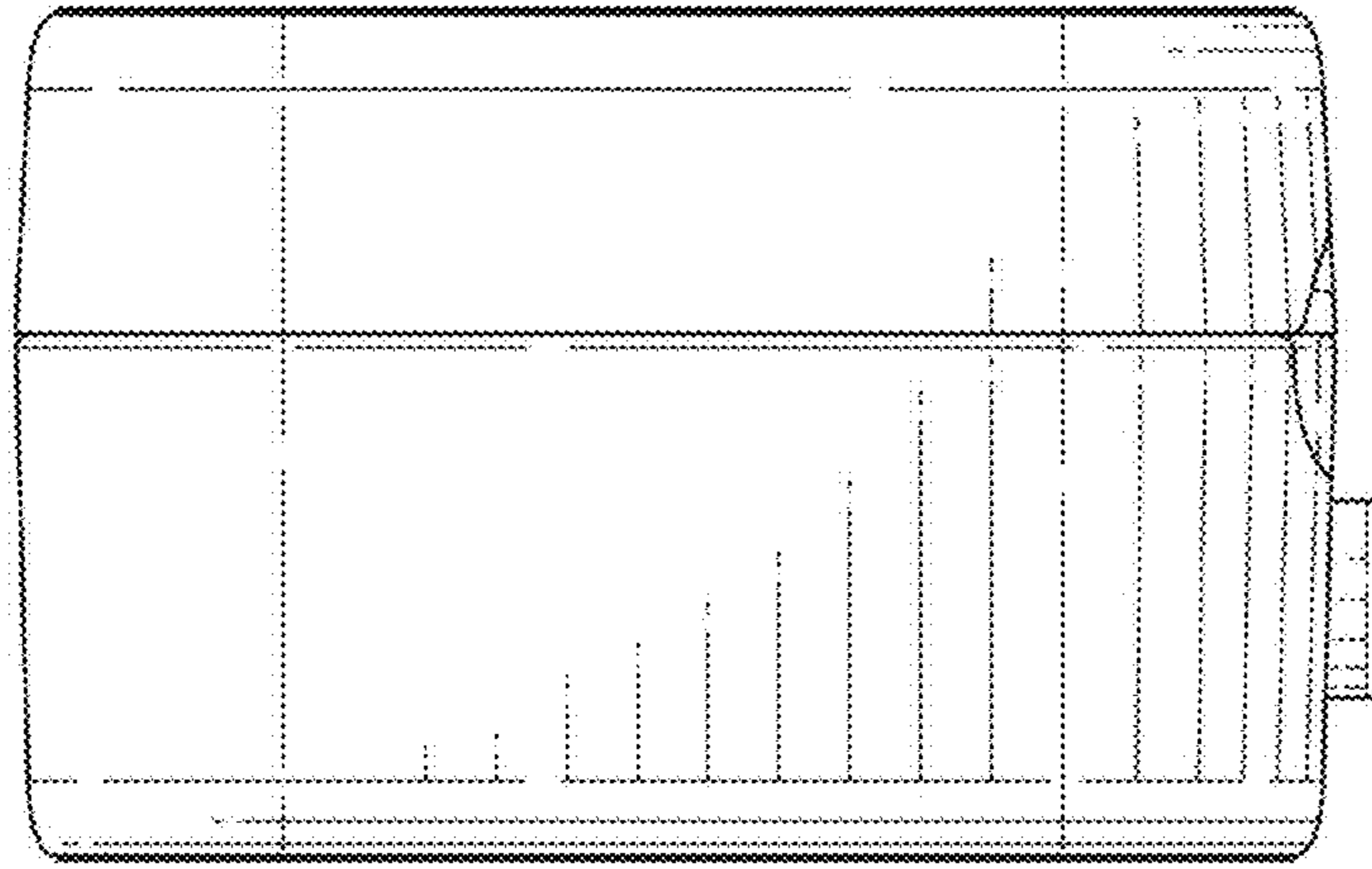


FIG. 5

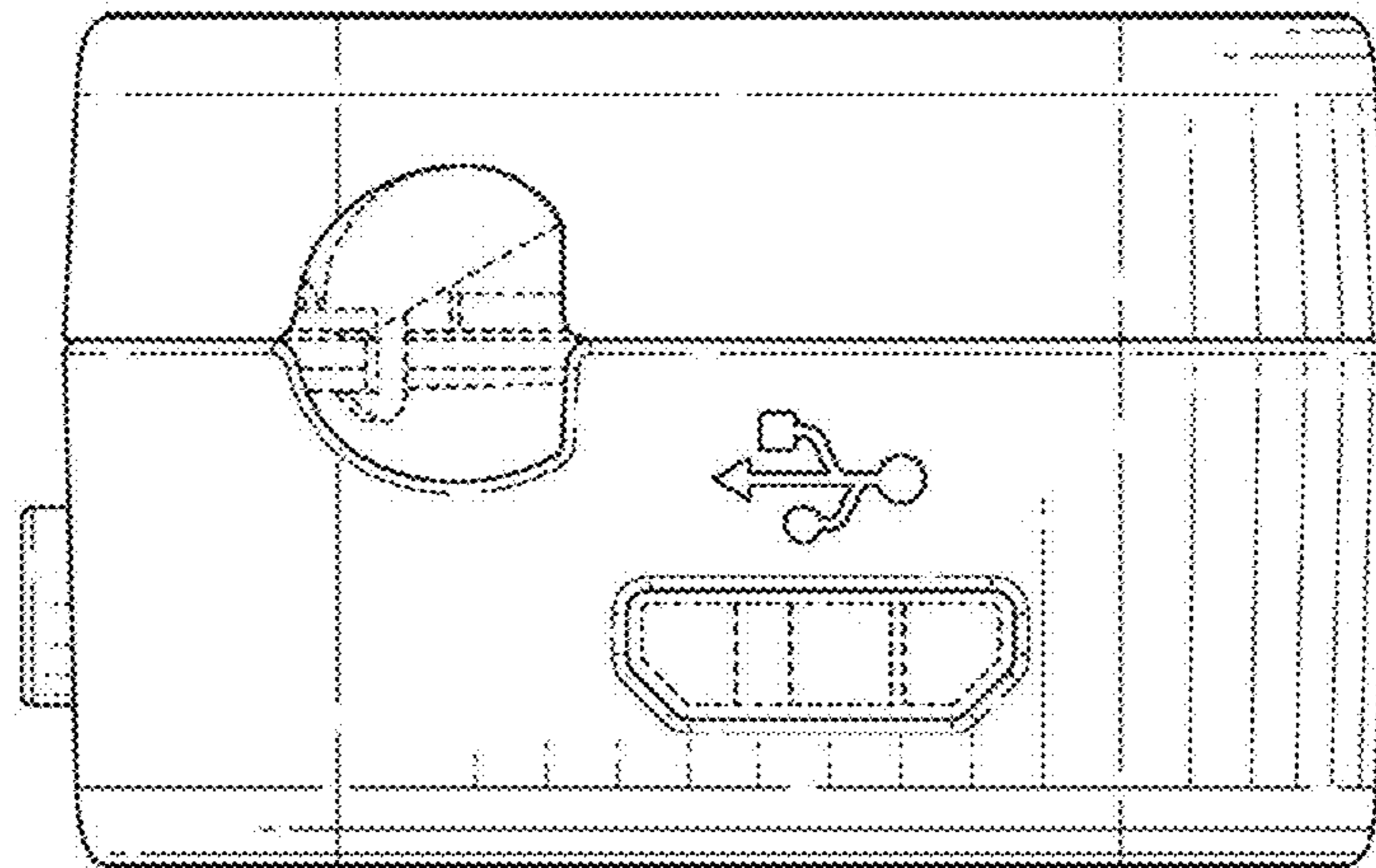


FIG. 6

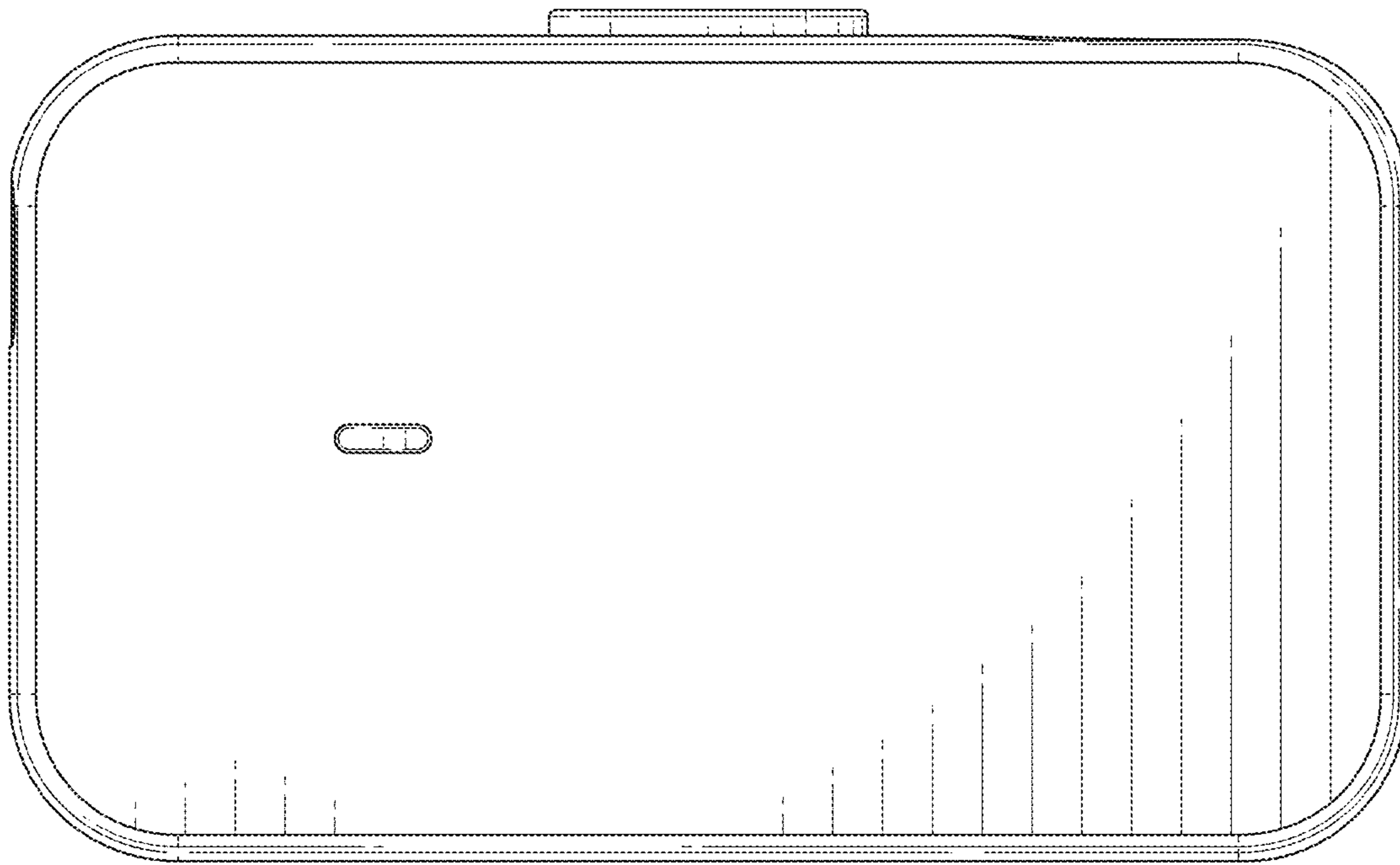


FIG. 7

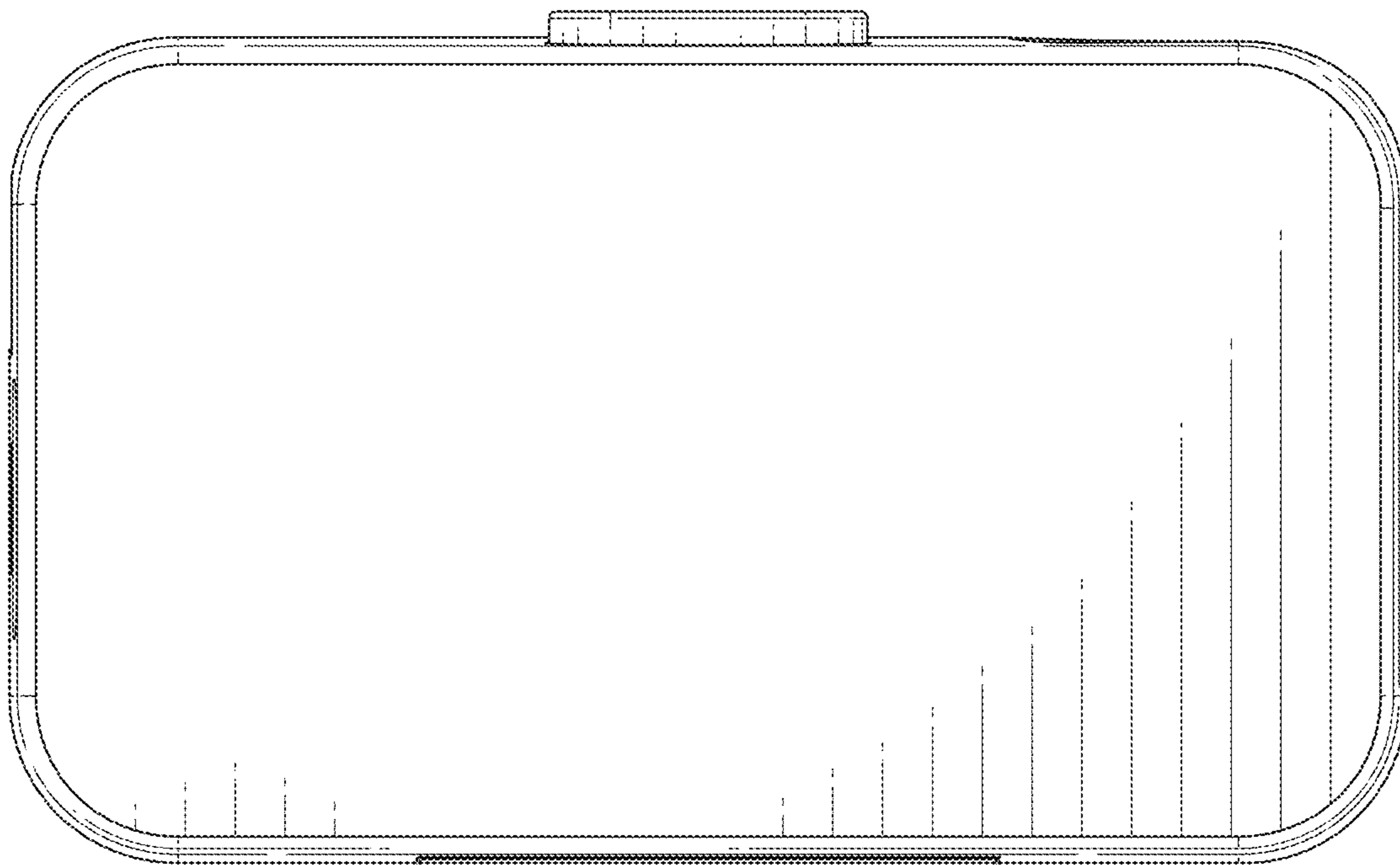


FIG. 8

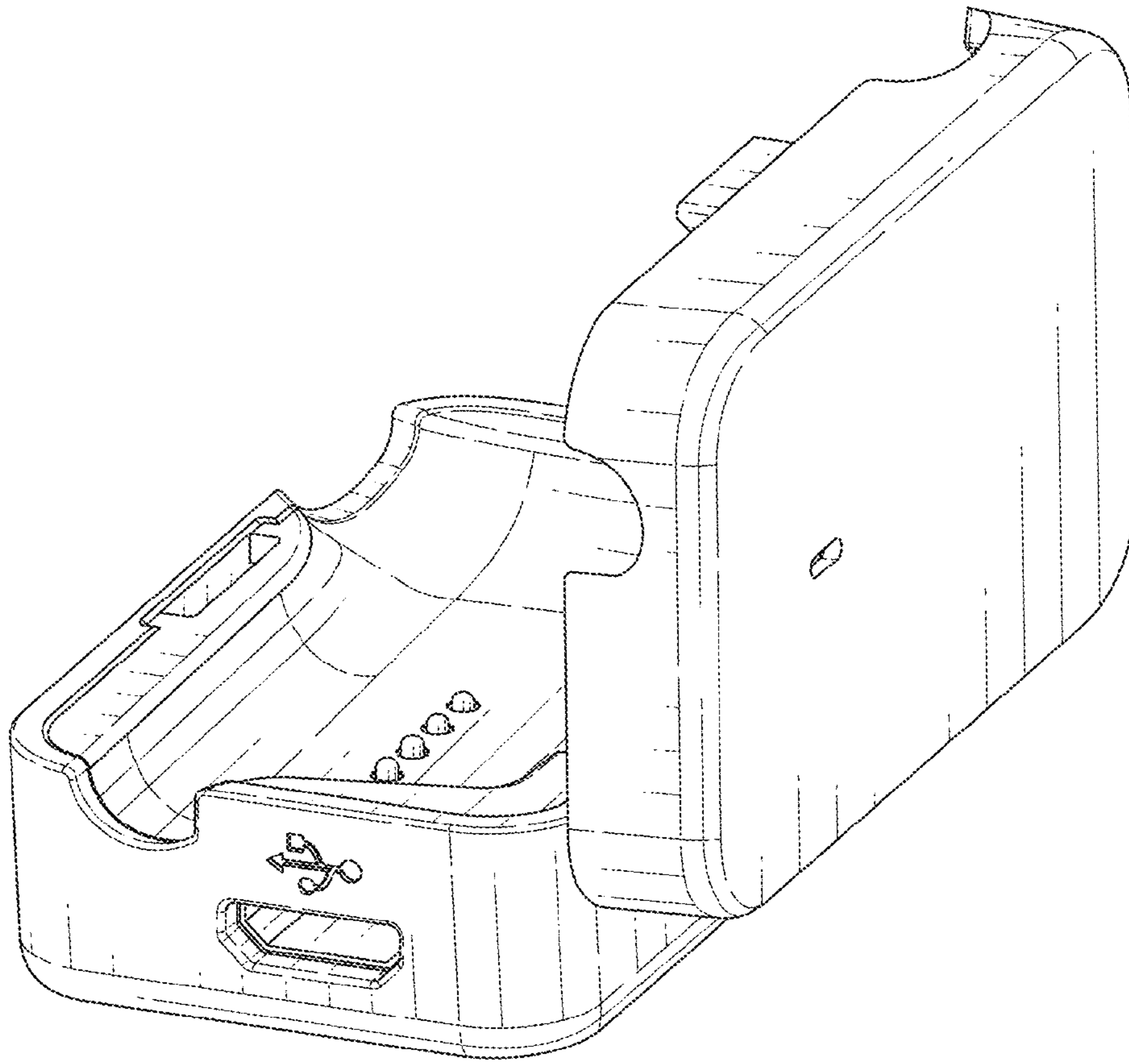


FIG. 9



FIG. 10

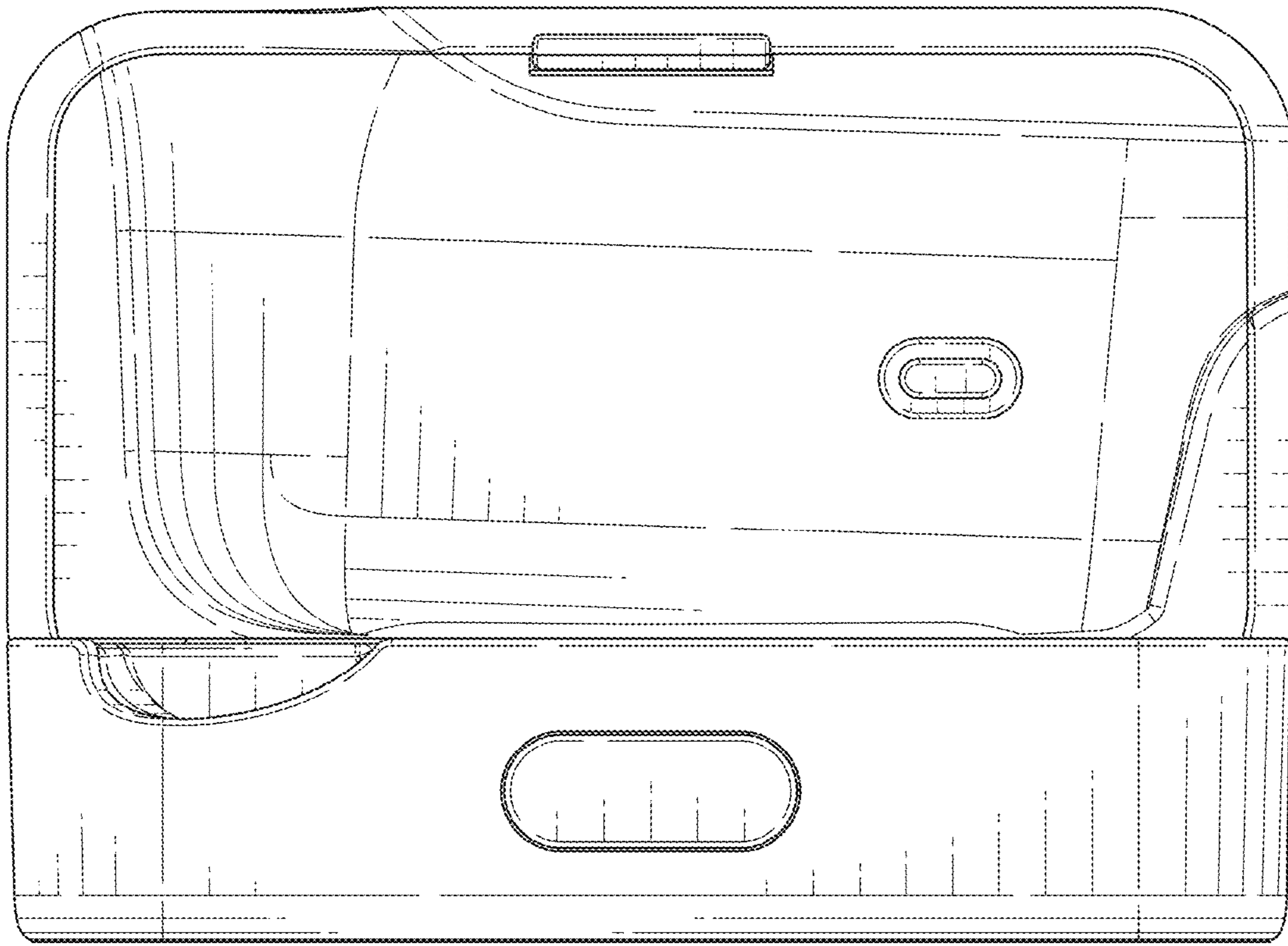


FIG. 11

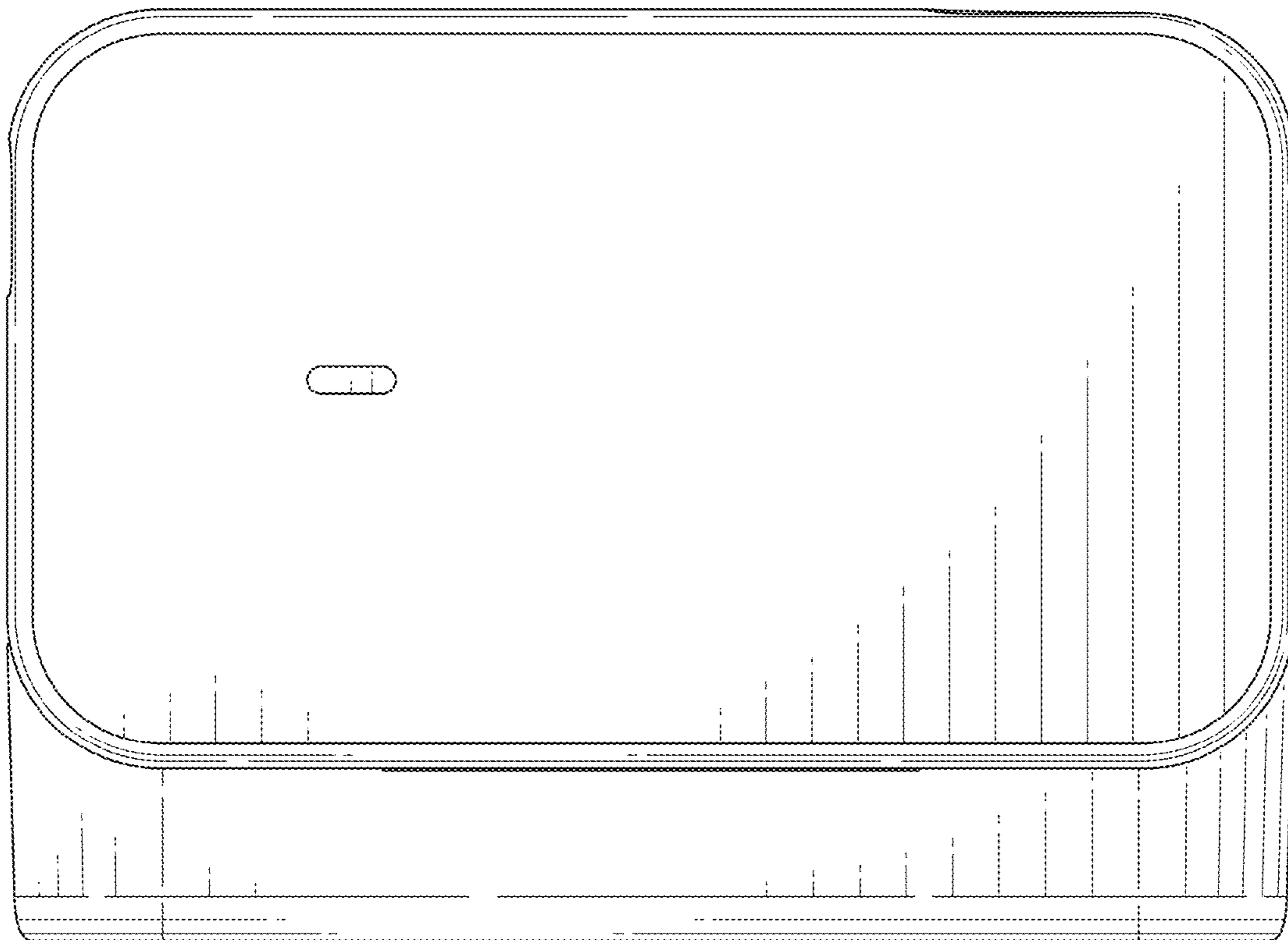


FIG. 12



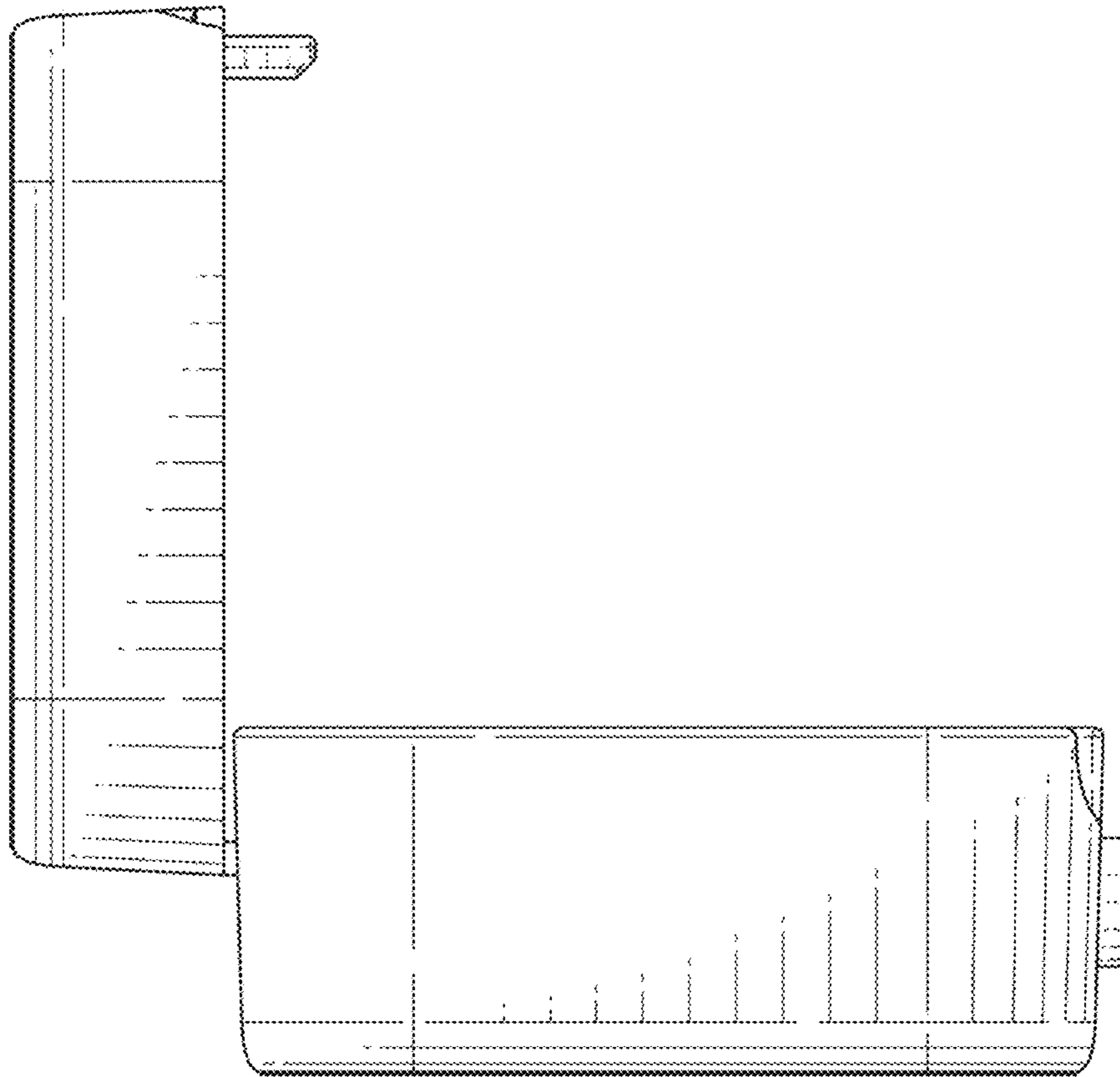


FIG. 13

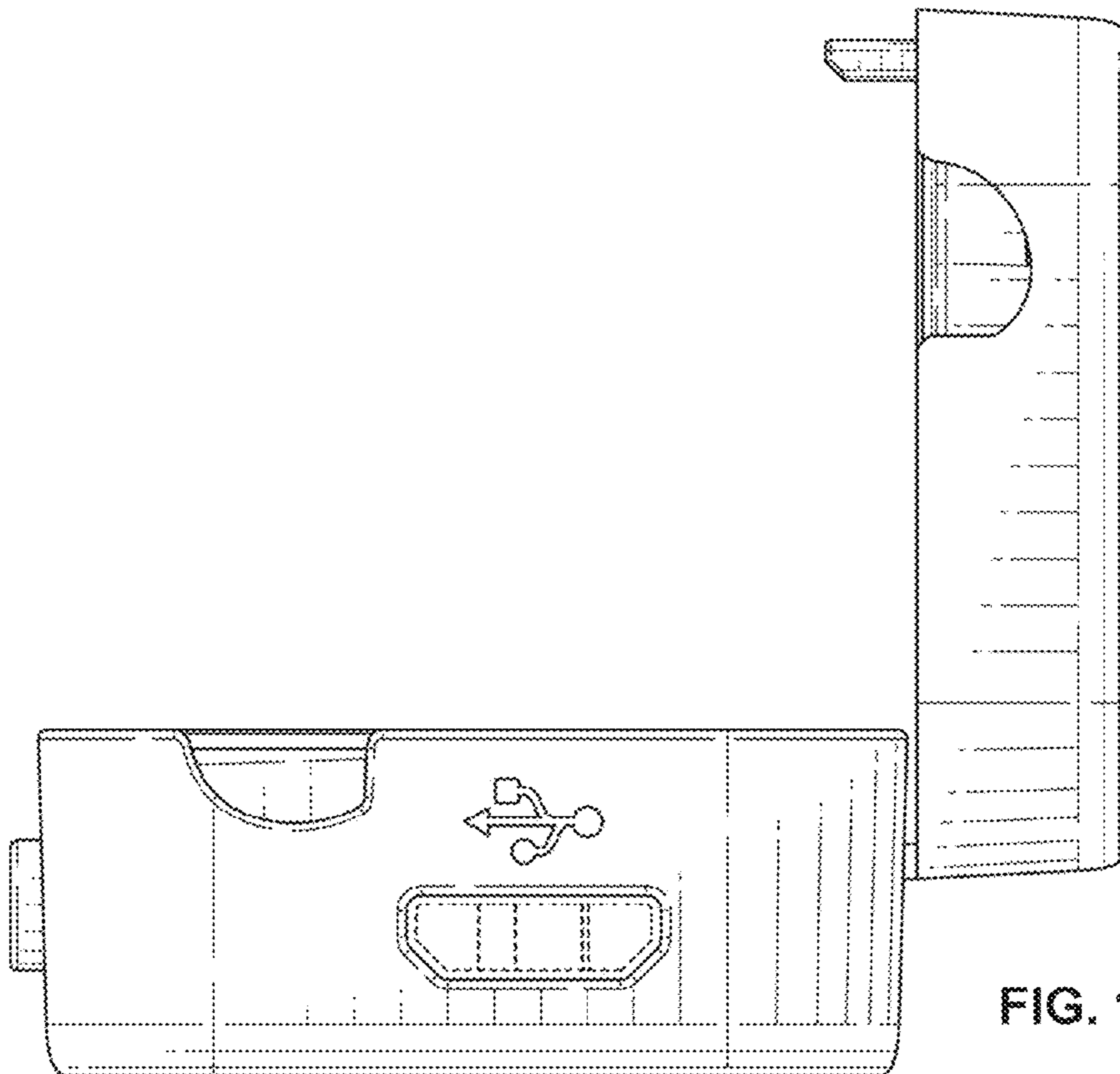


FIG. 14

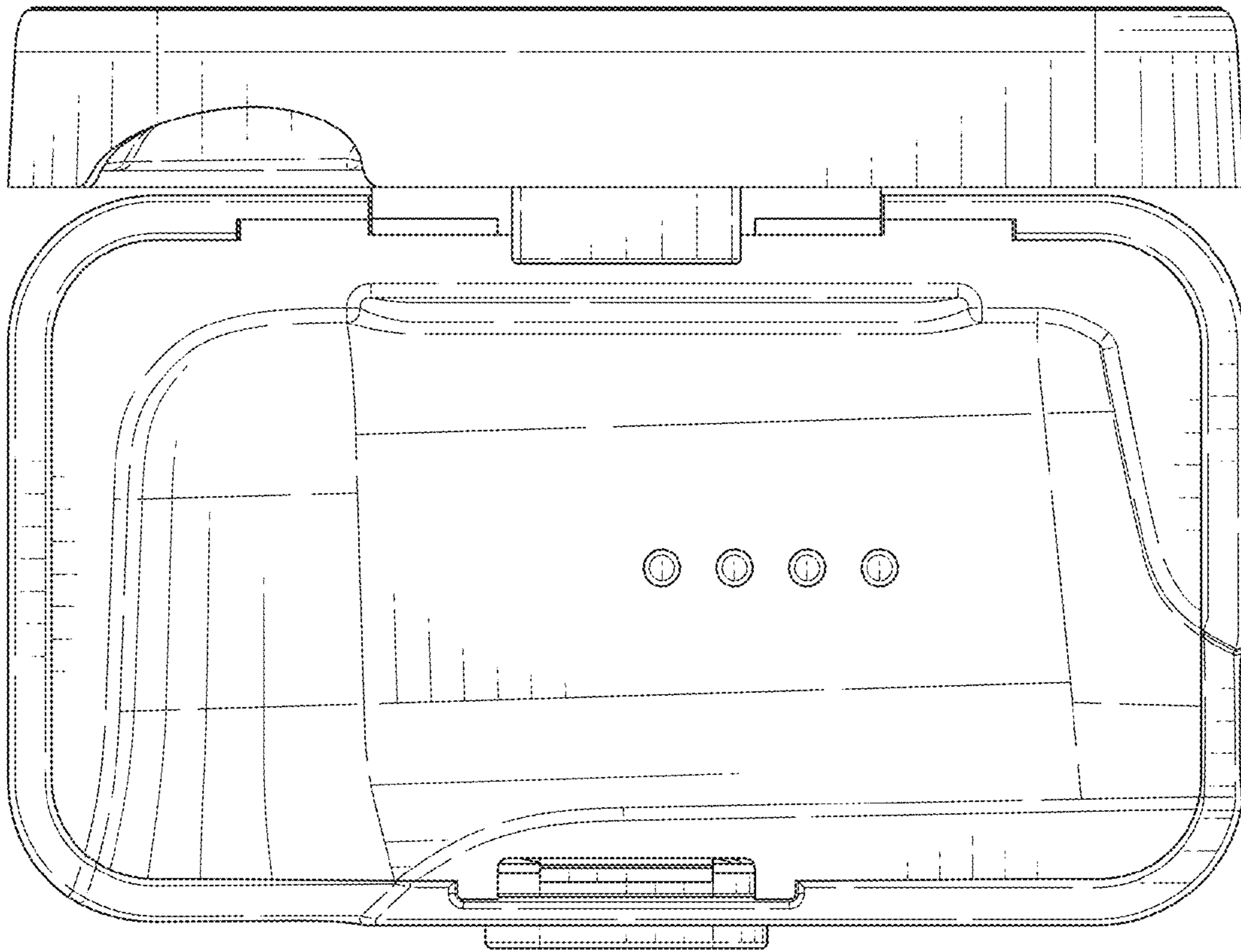


FIG. 15

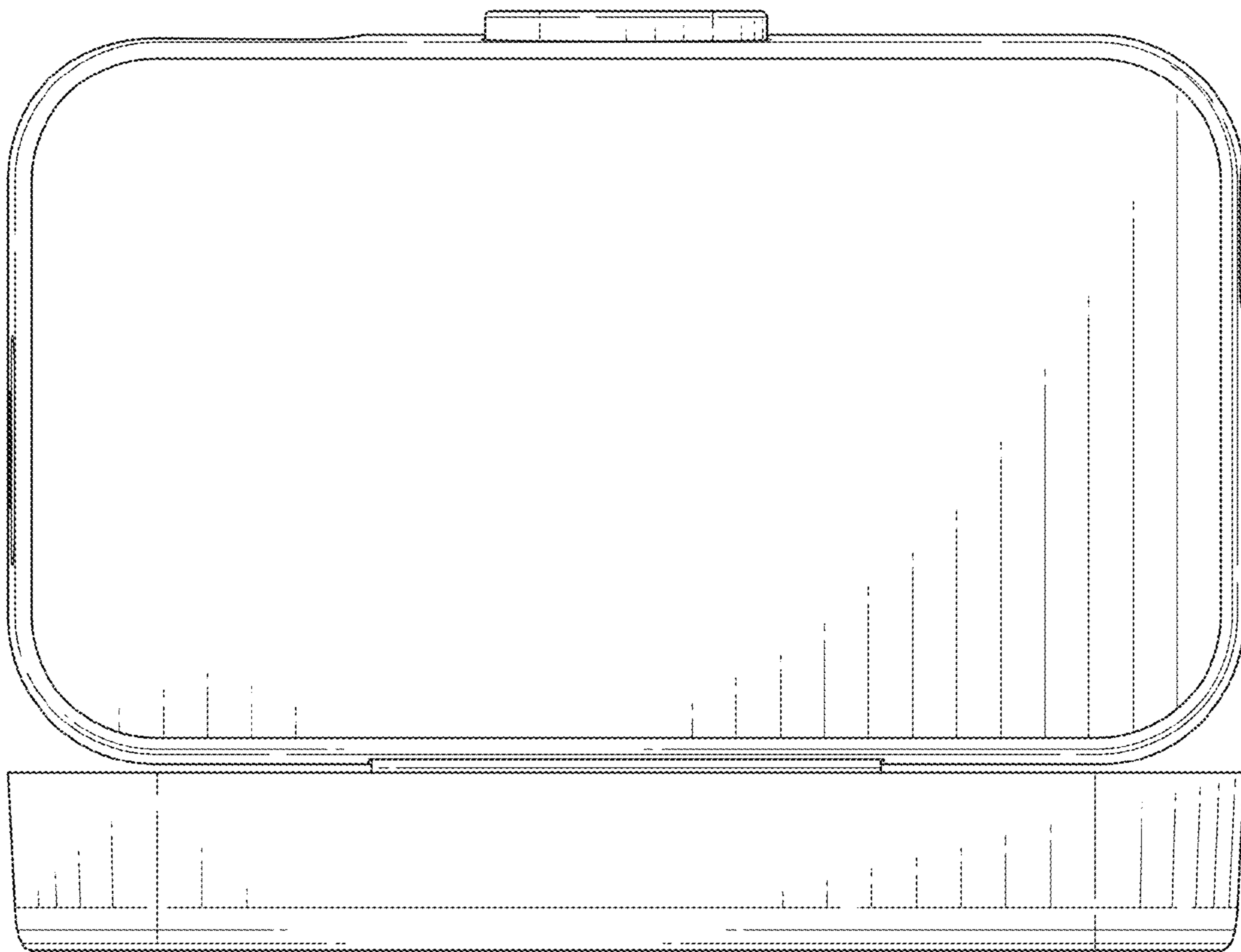


FIG. 16

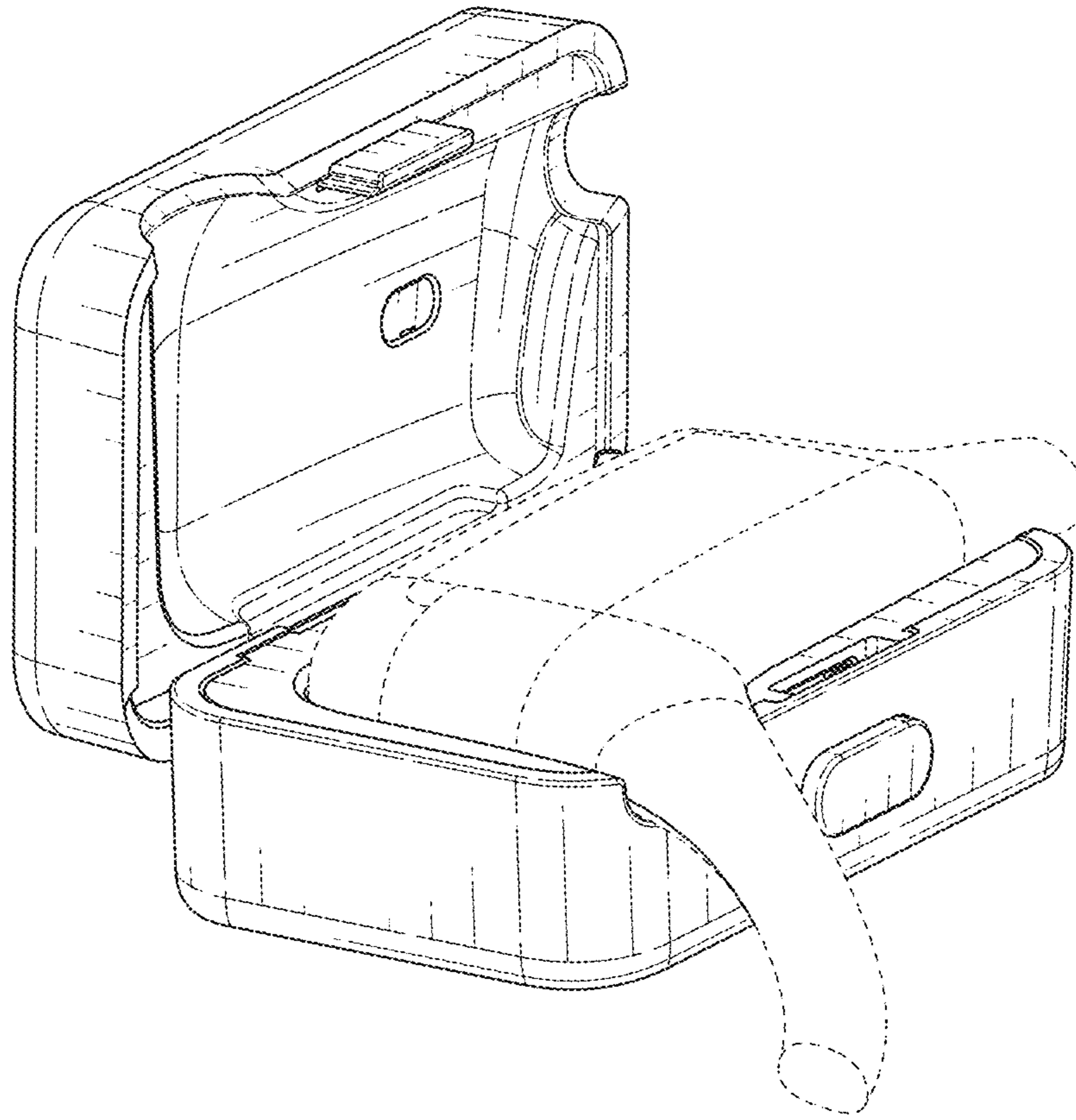


FIG. 17

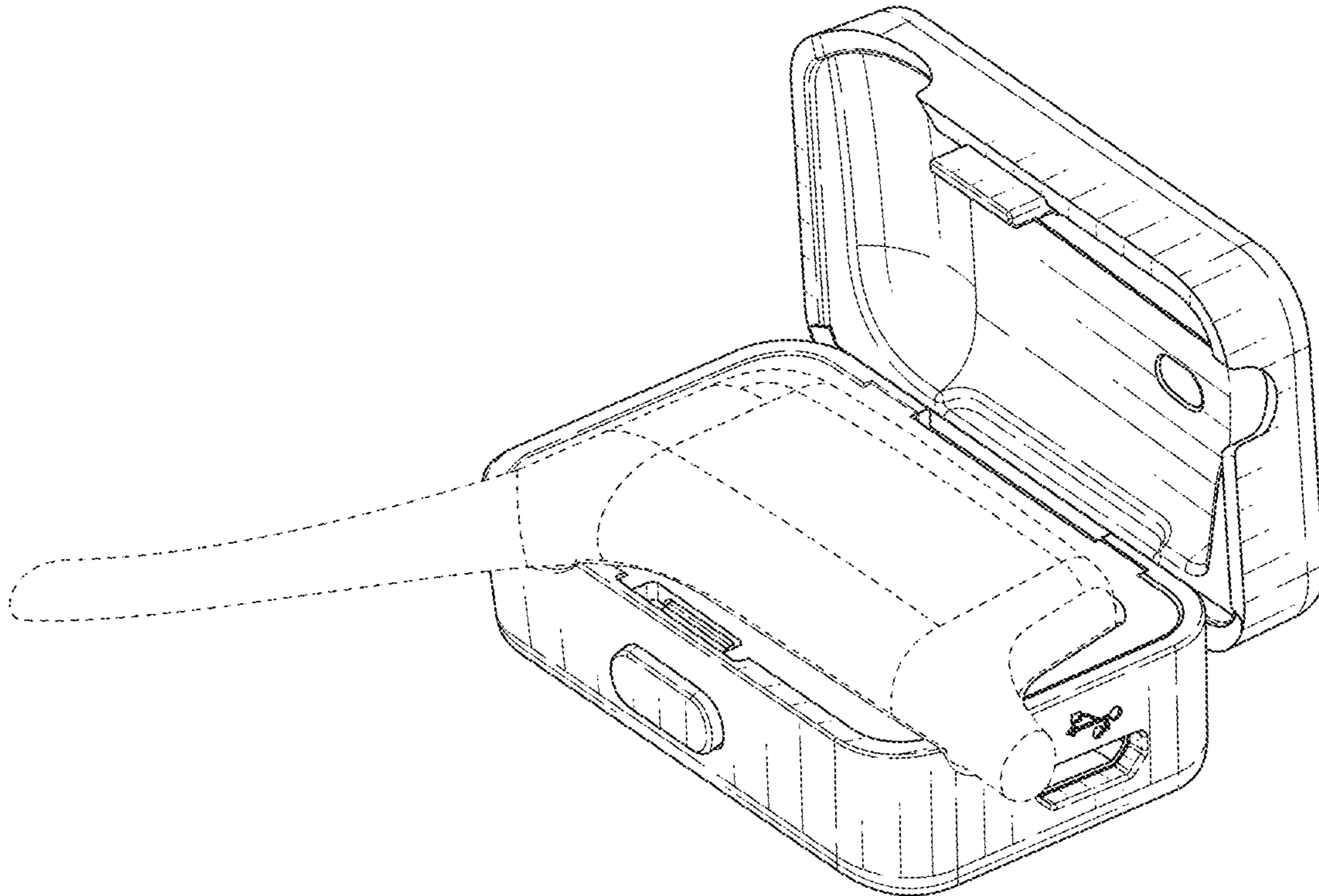


FIG. 18