



US00D924121S

(12) **United States Design Patent**  
**Chaklos et al.**

(10) **Patent No.:** **US D924,121 S**

(45) **Date of Patent:** **\*\* Jul. 6, 2021**

(54) **CAR TENT**

(71) Applicants: **Mike Chaklos**, Irvine, CA (US); **Paul Chaklos**, Irvine, CA (US)

(72) Inventors: **Mike Chaklos**, Irvine, CA (US); **Paul Chaklos**, Irvine, CA (US)

(\*\*) Term: **15 Years**

(21) Appl. No.: **29/680,966**

(22) Filed: **Feb. 21, 2019**

(51) **LOC (13) Cl.** ..... **12-16**

(52) **U.S. Cl.**  
USPC ..... **D12/404**

(58) **Field of Classification Search**  
USPC ..... D12/401-405, 182-193  
CPC ..... A47D 15/00; A47C 7/66; A47C 31/00;  
A47G 9/068

See application file for complete search history.

(56) **References Cited**

**U.S. PATENT DOCUMENTS**

2,870,774	A *	1/1959	Blosser	.....	E04H 15/06 135/88.14
3,040,756	A *	6/1962	Zerbe	.....	E04H 15/06 135/88.14
3,375,836	A *	4/1968	Domeneghetti	.....	E04H 15/06 135/88.18
4,058,133	A *	11/1977	Barr	.....	B60P 3/38 135/88.17
D461,759	S *	8/2002	Napieraj	.....	D12/404
D542,730	S *	5/2007	Schultz	.....	D12/404

D583,747	S *	12/2008	Napieraj	.....	D12/403
10,077,574	B1 *	9/2018	Currid	.....	B60R 9/045
D865,642	S *	11/2019	Davidson	.....	B62D 39/00 D12/404
D879,231	S *	3/2020	Zhu	.....	D21/834
2002/0135204	A1 *	9/2002	Okamoto	.....	B60P 3/341 296/165
2005/0087220	A1 *	4/2005	Christensen	.....	E04H 15/06 135/88.16
2016/0138293	A1 *	5/2016	Zhou	.....	E04H 15/06 135/88.14

\* cited by examiner

*Primary Examiner* — Katrina A Betton

(74) *Attorney, Agent, or Firm* — Clement Cheng

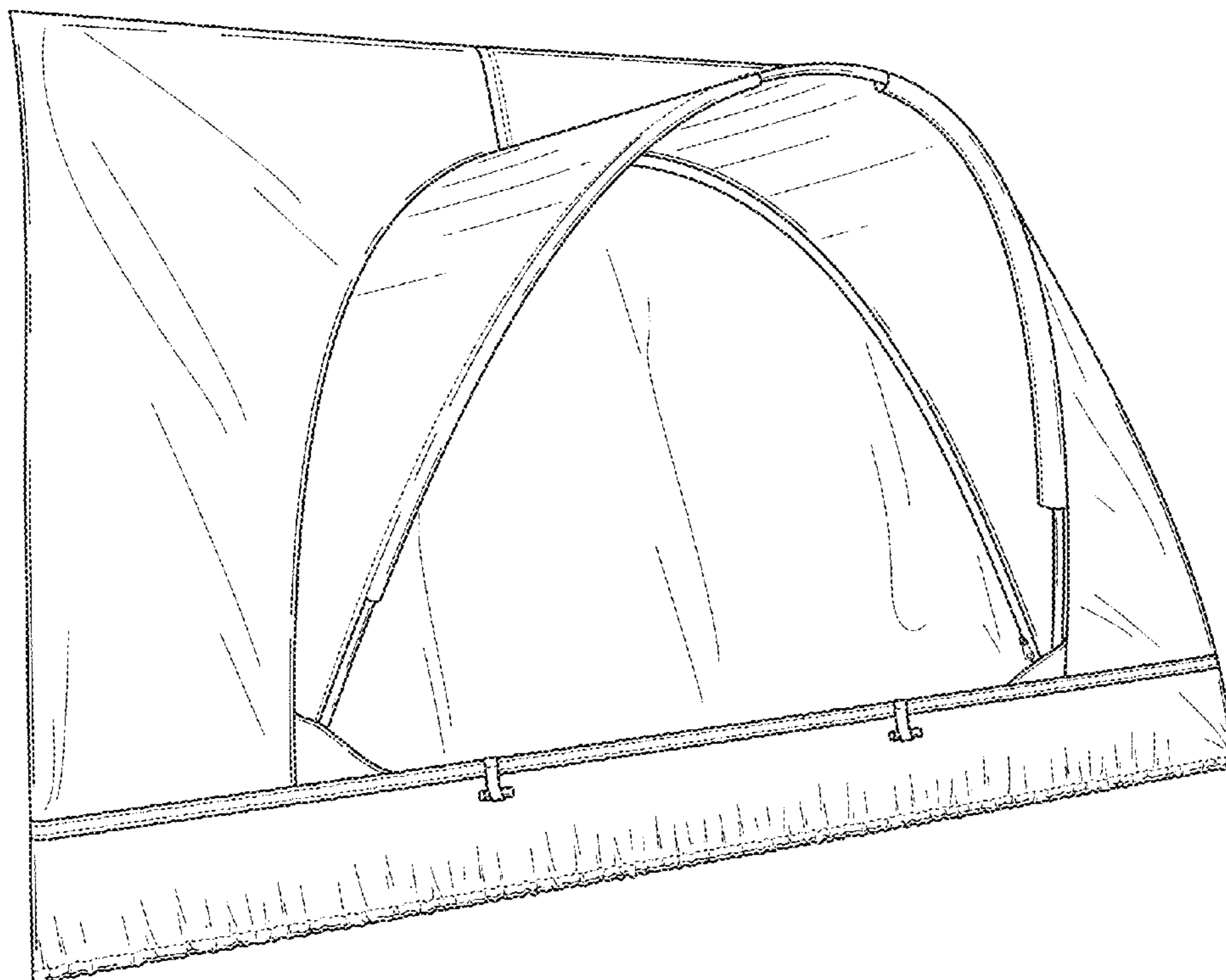
(57) **CLAIM**

The ornamental design for a car tent, as shown and described.

**DESCRIPTION**

FIG. 1 is a perspective view.  
 FIG. 2 is a front view.  
 FIG. 3 is a back view.  
 FIG. 4 is a right side view.  
 FIG. 5 is a left side view.  
 FIG. 6 is a top view.  
 FIG. 7 is a bottom view.  
 FIG. 8 is a perspective view in open configuration; and,  
 FIG. 9 is a perspective environmental view showing the car tent attached to a car side window.  
 The dotted line disclosure forms no part of the claimed invention.

**1 Claim, 7 Drawing Sheets**



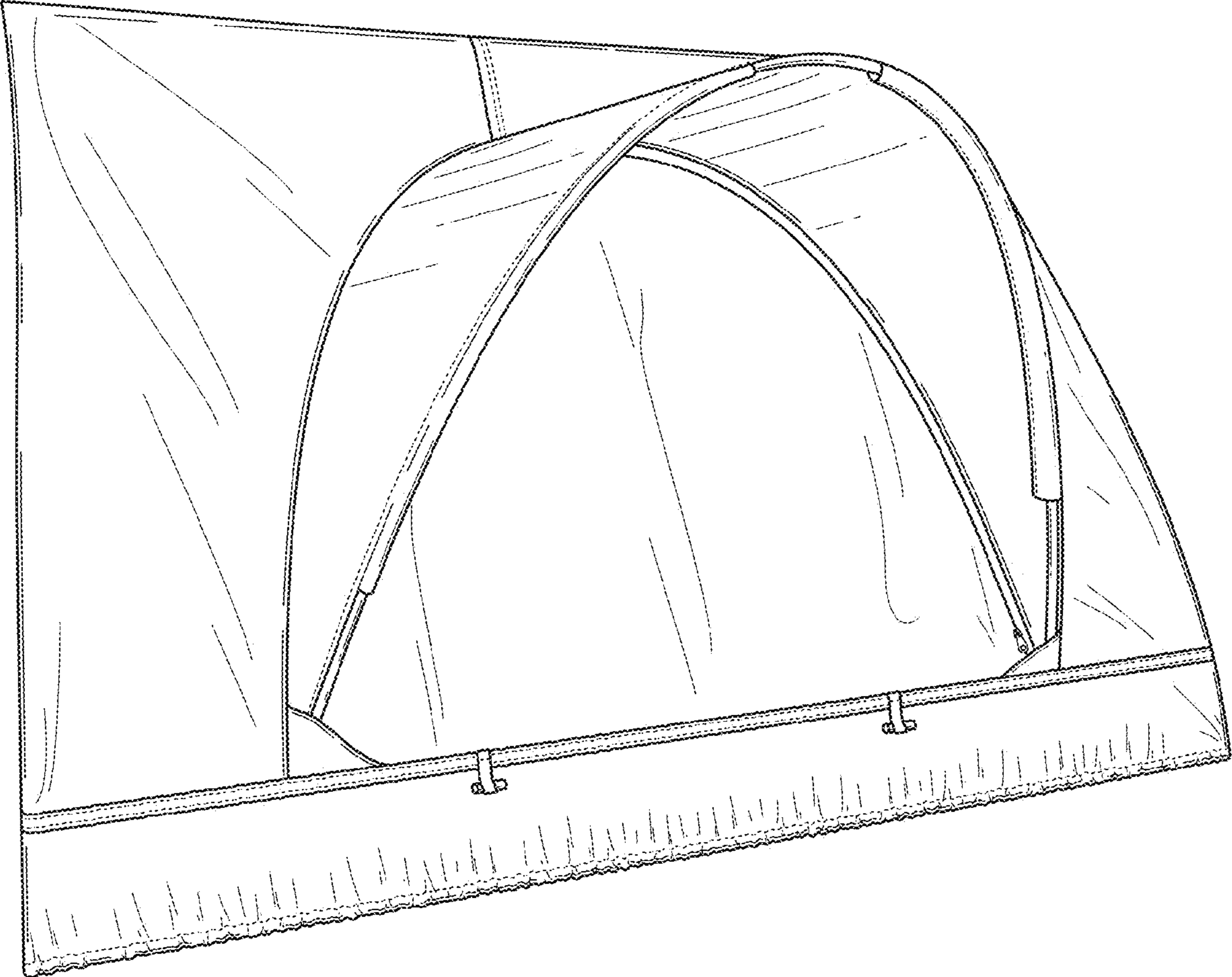


FIG. 1

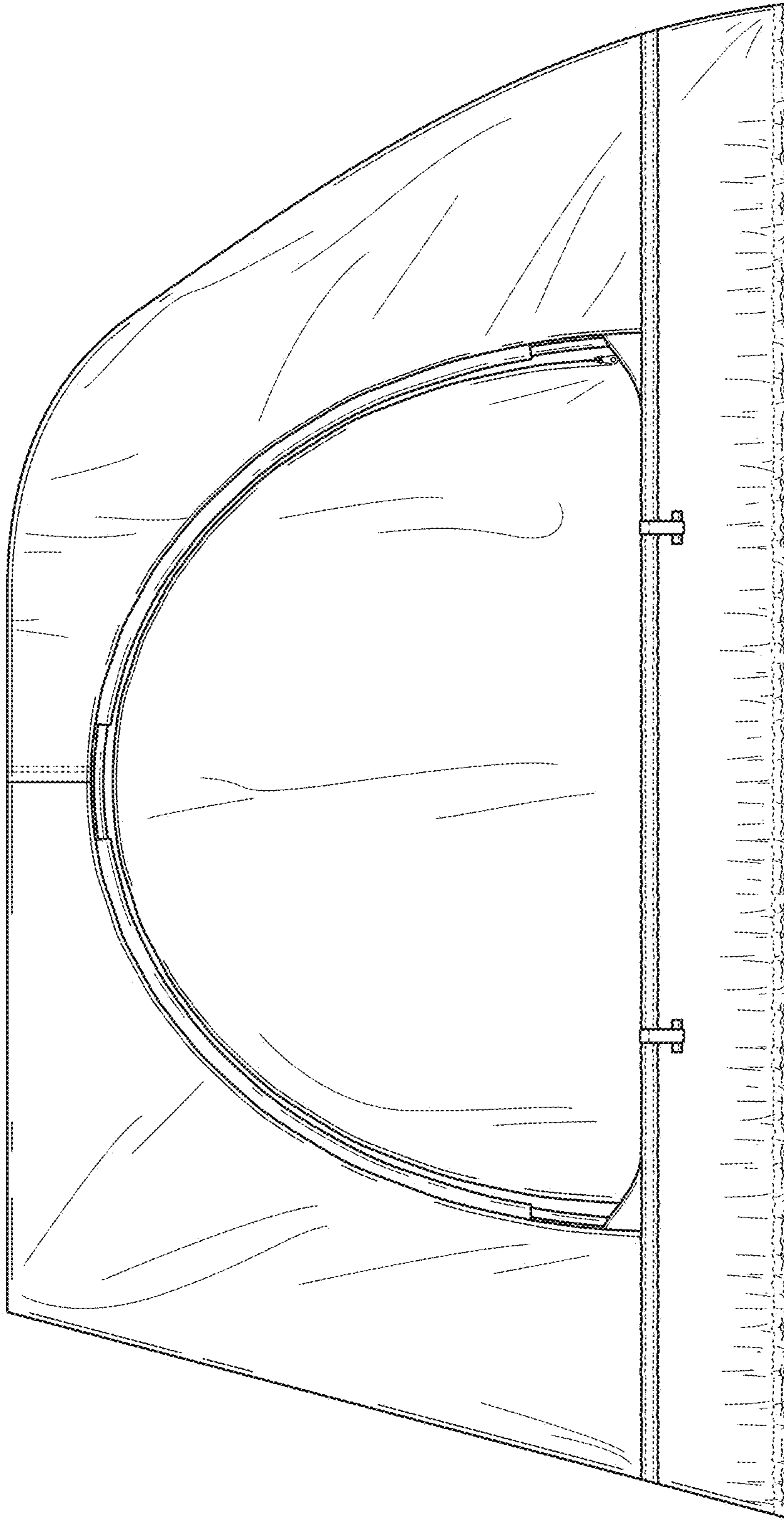


FIG. 2

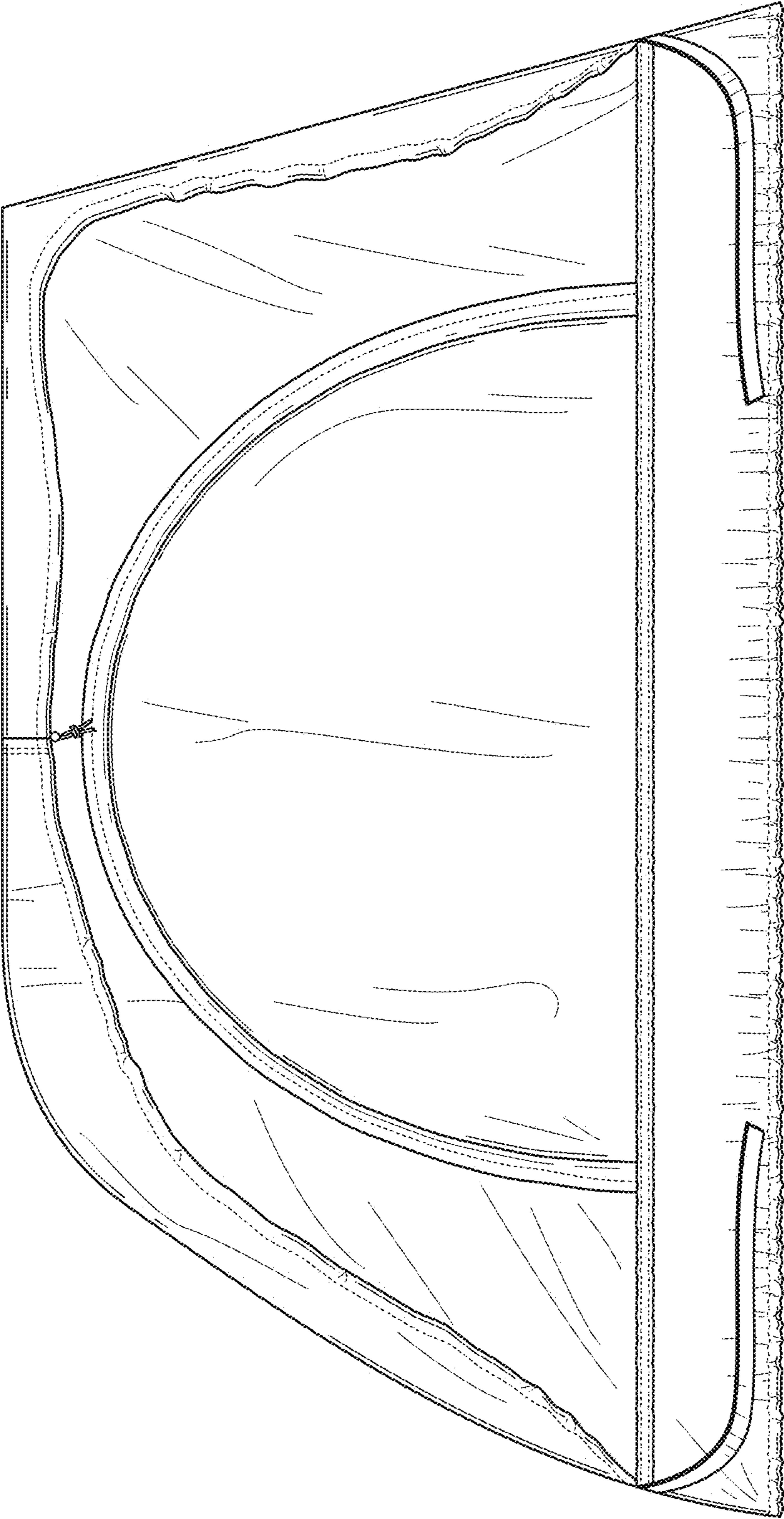


FIG. 3

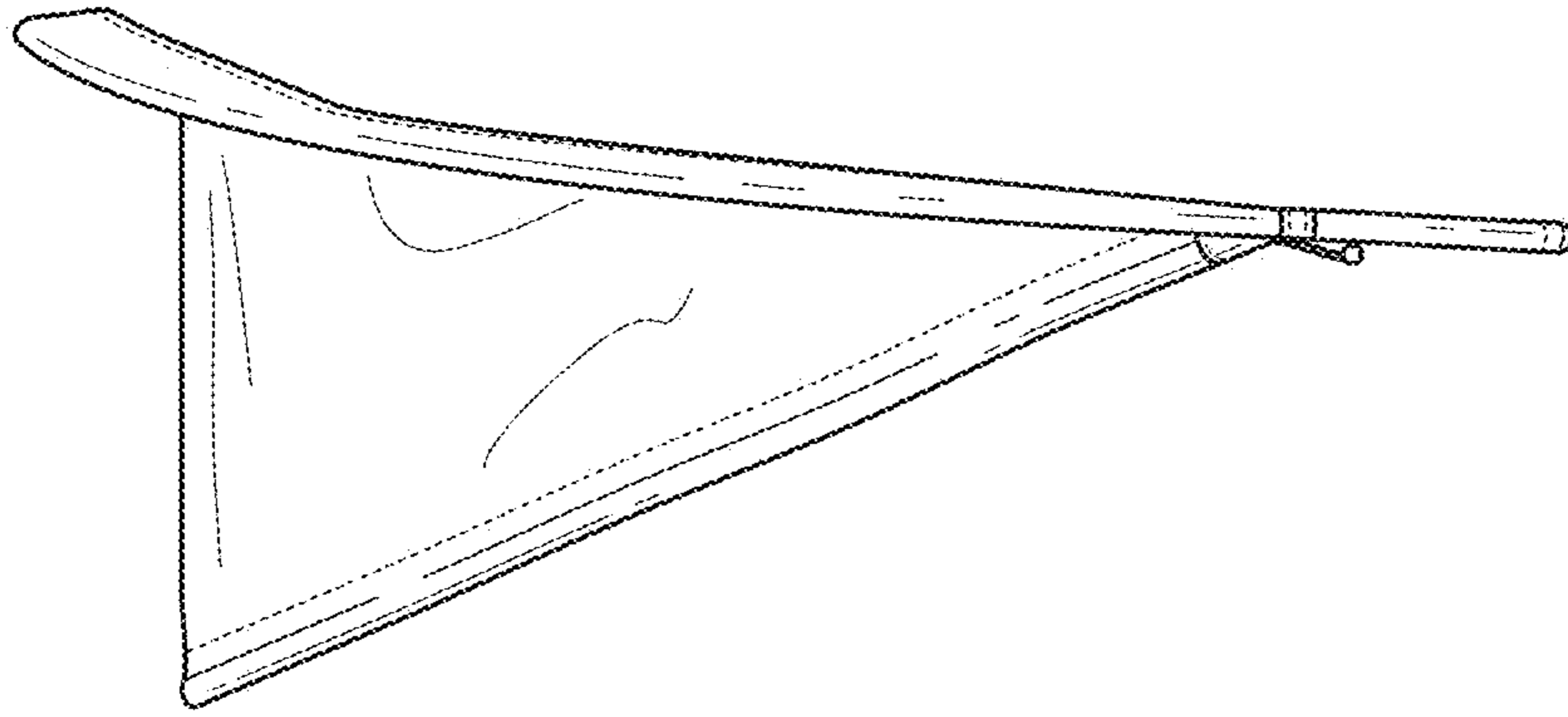


FIG. 5

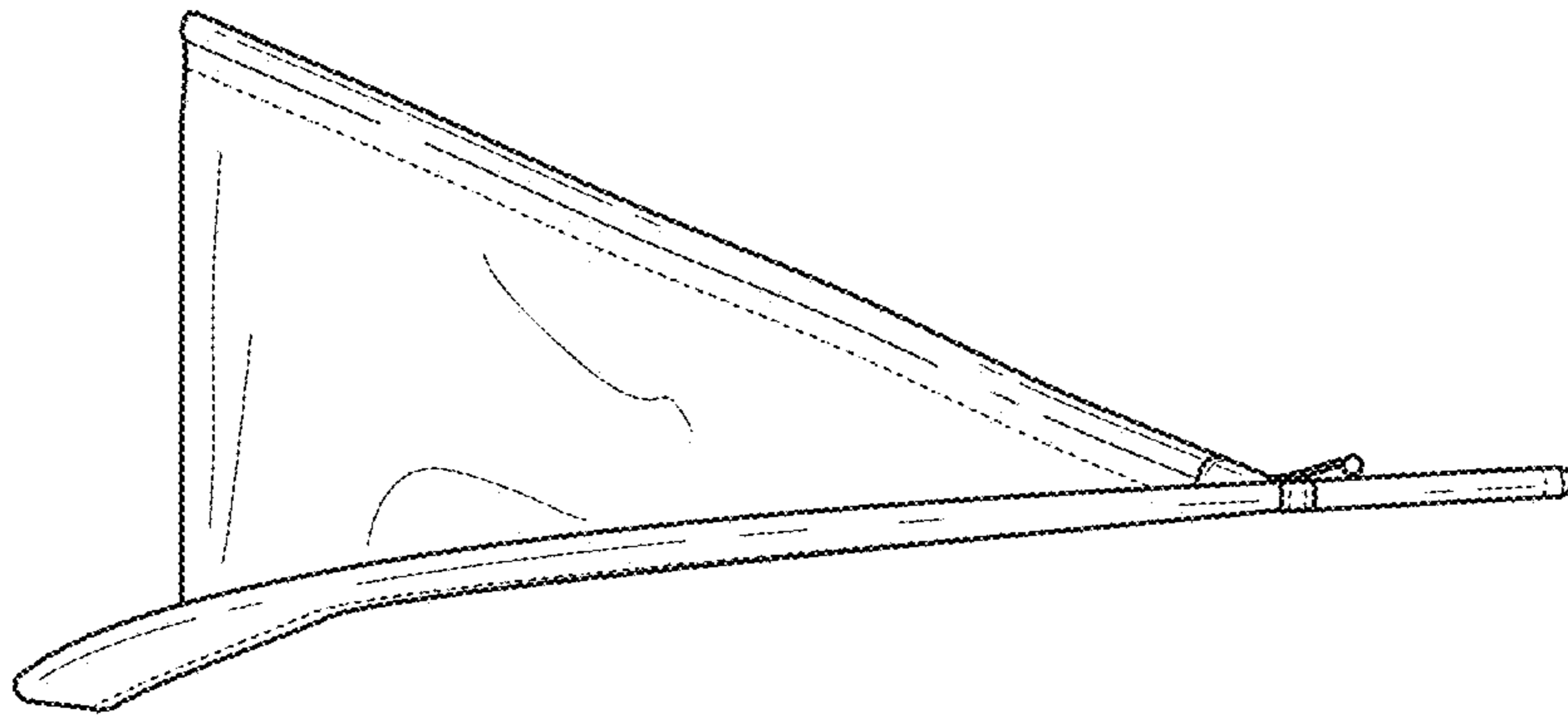


FIG. 4

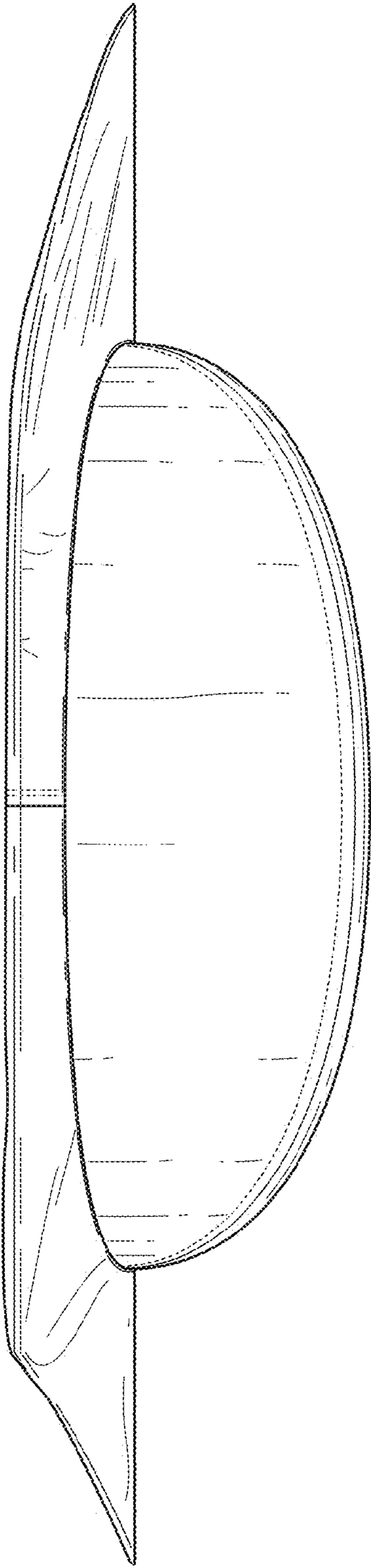


FIG. 6

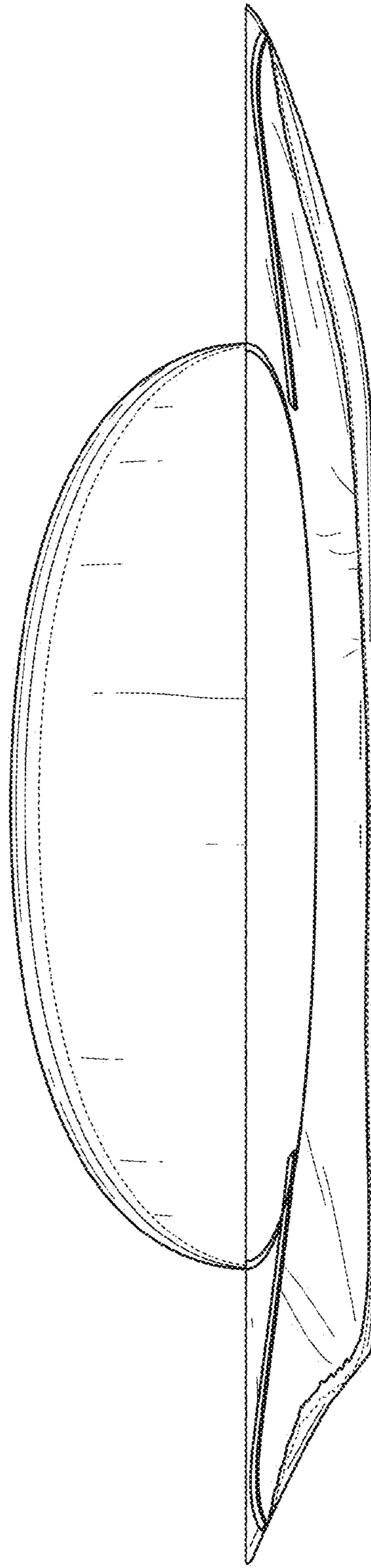


FIG. 7

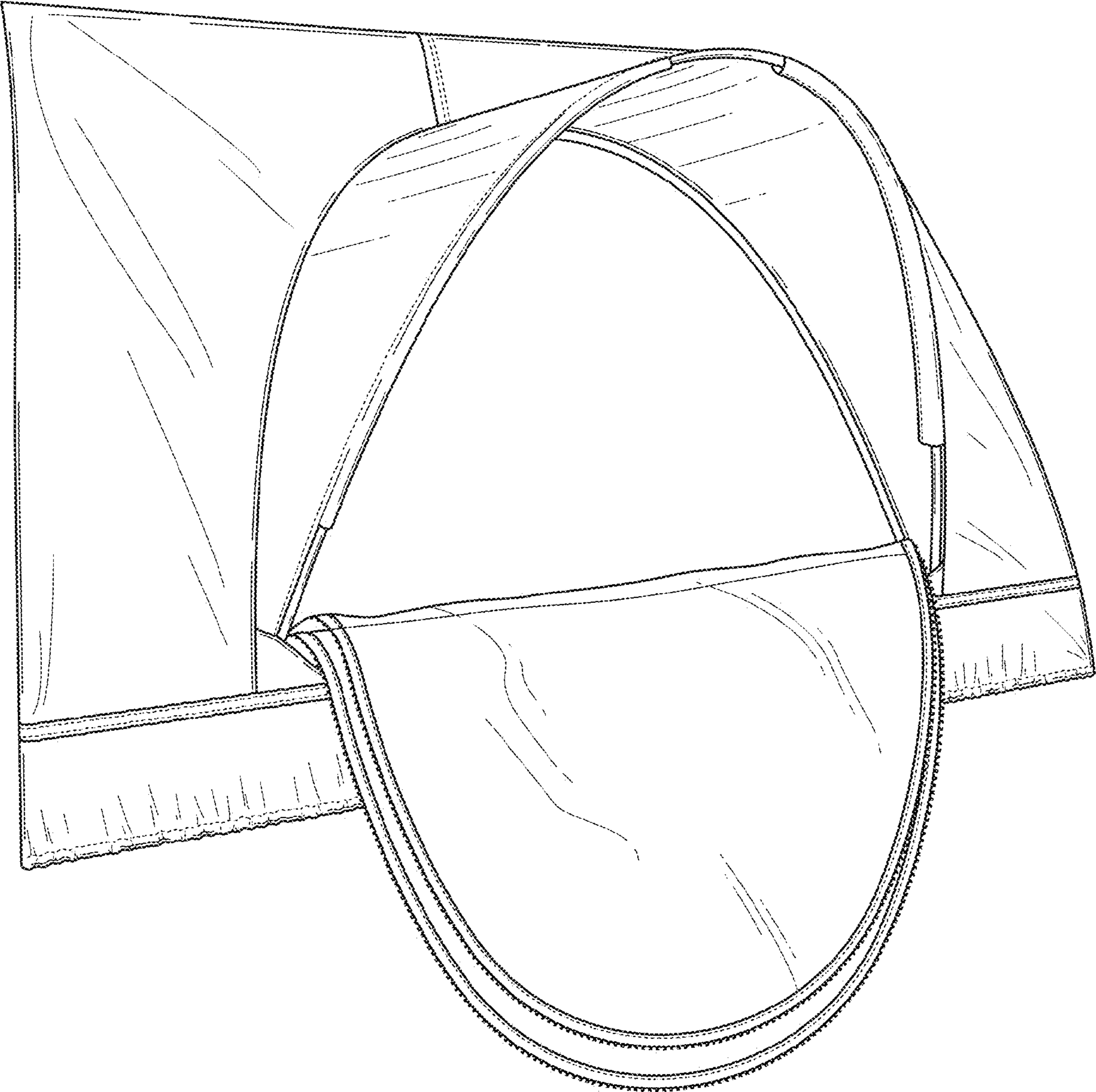


FIG. 8

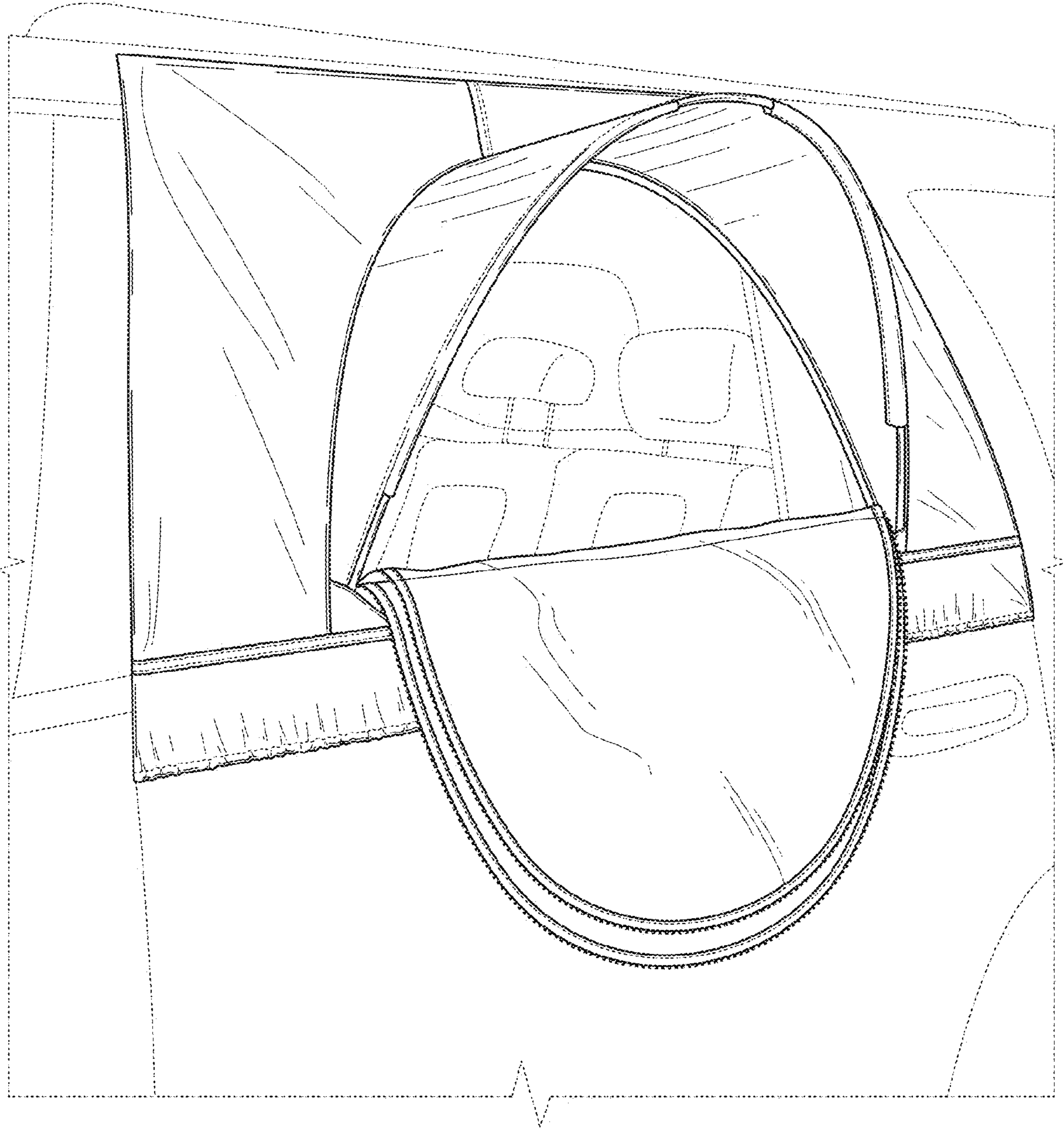


FIG. 9