



US00D924116S

(12) **United States Design Patent** (10) **Patent No.:** **US D924,116 S**  
**Viberg** (45) **Date of Patent:** **\*\* Jul. 6, 2021**

(54) **SPEED BUMP**  
(71) Applicant: **Worxsafe AB**, Östersund (SE)  
(72) Inventor: **Olov Viberg**, Östersund (SE)  
(73) Assignee: **WORXSAFE AB**  
(\*\*) Term: **15 Years**

(21) Appl. No.: **29/719,240**  
(22) Filed: **Jan. 2, 2020**

(30) **Foreign Application Priority Data**

Jul. 5, 2019 (EP) ..... 006613378-0001  
(51) **LOC (13) Cl.** ..... **12-16**  
(52) **U.S. Cl.**  
USPC ..... **D12/217; D10/113.1**  
(58) **Field of Classification Search**  
USPC ..... D10/113.1, 113.3, 109.1; D13/155, 102;  
D25/199; D12/217  
See application file for complete search history.

(56) **References Cited**

**U.S. PATENT DOCUMENTS**

3,113,642 A \* 12/1963 Lay ..... E01F 9/529  
188/32  
D229,330 S \* 11/1973 Miles ..... D12/217  
D315,542 S \* 3/1991 Dalton ..... D12/167  
D410,887 S \* 6/1999 Henry ..... D12/217  
D412,490 S \* 8/1999 Henry ..... D13/155  
D425,440 S \* 5/2000 Franklin ..... D10/113.3  
D448,338 S \* 9/2001 Duvall ..... D12/217  
D460,013 S \* 7/2002 Spiller ..... D10/113.3  
D461,138 S \* 8/2002 Spiller ..... D10/113.3  
D578,919 S \* 10/2008 Liao ..... D10/113.3  
D625,677 S \* 10/2010 Robbins, Sr. .... D12/217

D626,515 S \* 11/2010 Winer ..... D13/155  
D795,112 S \* 8/2017 Fenimore ..... D10/113.3  
D810,008 S \* 2/2018 Mollison ..... D13/102  
D843,329 S \* 3/2019 Baldwin ..... D13/155  
D862,270 S \* 10/2019 Povoli ..... D10/113.3  
D864,122 S \* 10/2019 Ruddick ..... D13/155  
D893,331 S \* 8/2020 Barnes ..... D10/113.1  
10,745,870 B2 \* 8/2020 Xiang ..... F16H 25/2204  
D902,762 S \* 11/2020 French ..... D10/113.3  
D908,042 S \* 1/2021 Brown ..... D11/156

\* cited by examiner

*Primary Examiner* — George D. Kirschbaum

(74) *Attorney, Agent, or Firm* — Condo Roccia Koptiw LLP

(57) **CLAIM**

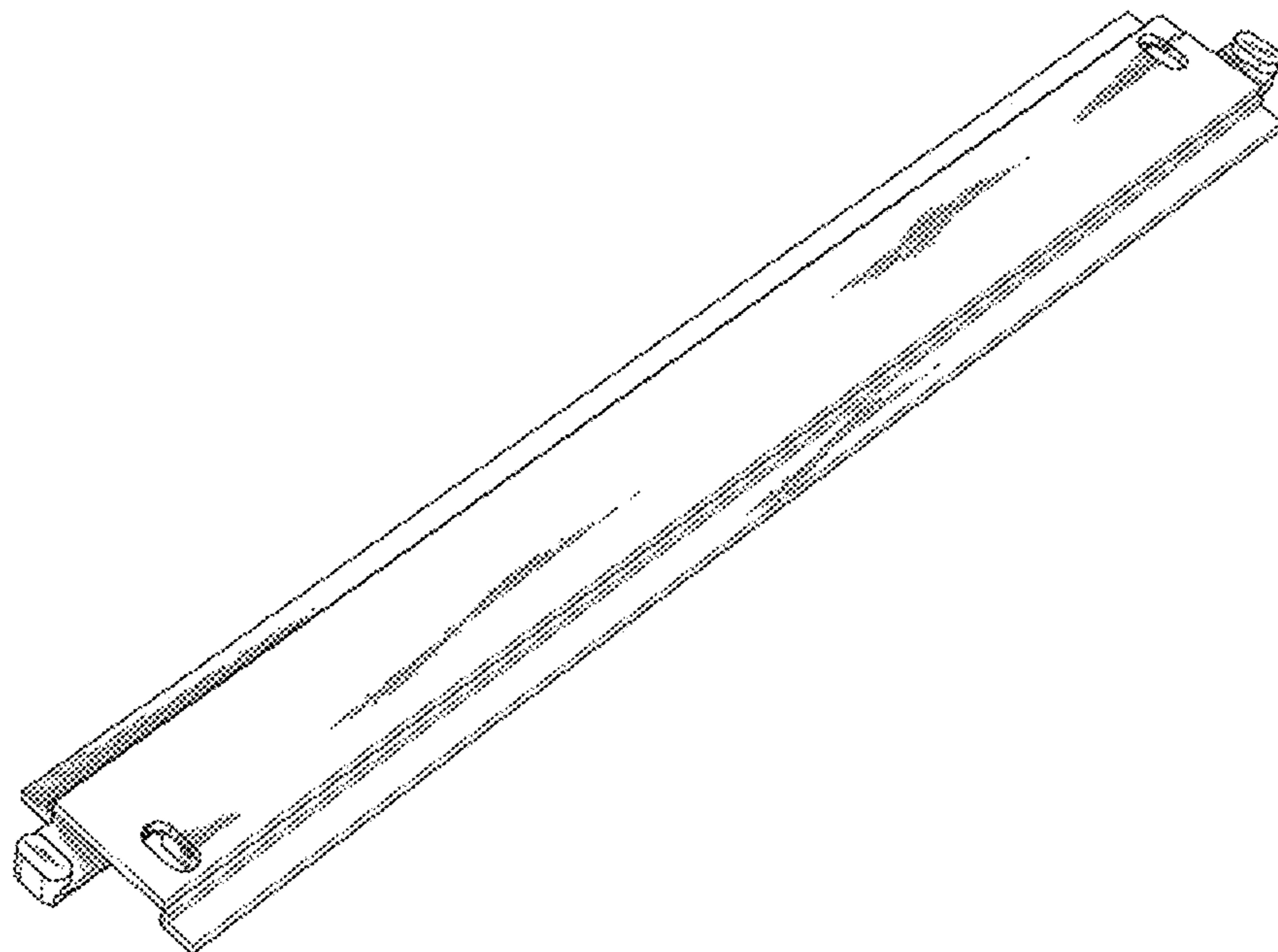
The ornamental design for a speed bump, as shown and described.

**DESCRIPTION**

FIG. 1 is a perspective view of a speed bump showing my new design;  
FIG. 2 is a bottom perspective view of the speed bump shown in FIG. 1;  
FIG. 3 is a front view of the speed bump shown in FIG. 1;  
FIG. 4 is a rear view of the speed bump shown in FIG. 1;  
FIG. 5 is a top view of the speed bump shown in FIG. 1;  
FIG. 6 is a bottom view of the speed bump shown in FIG. 1;  
FIG. 7 is a right-hand side view of the speed bump shown in FIG. 1; and,  
FIG. 8 is a left-hand side view of the speed bump shown in FIG. 1.

The broken line showing is included for the purpose of illustrating unclaimed subject matter and forms no part of the claimed design.

**1 Claim, 8 Drawing Sheets**



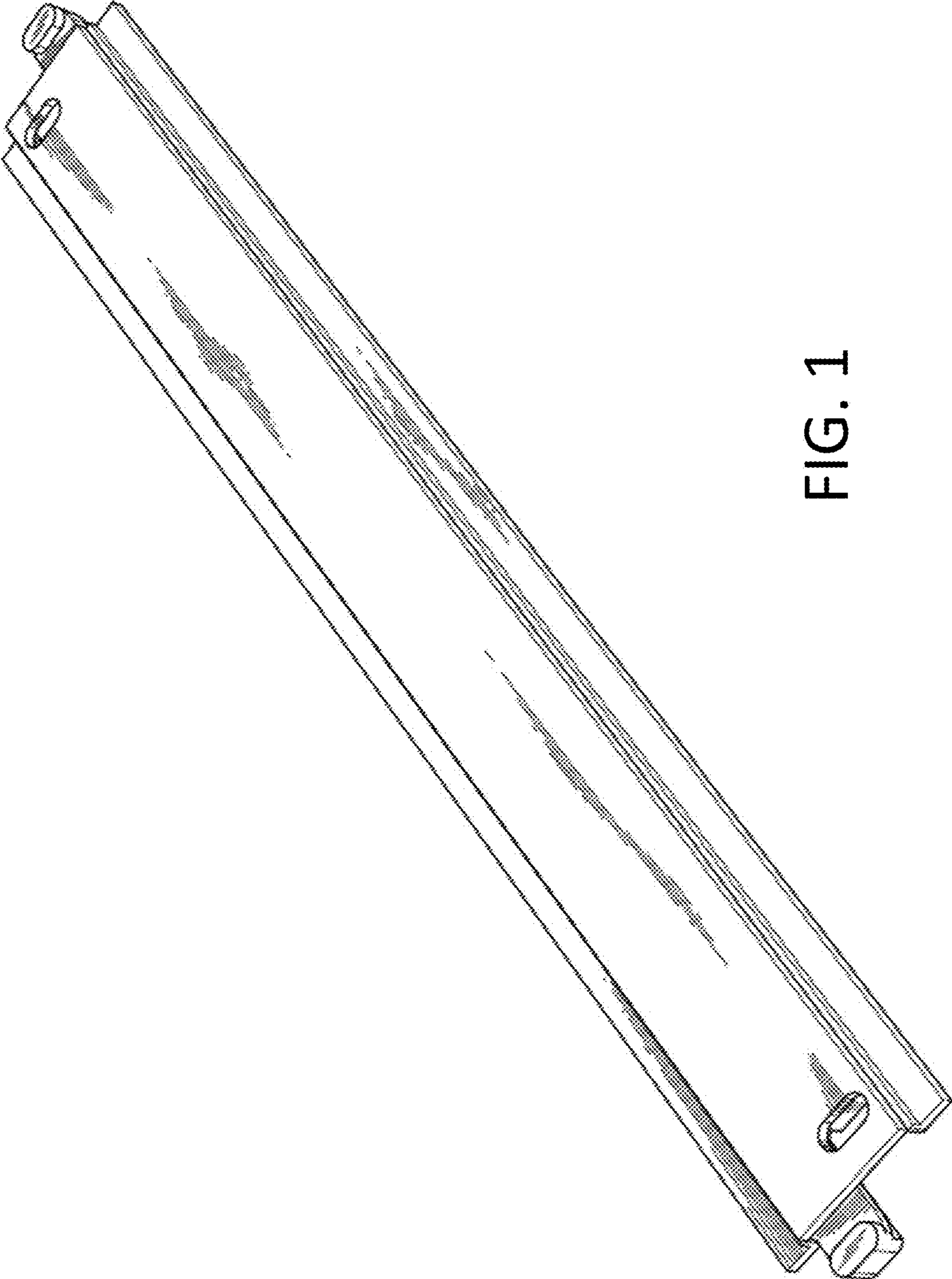


FIG. 1

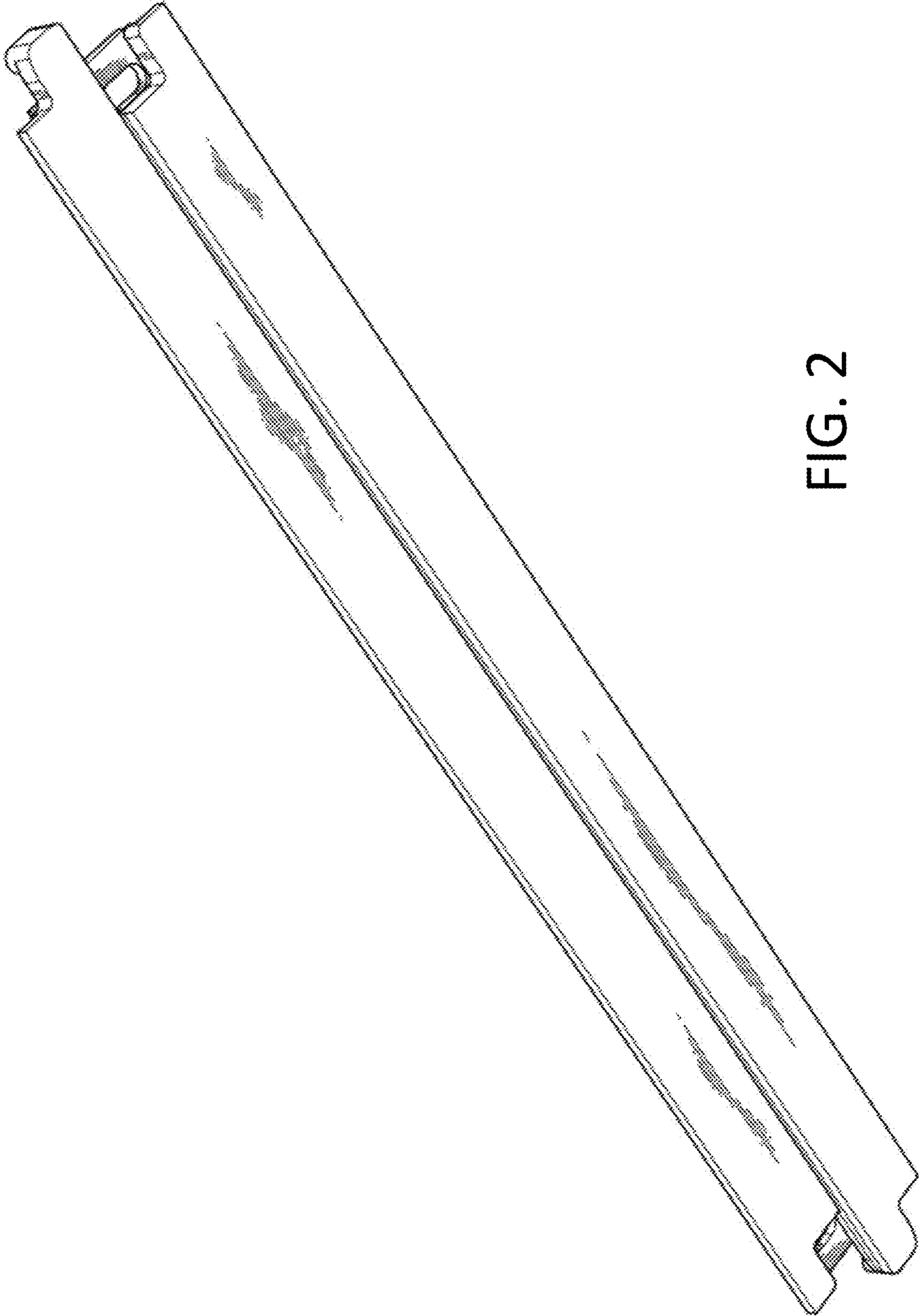


FIG. 2

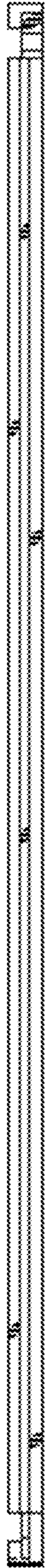


FIG. 3





FIG. 4

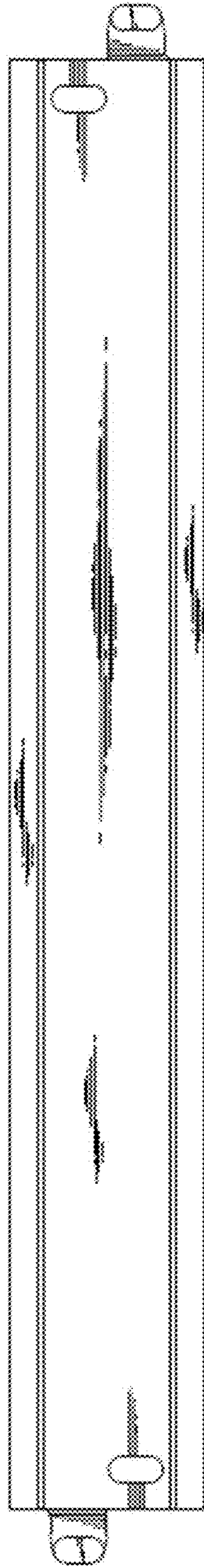


FIG. 5

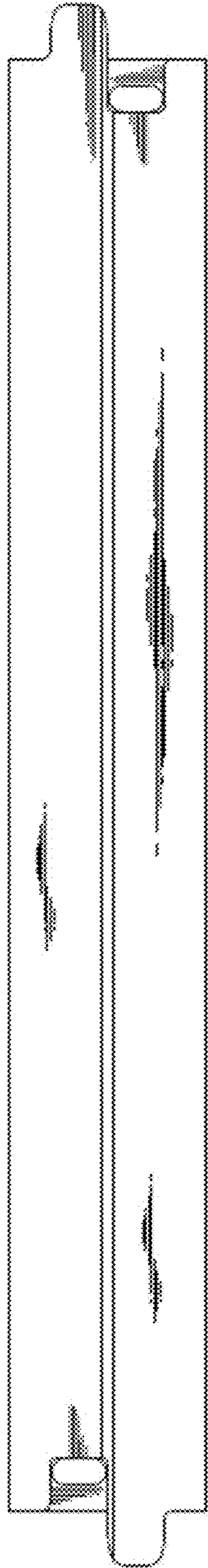


FIG. 6

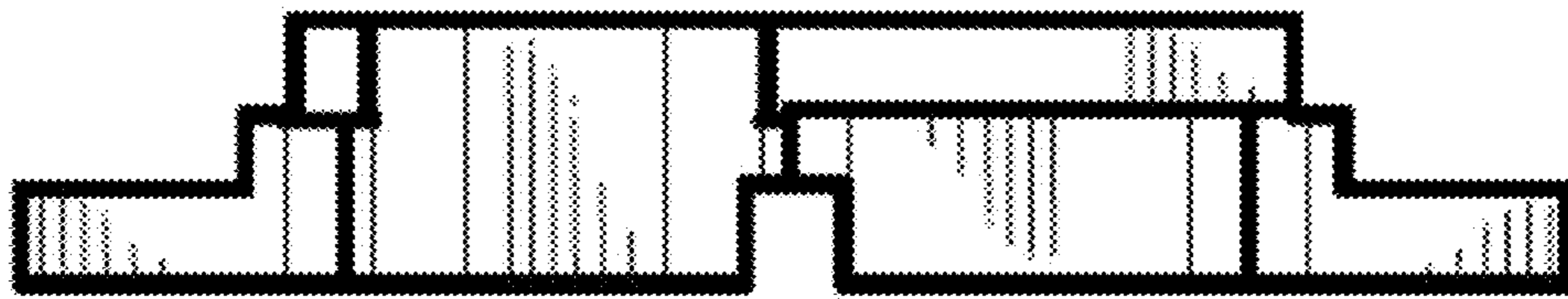


FIG. 7



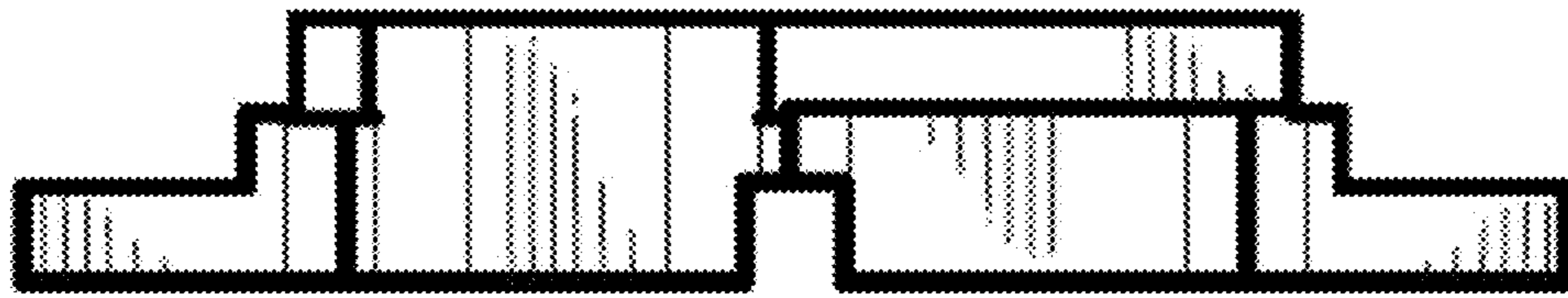


FIG. 8