



US00D924113S

(12) **United States Design Patent** (10) **Patent No.:** **US D924,113 S**
Kaoud et al. (45) **Date of Patent:** **** Jul. 6, 2021**

(54) **VEHICLE WHEEL**

(71) Applicant: **Ford Global Technologies, LLC**,
Dearborn, MI (US)
(72) Inventors: **Ehab N. Kaoud**, Livonia, MI (US);
William K. Moore, West Bloomfield,
MI (US); **Junghan Kim**, Troy, MI (US)
(73) Assignee: **Ford Global Technologies, LLC**,
Dearborn, MI (US)

(**) Term: **15 Years**

(21) Appl. No.: **29/724,003**

(22) Filed: **Feb. 12, 2020**

(51) **LOC (13) Cl.** **12-16**

(52) **U.S. Cl.**
USPC **D12/209**

(58) **Field of Classification Search**
USPC D12/204–213; D21/563
CPC B60B 7/00; B60B 7/02; B60B 7/04; B60B
7/01; B60B 7/06; B60B 3/02; B60B 3/04;
B60B 3/06; B60B 3/10; B60B 1/00;
B60B 1/08; B60B 1/10; B60B 1/12
See application file for complete search history.

(56) **References Cited**

U.S. PATENT DOCUMENTS

D569,777 S * 5/2008 Chung D12/211
D658,560 S * 5/2012 Thurner D12/209
D669,010 S * 10/2012 Nakano D12/211
D704,119 S * 5/2014 Platto D12/209
D705,153 S * 5/2014 Hall D12/209
D715,723 S * 10/2014 Gotschke D12/211

D718,207 S * 11/2014 Grake D12/211
D748,559 S * 2/2016 Zhao D12/211
D769,168 S * 10/2016 Valencia Pollex D12/211
D775,577 S * 1/2017 Holstein D12/211
D824,832 S * 8/2018 Oh D12/209
D849,641 S * 5/2019 Tovey D12/209
D852,703 S * 7/2019 De Jung D12/209
D852,712 S * 7/2019 Khachatryan D12/211
D853,301 S * 7/2019 Hahn D12/209
D861,570 S * 10/2019 Bjerke D12/211
D887,937 S * 6/2020 Platto D12/209
D888,640 S * 6/2020 Hough D12/209

OTHER PUBLICATIONS

Andrew Wendler, The 2021 Ford F-150, Spied Testing, Looks Pretty Evolutionary, May 8, 2019 <https://www.caranddriver.com/news/a27409108/2021-ford-f-150-pickup-spied/>.

* cited by examiner

Primary Examiner — Stacia A Cadmus

(74) *Attorney, Agent, or Firm* — Michael Spenner

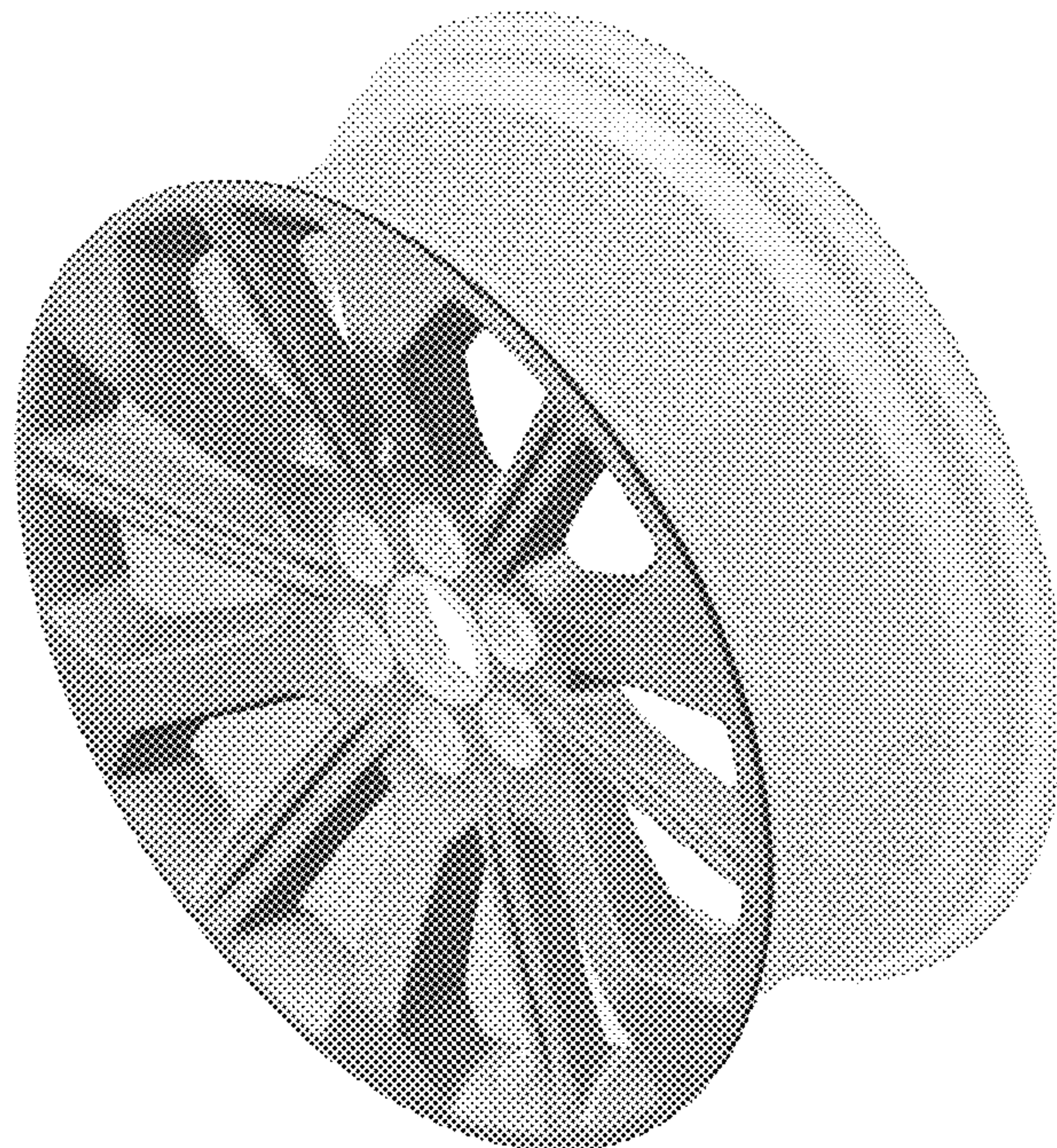
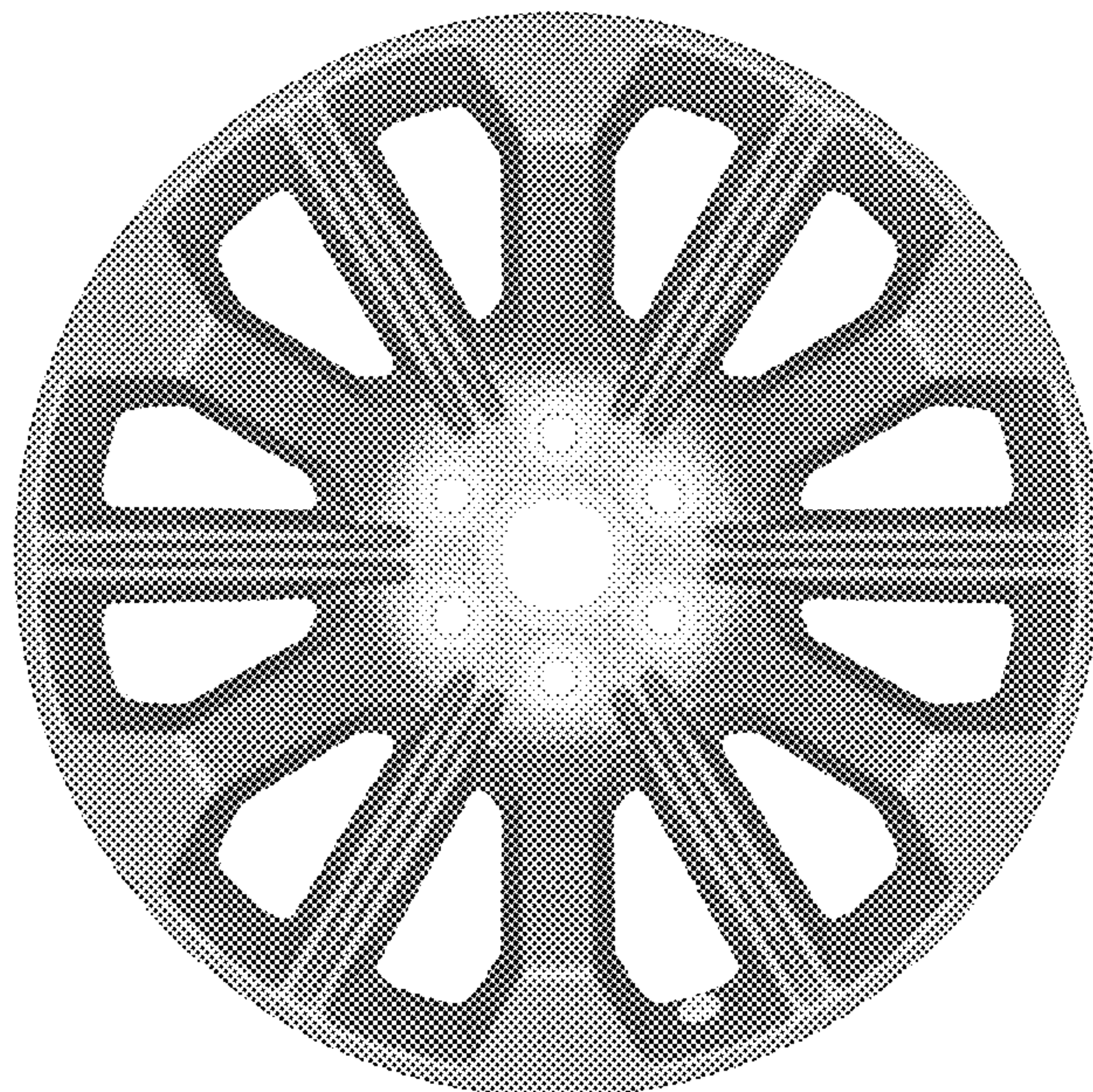
(57) **CLAIM**

The ornamental design for a vehicle wheel, as shown and described.

DESCRIPTION

FIG. 1 is a front elevational view of a vehicle wheel showing our new design; and, FIG. 2 is a perspective view thereof. The claimed design is indicated by the relatively dark portions in the figures. The de-emphasized and relatively light portions form no part of the claimed design.

1 Claim, 2 Drawing Sheets



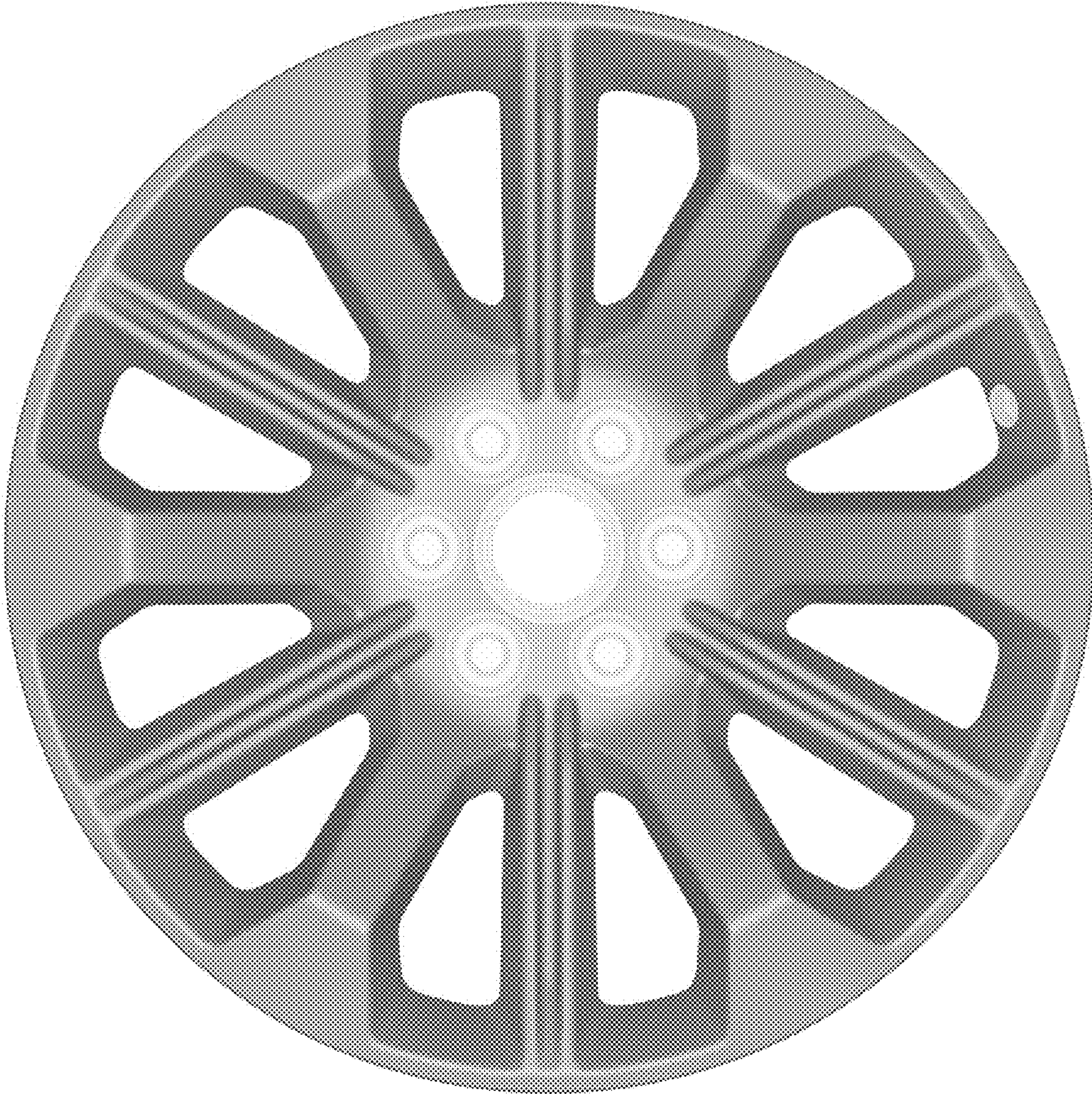


Fig.1

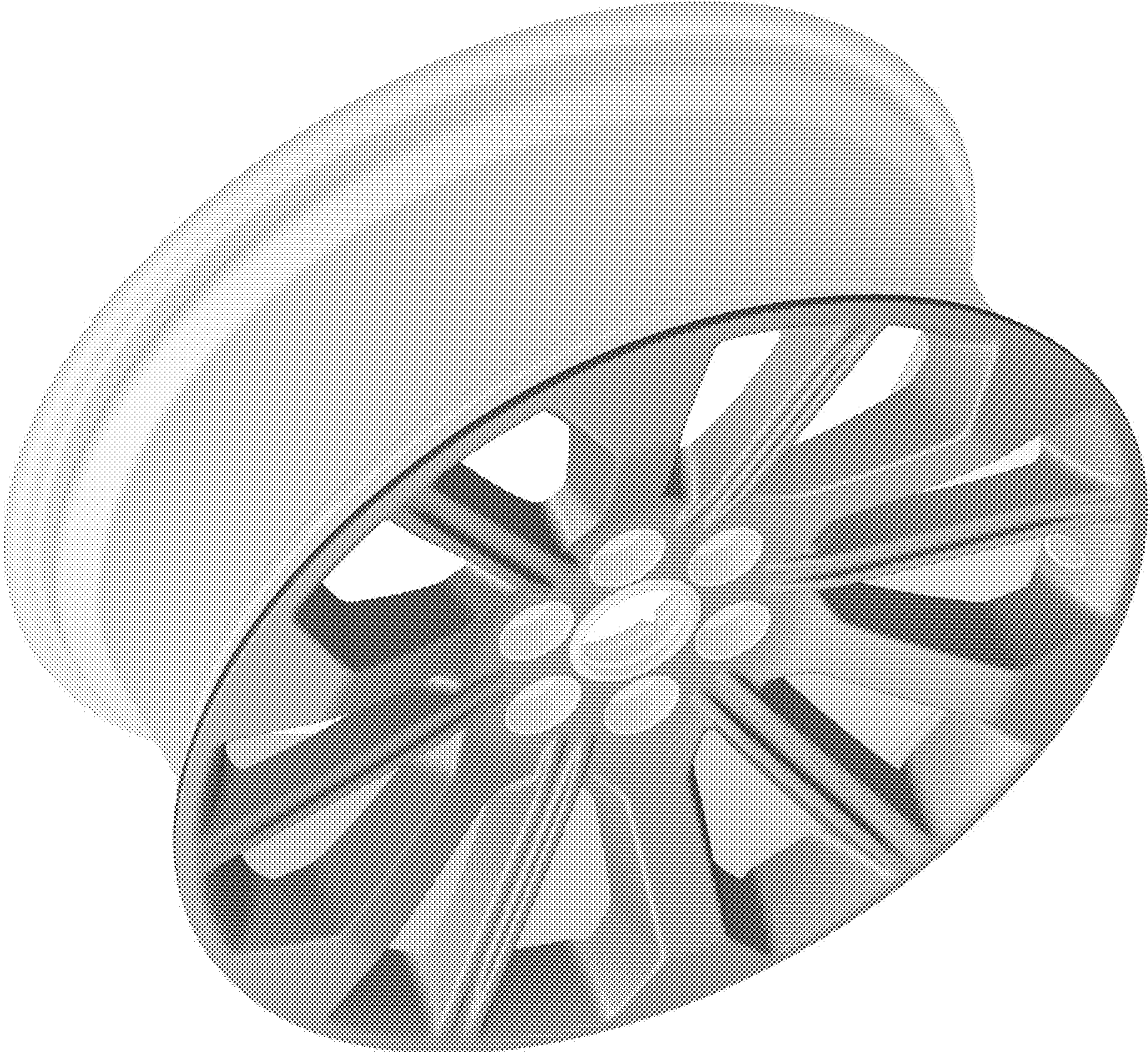


Fig. 2