



US00D924110S

(12) **United States Design Patent** (10) **Patent No.:** **US D924,110 S**
Carminati et al. (45) **Date of Patent:** **** *Jul. 6, 2021**

- (54) **DISC BRAKE**
- (71) Applicant: **Freni Brembo S.p.A.**, Curno (IT)
- (72) Inventors: **Fabiano Carminati**, Curno (IT);
Simone Biondo, Curno (IT)
- (73) Assignee: **Freni Brembo S.p.A.**, Curno (IT)
- (*) Notice: This patent is subject to a terminal disclaimer.
- (**) Term: **15 Years**
- (21) Appl. No.: **29/702,037**
- (22) Filed: **Aug. 16, 2019**
- (30) **Foreign Application Priority Data**

D497,127	S *	10/2004	Veneziano	D12/180
D609,147	S *	2/2010	Schmitz	D12/180
D640,620	S *	6/2011	Bielis, IV	D12/180
D640,622	S *	6/2011	Schmitz	D12/180
D647,442	S *	10/2011	Schmitz	D12/180
D690,634	S *	10/2013	Joseph	D12/180
D691,528	S *	10/2013	Joseph	D12/180
8,851,245	B2 *	10/2014	Bielis, IV	F16D 65/127 188/218 XL
9,765,834	B2 *	9/2017	Joseph	F16D 65/0006
10,156,275	B2 *	12/2018	Carminati	F16D 65/123
D842,781	S *	3/2019	Keller	D12/180
2004/0040802	A1 *	3/2004	Veneziano	F16D 65/128 188/218 XL
2004/0140164	A1 *	7/2004	Burgoon	F16D 65/123 188/218 R
2004/0200678	A1 *	10/2004	Lin	F16D 65/12 188/218 XL
2012/0168266	A1 *	7/2012	Veneziano	F16D 65/12 188/218 XL
2013/0327602	A1 *	12/2013	Barber	B22C 9/00 188/218 XL

- Feb. 18, 2019 (IT) 402019000000297
- (51) **LOC (13) Cl.** **12-16**
- (52) **U.S. Cl.**
USPC **D12/180**
- (58) **Field of Classification Search**
USPC D12/14, 106, 114, 118, 122, 160, 161,
D12/162, 179, 180, 207, 217, 400
CPC B22C 9/00; F16D 65/0006; F16D 65/12;
F16D 65/123; F16D 65/126; F16D
65/127; F16D 65/128; F16D 69/00
See application file for complete search history.

* cited by examiner

Primary Examiner — Susan E Krakower
Assistant Examiner — Jerry Shiuhan-Hua Hsu
(74) *Attorney, Agent, or Firm* — Marshall & Melhorn, LLC

(57) **CLAIM**

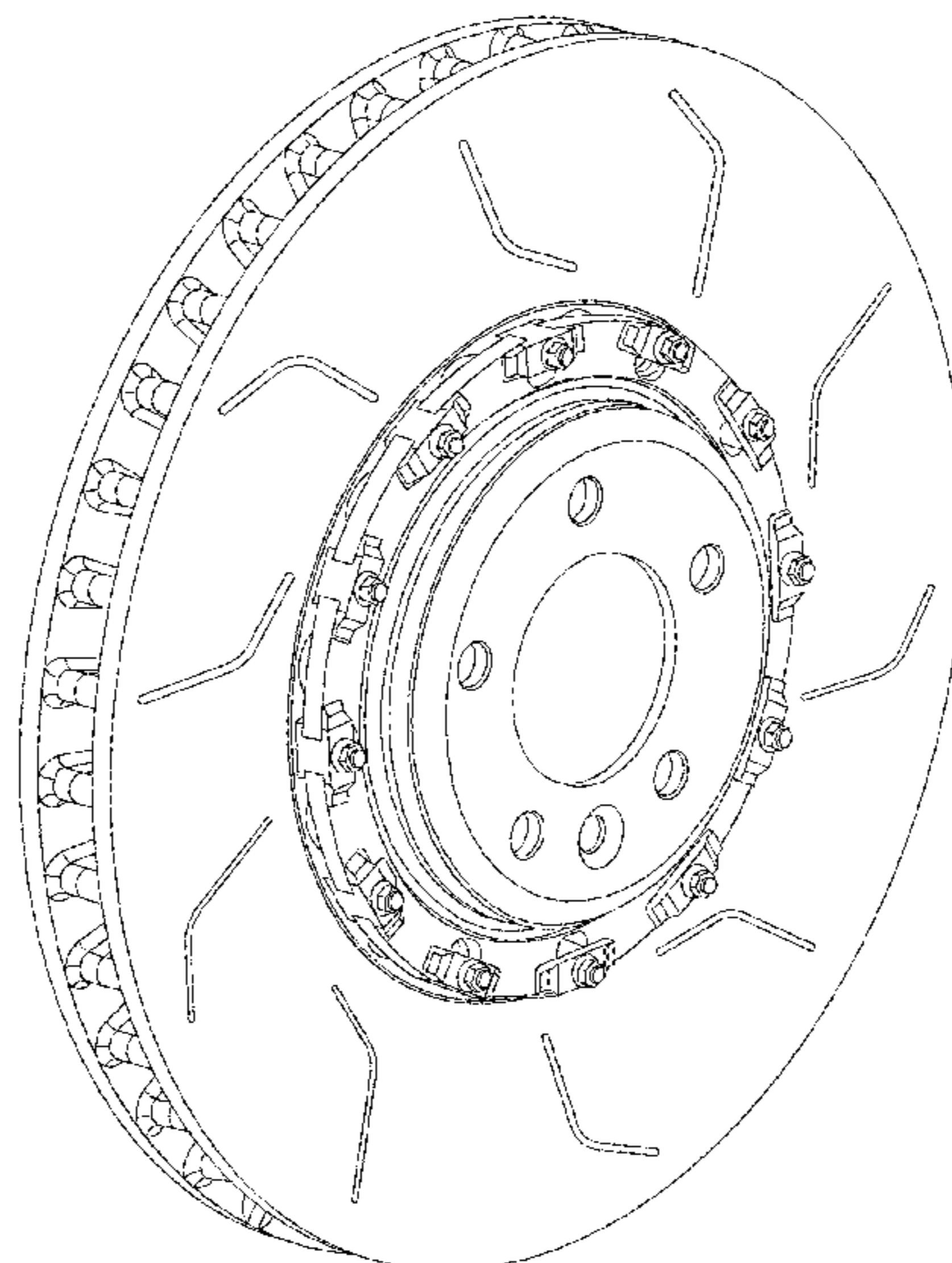
The ornamental design for a disc brake, as shown and described.

DESCRIPTION

FIG. 1 is a top, front, left perspective view of a disc brake, showing our new design;
FIG. 2 is a top, front, right perspective view thereof;
FIG. 3 is a top, rear, left perspective view thereof;
FIG. 4 is top, rear, right perspective view thereof;
FIG. 5 is a rear view thereof;
FIG. 6 is a front view thereof; and,
FIG. 7 is right side elevation view thereof.

1 Claim, 7 Drawing Sheets

- (56) **References Cited**
U.S. PATENT DOCUMENTS
- 2,835,355 A * 5/1958 Armstrong F16D 65/12
188/218 XL
- 3,425,524 A * 2/1969 Dewar F16D 65/126
188/218 XL
- 4,726,455 A * 2/1988 East F16D 69/00
192/107 R
- D459,282 S * 6/2002 Oberti D12/180
- D471,140 S * 3/2003 Oberti D12/180



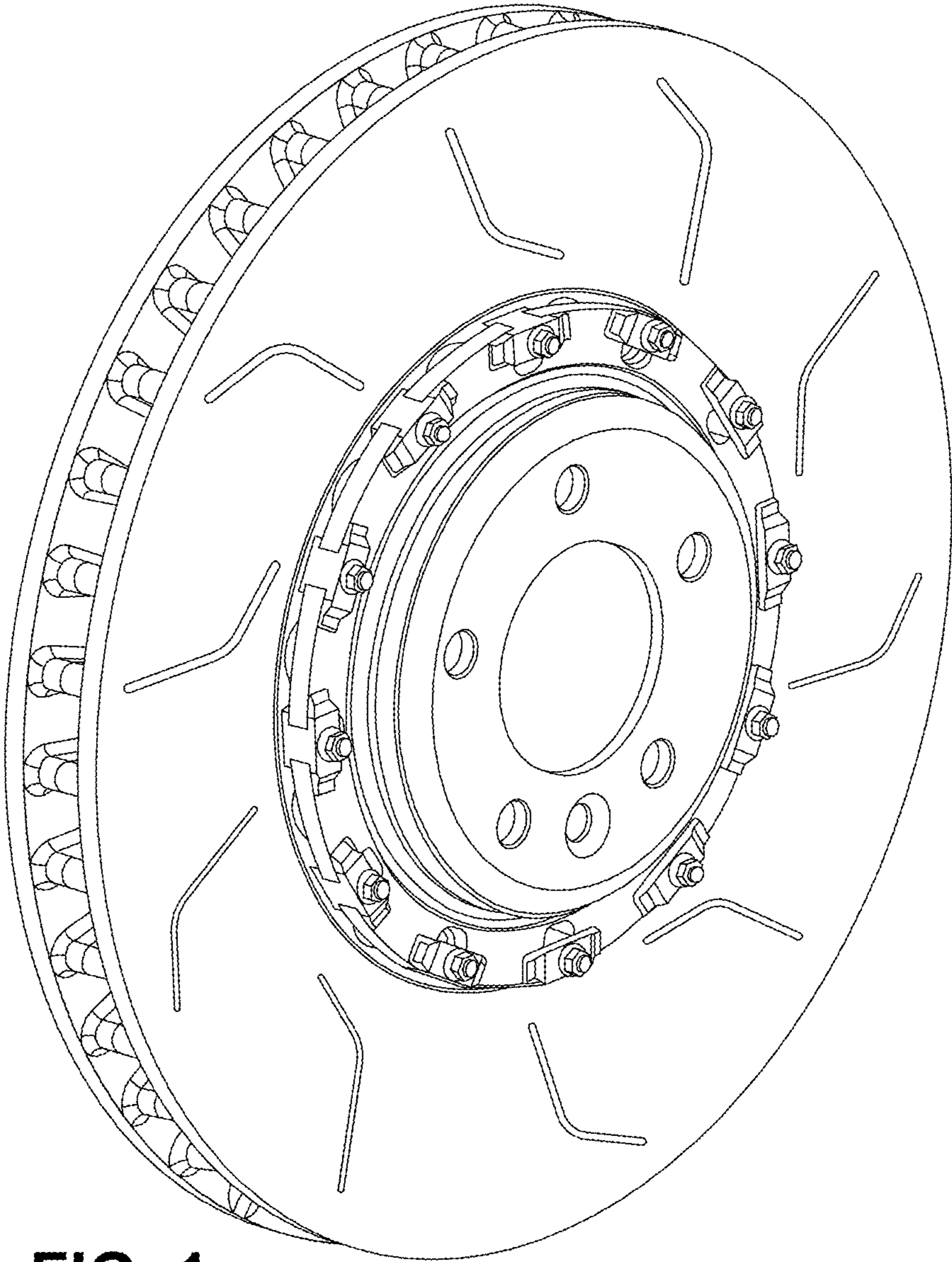


FIG. 1

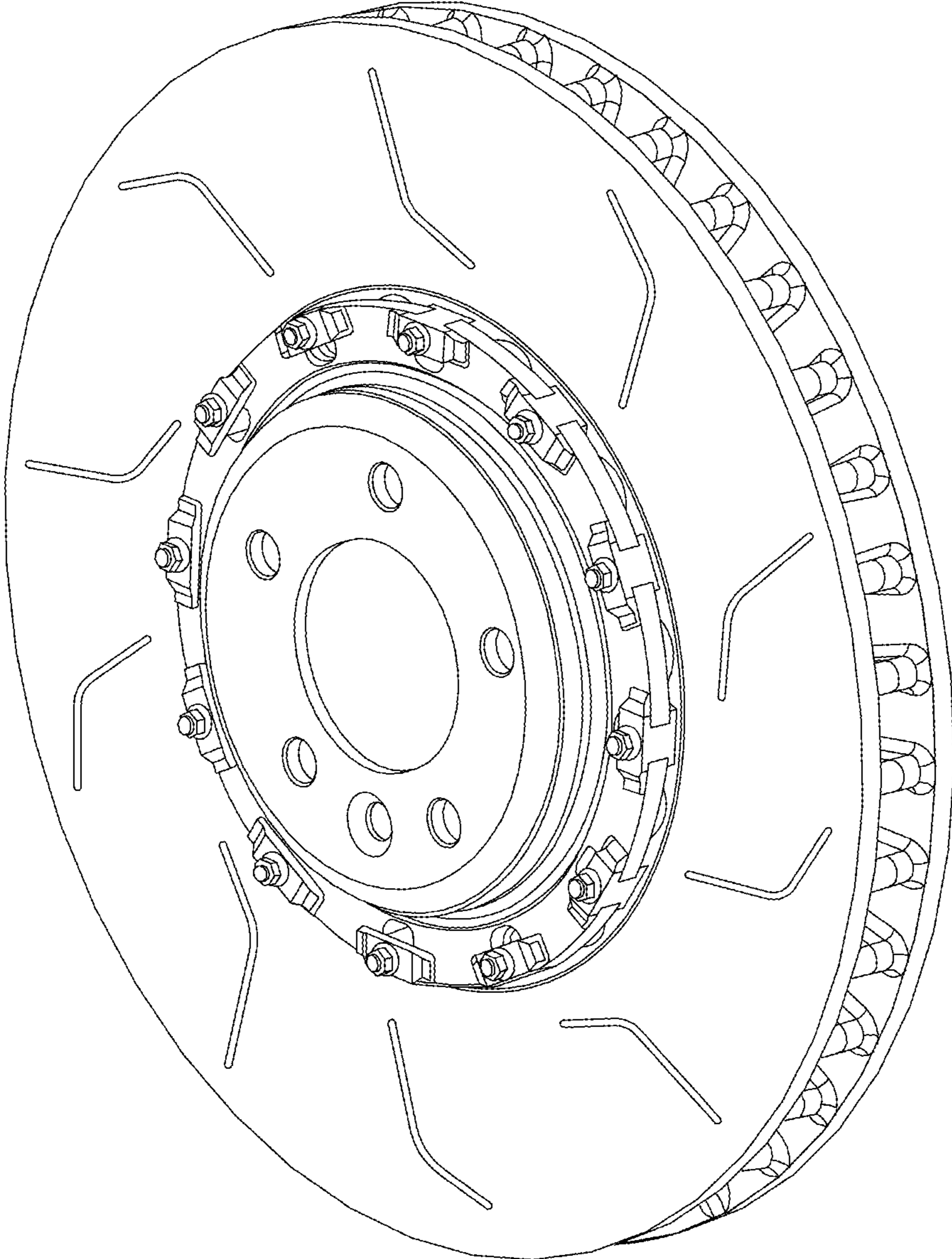


FIG. 2

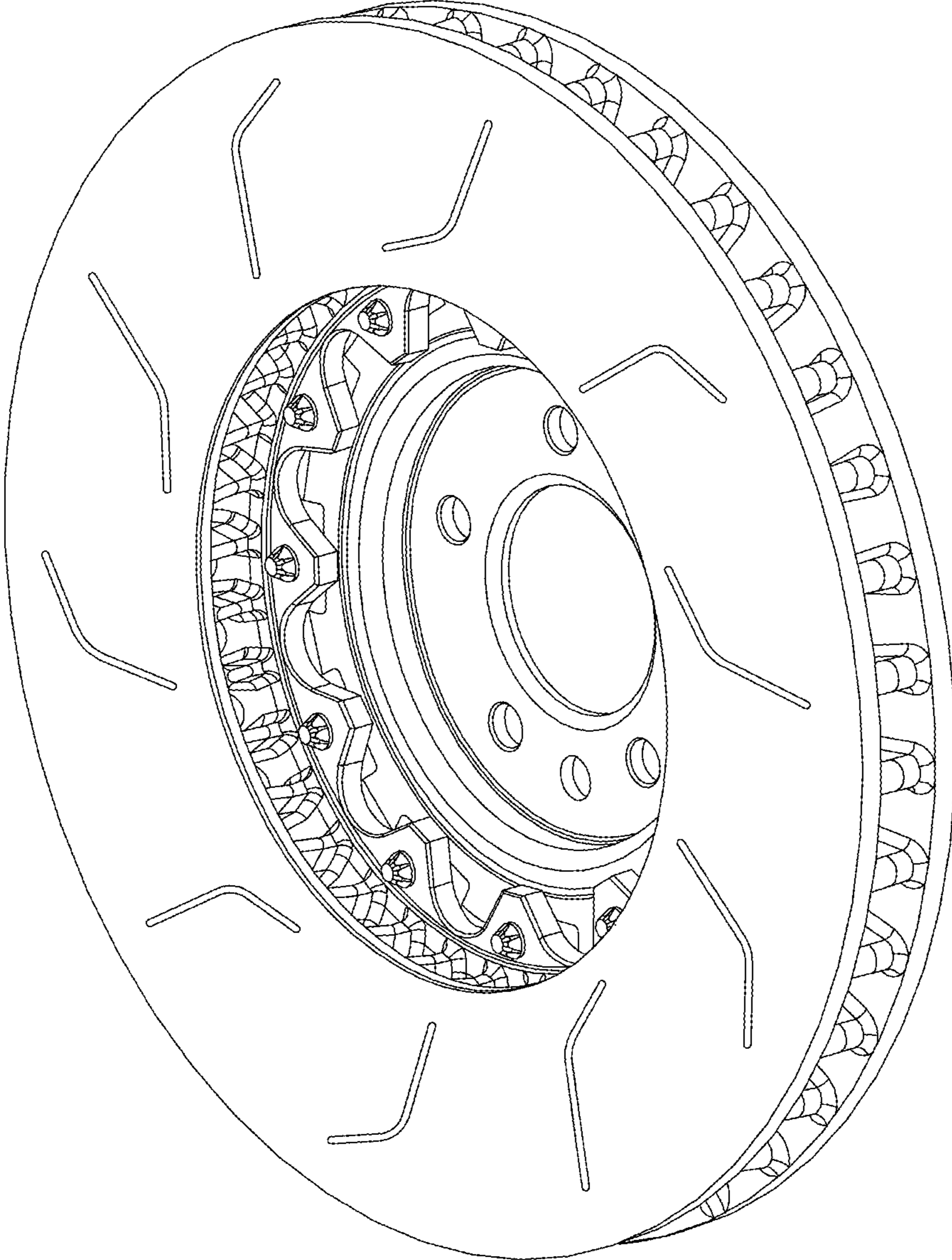


FIG. 3

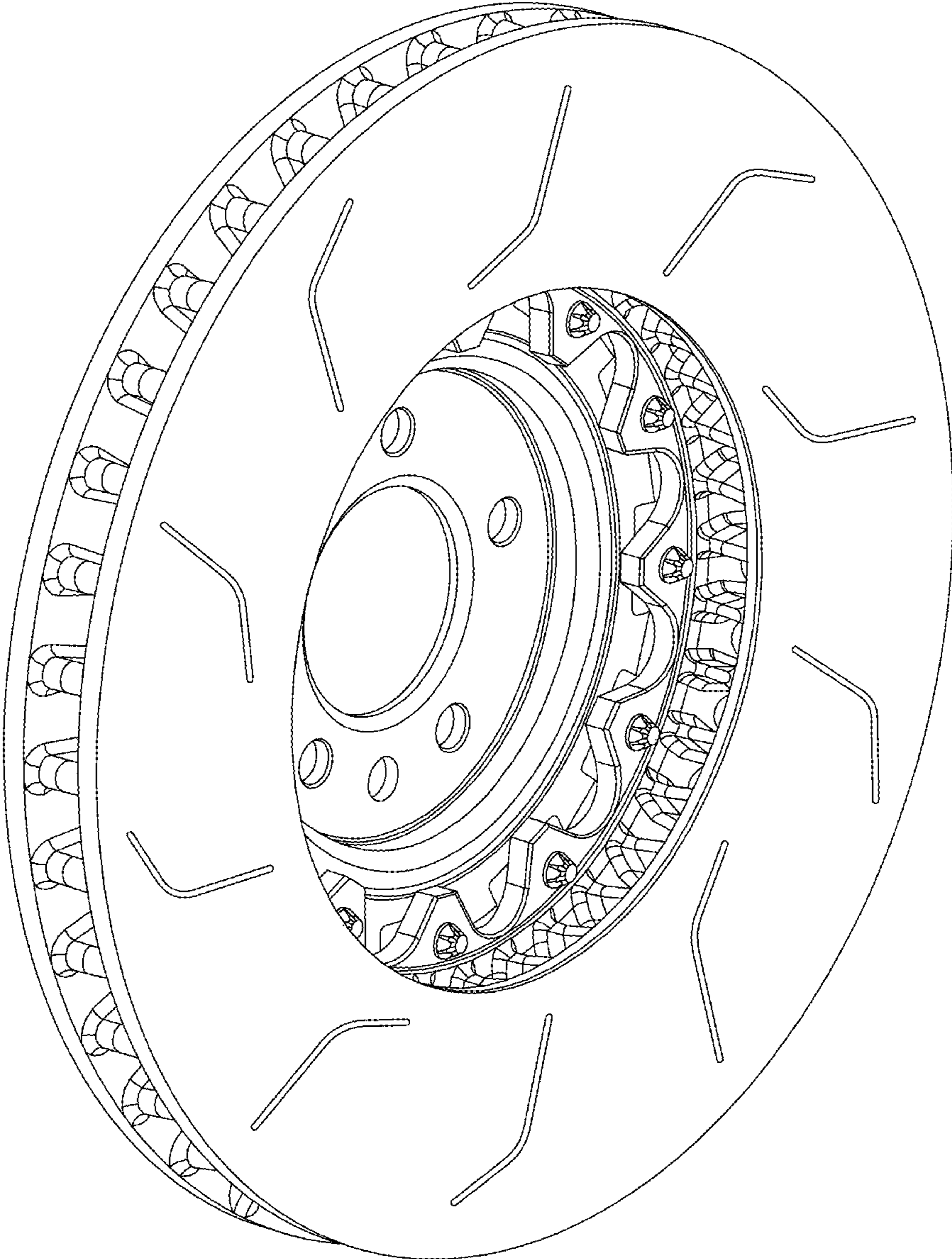


FIG. 4

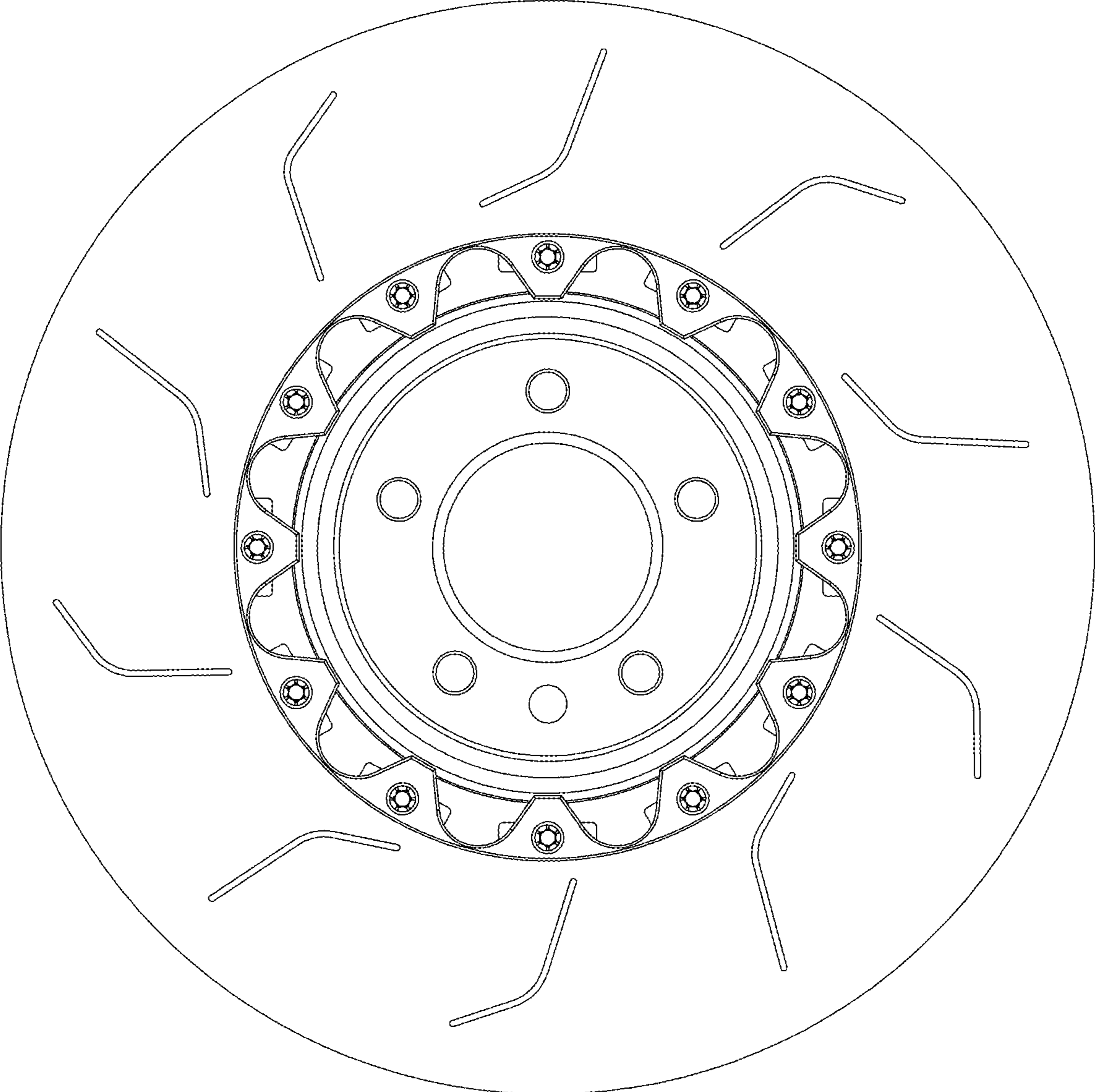


FIG. 5

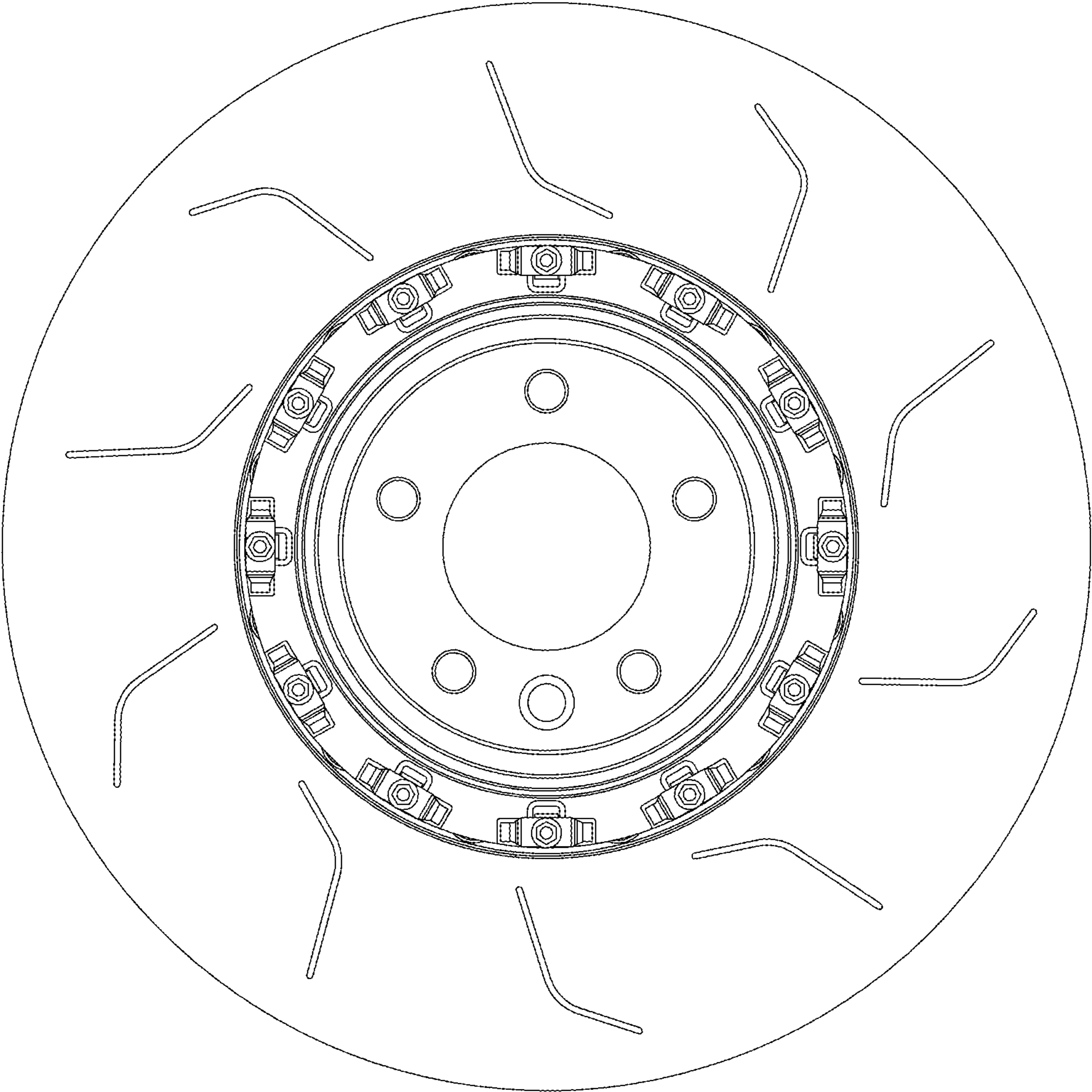


FIG. 6

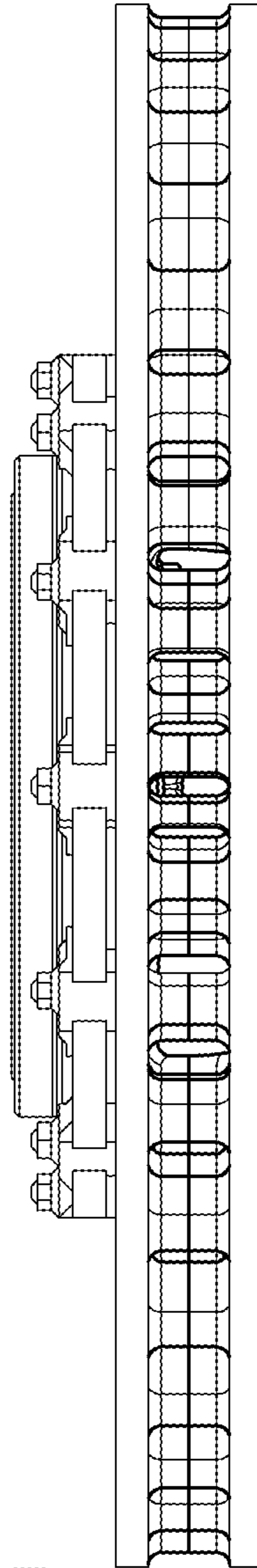


FIG. 7