



US00D924108S

(12) **United States Design Patent** (10) **Patent No.:** **US D924,108 S**
Works et al. (45) **Date of Patent:** **** Jul. 6, 2021**

- (54) **DROP BAR FOR A TRAILER HITCH**
- (71) Applicant: **B & W Custom Truck Beds, Inc.,**
Humboldt, KS (US)
- (72) Inventors: **Joseph W. Works,** Humboldt, KS (US);
Travis M. McCall, Humboldt, KS (US)
- (73) Assignee: **B & W Custom Truck Beds, Inc.,**
Humboldt, KS (US)
- (**) Term: **15 Years**
- (21) Appl. No.: **29/723,884**
- (22) Filed: **Feb. 11, 2020**
- (51) **LOC (13) Cl.** **12-16**
- (52) **U.S. Cl.**
USPC **D12/162**
- (58) **Field of Classification Search**
USPC D12/159-162
CPC . B60D 1/60; B60D 1/065; B60D 1/00; B60D
1/06; B60D 1/36
See application file for complete search history.

D887,910 S *	6/2020	Noel	D12/162
D890,636 S *	7/2020	Sanborn	D12/162
D894,800 S *	9/2020	Noel	D12/162
D897,245 S *	9/2020	Borkholder	D12/162
D897,246 S *	9/2020	Giddens	D12/162
D898,628 S *	10/2020	Sagen	D12/162
D907,537 S *	1/2021	Goodner	D12/162
D909,922 S *	2/2021	Siegel	D12/162

OTHER PUBLICATIONS

Cequent Hitch Drop Bar photos; On sale prior to filing date of present application.

(Continued)

Primary Examiner — Katrina A Betton
(74) *Attorney, Agent, or Firm* — Erickson Kernell IP, LLC; Kent R. Erickson

(57) **CLAIM**

The ornamental design for a drop bar for a trailer hitch, as shown and described.

DESCRIPTION

FIG. 1 is a front perspective view of a drop bar for a trailer hitch showing our new design in solid lines and showing in phantom lines an example of a hitch ball assembly securable to the drop bar to show the environment in which the design is associated;

FIG. 2 is a perspective view thereof, similar to FIG. 1;

FIG. 3 is a rear perspective view thereof;

FIG. 4 is a left side, elevational view thereof, the right side being a mirror image thereof;

FIG. 5 is a rear, elevational view thereof;

FIG. 6 is a front, elevational view thereof;

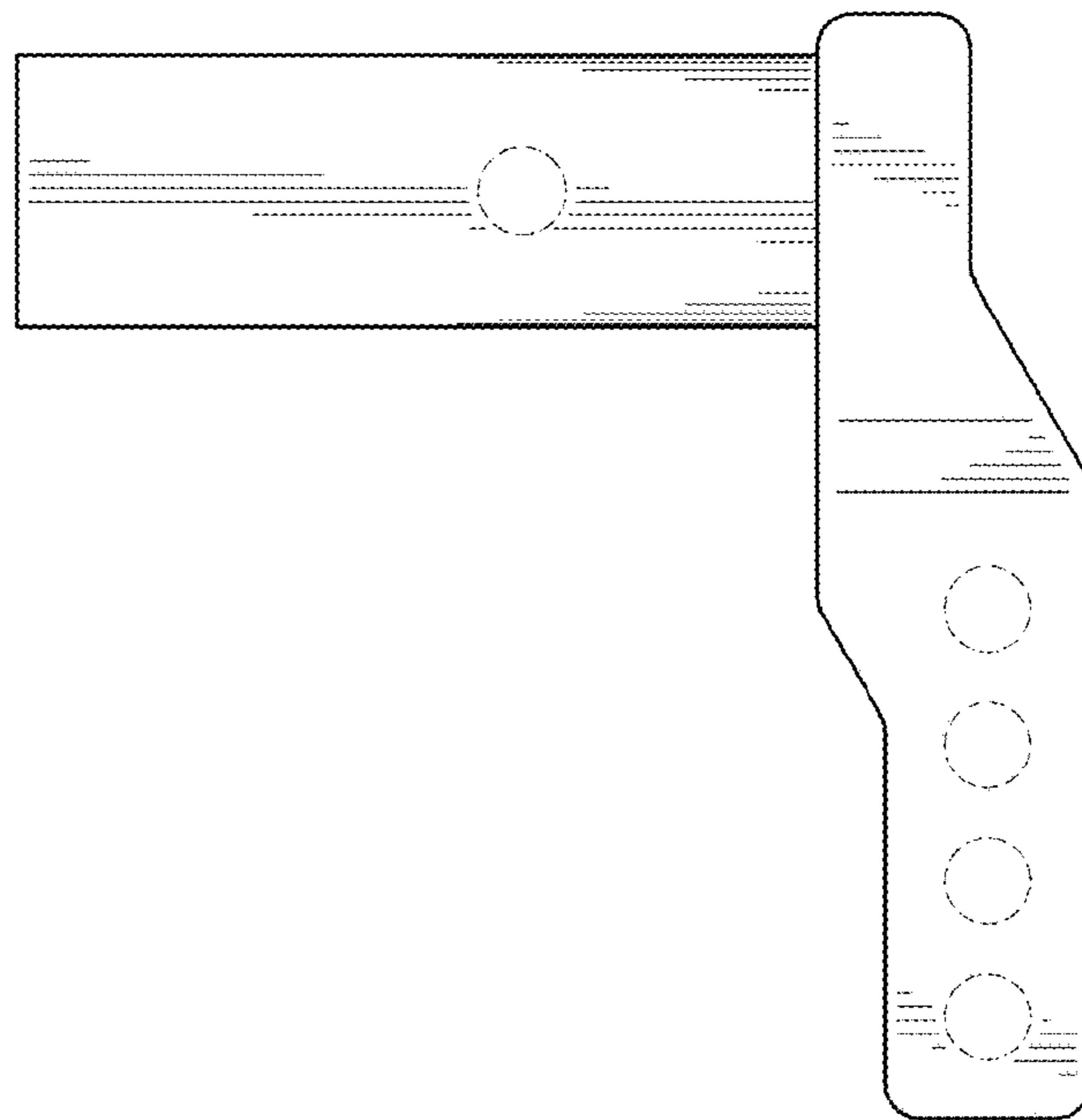
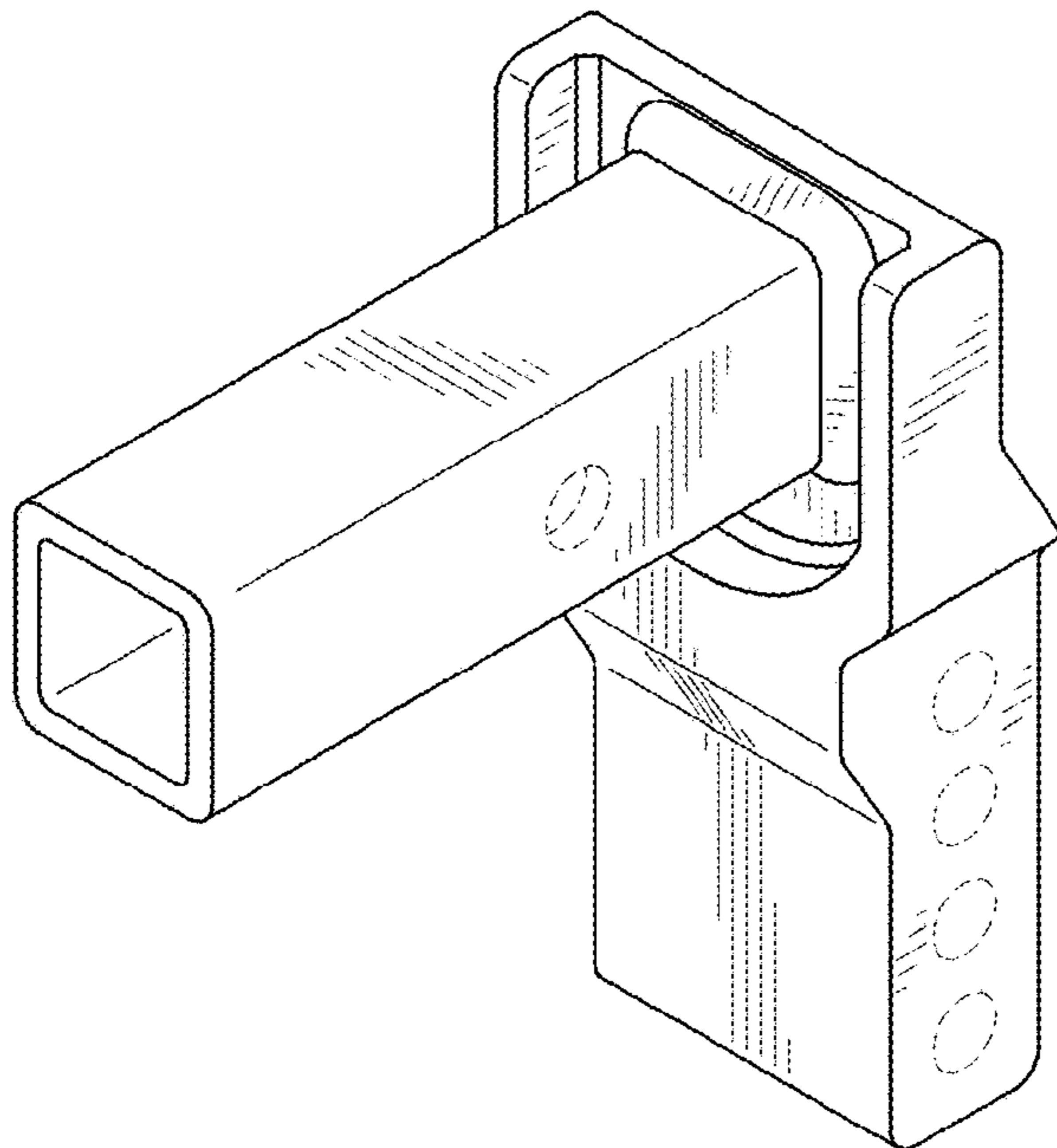
FIG. 7 is a top, plan view thereof; and,

FIG. 8 is a bottom, plan view thereof.

The broken lines shown in the drawings illustrate portions of the drop bar that form no part of the claim.

1 Claim, 5 Drawing Sheets

- (56) **References Cited**
U.S. PATENT DOCUMENTS
- | | | | |
|--------------|---------|-------------|---------------|
| 6,460,870 B2 | 10/2002 | Moss | |
| 6,712,381 B1 | 3/2004 | Moss | |
| 6,789,815 B2 | 9/2004 | Moss | |
| 6,974,148 B2 | 12/2005 | Moss et al. | |
| 7,004,492 B2 | 2/2006 | Moss et al. | |
| 7,029,022 B2 | 4/2006 | Moss | |
| 7,125,036 B2 | 10/2006 | Moss et al. | |
| 7,204,505 B2 | 4/2007 | Moss | |
| 7,819,416 B2 | 10/2010 | Moss | |
| D867,228 S * | 11/2019 | DePietro | D12/162 |
| D873,724 S * | 1/2020 | Borkholder | D12/162 |
| D879,670 S * | 3/2020 | Borkholder | D12/162 |



(56)

References Cited

OTHER PUBLICATIONS

Husky Liners Drop Bar photos; On sale prior to filing date of present application.

Fastway Trailer Products Drop Bar photos; On sale prior to filing date of present application.

B & W Trailer Hitches Drop Bar photos; On sale prior to filing of present application.

Cequent Hitch Drop Bar photos; On sale prior to Sep. 18, 2018.

Husky Liners Drop Bar photos; On sale prior to Sep. 18, 2018.

Fastway Trailer Products Drop Bar photos; On sale prior to Sep. 18, 2018.

B & W Trailer Hitches Drop Bar photos; On sale prior to Sep. 18, 2018.

Cequent Hitch Drop Bar; On sale in the United States of America prior to Sep. 18, 2018 (See Exhibit A1 and A2). Sold by Cequent Performance Products, Inc.

Husky Liners Drop Bar; On sale in the United States of America prior to Sep. 18, 2018 (See Exhibit B1 and B2). Sold by Husky Liners, Inc. Currently offered for sale at https://www.ebay.com/b/Husky-Liners-Car-Truck-Towing-Hauling/33653/bn_21008096.

Fastway Trailer Products Drop Bar; On sale in the United States of America prior to Sep. 18, 2018 (See Exhibit C1 and C2). Sold by Progress Mfg. Inc. Currently offered for sale on [etrailer.com](https://www.etrailer.com/Trailer-Hitch-Ball-Mount/B-and-W/BWTS10048B.html?feed=npn&gclid=CjwKCAiAp4KCBhB6EiwAxRxbpIJQajVtrb81UekAFeyovn0mVhKgCJVII0jOyYVaKJ5V9kKN7sWluxoCep8QAvD_BwE) at https://www.etrailer.com/Trailer-Hitch-Ball-Mount/B-and-W/BWTS10048B.html?feed=npn&gclid=CjwKCAiAp4KCBhB6EiwAxRxbpIJQajVtrb81UekAFeyovn0mVhKgCJVII0jOyYVaKJ5V9kKN7sWluxoCep8QAvD_BwE.

B & W Trailer Hitches Drop Bar, On sale in the United States of America prior to Sep. 18, 2018 (See Exhibit D1 and D2). Sold by B&W Custom Truck Beds, Inc. Currently offered for sale at https://www.etrailer.com/Trailer-Hitch-Ball-Mount/B-and-W/BWTS10048B.html?feed=npn&gclid=CjwKCAiAp4KCBhB6EiwAxRxbpIJQajVtrb81UekAFeyovn0mVhKgCJVII0jOyYVaKJ5V9kKN7sWluxoCep8QAvD_BwE.

* cited by examiner

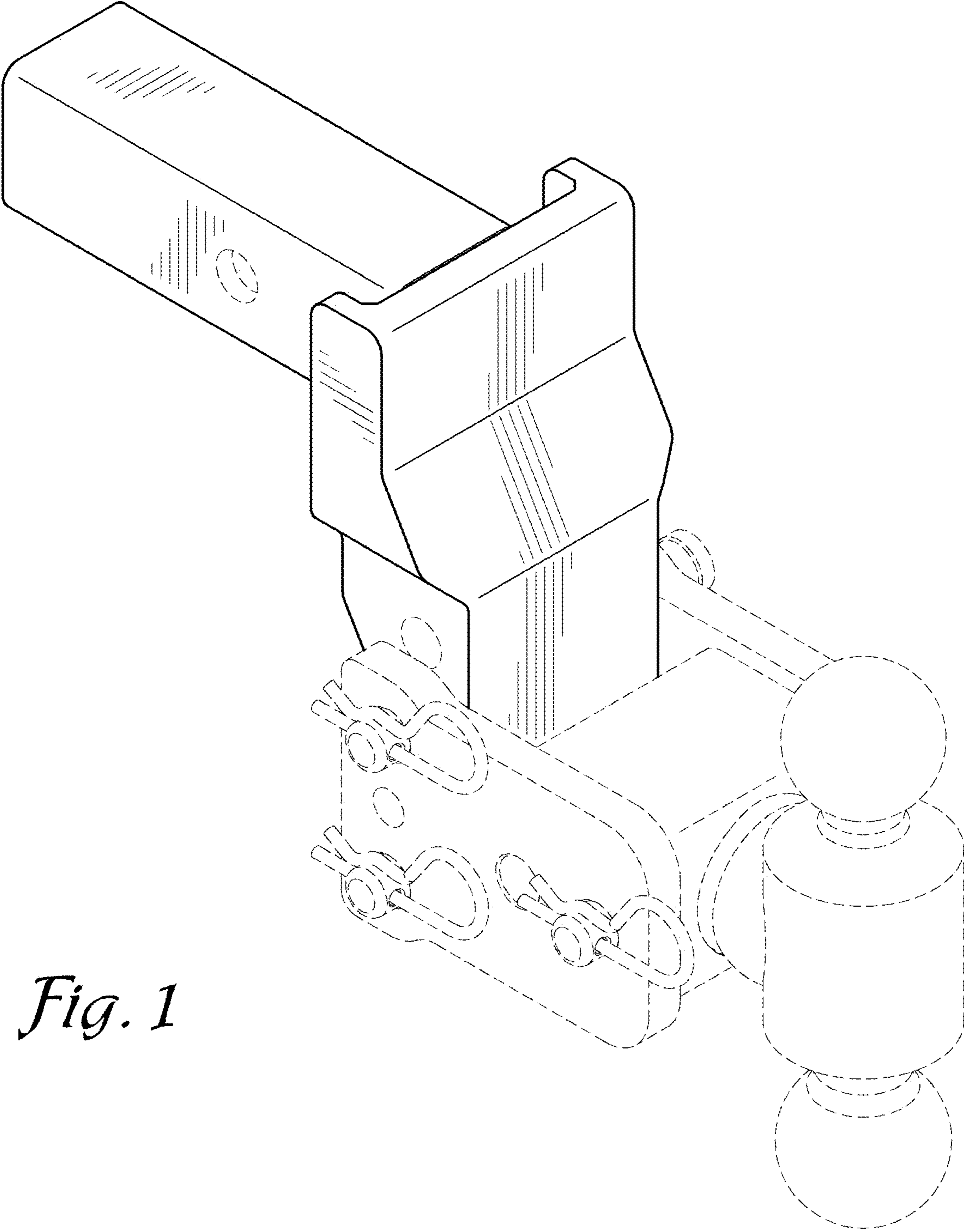
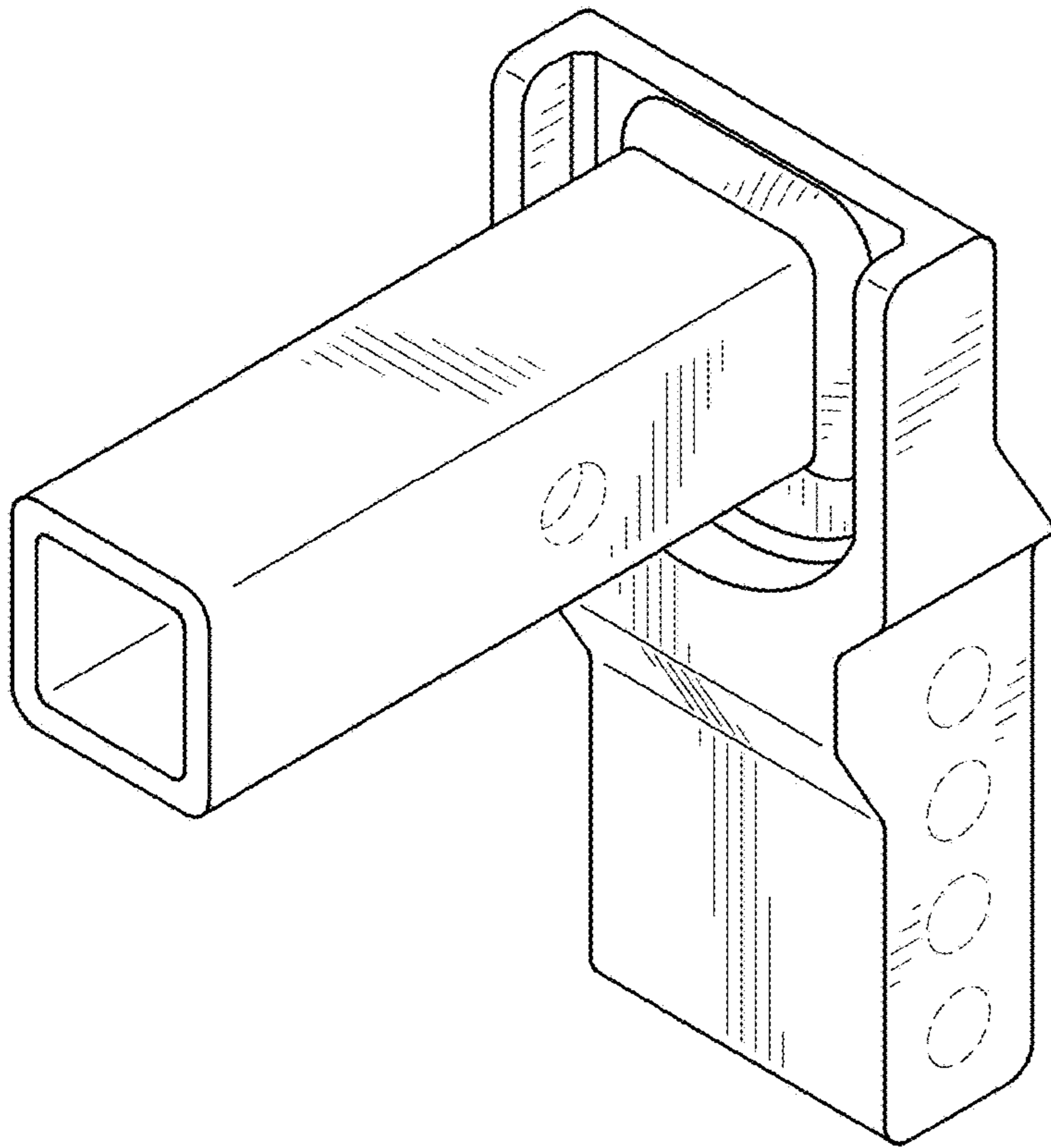
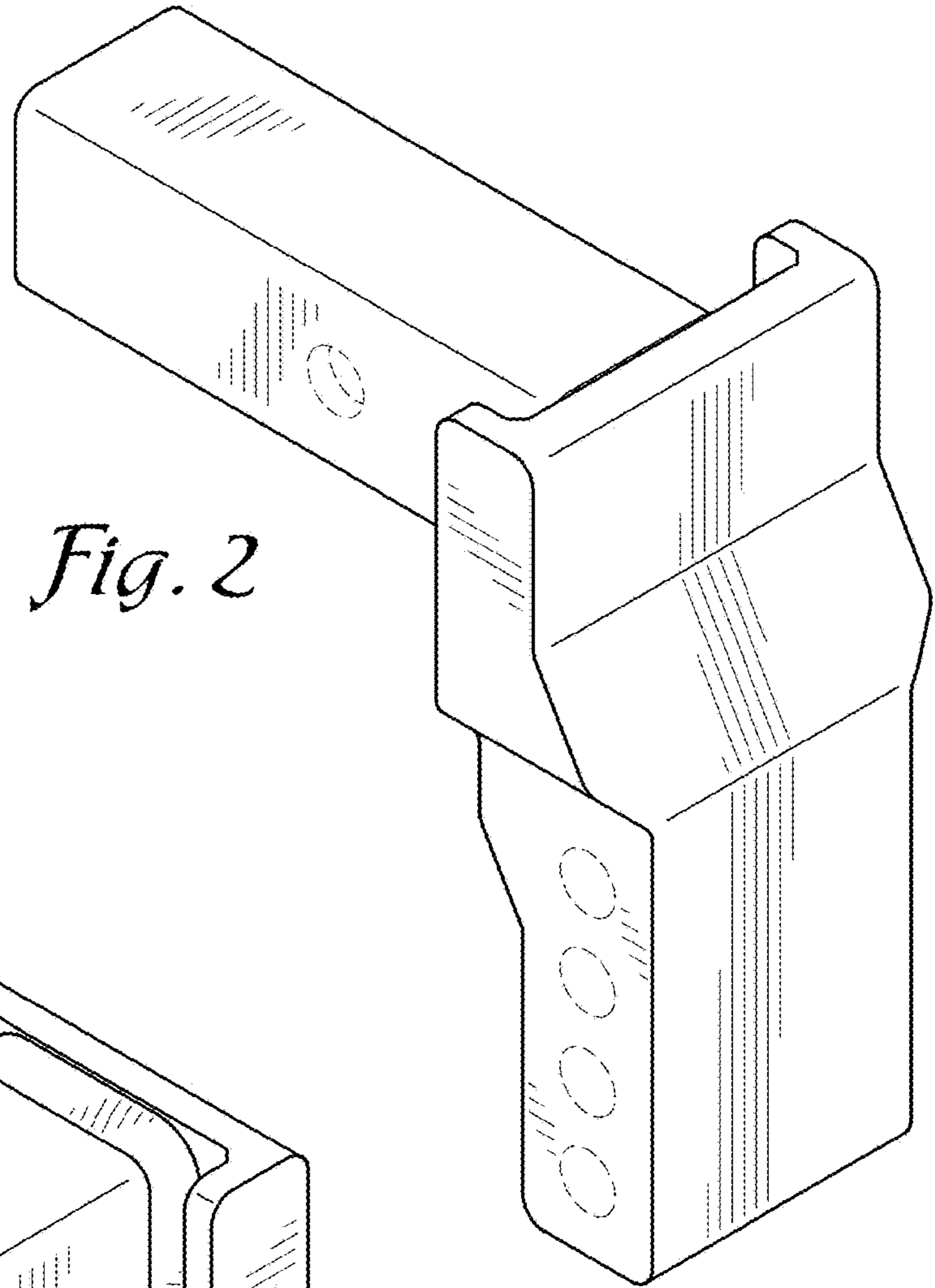


Fig. 1



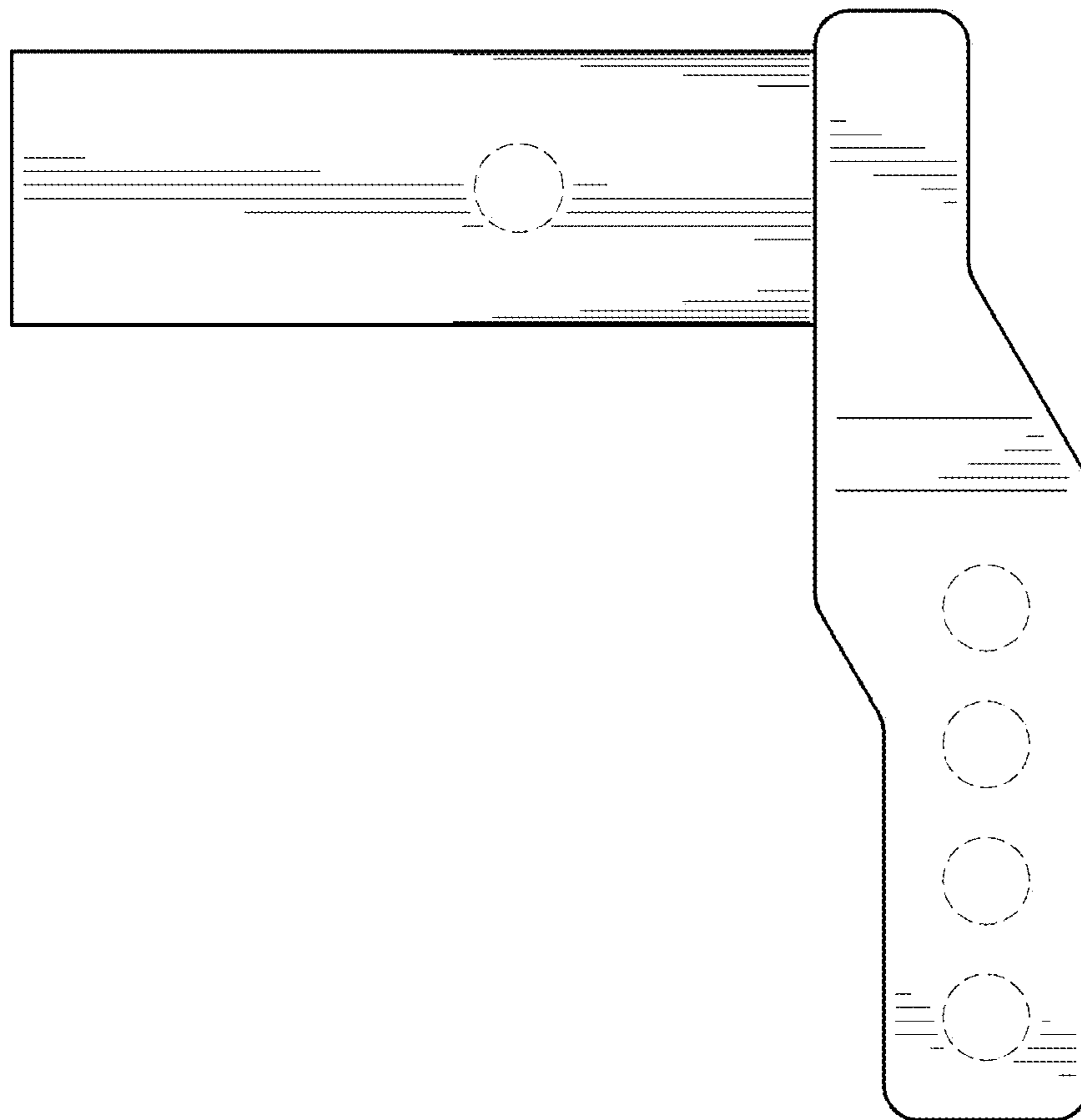


Fig. 4

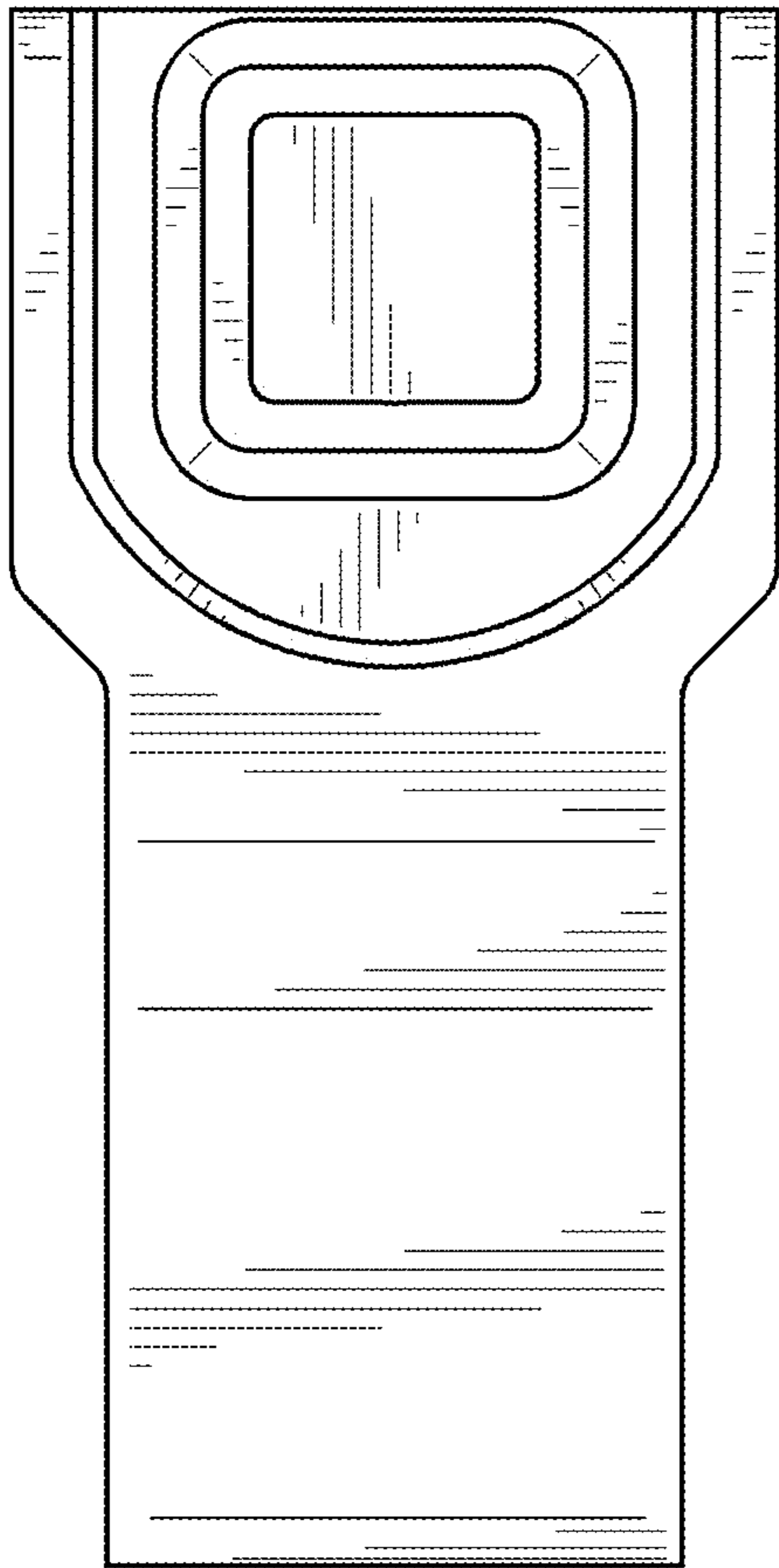


Fig. 5

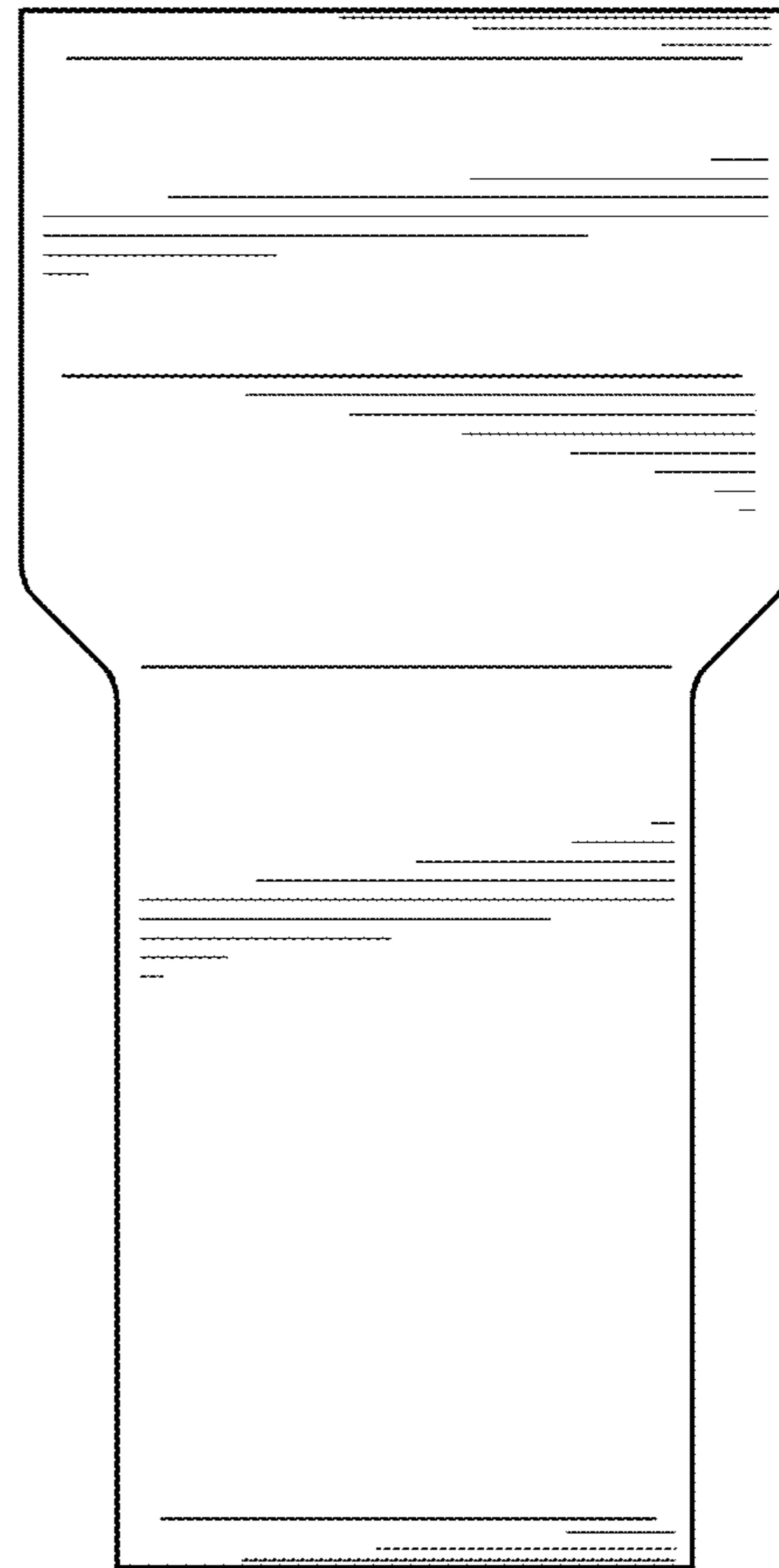


Fig. 6

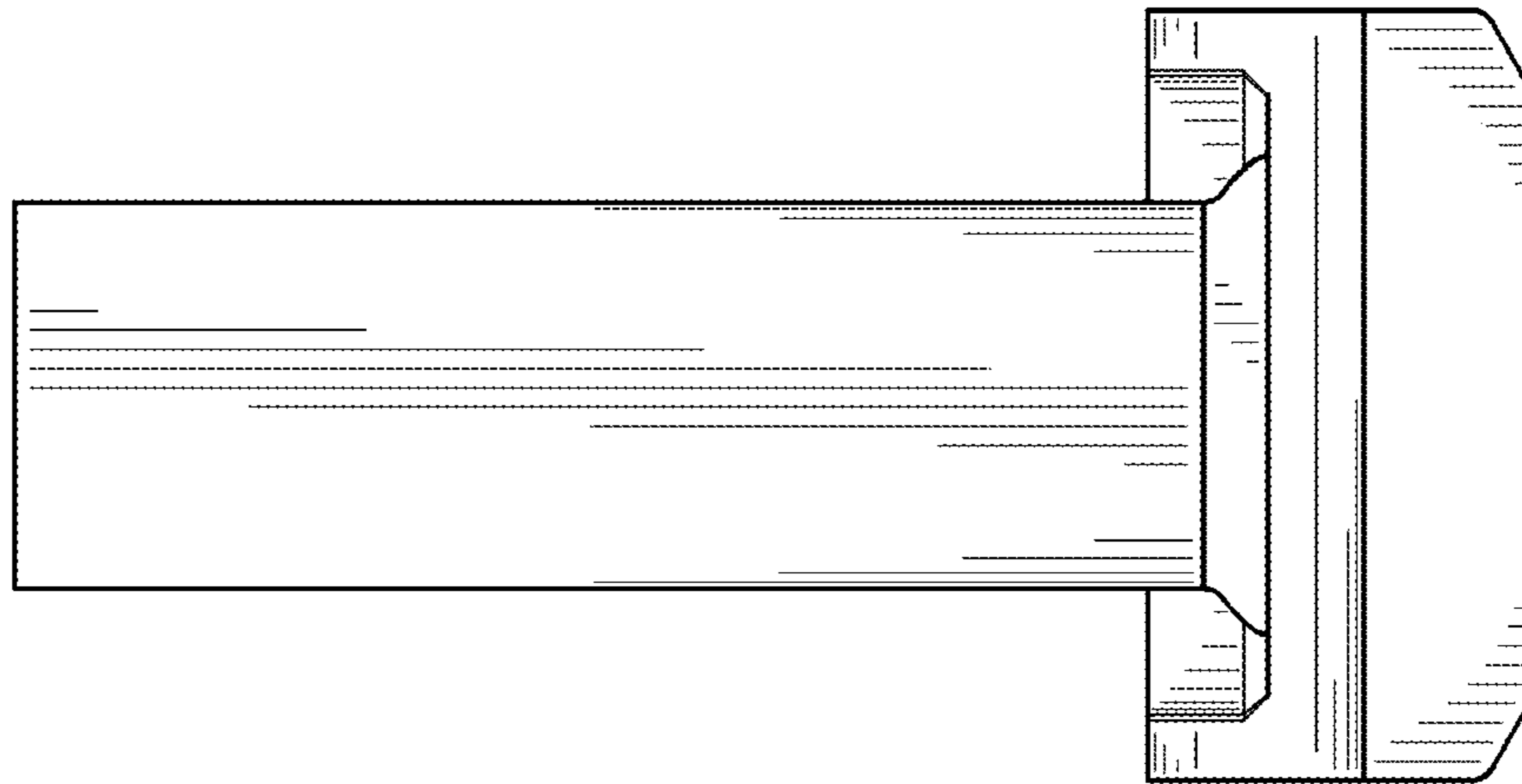


Fig. 7

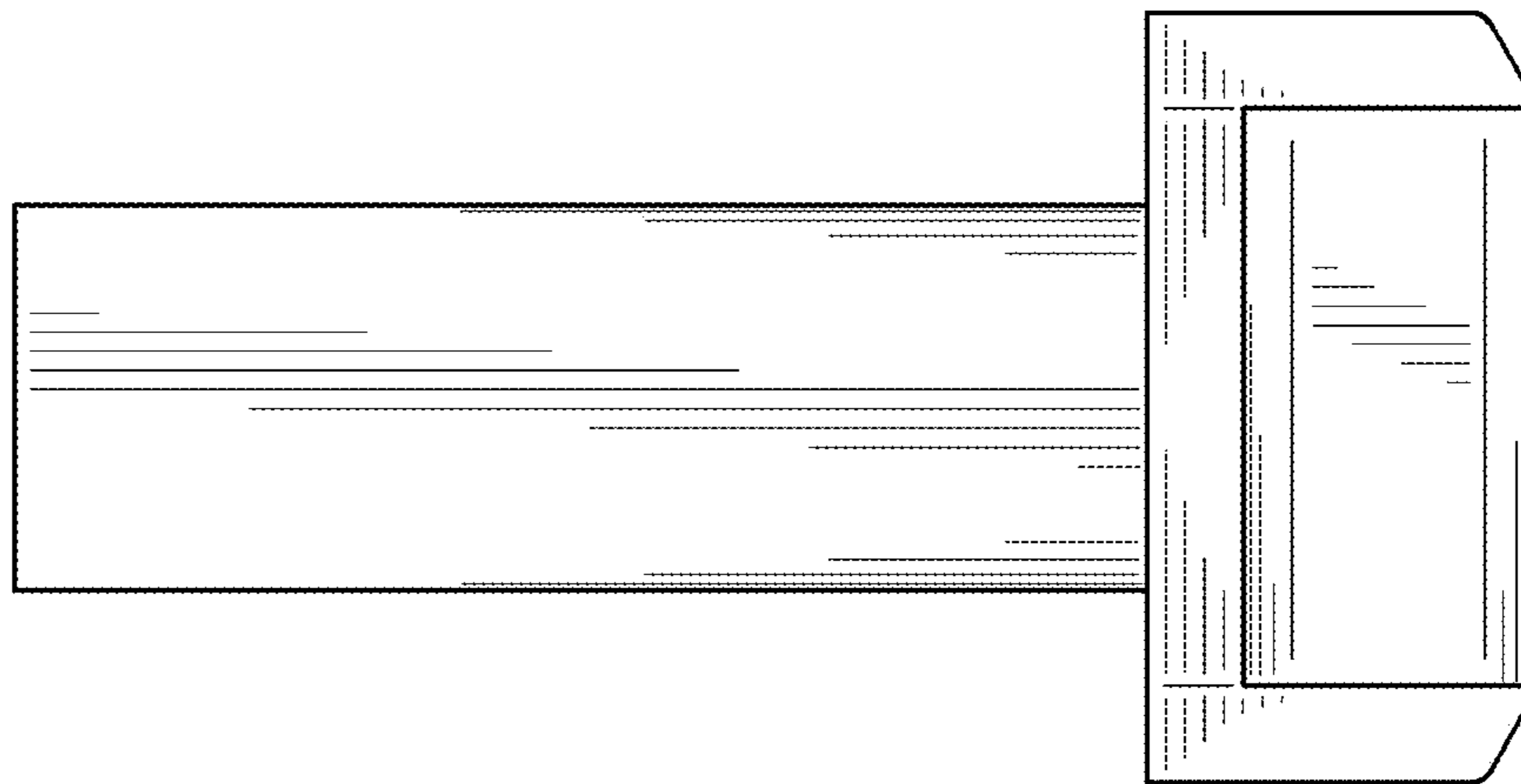


Fig. 8