



US00D924106S

(12) **United States Design Patent**
Hodges

(10) **Patent No.:** **US D924,106 S**

(45) **Date of Patent:** **** Jul. 6, 2021**

(54) **MOTORCYCLE FOOT PEG**

(71) Applicant: **Pro Moto Billet, Inc.**, Nampa, ID (US)

(72) Inventor: **Lynn Hodges**, Nampa, ID (US)

(73) Assignee: **Pro Moto Billet, Inc.**, Nampa, ID (US)

(**) Term: **15 Years**

(21) Appl. No.: **29/721,423**

(22) Filed: **Jan. 21, 2020**

(51) **LOC (13) Cl.** **12-11**

(52) **U.S. Cl.**
USPC **D12/114**

(58) **Field of Classification Search**
USPC D12/110, 111, 114, 115, 121, 125, 126,
D12/223

CPC . B60N 3/063; B62M 3/00; B62M 3/08; B62J
25/00; B62J 23/00; B62K 23/08

See application file for complete search history.

(56) **References Cited**

U.S. PATENT DOCUMENTS

D401,535 S *	11/1998	Joseph, Jr.	D12/114
D405,393 S *	2/1999	Stahel	D12/114
D485,790 S *	1/2004	Sprague	D12/114
D489,295 S *	5/2004	Wright	D12/114
D498,442 S *	11/2004	James	D12/114
D524,194 S *	7/2006	Claussen	D12/114
D560,562 S *	1/2008	Egan	D12/114
D568,215 S *	5/2008	James	D12/114
D753,554 S *	4/2016	Wood	D12/114
D758,255 S *	6/2016	Tsai	D12/125
D908,548 S *	1/2021	Liang	D12/125
2007/0289404 A1 *	12/2007	Smith	G05G 1/483 74/564

(Continued)

OTHER PUBLICATIONS

“IMS Pro-Series Foot Pegs” Rocky Mountain ATVMC., posted date
Jan. 25, 2019 [online], [retrieved on May 17, 2021], Retrieved from

the Internet <URL: <https://www.rockymountainatvmc.com/parts/ims-pro-series-foot-pegs-p>> (Year: 2019).*

(Continued)

Primary Examiner — Darlington Ly

Assistant Examiner — Nasim Abdulaziz Ali

(74) *Attorney, Agent, or Firm* — The Noblitt Group,
PLLC

(57) **CLAIM**

The ornamental design for a motorcycle foot peg, as shown
and described.

DESCRIPTION

FIG. 1 is a front perspective view of a motorcycle foot peg
intended as the left side embodiment for the left side of a
motorcycle;

FIG. 2 is a front elevation view thereof;

FIG. 3 is a rear elevation view thereof;

FIG. 4 is a right side elevation thereof;

FIG. 5 is a left side elevation view thereof;

FIG. 6 is a top plan view thereof;

FIG. 7 is a bottom plan view thereof; and

FIG. 8 is a bottom perspective view thereof.

FIG. 9 is a front perspective view of a motorcycle foot peg
intended as the right side embodiment for the right side of
a motorcycle;

FIG. 10 is a front elevation view thereof;

FIG. 11 is a rear elevation view thereof;

FIG. 12 is a right side elevation thereof;

FIG. 13 is a left side elevation view thereof;

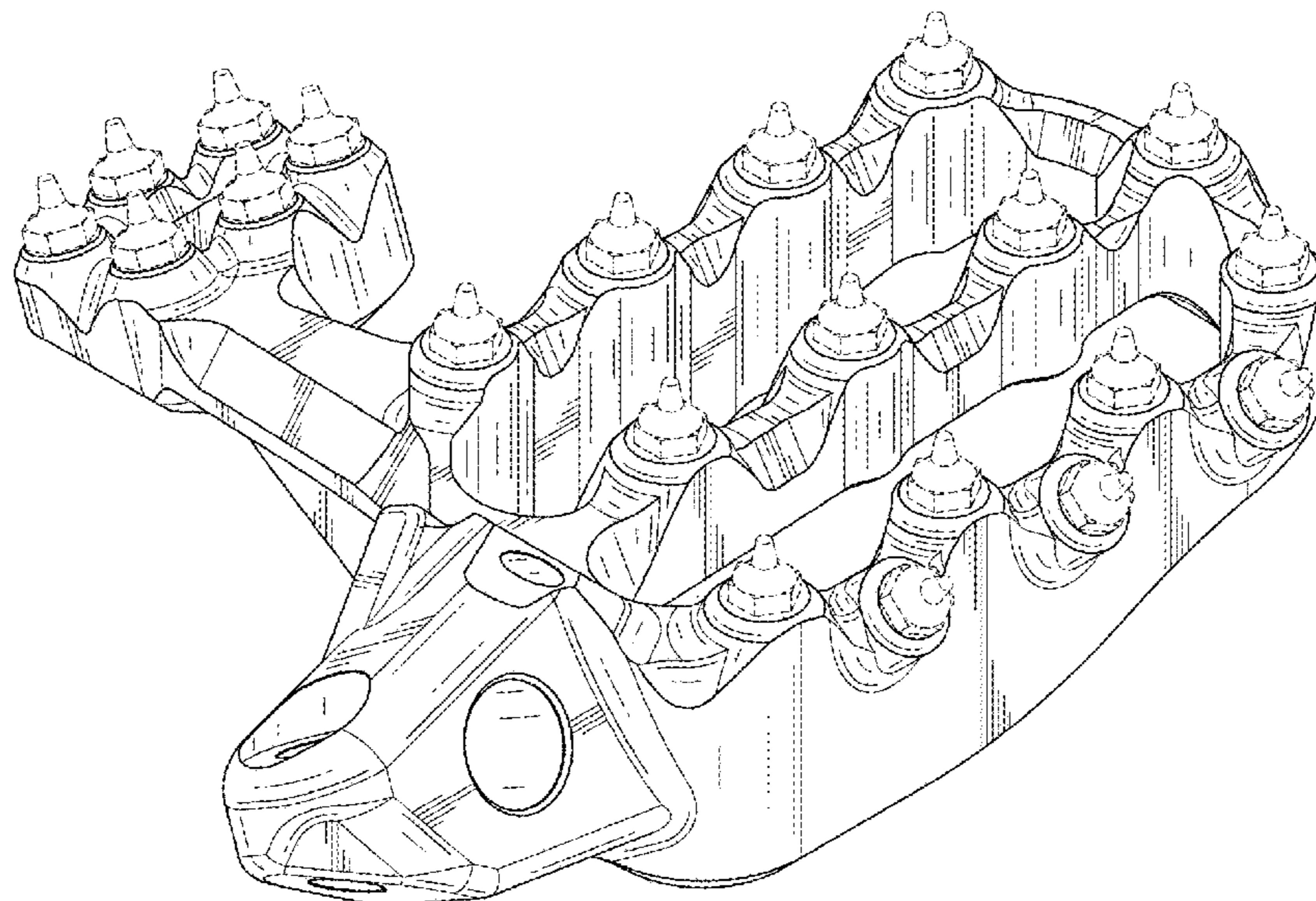
FIG. 14 is a top plan view thereof;

FIG. 15 is a bottom plan view thereof; and,

FIG. 16 is a bottom perspective view thereof.

The broken lines in the drawings illustrate portions of the
motorcycle foot peg that form no part of the claimed design.

1 Claim, 12 Drawing Sheets



(56)

References Cited

U.S. PATENT DOCUMENTS

2008/0179859 A1* 7/2008 Boehmke B62J 25/00
280/291
2009/0008170 A1* 1/2009 Claussen B62J 25/00
180/90.6
2009/0108560 A1* 4/2009 Mountz B62J 25/00
280/291
2012/0091687 A1* 4/2012 Crain B62M 3/08
280/291
2018/0099716 A1* 4/2018 Hon B62J 25/00

OTHER PUBLICATIONS

“Joker Machine Adjustable Serrated Foot Pegs For Harley” Cycle Gear., posted date Dec. 23, 2016 [online], [retrieved on May 17, 2021]. Retrieved from the Internet <URL: <https://www.cyclegear.com/parts/joker-machine-adjustable-serrated-foot-pegs-for-harley>> (Year: 2016).*

“Hopider CNC Wide Foot Pegs” Hopider., posted date May 23, 2019 [online], [retrieved on May 17, 2021]. Retrieved from the Internet <URL: https://www.amazon.com/Hopider-Roating-Chopper-Bobber-Sportster/dp/B07S641RPG/ref=sr_1_7?dchild=1&keywords=motorcycle+foot+pegs&qid=1621277795&s=automotive&sr=1-7> (Year: 2019).*

* cited by examiner

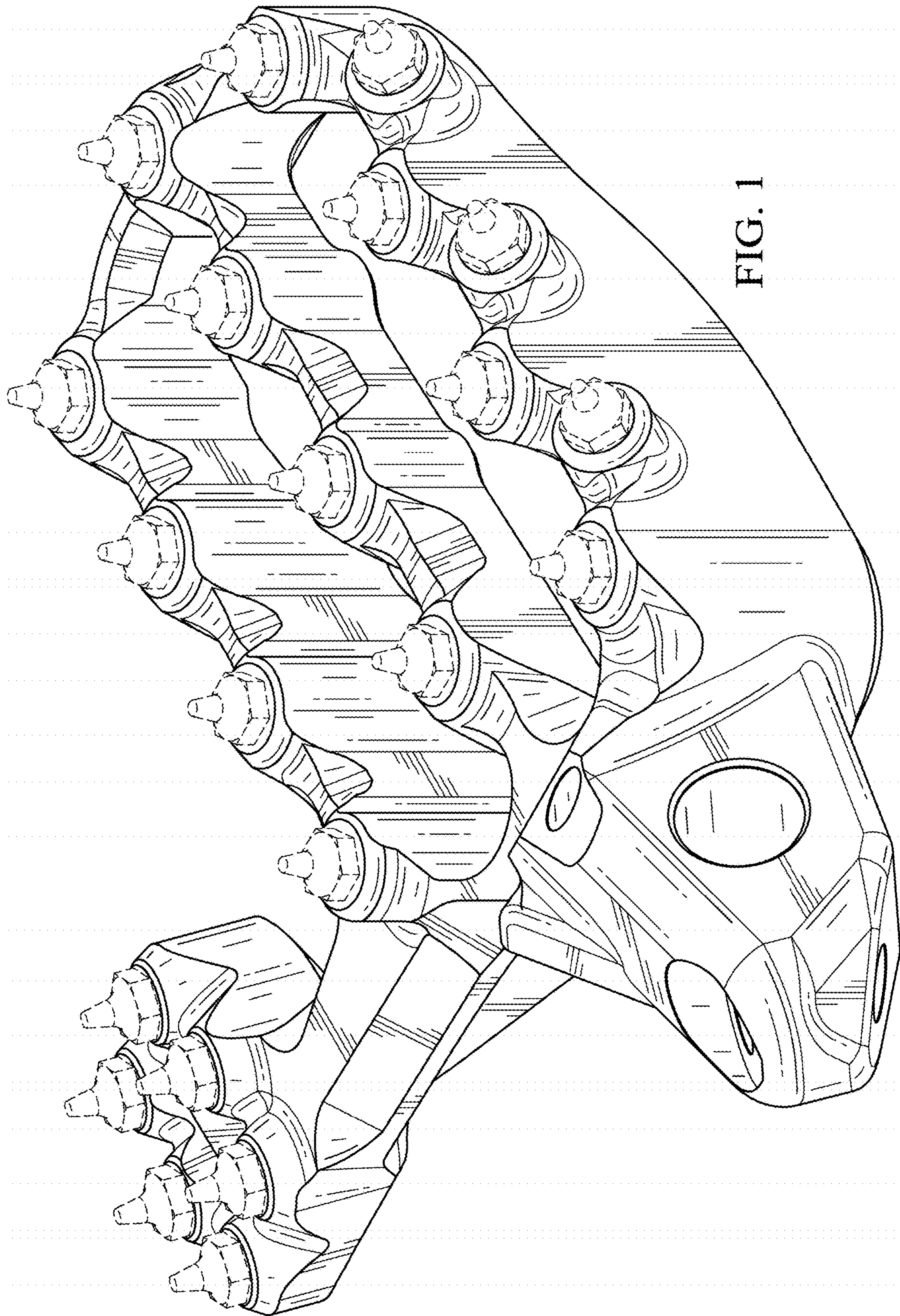


FIG. 1

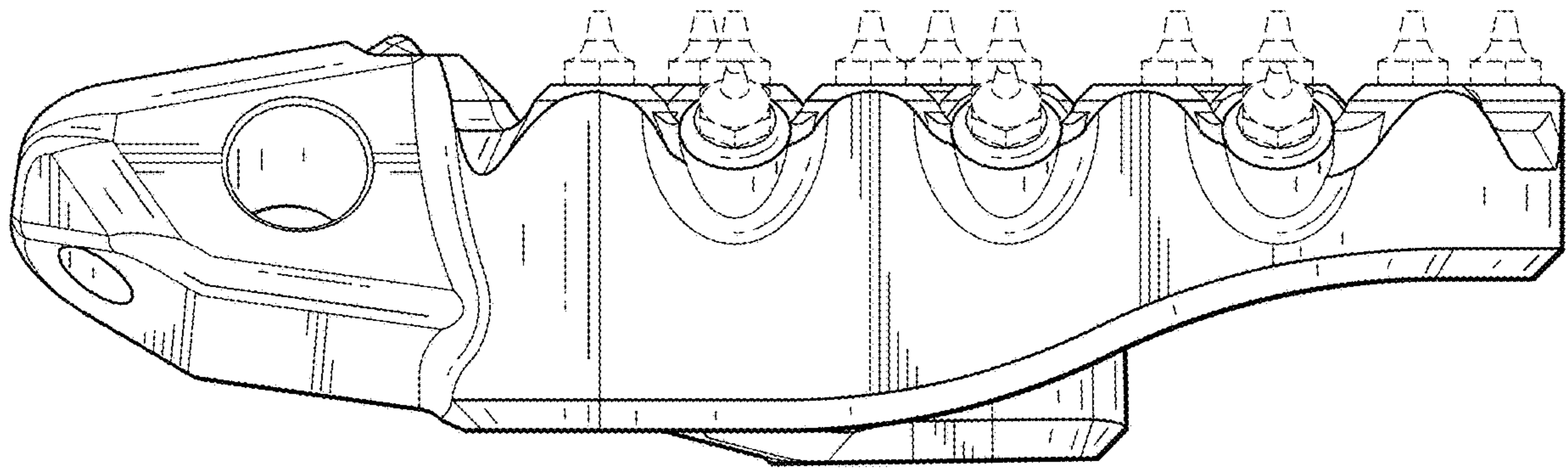


FIG. 2

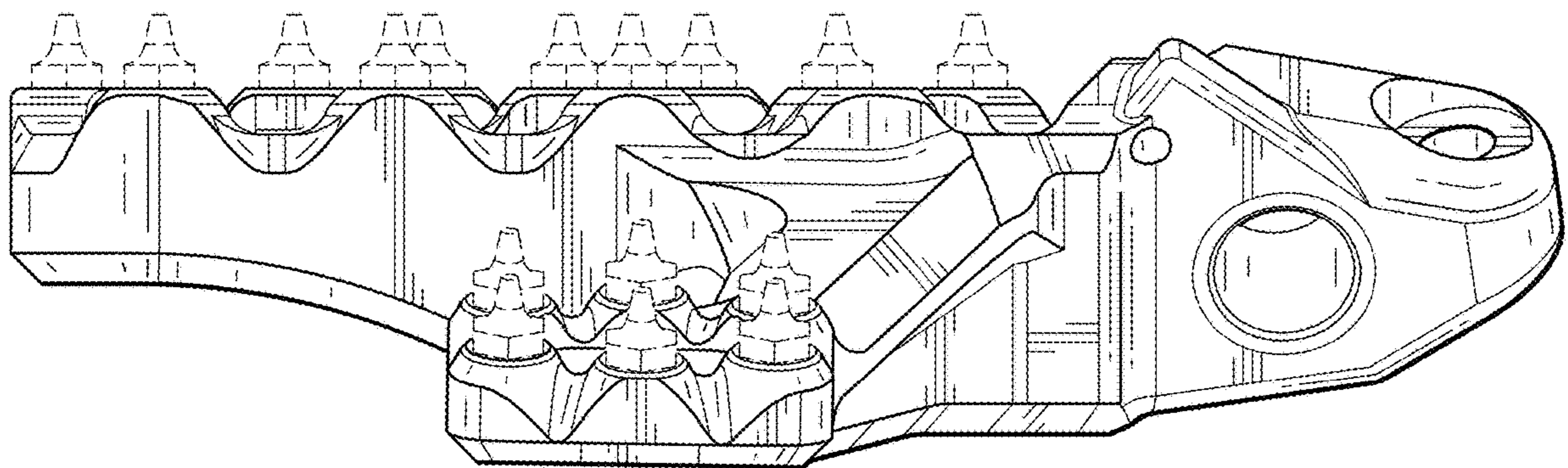


FIG. 3

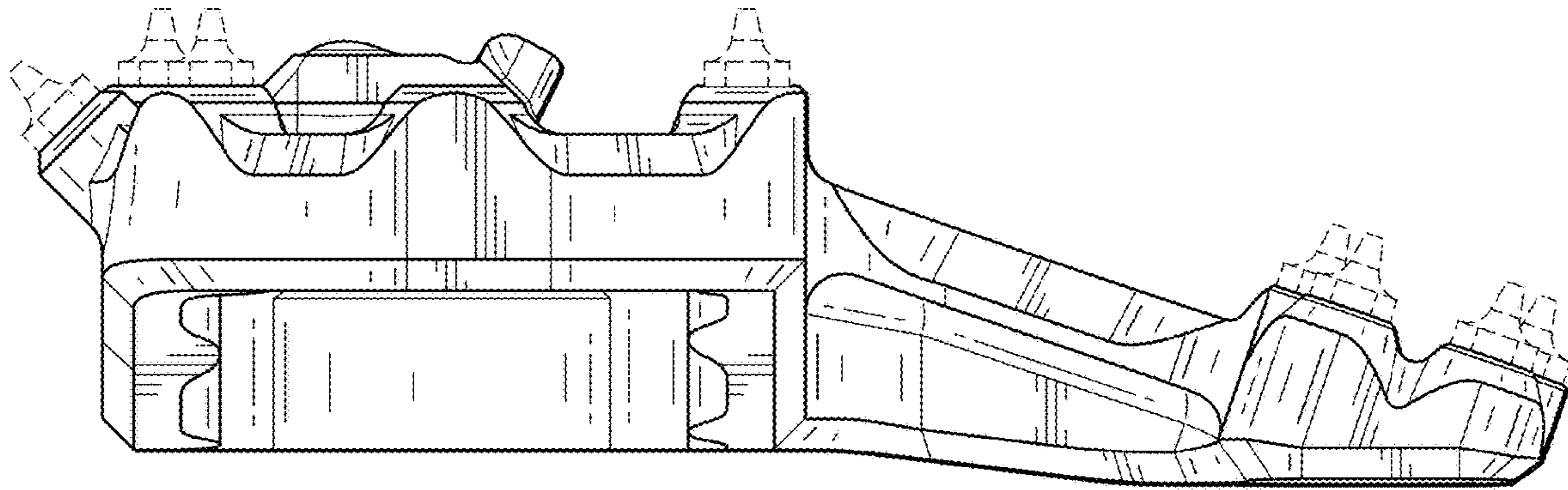


FIG. 4

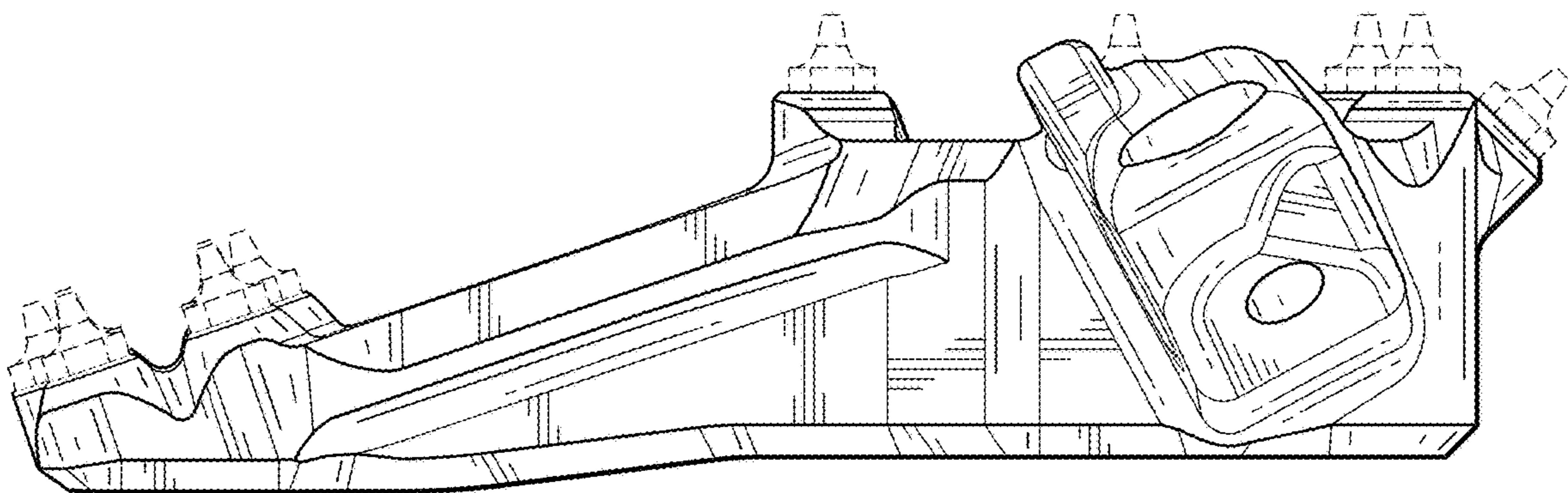


FIG. 5

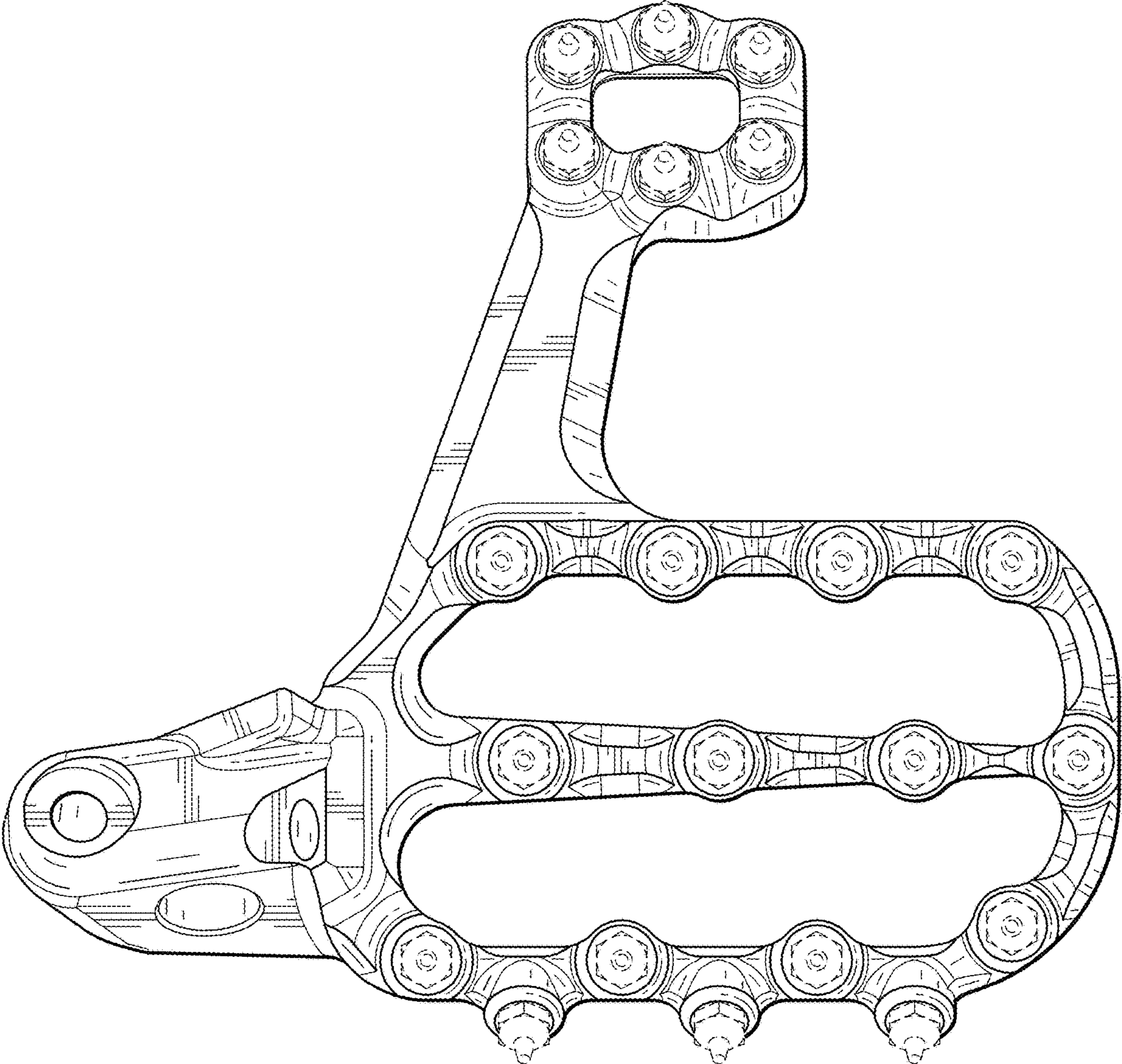


FIG. 6

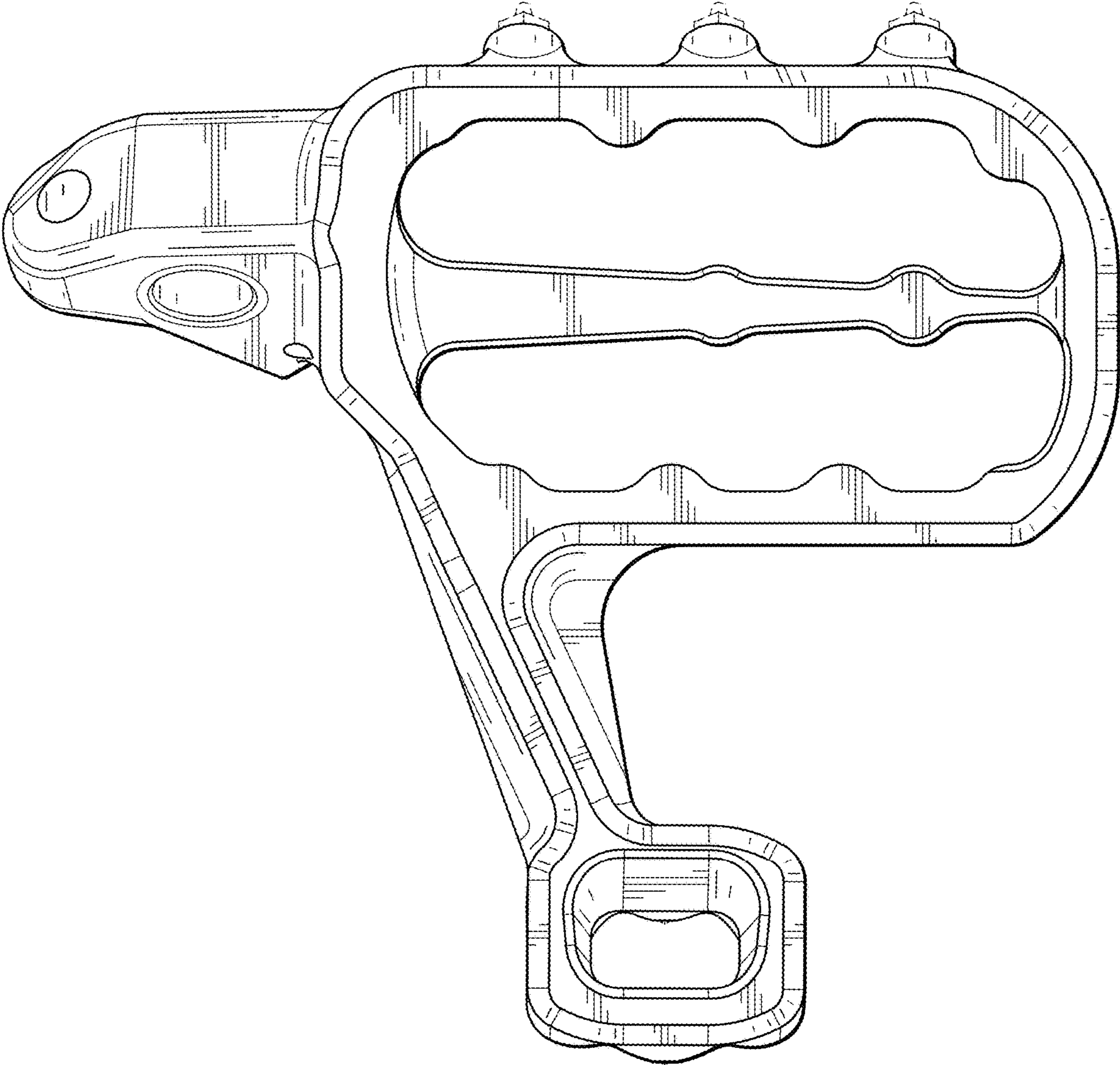


FIG. 7

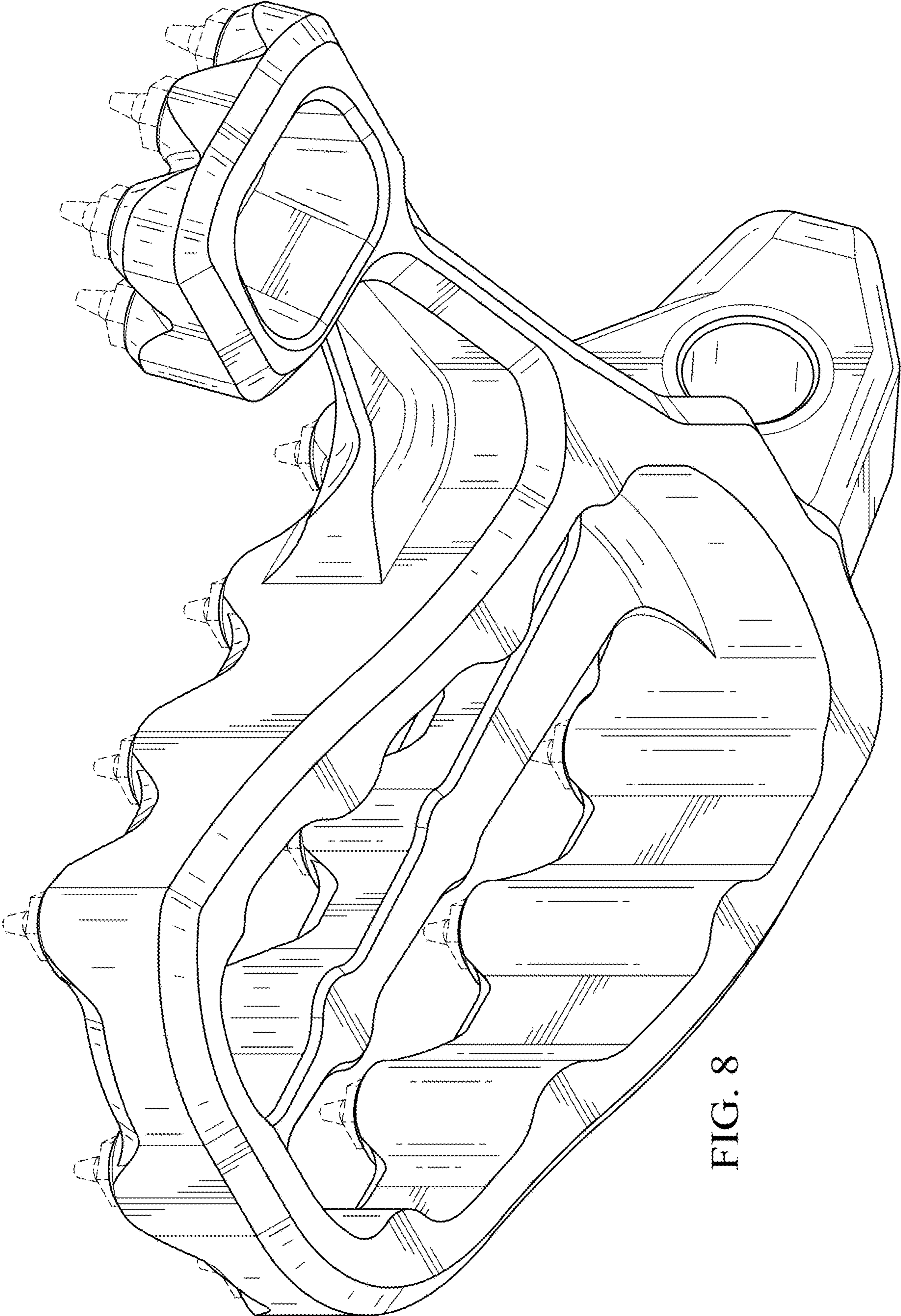


FIG. 8

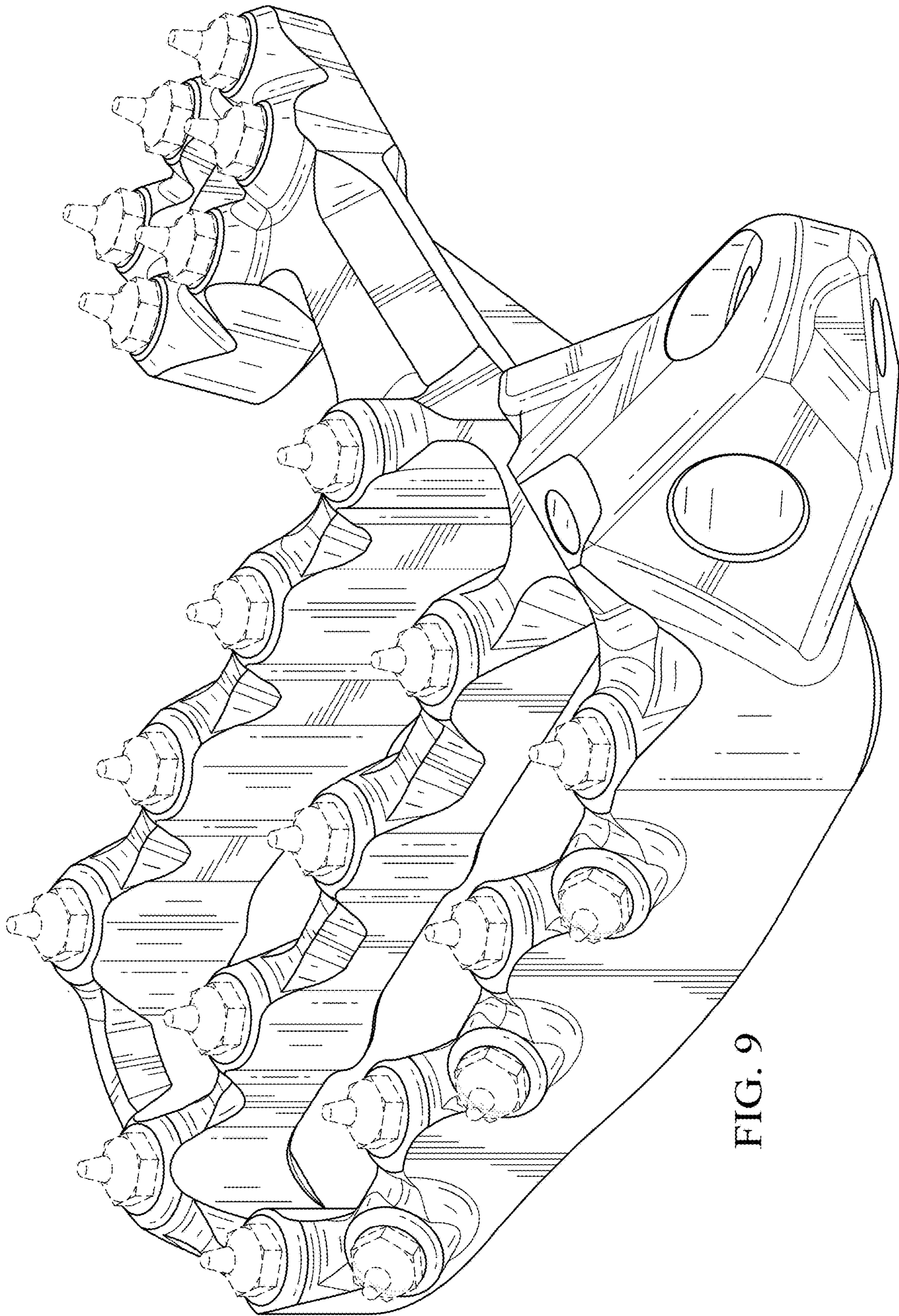


FIG. 9

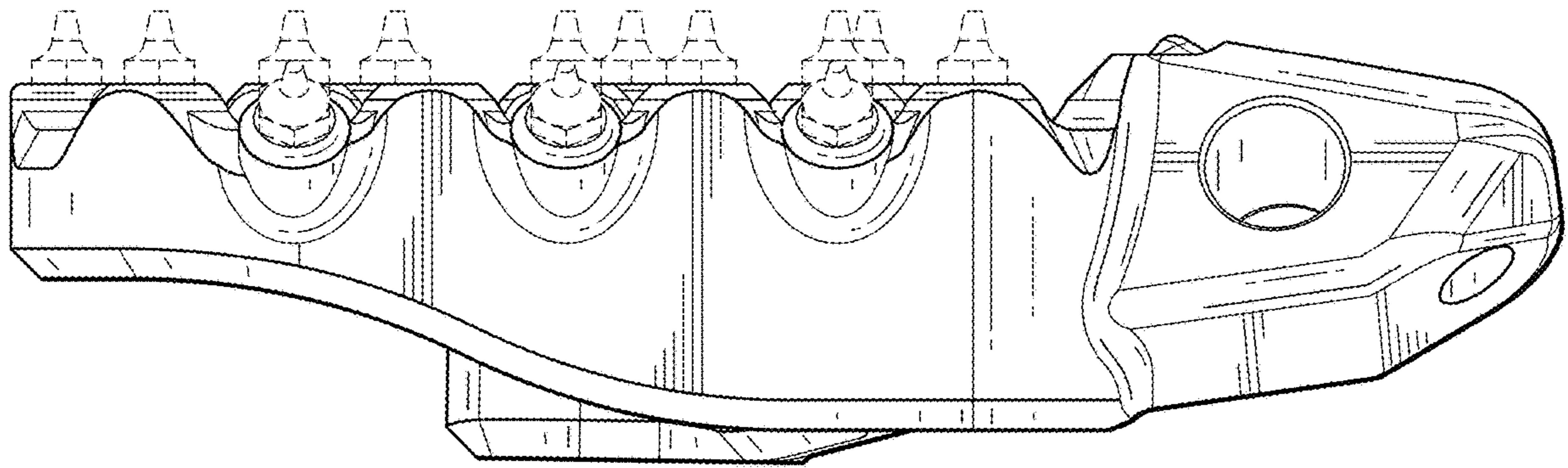


FIG. 10

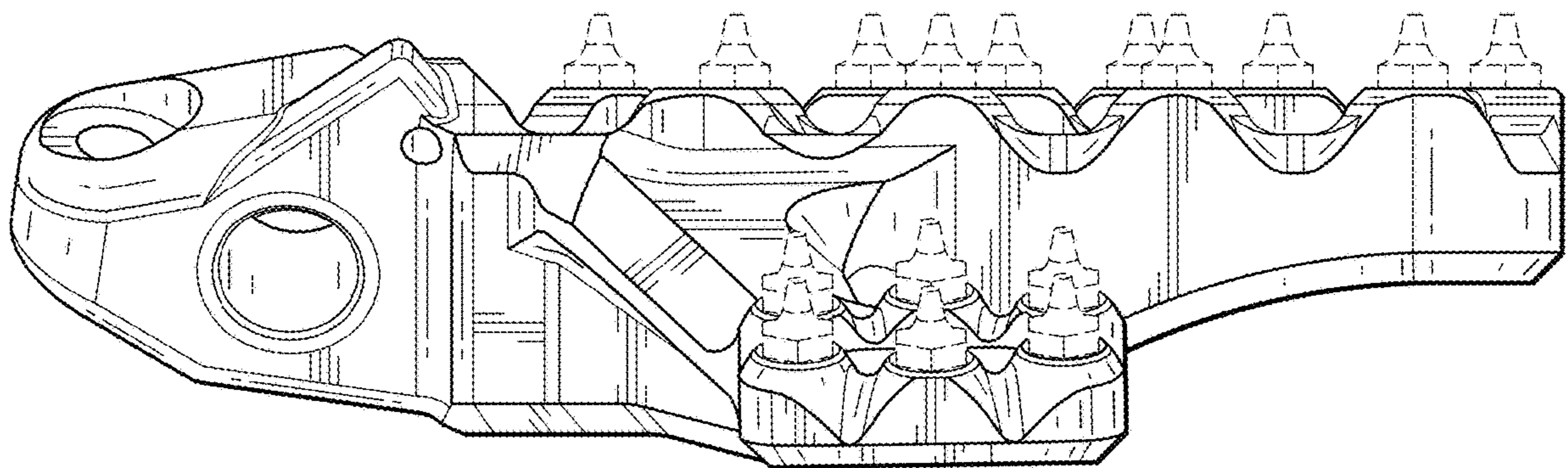


FIG. 11

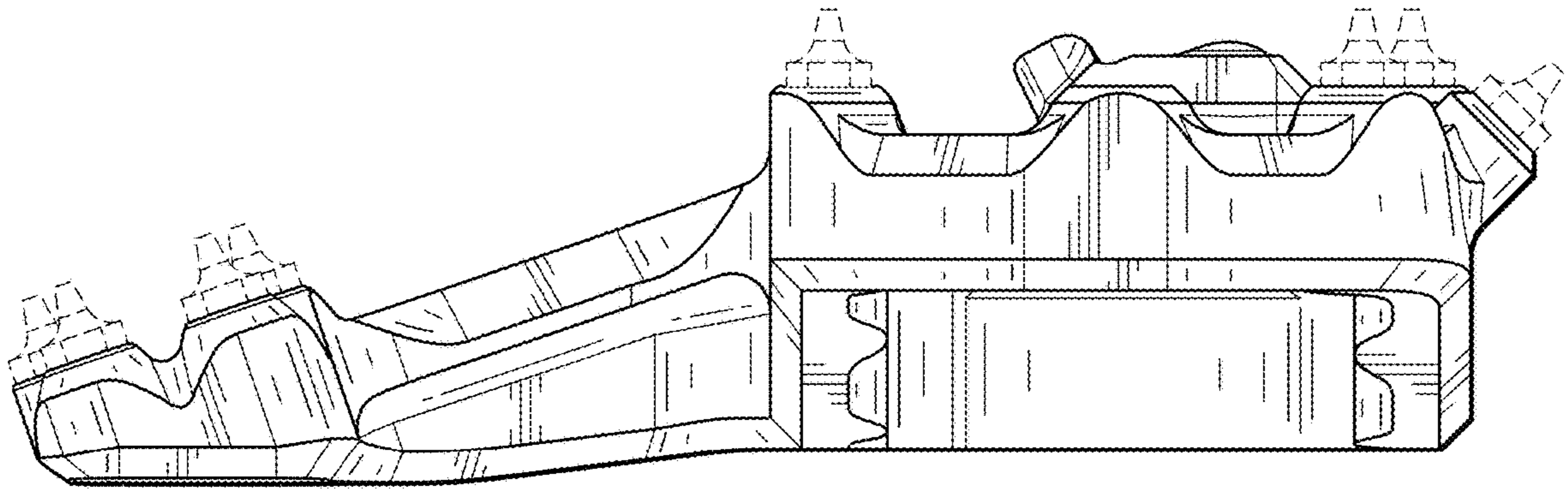


FIG. 12

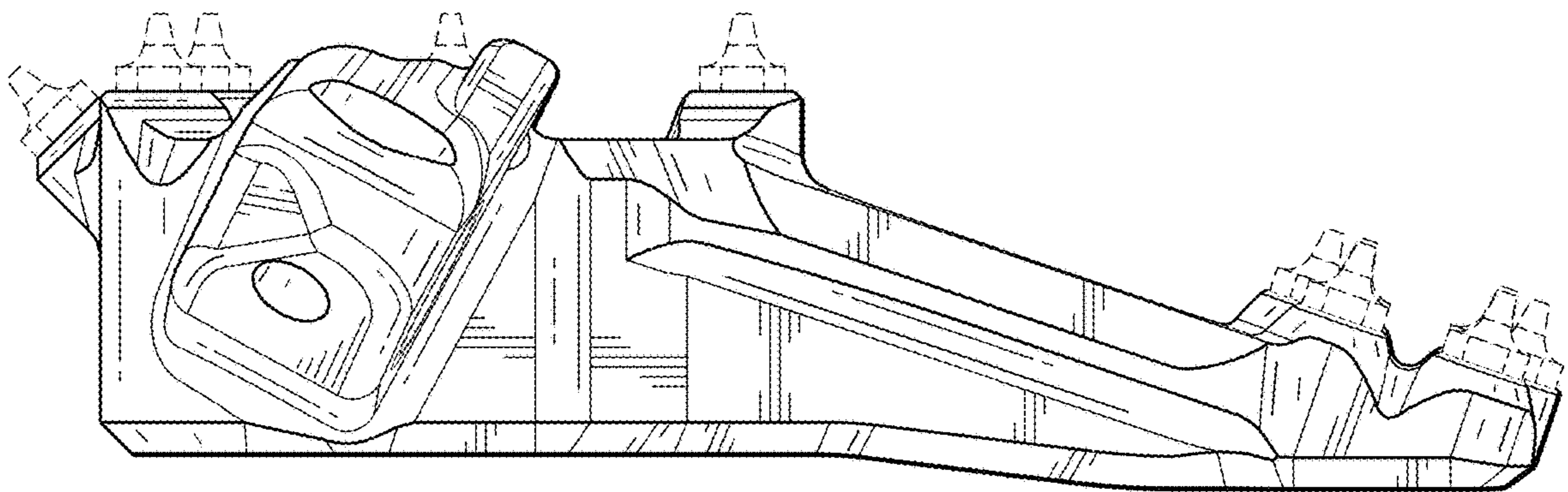


FIG. 13

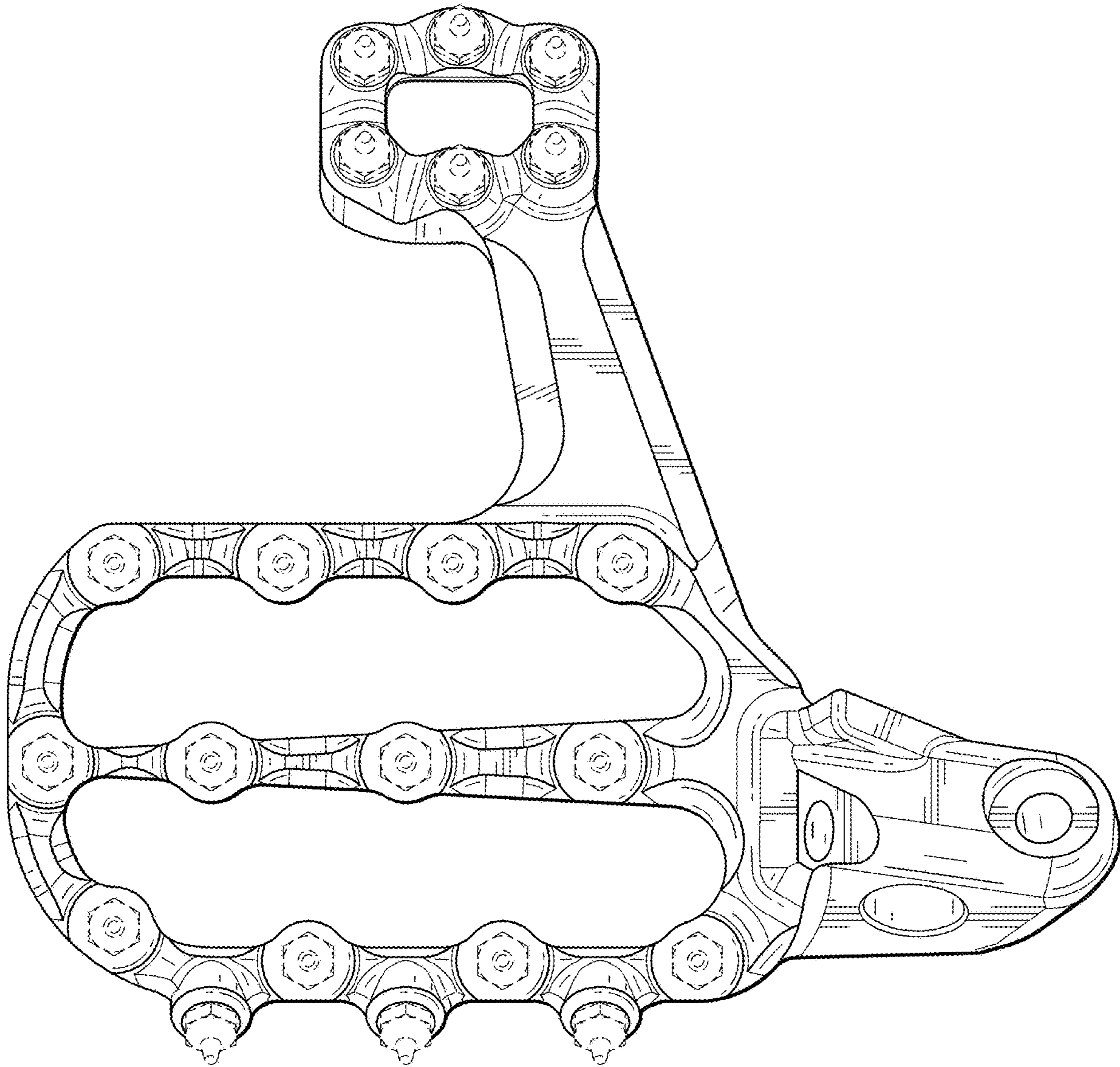


FIG. 14

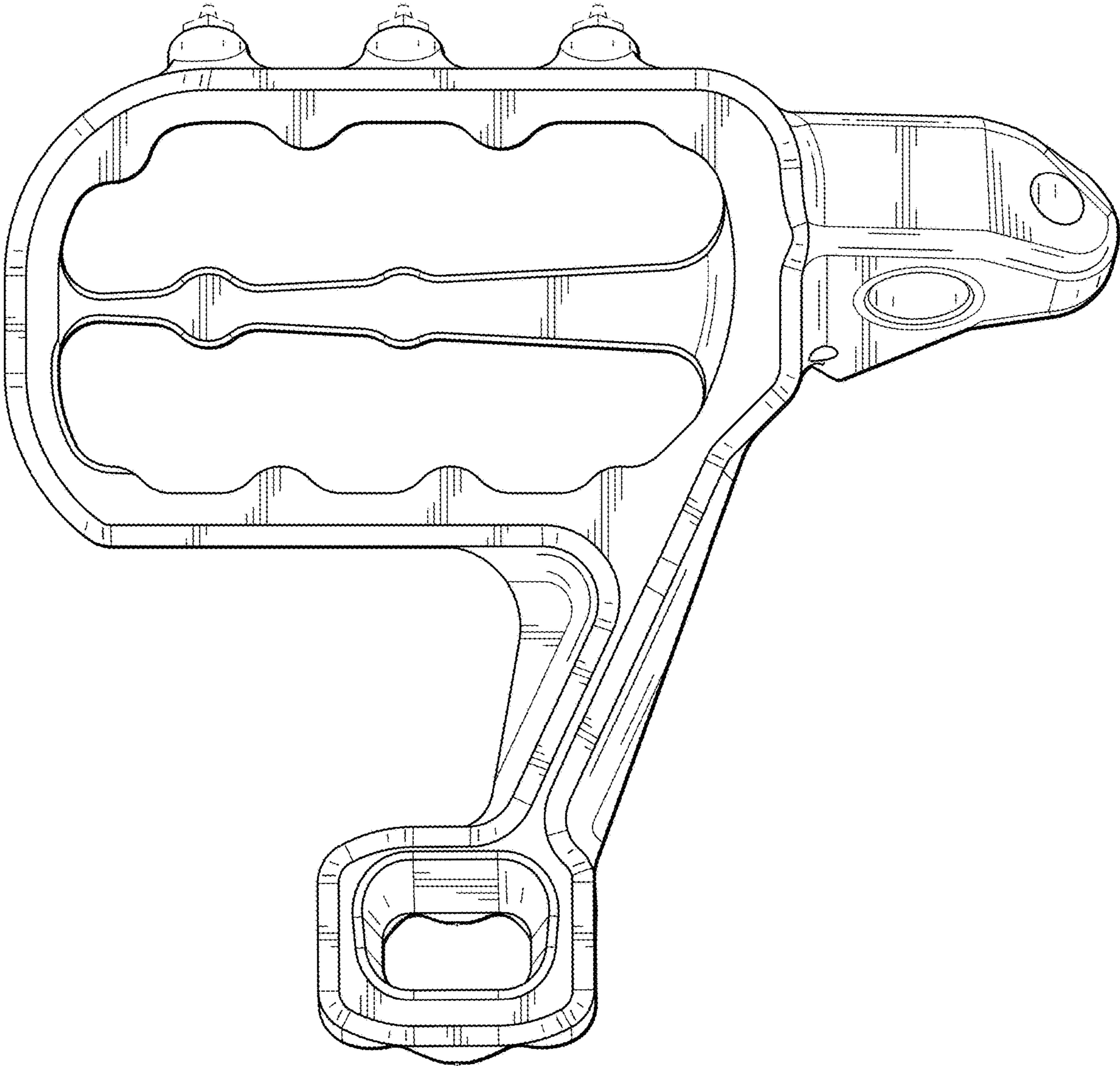


FIG. 15

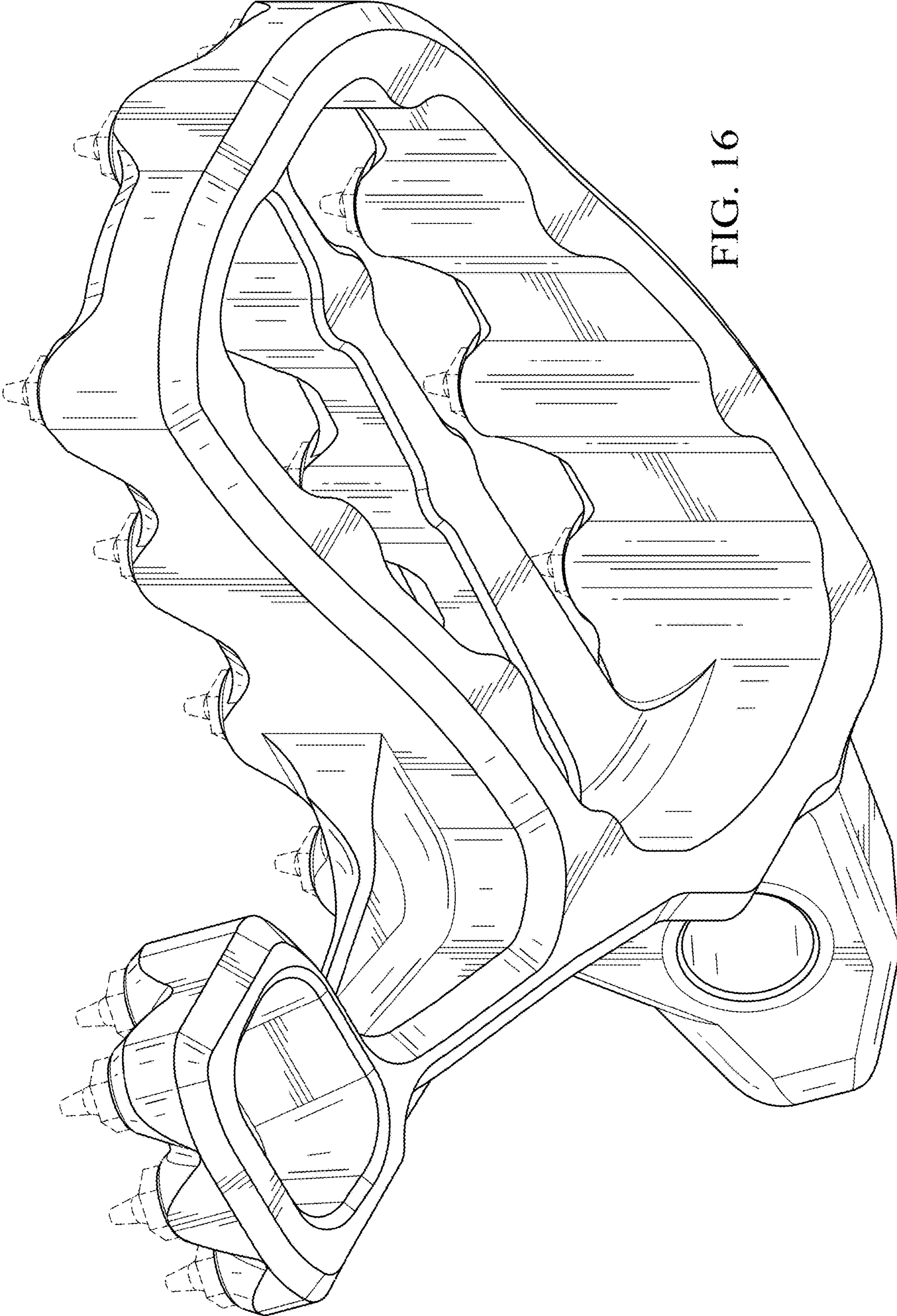


FIG. 16