

US00D924105S

(12) **United States Design Patent**
Tung

(10) **Patent No.:** **US D924,105 S**

(45) **Date of Patent:** **** Jul. 6, 2021**

(54) **BIKE CANOPY**

(71) Applicant: **Kelly Hui-Chin Tung**, Cupertino, CA (US)

(72) Inventor: **Kelly Hui-Chin Tung**, Cupertino, CA (US)

(**) Term: **15 Years**

(21) Appl. No.: **29/716,725**

(22) Filed: **Dec. 11, 2019**

(51) **LOC (13) Cl.** **12-11**

(52) **U.S. Cl.**
USPC **D12/114**

(58) **Field of Classification Search**
USPC D12/107, 111, 114, 122-127, 400-406
CPC F16H 7/06; F16H 55/30; F16H 55/303;
F16H 55/12; B62M 9/105

See application file for complete search history.

(56) **References Cited**

U.S. PATENT DOCUMENTS

691,964	A *	1/1902	Olding	A45B 11/00 135/88.04
3,284,130	A *	11/1966	Michael	B62J 17/08 296/78.1
D245,903	S *	9/1977	Harris, Jr.	D12/402
4,830,037	A *	5/1989	Held	B62B 5/0013 135/88.09
5,975,614	A *	11/1999	McGrue	B62J 17/08 296/78.1
D686,560	S *	7/2013	Hamilton	D12/317
D729,126	S *	5/2015	Baron	D12/114
D729,127	S *	5/2015	Baron	D12/114
D732,460	S *	6/2015	Seneker	D12/403
D737,180	S *	8/2015	Gholston	D12/114
D748,562	S *	2/2016	Greenblatt	D12/402
D780,088	S *	2/2017	Gholston	D12/403
D800,025	S *	10/2017	Gholston	D12/114
2009/0160149	A1 *	6/2009	Roth	B62B 9/14 280/47.38

OTHER PUBLICATIONS

“Veltop Urban Light” Veltop., posted date Mar. 27, 2019 [online], [retrieved on May 6, 2021]. Retrieved from the Internet <URL: <https://www.veltop.eu/en/veltop-urban-light-rain-protection-bike-cyclist.html>> (Year: 2019).*

“1 Badass Canopy” 1 Badass Canopy., posted date Feb. 15, 2019 [online], [retrieved on May 6, 2021]. Retrieved from the Internet <URL: <https://1badasscanopy.com/>> (Year: 2019).*

“Adventure Canopies Kayak Sun Shade” Adventure Canopies., posted date Sep. 10, 2019 [online], [retrieved on May 6, 2021]. Retrieved from the Internet <URL: <https://tinyurl.com/vkfy7d52>> (Year: 2019).*

* cited by examiner

Primary Examiner — Darlington Ly

Assistant Examiner — Nasim Abdulaziz Ali

(57) **CLAIM**

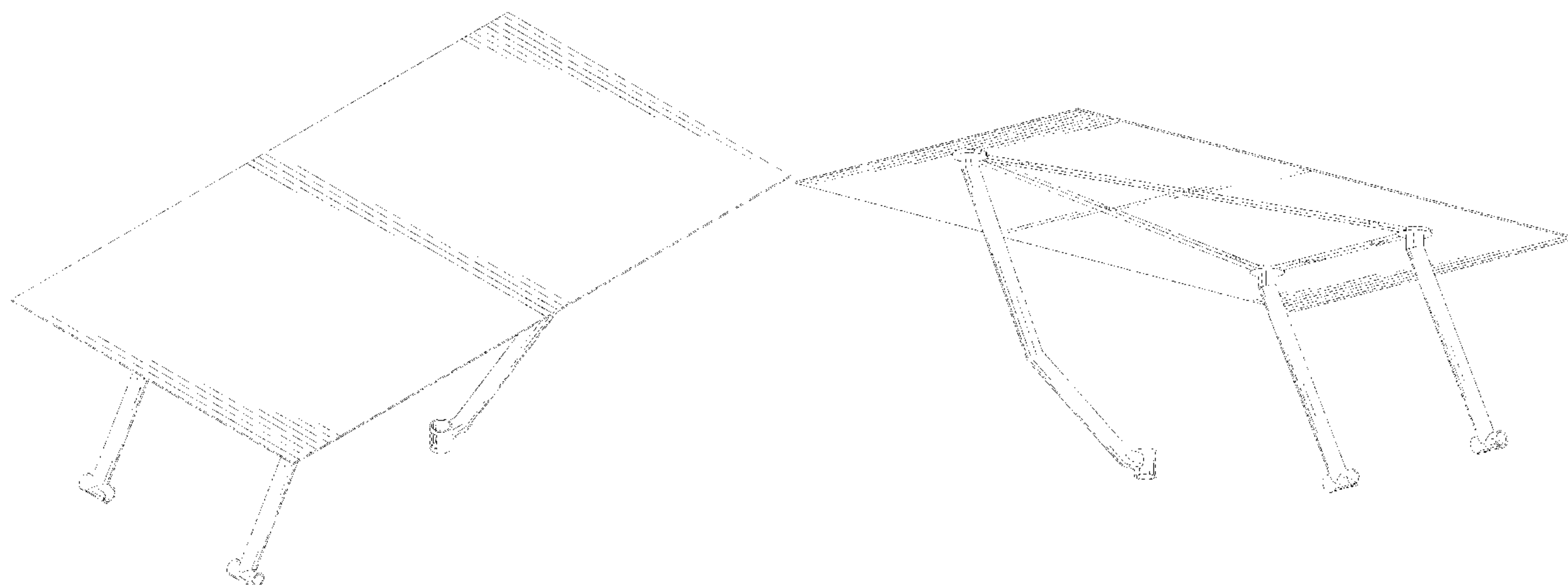
The ornamental design for a bike canopy, as shown and described.

DESCRIPTION

FIG. 1 is a front top left perspective view of a bike canopy; FIG. 2 is a rear top right perspective view thereof; FIG. 3 is a front elevational view thereof; FIG. 4 is a rear elevational view thereof; FIG. 5 is a top plan view thereof; FIG. 6 is a bottom plan view thereof; FIG. 7 is a right elevational view thereof; FIG. 8 is a left elevational view thereof; and, FIG. 9 is a front top left perspective view of the bike canopy in an alternate configuration, in which the bike canopy is attached to a bike.

The broken lines in FIG. 9 are included for the purpose of illustrating environmental structure and forms no part of the claimed design.

1 Claim, 9 Drawing Sheets



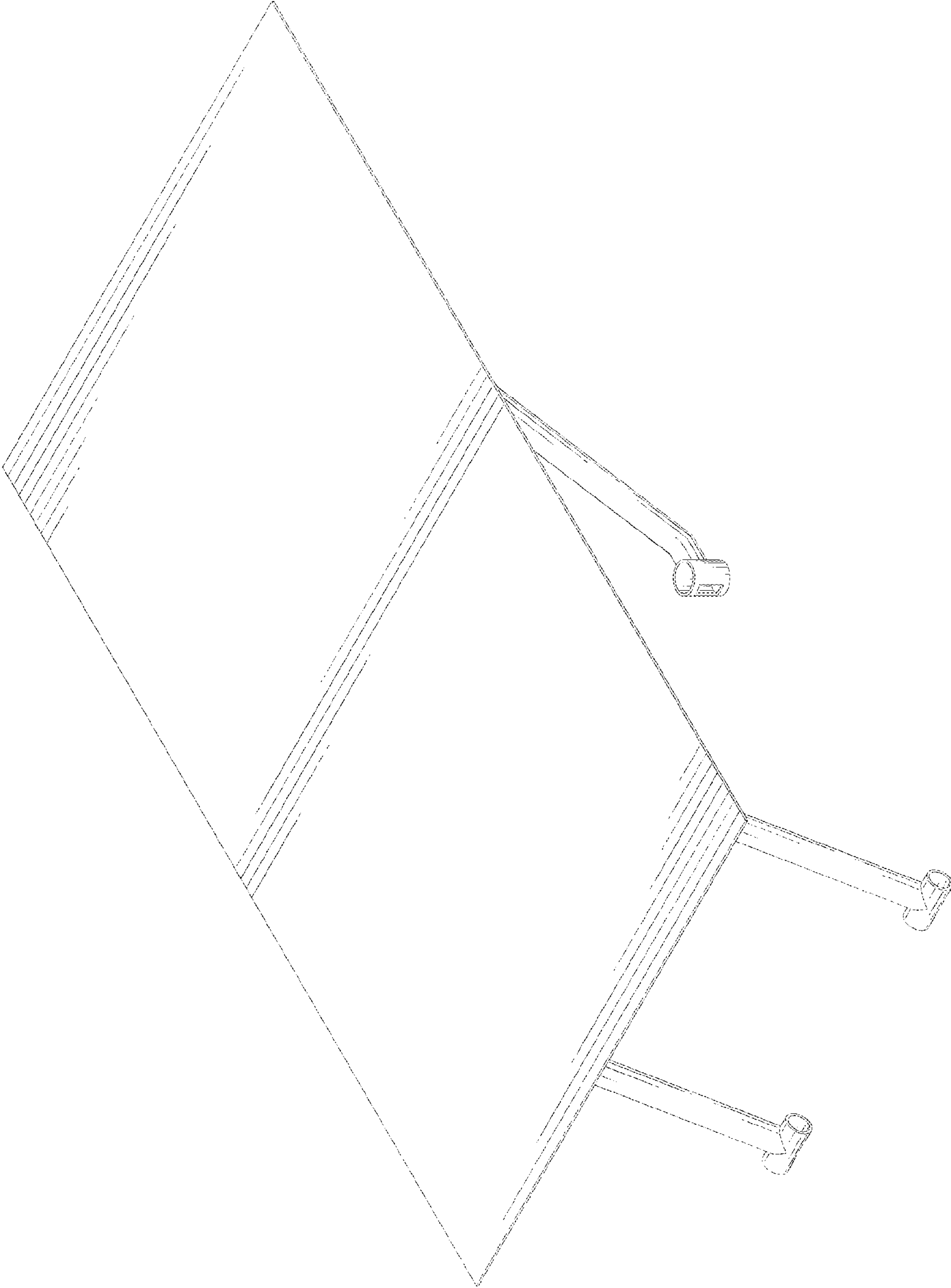


FIG. 1

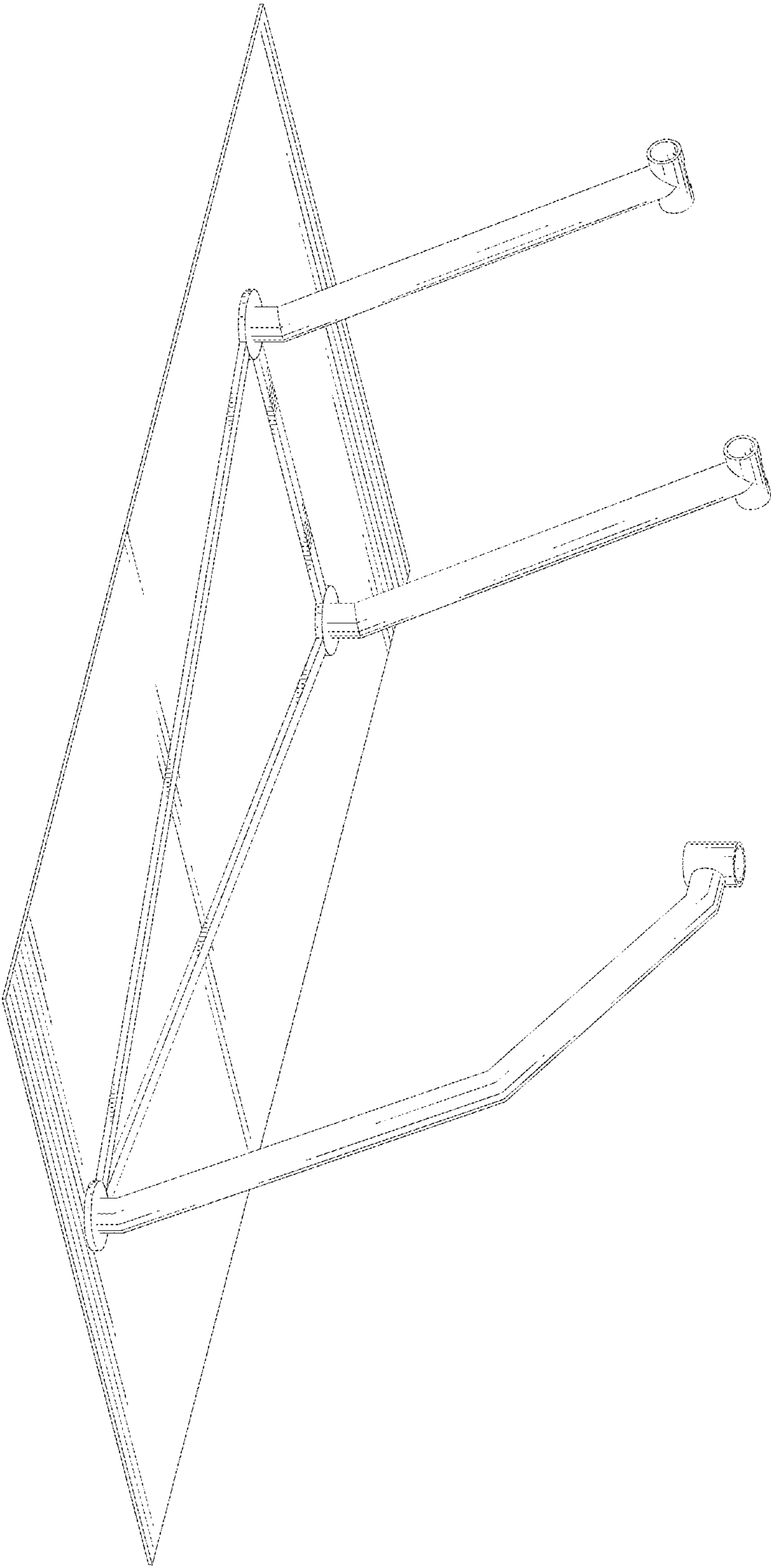


FIG. 2

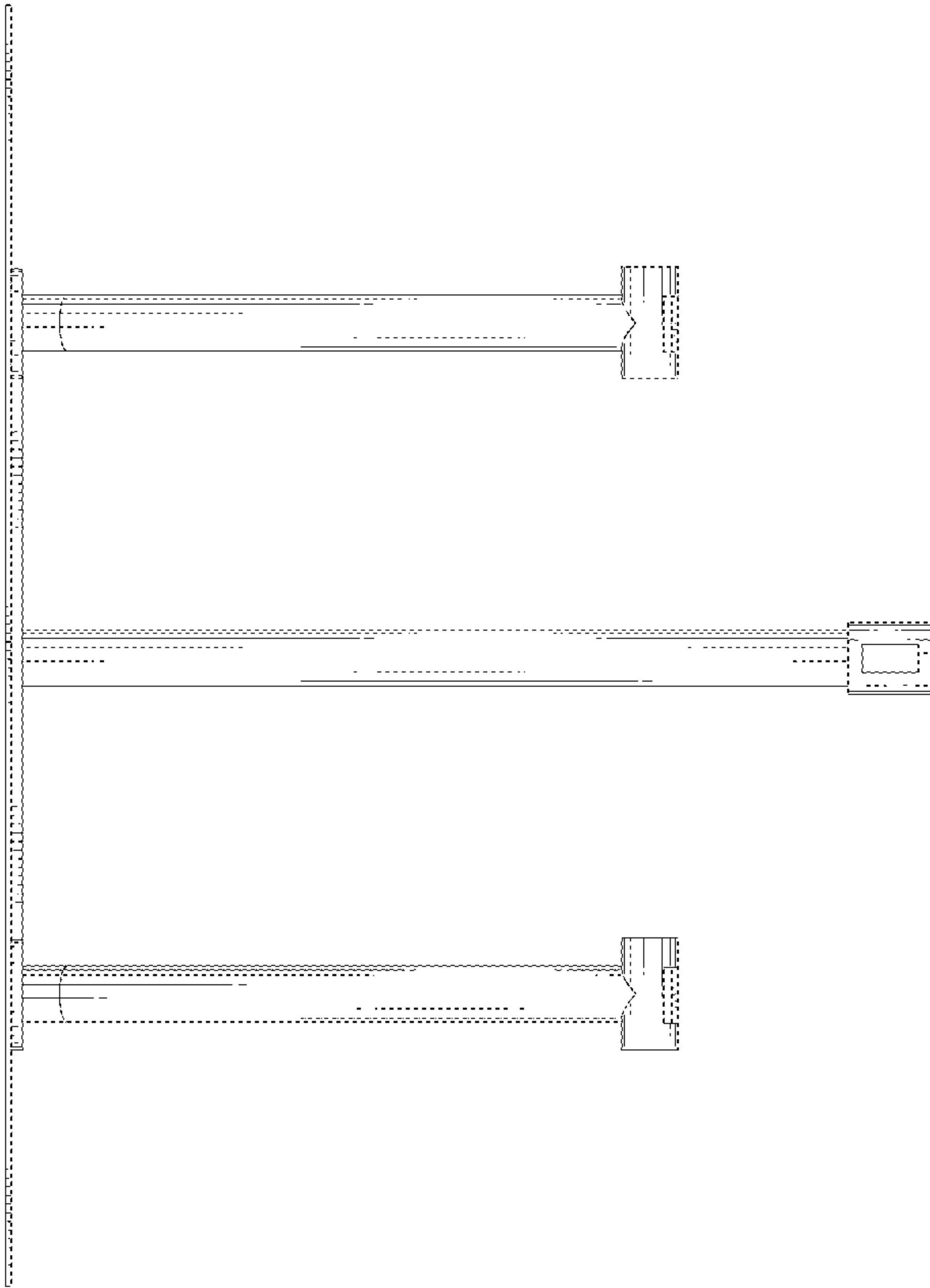


FIG. 3

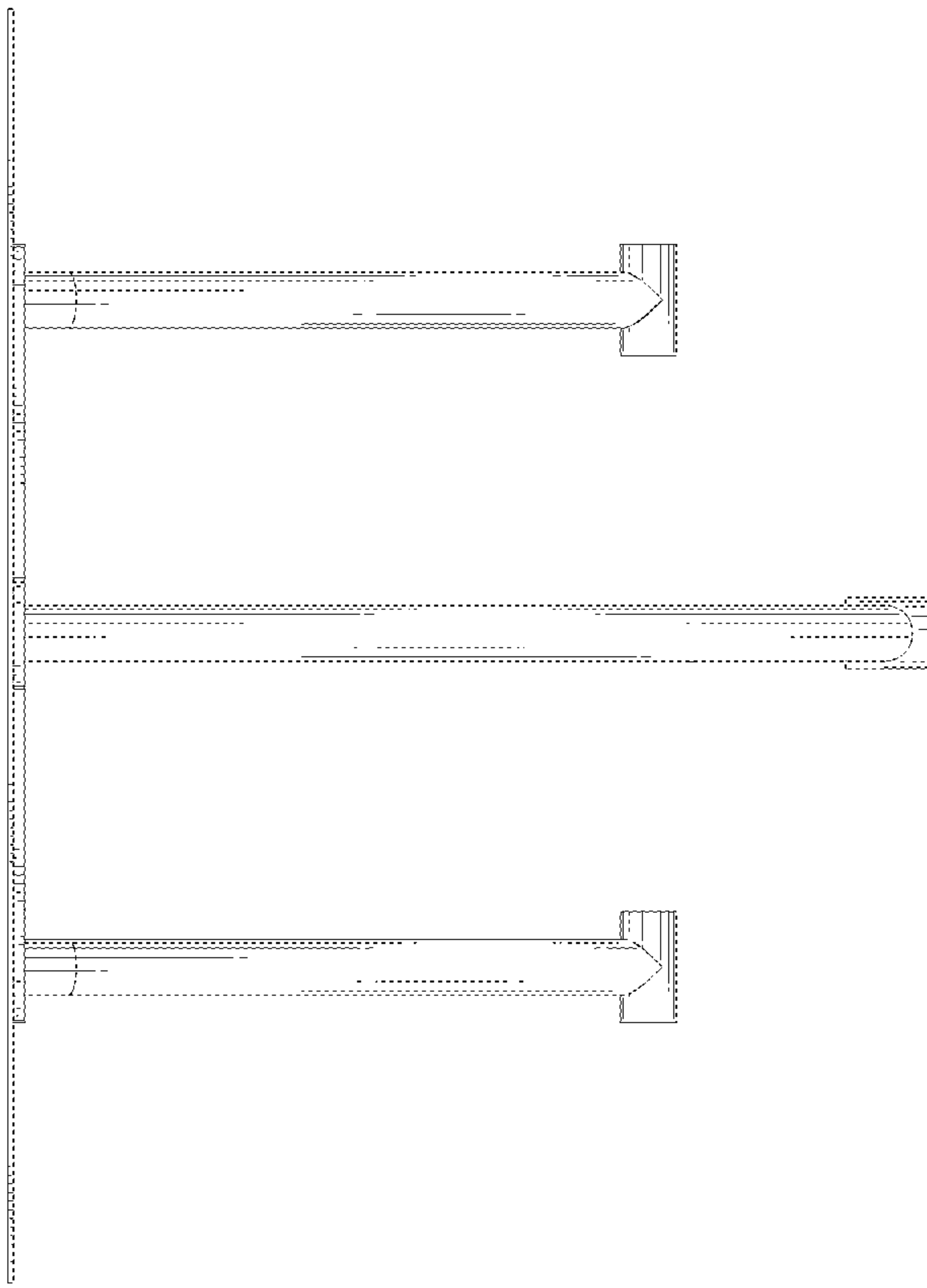


FIG. 4

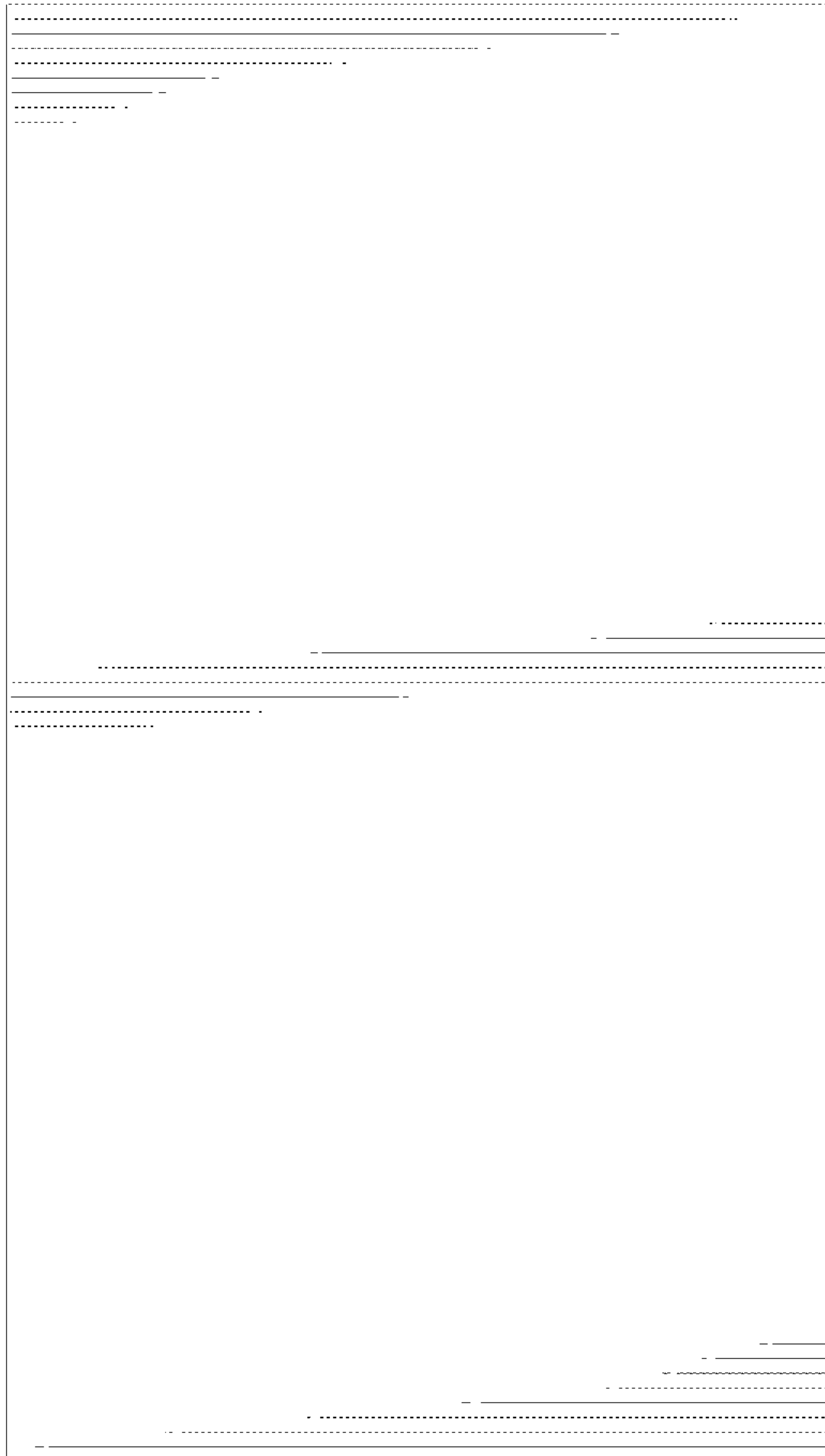


FIG. 5

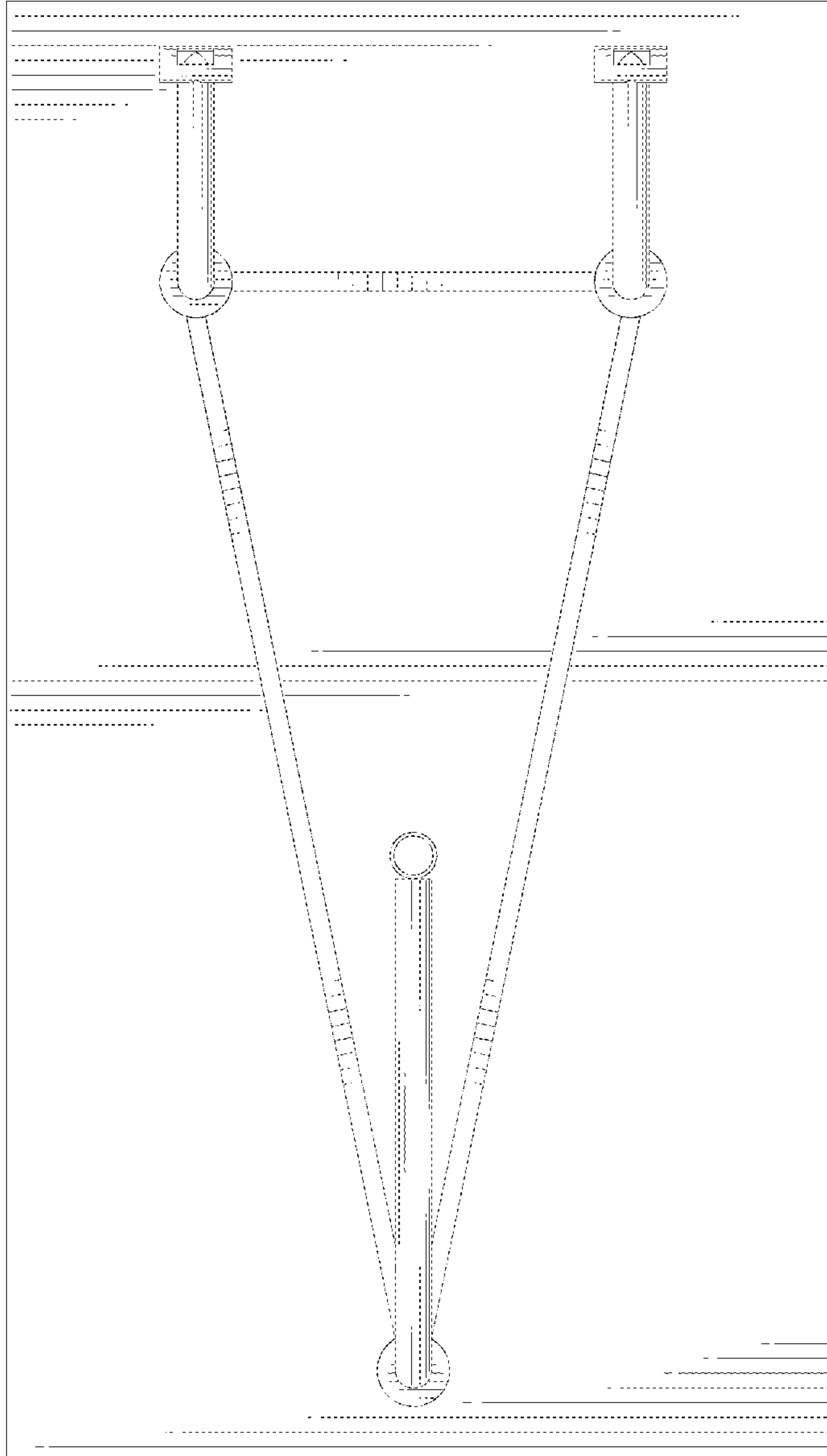


FIG. 6

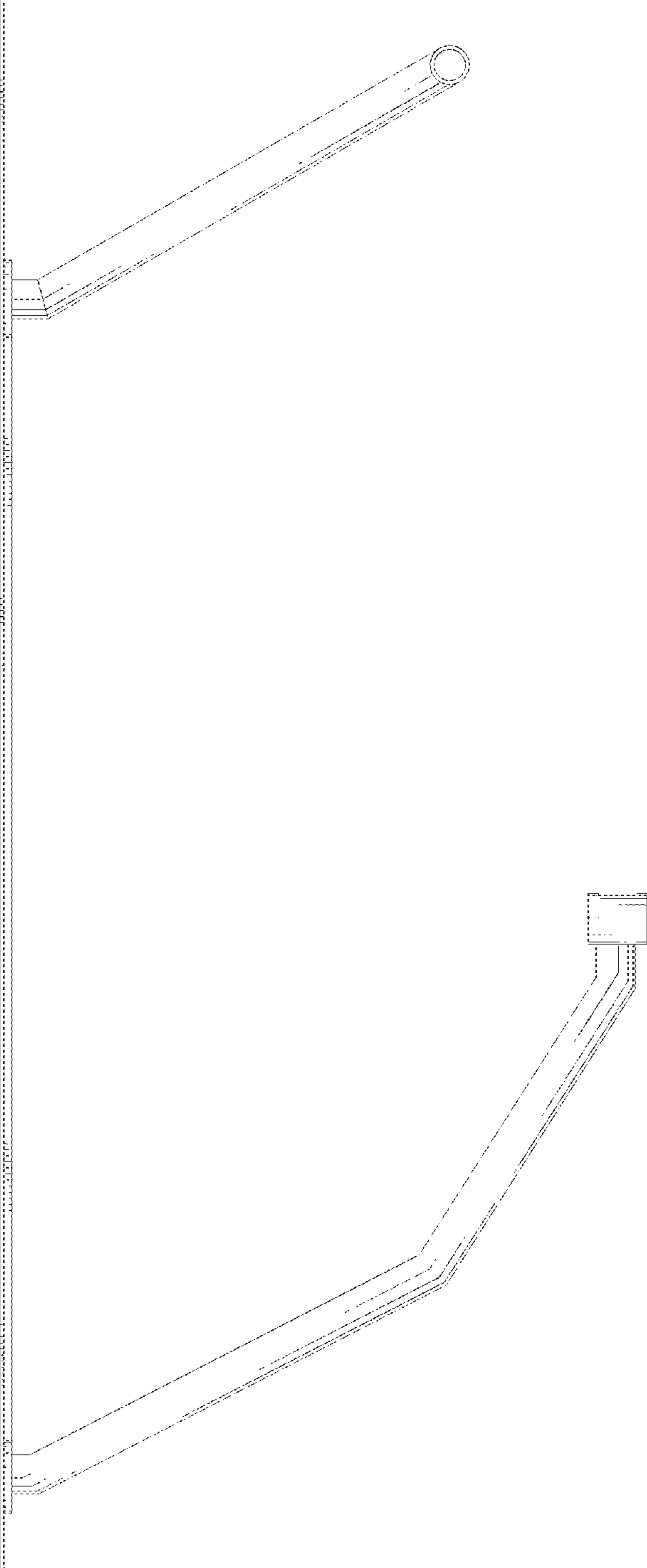


FIG. 7

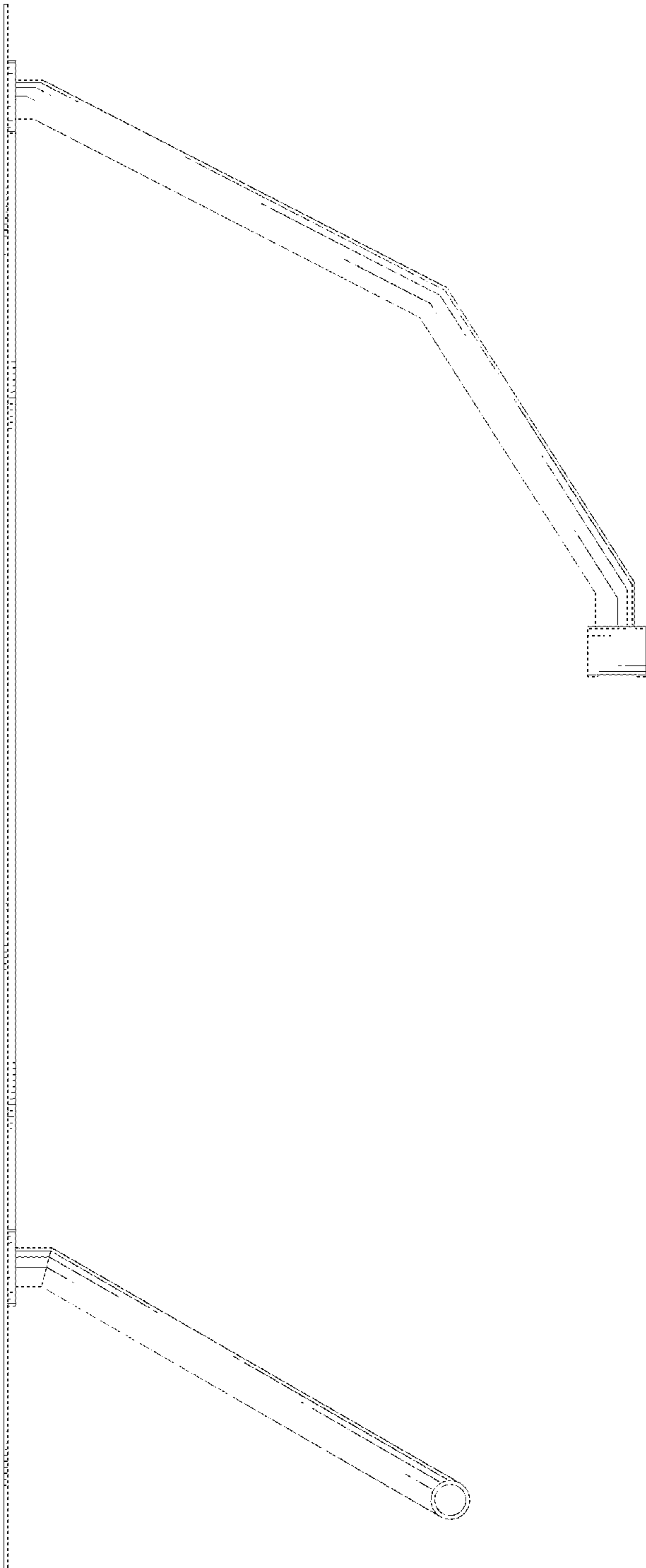


FIG. 8

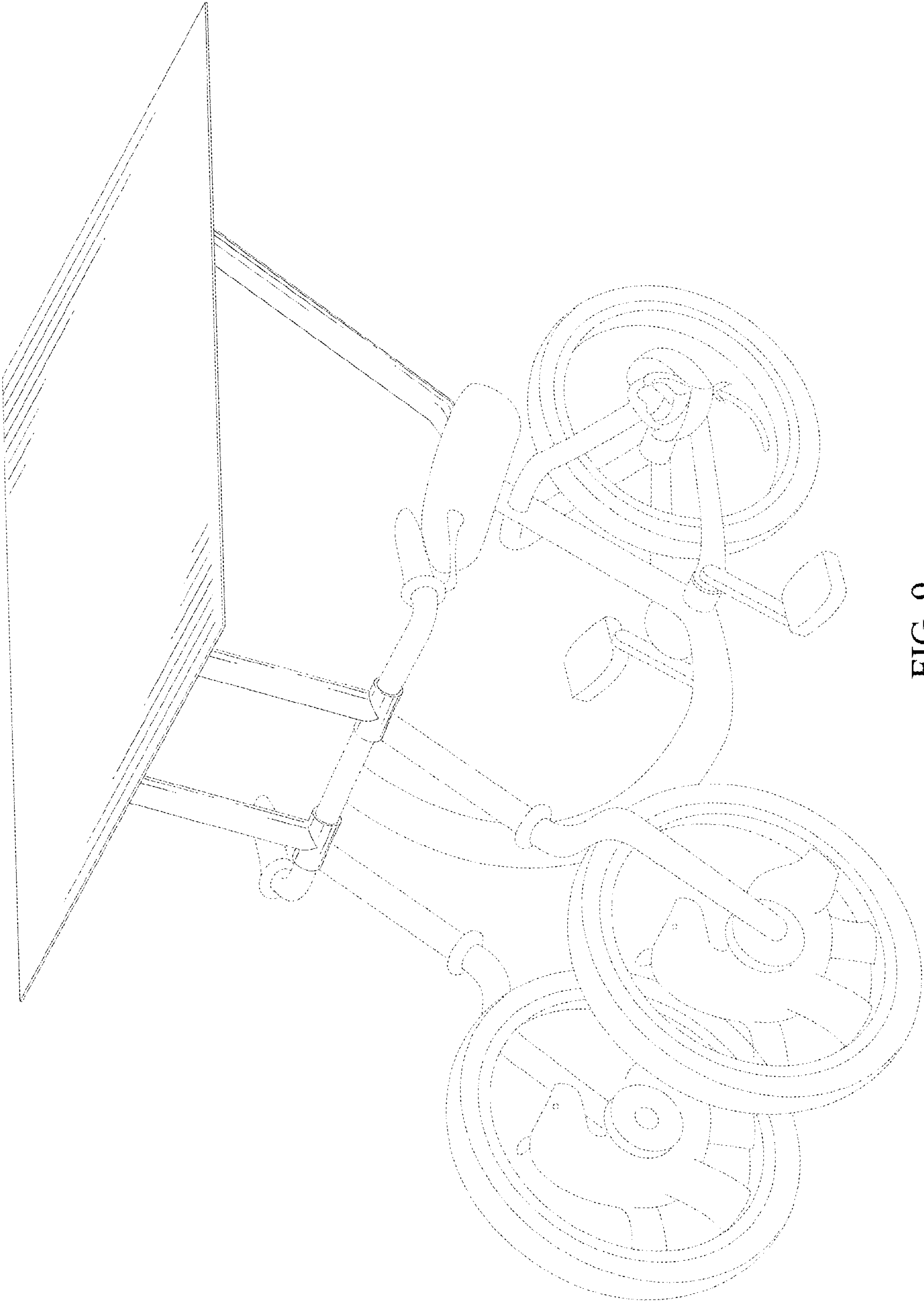


FIG. 9