



US00D924104S

(12) **United States Design Patent**  
**Kawakami**

(10) **Patent No.:** **US D924,104 S**

(45) **Date of Patent:** **\*\* Jul. 6, 2021**

- (54) **HEADLAMP FOR A BICYCLE**
- (71) Applicant: **Cateye Co., Ltd.**, Osaka (JP)
- (72) Inventor: **Kenta Kawakami**, Osaka (JP)
- (73) Assignee: **Cateye Co., Ltd.**, Osaka (JP)

- D759,859 S \* 6/2016 Ng ..... D26/28
- D760,931 S \* 7/2016 Davies ..... D26/28
- D779,690 S \* 2/2017 Nagano ..... D26/28
- D779,691 S \* 2/2017 Nagano ..... D26/28
- D783,188 S \* 4/2017 Espejo ..... D26/28
- D784,575 S \* 4/2017 Kawakami ..... D26/28
- D796,386 S \* 9/2017 Hu ..... D12/114

(Continued)

(\*\*) Term: **15 Years**

**FOREIGN PATENT DOCUMENTS**

(21) Appl. No.: **29/664,086**

- JP 1481724 10/2013
- JP 1614789 10/2018

(22) Filed: **Sep. 21, 2018**

(Continued)

(30) **Foreign Application Priority Data**

**OTHER PUBLICATIONS**

Mar. 27, 2018 (JP) ..... 2018-006503

Panasonic ideas for life Nov. 2010, Catalogue of Bicycle Items, p. 1, Dec. 17, 2010.

(51) **LOC (13) Cl.** ..... **12-11**

(52) **U.S. Cl.**  
USPC ..... **D12/114**

*Primary Examiner* — Michelle E. Wilson

*Assistant Examiner* — Clese Moore, Jr.

(58) **Field of Classification Search**

USPC ..... D12/114; D26/28–36

CPC ..... B62J 6/02; B62J 6/00; B62J 6/001

See application file for complete search history.

(74) *Attorney, Agent, or Firm* — Saul Ewing Arnstein & Lehr LLP; Joseph M. Kuo

(56) **References Cited**

(57) **CLAIM**

The ornamental design for a headlamp for a bicycle, as shown.

**U.S. PATENT DOCUMENTS**

**DESCRIPTION**

- D498,550 S \* 11/2004 Chen ..... D26/28
- D566,871 S \* 4/2008 Kumthampinij ..... D26/60
- D574,986 S \* 8/2008 Kumthampinij ..... D26/60
- D597,237 S \* 7/2009 Kumthampinij ..... D26/28
- D605,790 S \* 12/2009 Hsing-Tsun ..... D26/28
- D706,468 S \* 6/2014 Nagano ..... D26/28
- D707,376 S \* 6/2014 Cheung ..... D26/28
- D709,225 S \* 7/2014 Ueda ..... D26/28
- D715,980 S \* 10/2014 Ueda ..... D26/28
- D717,979 S \* 11/2014 Ueda ..... D26/28
- D733,342 S \* 6/2015 Lee ..... D26/28
- D733,948 S \* 7/2015 Liao ..... D26/28
- D751,739 S \* 3/2016 Hamasaki ..... D26/28
- D756,027 S \* 5/2016 Hamasaki ..... D26/138
- D757,311 S \* 5/2016 Nagano ..... D26/28
- D757,968 S \* 5/2016 Olson ..... D26/28

FIG. 1 is a perspective view of a headlamp for a bicycle showing my new design;

FIG. 2 is a front elevational view thereof;

FIG. 3 is a rear elevational view thereof;

FIG. 4 is a right side view thereof;

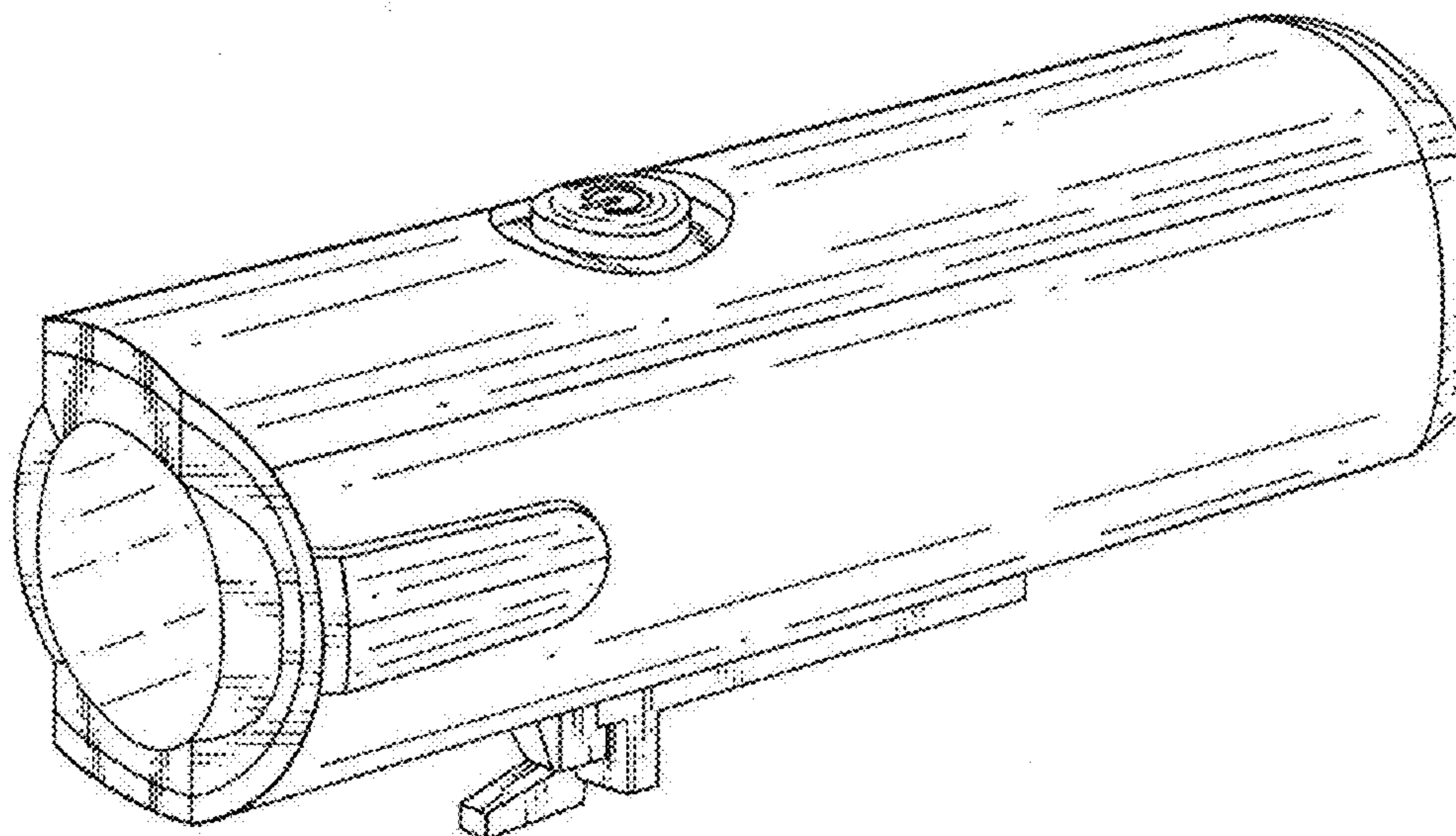
FIG. 5 is a left side view thereof;

FIG. 6 is a top plan view thereof; and,

FIG. 7 is a bottom plan view thereof.

The broken lines show portions of the article which form no part of the claimed design.

**1 Claim, 5 Drawing Sheets**



(56)

**References Cited**

U.S. PATENT DOCUMENTS

D797,006 S \* 9/2017 Hu ..... D12/114  
D797,007 S \* 9/2017 Hu ..... D12/114  
2012/0281422 A1\* 11/2012 Lee ..... B62J 6/02  
362/475

FOREIGN PATENT DOCUMENTS

TW 133351 2/2010  
TW 150474 11/2012  
TW 133351 11/2013  
TW 176526 6/2016  
TW 190621 5/2018  
TW 190623 5/2018  
TW 150474 8/2018

\* cited by examiner

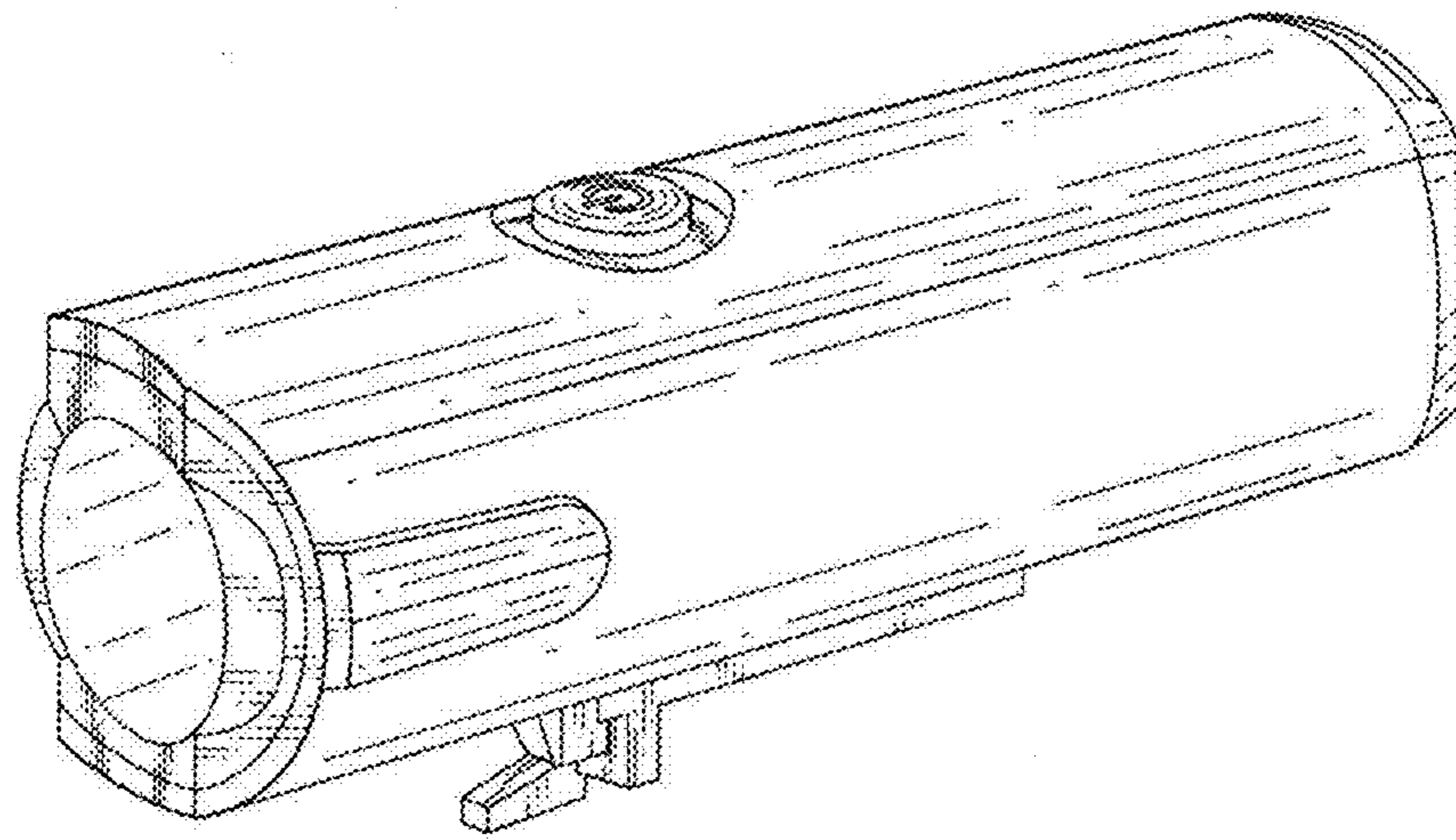


Fig. 1

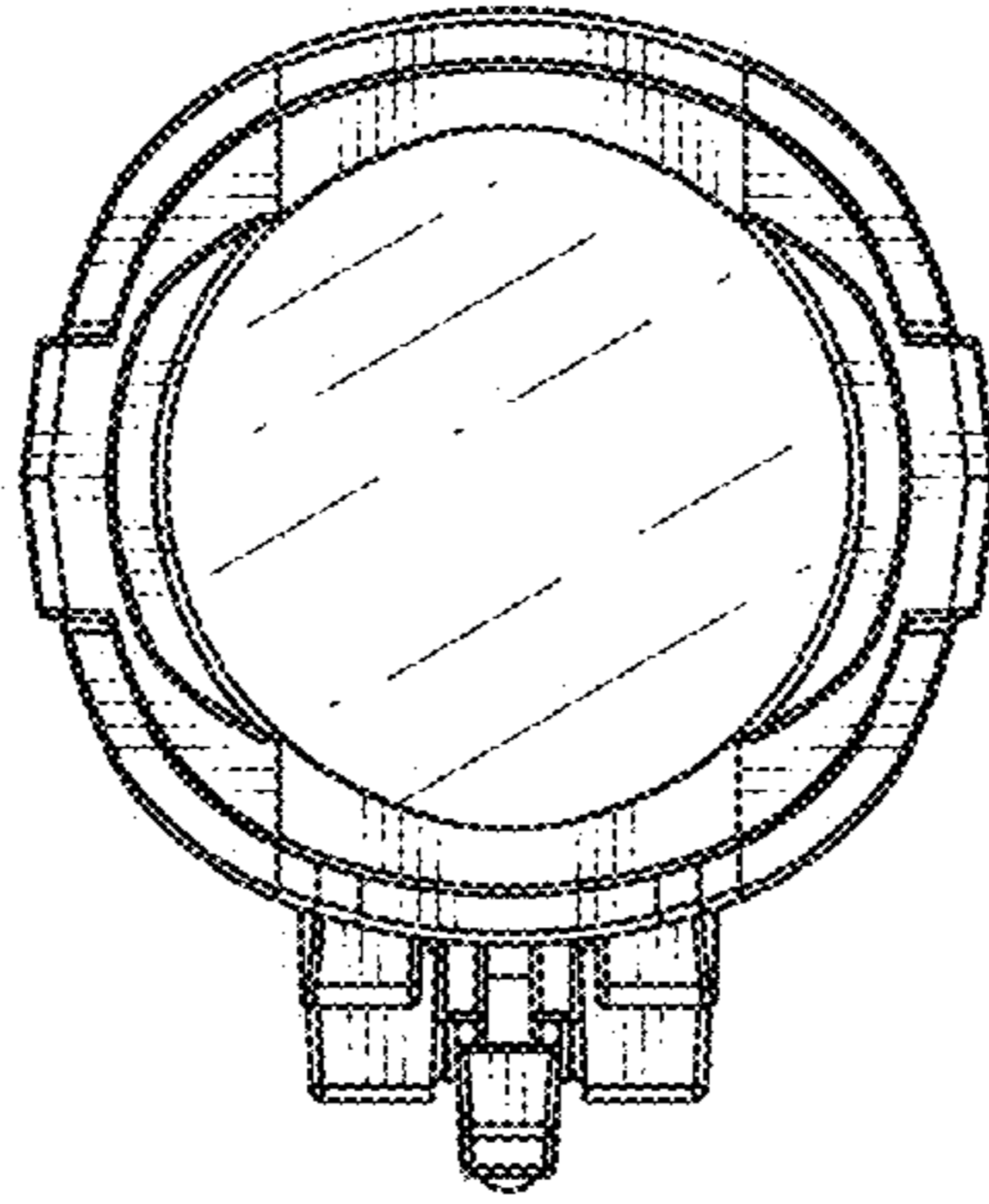


Fig. 2

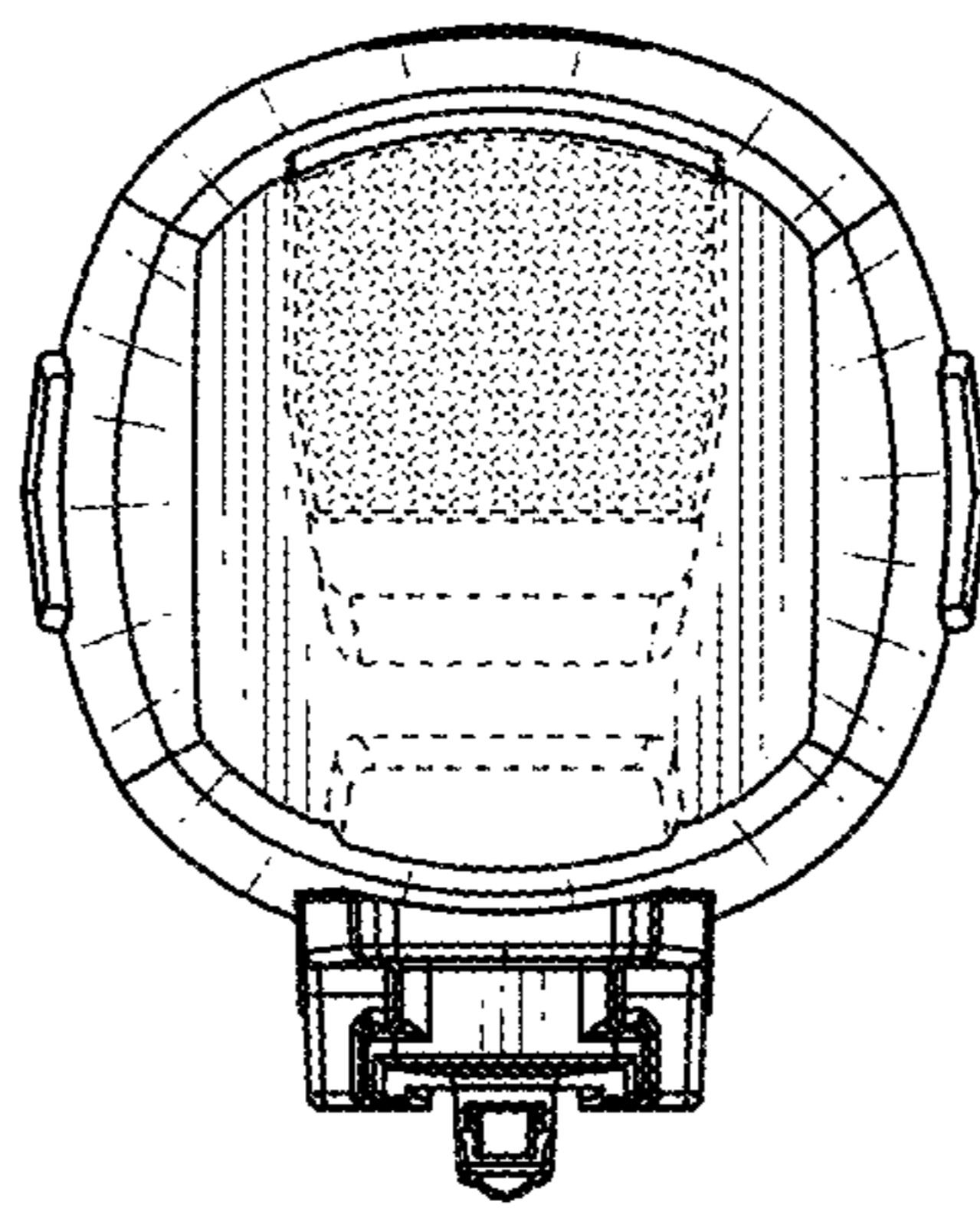


Fig. 3

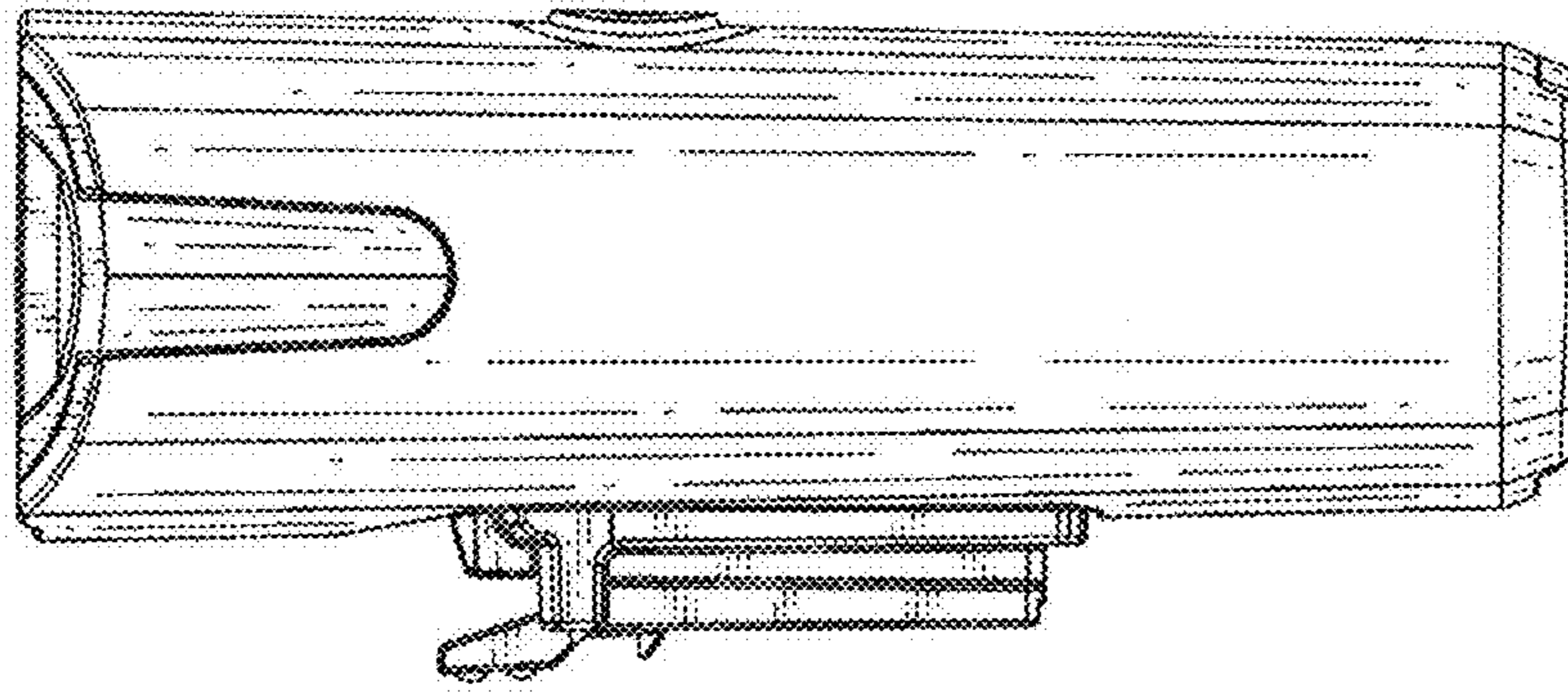


Fig. 4

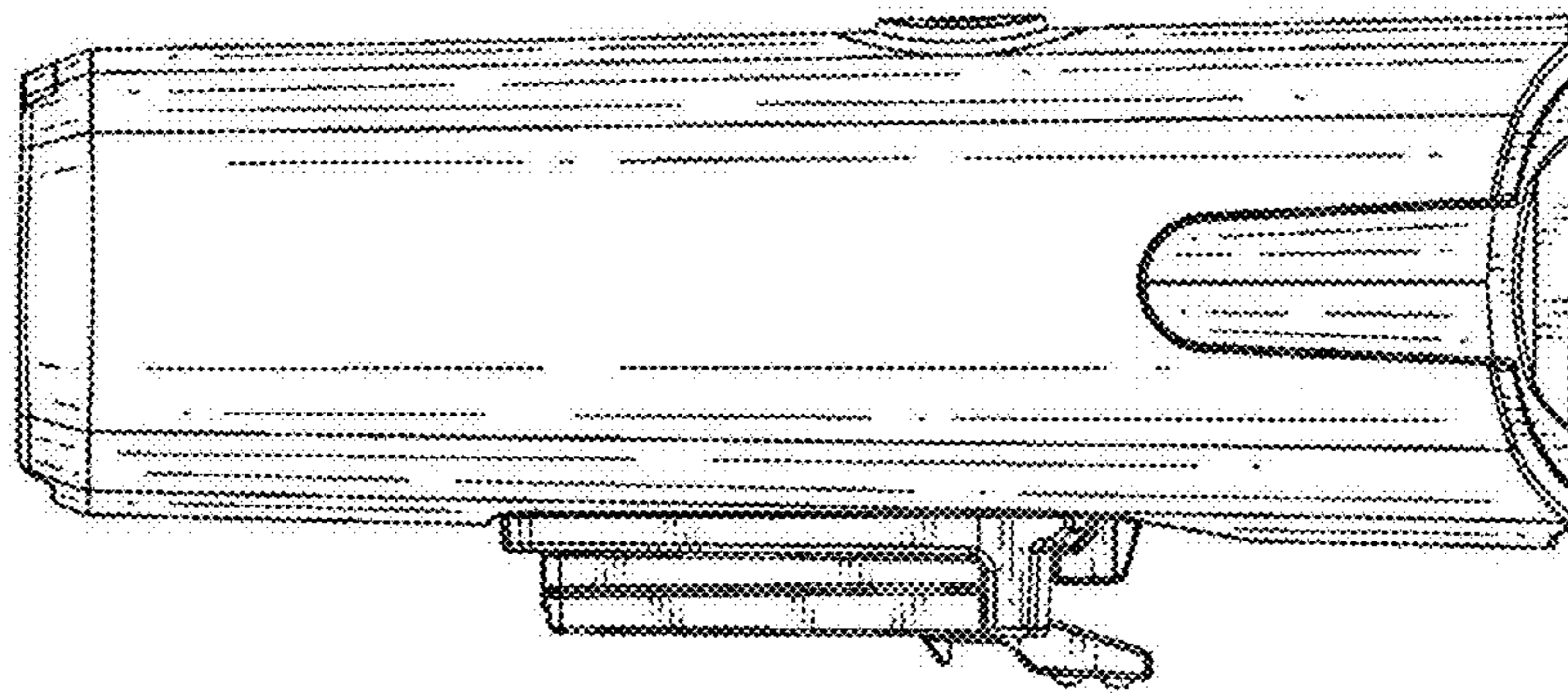


Fig. 5

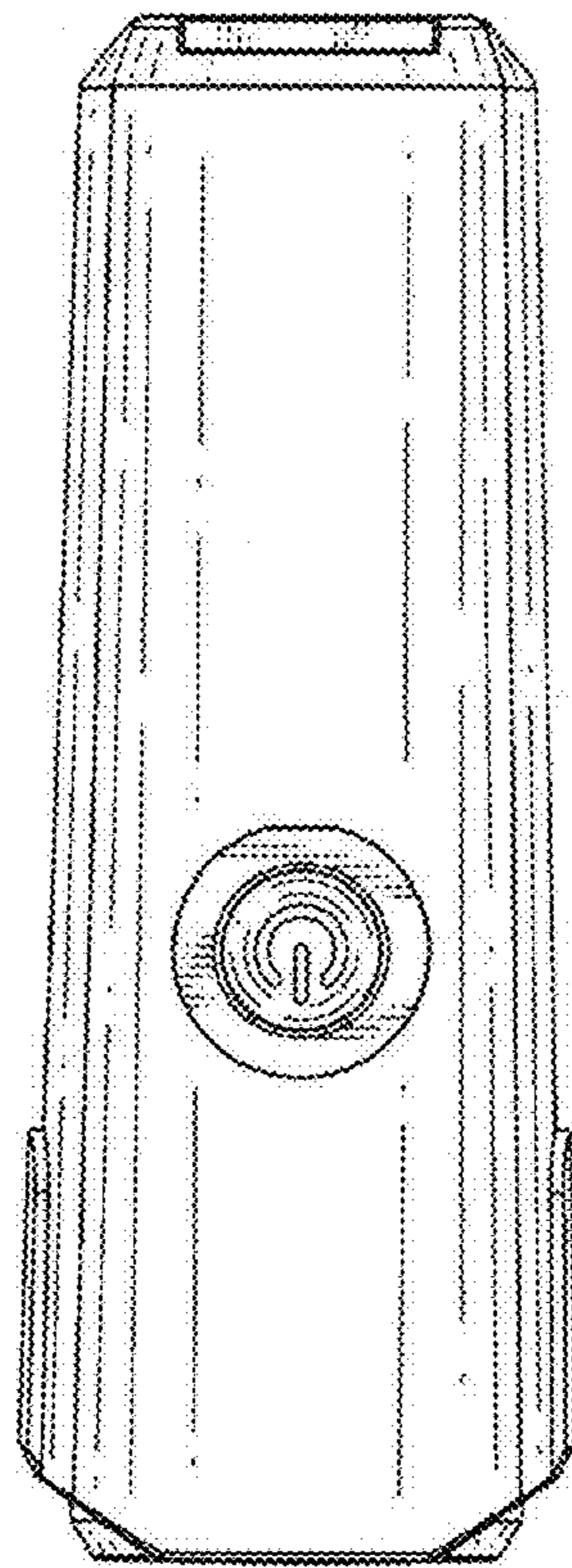


Fig. 6

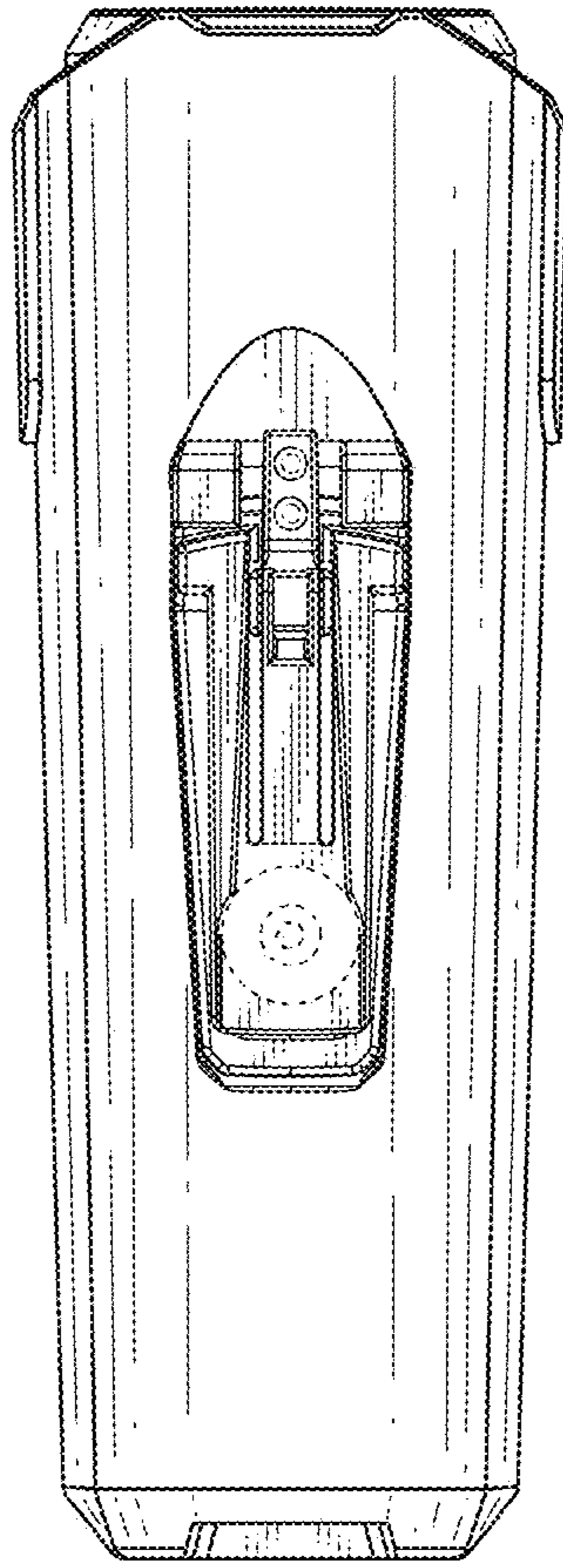


Fig. 7