

US00D924103S

(12) **United States Design Patent** (10) **Patent No.:** **US D924,103 S**
Stäubli (45) **Date of Patent:** **** Jul. 6, 2021**

(54) **BICYCLE**
(71) Applicant: **Regroup ag**, Steinhausen (CH)
(72) Inventor: **Nicola Enrico Stäubli**, Zürich (CH)
(**) Term: **15 Years**
(21) Appl. No.: **35/508,610**
(22) Filed: **Dec. 9, 2019**

D797,003 S * 9/2017 Qiu D12/111
D801,875 S * 11/2017 Pfeiffer D12/111
D802,487 S * 11/2017 Petrov D12/111
D807,233 S * 1/2018 Zhang D12/111
D811,275 S * 2/2018 Hendey D12/111
D826,102 S * 8/2018 Lefort D12/111
D840,876 S * 2/2019 De Roeck D12/111
10,363,992 B2 * 7/2019 Watarai B62M 9/122
10,427,747 B2 * 10/2019 Choi B62M 9/16
D865,574 S * 11/2019 Russell D12/111
10,689,057 B2 * 6/2020 Choi B62K 19/30
10,807,673 B2 * 10/2020 Choi B62J 1/08

(80) **Hague Agreement Data**

Int. Filing Date: **Dec. 9, 2019**
Int. Reg. No.: **DM/205778**
Int. Reg. Date: **Dec. 9, 2019**
Int. Reg. Pub. Date: **Feb. 14, 2020**

(51) **LOC (13) Cl.** **12-11**
(52) **U.S. Cl.**
USPC **D12/111**
(58) **Field of Classification Search**
USPC D12/111, 117; D21/412, 414, 419,
D21/423-428, 431-435
CPC B62K 3/00; B62K 3/02; B62K 3/06
See application file for complete search history.

(56) **References Cited**

U.S. PATENT DOCUMENTS

D347,602 S * 6/1994 Ynoztrorza D12/111
D385,229 S * 10/1997 Chan D12/111
D411,145 S * 6/1999 Shankin D12/111
D437,807 S * 2/2001 Morillo D12/111
D479,817 S * 9/2003 Hobson D12/111
D514,988 S * 2/2006 Blankenship D12/111
D556,641 S * 12/2007 MacCarrone D12/111
D619,051 S * 7/2010 VanLoozen D12/111
D636,298 S * 4/2011 Yang D12/111
D644,962 S * 9/2011 Schoonhoven D12/111
D691,070 S * 10/2013 Vollmer D12/111
9,604,690 B2 * 3/2017 Huber B62K 3/04
D784,858 S * 4/2017 Juhlin D12/111
D785,509 S * 5/2017 Juhlin D12/111

OTHER PUBLICATIONS

“Frame—Platypus.” RVNDL BCYCL WRKS., Sep. 25, 2011 [online], [retrieved on Apr. 7, 2021]. Retrieved from the Internet <URL: <https://www.rivbike.com/products/frame-platypus-2021>>.*
OlaBMX. “The Worlds Lightest BMX Bike.” YouTube., Mar. 26, 2020 [online], [retrieved on Apr. 7, 2021]. Retrieved from the Internet <URL: <https://www.youtube.com/watch?v=-1HtRe5GALY>>.*

* cited by examiner

Primary Examiner — Darlington Ly

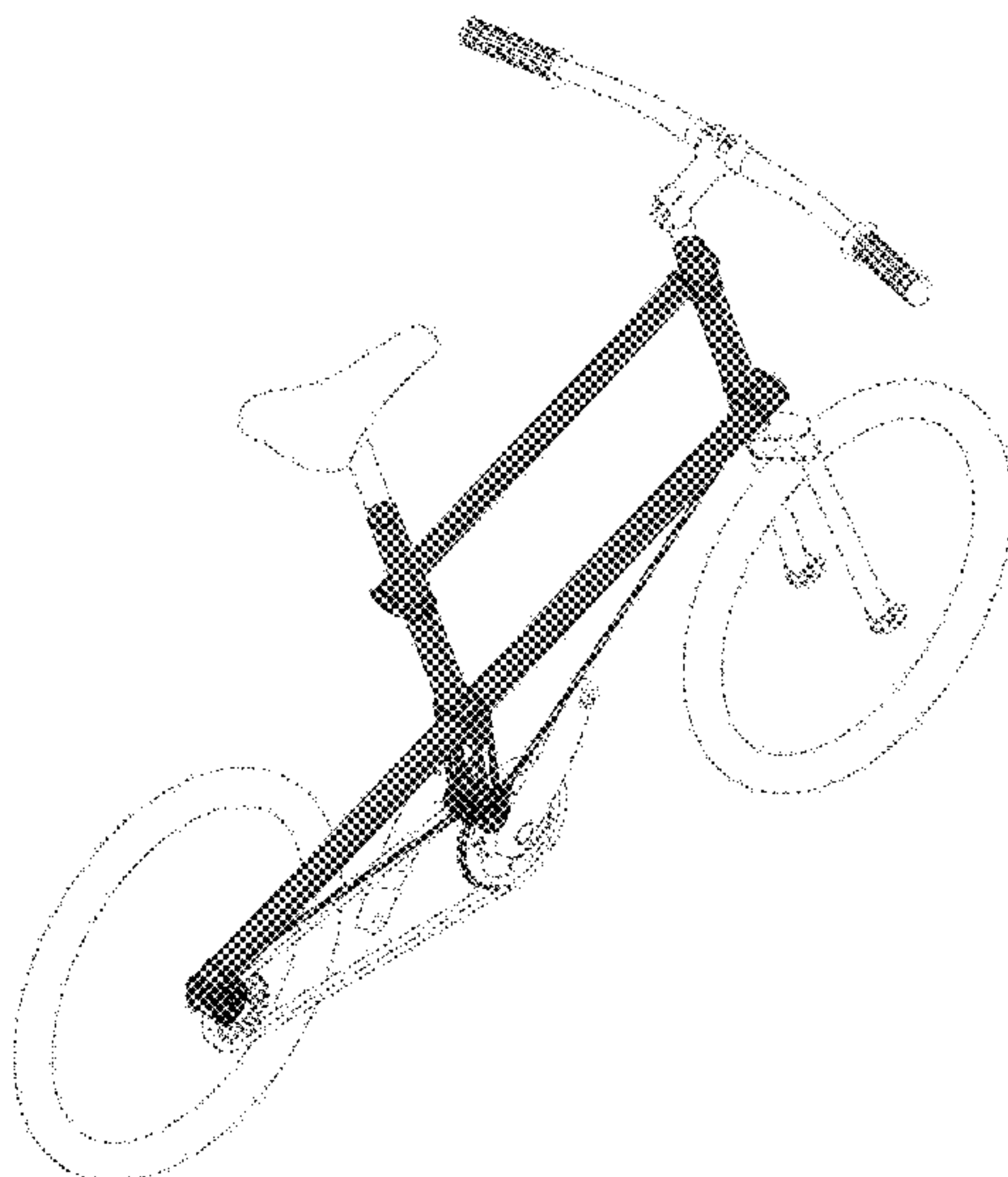
(57) **CLAIM**

The ornamental design for a bicycle, as shown and described.

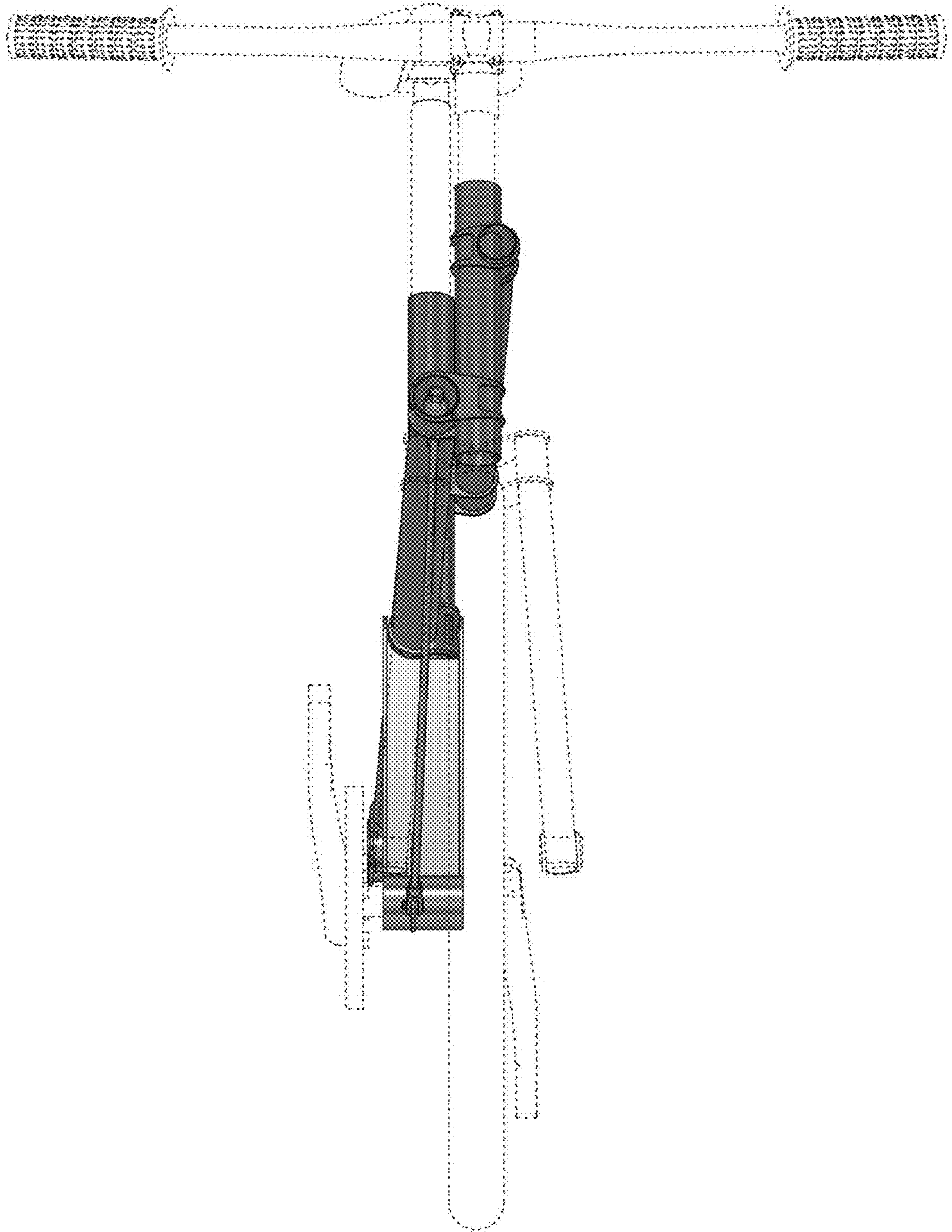
DESCRIPTION

1.1 is a front elevation view of a bicycle embodying my new design;
1.2 is a rear elevation view thereof;
1.3 is a right side elevation view thereof;
1.4 is a left side elevation view thereof;
1.5 is a top plan view thereof;
1.6 is a bottom plan view thereof;
1.7 is a top, rear, and right side perspective view thereof; and
1.8 is a top, front, and left side perspective view thereof.
The broken line showing portions of the bicycle forms no part of the claimed design.

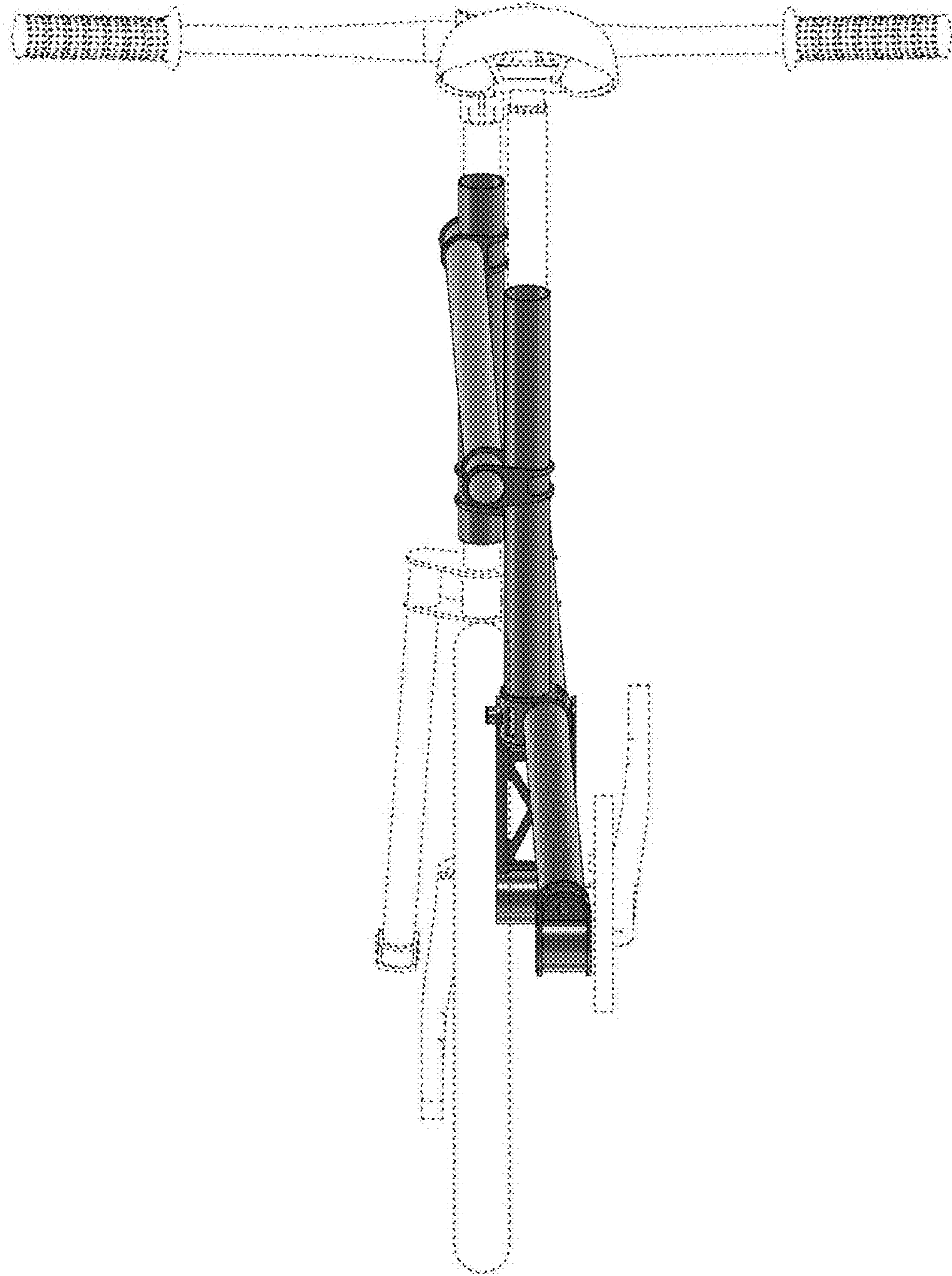
1 Claim, 8 Drawing Sheets



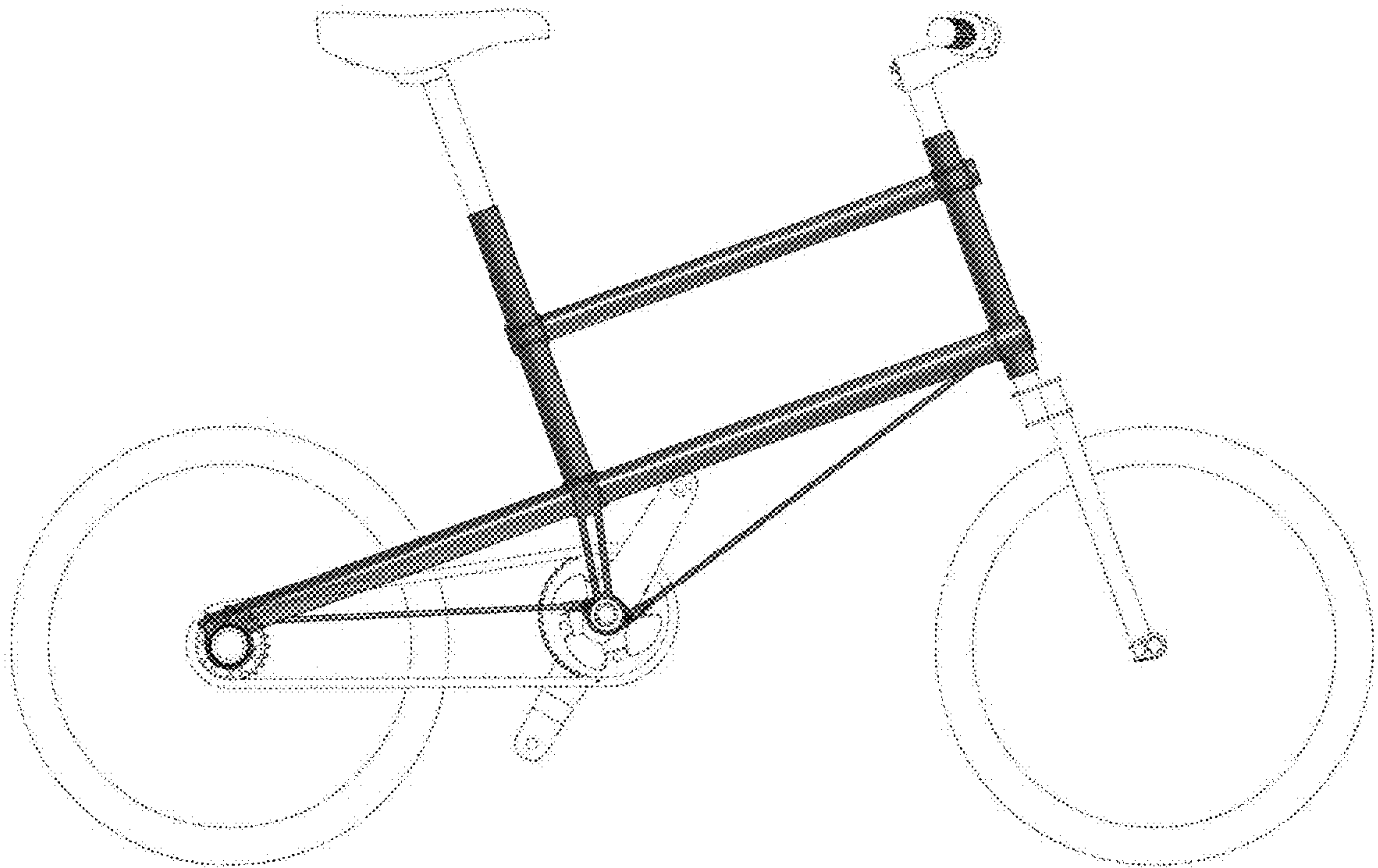
1.1



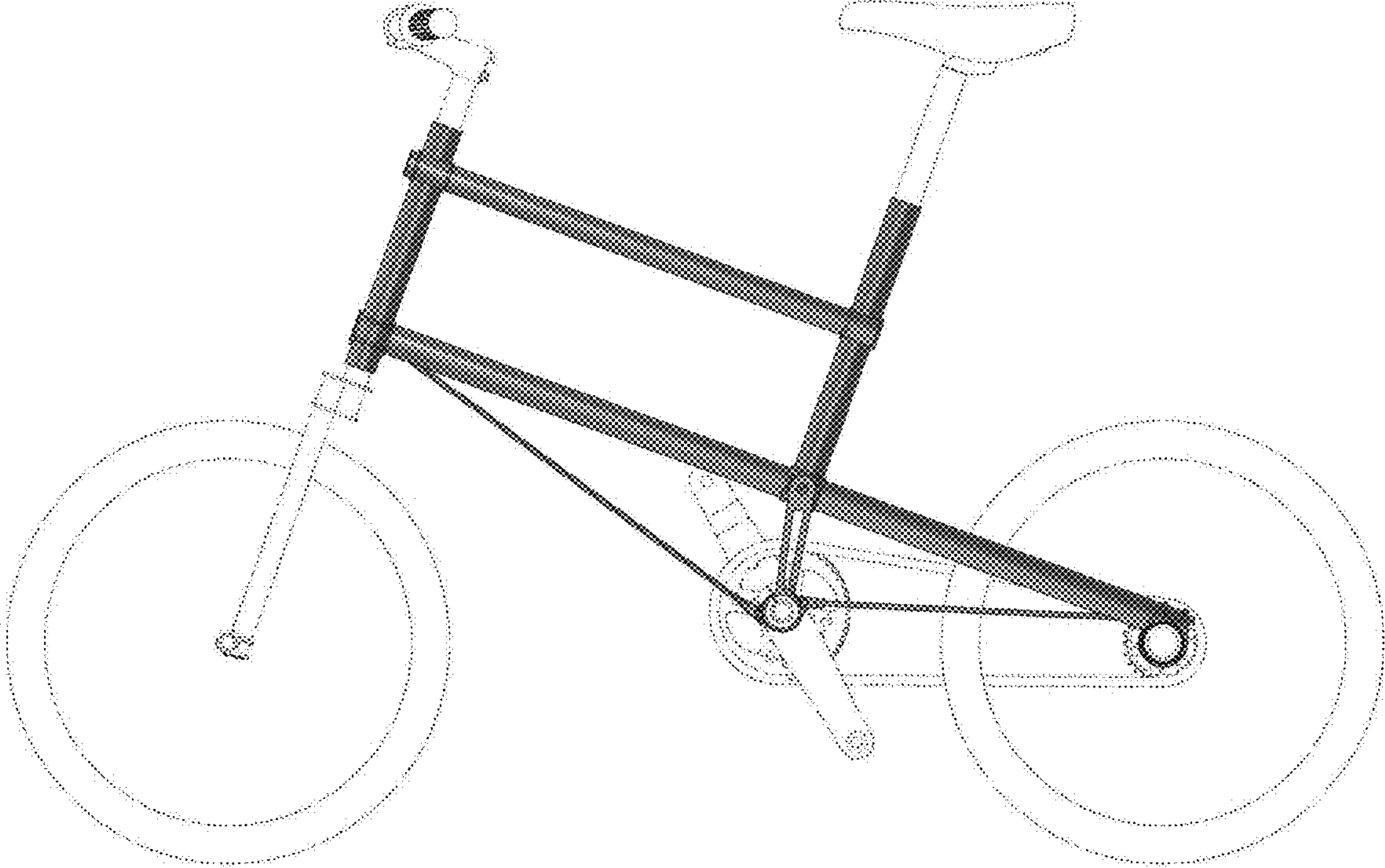
1.2



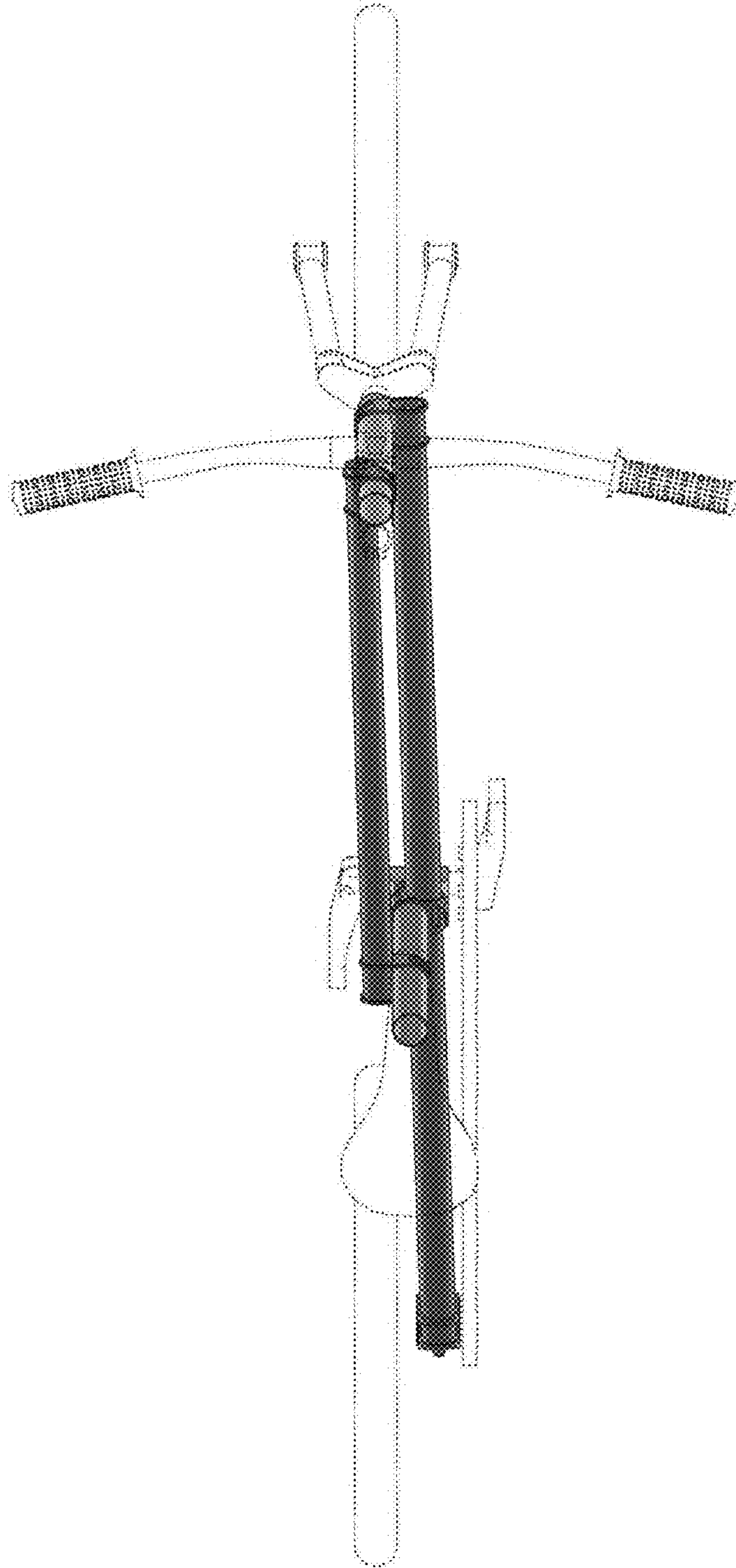
1.3



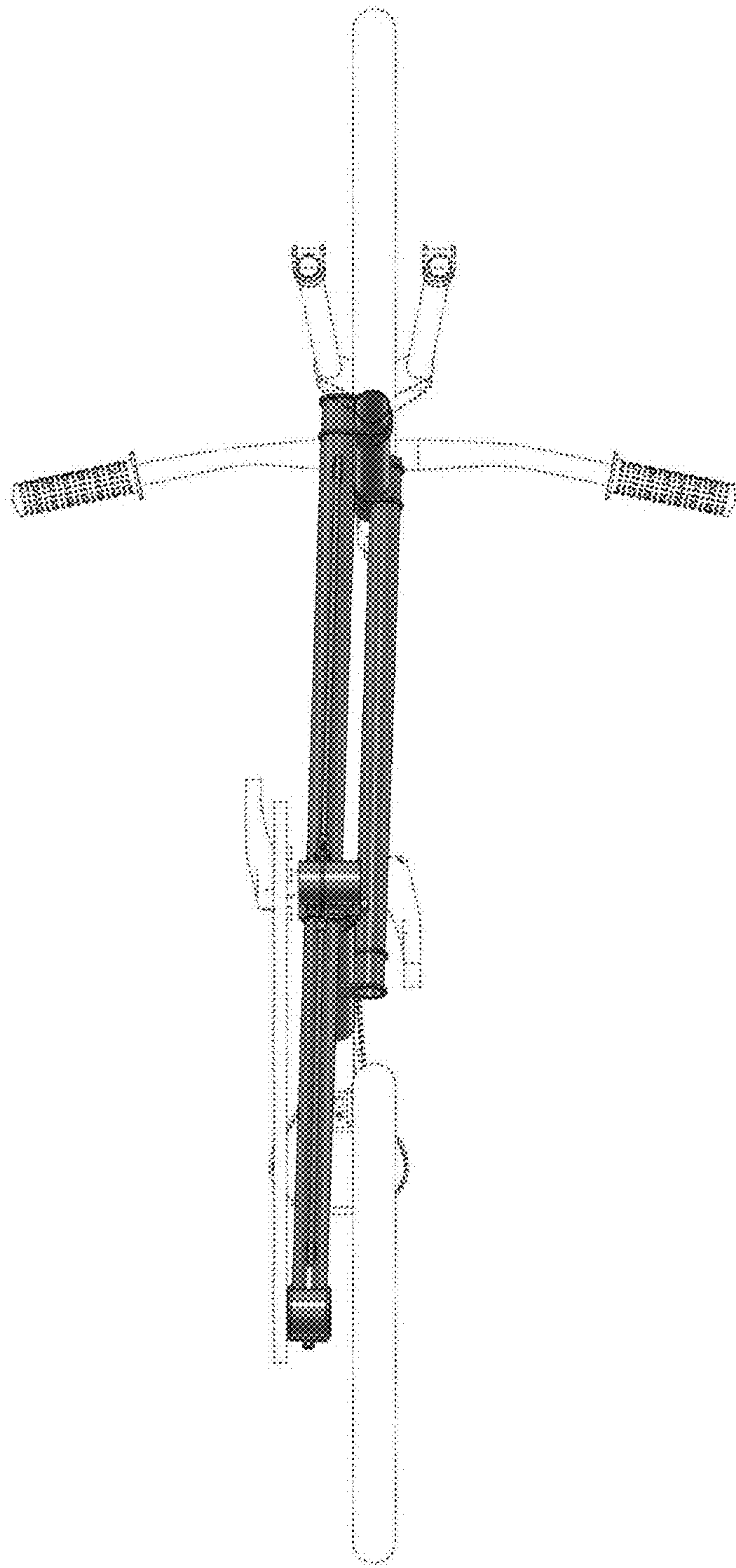
1.4



1.5



1.6



1.7



1.8

