



US00D924097S

(12) **United States Design Patent**
Virhiä et al.

(10) **Patent No.:** **US D924,097 S**
(45) **Date of Patent:** **** Jul. 6, 2021**

- (54) **SENSOR PENDANT CASE**
- (71) Applicant: **Zen-me Labs Oy**, Tampere (FI)
- (72) Inventors: **Toni Matti Virhiä**, Tampere (FI);
Harri Päiviö Koskinen, Helsinki (FI);
Janne Petteri Rätty, Helsinki (FI)
- (73) Assignee: **ZEN-ME LABS OY**, Tampere (FI)
- (**) Term: **15 Years**
- (21) Appl. No.: **29/722,999**
- (22) Filed: **Feb. 4, 2020**
- (51) **LOC (13) Cl.** **11-01**
- (52) **U.S. Cl.**
USPC **D11/86**
- (58) **Field of Classification Search**
USPC D11/1–29, 79, 86–88, 91
CPC A44C 25/00; A44C 25/001; A44C 25/007
See application file for complete search history.

(56) **References Cited**

U.S. PATENT DOCUMENTS

| | | | | | |
|-----------|------|---------|-----------------|-------|--------------|
| 5,167,356 | A * | 12/1992 | Williams | | A44C 25/00 |
| | | | | | 206/8 |
| 6,209,351 | B1 * | 4/2001 | Zeleny | | A44C 17/0216 |
| | | | | | 63/1.16 |
| D482,295 | S * | 11/2003 | Chia | | D11/91 |
| D518,406 | S * | 4/2006 | Stern | | D11/86 |
| D549,128 | S * | 8/2007 | Kothari | | D11/25 |
| D589,390 | S * | 3/2009 | Tang | | D10/128 |
| D656,056 | S * | 3/2012 | Outland | | D11/79 |
| D691,913 | S * | 10/2013 | Outland | | D11/79 |
| D712,297 | S * | 9/2014 | Taylor-Cattapan | | D11/79 |
| D800,700 | S * | 10/2017 | Bergman | | D14/217 |
| D810,609 | S * | 2/2018 | Heller | | D11/79 |
| D847,789 | S * | 5/2019 | Virhia | | D14/217 |
| D849,587 | S * | 5/2019 | Li | | D11/79 |
| D849,590 | S * | 5/2019 | Peterson | | D11/86 |
| D851,534 | S * | 6/2019 | Bhosale | | D11/91 |

| | | | | | |
|--------------|------|---------|--------------|-------|------------|
| D905,587 | S * | 12/2020 | Nolan, Jr. | | D11/79 |
| D908,528 | S * | 1/2021 | Shah | | D11/91 |
| 2005/0138962 | A1 * | 6/2005 | Berge | | A44C 25/00 |
| | | | | | 63/13 |
| 2008/0229641 | A1 * | 9/2008 | Slautterback | | A44C 1/00 |
| | | | | | 40/773 |

FOREIGN PATENT DOCUMENTS

CA 2998583 A1 * 6/2018 A44C 25/001

* cited by examiner

Primary Examiner — Zenia I Bennett

(74) *Attorney, Agent, or Firm* — Thompson Hine LLP

(57) **CLAIM**

The ornamental design of a sensor pendant case, substantially as shown and described.

DESCRIPTION

FIG. 1 is a top perspective view of a sensor pendant case for wrapping around and holding a sensor or sensor vault in accordance with the present invention.

FIG. 2 is a second perspective view thereof in a closed position.

FIG. 3 is a left view thereof.

FIG. 4 is a right view thereof.

FIG. 5 is a front view thereof.

FIG. 6 is a back view thereof.

FIG. 7 is a top view thereof.

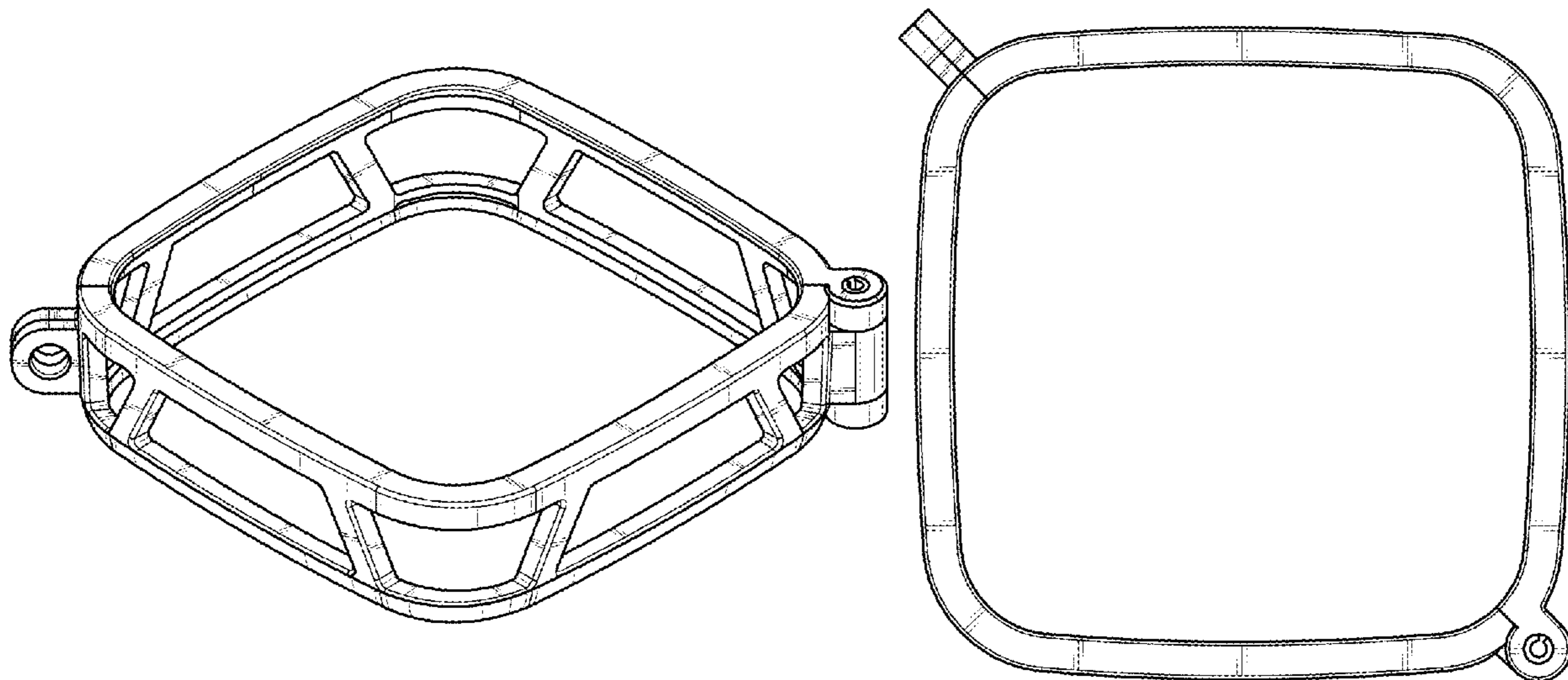
FIG. 8 is a bottom view thereof.

FIG. 9 is a perspective view of the sensor pendant case thereof in a partially open position; and,

FIG. 10 is a top view of the sensor pendant case thereof in a closed position, holding a sensor and being suspended on a chain.

The broken lines, within the claimed design, in FIG. 10 depicting the sensor held within the pendant case, the shackle on the corner of the case, and the chain are for illustrative purposes only. None of the broken lines form a part of the claimed design.

1 Claim, 10 Drawing Sheets



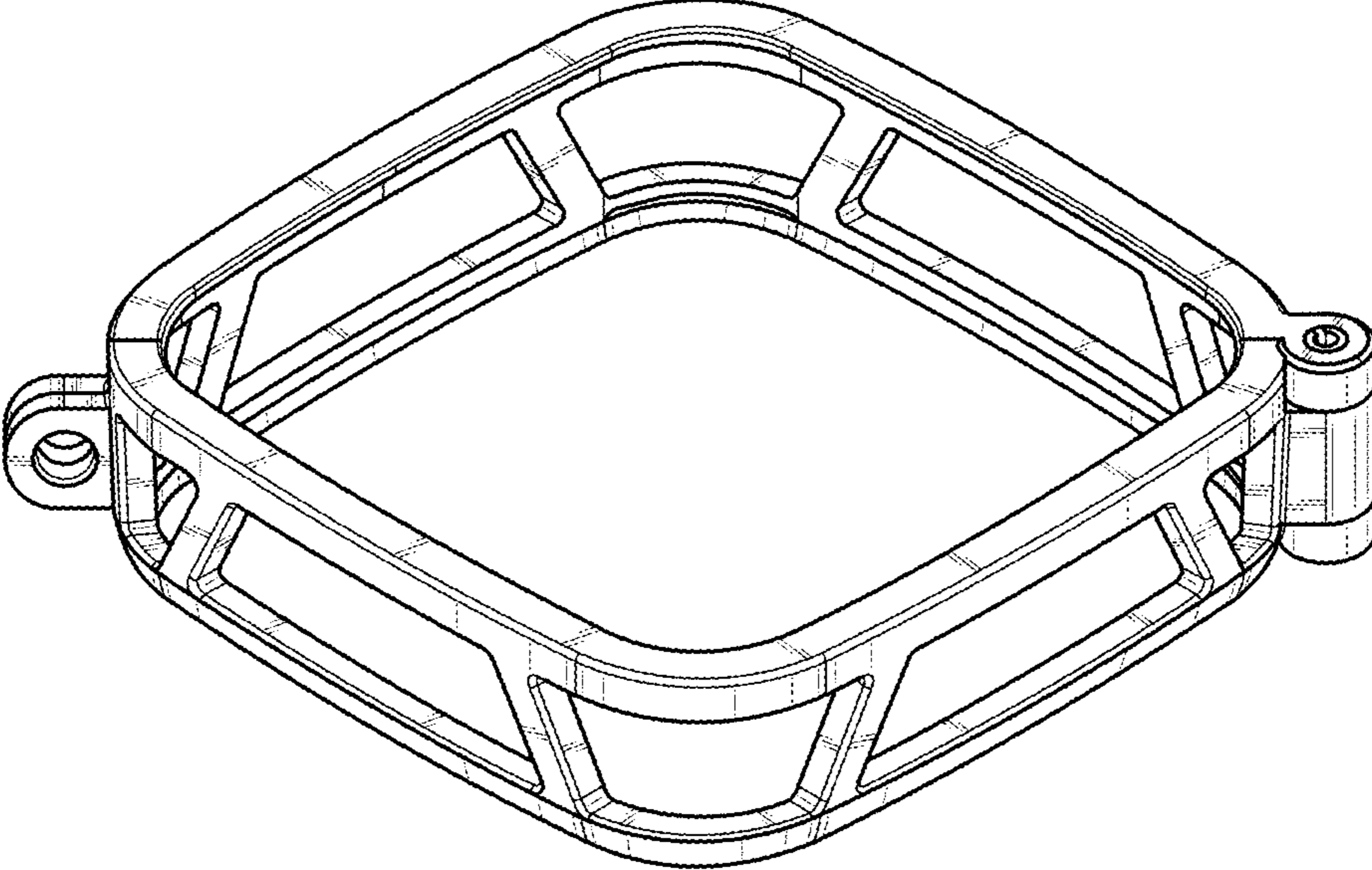


FIG. 1

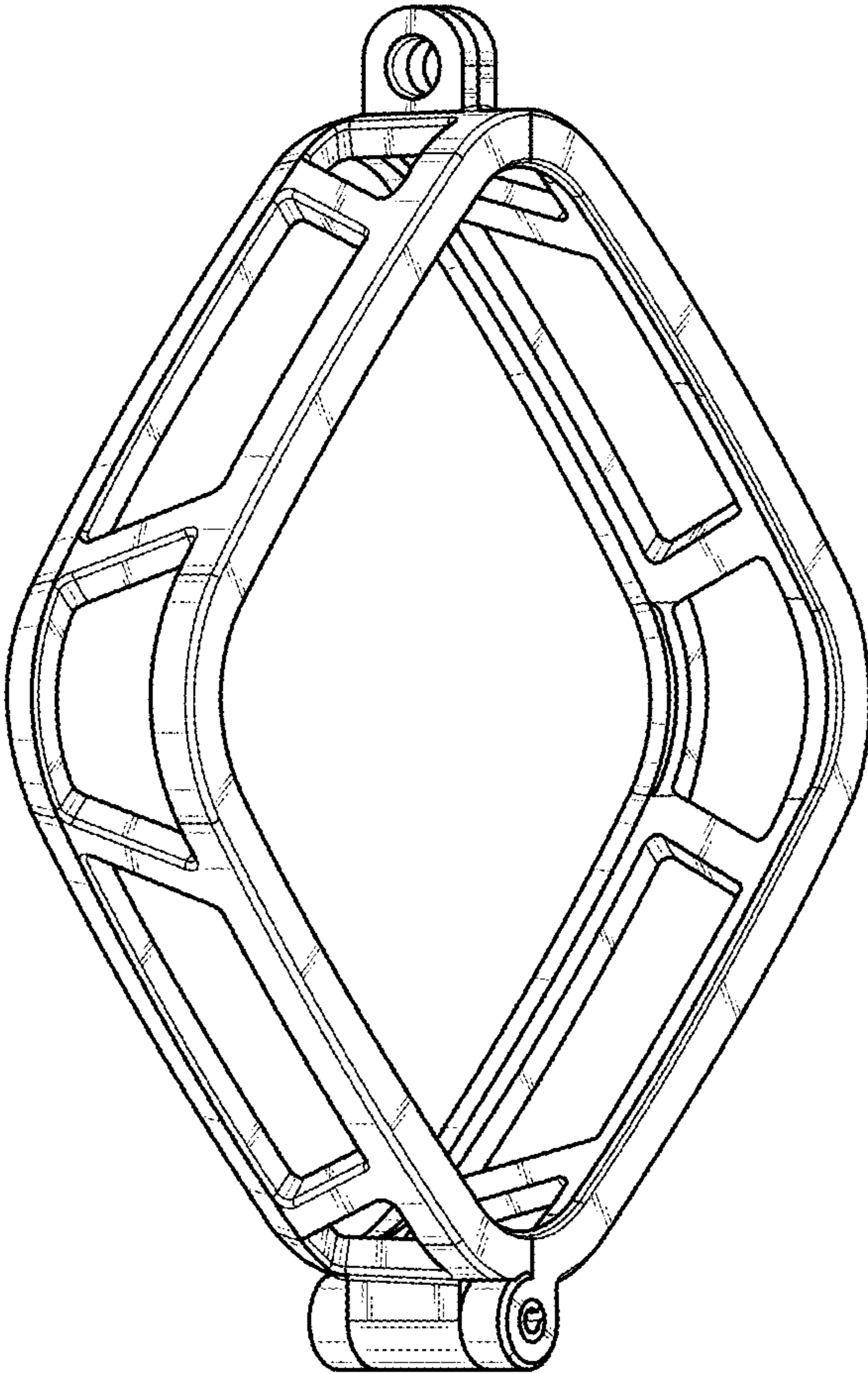


FIG. 2

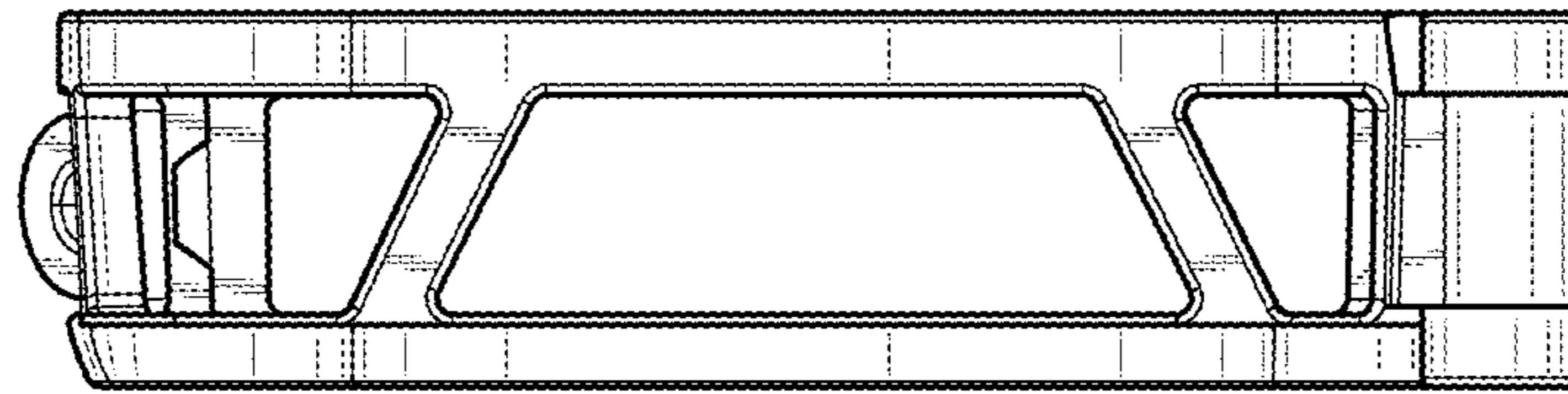


FIG. 3

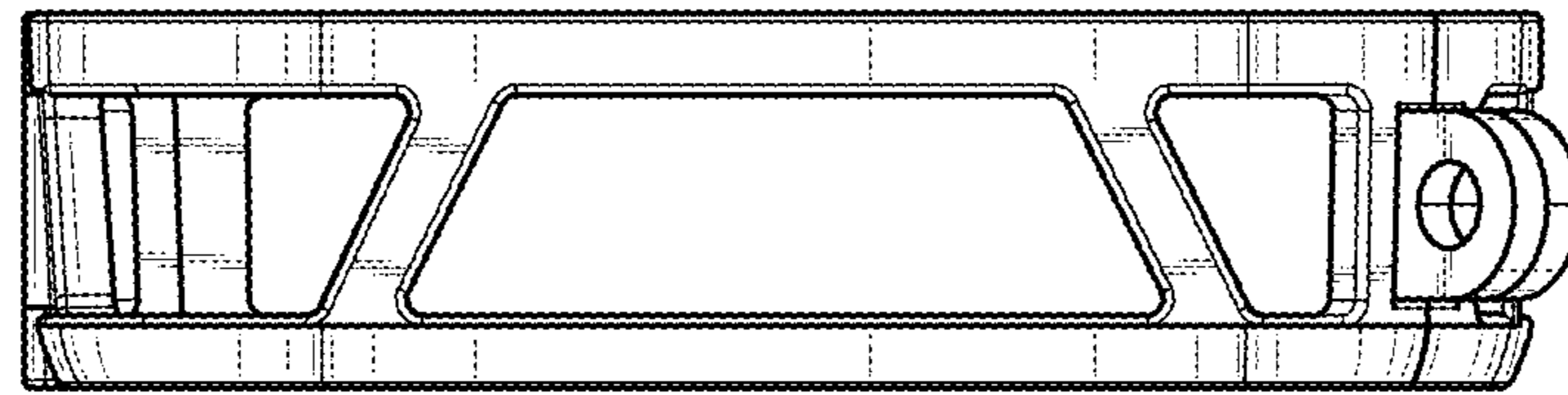


FIG. 4

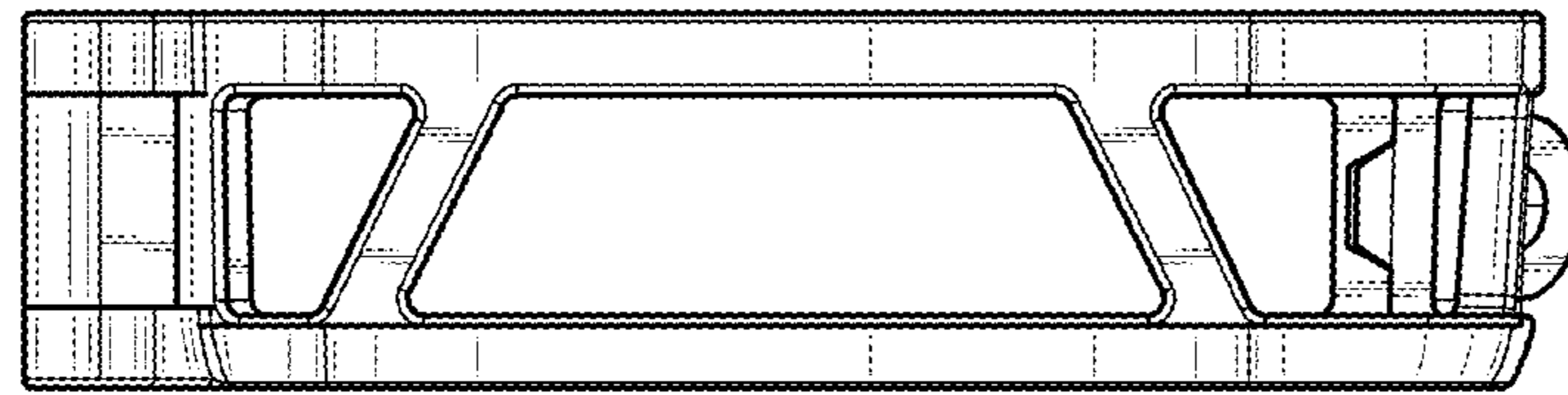


FIG. 5

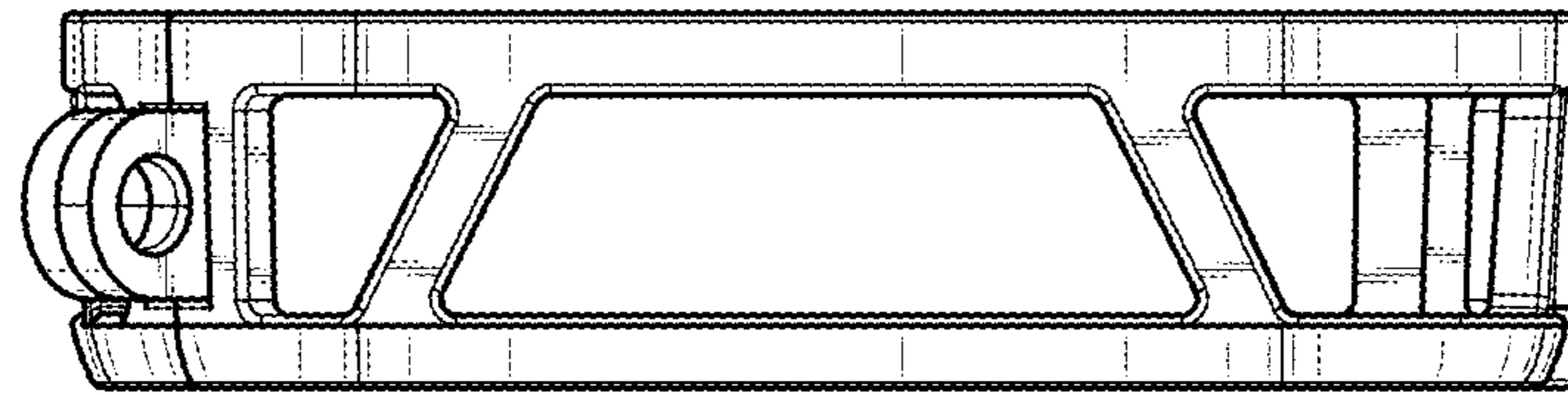


FIG. 6

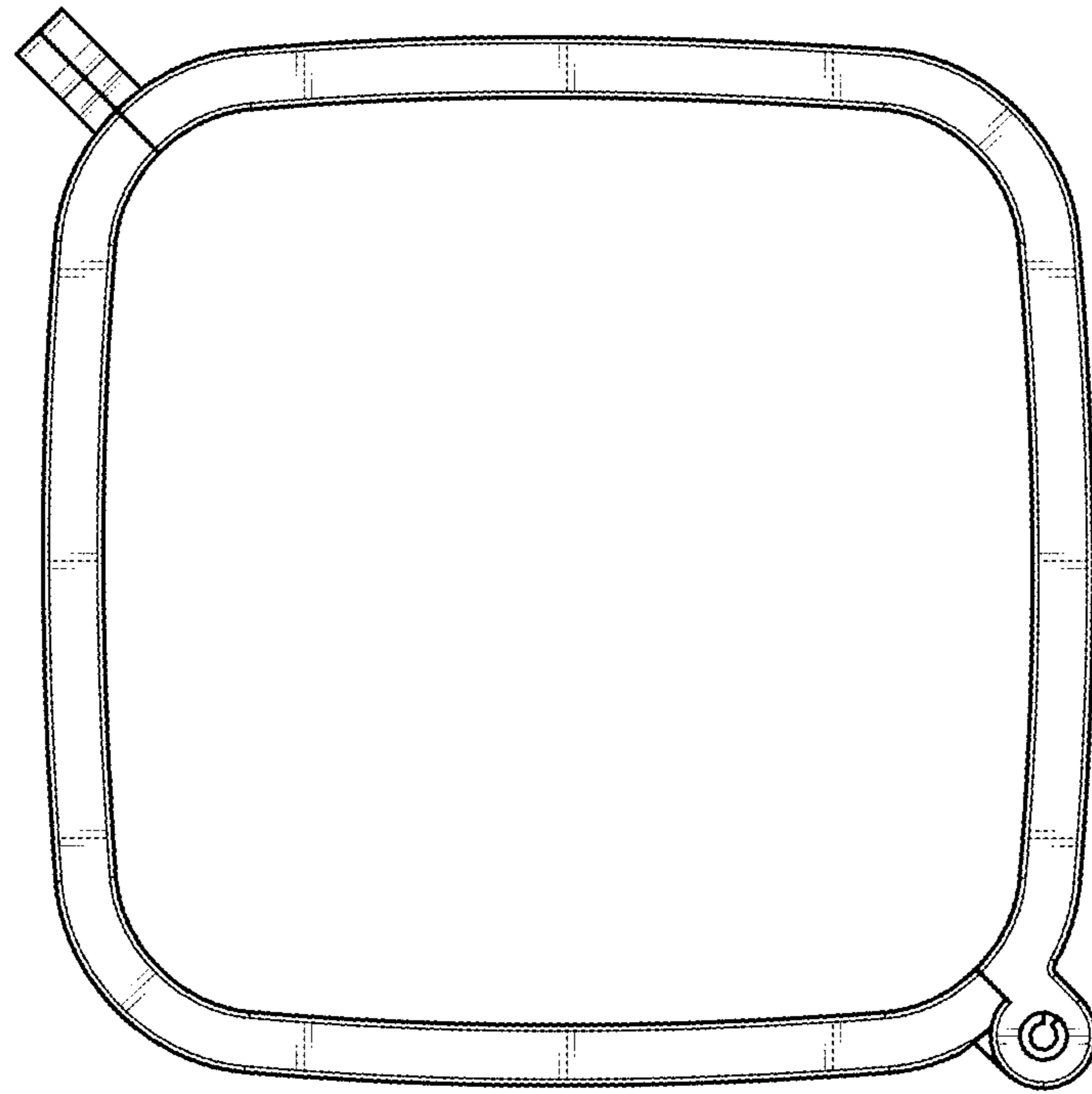


FIG. 7

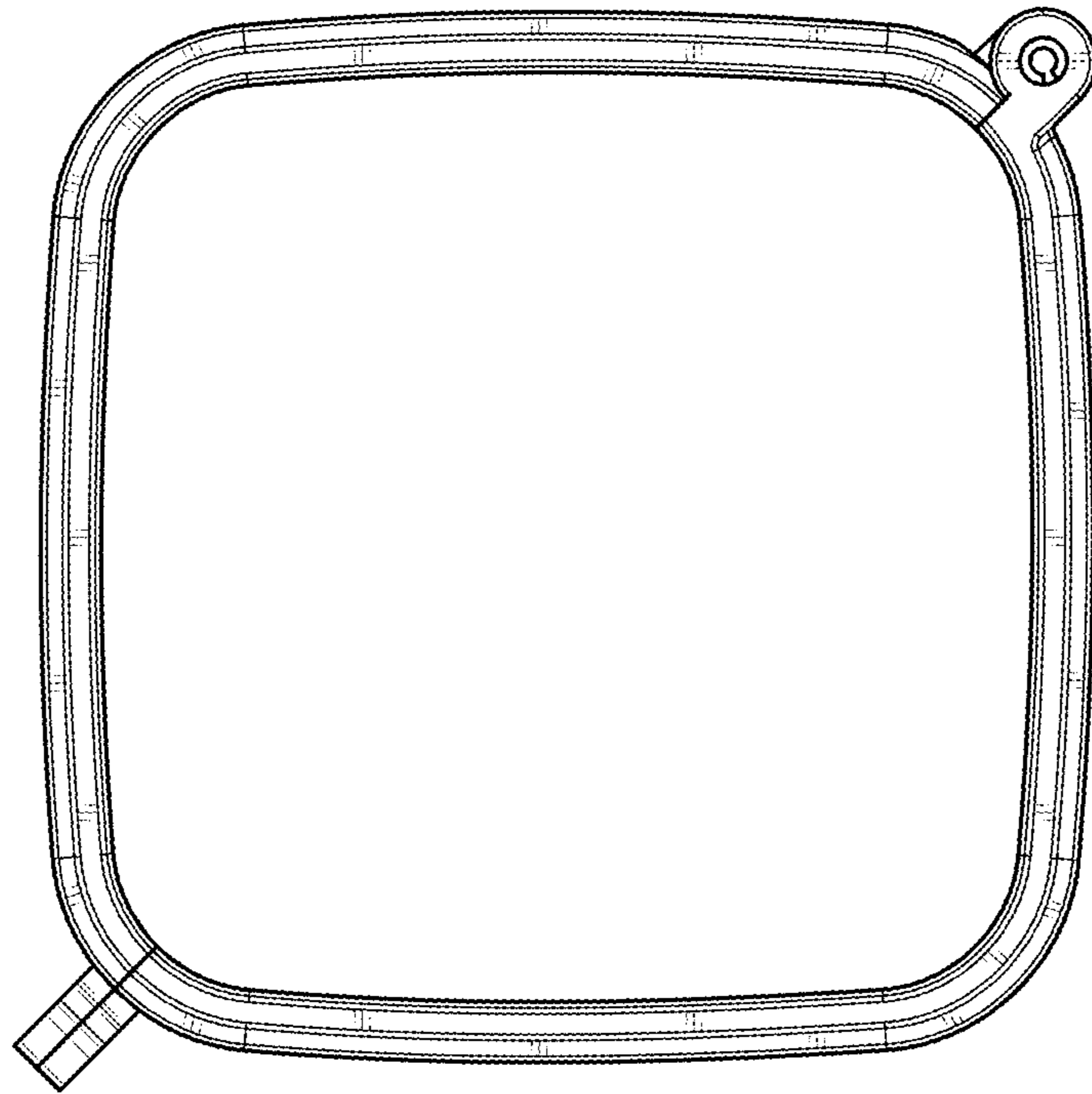


FIG. 8

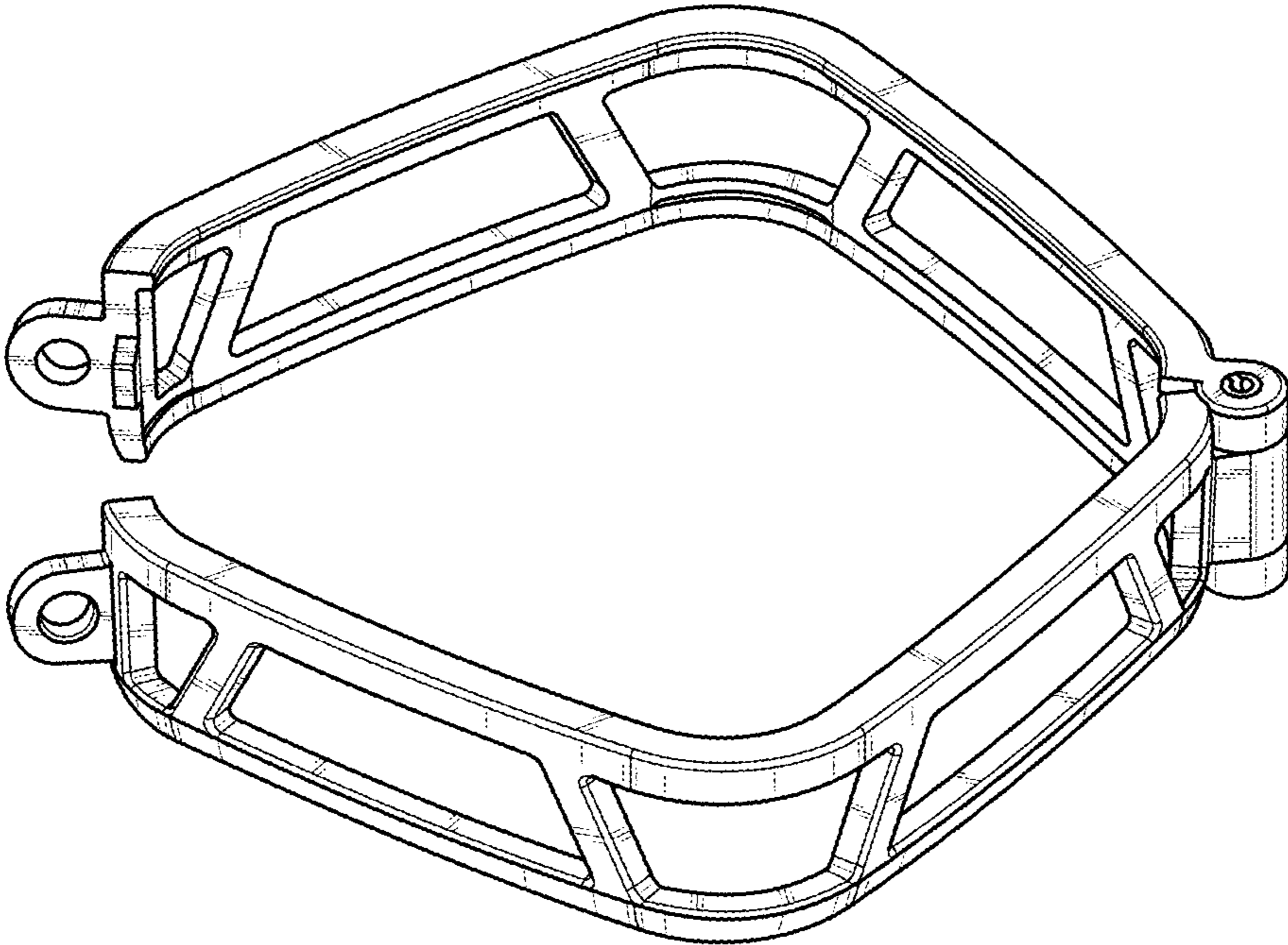


FIG. 9

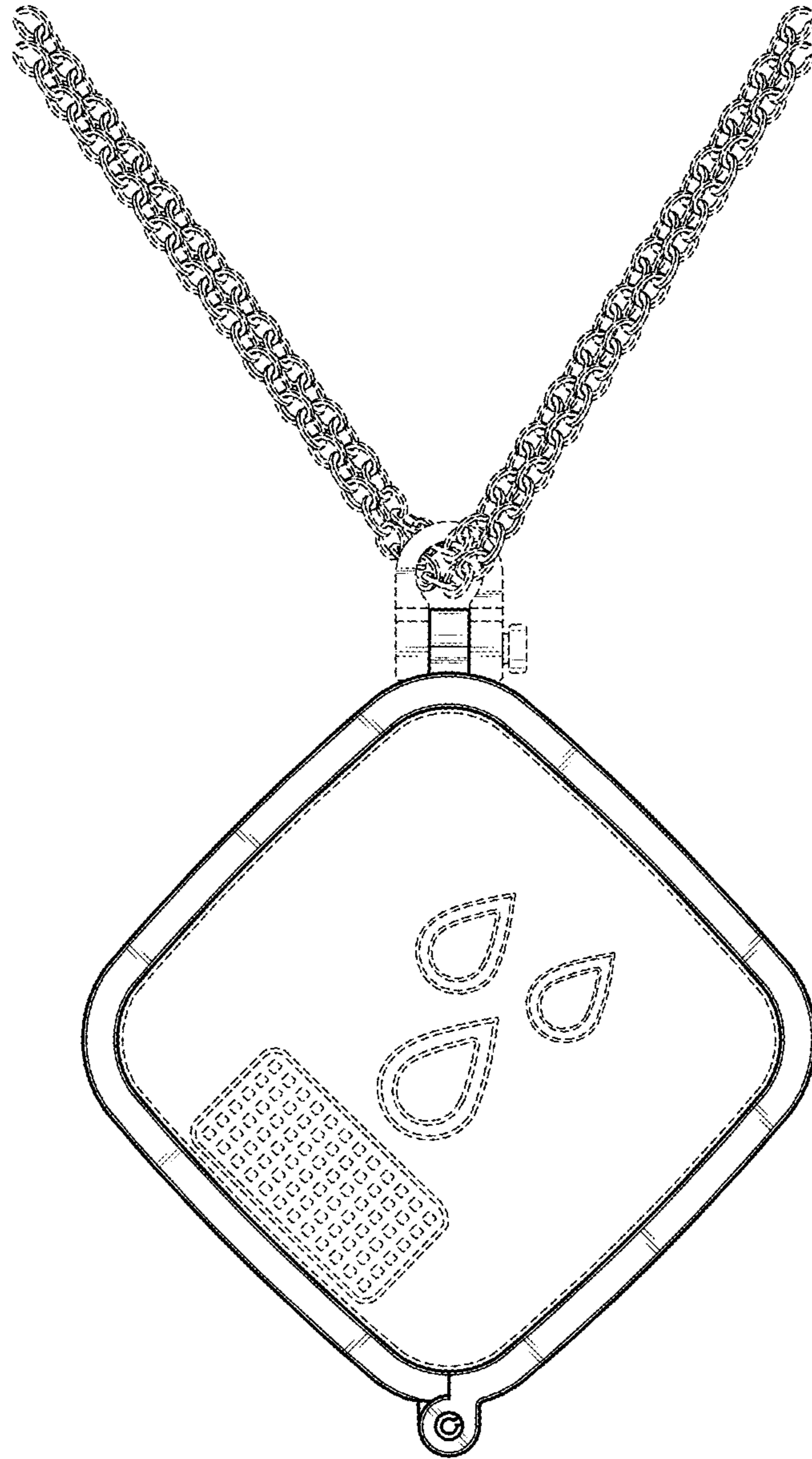


FIG. 10