



US00D924081S

(12) **United States Design Patent**  
**Li**

(10) **Patent No.:** **US D924,081 S**

(45) **Date of Patent:** **\*\* Jul. 6, 2021**

(54) **INFRARED THERMOMETER**

(71) Applicant: **Shenzhen Finicare Co., Ltd.**, Shenzhen (CN)

(72) Inventor: **Chao Li**, Guangdong (CN)

(\*\*) Term: **15 Years**

(21) Appl. No.: **29/697,431**

(22) Filed: **Jul. 9, 2019**

(51) **LOC (13) Cl.** ..... **10-04**

(52) **U.S. Cl.**  
USPC ..... **D10/57**

(58) **Field of Classification Search**  
USPC ..... D10/57

CPC .... G01J 5/04; G01J 5/041; G01J 5/042; G01J 5/043; G01J 5/044; G01J 5/045; G01J 5/046; G01J 5/047; G01J 5/048; G01J 5/049; G01J 5/0265; G01K 1/02; G01K 1/022; G01K 1/024; G01K 1/08; G01K 1/083; G01K 1/086; G01K 3/00; G01K 3/14; G01K 2003/145; G01K 13/002; G01K 13/004; G01K 2219/00; G01K 5/04-5/225; G01K 5/22; G01K 221/00

See application file for complete search history.

(56) **References Cited**

U.S. PATENT DOCUMENTS

D827,457 S \* 9/2018 Liu ..... D10/57  
D842,137 S \* 3/2019 Wang ..... D10/57  
D881,041 S \* 4/2020 Luo ..... D10/57

\* cited by examiner

*Primary Examiner* — Antoine Duval Davis

(74) *Attorney, Agent, or Firm* — Prakash Nama; Global IP Services, PLLC

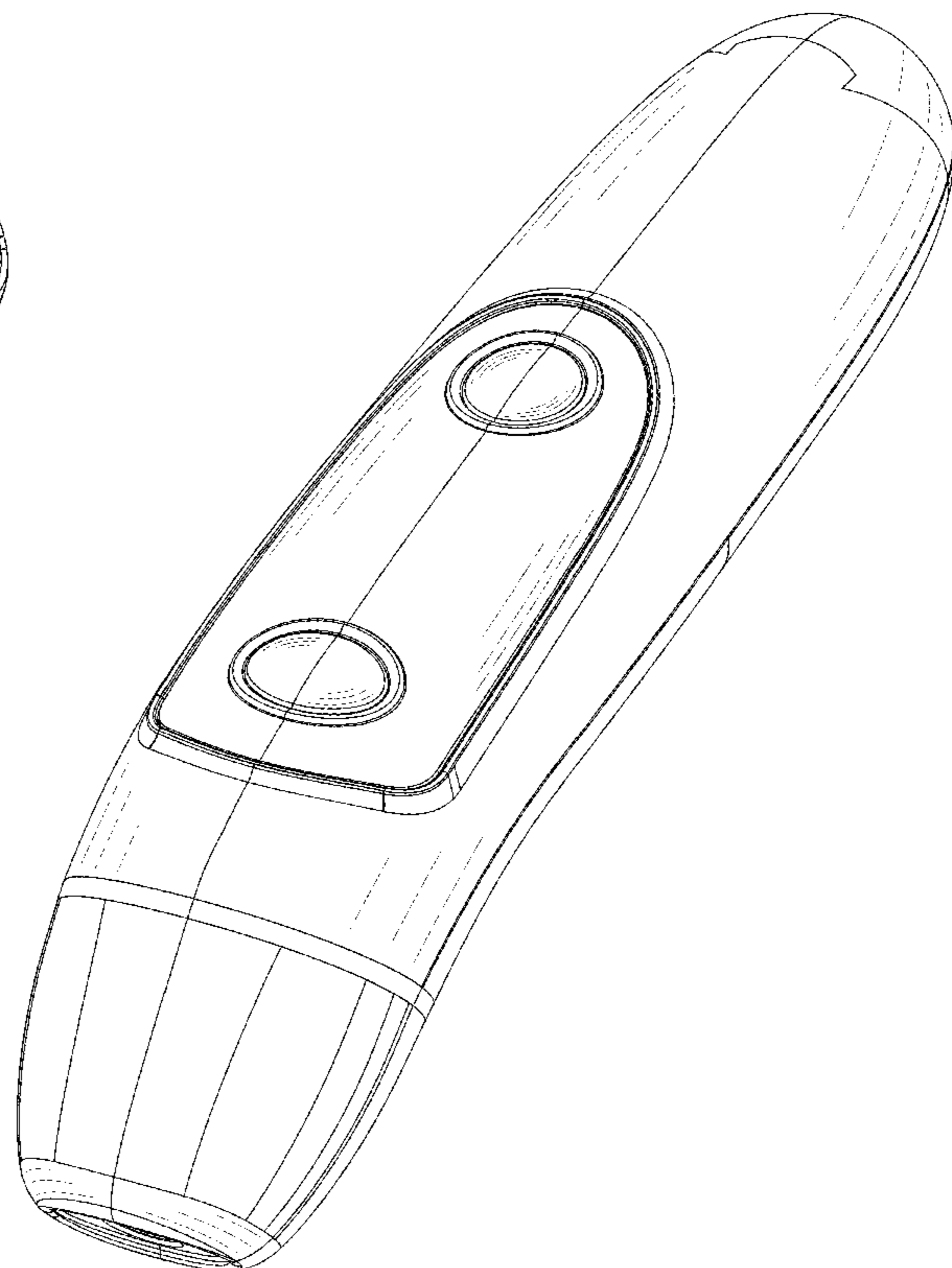
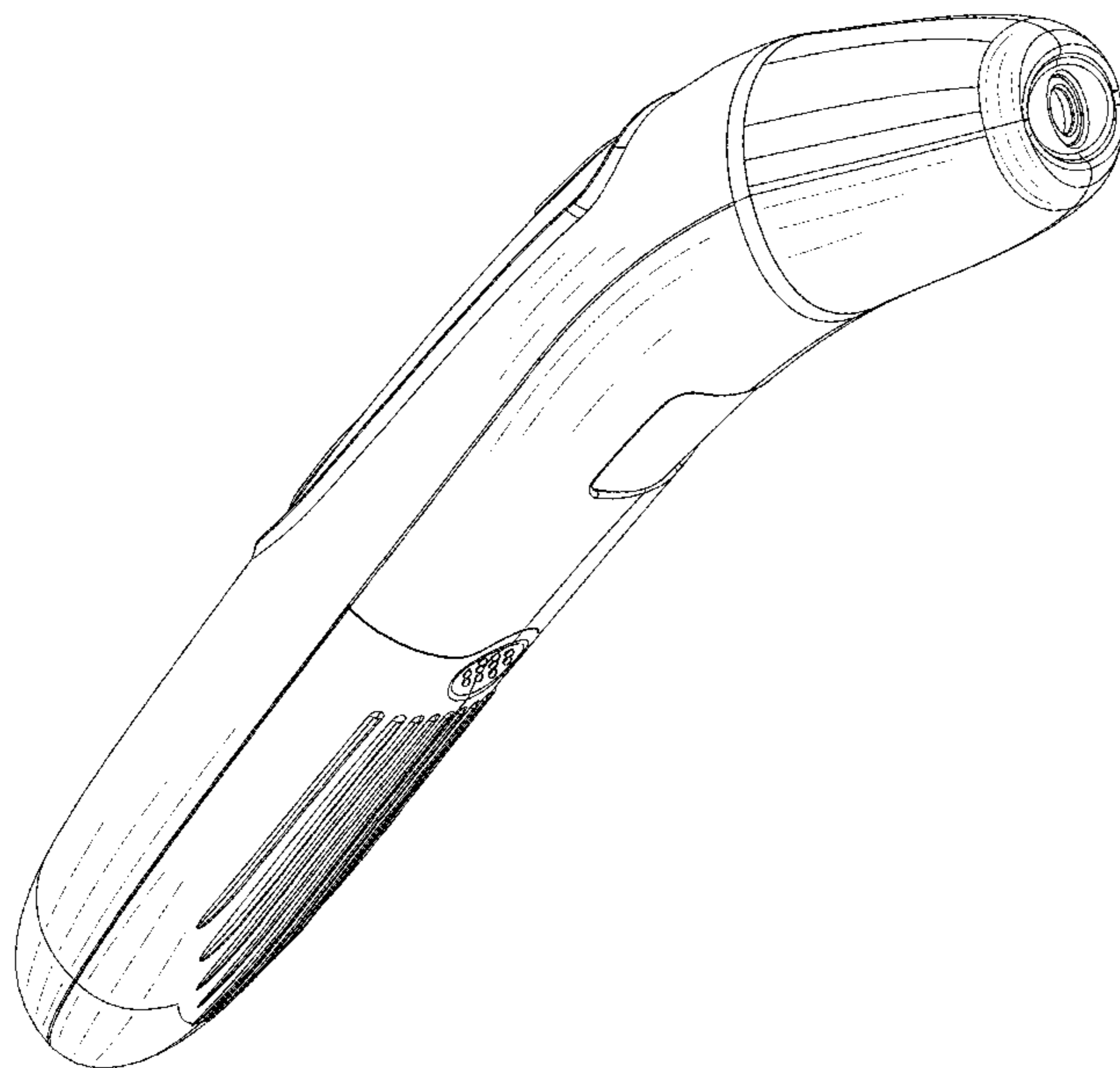
(57) **CLAIM**

The ornamental design for an infrared thermometer, as shown.

**DESCRIPTION**

FIG. 1 is a rear elevational view of an infrared thermometer showing my new design;  
FIG. 2 is a front elevational view thereof;  
FIG. 3 is a right side view thereof;  
FIG. 4 is a left side view thereof;  
FIG. 5 is a bottom plan view thereof;  
FIG. 6 is a top plan view thereof;  
FIG. 7 is a perspective view thereof; and,  
FIG. 8 is another perspective view thereof.

**1 Claim, 5 Drawing Sheets**



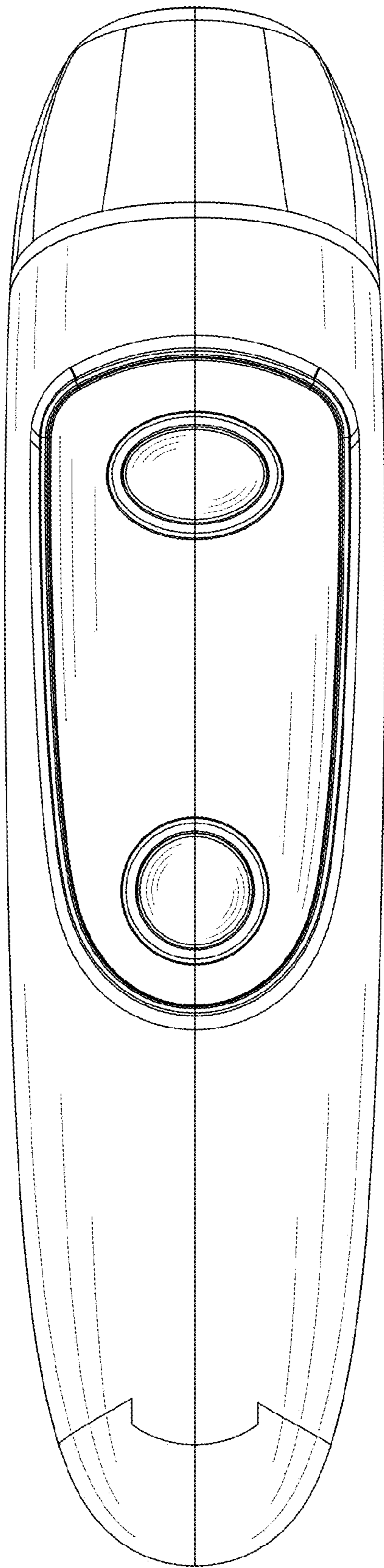


Fig. 1

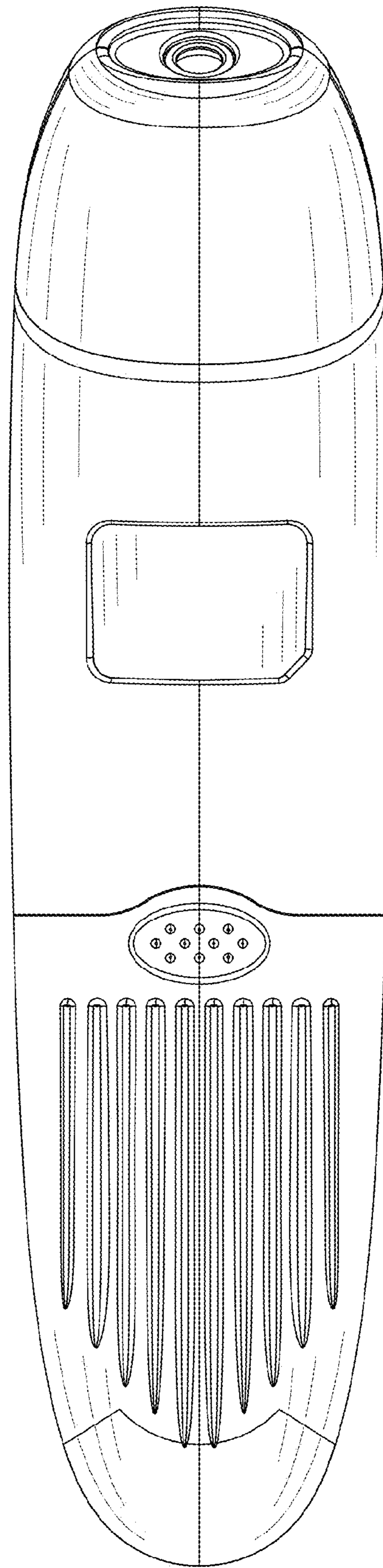


Fig. 2

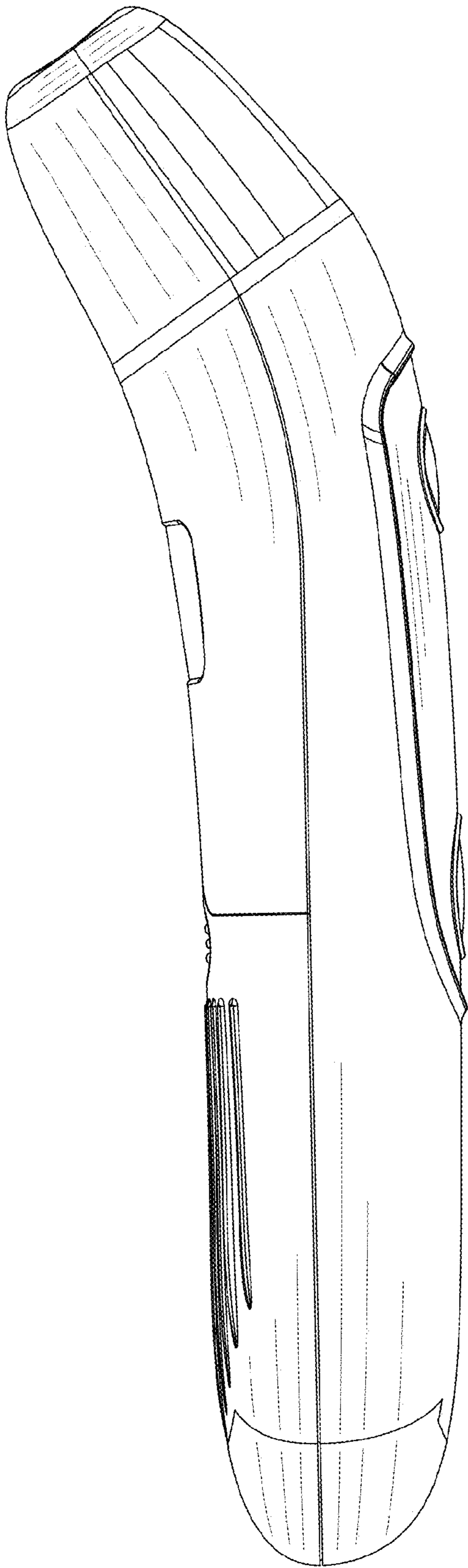


Fig.3

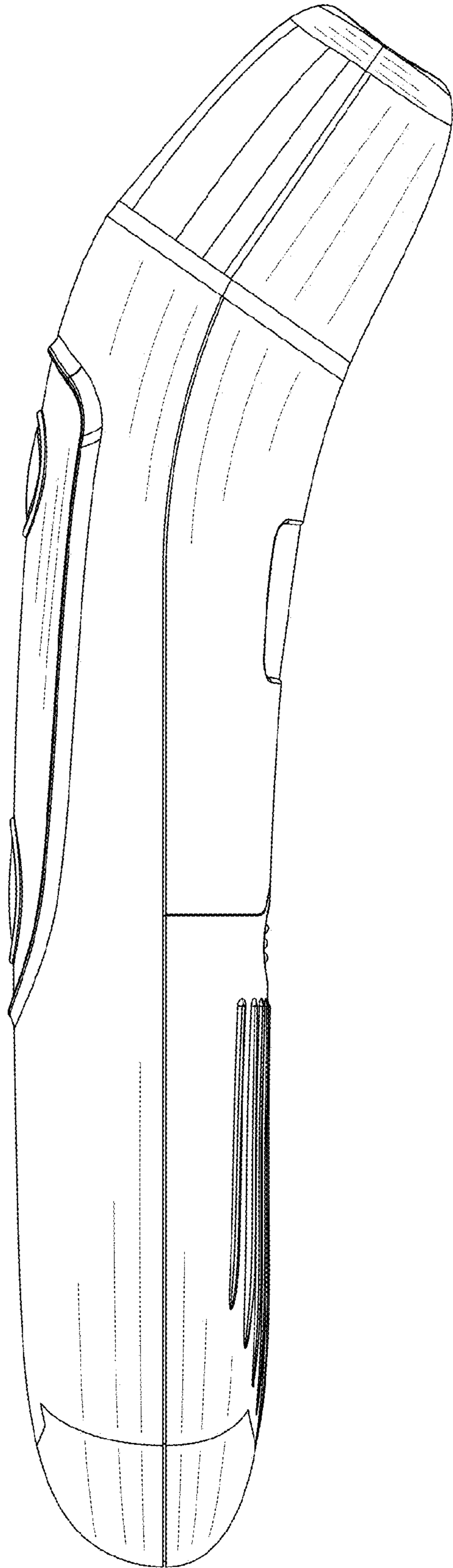


Fig.4

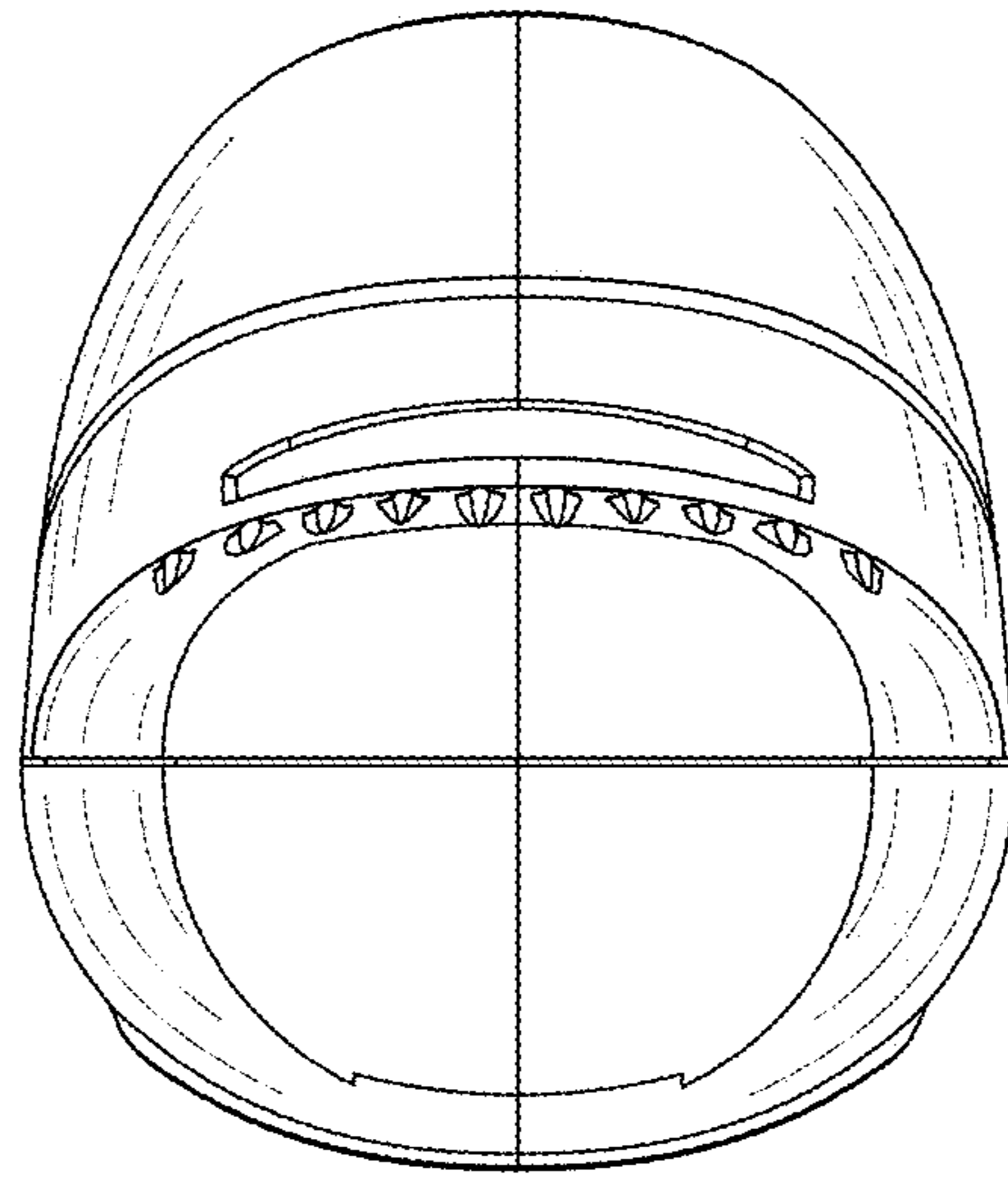


Fig.5

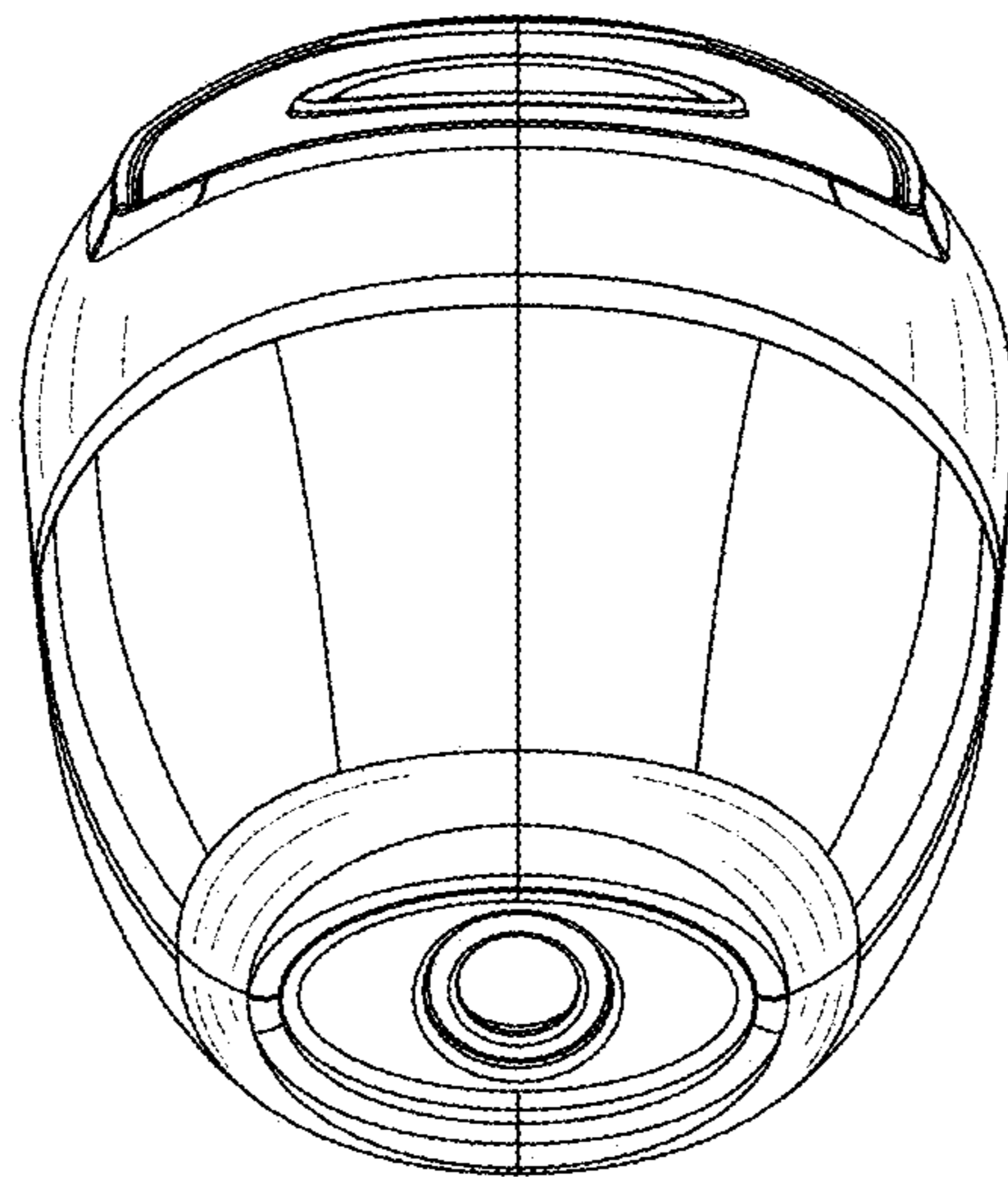


Fig.6

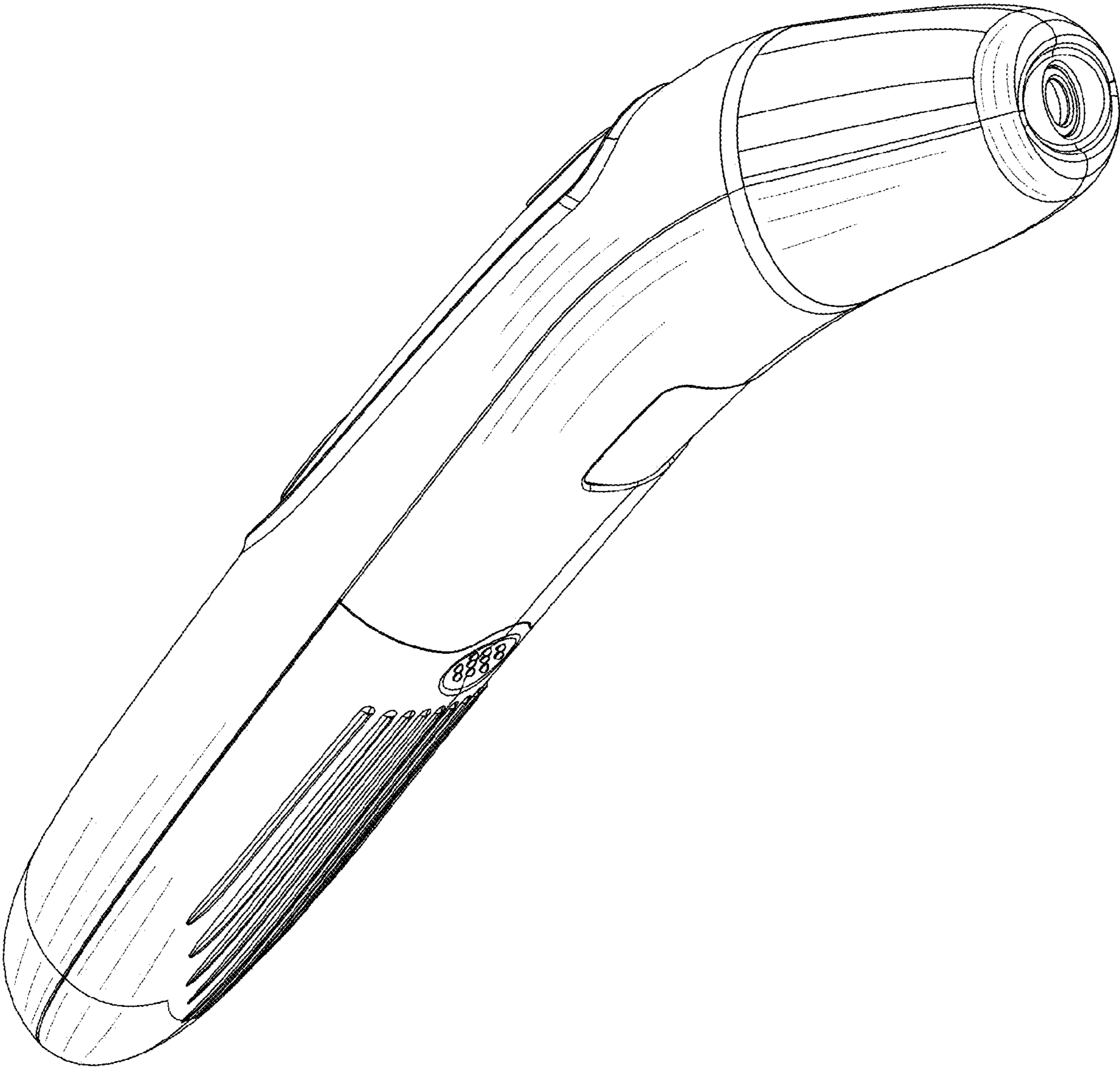


Fig.7

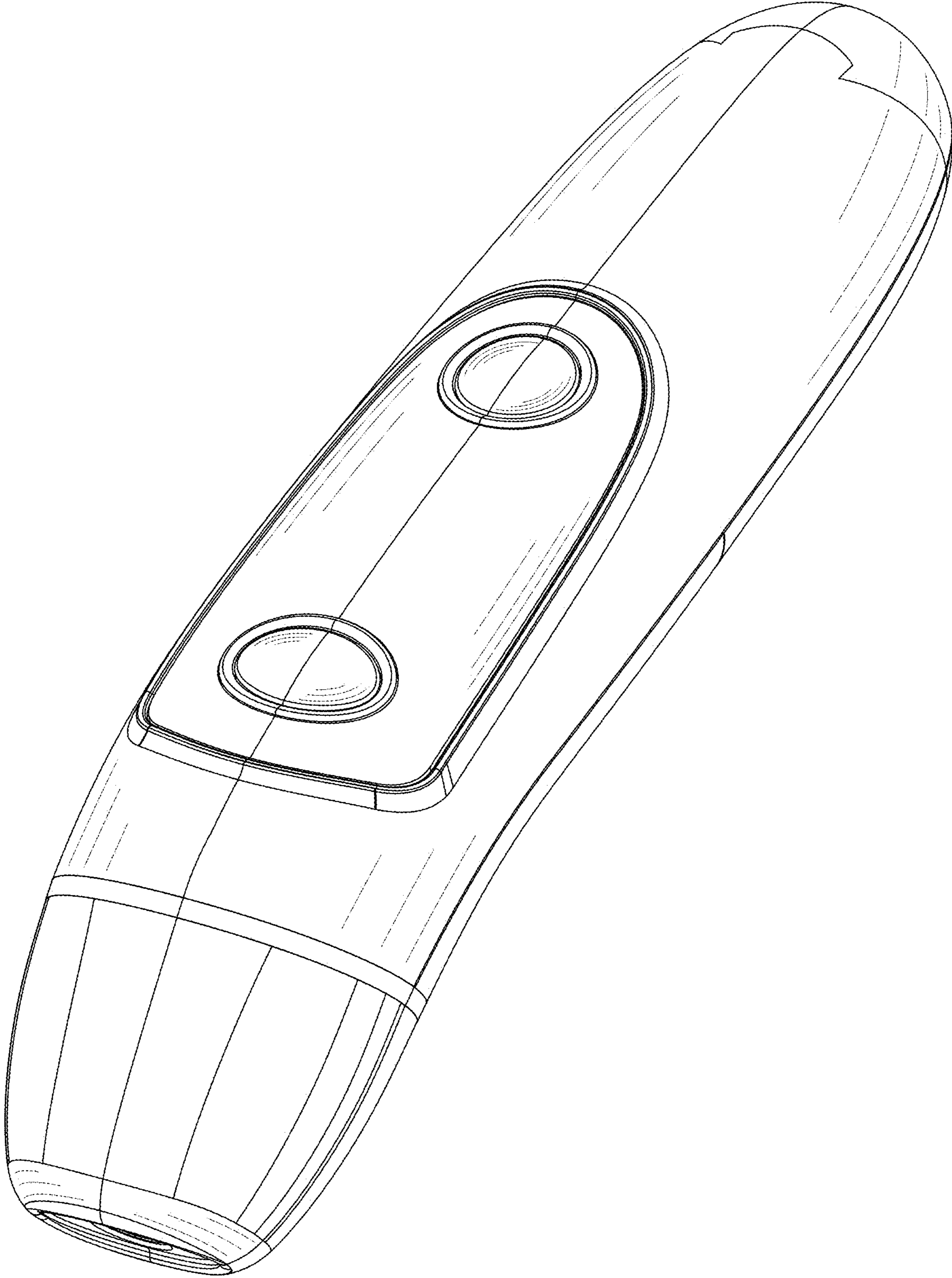


Fig.8