



US00D924080S

(12) **United States Design Patent**  
**Duchosal**

(10) **Patent No.:** **US D924,080 S**

(45) **Date of Patent:** **\*\* Jul. 6, 2021**

(54) **AIR SENSOR**

(71) Applicant: **SOMFY ACTIVITES SA**, Cluses (FR)

(72) Inventor: **François Duchosal**, Annecy (FR)

(\*\*) Term: **15 Years**

(21) Appl. No.: **35/509,063**

(22) Filed: **Jan. 22, 2020**

(80) **Hague Agreement Data**

Int. Filing Date: **Jan. 22, 2020**

Int. Reg. No.: **DM/206835**

Int. Reg. Date: **Jan. 22, 2020**

Int. Reg. Pub. Date: **Apr. 10, 2020**

(51) **LOC (13) Cl.** ..... **10-04**

(52) **U.S. Cl.**  
USPC ..... **D10/52**

(58) **Field of Classification Search**  
USPC ..... D10/49, 52, 53, 55; D26/152, 120  
See application file for complete search history.

(56) **References Cited**

**U.S. PATENT DOCUMENTS**

|            |   |         |          |       |         |
|------------|---|---------|----------|-------|---------|
| D717,183 S | * | 11/2014 | Herzl    | ..... | D10/53  |
| D741,539 S | * | 10/2015 | Gettings | ..... | D26/152 |
| D741,728 S | * | 10/2015 | Gettings | ..... | D10/52  |
| D742,059 S | * | 10/2015 | Gettings | ..... | D26/120 |
| D742,583 S | * | 11/2015 | Gettings | ..... | D26/152 |
| D743,094 S | * | 11/2015 | Gettings | ..... | D26/152 |
| D746,511 S | * | 12/2015 | Gettings | ..... | D26/152 |

|            |   |         |             |       |           |
|------------|---|---------|-------------|-------|-----------|
| D747,224 S | * | 1/2016  | Decook      | ..... | D10/49    |
| D800,002 S | * | 10/2017 | Yang        | ..... | D10/81    |
| D816,521 S | * | 5/2018  | Hu          | ..... | D10/52    |
| D842,154 S | * | 3/2019  | Dimitriadis | ..... | D10/106.2 |
| D849,570 S | * | 5/2019  | Sakalowsky  | ..... | D10/52    |
| D860,829 S | * | 9/2019  | Yun         | ..... | D10/53    |
| D882,425 S | * | 4/2020  | Judice      | ..... | D10/52    |
| D890,008 S | * | 7/2020  | Xiong       | ..... | D10/106.2 |
| D900,652 S | * | 11/2020 | Zhou        | ..... | D10/53    |
| D907,514 S | * | 1/2021  | Lambert     | ..... | D10/53    |

\* cited by examiner

*Primary Examiner* — George D. Kirschbaum

(57) **CLAIM**

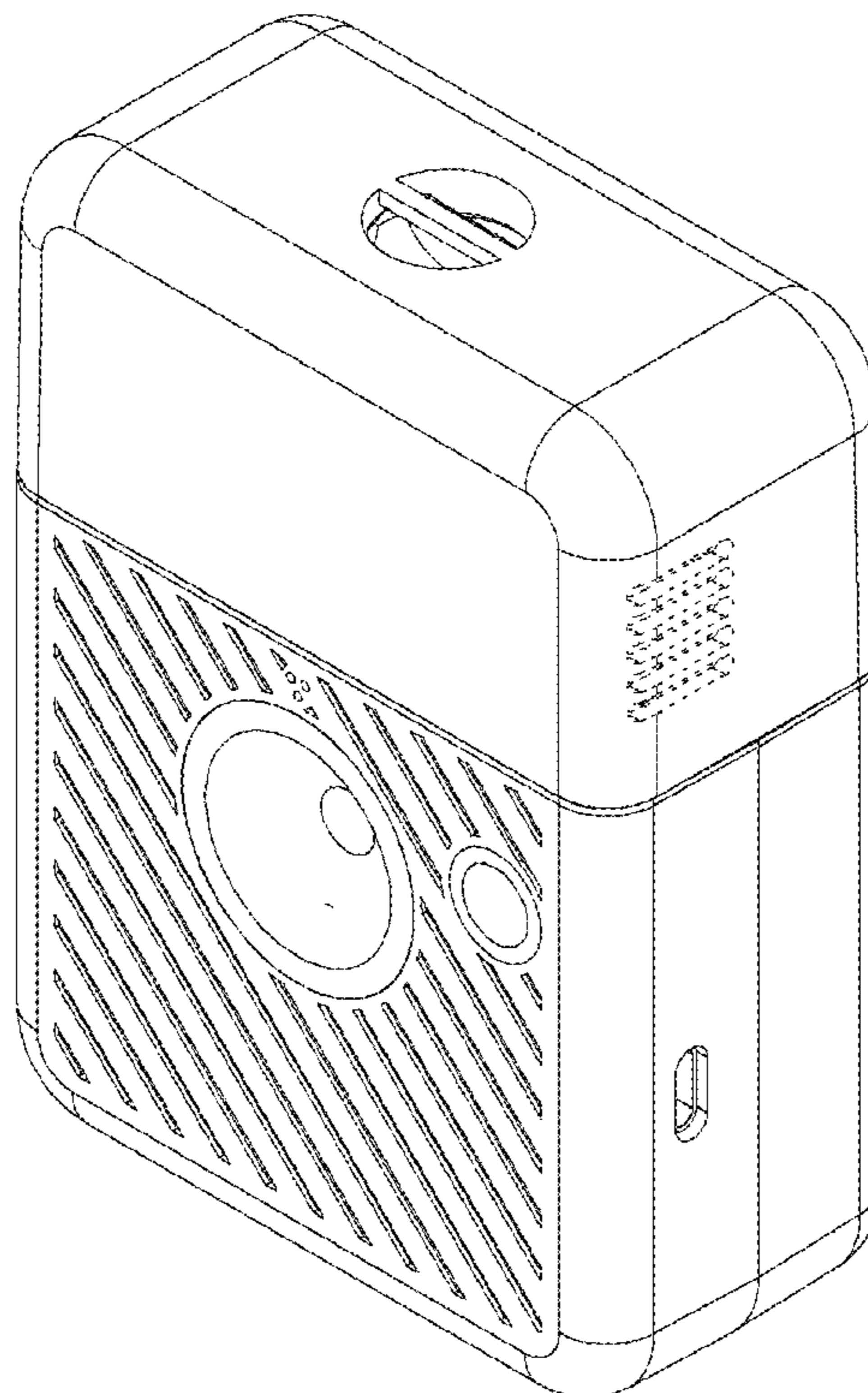
The ornamental design for an air sensor, as shown and described.

**DESCRIPTION**

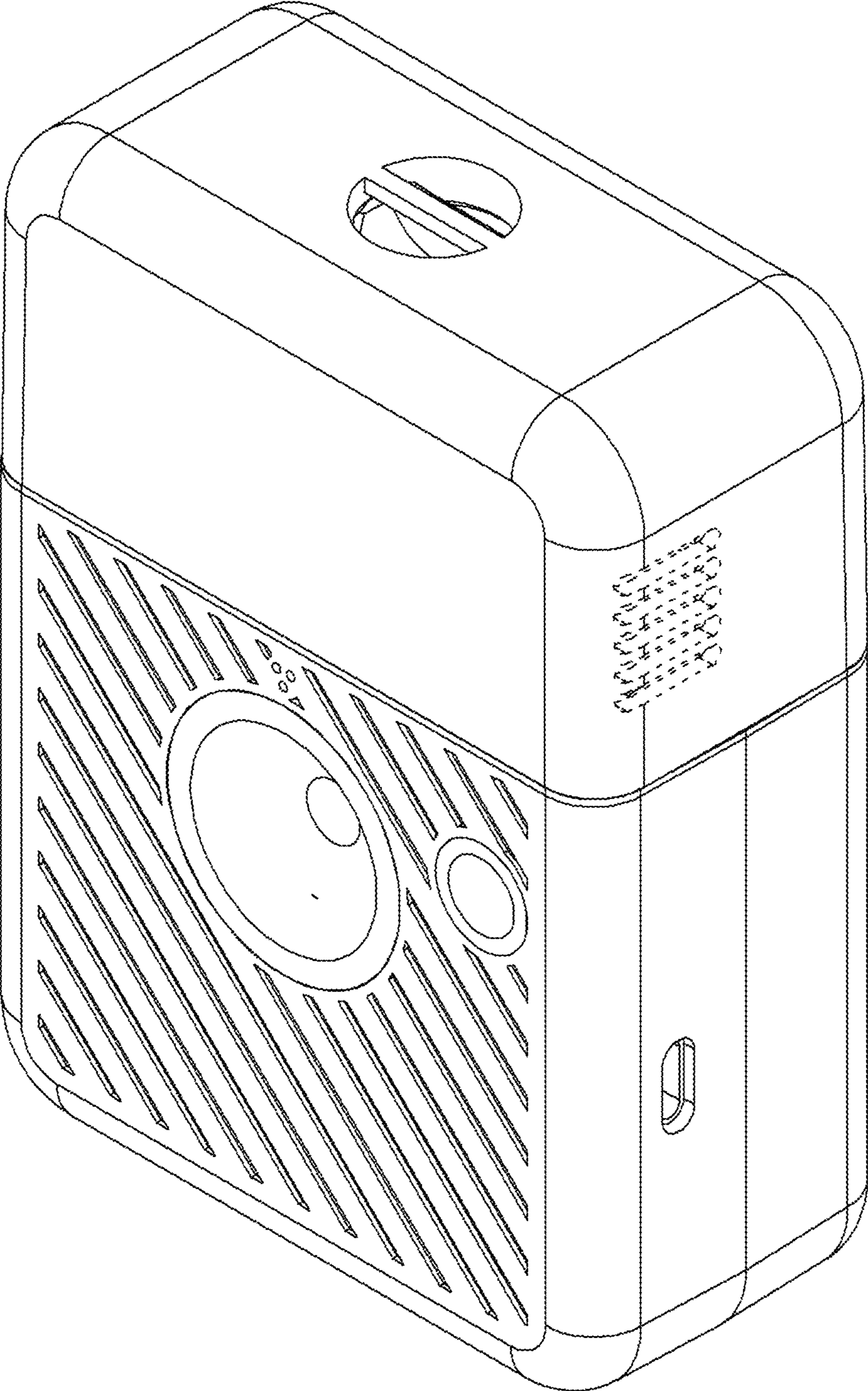
- 1. Air sensor
- 1.1 : Perspective
- 1.2 : Front
- 1.3 : Back
- 1.4 : Right
- 1.5 : Left
- 1.6 : Top
- 1.7 : Bottom

The broken line showing is included for the purpose of illustrating portions of the “article” and forms no part of the claimed design.

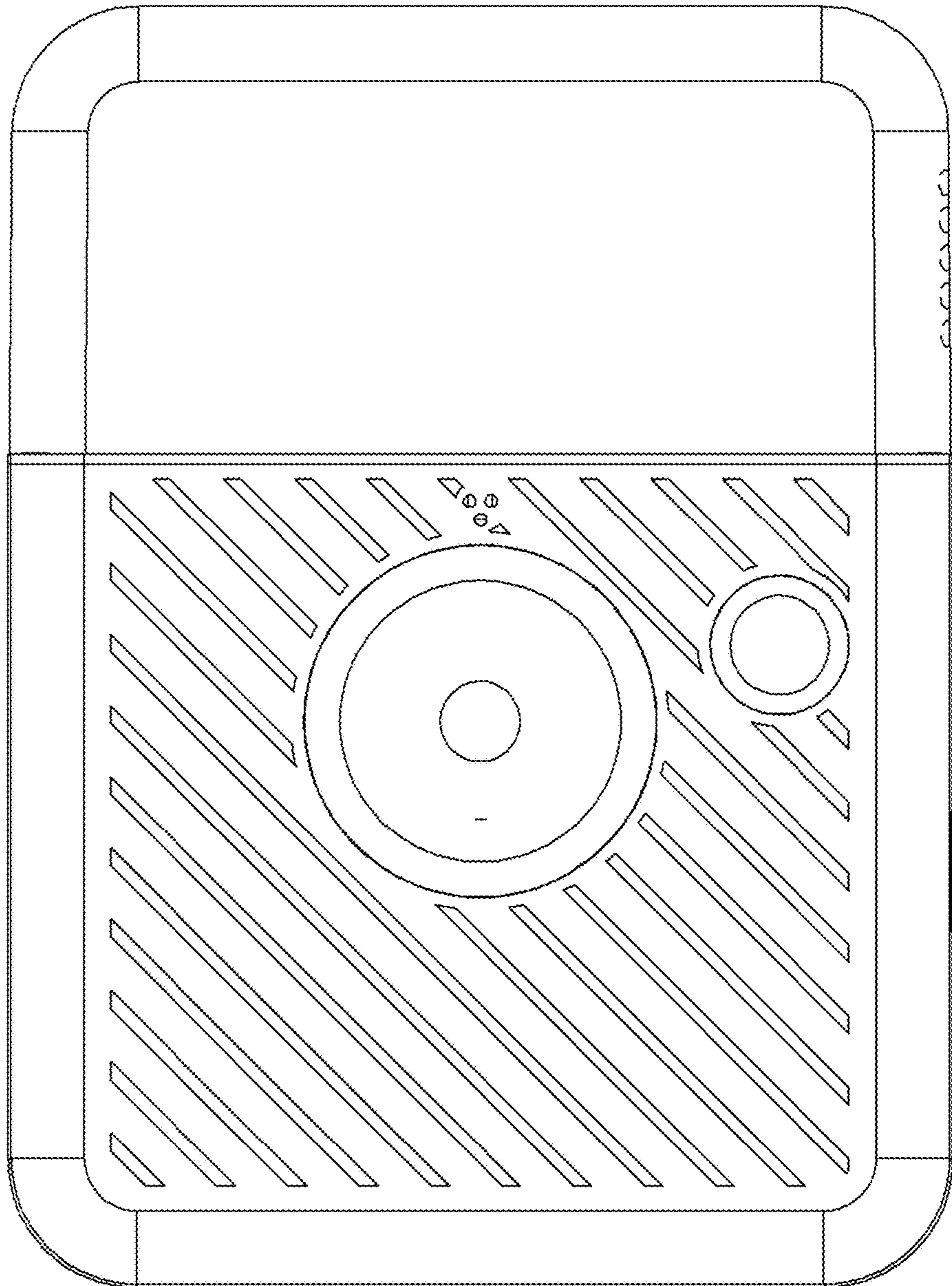
**1 Claim, 7 Drawing Sheets**



1.1

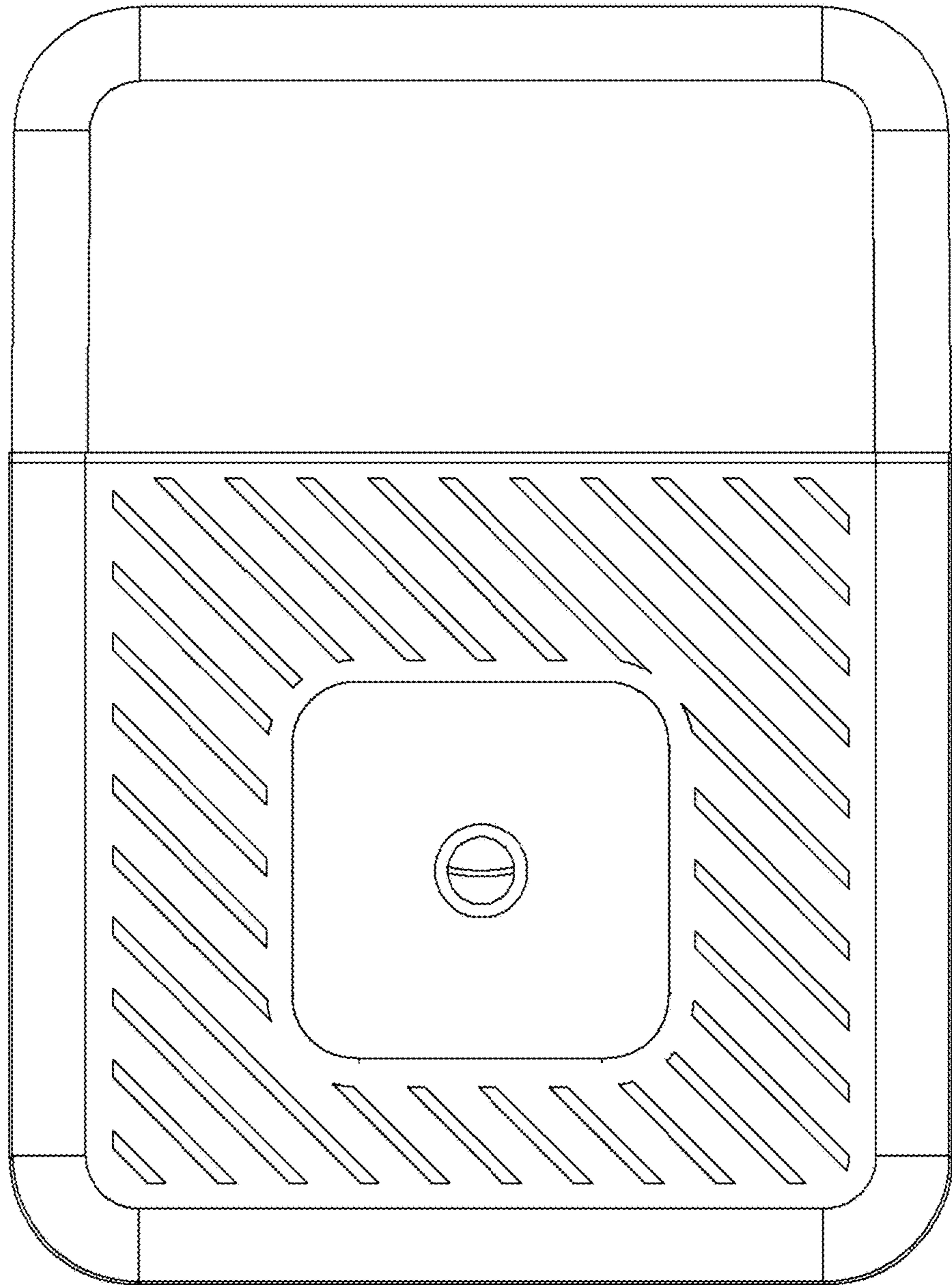


1.2

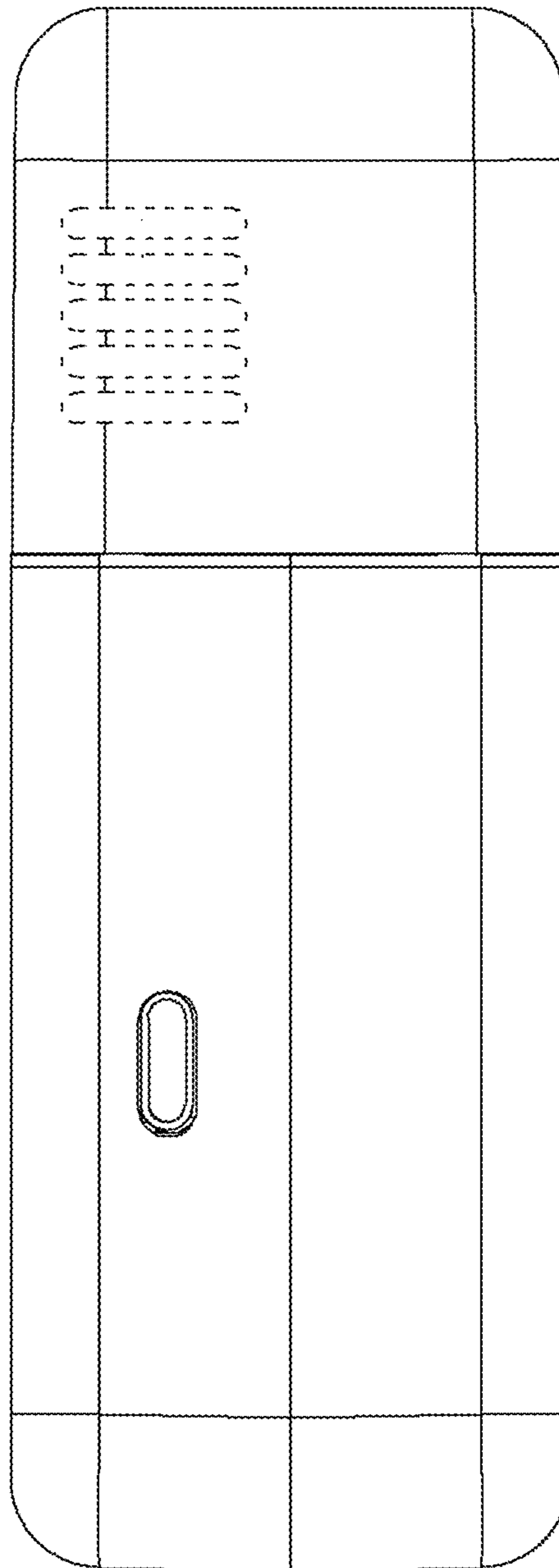




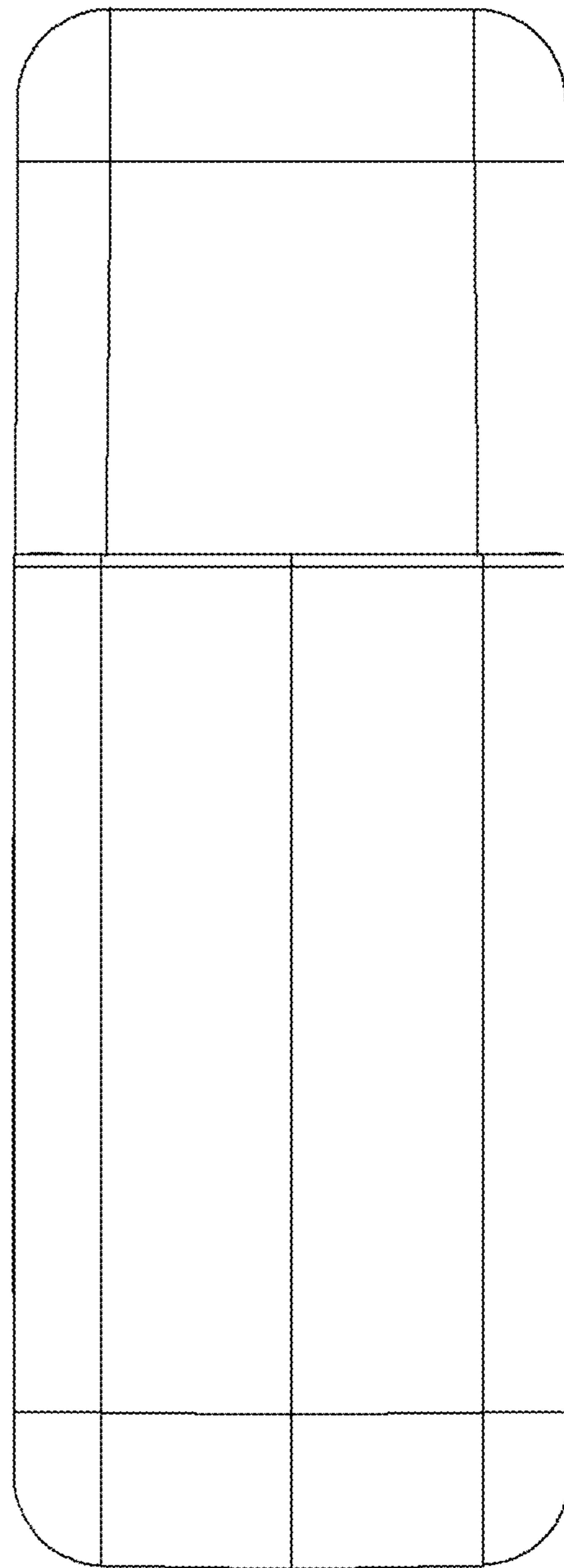
1.3



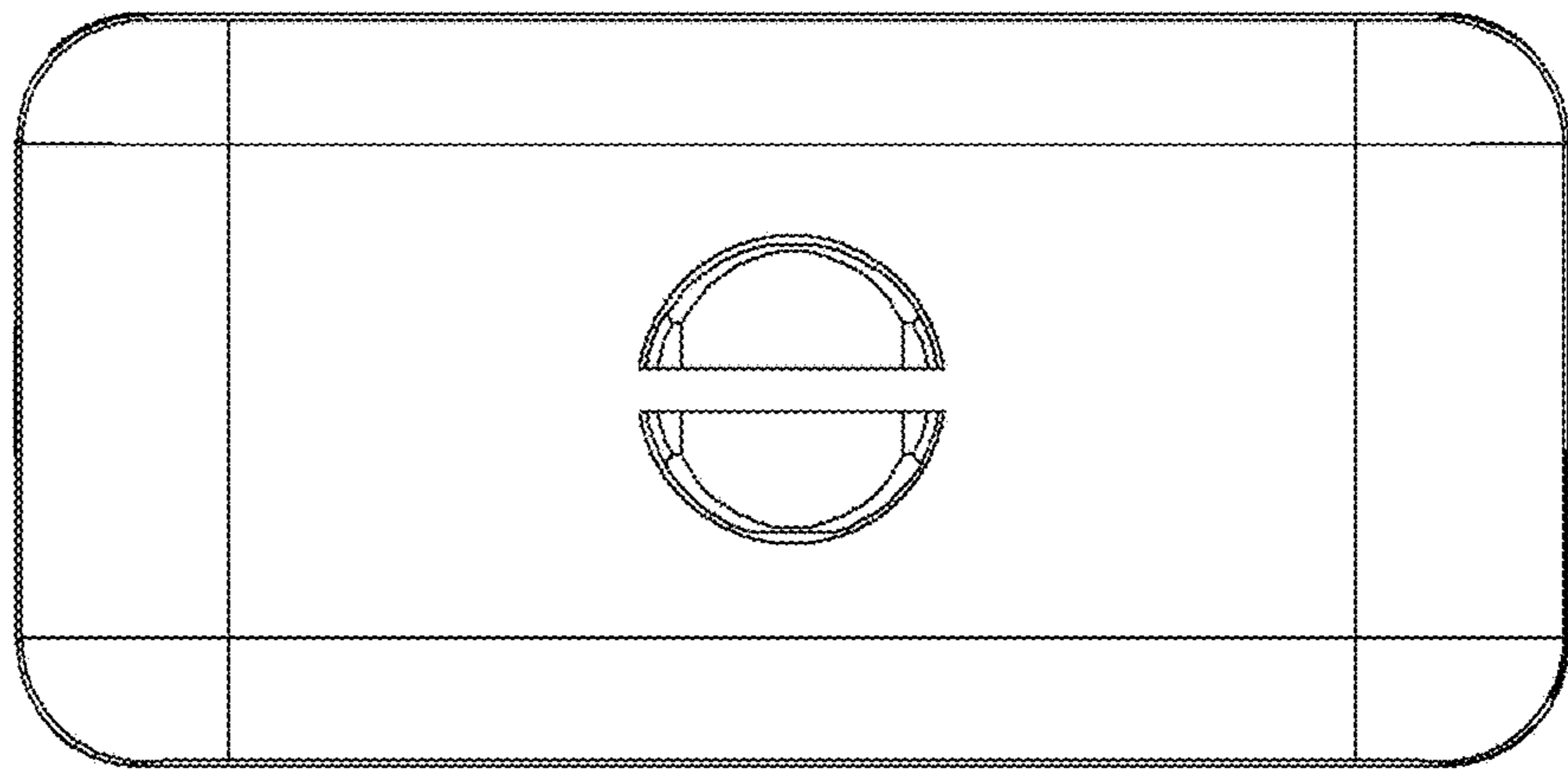
1.4



1.5



1.6



1.7

