



US00D924079S

(12) **United States Design Patent**
Mille

(10) **Patent No.:** **US D924,079 S**

(45) **Date of Patent:** **** Jul. 6, 2021**

- (54) **WATCH**
- (71) Applicant: **Turlen Holding SA**, Les Breuleux (CH)
- (72) Inventor: **Richard Mille**, Moulins (FR)
- (73) Assignee: **TURLEN HOLDING SA**, Les Breuleux (CH)
- (**) Term: **15 Years**

D570,710 S *	6/2008	Wong	D10/30
D596,051 S *	7/2009	Mille	D10/38
D606,888 S *	12/2009	Mille	D10/38
D617,211 S *	6/2010	Grimoldi	D10/38
D658,515 S *	5/2012	Mille	D10/39
D708,075 S *	7/2014	Mille	D10/39
D710,216 S *	8/2014	Mille	D10/38
D714,662 S *	10/2014	Mille	D10/39
D715,164 S *	10/2014	Tedeschi	D10/38
D725,500 S *	3/2015	Biver	D10/39

(Continued)

- (21) Appl. No.: **29/690,947**
- (22) Filed: **May 13, 2019**
- (30) **Foreign Application Priority Data**

Nov. 26, 2018 (WO) 970002219

- (51) **LOC (13) Cl.** **10-02**
- (52) **U.S. Cl.**
USPC **D10/39**

- (58) **Field of Classification Search**
USPC D10/30-39, 70, 97-98, 121-126, 128, D10/131
CPC G04B 19/00; G04B 19/025; G04B 19/04; G04B 19/048; G04B 19/08; G04B 19/085; G04B 19/10; G04B 19/12; G04B 19/226; G04B 19/23; G04B 37/00; G04B 37/0058; G04B 45/00; G04B 45/02; G04B 45/0038; G04B 45/0061; G04B 45/0069; G04B 45/0076; G04G 19/06; G04G 19/065; G04G 19/087; G04G 19/24; G04G 19/243; G04G 19/24306; G04G 19/247

See application file for complete search history.

- (56) **References Cited**
U.S. PATENT DOCUMENTS

D245,400 S *	8/1977	Osawa	D10/30
D480,656 S *	10/2003	Peled	D10/131
D539,674 S *	4/2007	Vaptzarof	D10/38

OTHER PUBLICATIONS

Introducing Richard Mille RM 62-01 Tourbillon Vibrating Alarm | posted at hodinkee.com Oct. 2019 [online], © 2009-2020, Hodinkee Inc [retrieved Sep. 10, 2020] from Internet: <https://www.hodinkee.com/articles/richard-mille-rm-62-01-tourbillon-vibrating-alarm-introducing> (Year: 2019).*

Primary Examiner — Sandra Snapp

Assistant Examiner — Katherine Glennon

(74) *Attorney, Agent, or Firm* — Donald J. Ranft; Collen

(57) **CLAIM**

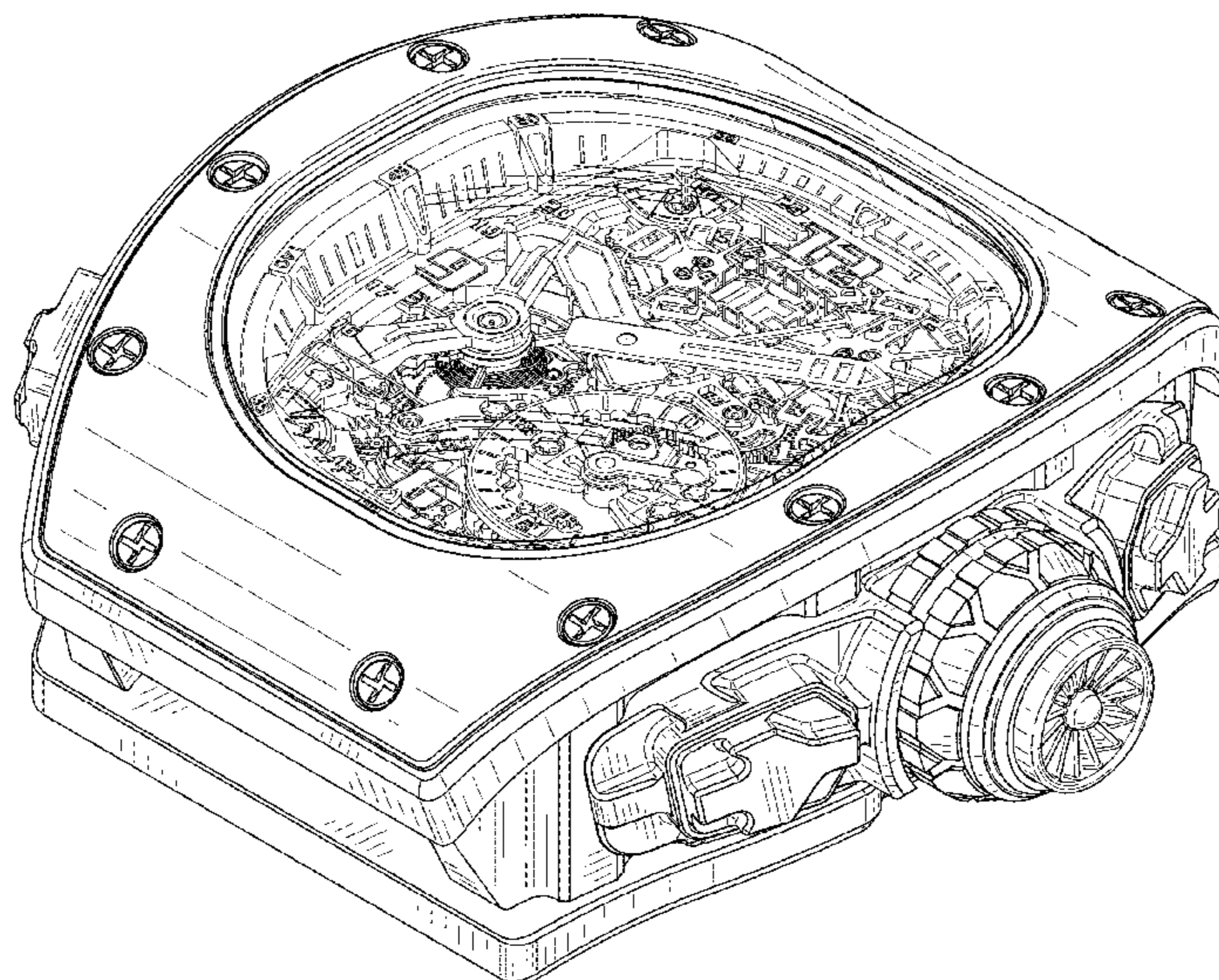
The ornamental design for a watch, as shown and described.

DESCRIPTION

FIG. 1 is a front right perspective view of a watch showing my new design;
 FIG. 2 is a rear left perspective view thereof;
 FIG. 3 is a front left perspective view thereof;
 FIG. 4 is a rear right view thereof;
 FIG. 5 is a front view thereof;
 FIG. 6 is a rear view thereof;
 FIG. 7 is a left side view thereof;
 FIG. 8 is a right side view thereof;
 FIG. 9 is a bottom view thereof; and,
 FIG. 10 is a top view thereof.

The portions of the watch shown in broken lines form no part of the claimed design.

1 Claim, 10 Drawing Sheets



(56)

References Cited

U.S. PATENT DOCUMENTS

D731,900 S *	6/2015	Mille	D10/39
D731,903 S *	6/2015	Mille	D10/39
D737,693 S *	9/2015	Mille	D10/39
D743,814 S *	11/2015	Miodrag	D10/39
D747,982 S *	1/2016	Miodrag	D10/39
D789,806 S *	6/2017	Mille	D10/39
D789,807 S *	6/2017	Mille	D10/39
D798,746 S *	10/2017	Mille	D10/39
D823,138 S *	7/2018	Mille	D10/39
D850,296 S *	6/2019	Mille	D10/39

* cited by examiner

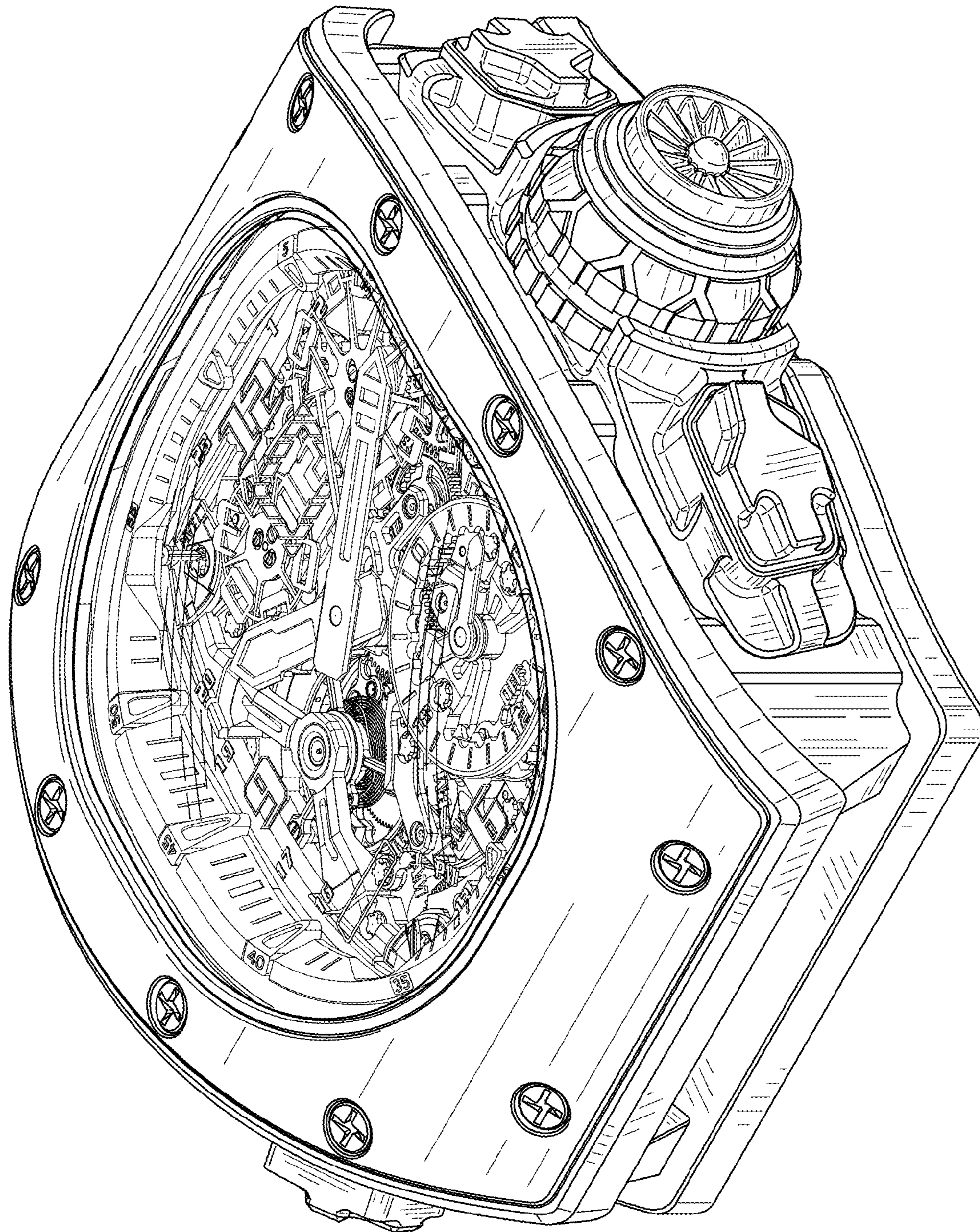


FIG. 1

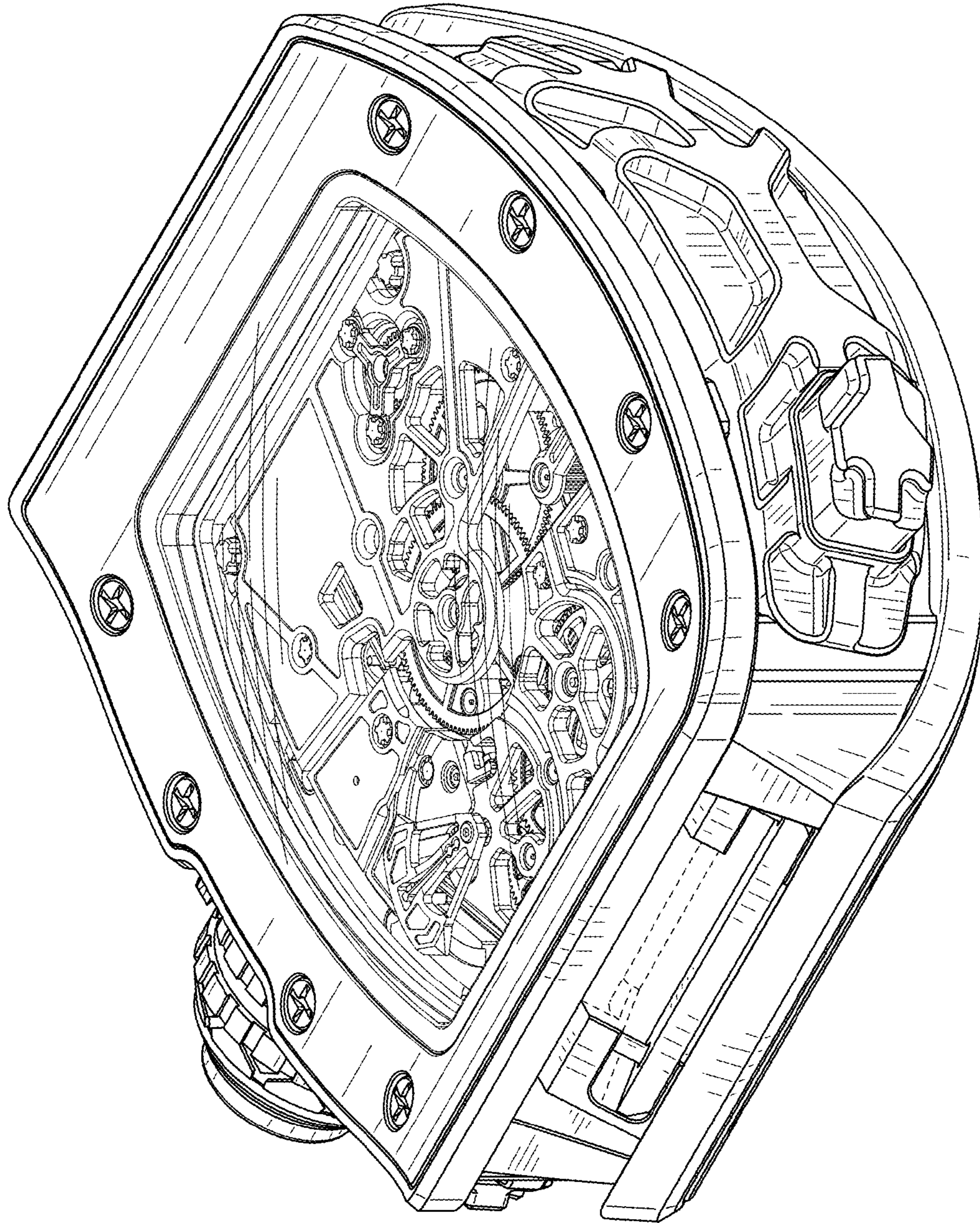


FIG. 2

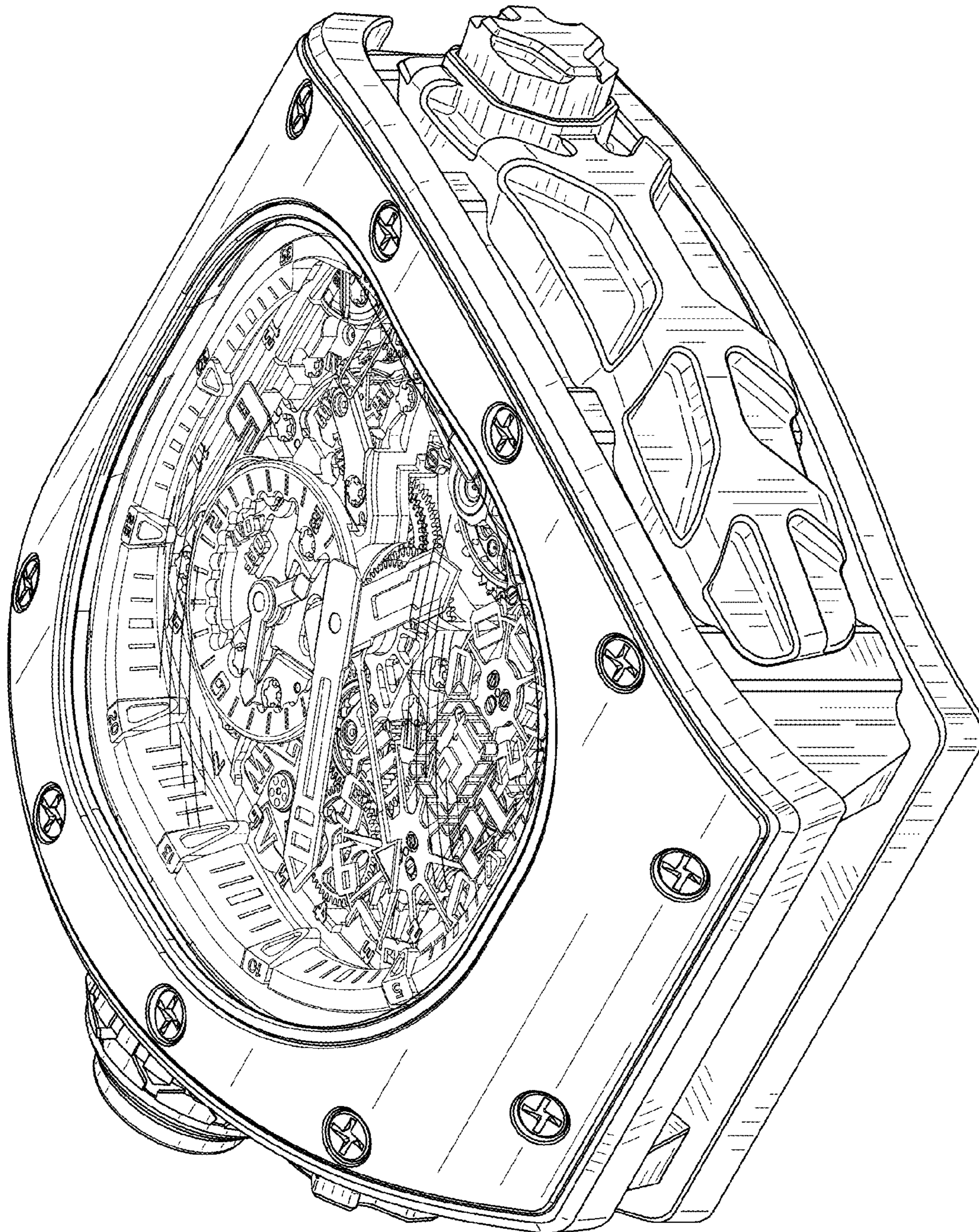


FIG. 3

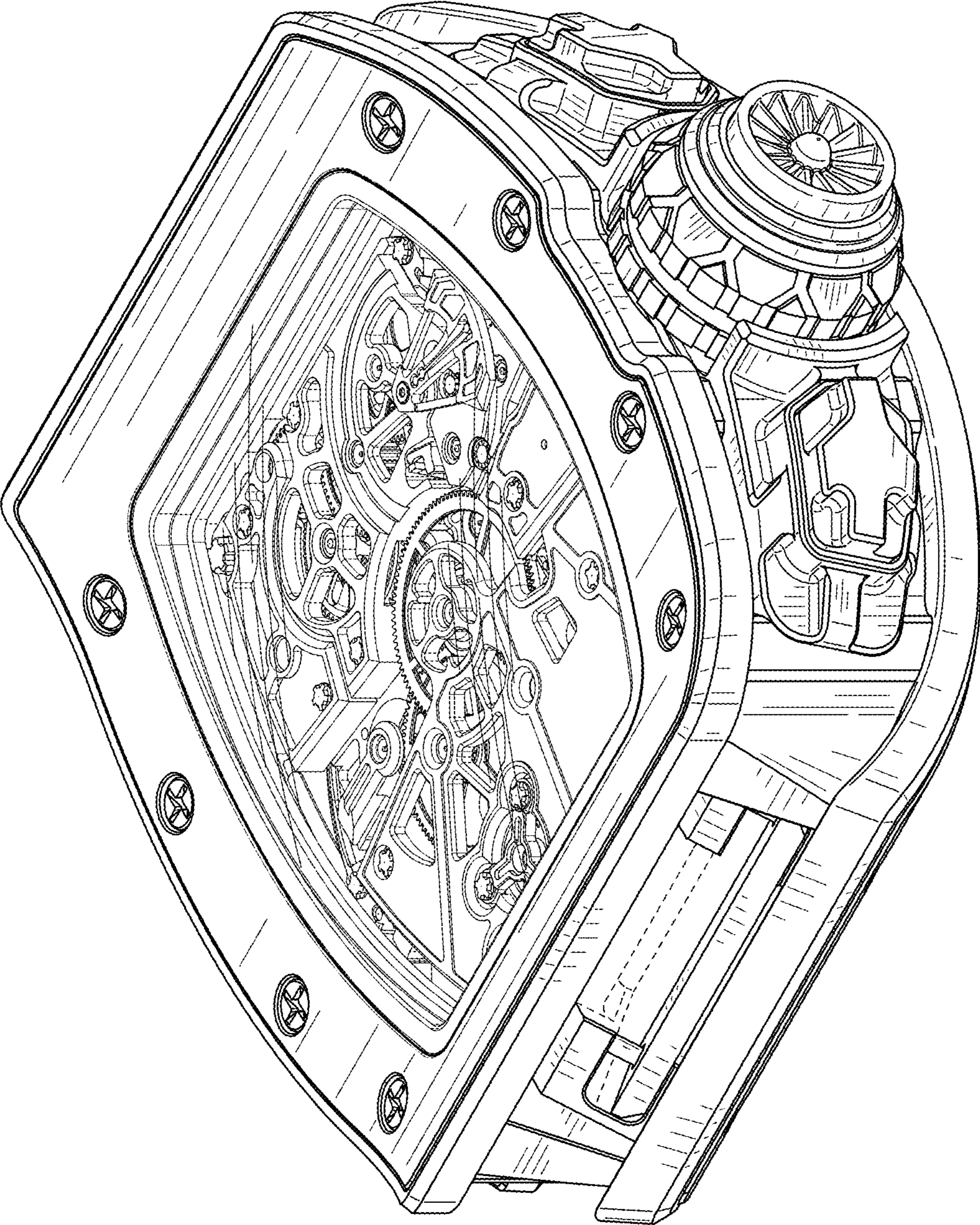


FIG. 4

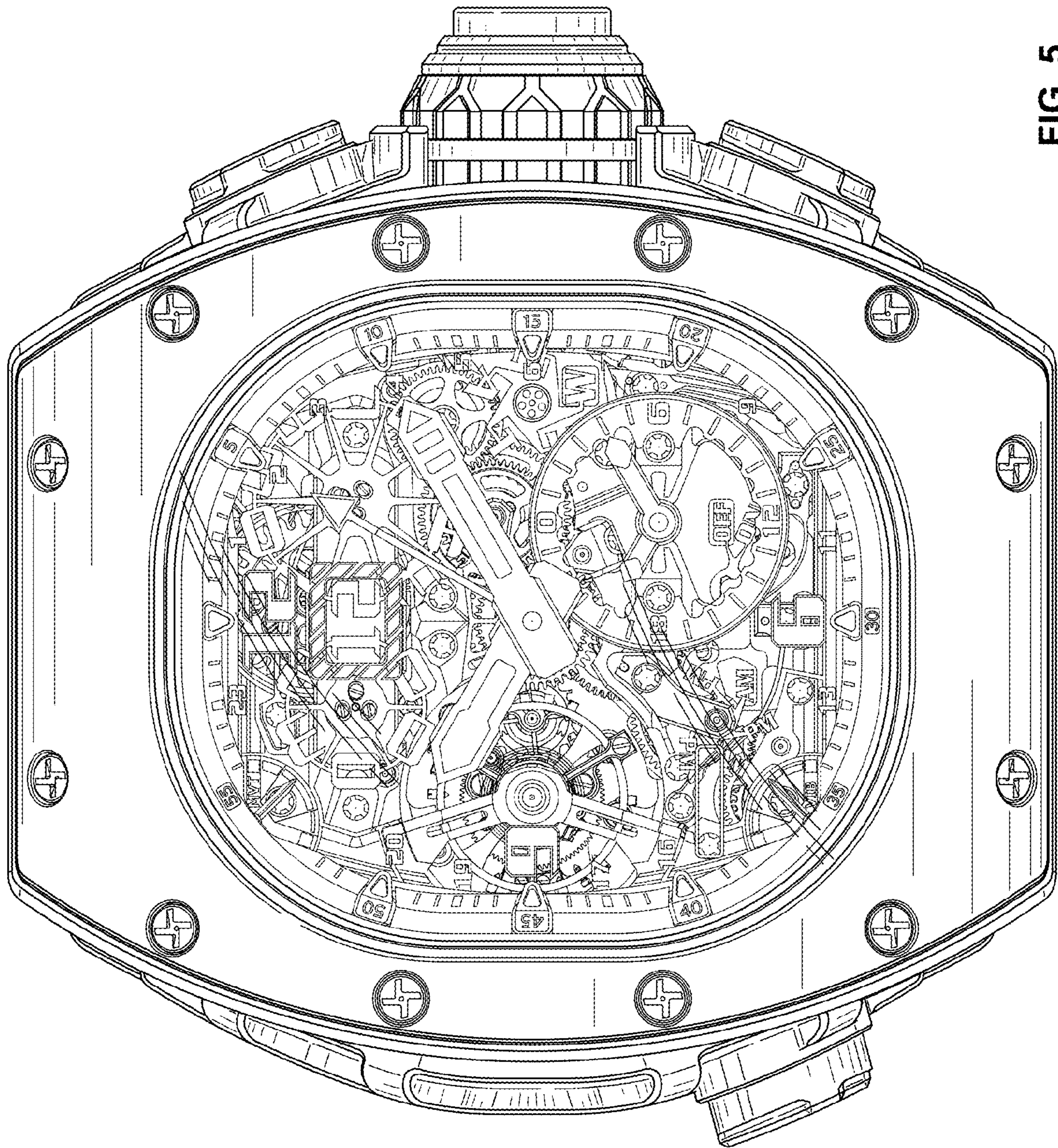


FIG. 5



FIG. 6

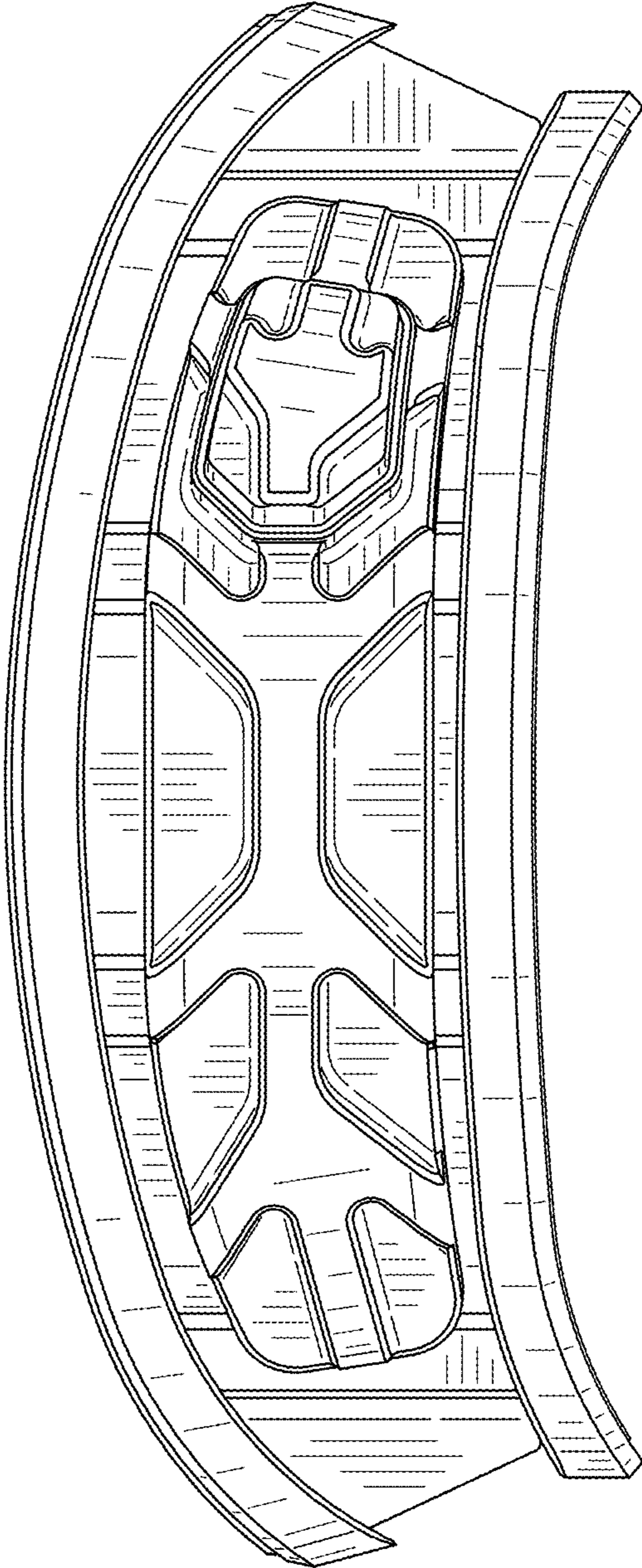


FIG. 7

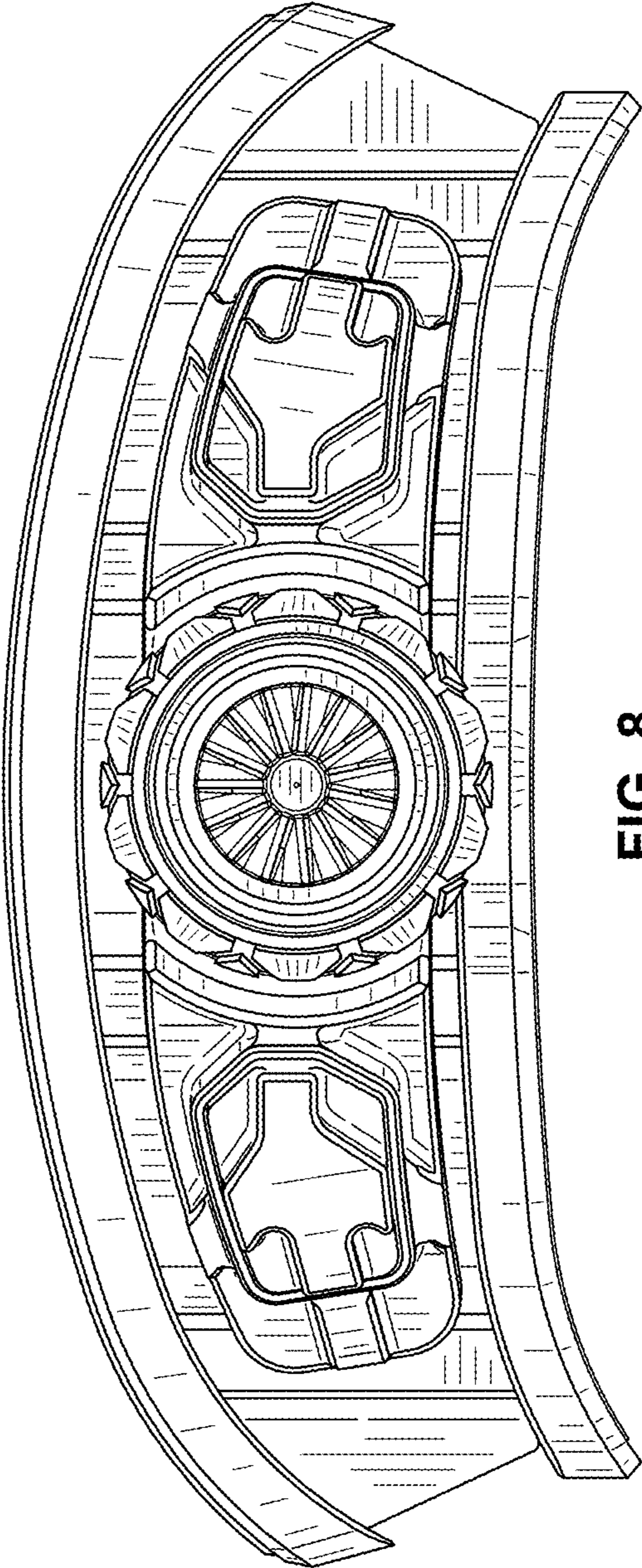


FIG. 8

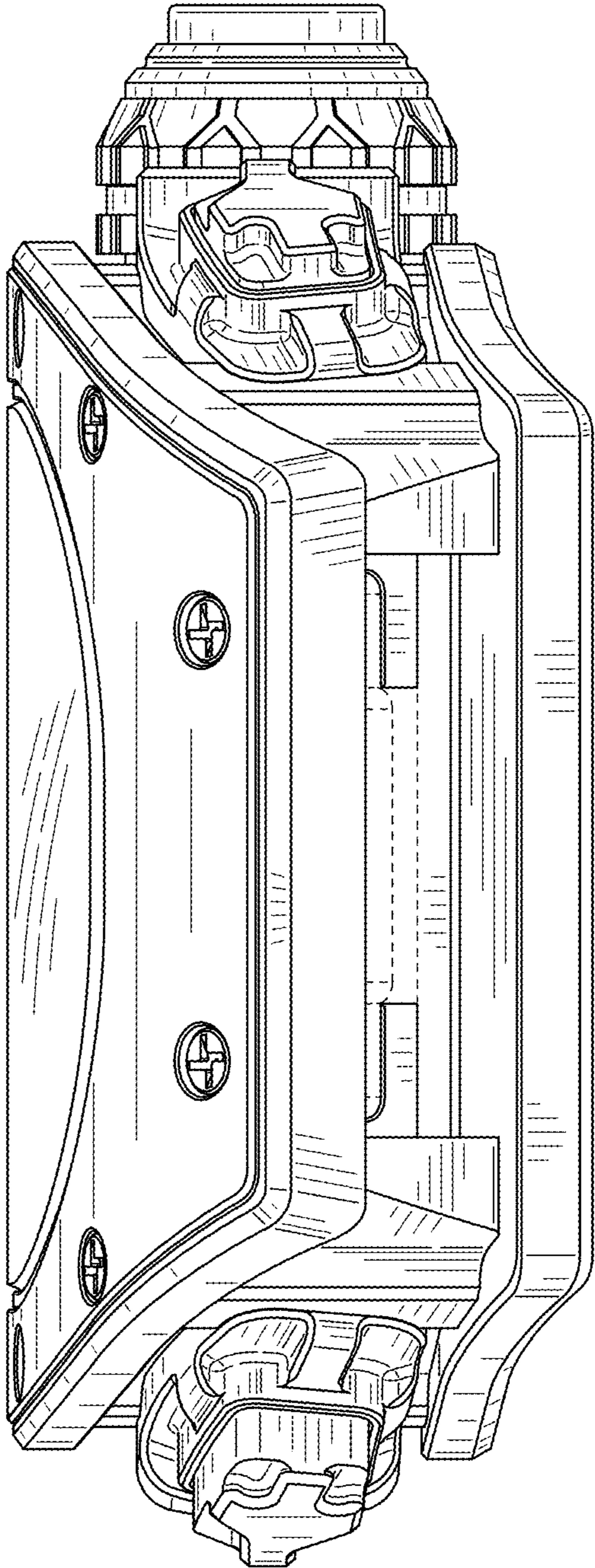


FIG. 9

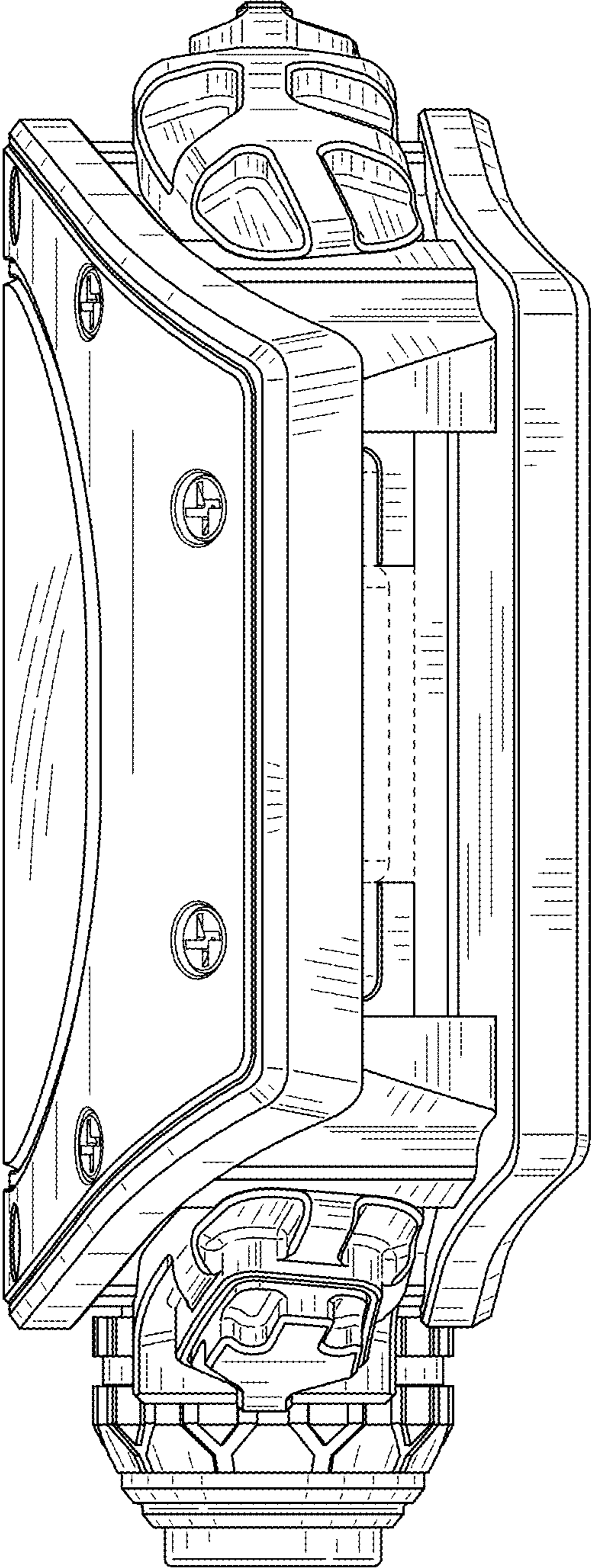


FIG. 10