



US00D924078S

(12) **United States Design Patent**
DeMaio

(10) **Patent No.:** **US D924,078 S**

(45) **Date of Patent:** **** Jul. 6, 2021**

(54) **WATCH WITH BEZEL**

(71) Applicant: **Robert Charles DeMaio**, Sparks, NV
(US)

(72) Inventor: **Robert Charles DeMaio**, Sparks, NV
(US)

(**) Term: **15 Years**

(21) Appl. No.: **29/710,783**

(22) Filed: **Oct. 25, 2019**

(51) **LOC (13) Cl.** **10-02**

(52) **U.S. Cl.**
USPC **D10/38**; D10/128; D14/344

(58) **Field of Classification Search**
USPC D10/30-39, 128-132; D14/344, 345,
D14/440, 434; D13/108
CPC A44C 5/0007; A44C 5/147; A44C 11/10;
A44C 11/12; G04B 37/005; G04B
37/0058; G04B 37/084; G04B 37/087;
G04B 37/1486
See application file for complete search history.

(56) **References Cited**

U.S. PATENT DOCUMENTS

D78,492 S *	5/1929	Stegman	D10/38
D78,494 S *	5/1929	Wadsworth	D10/38
D100,404 S *	7/1936	Worms	D10/39
D157,607 S *	3/1950	Lachman	D10/38
D161,485 S *	1/1951	Megar	D10/39
2,716,328 A *	8/1955	Dinstman	G04B 37/083 368/292
D238,559 S *	1/1976	Nozdrea	D10/34

(Continued)

OTHER PUBLICATIONS

How to Fix Samsung Galaxy Watch Bezel Ring | youtube.com;
posted May 2019 online]. [retrieved Apr. 13, 2021] from Internet:
<<https://www.youtube.com/watch?v=ud9DksvJq3M>> (Year: 2019).*

(Continued)

Primary Examiner — Katherine Glennon

(74) *Attorney, Agent, or Firm* — Tatonetti IP

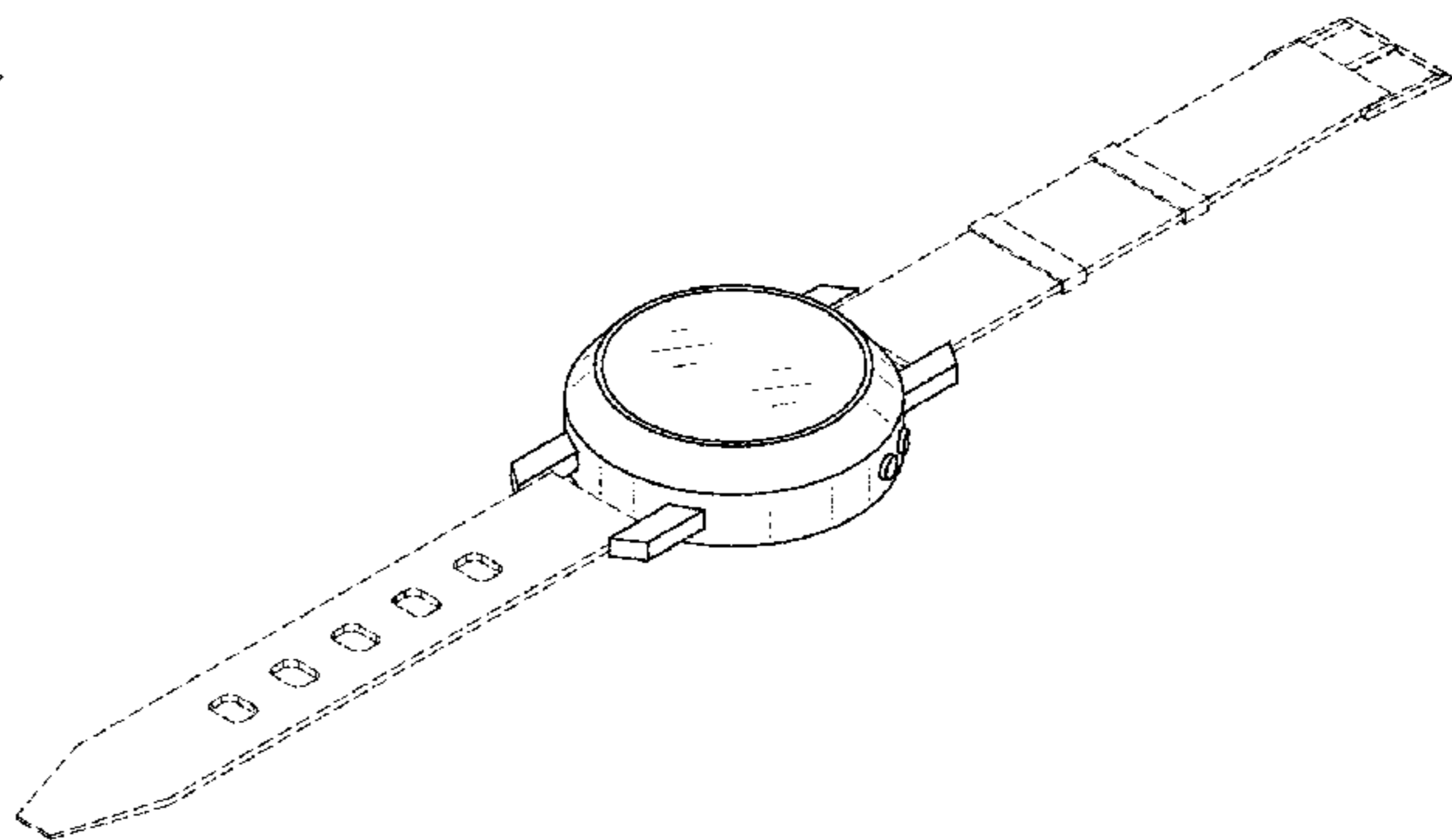
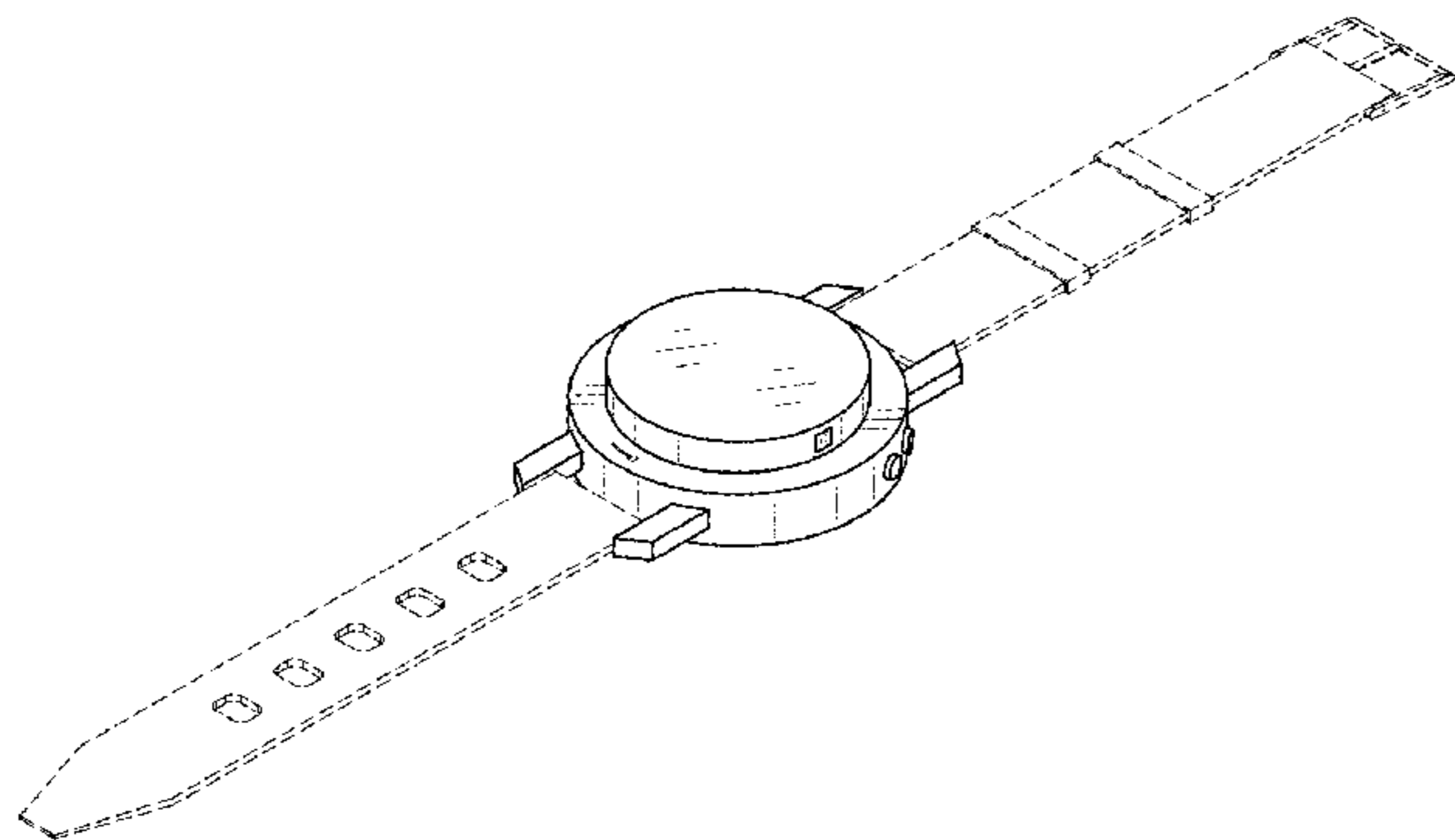
(57) **CLAIM**

I claim the ornamental design for a watch with bezel, as shown and described.

DESCRIPTION

FIG. 1 is a perspective view of a watch with bezel, showing only the watch without the bezel of my new design;
FIG. 2 is a right side view thereof;
FIG. 3 is left side view thereof;
FIG. 4 is a front side view thereof;
FIG. 5 is a rear side view thereof;
FIG. 6 is a top side plan view thereof;
FIG. 7 is a bottom side plan view thereof;
FIG. 8 is a perspective view of the watch with bezel, showing only the bezel of my new design;
FIG. 9 is a right side view thereof;
FIG. 10 is a left side view thereof;
FIG. 11 is a front side view thereof;
FIG. 12 is a rear side view thereof;
FIG. 13 is a top side plan view thereof;
FIG. 14 is a bottom side plan view thereof;
FIG. 15 is a perspective view of the watch with bezel, showing my new design;
FIG. 16 is a right side view thereof;
FIG. 17 is a left side view thereof;
FIG. 18 is a front side view thereof;
FIG. 19 is a rear side view thereof;
FIG. 20 is a top side plan view thereof; and,
FIG. 21 is a bottom side plan view thereof.
Broken lines depict portions of the watch with bezel that form no part of the claimed design.
The word “Phinge” forms no part of the claimed design and is a registered trademark of Phinge Corporation.

1 Claim, 21 Drawing Sheets



(56)

References Cited

U.S. PATENT DOCUMENTS

D240,605 S * 7/1976 Sticker D10/38
 D248,223 S * 6/1978 Sulek D10/38
 D249,874 S * 10/1978 Lawrence D10/38
 D336,616 S * 6/1993 Gueit D10/128
 5,392,261 A * 2/1995 Hsu G04B 37/1413
 368/281
 D361,525 S * 8/1995 Yudovin D10/33
 D399,759 S * 10/1998 Kennedy D10/30
 D408,746 S * 4/1999 Jorss D10/33
 D439,172 S * 3/2001 Brzezinski D10/30
 D459,352 S * 6/2002 Giovannello D14/344
 D462,631 S * 9/2002 Galvani D10/128
 D470,778 S * 2/2003 Berke D10/32
 D494,874 S * 8/2004 Jorgensen D10/32
 6,809,774 B1 * 10/2004 Yamazaki H04N 5/232939
 348/373
 D508,859 S * 8/2005 Ho D10/30
 D542,157 S * 5/2007 Lafever D10/32
 D560,513 S * 1/2008 Glassman D10/39
 D589,373 S * 3/2009 Chen D10/32
 D713,269 S * 9/2014 Rapko D10/30
 D720,289 S * 12/2014 Chiang D13/108
 D720,635 S * 1/2015 Park D10/98
 D726,672 S * 4/2015 Olodort D14/138 G
 D748,995 S * 2/2016 Babcock D10/30
 D750,068 S * 2/2016 Aumiller D14/344
 D751,066 S * 3/2016 Magi D14/344
 D759,623 S * 6/2016 Dahlberg D14/138 R
 D763,107 S * 8/2016 Nielsen D10/70
 D772,729 S * 11/2016 Perret D10/38
 9,612,578 B2 * 4/2017 Huang G04G 17/045
 D794,633 S * 8/2017 Ha D14/344
 D795,709 S * 8/2017 Roberts D10/32
 9,848,828 B2 * 12/2017 Wisbey A61B 5/4812
 D807,766 S * 1/2018 Thomas D10/70

D817,298 S * 5/2018 Adachi D14/158
 D847,003 S * 4/2019 Yoshida D10/38
 D861,168 S * 9/2019 Paschke D24/167
 D868,061 S * 11/2019 Yoon D14/344
 D868,062 S * 11/2019 Haranaka D14/344
 D900,091 S * 10/2020 Gocke D14/344
 2002/0110050 A1 * 8/2002 Fernandez G04B 47/042
 368/281
 2006/0162132 A1 * 7/2006 Roy A44C 5/147
 24/71 J
 2008/0049560 A1 * 2/2008 Clarkson G04G 17/08
 368/281
 2008/0181061 A1 * 7/2008 Girardin G04B 37/0058
 368/295
 2009/0059730 A1 * 3/2009 Lyons G04G 21/04
 368/69
 2017/0048994 A1 * 2/2017 Lee G04G 17/08
 2018/0368539 A1 * 12/2018 Blanc A44C 17/0208

OTHER PUBLICATIONS

Bezier curve tool icon illustration design stock vector 40500026 | shutterstock.com (first found by tineye.com Apr. 2017) [online]. © 2003-2021 Shutterstock, Inc. [retrieved Apr. 13, 2021] from Internet: <<https://www.shutterstock.com/image-vector/bezier-curve-tool-icon-illustration-design-405000262>> (Year: 2017).*

The Parts and Pices that Make the Gear S3 Tick | news.samsung.com; posted Nov. 2016 [online]. © 2010-2021 SAMSUNG [retrieved Apr. 13, 2021] from Internet: <<https://news.samsung.com/global/in-depth-look-the-parts-and-pieces-that-make-the-gear-s3-tick>> (Year: 2016).*

Phinge Watch | phingewatch.com; no posting date [online]. © 2021 Phinge Corporation [retrieved Apr. 13, 2021] from Internet: <<https://www.phingewatch.com/>> (Year: 2021).*

* cited by examiner

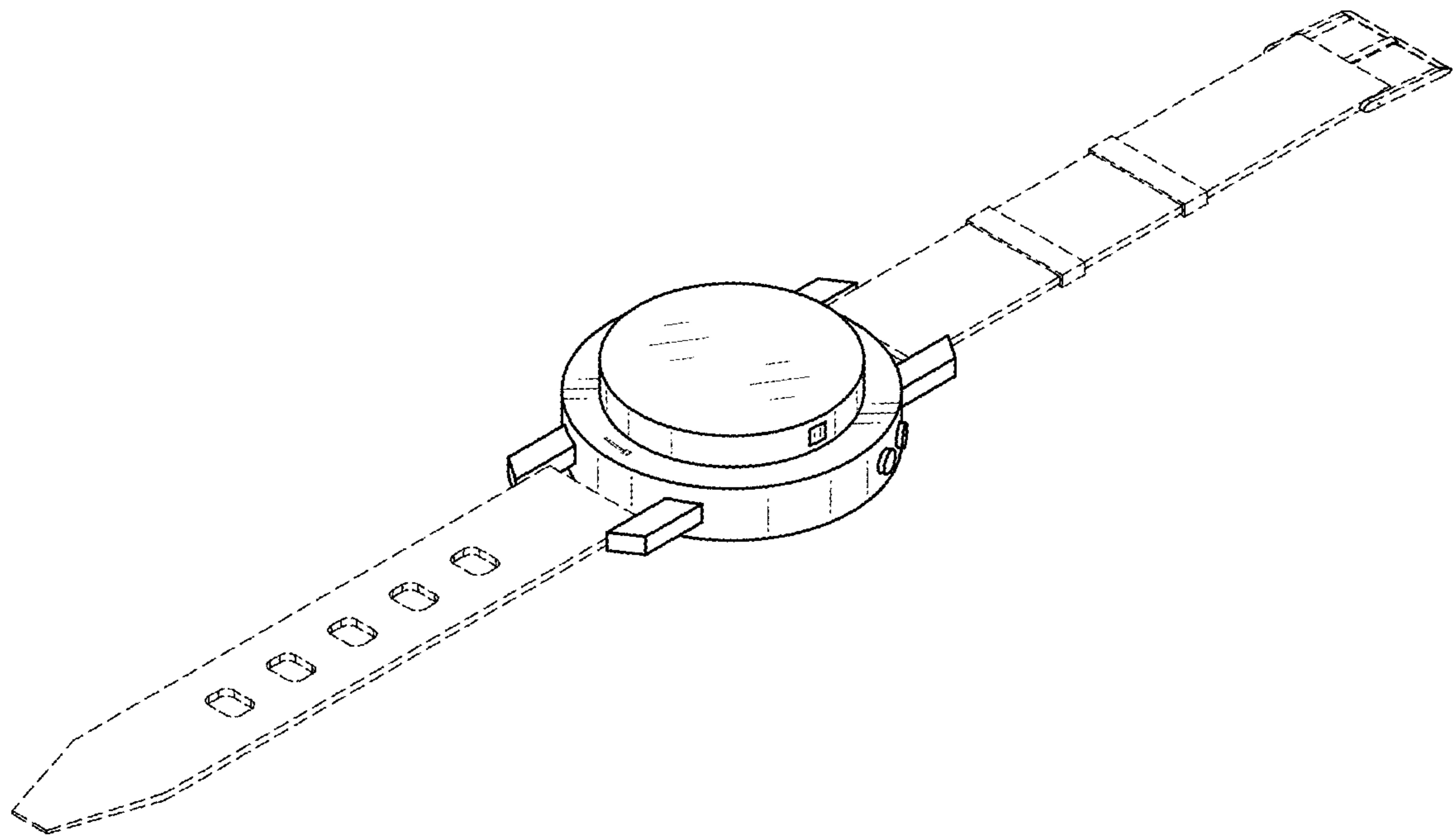


FIG. 1

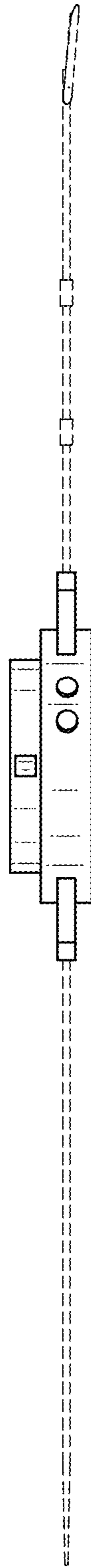


FIG. 2

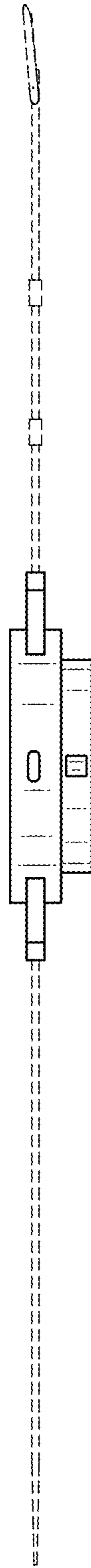


FIG. 3



FIG. 4

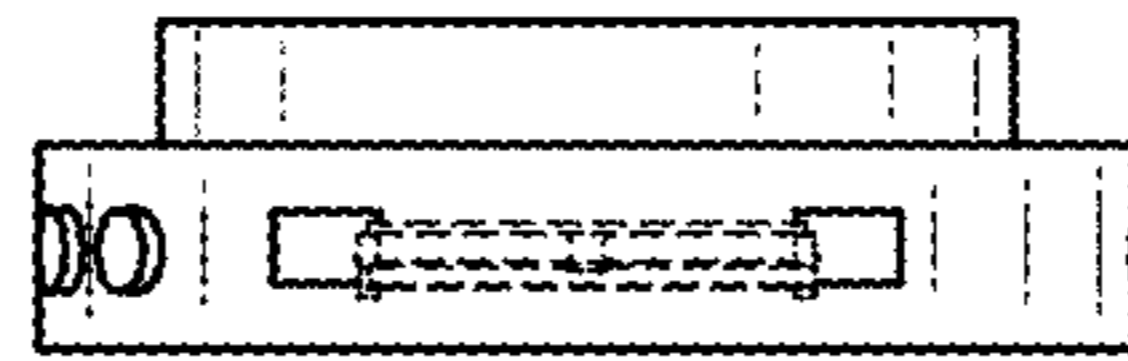


FIG. 5

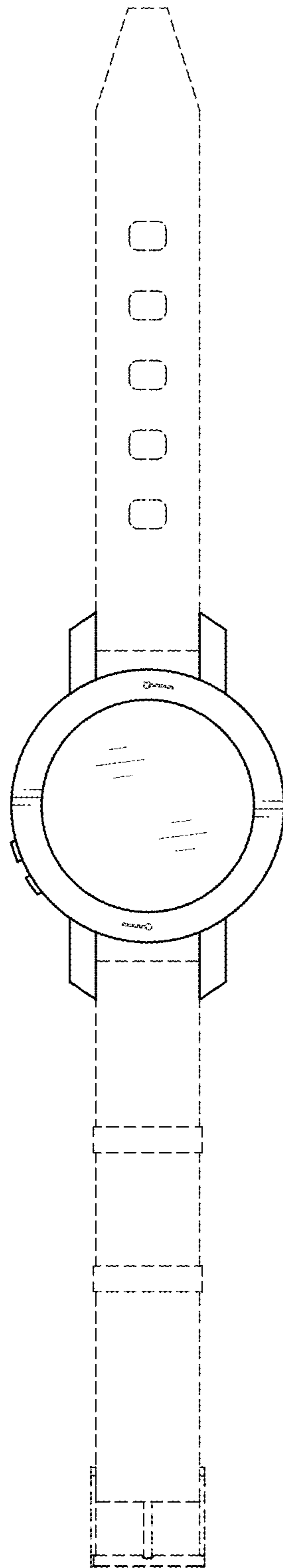


FIG. 6

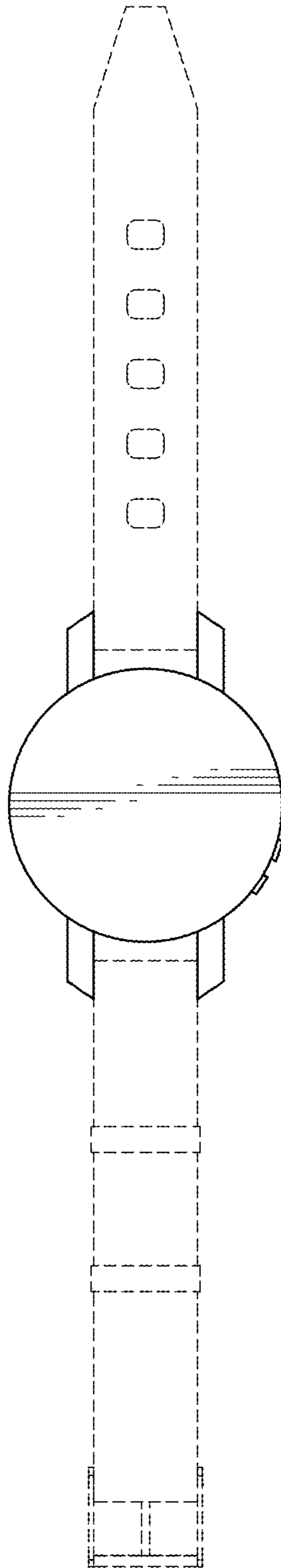


FIG. 7

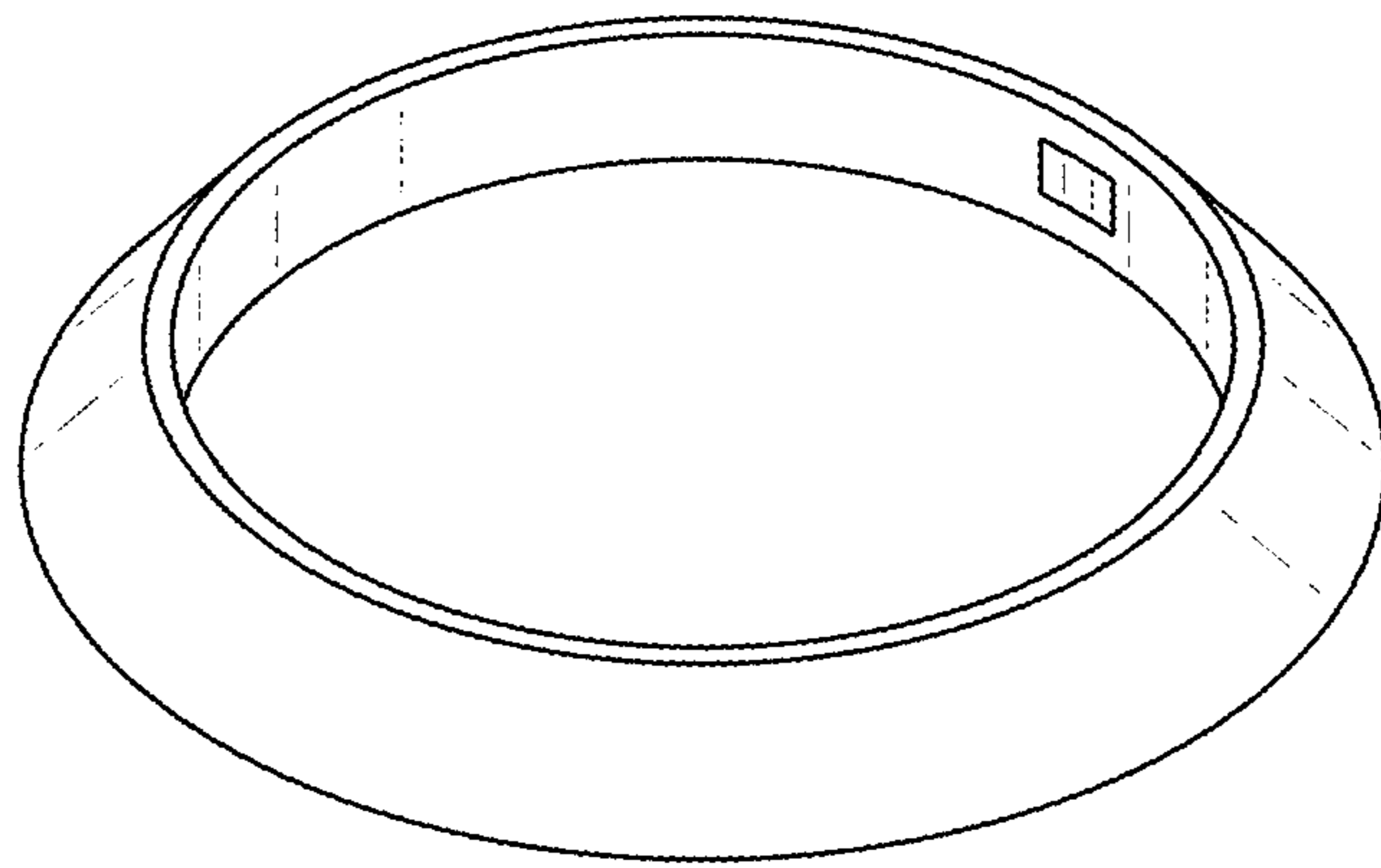


FIG. 8



FIG. 9



FIG. 10

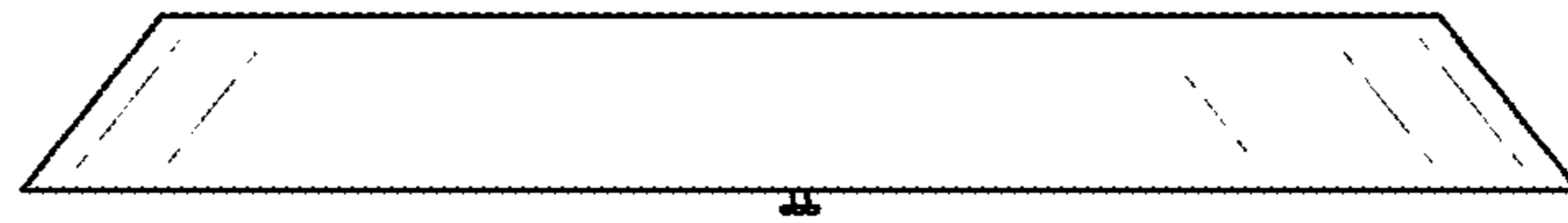


FIG. 11

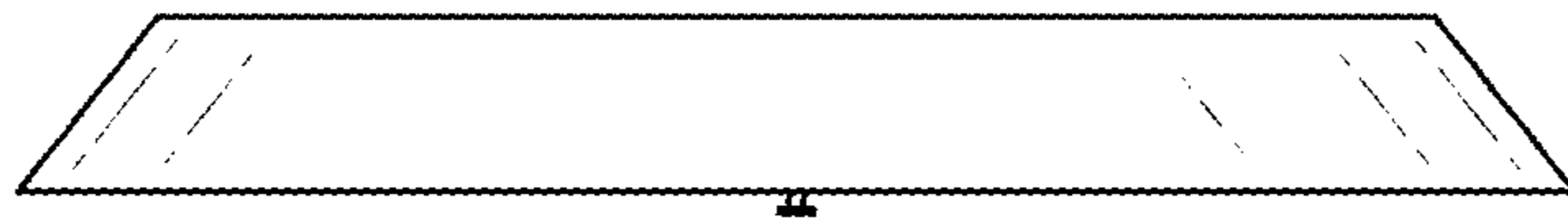


FIG. 12

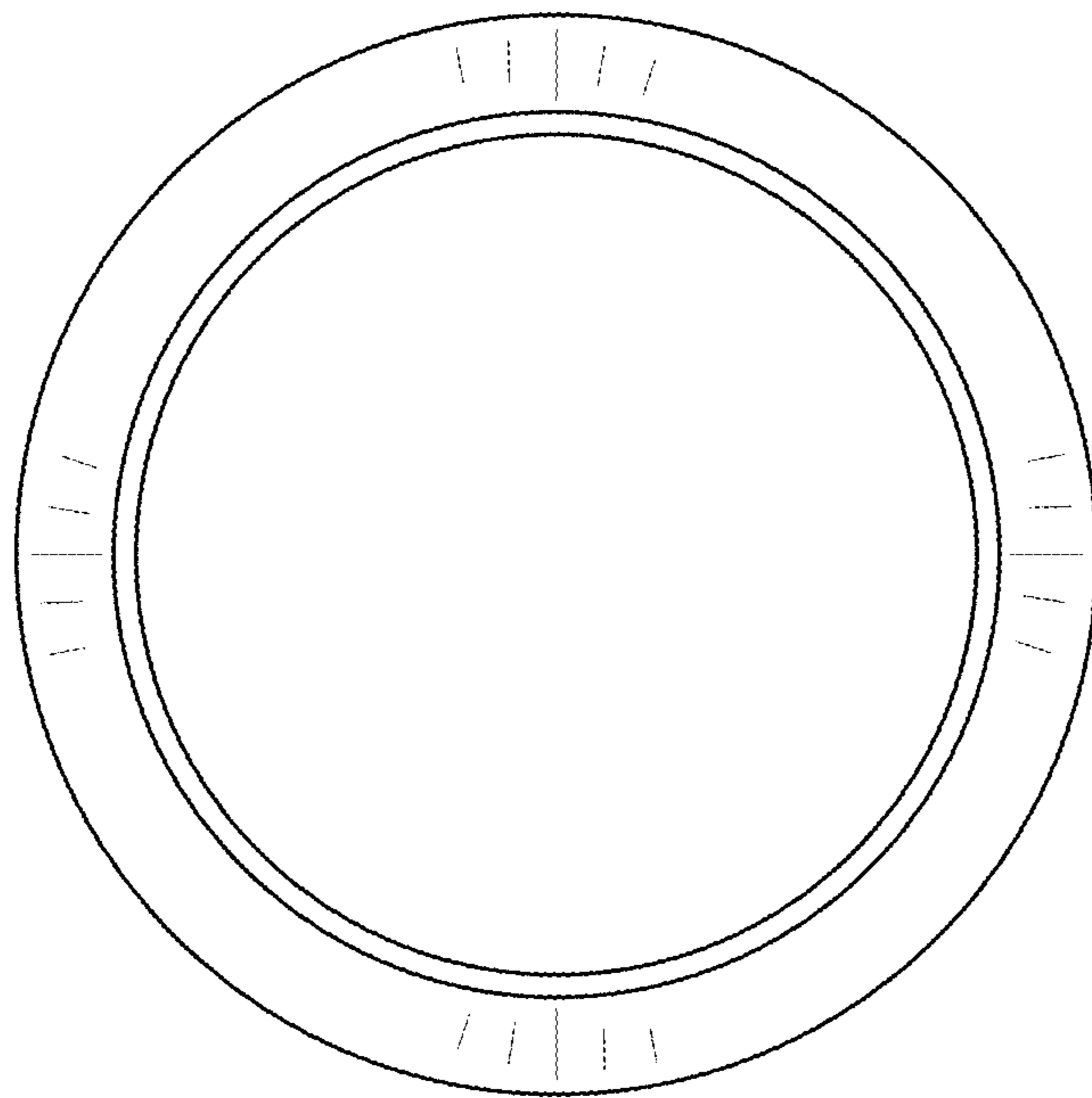


FIG. 13

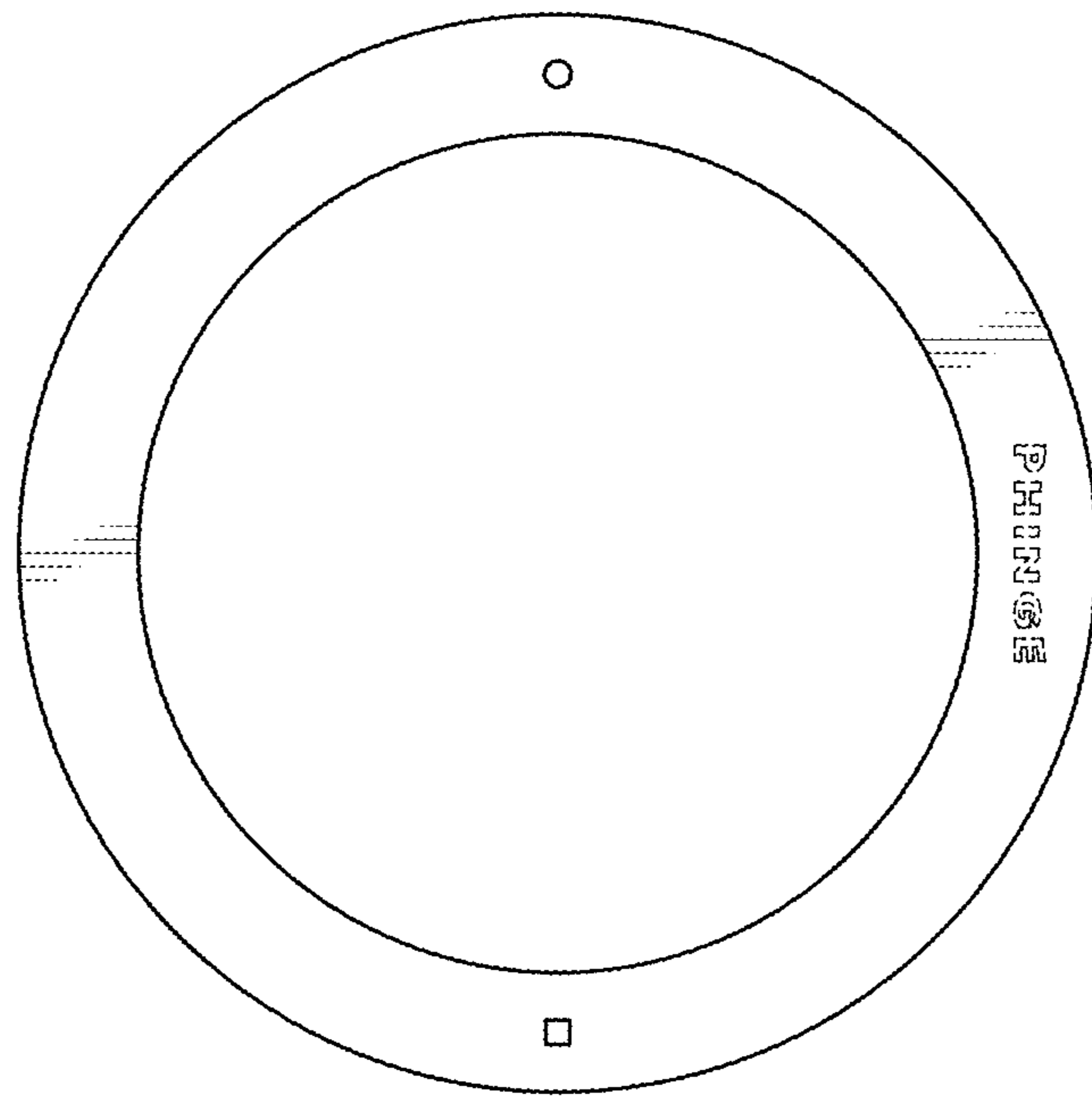


FIG. 14

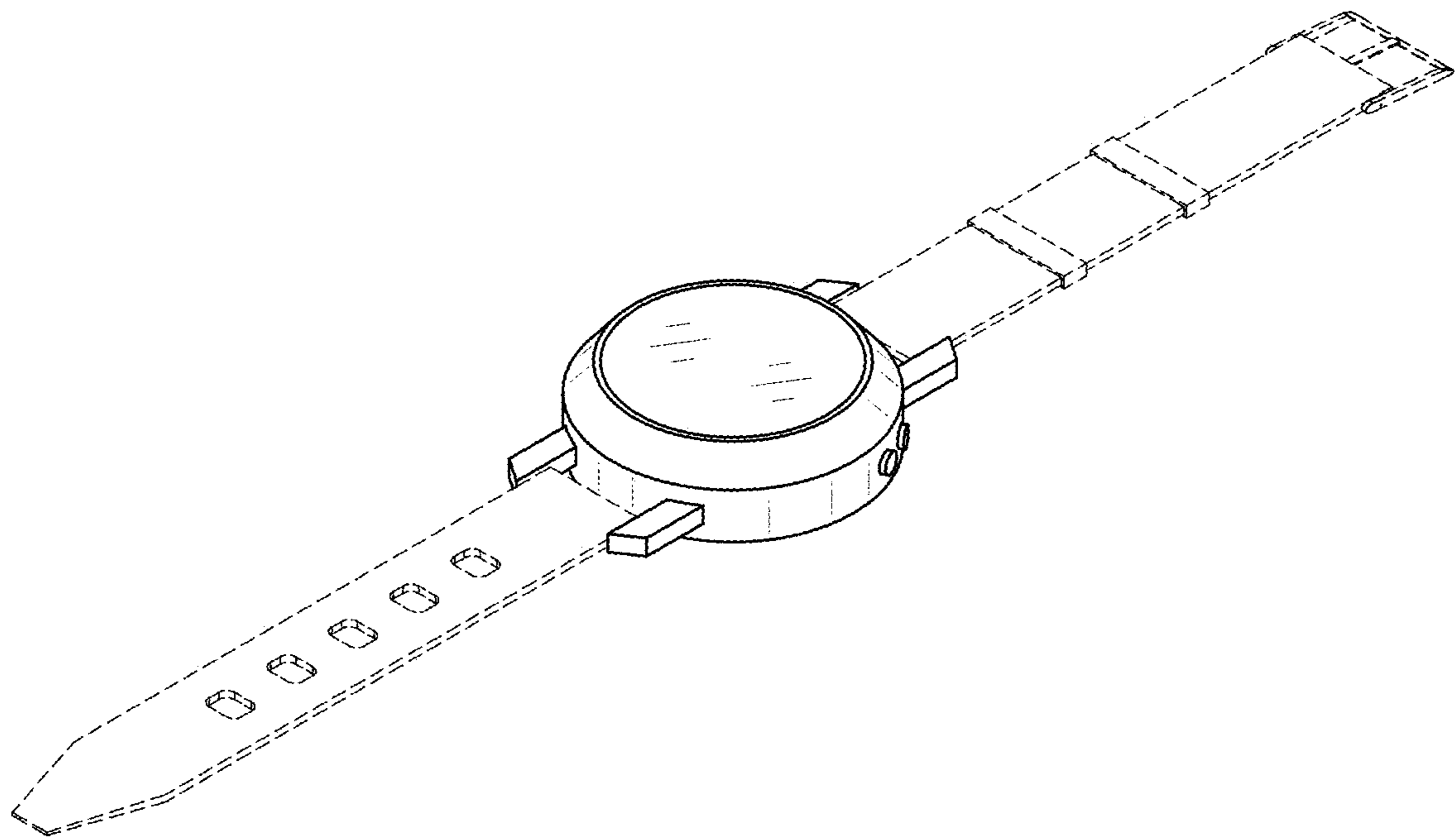


FIG. 15

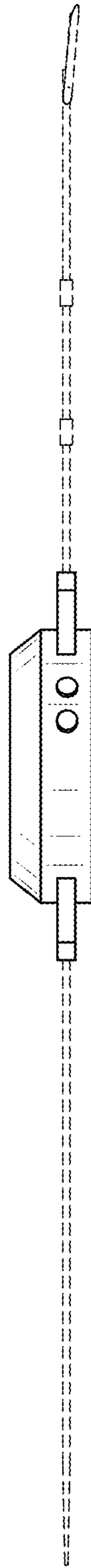


FIG. 16

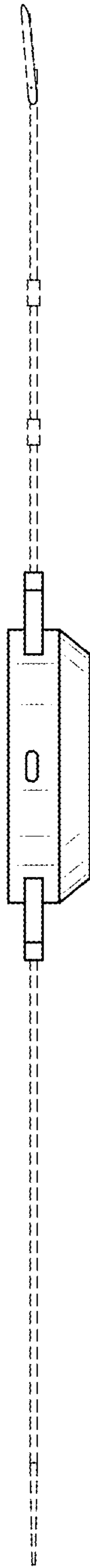


FIG. 17

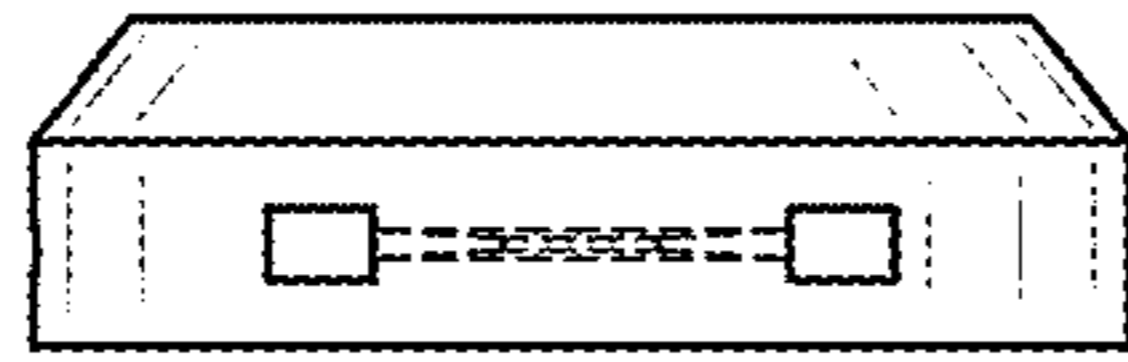


FIG. 18

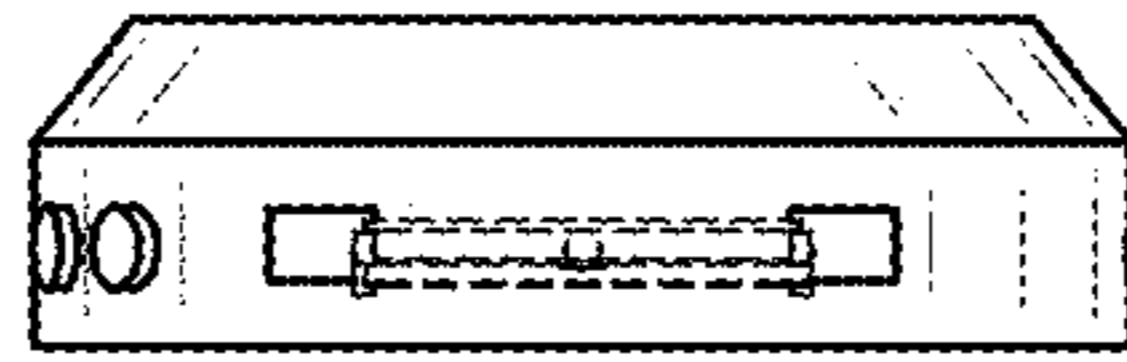


FIG. 19

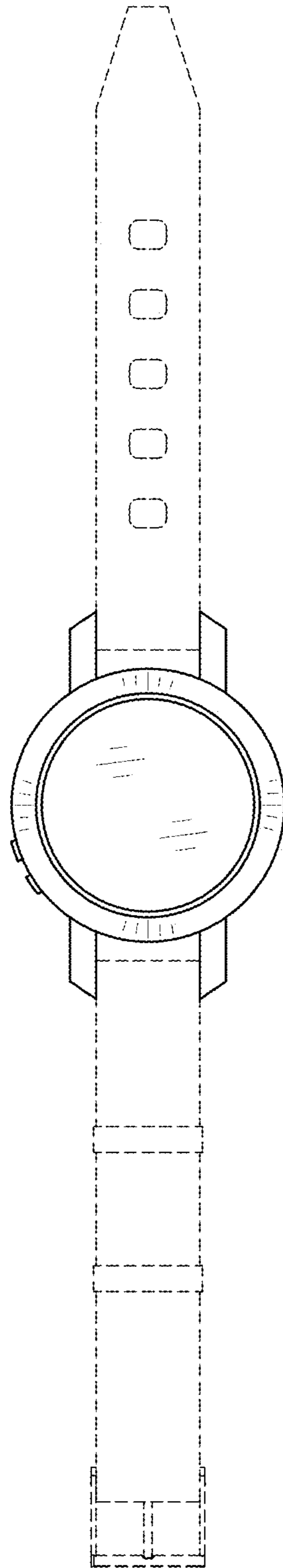


FIG. 20

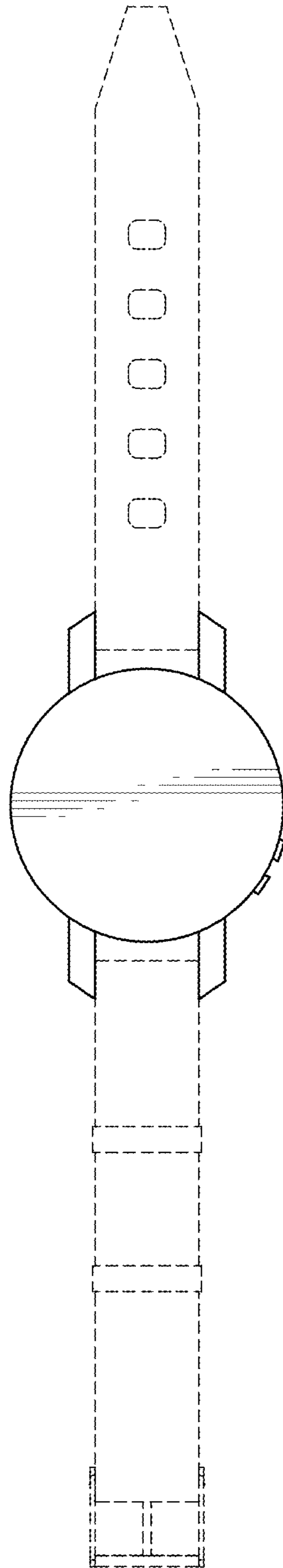


FIG. 21