



US00D924077S

(12) **United States Design Patent**
Suzuki et al.

(10) **Patent No.:** **US D924,077 S**

(45) **Date of Patent:** **** Jul. 6, 2021**

(54) **WATCH CASE**

5/02; A44C 5/027; A44C 5/04; A44C
5/08; A44C 5/10; A44C 5/102; A44C
5/105; A44C 5/107

(71) Applicant: **CASIO KEISANKI KABUSHIKI
KAISHA, Tokyo (JP)**

See application file for complete search history.

(72) Inventors: **Takafumi Suzuki, Saitama (JP);
Takayasu Akagi, Tokyo (JP); Hideki
Watanabe, Kanagawa (JP); Rei
Morisawa, Tokyo (JP)**

(56) **References Cited**

U.S. PATENT DOCUMENTS

D497,109	S	*	10/2004	Itsubo	D10/30
D652,326	S	*	1/2012	Kummer	D10/38
D664,450	S	*	7/2012	Syoubayashi	D10/39
8,851,743	B1	*	10/2014	Lalo	G04B 3/043 368/315
D740,138	S	*	10/2015	Goto	D10/39
D742,252	S	*	11/2015	Akagi	D10/30
D742,762	S	*	11/2015	Syoubayashi	D10/30
D776,550	S	*	1/2017	Nakai	D10/39
D781,159	S	*	3/2017	Goto	D10/38
D817,192	S	*	5/2018	Syoubayashi	D10/39
D829,111	S	*	9/2018	Akagi	D10/39
D848,287	S	*	5/2019	Nakai	D10/38
D874,948	S	*	2/2020	Syoubayashi	D10/39
D897,866	S	*	10/2020	Yamamoto	D10/30

(73) Assignee: **CASIO KEISANKI KABUSHIKI
KAISHA, Tokyo (JP)**

(**) Term: **15 Years**

(21) Appl. No.: **29/719,640**

(22) Filed: **Jan. 6, 2020**

(30) **Foreign Application Priority Data**

Jul. 8, 2019 (CN) 201930359242.3

(51) **LOC (13) Cl.** **10-02**

(52) **U.S. Cl.**
USPC **D10/30**

(58) **Field of Classification Search**
USPC D10/30-39, 65, 70, 97-98, 121-132;
D14/344; D11/3, 5, 12; D24/167, 186
CPC G04B 19/00; G04B 19/125; G04B 19/04;
G04B 19/048; G04B 19/065; G04B
19/08; G04B 19/10; G04B 19/103; G04B
19/106; G04B 19/12; G04B 19/18; G04B
19/22; G04B 19/223; G04B 19/24; G04B
19/243; G04B 19/28; G04B 19/283;
G04B 37/00; G04B 37/0008; G04B
37/0058; G04B 45/00; G04B 45/0069;
G04B 45/0076; G04B 47/06; G04B
47/063; G04G 19/06; A44C 5/00; A44C

* cited by examiner

Primary Examiner — Katherine Glennon

(74) *Attorney, Agent, or Firm* — Holtz, Holtz & Volek PC

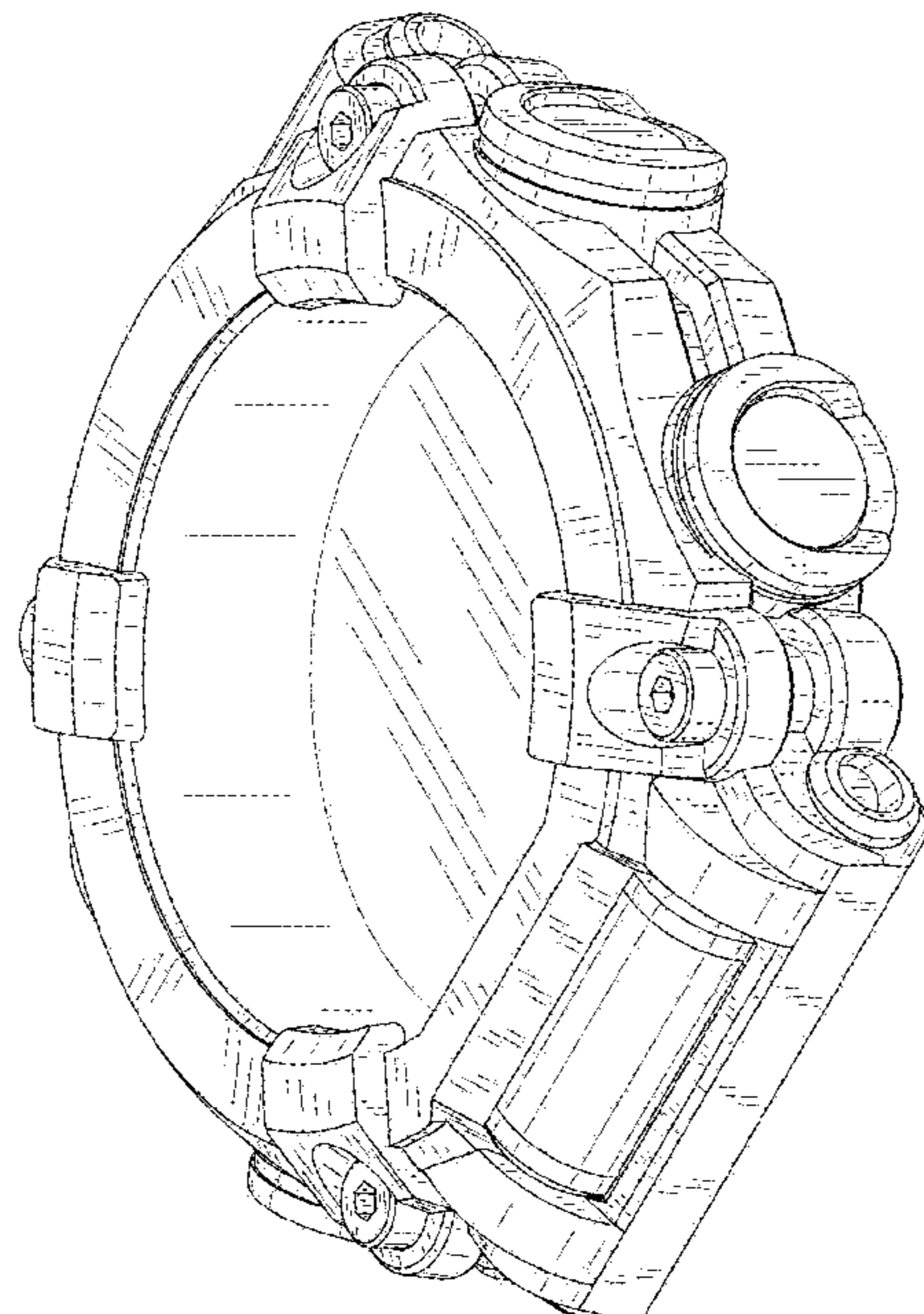
(57) **CLAIM**

The ornamental design for a watch case, as shown.

DESCRIPTION

FIG. 1 is a front, right side, bottom perspective view of a watch case showing our new design; FIG. 2 is a front elevational view thereof; FIG. 3 is a rear elevational view thereof; FIG. 4 is a left side view thereof; FIG. 5 is a right side view thereof; FIG. 6 is a top plan view thereof; and, FIG. 7 is a bottom plan view thereof.

1 Claim, 6 Drawing Sheets



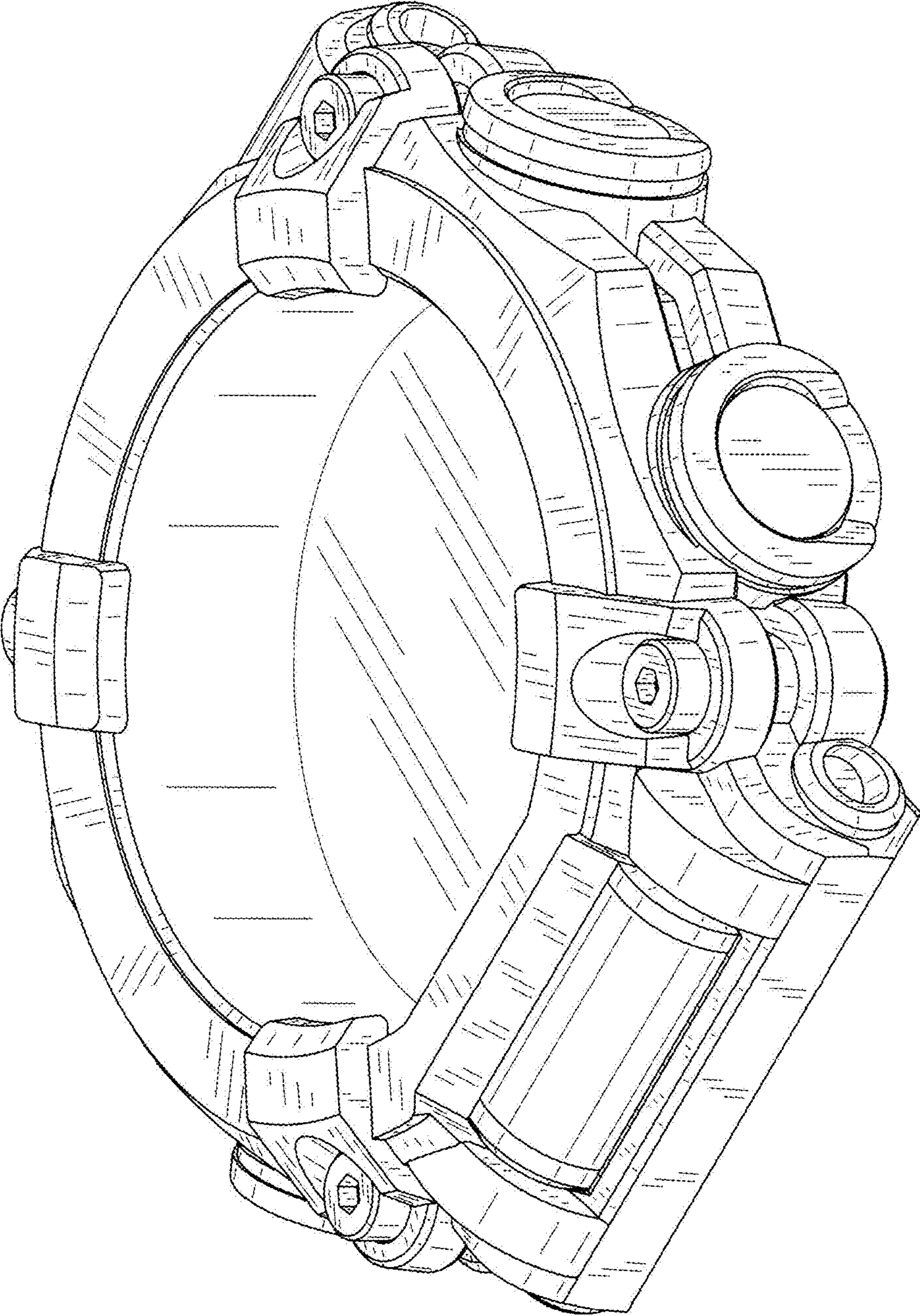


FIG. 1

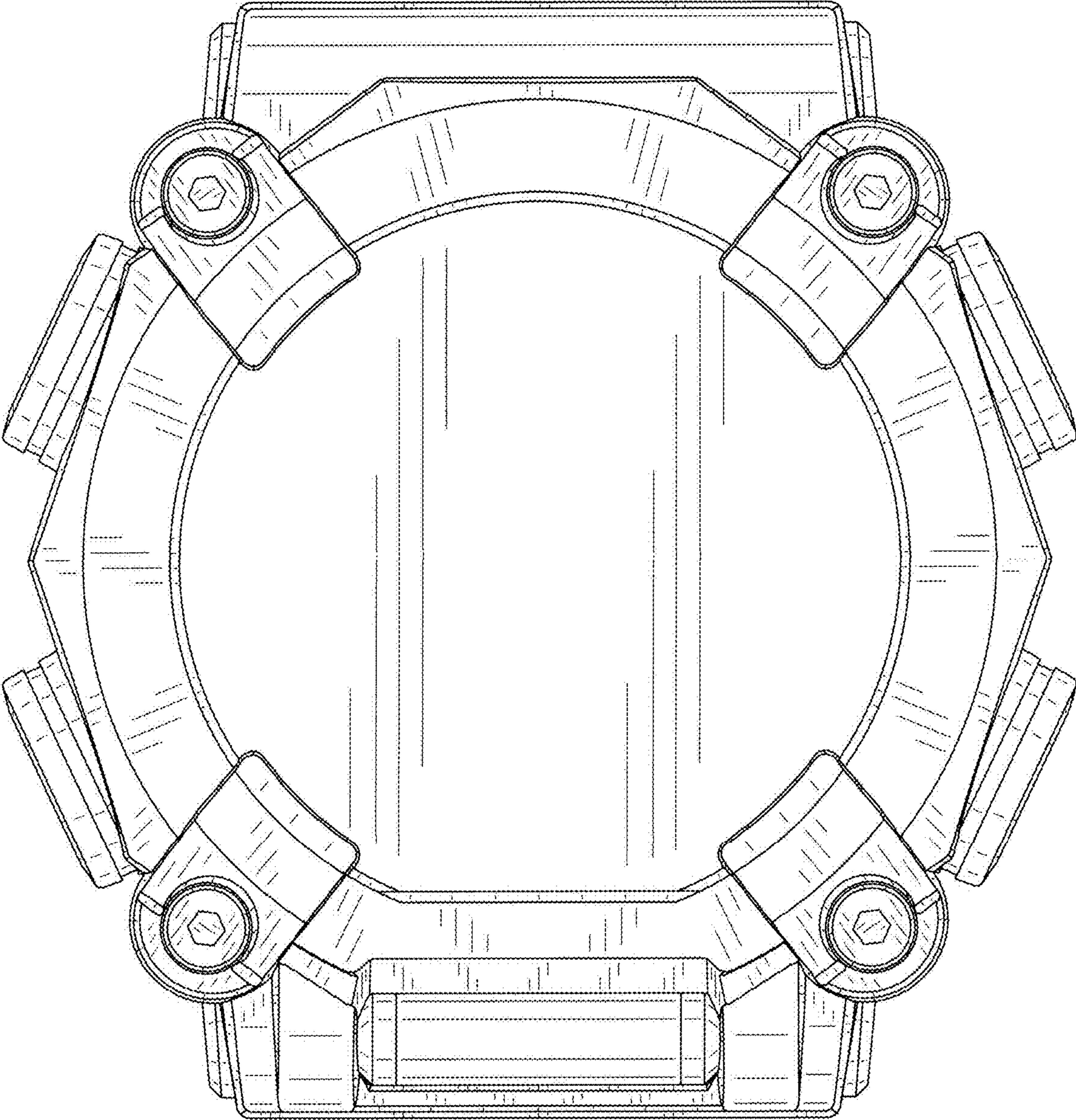


FIG. 2

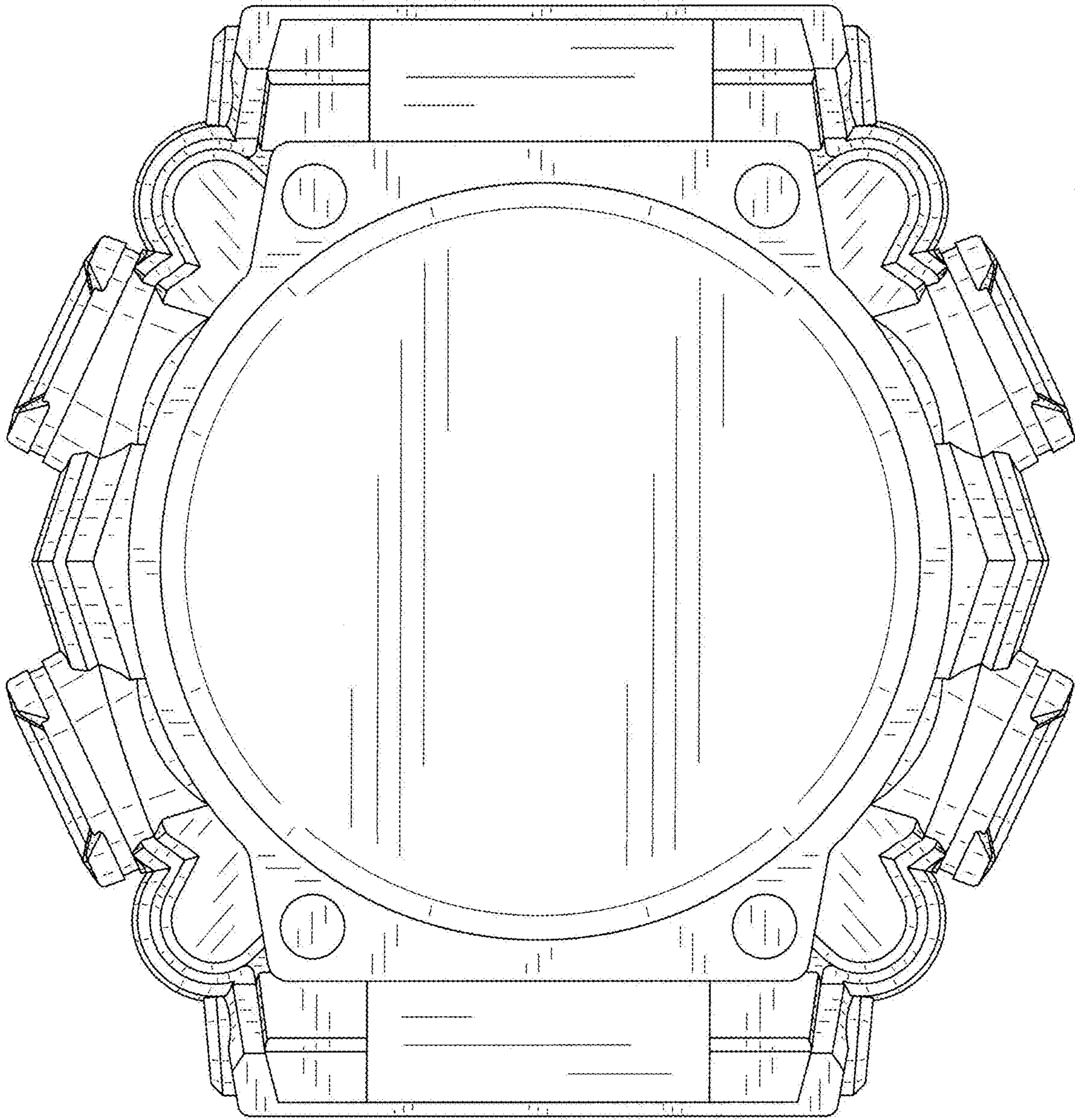


FIG. 3

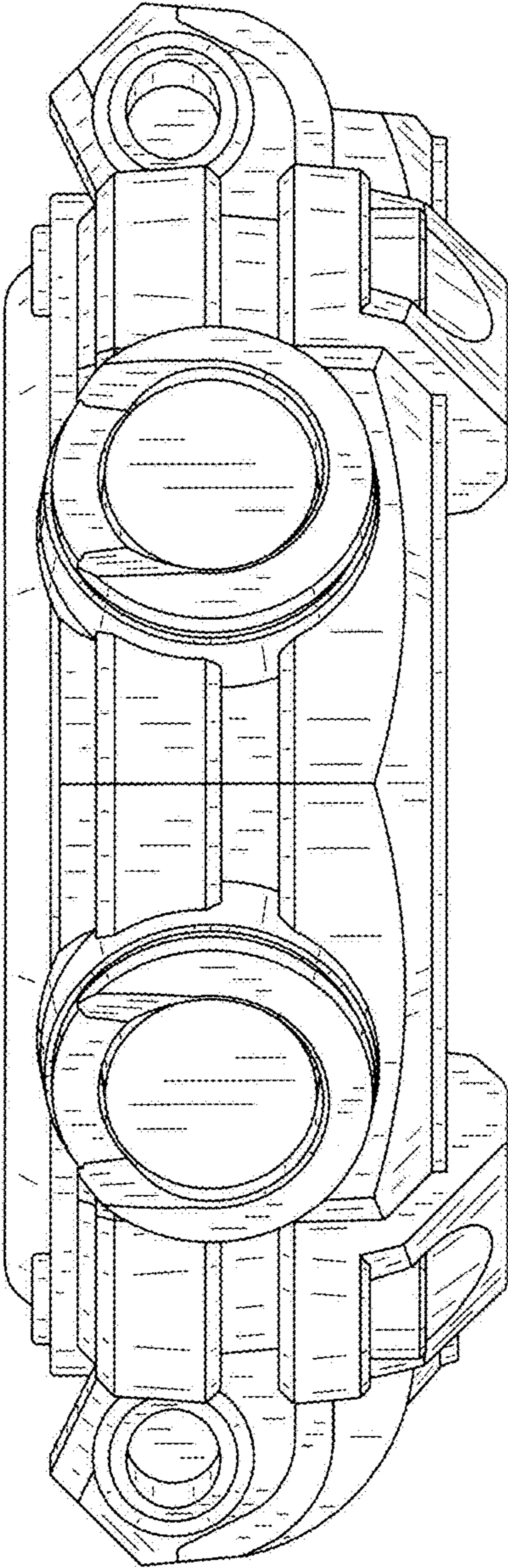


FIG. 4

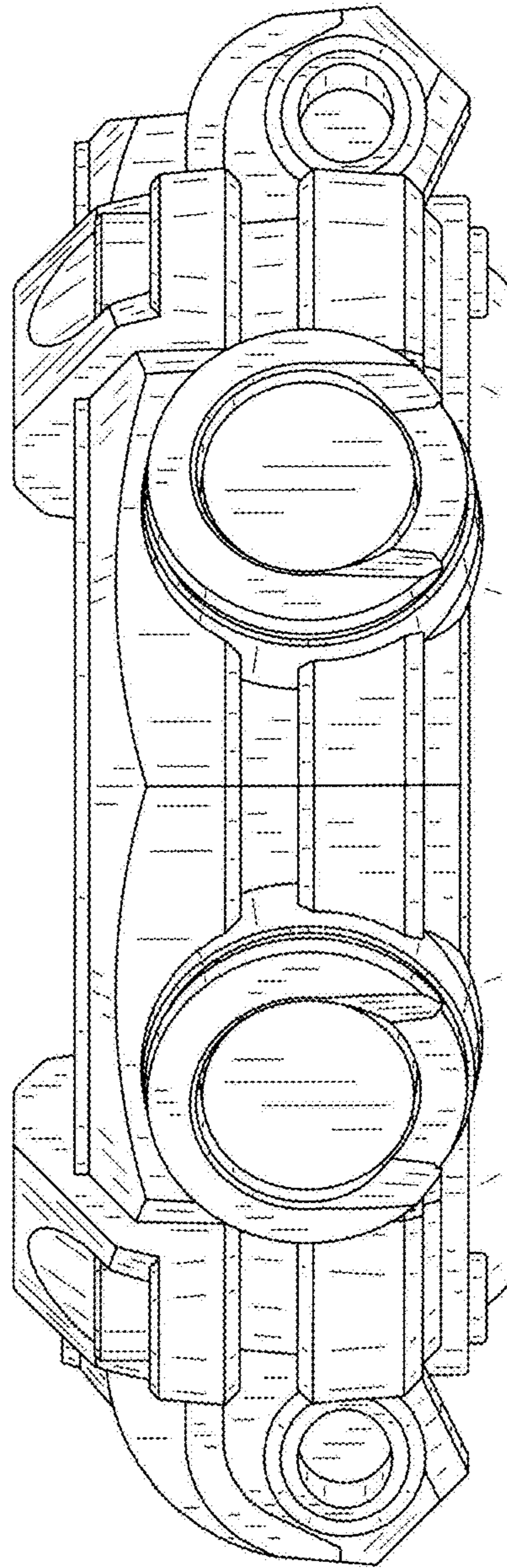


FIG. 5

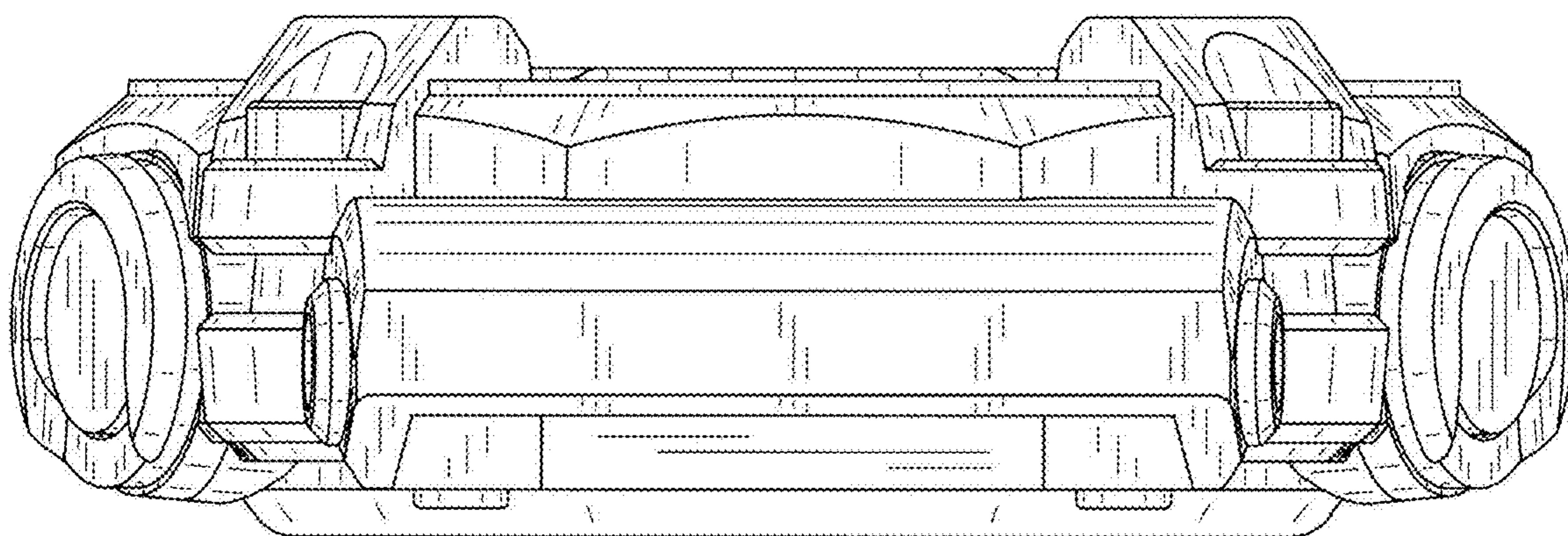


FIG. 6

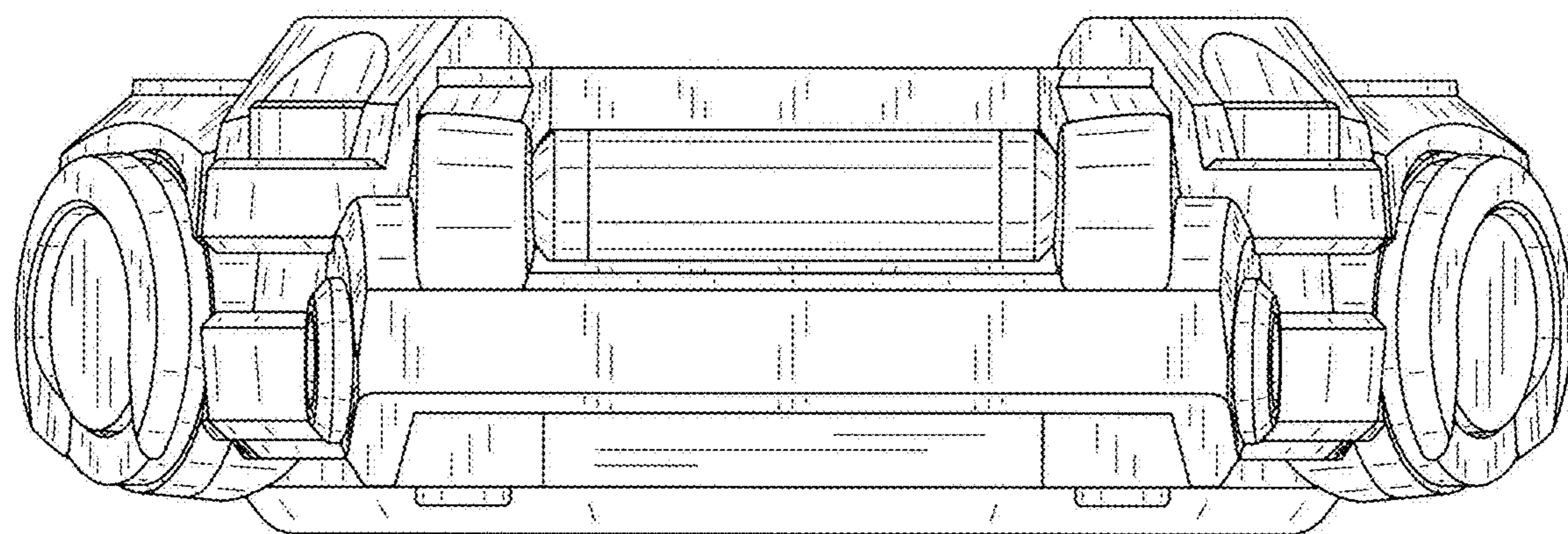


FIG. 7