



US00D924066S

(12) **United States Design Patent** (10) **Patent No.:** **US D924,066 S**
Elias et al. (45) **Date of Patent:** **** Jul. 6, 2021**

(54) **BOTTLE**
(71) Applicant: **Natura Cosméticos S.A.**, São Paulo (BR)
(72) Inventors: **Élen Cristina Luna Elias**, Cajamar (BR); **Tabata Munhoz Rodelli**, Cajamar (BR); **Denis Carlos do Nascimento**, Cajamar (BR)
(73) Assignee: **NATURA COSMÉTICOS S.A.**, Sao Paolo (BR)

D680,872 S * 4/2013 Uribe D9/565
D715,152 S * 10/2014 Maskell D9/566
D781,713 S * 3/2017 Papernik D9/566
D788,593 S * 6/2017 Dalton D9/560
D808,280 S * 1/2018 Nagata D9/560
D856,810 S * 8/2019 James D9/566
D856,811 S * 8/2019 James D9/566
D856,812 S * 8/2019 James D9/566
D863,971 S * 10/2019 Monteparo D9/560

(**) Term: **15 Years**
(21) Appl. No.: **29/770,335**
(22) Filed: **Feb. 11, 2021**

FOREIGN PATENT DOCUMENTS

CN 303868556 * 9/2016

OTHER PUBLICATIONS

Natura, May 27, 2020, Natura Facebook Post: Novo Essencial, URL: <https://www.facebook.com/naturabrofficial/photos/a.10150160433790422/10164030117900422/?type=3&theater> (Year: 2020).*

Related U.S. Application Data

(62) Division of application No. 29/699,607, filed on Jul. 26, 2019.
(51) **LOC (13) Cl.** **09-01**
(52) **U.S. Cl.**
USPC **D9/567**; D9/566
(58) **Field of Classification Search**
USPC D9/432, 529, 560, 563, 566, 567, D9/573-575, 694
CPC B65D 21/0231; B65D 2501/0081; A45D 34/00
See application file for complete search history.

* cited by examiner

Primary Examiner — Brett Miller
Assistant Examiner — Rani J Abdallah
(74) *Attorney, Agent, or Firm* — Alston & Bird LLP

(56) **References Cited**

U.S. PATENT DOCUMENTS

D86,566 S * 3/1932 Gibson D9/566
D143,657 S * 1/1946 Graham D9/573
D331,703 S * 12/1992 Seguin D9/575
D333,269 S * 2/1993 Albright D9/566
D418,421 S * 1/2000 Mansau D9/560
D509,144 S * 9/2005 Snyder D9/575
D654,365 S * 2/2012 Im D9/575
D678,073 S * 3/2013 Oge-Nichols D9/573
D680,004 S * 4/2013 Lecetre D9/573

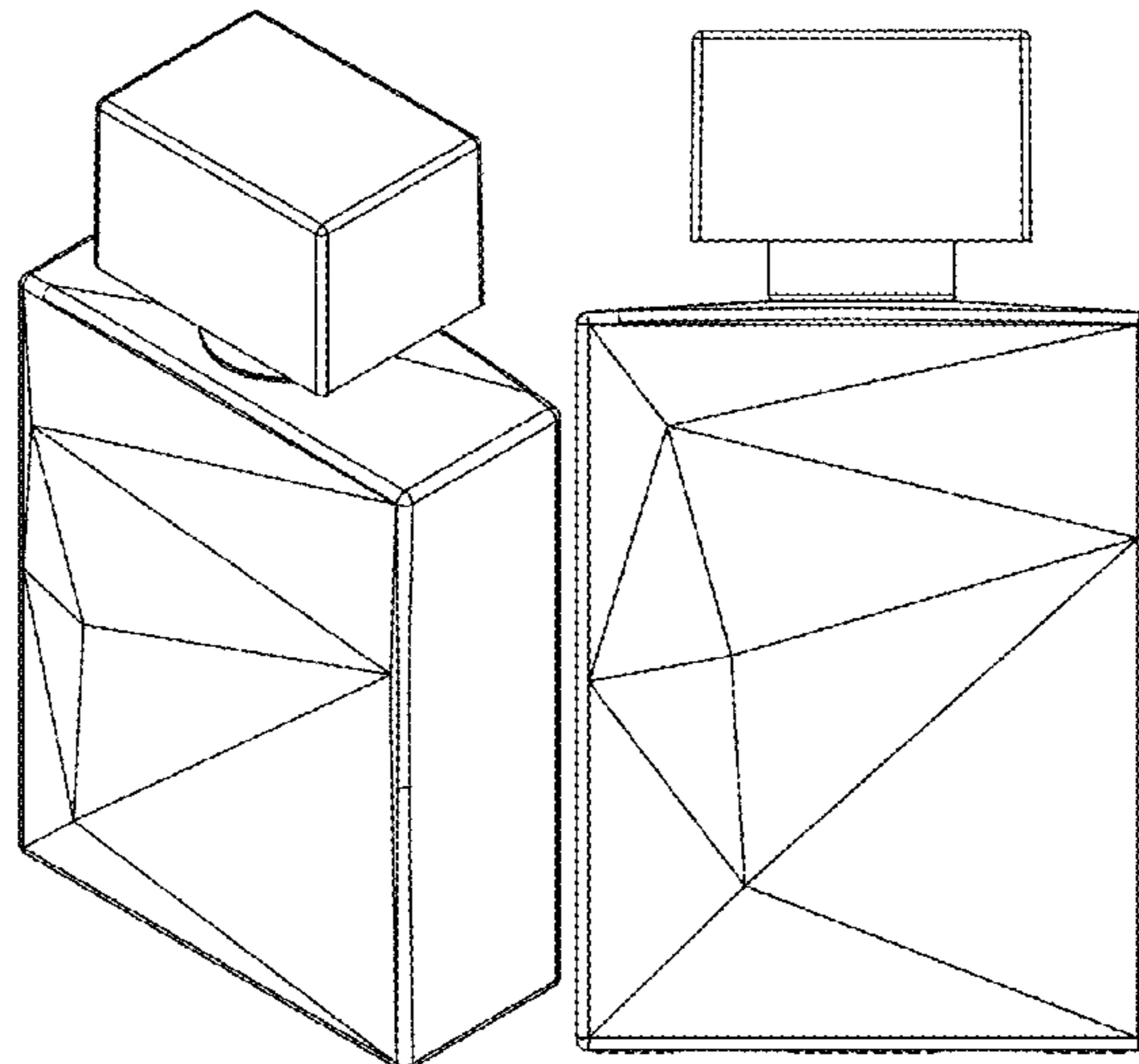
(57) **CLAIM**

We claim the ornamental design for a bottle, as shown and described.

DESCRIPTION

FIG. 1 is a perspective view of a bottle showing the new design;
FIG. 2 is a front elevation view thereof;
FIG. 3 is a rear elevation view thereof;
FIG. 4 is a left side elevation view thereof;
FIG. 5 is a right side elevation view thereof;
FIG. 6 is a top plan view thereof; and,
FIG. 7 is a bottom plan view thereof.
The broken lines depict features of the bottle that form no part of the claimed design.

1 Claim, 6 Drawing Sheets



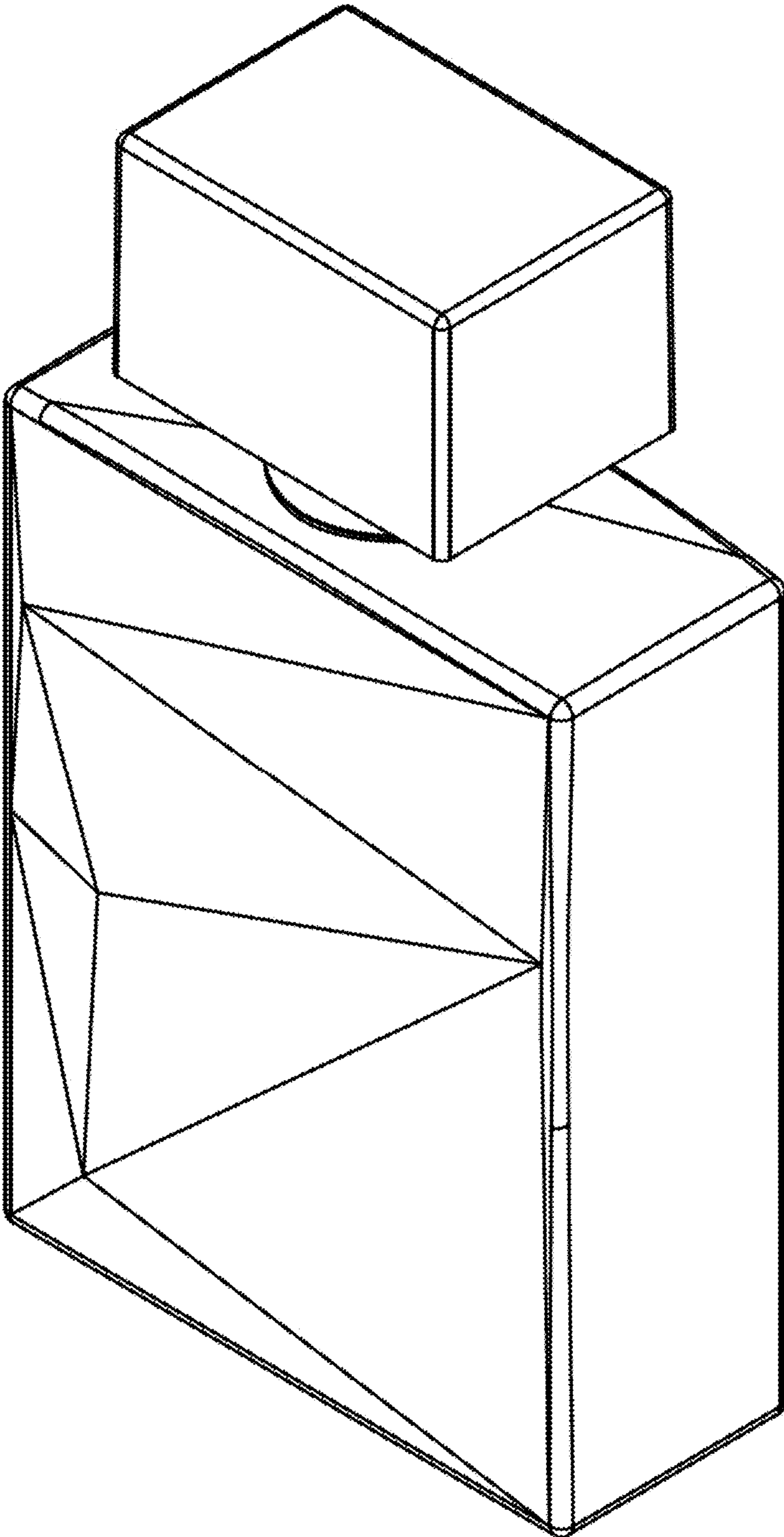


FIG. 1

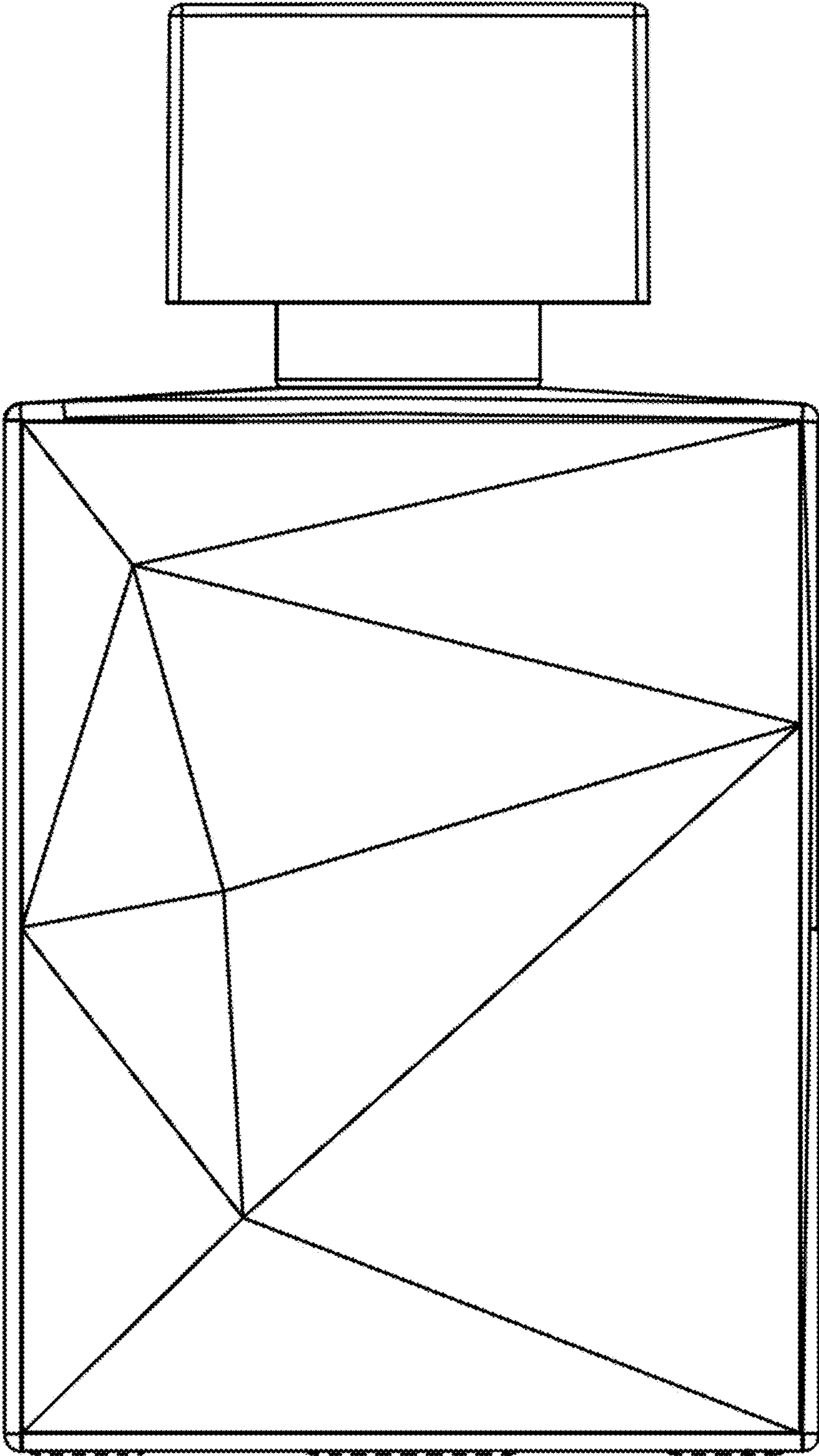


FIG. 2

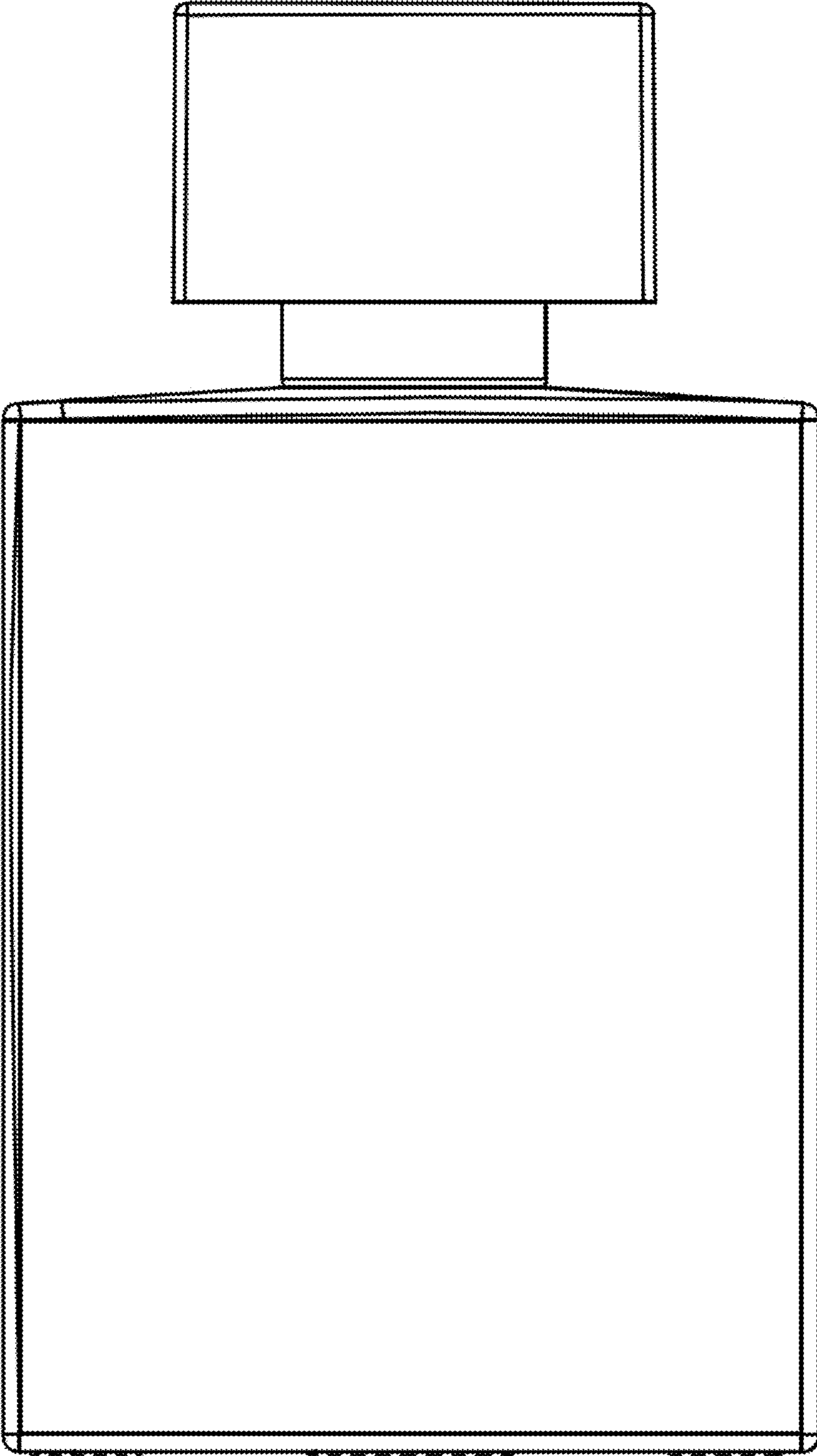


FIG. 3

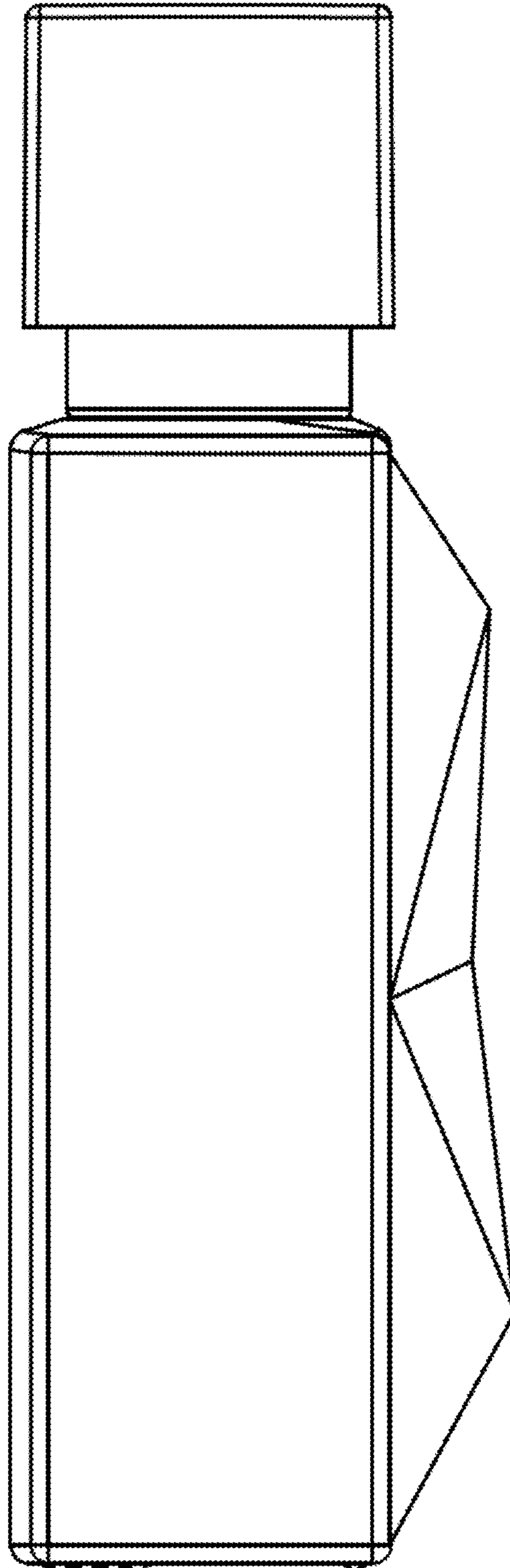


FIG. 4

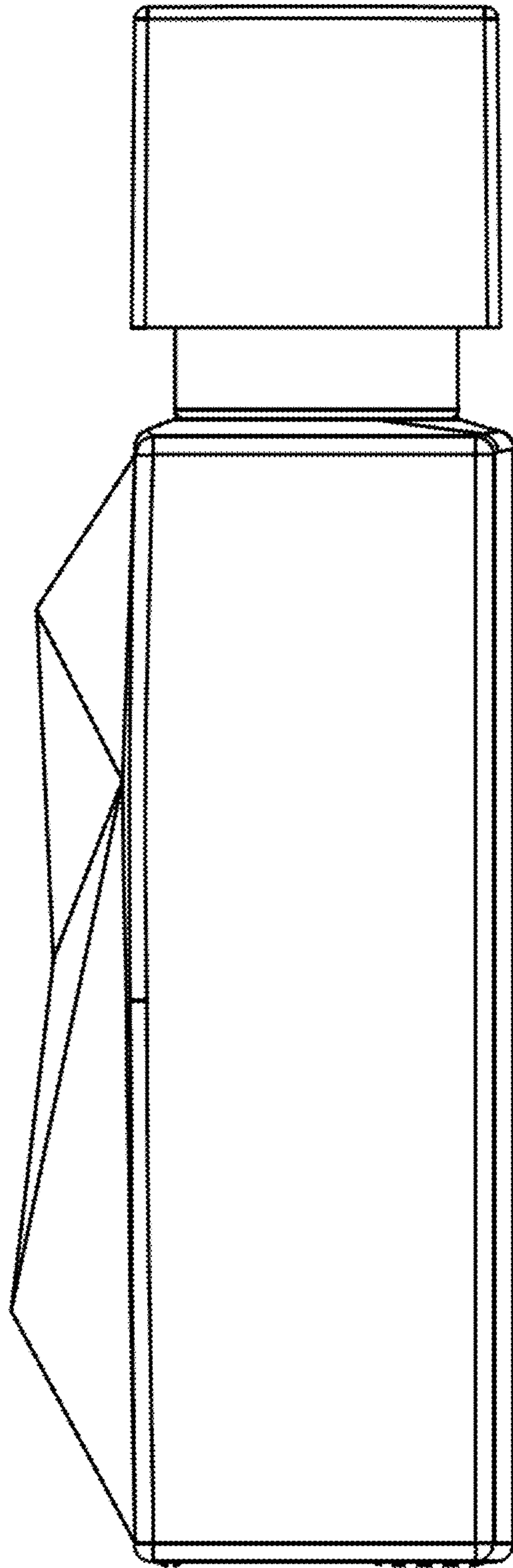


FIG. 5

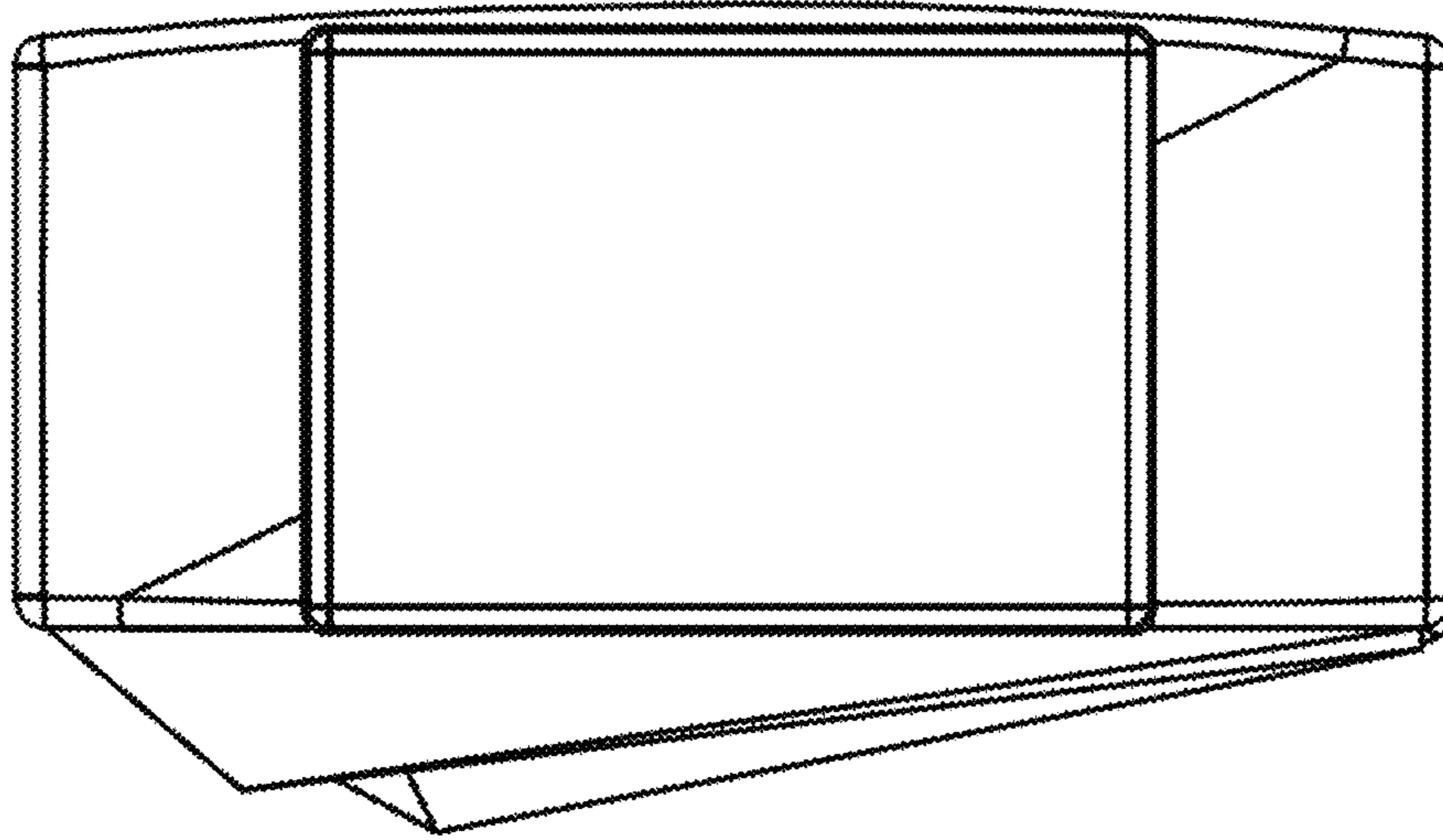


FIG. 6

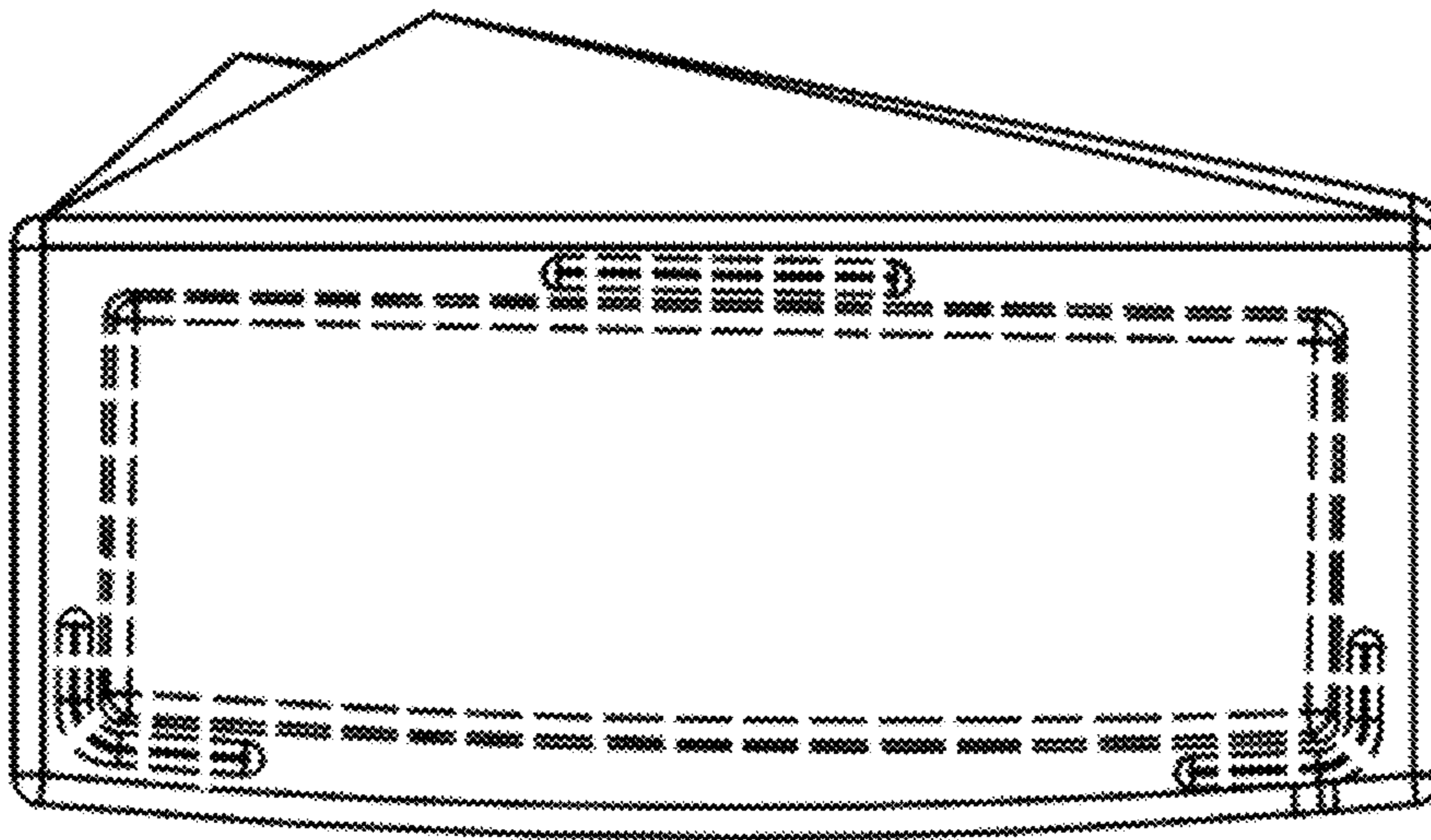


FIG. 7

UNITED STATES PATENT AND TRADEMARK OFFICE
CERTIFICATE OF CORRECTION

PATENT NO. : D924,066 S
APPLICATION NO. : 29/770335
DATED : July 6, 2021
INVENTOR(S) : Elias et al.

Page 1 of 1

It is certified that error appears in the above-identified patent and that said Letters Patent is hereby corrected as shown below:

On the Title Page

Item (73) Assignee: "Sao Paolo" should read --São Paulo--.

Signed and Sealed this
Thirteenth Day of December, 2022
Katherine Kelly Vidal

Katherine Kelly Vidal
Director of the United States Patent and Trademark Office