



US00D924065S

(12) **United States Design Patent**  
**Eble**

(10) **Patent No.:** **US D924,065 S**

(45) **Date of Patent:** **\*\* Jul. 6, 2021**

(54) **CONTAINER**

(71) Applicant: **Pretium Packaging, L.L.C.**,  
Chesterfield, MO (US)

(72) Inventor: **Raymond C. Eble**, Sugarloaf, PA (US)

(73) Assignee: **Pretium Packaging, L.L.C.**,  
Chesterfield, MO (US)

(\*\*) Term: **15 Years**

(21) Appl. No.: **29/652,298**

(22) Filed: **Jul. 13, 2020**

(51) **LOC (13) Cl.** ..... **09-01**

(52) **U.S. Cl.**  
USPC ..... **D9/553; D9/520; D9/550; D9/555;**  
**D9/558**

(58) **Field of Classification Search**  
USPC ..... **D9/516, 520, 549, 550, 553, 555, 556,**  
**D9/557, 558, 560, 563, 566, 568, 574,**  
**D9/715, 719; D7/615**

CPC ..... **B65D 1/00; B65D 1/02; B65D 1/0223;**  
**B65D 1/44; B65D 23/00; B65D 23/102;**  
**B65D 2501/00; B65D 2501/0009; B65D**  
**2501/0018; B65D 2501/0036**  
See application file for complete search history.

(56) **References Cited**

**U.S. PATENT DOCUMENTS**

D102,268 S	12/1936	Flannery	
D178,131 S *	6/1956	Lorenzen	D9/566
D264,435 S	5/1982	Pettengill	
D282,050 S	1/1986	Beaver et al.	
D356,264 S	3/1995	Praturlon et al.	
D450,244 S *	11/2001	Rashid	D9/502
D487,564 S	3/2004	Beck et al.	
D518,725 S	4/2006	Eble	
D531,904 S	11/2006	Sillett et al.	
D539,661 S	4/2007	Eble	

D548,607 S	8/2007	Langbein et al.	
D558,583 S	1/2008	Langbein et al.	
D602,357 S *	10/2009	Serrano Diaz	D9/502
D606,870 S	12/2009	Kaminski et al.	
D607,743 S	1/2010	Eble	
D608,211 S	1/2010	Eble	
D612,249 S	3/2010	Wurster et al.	
D612,266 S	3/2010	Kaminski et al.	
D619,012 S	7/2010	Eble	
D630,515 S *	1/2011	Bretz	D9/520
D639,172 S	6/2011	Dupuis et al.	
D639,173 S	6/2011	Dupuis et al.	

(Continued)

**FOREIGN PATENT DOCUMENTS**

CA	2552105 A1	1/2007
CA	136194 S	7/2011
CA	2774334 A1	10/2012

*Primary Examiner* — Dana Meyrow

(74) *Attorney, Agent, or Firm* — Armstrong Teasdale LLP

(57) **CLAIM**

I claim the ornamental design for a container, as shown and described.

**DESCRIPTION**

FIG. 1 is a perspective view of a container showing the new design.

FIG. 2 is a front view thereof.

FIG. 3 is a rear view thereof.

FIG. 4 is right side view thereof.

FIG. 5 is a left side view thereof.

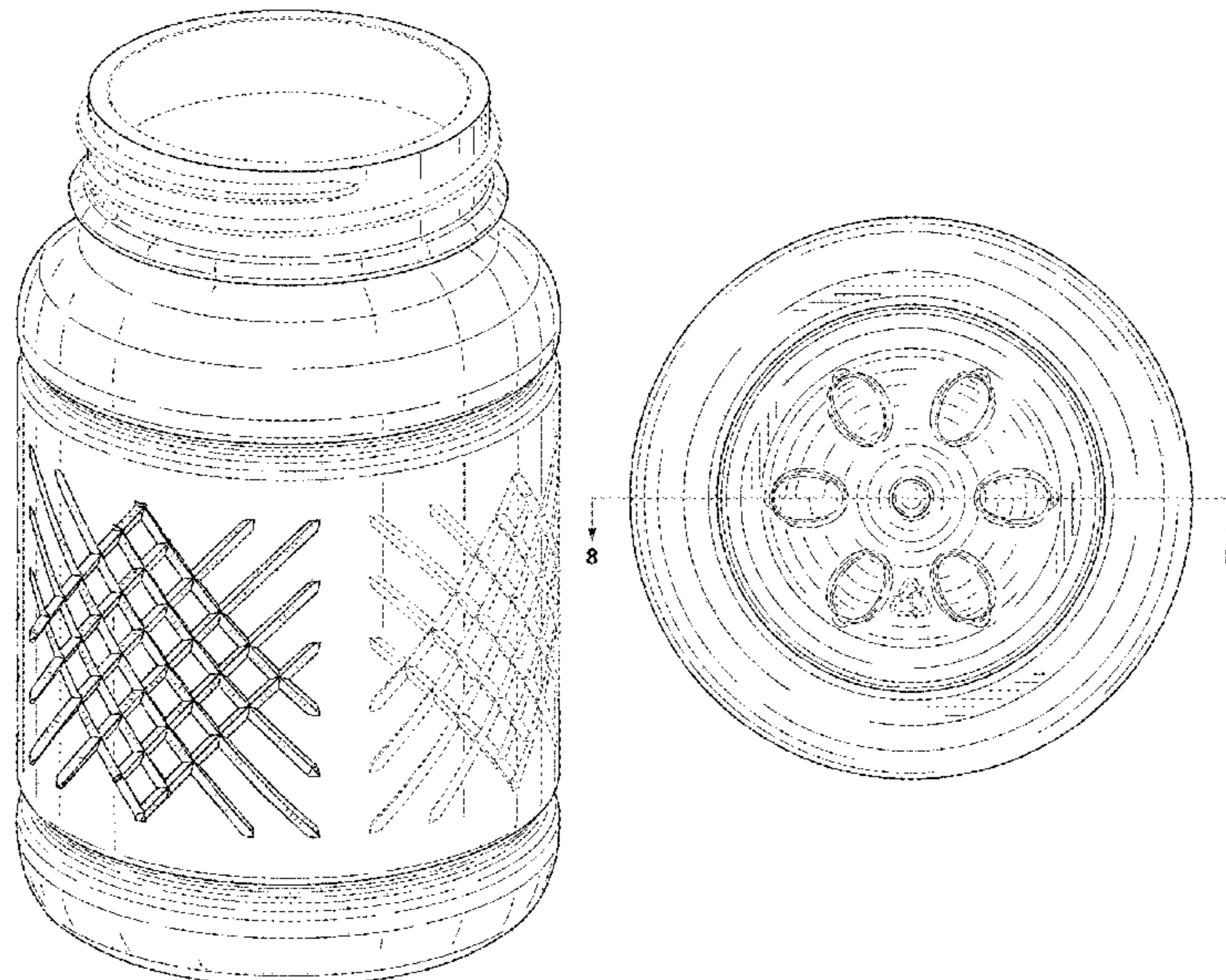
FIG. 6 is a top view thereof.

FIG. 7 is a bottom view thereof; and,

FIG. 8 is a cross-sectional view thereof taken along line "8-8" of FIG. 7.

In these drawings, the solid lines illustrate the claimed ornamental design, whereas the broken lines illustrate portions of the container that form no part of the claimed design.

**1 Claim, 8 Drawing Sheets**



(56)

**References Cited**

U.S. PATENT DOCUMENTS

D653,119 S 1/2012 Hunter et al.  
 D655,181 S 3/2012 Kraft et al.  
 D655,182 S 3/2012 Kraft et al.  
 D663,215 S 7/2012 Clay et al.  
 D663,624 S 7/2012 Eble  
 D680,005 S 4/2013 Eble  
 D682,114 S 5/2013 Kraus et al.  
 8,602,237 B2 12/2013 Wurster et al.  
 D697,408 S 1/2014 Eble  
 D701,769 S 4/2014 Eble  
 D717,662 S 11/2014 Eble  
 D719,456 S 12/2014 Ivie  
 D721,278 S 1/2015 Eble  
 D721,588 S 1/2015 Robling et al.  
 D722,883 S 2/2015 Eble  
 D722,884 S 2/2015 Eble  
 9,033,194 B1 5/2015 Grabowski et al.  
 D734,159 S 7/2015 Brisson  
 D734,161 S 7/2015 Bolleaux

D735,046 S 7/2015 De Lorme  
 D735,581 S 8/2015 Eble  
 D739,757 S 9/2015 Newton et al.  
 9,193,495 B2 11/2015 Eble  
 D745,417 S \* 12/2015 Zebert ..... D9/773  
 D760,591 S 7/2016 Groglopo Favetto et al.  
 D764,922 S 8/2016 Eble  
 D767,998 S 10/2016 Peacock et al.  
 D788,592 S 6/2017 Shaver et al.  
 D791,606 S 7/2017 Cobb  
 D794,468 S 8/2017 Ivie  
 D805,393 S 12/2017 Eble  
 9,994,378 B2 6/2018 Wurster et al.  
 D846,992 S 4/2019 Eble  
 D855,473 S 8/2019 Liu et al.  
 D864,726 S 10/2019 Eble  
 D885,927 S \* 6/2020 Eble ..... D9/563  
 D886,624 S 6/2020 Eble  
 D894,007 S \* 8/2020 Eble ..... D9/563  
 2009/0188888 A1 \* 7/2009 Penny ..... B65D 1/0246  
 215/329

\* cited by examiner



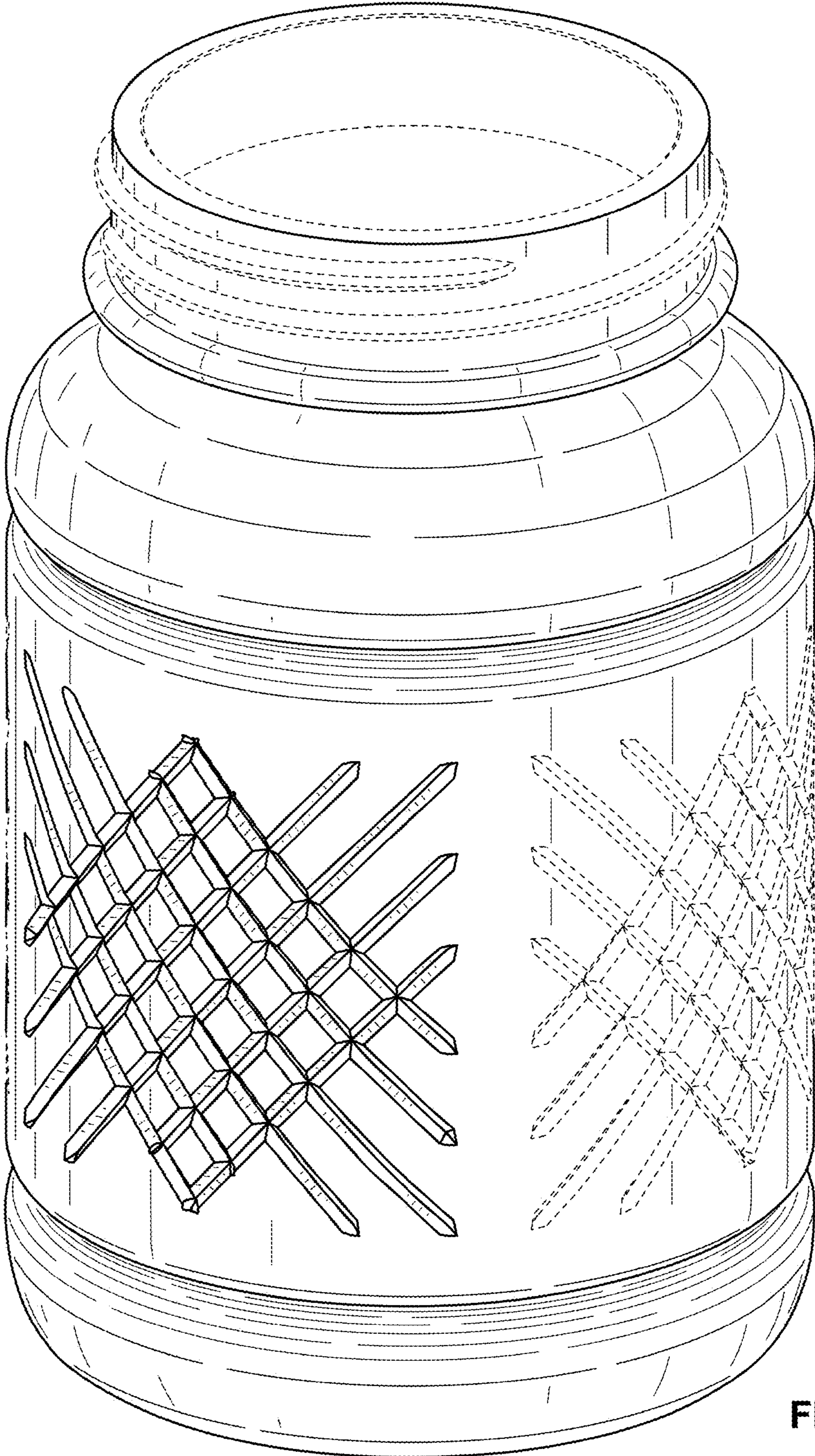


FIG. 1

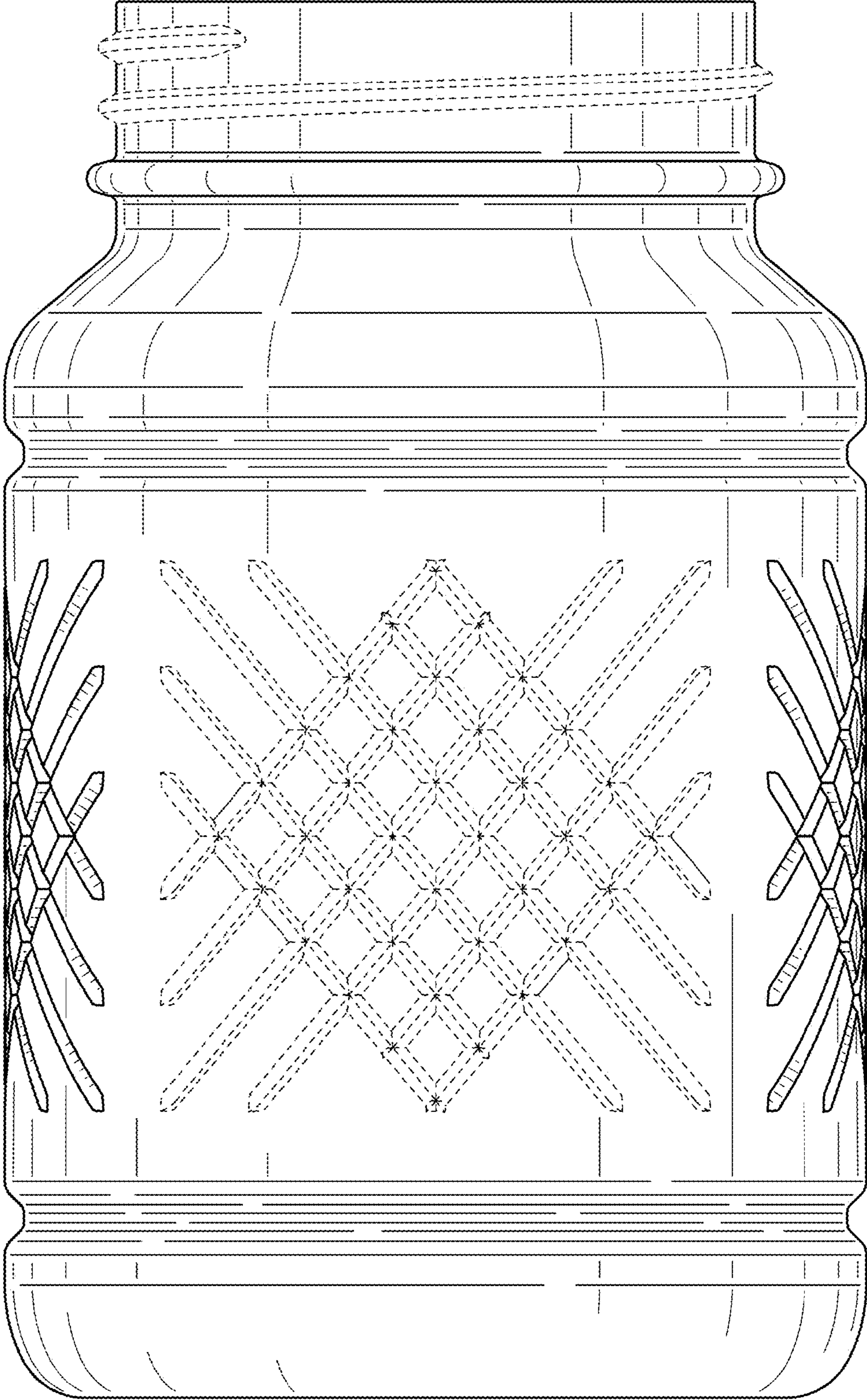


FIG. 2



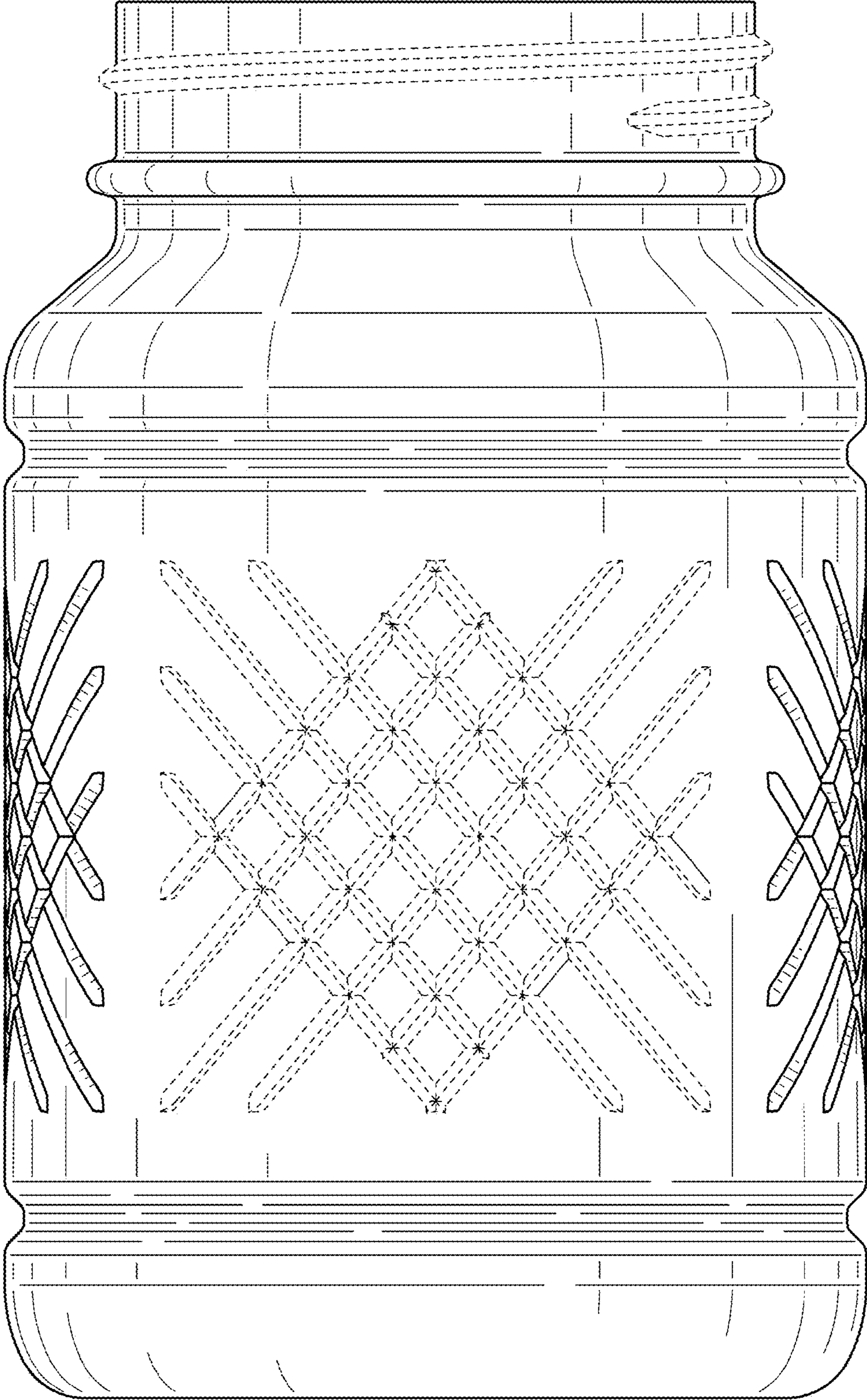


FIG. 3

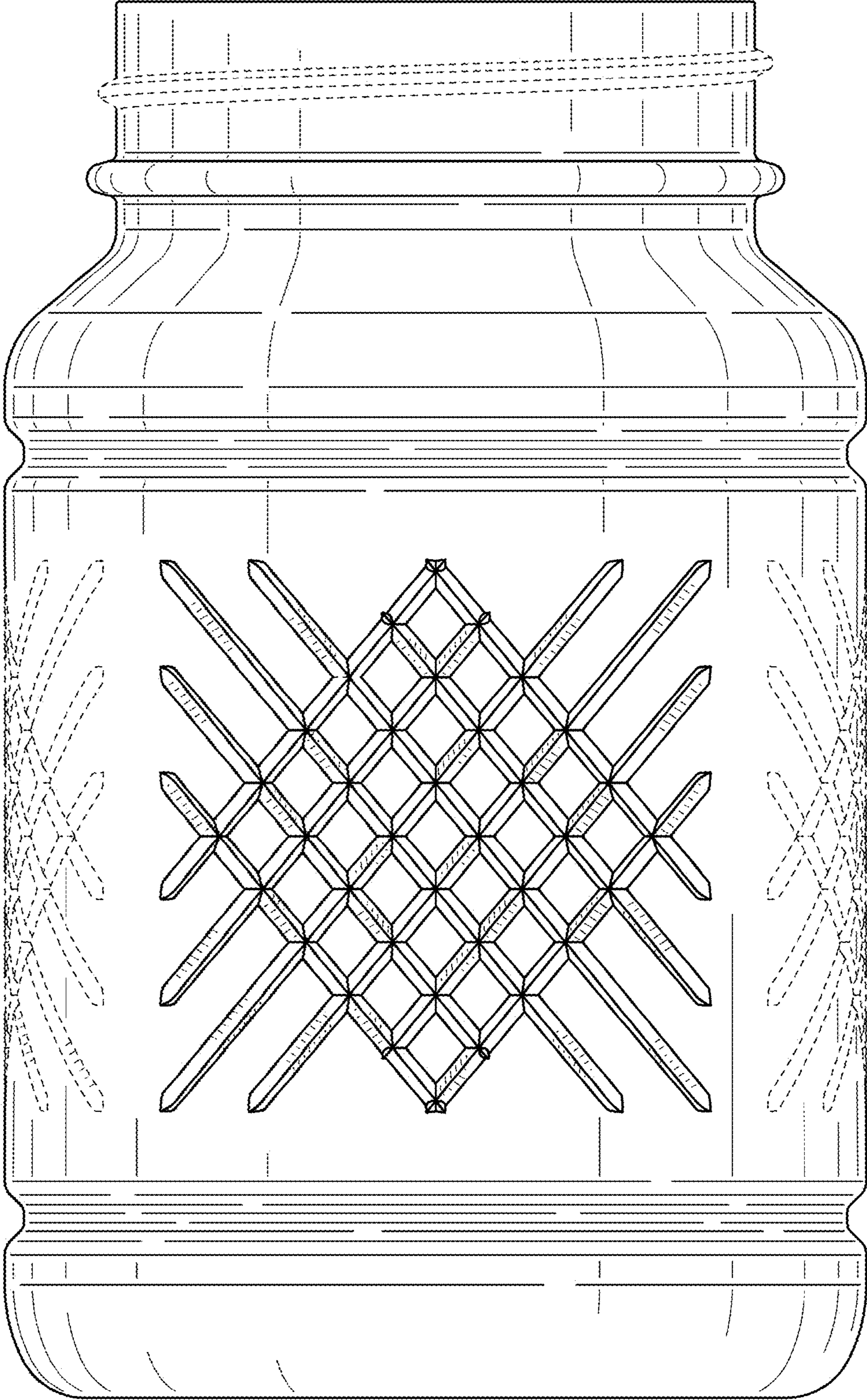


FIG. 4



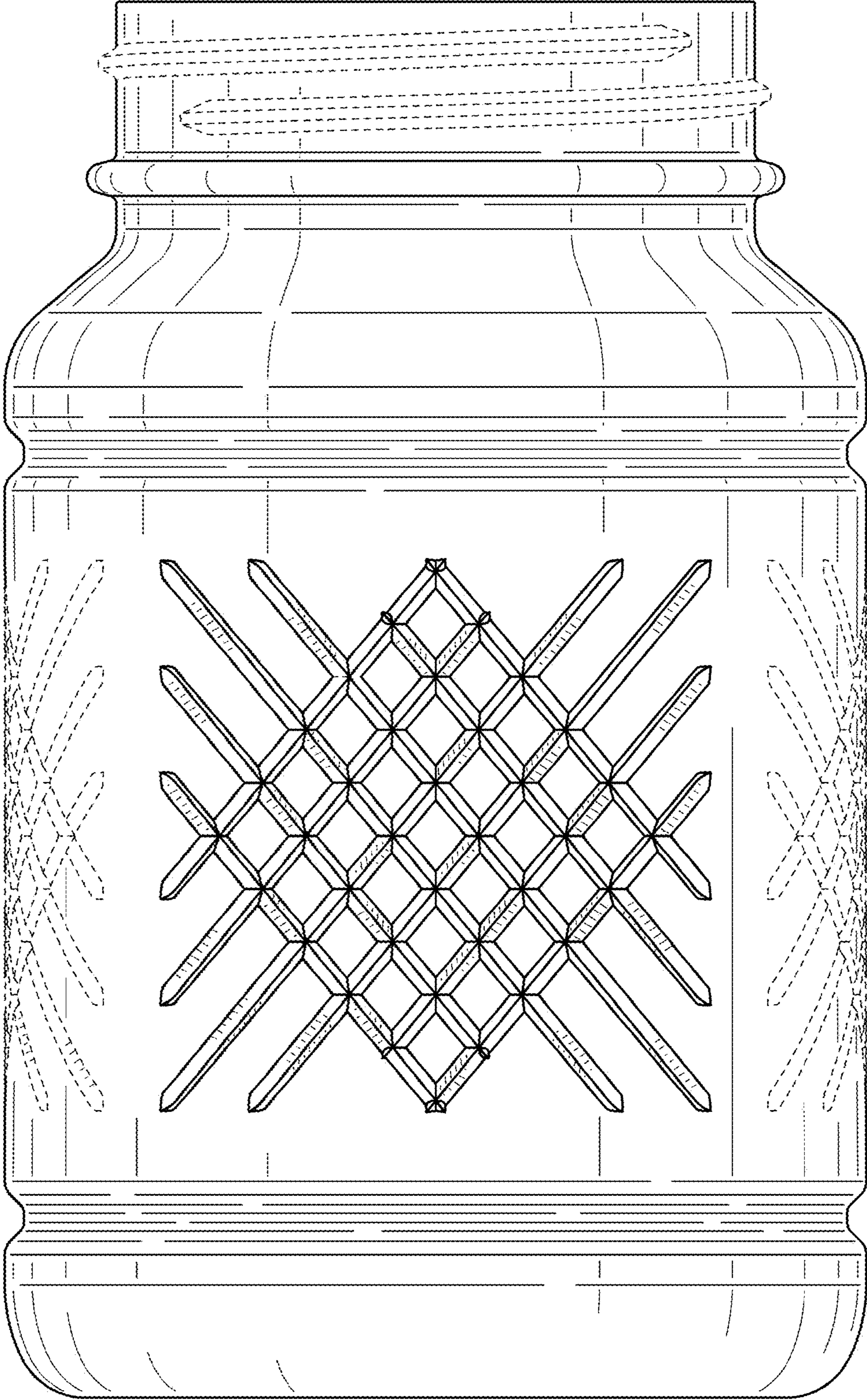


FIG. 5

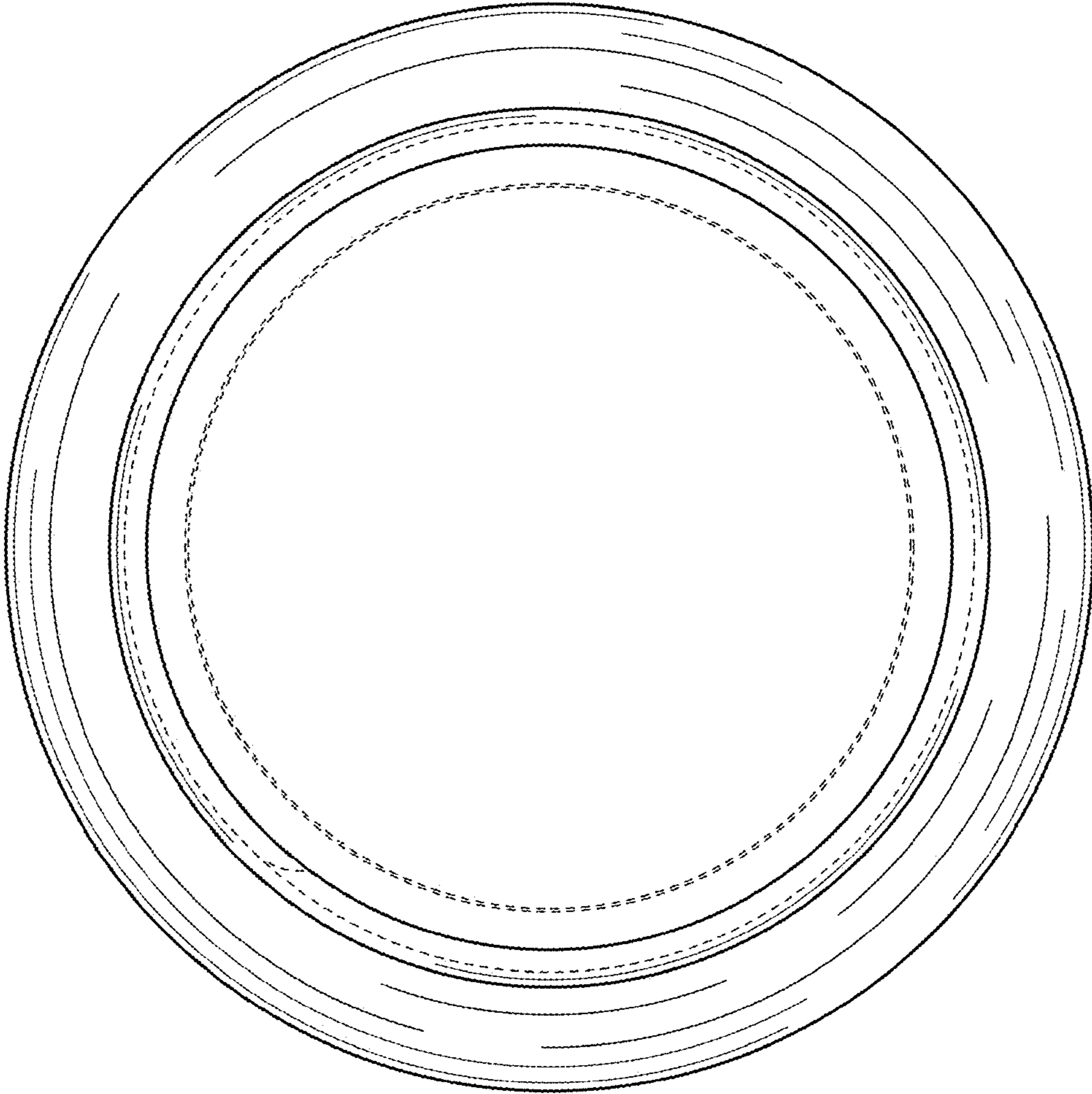


FIG. 6



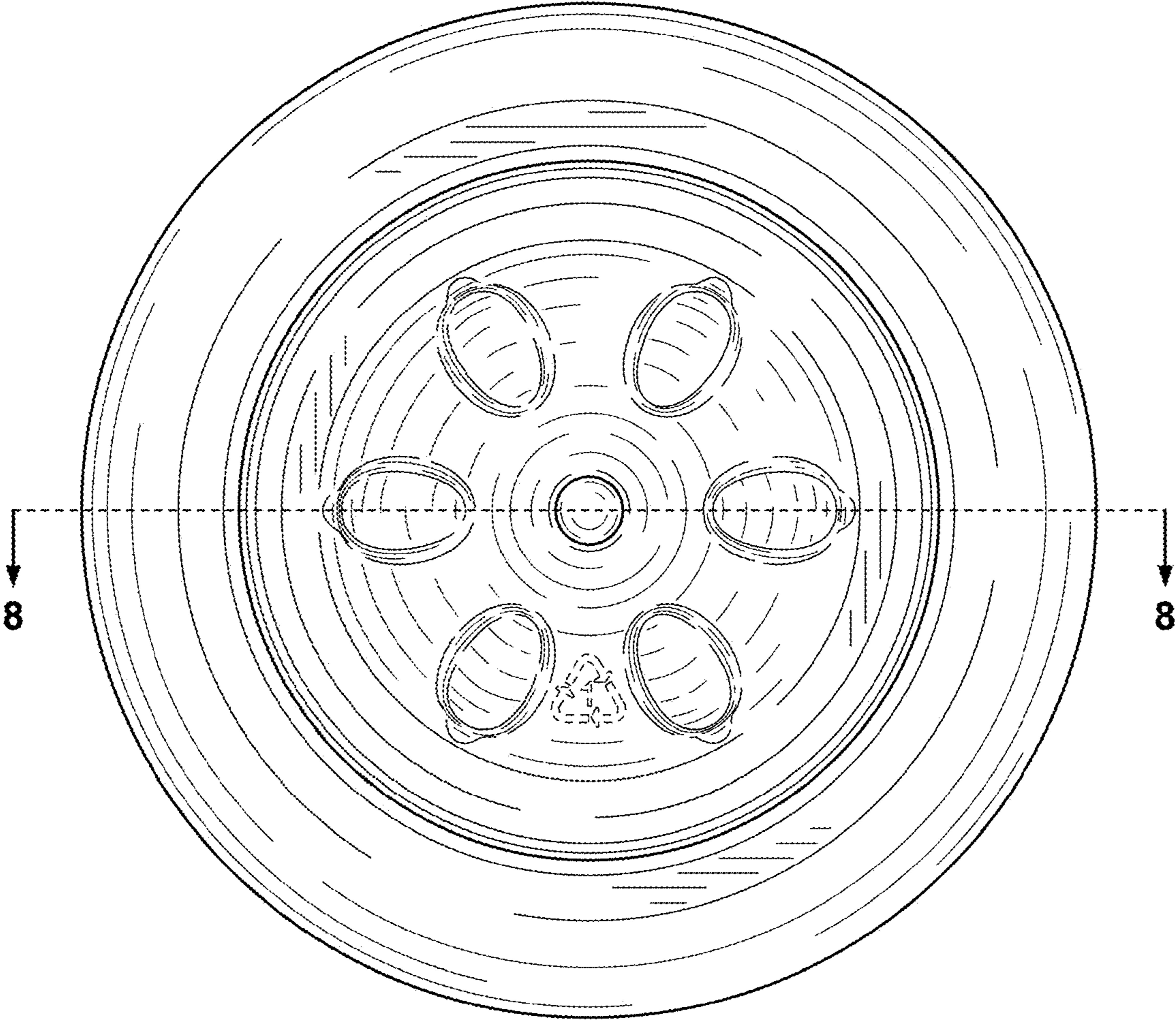


FIG. 7

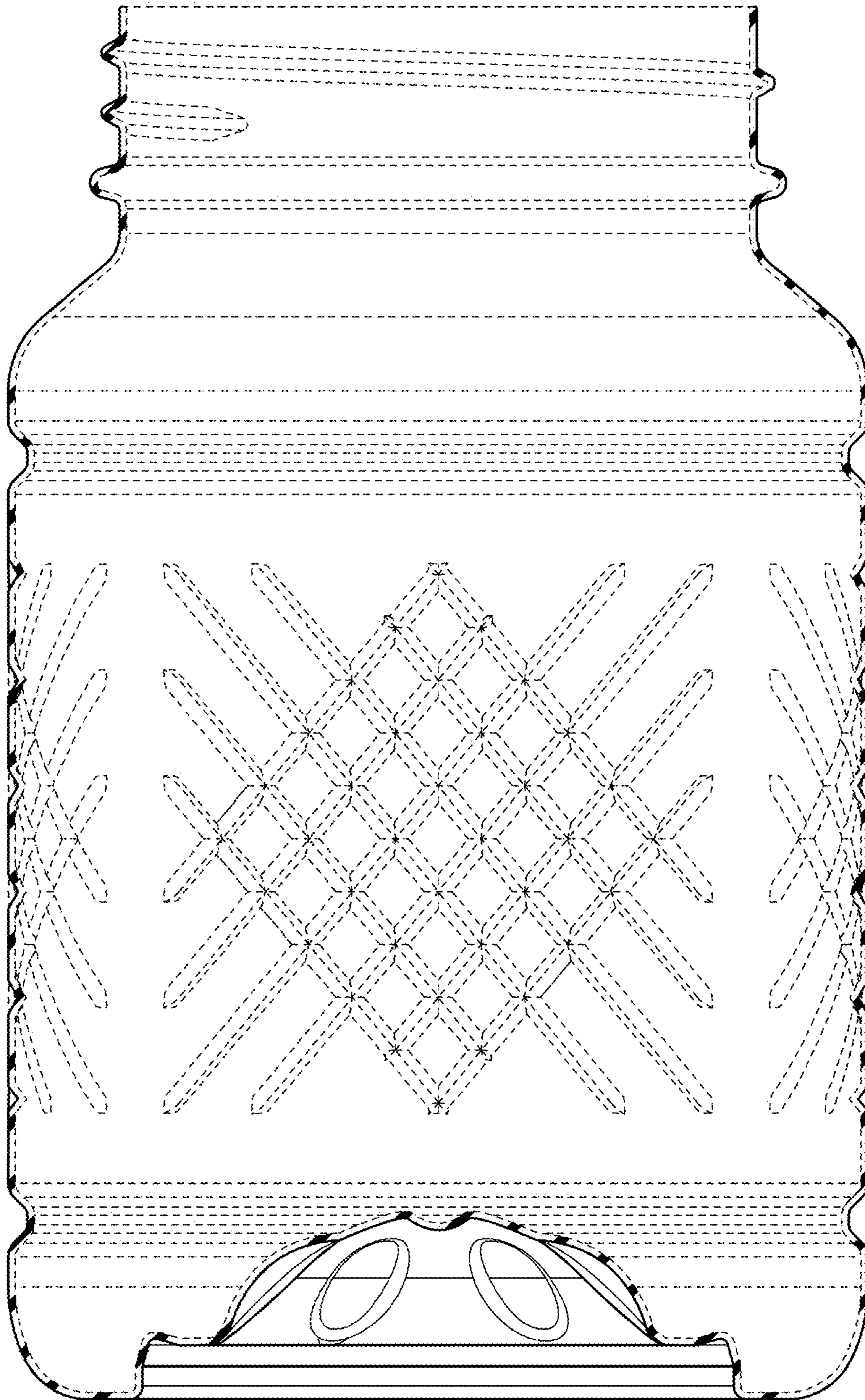


FIG. 8