



US00D924064S

(12) **United States Design Patent** (10) **Patent No.:** **US D924,064 S**
Mandell et al. (45) **Date of Patent:** **** Jul. 6, 2021**

(54) **BOTTLE**
(71) Applicant: **S. C. Johnson & Son, Inc.**, Racine, WI (US)
(72) Inventors: **Jonathan N. Mandell**, Gurnee, IL (US); **Donald J. Schumacher**, Milwaukee, WI (US); **Scott D. Walter**, Twin Lakes, WI (US); **Sabrina Adami**, Hard (AT)
(73) Assignee: **S. C. Johnson & Son, Inc.**, Racine, WI (US)
(**) Term: **15 Years**

D494,473 S 8/2004 Yourist
D494,854 S 8/2004 Matauch
D497,549 S 10/2004 Maskell et al.
D501,404 S 2/2005 Dalton et al.
6,857,531 B2 2/2005 Slat et al.
D503,341 S 3/2005 Delmotte
D504,069 S 4/2005 Gross et al.
D505,864 S 6/2005 Snyder
D506,139 S 6/2005 Zboch et al.
(Continued)

FOREIGN PATENT DOCUMENTS

CN 303925483 11/2016
CN 305091126 4/2019
(Continued)

(21) Appl. No.: **29/695,136**
(22) Filed: **Jun. 17, 2019**
(51) **LOC (13) Cl.** **09-01**
(52) **U.S. Cl.**
USPC **D9/552; D9/575**
(58) **Field of Classification Search**
USPC D9/434, 516, 519, 520, 530, 537, 538,
D9/539, 540, 541, 545, 549, 550, 552,
D9/556, 557, 558, 574, 575, 715, 719;
D7/300, 300.1, 509, 523, 525, 528, 529,
D7/532, 619.1
CPC B65D 1/0223; B65D 2501/0036; B65D
1/023; B65D 1/40; B65D 23/102; B65D
1/00; B65D 1/02; B65D 1/44; B65D
23/00; B65D 2501/00; B65D 2501/0009;
B65D 2501/0018
See application file for complete search history.

OTHER PUBLICATIONS

Jul. 28, 2020—(RU) Office Action—App. 2019505696/49.

Primary Examiner — Janice Patyk

(57) **CLAIM**

The ornamental design for a bottle, as shown and described.

DESCRIPTION

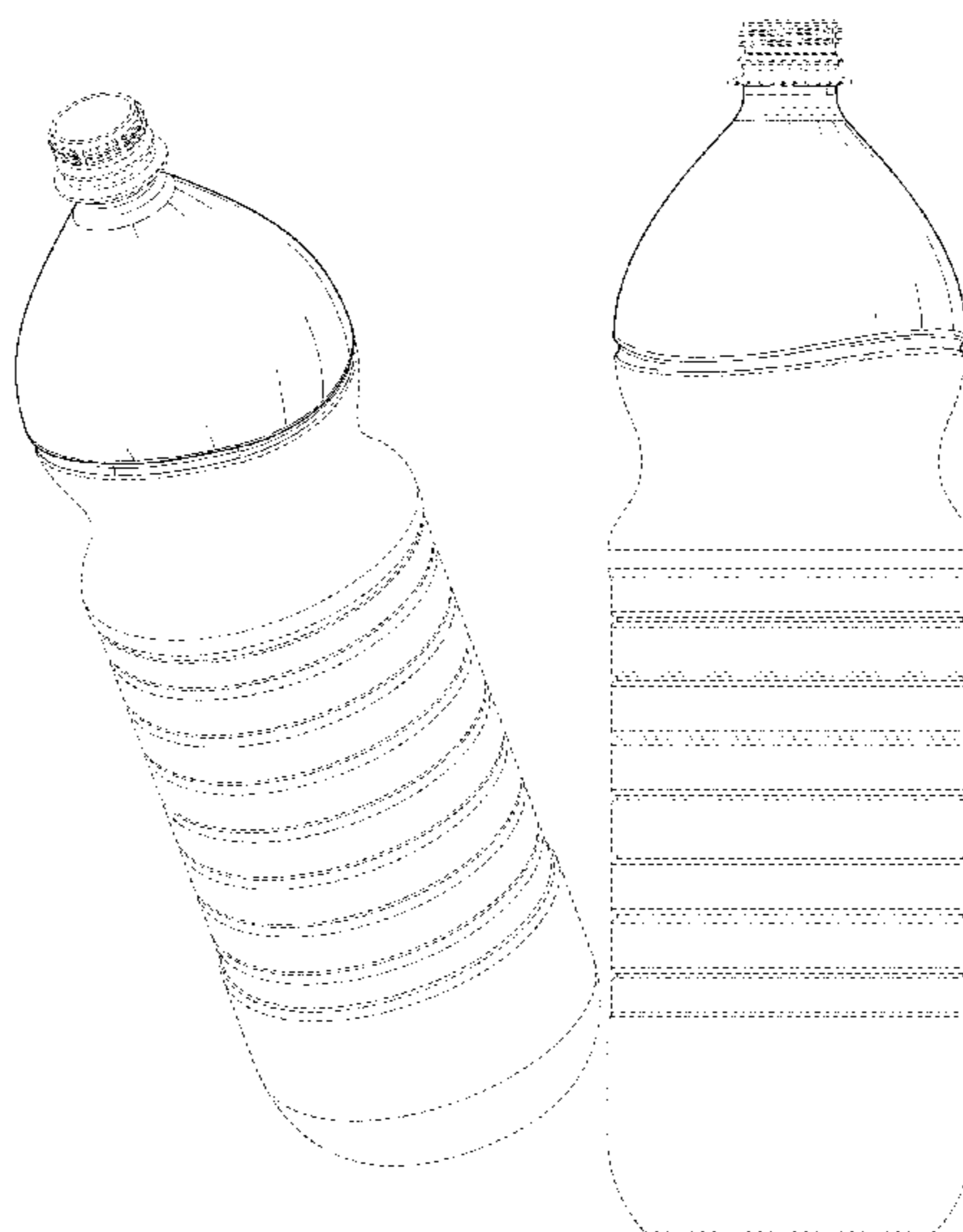
FIG. 1 is a top, front, right perspective view of a bottle showing our new design;
FIG. 2 is a bottom, front, right perspective view thereof;
FIG. 3 is a right side view thereof;
FIG. 4 is a left side view thereof;
FIG. 5 is a front view thereof;
FIG. 6 is a rear view thereof;
FIG. 7 is a top view thereof; and,
FIG. 8 is a bottom view thereof.
The broken lines immediately adjacent to the shaded area define the bounds of the claimed design and form no part thereof. The broken lines depicting the remainder of the bottle show features that form no part of the claimed design.

(56) **References Cited**

U.S. PATENT DOCUMENTS

D401,860 S 12/1998 Mentasti Granelli
D427,518 S * 7/2000 Steward D9/538
D466,023 S * 11/2002 Eickmeier D9/552
6,497,333 B1 12/2002 Ellis et al.

1 Claim, 5 Drawing Sheets



(56)

References Cited

U.S. PATENT DOCUMENTS

D506,923 S	7/2005	Zboch et al.	D698,656 S	2/2014	Fleischhacker et al.
D506,931 S	7/2005	Delmotte	D699,114 S	2/2014	Fleischhacker et al.
D509,145 S	9/2005	Dorn et al.	D699,580 S	2/2014	Eaton et al.
D510,025 S *	9/2005	Venkataraman D9/516	D706,638 S *	6/2014	Fleischhacker D9/556
6,983,858 B2	1/2006	Slat et al.	8,739,995 B2	6/2014	Sasaki et al.
D514,947 S	2/2006	Darr et al.	D709,377 S	7/2014	Kondo
D515,933 S	2/2006	Mero et al.	D712,270 S	9/2014	Maquita Nakano et al.
D517,918 S	3/2006	Colloud et al.	8,905,253 B2	12/2014	Mooney
7,032,770 B2	4/2006	Finlay et al.	D728,374 S	5/2015	Doerr et al.
D521,868 S	5/2006	Arima	D730,237 S	5/2015	Kopenec
D522,869 S	6/2006	Leshyk	D731,152 S	6/2015	Savage
D526,198 S	8/2006	Sasaki et al.	D736,638 S	8/2015	Boon
D526,906 S	8/2006	Yorn et al.	D739,758 S *	9/2015	Kissinger D9/552
D528,421 S	9/2006	Sasaki et al.	D740,124 S	10/2015	Janssen et al.
D529,816 S	10/2006	Yorn et al.	D740,130 S	10/2015	Martin et al.
D538,661 S	3/2007	Wolf et al.	D741,194 S	10/2015	Martin et al.
D540,692 S	4/2007	Yorn et al.	D741,714 S	10/2015	Llewellyn et al.
7,213,719 B2	5/2007	Pedmo et al.	D741,718 S	10/2015	Hanan et al.
7,243,808 B2	7/2007	Livingston et al.	D742,175 S	11/2015	Rashid et al.
D548,106 S	8/2007	Martinez et al.	D744,348 S	12/2015	Beauchamp et al.
D549,104 S *	8/2007	Dimmel D9/550	D748,984 S	2/2016	Andersson
D556,044 S *	11/2007	Hirata D9/520	D749,423 S	2/2016	Daniel et al.
D556,048 S	11/2007	Lepoitevin	D750,495 S	3/2016	Llewellyn et al.
D556,592 S	12/2007	Gage et al.	D752,444 S	3/2016	Schlies et al.
D561,042 S *	2/2008	Darr D9/550	D752,445 S	3/2016	Jasso Gomez
D564,359 S	3/2008	Trollope et al.	D752,446 S	3/2016	Jasso Gomez
D564,896 S	3/2008	Trollope et al.	D753,504 S	4/2016	Miller et al.
D566,572 S	4/2008	Darr et al.	D753,506 S	4/2016	Veletakos
D567,092 S	4/2008	Venkataraman et al.	D755,049 S	5/2016	Clark et al.
7,364,045 B2	4/2008	Dygert et al.	D756,233 S	5/2016	Romero Salido
D568,166 S	5/2008	Dellevigne	D759,493 S	6/2016	Evers et al.
D570,224 S	6/2008	Dellevigne	D759,494 S	6/2016	Hanan et al.
D570,702 S	6/2008	Adamson et al.	D761,660 S	7/2016	Giles
D572,139 S	7/2008	Trollope et al.	D762,121 S	7/2016	Druart
D573,029 S	7/2008	Venkataraman et al.	D762,124 S	7/2016	Giles
D576,886 S	9/2008	Venkataraman et al.	D762,482 S	8/2016	Giles
D576,887 S	9/2008	Bourne	D763,090 S	8/2016	Zeng et al.
D579,780 S	11/2008	Lepoitevin	D763,091 S	8/2016	Zeng et al.
D582,781 S	12/2008	Miller	D764,297 S	8/2016	Impedovo et al.
D584,627 S	1/2009	Lepoitevin	9,403,625 B2	8/2016	Lembke et al.
D585,293 S	1/2009	Honkawa	D767,404 S	9/2016	Eaton et al.
D587,120 S	2/2009	Meillerais	D767,993 S	10/2016	Joshi et al.
D603,268 S	11/2009	Bourne	D773,310 S	12/2016	Zeng et al.
D603,709 S *	11/2009	Lepoitevin D9/520	D777,578 S *	1/2017	Kunst D9/538
D603,711 S *	11/2009	Lepoitevin D9/538	D779,953 S	2/2017	Ring et al.
D604,169 S	11/2009	Melossi	D781,152 S	3/2017	Zhao et al.
D604,176 S	11/2009	Toeffel et al.	D787,945 S	5/2017	Rashid et al.
D605,046 S	12/2009	Lablaine	D789,202 S	6/2017	Kissinger et al.
D608,209 S	1/2010	Lepoitevin	D789,207 S	6/2017	Peacock
D609,108 S	2/2010	George et al.	D789,795 S	6/2017	Boon
D611,828 S	3/2010	Lepoitevin	D790,974 S	7/2017	Hanan et al.
D612,255 S	3/2010	Shah	D793,237 S	8/2017	Vitale Rotta
D621,264 S	8/2010	Williams	D795,077 S	8/2017	Peacock
D621,271 S	8/2010	Soni	D804,318 S	12/2017	Perez et al.
D621,276 S	8/2010	Bourne	D805,393 S *	12/2017	Eble D9/552
D621,711 S	8/2010	Williams	D814,934 S	4/2018	Jasso Gomez
D623,950 S	9/2010	Eugui et al.	D832,104 S *	10/2018	Kunst D9/516
D626,379 S	11/2010	Furlong et al.	D841,473 S *	2/2019	Omdahl, II D9/530
D628,435 S	12/2010	Furlong et al.	D843,787 S *	3/2019	Bo D7/523
D635,461 S	4/2011	Inoi et al.	D845,775 S *	4/2019	Ke D9/516
D637,493 S	5/2011	Furlong et al.	D865,528 S	11/2019	Barnier et al.
D642,922 S	8/2011	Kuzma et al.	D871,222 S	12/2019	Dabrowski et al.
D645,357 S	9/2011	Dumas	D872,581 S	1/2020	Dabrowski
D646,980 S	10/2011	Inoi	D885,922 S *	6/2020	Tanaka D9/516
D648,633 S	11/2011	Boukobza	2005/0218108 A1	10/2005	Bangi et al.
8,091,720 B2	1/2012	Colloud	2013/0140264 A1 *	6/2013	Hanan B65D 23/00 215/384
D653,957 S	2/2012	Yourist et al.	2013/0213925 A1	8/2013	Forsthovel et al.
D655,180 S	3/2012	Kraft et al.	2013/0213980 A1	8/2013	Pedmo et al.
D655,181 S	3/2012	Kraft et al.	2014/0183202 A1 *	7/2014	Hanan B65D 1/0284 220/669
D657,683 S	4/2012	Oommen et al.	2015/0129536 A1	5/2015	Moulin et al.
D658,065 S	4/2012	Oommen et al.	2015/0144587 A1 *	5/2015	Hanan B65D 1/0284 215/377
D664,437 S	7/2012	Barel			
D666,497 S	9/2012	Lepoitevin			
D668,157 S	10/2012	Colloud			
D682,700 S	5/2013	White et al.			

(56)

References Cited

U.S. PATENT DOCUMENTS

2016/0009015 A1 1/2016 Bouffand et al.
 2016/0137331 A1* 5/2016 Hanan B65D 1/023
 215/44

FOREIGN PATENT DOCUMENTS

DE 1586928 A1 9/1970
 EM 0000625750001 12/2003
 EM 0001371460001 5/2004
 EM 0002239530001 11/2004
 EM 0004069880002 11/2005
 EM 0005081220001 6/2006
 EM 0006129160001 11/2006
 EM 0008412670001 1/2008
 EM 0010533910001 1/2009
 EM 0015682540001 7/2009
 EM 0015682540002 7/2009
 EM 0011569880001 9/2009
 EM 0016037700003 9/2009
 EM 0016050150001 10/2009
 EM 0016281160001 11/2009
 EM 0011705340003 1/2010
 EM 0016659850001 2/2010
 EM 0016690110001 3/2010
 EM 0012060560002 4/2010
 EM 0012165680021 6/2010
 EM 0016823600001 6/2010
 EM 0017326780001 7/2010
 EM 0017326780002 7/2010
 EM 0017326780003 7/2010
 EM 0017828140001 11/2010
 EM 0019340190001 10/2011
 EM 001266696-0001 11/2011
 EM 0019638690001 1/2012
 EM 0020052310001 3/2012
 EM 0020778910002 7/2012
 EM 0020907040001 8/2012

EM 0021571720001 1/2013
 EM 0021651670001 1/2013
 EM 0021733510001 3/2013
 EM 0022793150003 8/2013
 EM 0022793150004 8/2013
 EM 0013860800001 10/2013
 EM 0024452960001 4/2014
 EM 0025587750001 10/2014
 EM 0026038290003 12/2014
 EM 0020707710001 1/2015
 EM 0020820320001 2/2015
 EM 0026467600001 3/2015
 EM 0026468850001 3/2015
 EM 0026676180001 4/2015
 EM 0026903700002 4/2015
 EM 0026811970002 6/2015
 EM 0027119030001 6/2015
 EM 0027119030002 6/2015
 EM 0027119030003 6/2015
 EM 0027119030004 6/2015
 EM 0027119030007 6/2015
 EM 0022803210002 8/2015
 EM 0027442190003 8/2015
 EM 0028199950001 10/2015
 EM 0037718980001 3/2017
 EP 2084071 B1 1/2011
 EP 2163483 B1 1/2013
 ES D0525864 8/2017
 ES D0529858-0003 5/2019
 KE D938 8/2017
 KR 3009569620000 5/2018
 RU 66667 2/2007
 RU 96723 1/2015
 RU 112977 2/2018
 UA 9698 12/2004
 UA 30949_1 12/2015
 UA 30949_2 12/2015
 UA 30950 12/2015
 WO 000576186 8/2006

* cited by examiner

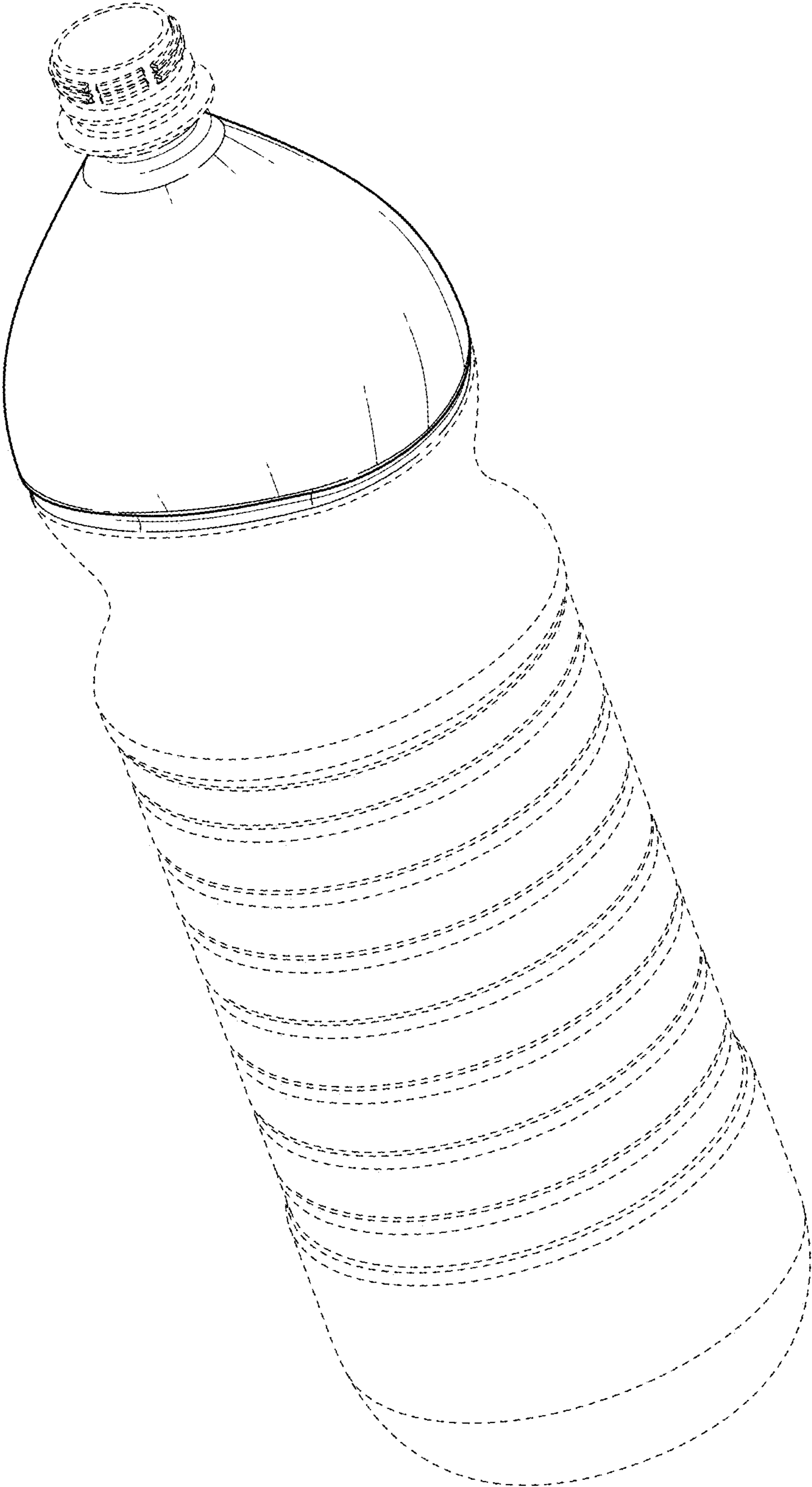


FIG. 1

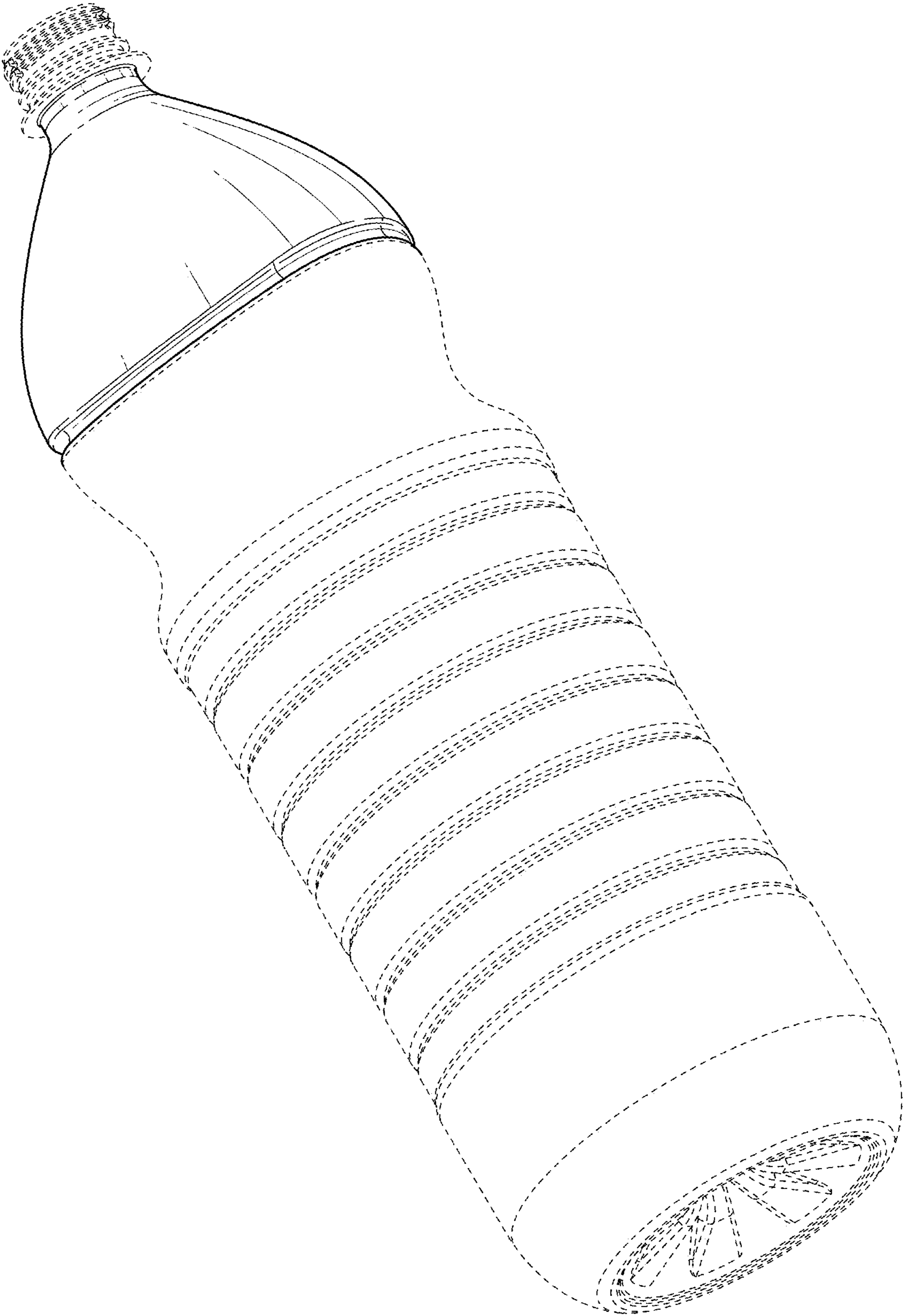


FIG. 2

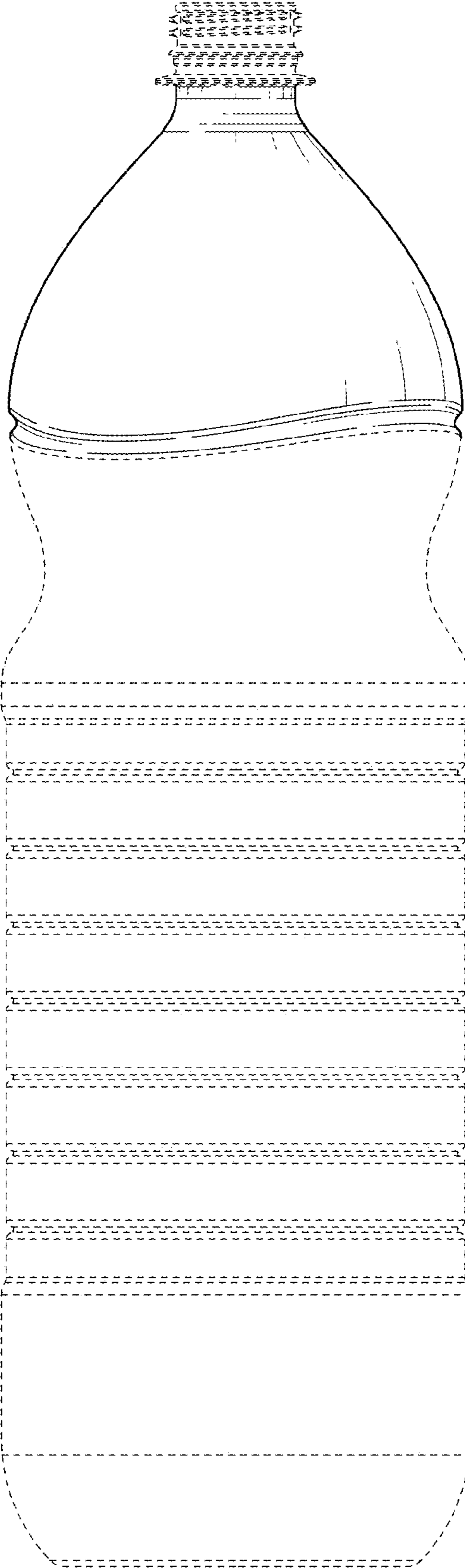


FIG. 3

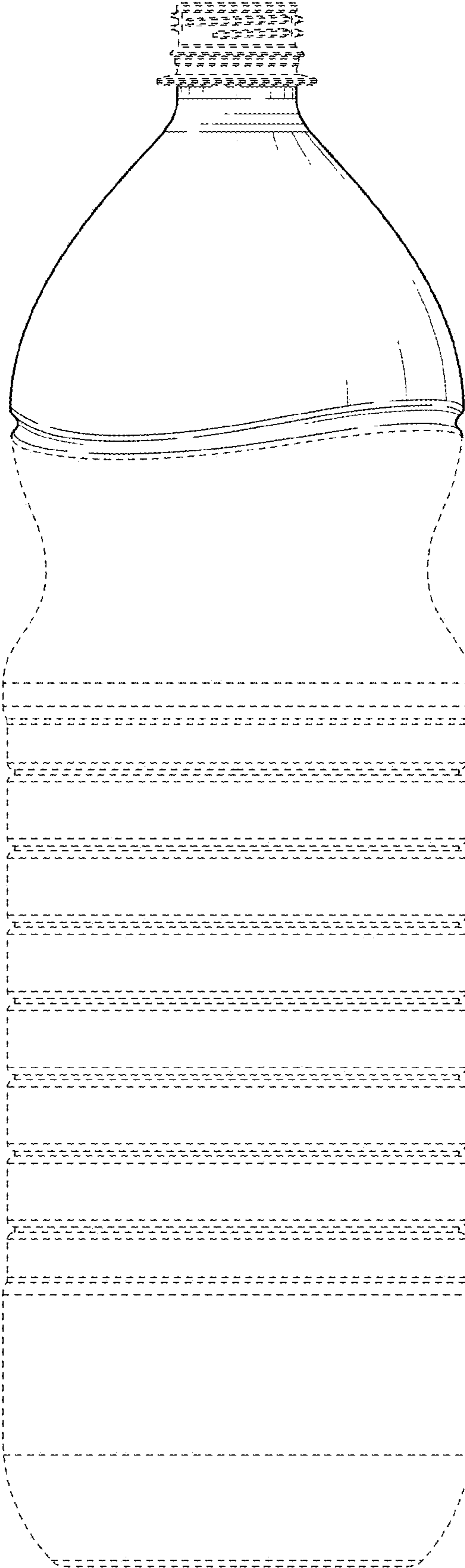


FIG. 4

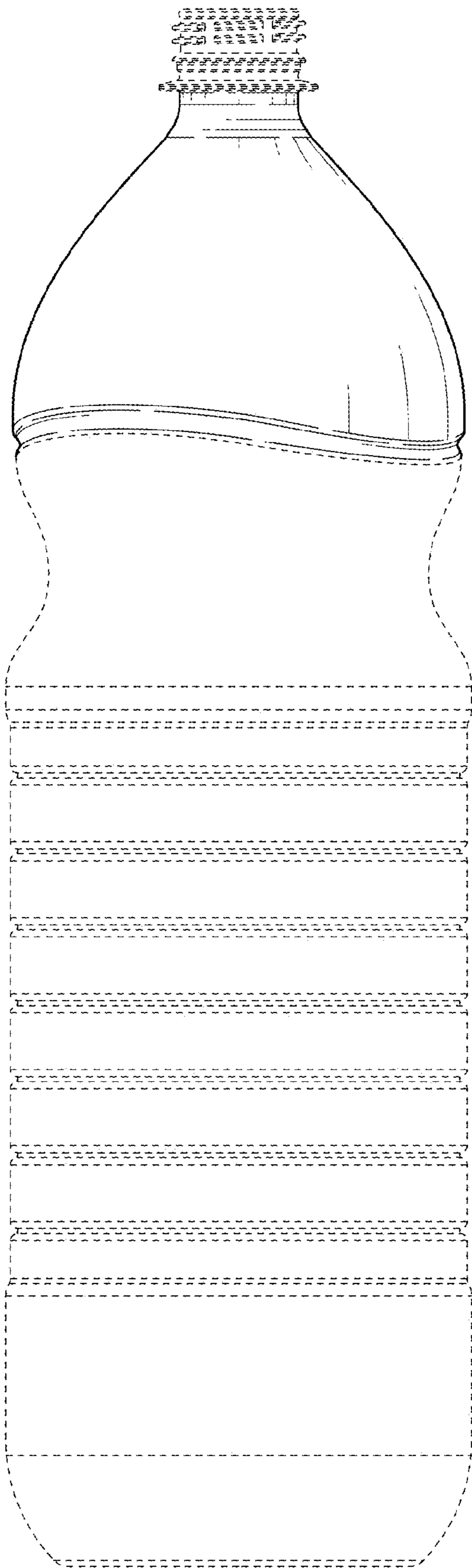


FIG. 5

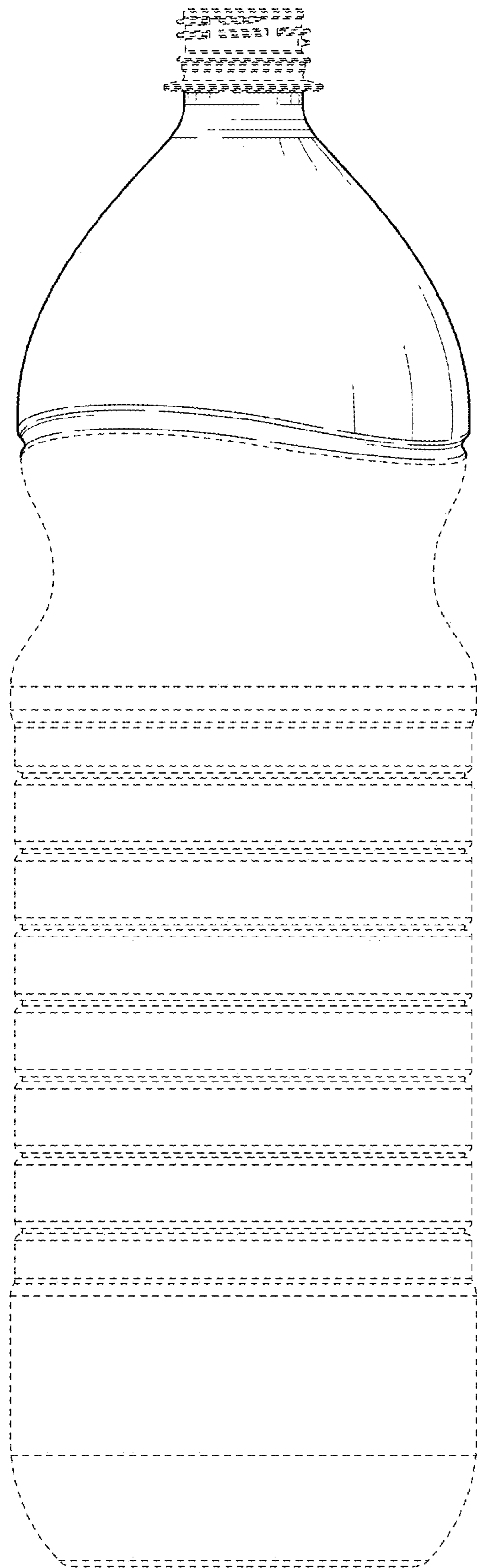


FIG. 6

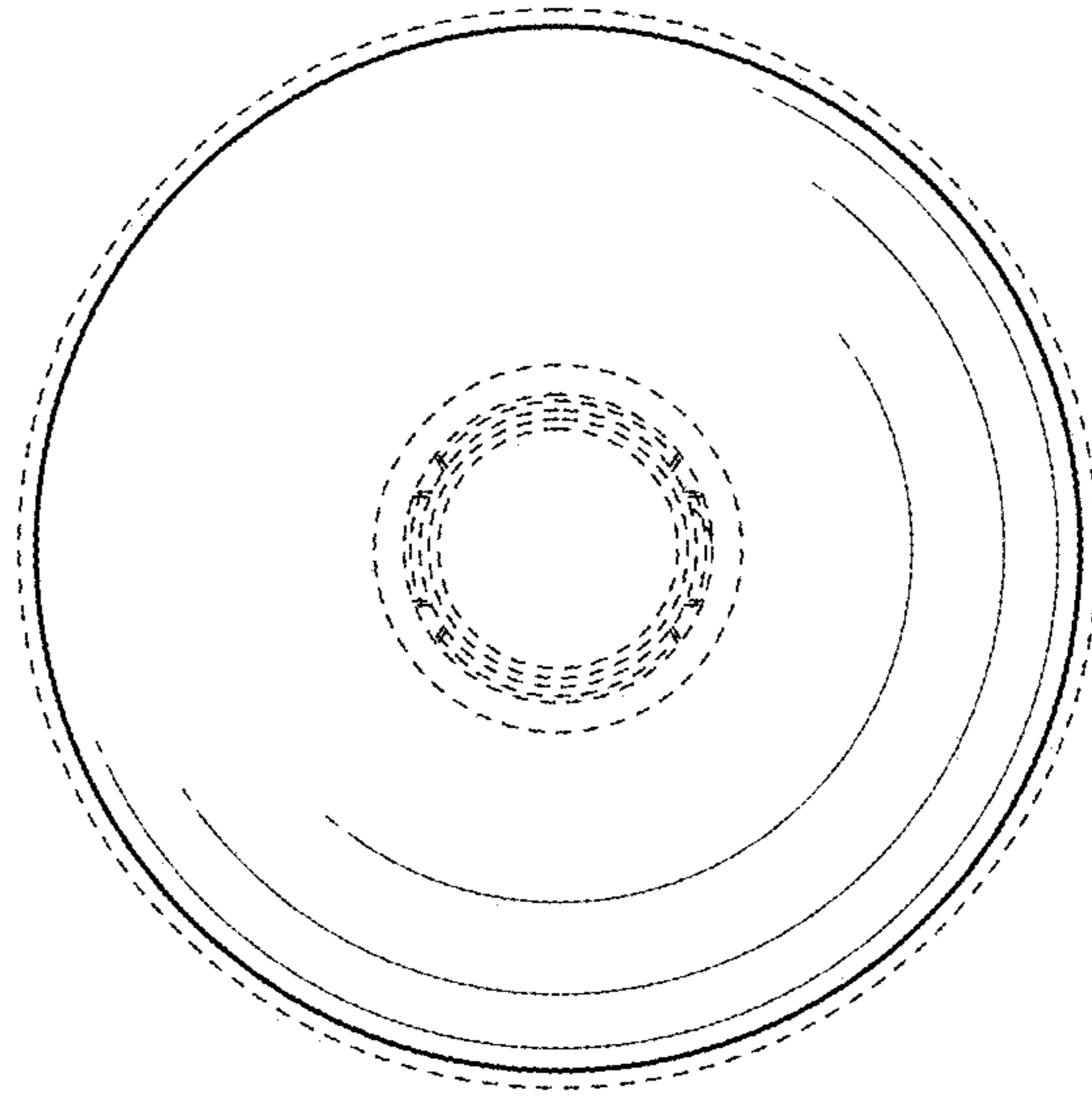


FIG. 7

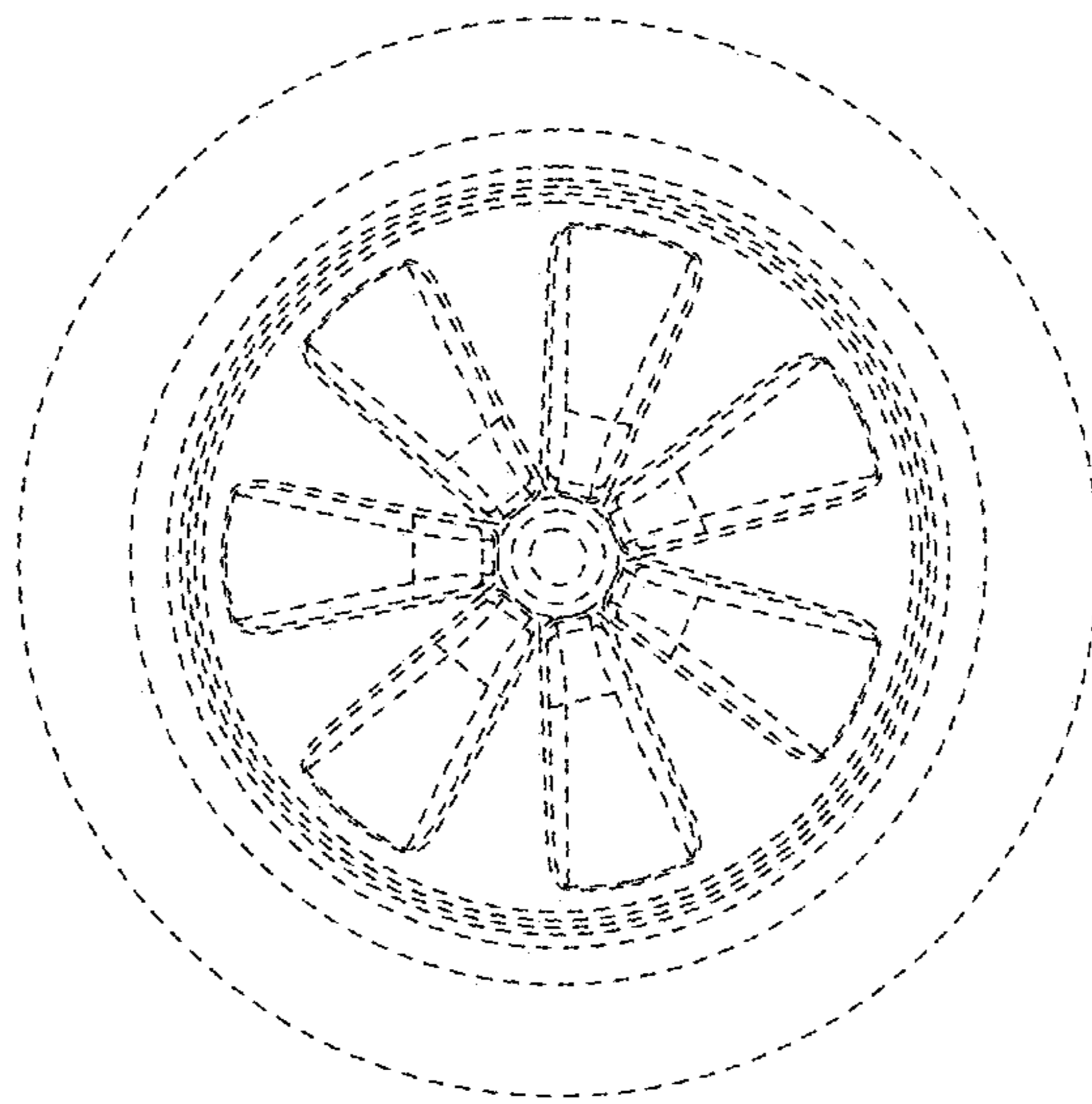


FIG. 8