



US00D924062S

(12) **United States Design Patent**
Thompson

(10) **Patent No.:** **US D924,062 S**

(45) **Date of Patent:** **** Jul. 6, 2021**

(54) **BOTTLE**

(71) Applicant: **Piramal Glass—USA, Inc.**, Dayton, NJ (US)

(72) Inventor: **Douglas Thompson**, Fort Lee, NJ (US)

(73) Assignee: **Piramal Glass—USA, Inc.**

(**) Term: **15 Years**

(21) Appl. No.: **29/719,562**

(22) Filed: **Jan. 6, 2020**

(51) **LOC (13) Cl.** **09-01**

(52) **U.S. Cl.**
USPC **D9/544; D9/575**

(58) **Field of Classification Search**
USPC D9/521, 531, 544–546, 549, 554, 557,
D9/558, 573–575, 556; D3/202
CPC .. B65D 1/0284; B65D 1/0223; B65D 1/0276;
B65D 2501/0081; B65D 2543/00092
See application file for complete search history.

(56) **References Cited**

U.S. PATENT DOCUMENTS

D94,101 S *	12/1934	Spence	D9/556
D94,251 S *	1/1935	Twiggs	D9/544
D96,107 S *	7/1935	Funkey	D9/544
D98,270 S *	1/1936	McIntosh	D9/544
D101,392 S *	9/1936	Oestreich	D9/556
D124,920 S *	1/1941	Heuisler, Jr.	D9/556
D146,351 S *	2/1947	Dunnock	D9/556
D164,964 S *	10/1951	Serra	D9/556
D241,517 S *	9/1976	Koenigsberg	D9/573
D307,710 S *	5/1990	Mittleman	D9/556
D367,011 S *	2/1996	Lilly	D9/556
D402,207 S	12/1998	Arazano		
D416,805 S	11/1999	Mikla		
D429,164 S	8/2000	Peek et al.		
D487,702 S *	3/2004	Sironi	D9/558
D503,620 S	4/2005	Taylor		

D509,748 S *	9/2005	Carmichael	D9/558
D539,659 S	4/2007	Cleary et al.		
D601,032 S *	9/2009	Rica	D9/544
D601,033 S *	9/2009	Rica	D9/544
D605,951 S *	12/2009	Ikeda	D9/544

(Continued)

FOREIGN PATENT DOCUMENTS

CN	3481531	*	10/2005
CN	3502088	*	2/2006

(Continued)

Primary Examiner — Brett Miller

Assistant Examiner — Rani J Abdallah

(74) *Attorney, Agent, or Firm* — The Belles Group, P.C.

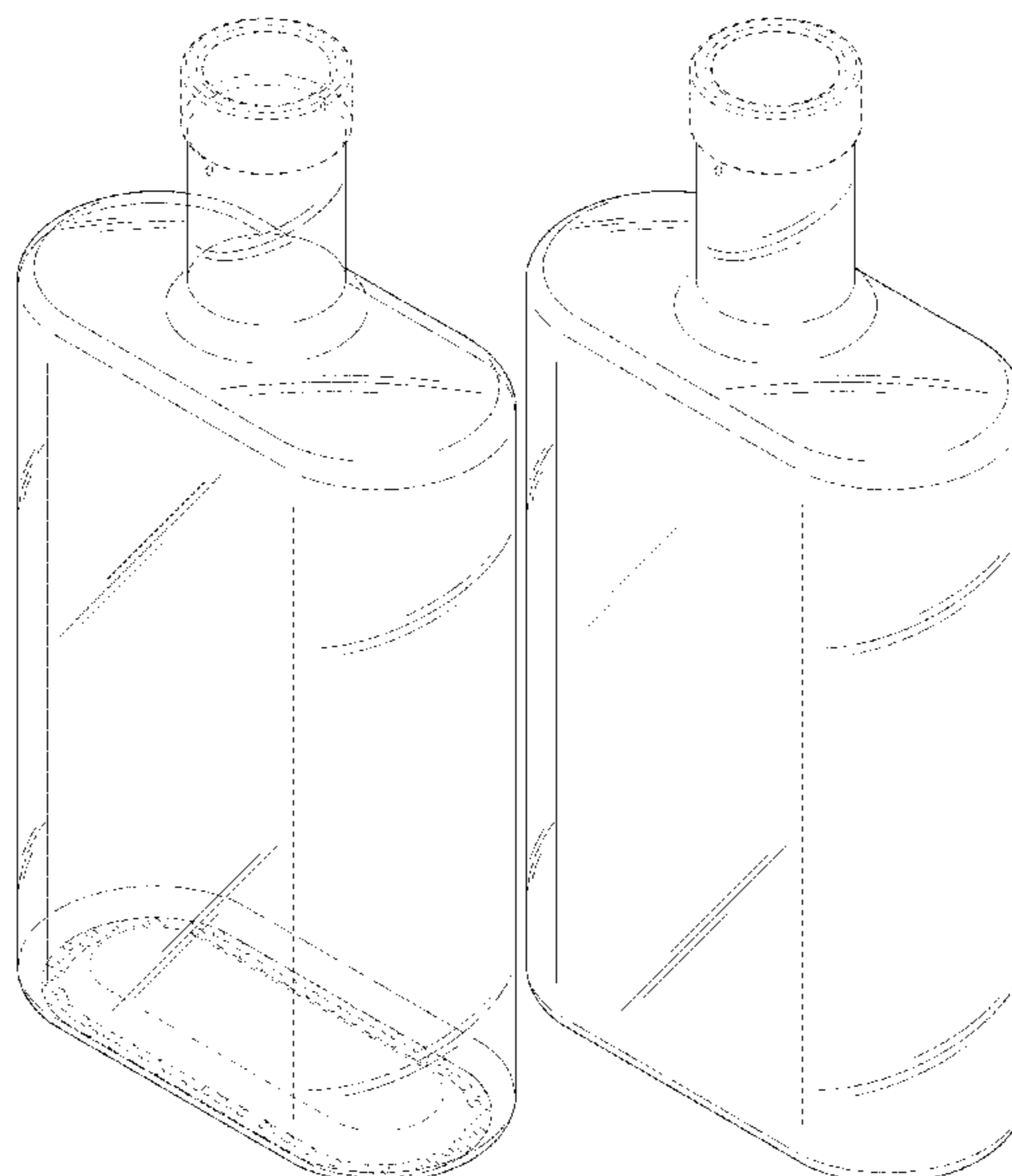
(57) **CLAIM**

The ornamental design for a bottle, as shown and described.

DESCRIPTION

FIG. 1 is a front perspective view of a bottle according to a first embodiment of the new design;
 FIG. 2 is a front view thereof, the rear view being identical to the front view;
 FIG. 3 is a right side view thereof, the left side view being identical to the right side view;
 FIG. 4 is a top view thereof;
 FIG. 5 is a bottom view thereof;
 FIG. 6 is a front perspective view of a bottle according to a second embodiment of the new design;
 FIG. 7 is a front view thereof, the rear view being identical to the front view;
 FIG. 8 is a right side view thereof, the left side view being identical to the right side view;
 FIG. 9 is a top view thereof; and,
 FIG. 10 is a bottom view thereof.
 The broken lines illustrate portions of the bottle that form no part of the claimed design.

1 Claim, 8 Drawing Sheets



(56)

References Cited

U.S. PATENT DOCUMENTS

D630,100 S * 1/2011 Wanet D9/544
 D632,178 S * 2/2011 Liu D9/558
 D656,404 S 3/2012 Thompson
 D693,227 S * 11/2013 Gonzalez Rodriguez D9/544
 D697,416 S 1/2014 Thompson
 D697,812 S * 1/2014 Lin D9/545
 D698,245 S 1/2014 Thompson
 D698,256 S 1/2014 Thompson
 D701,768 S * 4/2014 Baker D9/544
 D716,659 S 11/2014 Thompson
 D720,233 S 12/2014 Thompson
 D726,010 S 4/2015 Savkar et al.
 D783,405 S 4/2017 Thompson
 D784,147 S 4/2017 Thompson
 D790,968 S 7/2017 Thompson
 D792,231 S * 7/2017 Thompson D9/544
 D795,076 S * 8/2017 Andran D9/546
 D796,962 S * 9/2017 Gonzalez Rodriguez D9/544
 D802,431 S * 11/2017 Thompson D9/574
 D802,434 S 11/2017 Thompson
 D805,908 S 12/2017 Thompson
 D807,757 S * 1/2018 Feletto D9/558

D808,272 S 1/2018 Thompson et al.
 D811,231 S 2/2018 Thompson
 D813,048 S * 3/2018 Hamel D9/575
 D813,049 S * 3/2018 Richmond D9/558
 D815,541 S * 4/2018 Harris D9/574
 D815,946 S 4/2018 Thompson et al.
 D817,768 S * 5/2018 Yen D9/575
 D821,211 S 6/2018 Thompson
 D830,186 S 10/2018 Thompson
 D832,713 S * 11/2018 Mann D9/575
 D849,549 S * 5/2019 Stark D9/574
 D867,144 S * 11/2019 Urbanek D9/544
 D908,433 S * 1/2021 Sapire D9/556
 D910,447 S * 2/2021 Feletto D9/545
 D911,181 S * 2/2021 Lee D9/549
 D911,850 S * 3/2021 Lee D9/549

FOREIGN PATENT DOCUMENTS

CN 3505913 * 2/2006
 CN 301478275 * 3/2011
 CN 303245839 * 6/2015
 CN 303689334 * 6/2016
 CN 304252415 * 9/2017

* cited by examiner

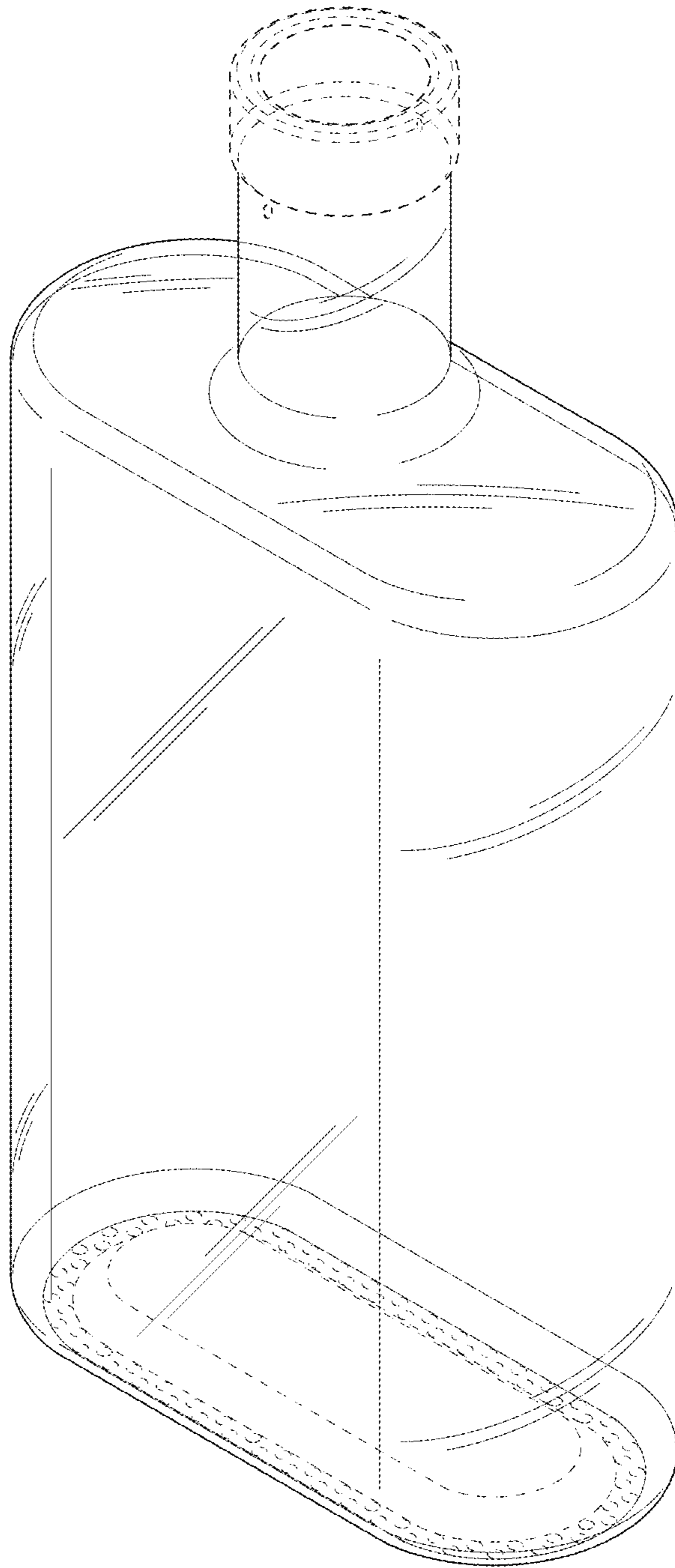


FIG. 1

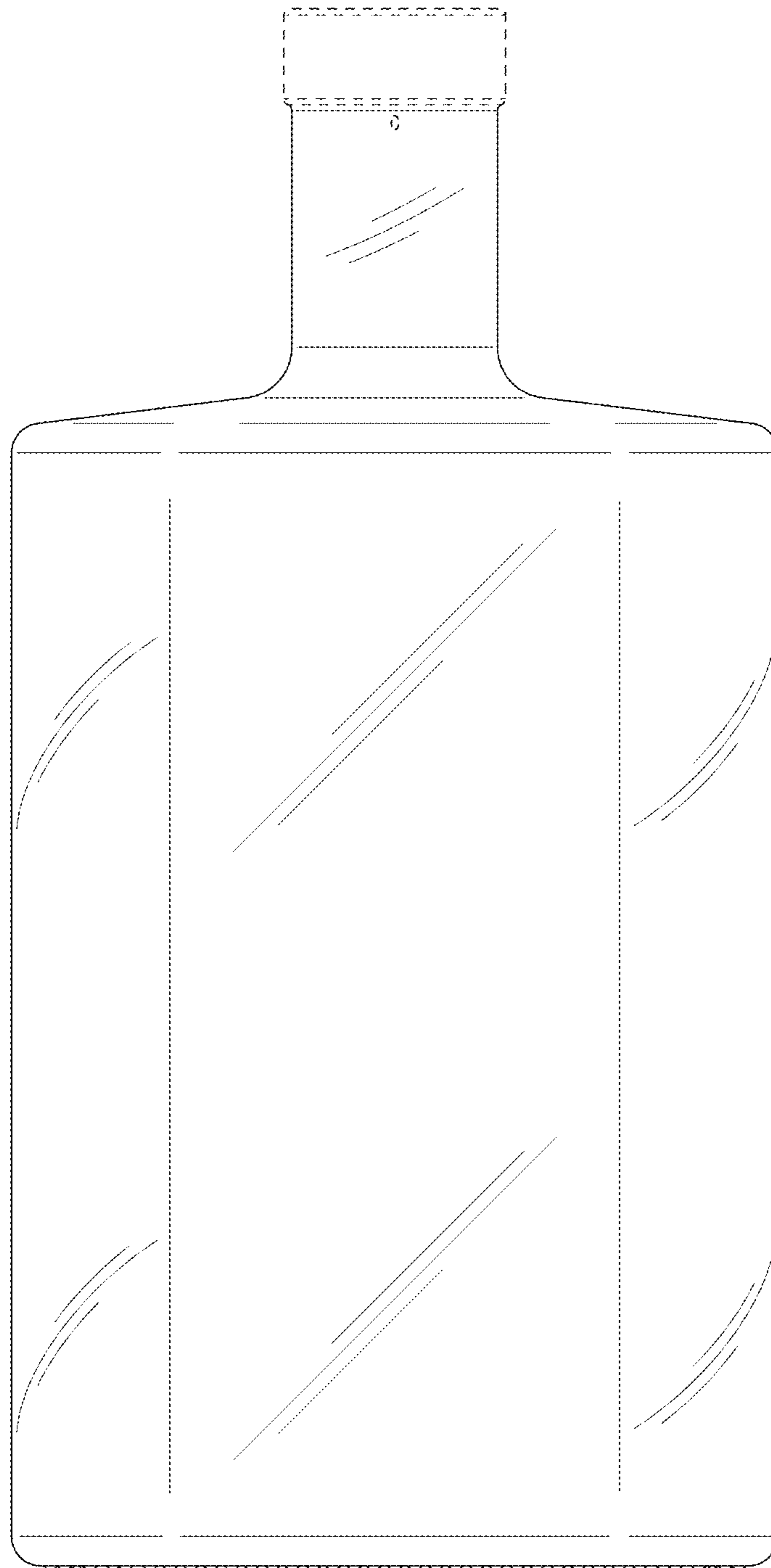


FIG. 2

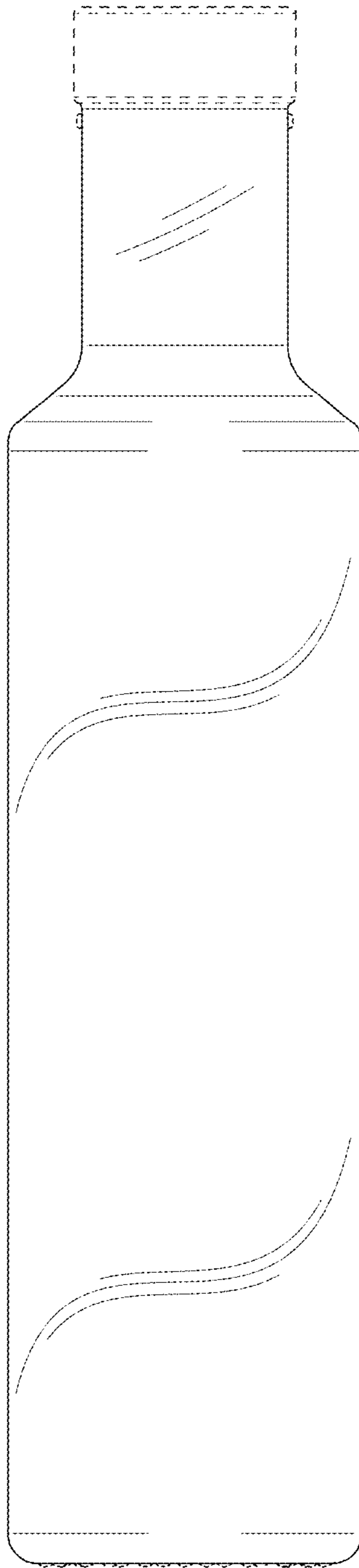


FIG. 3

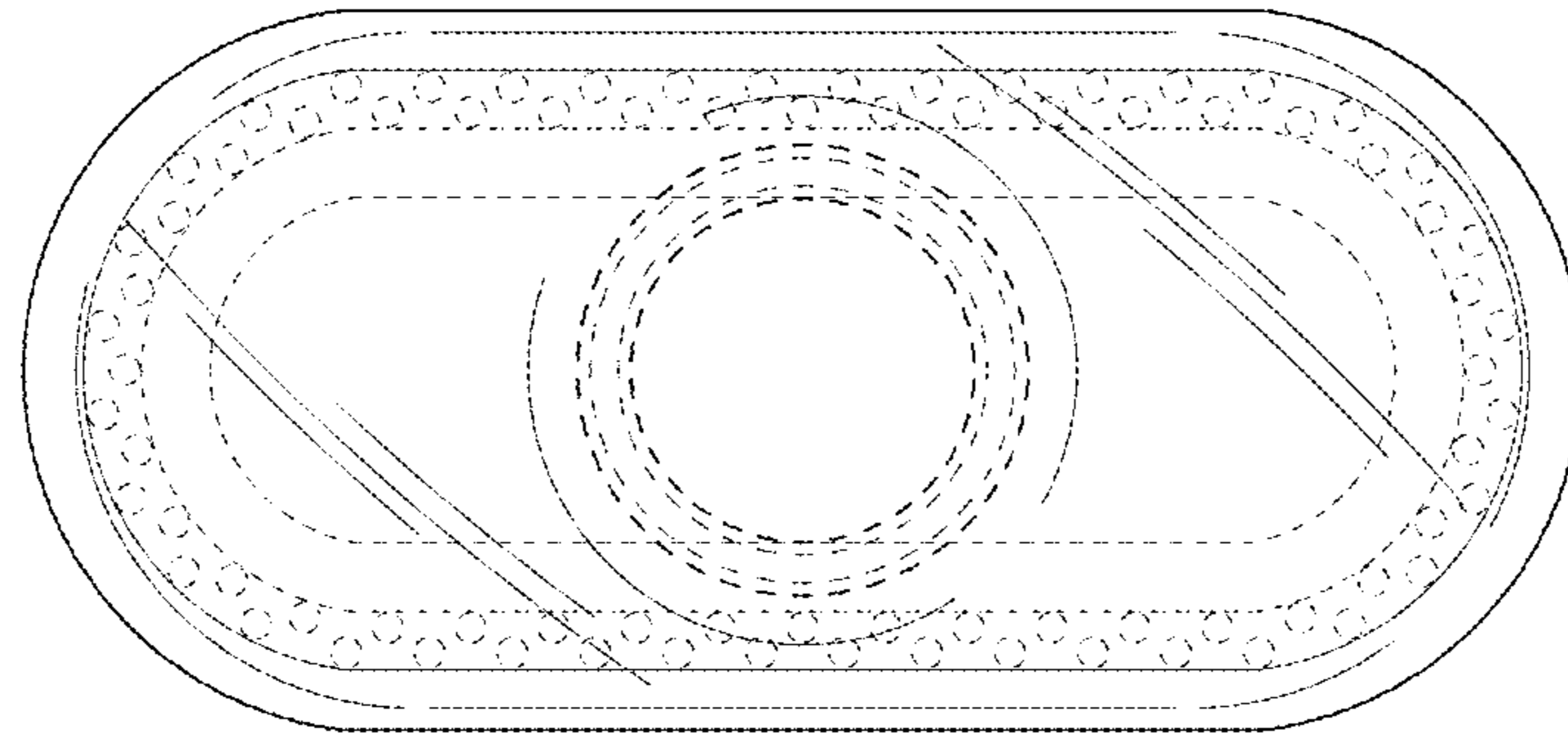


FIG. 4

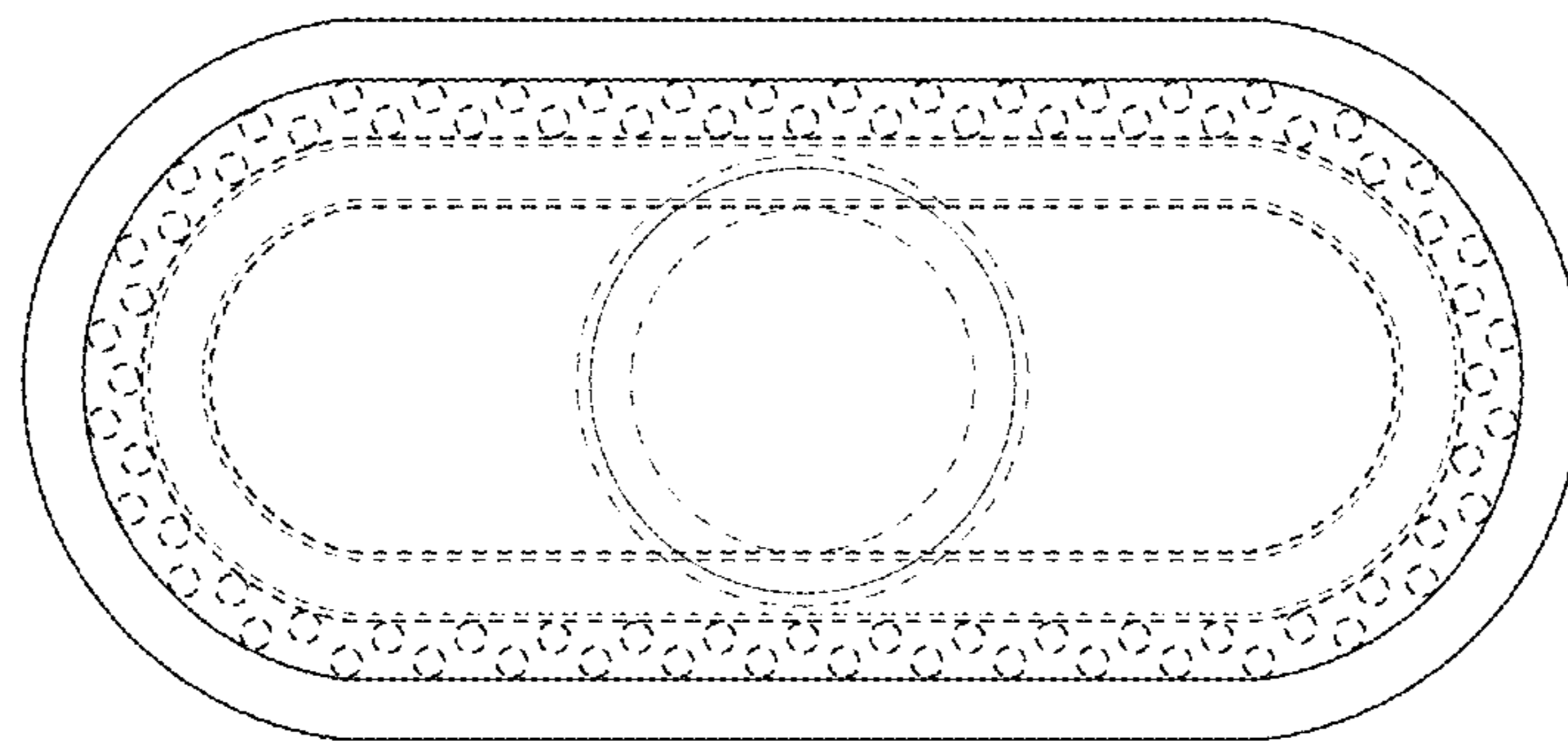


FIG. 5

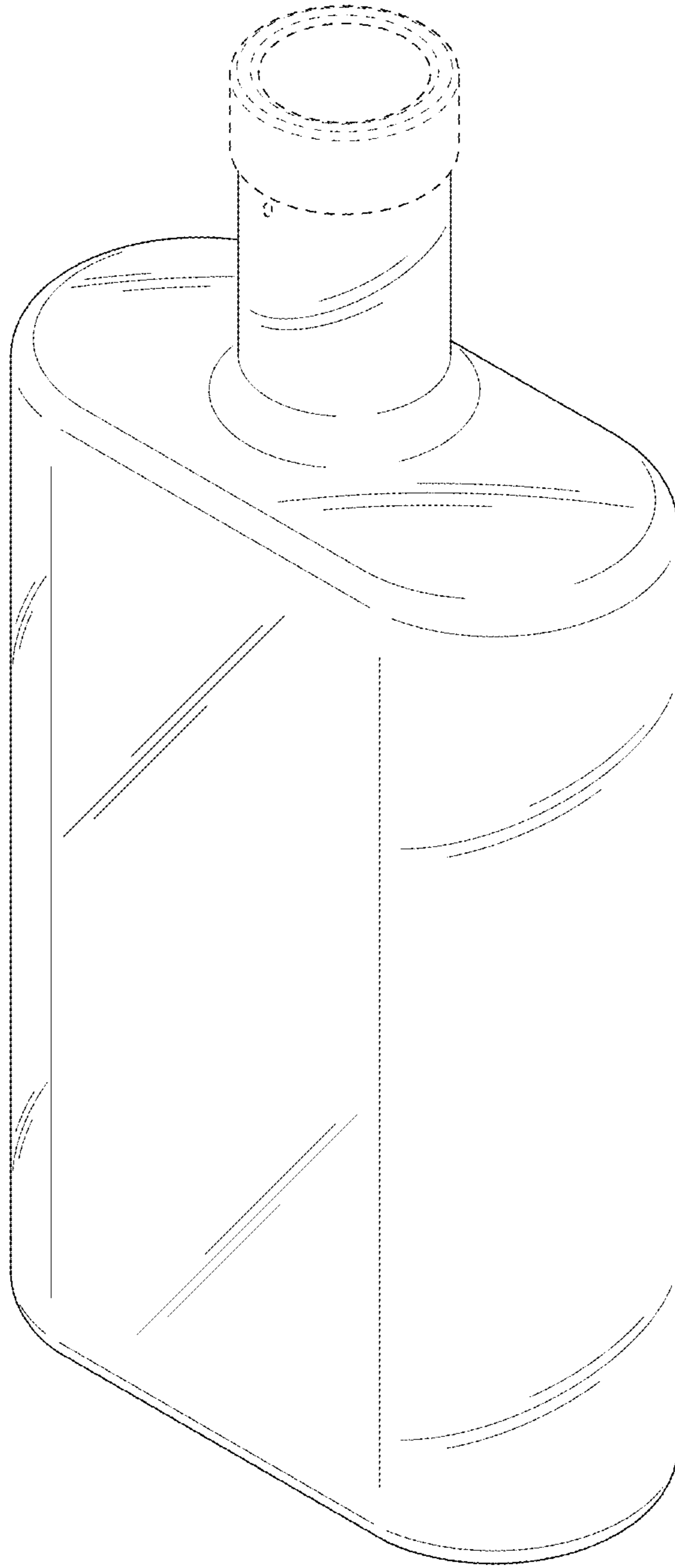


FIG. 6

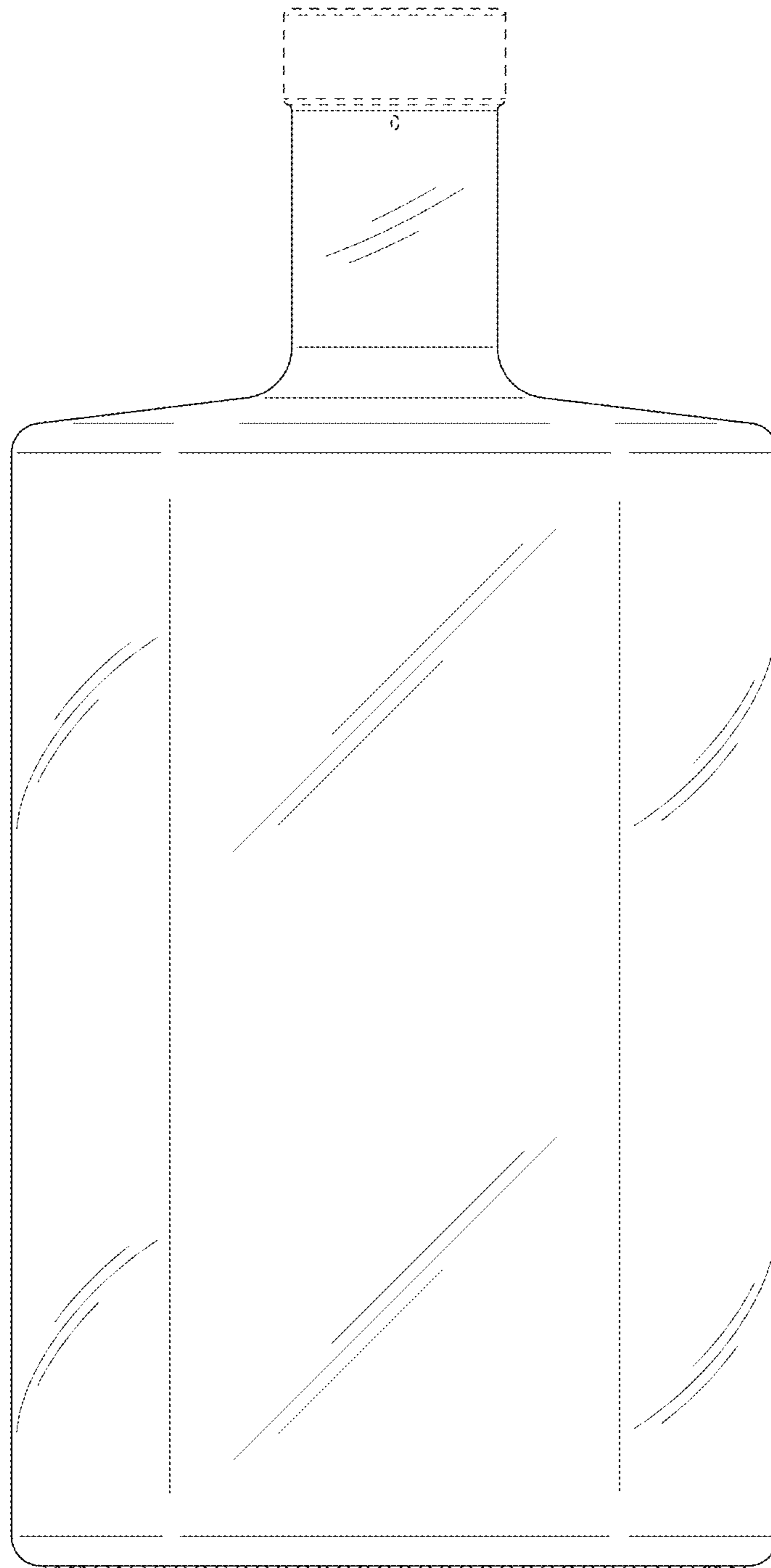


FIG. 7

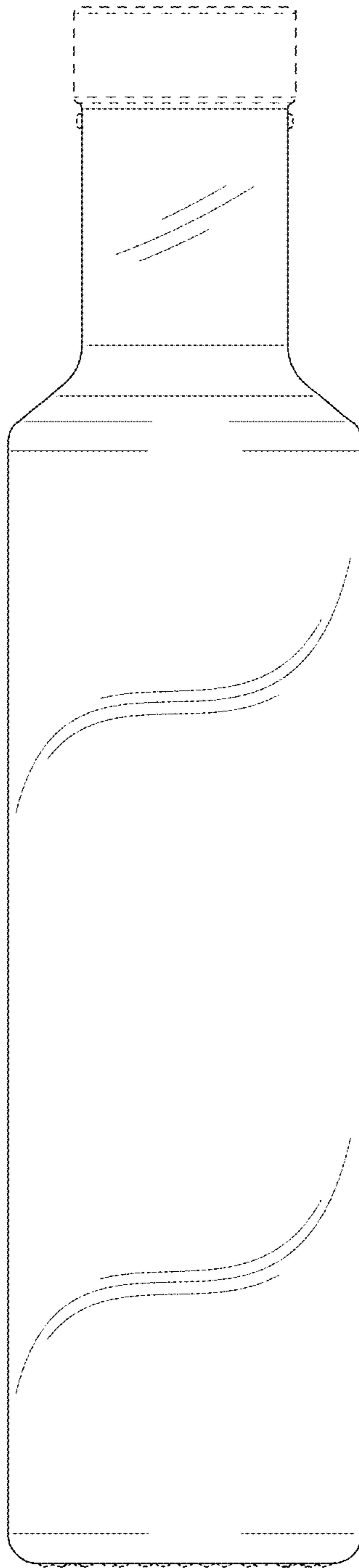


FIG. 8

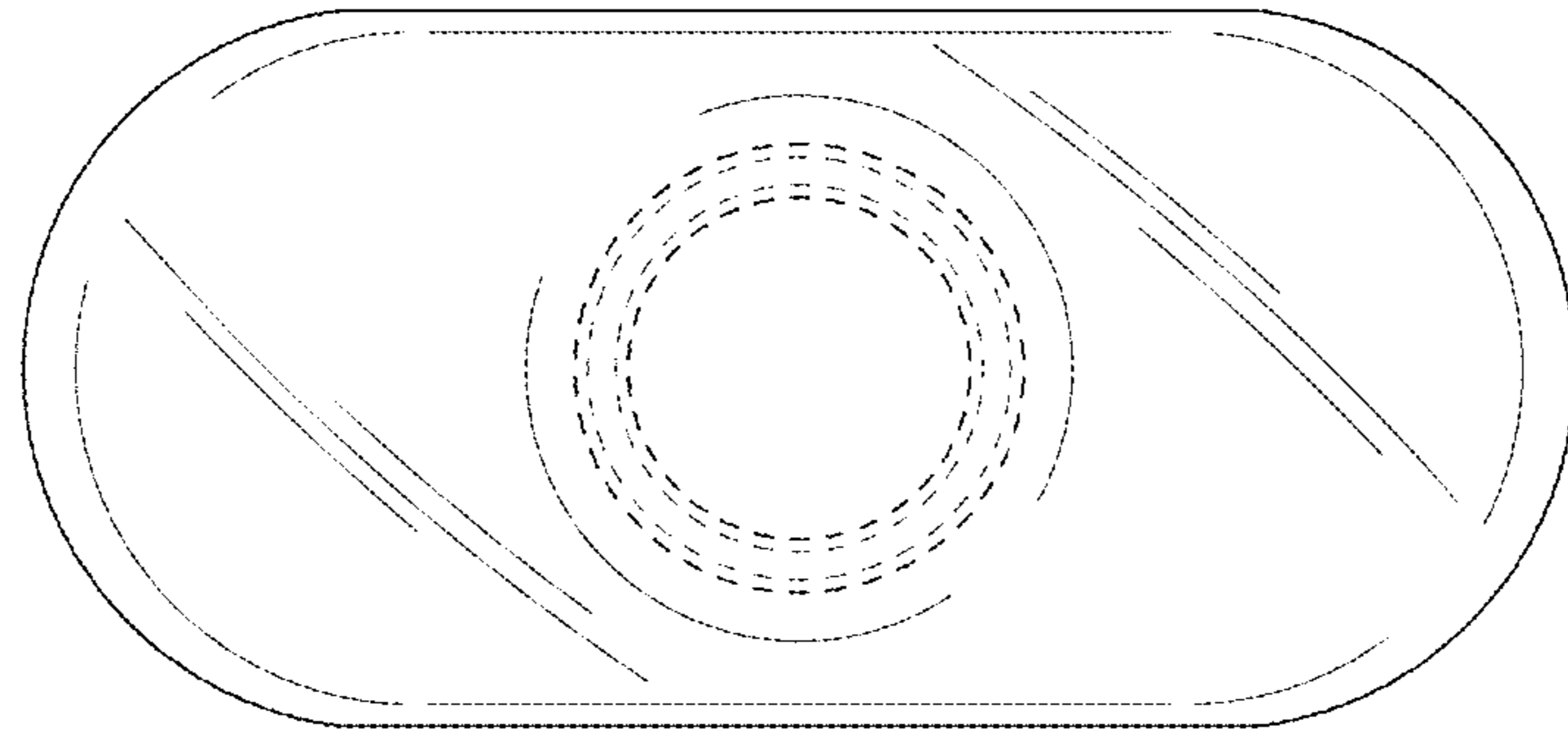


FIG. 9

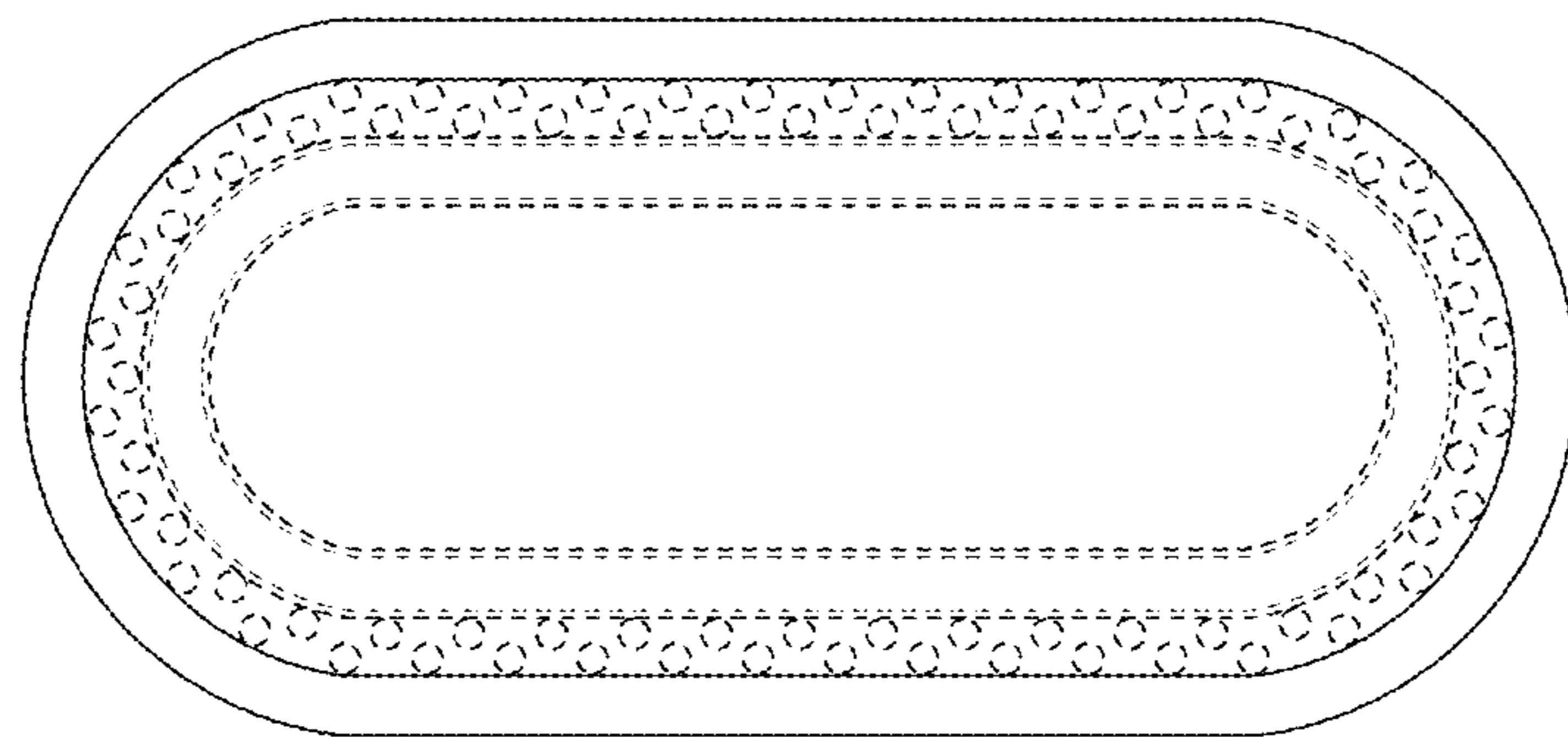


FIG. 10