



US00D924061S

(12) **United States Design Patent**  
**Murphy et al.**

(10) **Patent No.:** **US D924,061 S**

(45) **Date of Patent:** **\*\* Jul. 6, 2021**

- (54) **BOTTLE**
- (71) Applicant: **TricorBraun Inc.**, St. Louis, MO (US)
- (72) Inventors: **Michael D. Murphy**, Evergreen Park, IL (US); **Jeffrey C. Bersch**, Palatine, IL (US)
- (73) Assignee: **TricorBraun Inc.**, St. Louis, MO (US)
- (\*\*) Term: **15 Years**
- (21) Appl. No.: **29/680,708**
- (22) Filed: **Feb. 19, 2019**
- (51) **LOC (13) Cl.** ..... **09-01**
- (52) **U.S. Cl.**  
USPC ..... **D9/524**; D9/523; D9/574
- (58) **Field of Classification Search**  
USPC ..... D9/521, 523, 524, 530, 533, 536, 543, D9/574; D15/90  
CPC ..... B41J 2/17509; B41J 2/17503; B41J 2/17596; B65D 1/0223; B65D 21/0202  
See application file for complete search history.

- D438,119 S \* 2/2001 Meyer ..... D9/523
- D443,825 S \* 6/2001 Goettner ..... D9/530
- D449,778 S \* 10/2001 Legoupil ..... D9/523
- D471,584 S \* 3/2003 Sugata ..... B41J 2/17509  
D9/523
- D520,366 S \* 5/2006 Fannesbeck ..... D9/524
- D554,510 S \* 11/2007 Dorn ..... D9/524
- D597,846 S \* 8/2009 Brady ..... D9/574
- D604,628 S \* 11/2009 Schultz ..... D9/574
- D606,413 S \* 12/2009 Dammkoehler ..... D9/543
- D609,102 S \* 2/2010 Matlin ..... D9/530
- D646,974 S \* 10/2011 Latour ..... D9/523
- D678,070 S \* 3/2013 Meeks ..... D9/521
- D711,438 S \* 8/2014 Garg ..... D15/90
- D711,439 S \* 8/2014 Garg ..... D15/90
- D711,945 S \* 8/2014 Garg ..... D15/90
- D712,442 S \* 9/2014 Garg ..... D15/90
- D769,721 S \* 10/2016 Zahr ..... D9/523
- D779,331 S \* 2/2017 Robson ..... D9/523

(Continued)

*Primary Examiner* — Brett Miller  
*Assistant Examiner* — Rani J Abdallah  
 (74) *Attorney, Agent, or Firm* — Husch Blackwell, LLP

(57) **CLAIM**

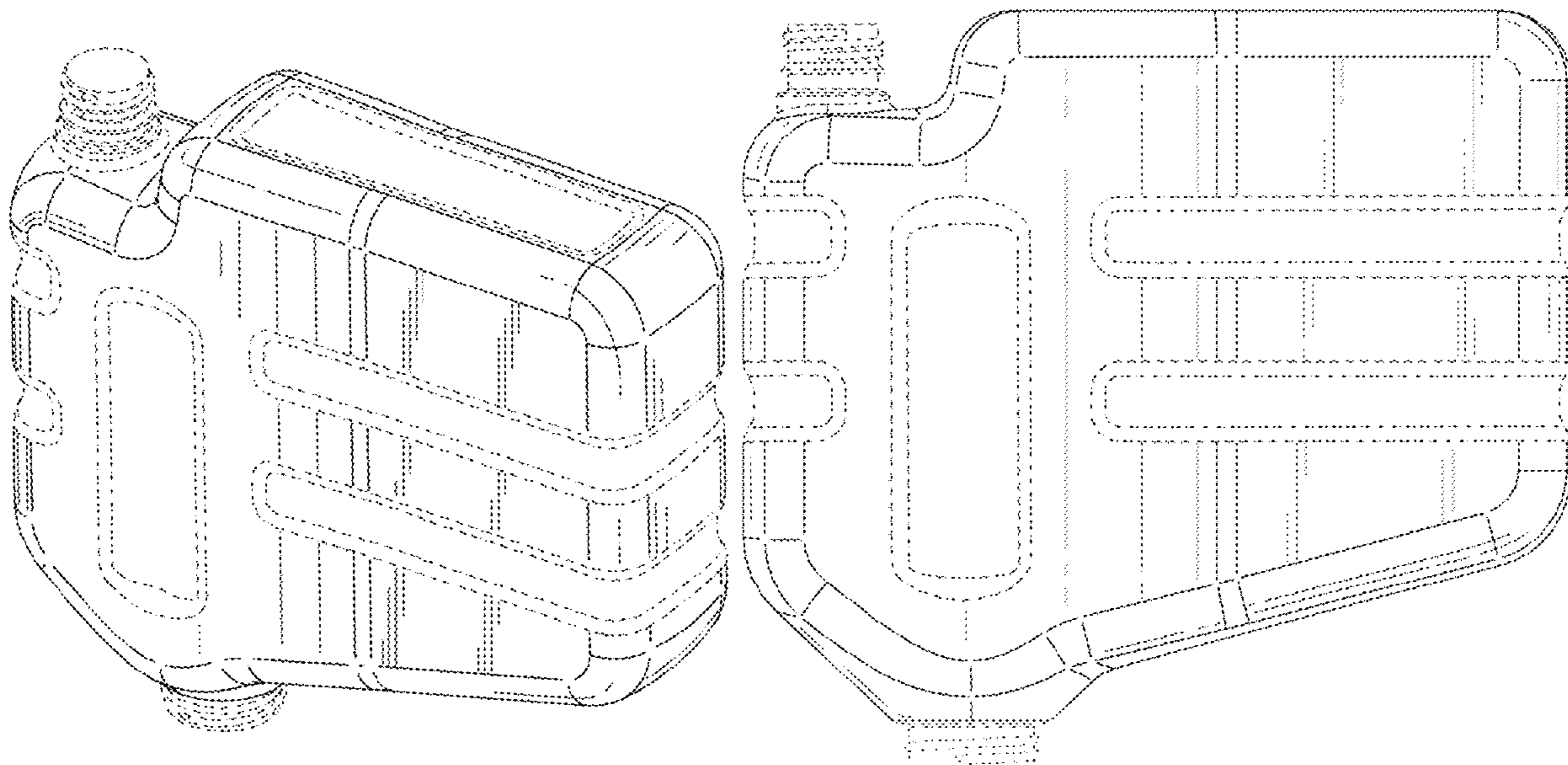
We claim the ornamental design for a bottle, as shown and described.

**DESCRIPTION**

FIG. 1 is a perspective view of a bottle showing the new design;  
 FIG. 2 is a left view thereof, the right side being a mirror image thereof;  
 FIG. 3 is a front view thereof;  
 FIG. 4 is rear view thereof;  
 FIG. 5 is a top view thereof; and,  
 FIG. 6 is a bottom view thereof.  
 The broken lines shown in the drawing views are included for the purpose of showing environmental structure that forms no part of the claimed design.

**1 Claim, 4 Drawing Sheets**

- (56) **References Cited**  
U.S. PATENT DOCUMENTS
- D247,158 S \* 2/1978 Evangelista ..... D9/523
- D269,948 S \* 8/1983 Janssen ..... D9/543
- D282,244 S \* 1/1986 Santoiemmo ..... D9/543
- D296,668 S \* 7/1988 Stavish ..... D9/523
- D303,355 S \* 9/1989 Fick ..... D9/521
- D322,383 S \* 12/1991 Jones ..... D15/90
- D325,871 S \* 5/1992 Hestehave ..... D9/524
- D338,406 S \* 8/1993 Bennebroek ..... D9/523
- D342,140 S \* 12/1993 Sakagami ..... D9/523
- D342,176 S \* 12/1993 Steiner ..... D9/523
- D356,504 S \* 3/1995 Saltz ..... D9/523
- D376,208 S \* 12/1996 Rasmussen ..... D9/523
- D422,919 S \* 4/2000 Scriven ..... D9/523
- D427,062 S \* 6/2000 Alvarez ..... D9/523



(56)

**References Cited**

U.S. PATENT DOCUMENTS

D804,543	S	*	12/2017	Carvajal	.....	D15/90
D847,221	S	*	4/2019	Coulombe	.....	D15/90
D848,022	S	*	5/2019	Park	.....	D9/523
D852,044	S	*	6/2019	Robson	.....	D9/523
D852,045	S	*	6/2019	Robson	.....	D9/523
D867,888	S	*	11/2019	Essenburg	.....	D9/521
D875,967	S	*	2/2020	Park	.....	D9/523
D876,961	S	*	3/2020	Fletcher	.....	D9/524
D907,506	S	*	1/2021	Xoy	.....	D9/574
D908,010	S	*	1/2021	Demarest	.....	D9/574

\* cited by examiner

FIG. 1

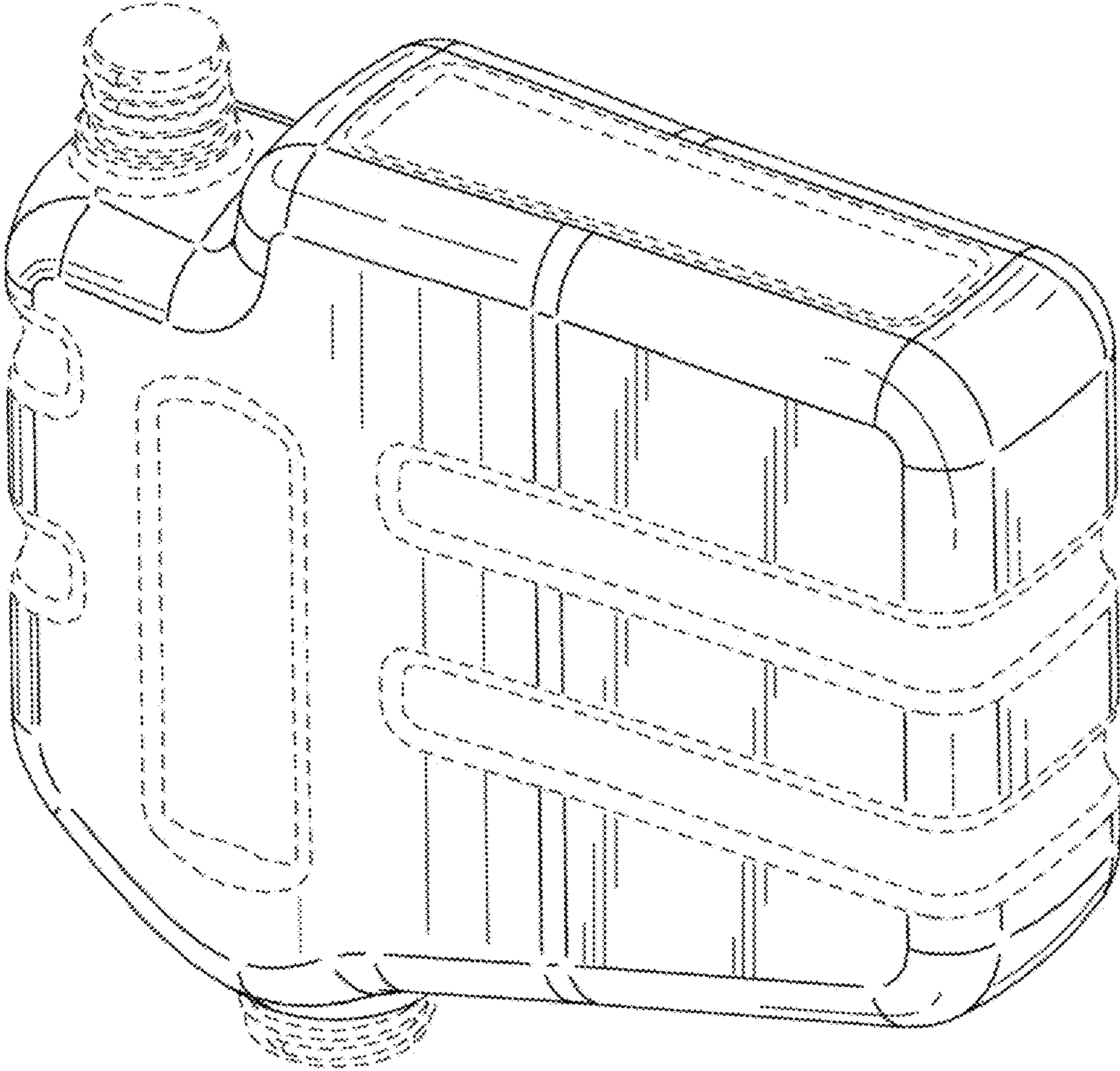
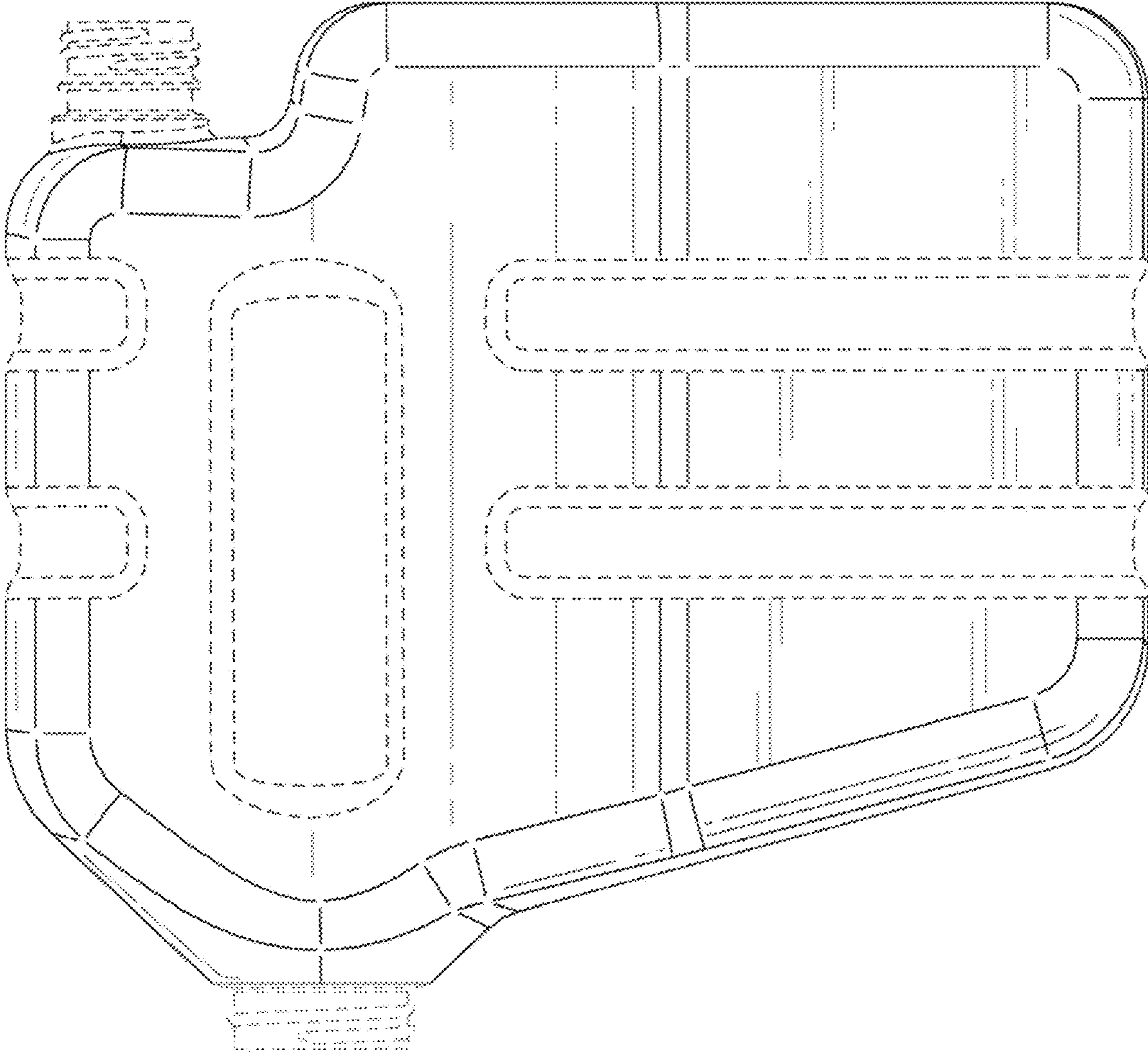
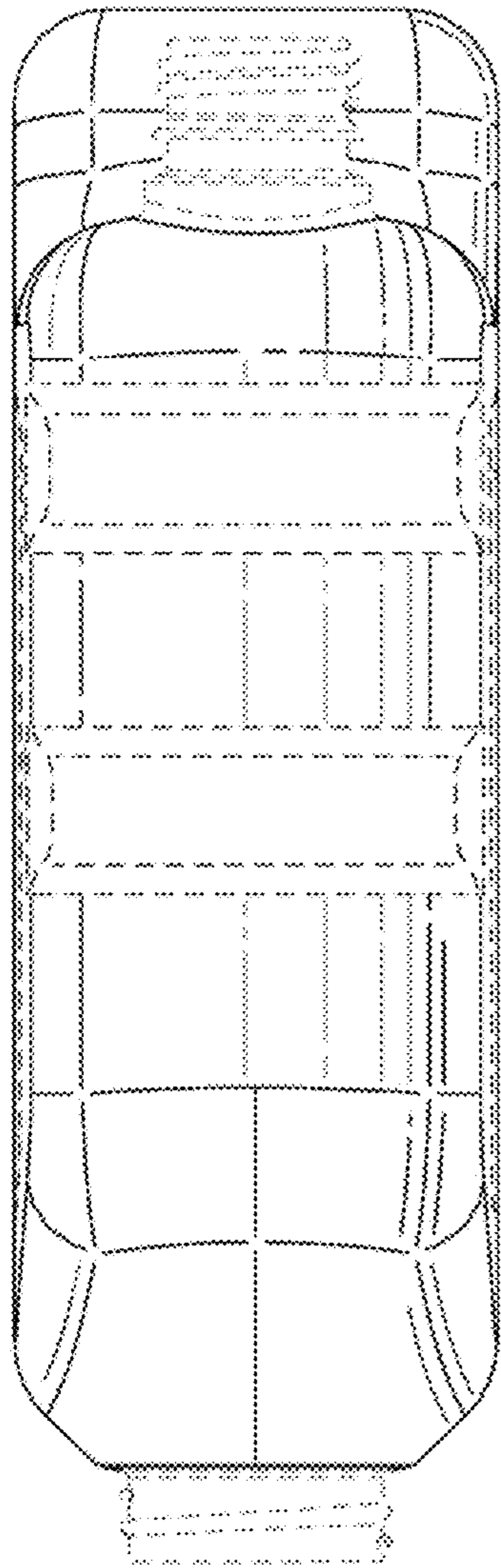


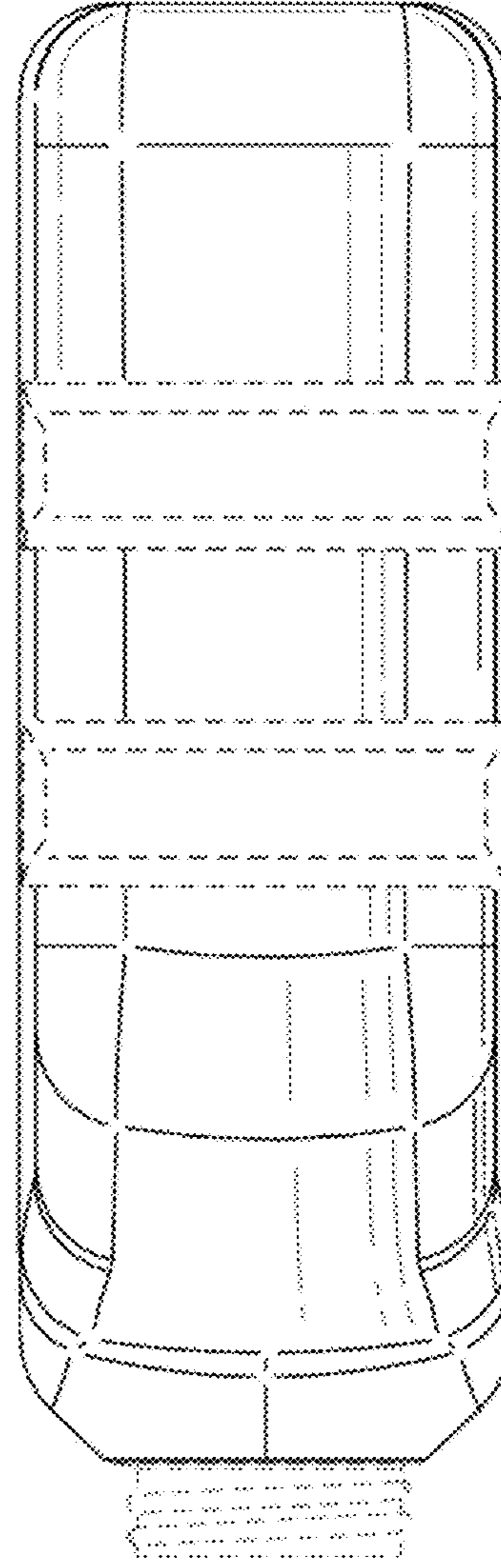
FIG. 2



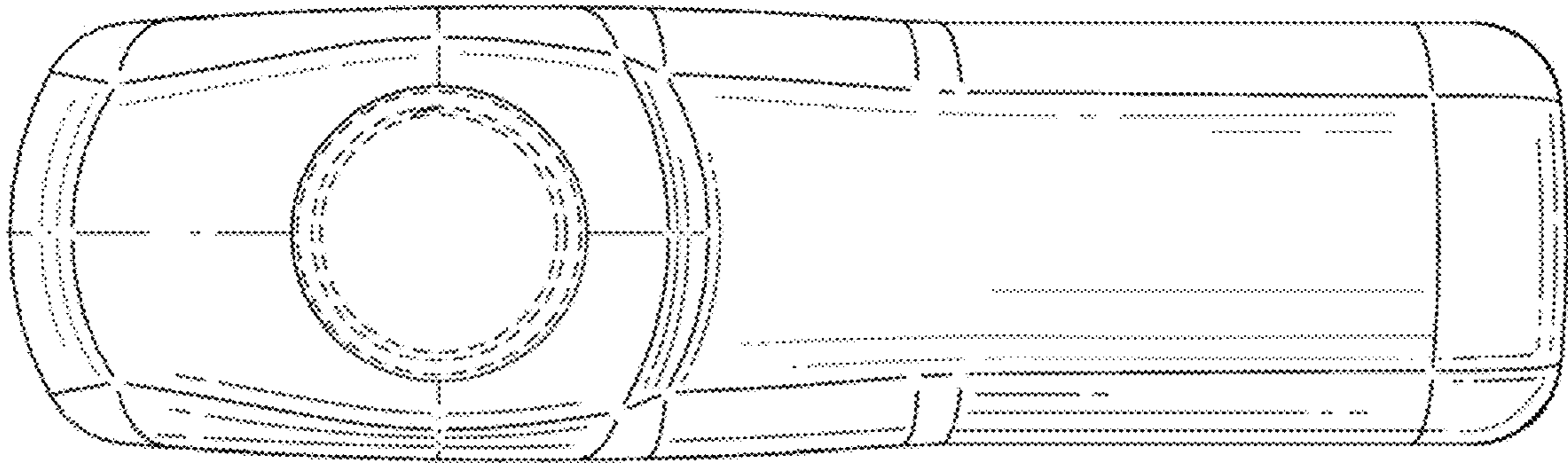
**FIG. 3**



**FIG. 4**



**FIG. 5**



**FIG. 6**

