



US00D924052S

(12) **United States Design Patent** (10) **Patent No.:** **US D924,052 S**
Hong (45) **Date of Patent:** **** Jul. 6, 2021**

(54) **CONTAINER**

(71) Applicant: **Young Gene Hong**, Jersey City, NJ
(US)

(72) Inventor: **Young Gene Hong**, Jersey City, NJ
(US)

(**) Term: **15 Years**

(21) Appl. No.: **29/724,038**

(22) Filed: **Feb. 12, 2020**

(51) **LOC (13) Cl.** **09-03**

(52) **U.S. Cl.**
USPC **D9/425**

(58) **Field of Classification Search**
USPC D7/400, 601, 608; D9/416, 417, 420,
D9/425-429, 430, 432, 737, 761
CPC ... B65D 1/00; B65D 1/26; B65D 1/34; B65D
1/40; B65D 11/00; B65D 11/20; B65D
21/00; B65D 21/02; B65D 21/0209;
B65D 21/0233; B65D 81/34; B65D
81/3446; B65D 81/3453; B65D 2581/34;
B65D 2581/3404; B65D 2581/3409
See application file for complete search history.

(56) **References Cited**

U.S. PATENT DOCUMENTS

4,195,746	A *	4/1980	Cottrell	B65D 1/34 206/545
D475,620	S *	6/2003	Chen	D9/425
6,923,338	B2 *	8/2005	Dees	B65D 11/188 220/4.24
8,561,823	B1 *	10/2013	Krupa	B65D 21/0234 220/4.21
8,967,416	B2 *	3/2015	Furlong	B65D 51/16 220/380
D795,057	S *	8/2017	Segal	D9/425

D852,039	S *	6/2019	Troudt	D9/425
2006/0157483	A1 *	7/2006	Evans	B65D 21/0234 220/4.22
2010/0276419	A1 *	11/2010	Gartz	B65D 1/34 220/4.23

OTHER PUBLICATIONS

RP & Associates, "Grub Tub—Greatest Invention Since Mankind Discovered Fire—Custom Branded Products—RP & Associates", <http://rpandassociates.com/grub-tub/grub-tub-all-shapes> (accessed on May 26, 2020).

* cited by examiner

Primary Examiner — Janice Patyk
(74) *Attorney, Agent, or Firm* — MG Miller Intellectual Property Law LLC

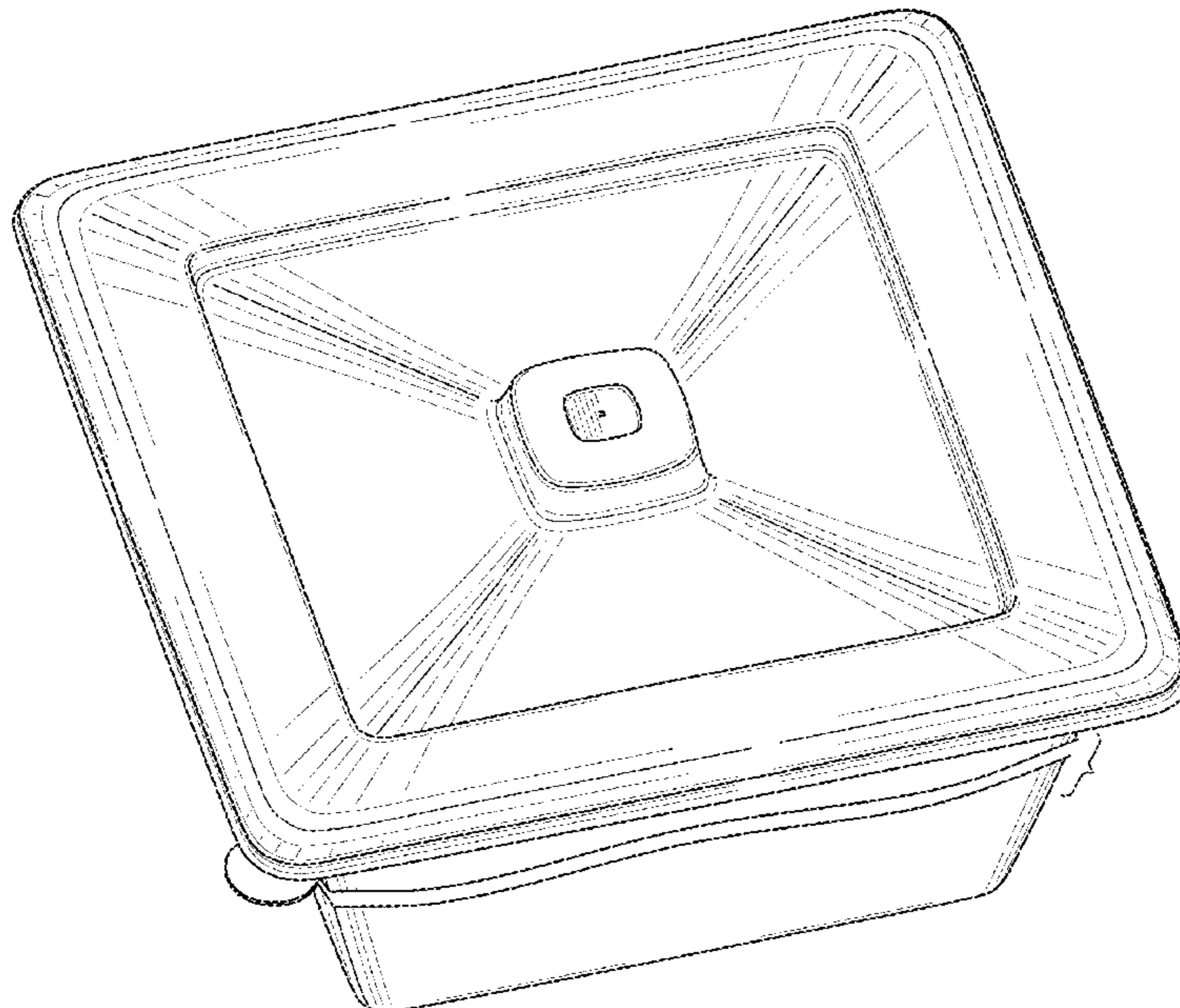
(57) **CLAIM**

The ornamental design for a container, as shown and described.

DESCRIPTION

FIG. 1 is a top perspective view of a container, showing my new design;
FIG. 2 is a bottom perspective view thereof;
FIG. 3 is a top view thereof;
FIG. 4 is a bottom view thereof;
FIG. 5 is a left side view thereof;
FIG. 6 is a right side view thereof; and,
FIG. 7 is a cross-sectional view thereof, taken along line 7-7 of FIG. 4.
The container has been shown with symbolic breaks. The appearance of any portion of the article between the break lines forms no part of the claimed design.

1 Claim, 6 Drawing Sheets



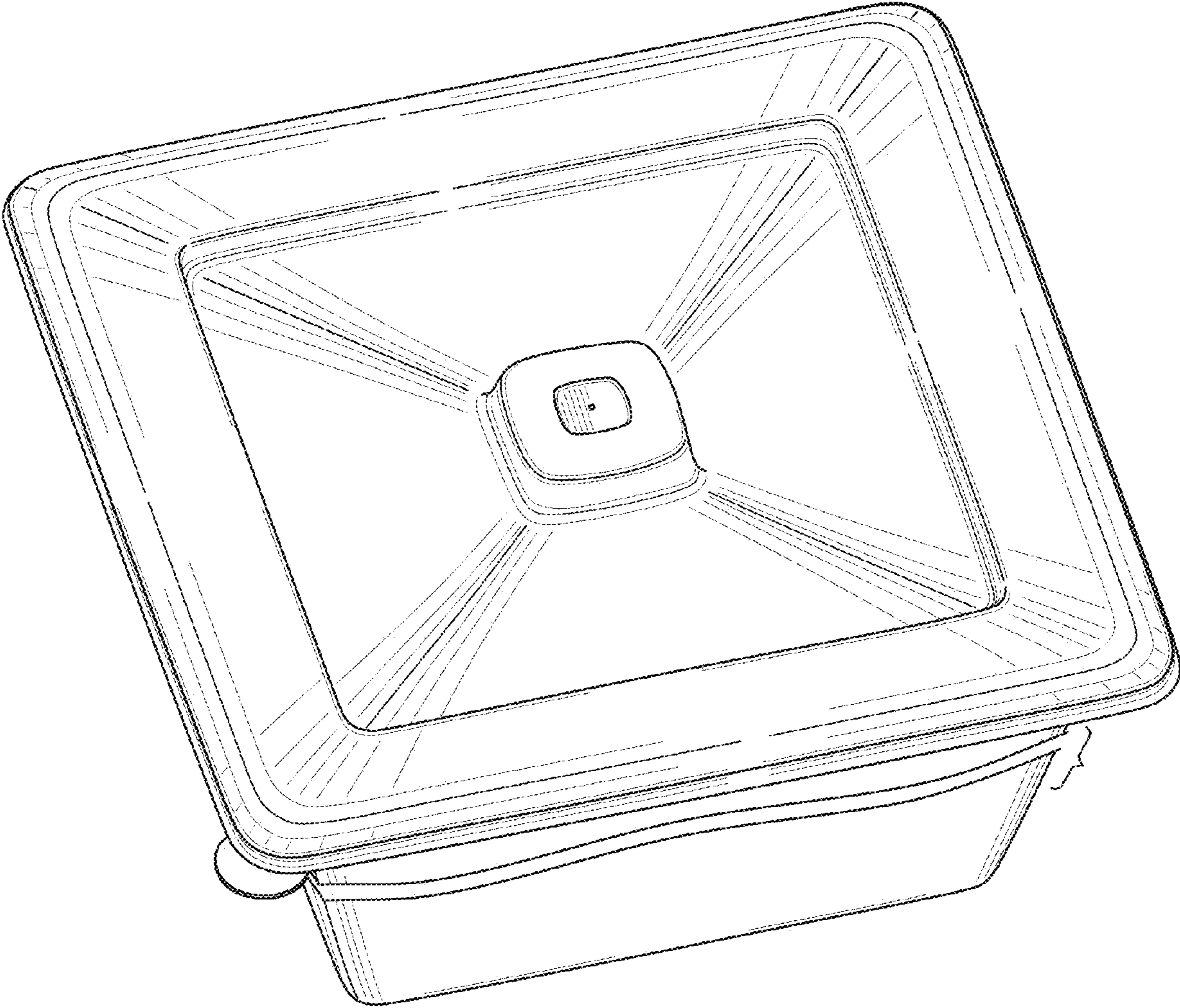


FIG. 1

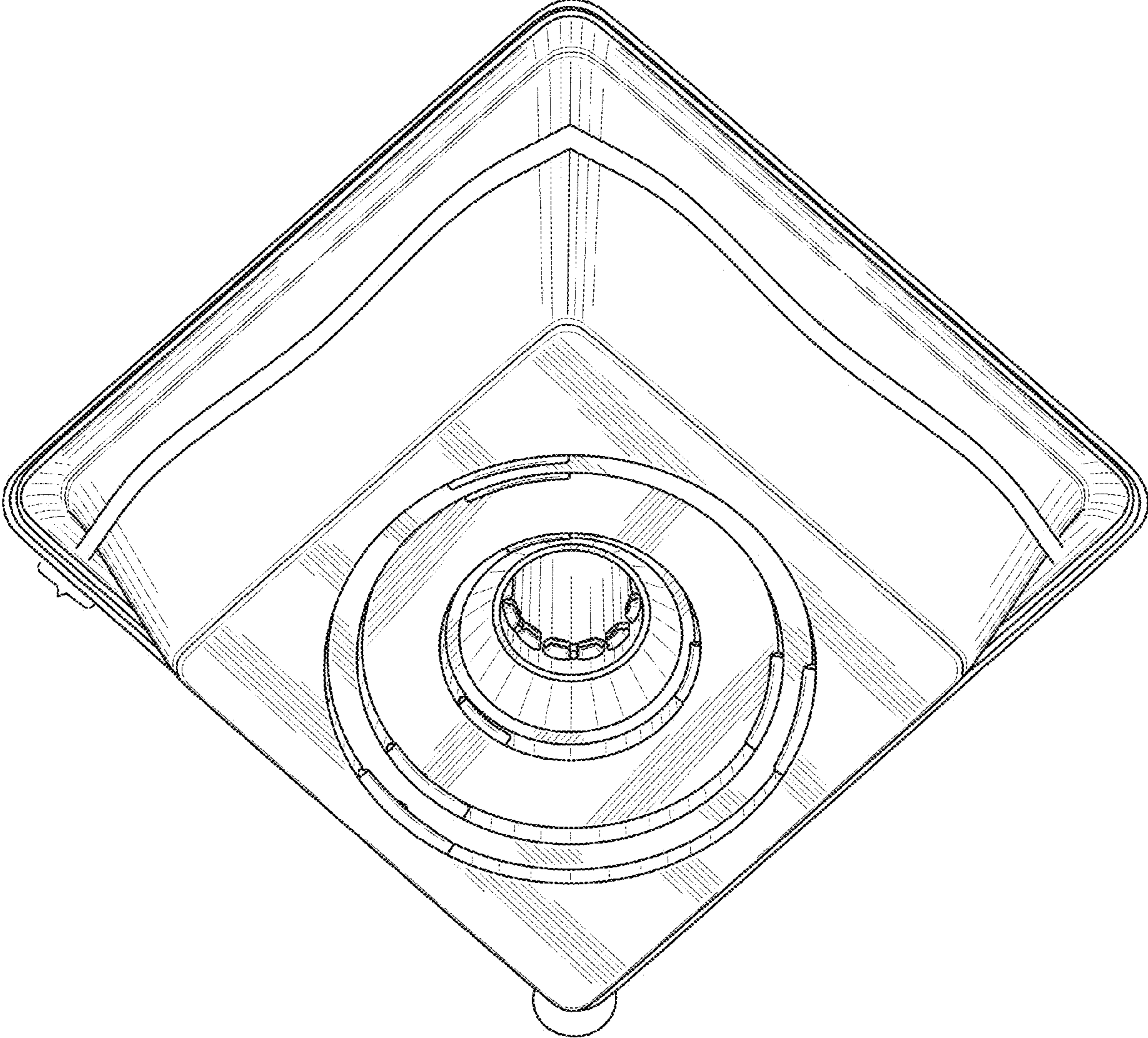


FIG. 2

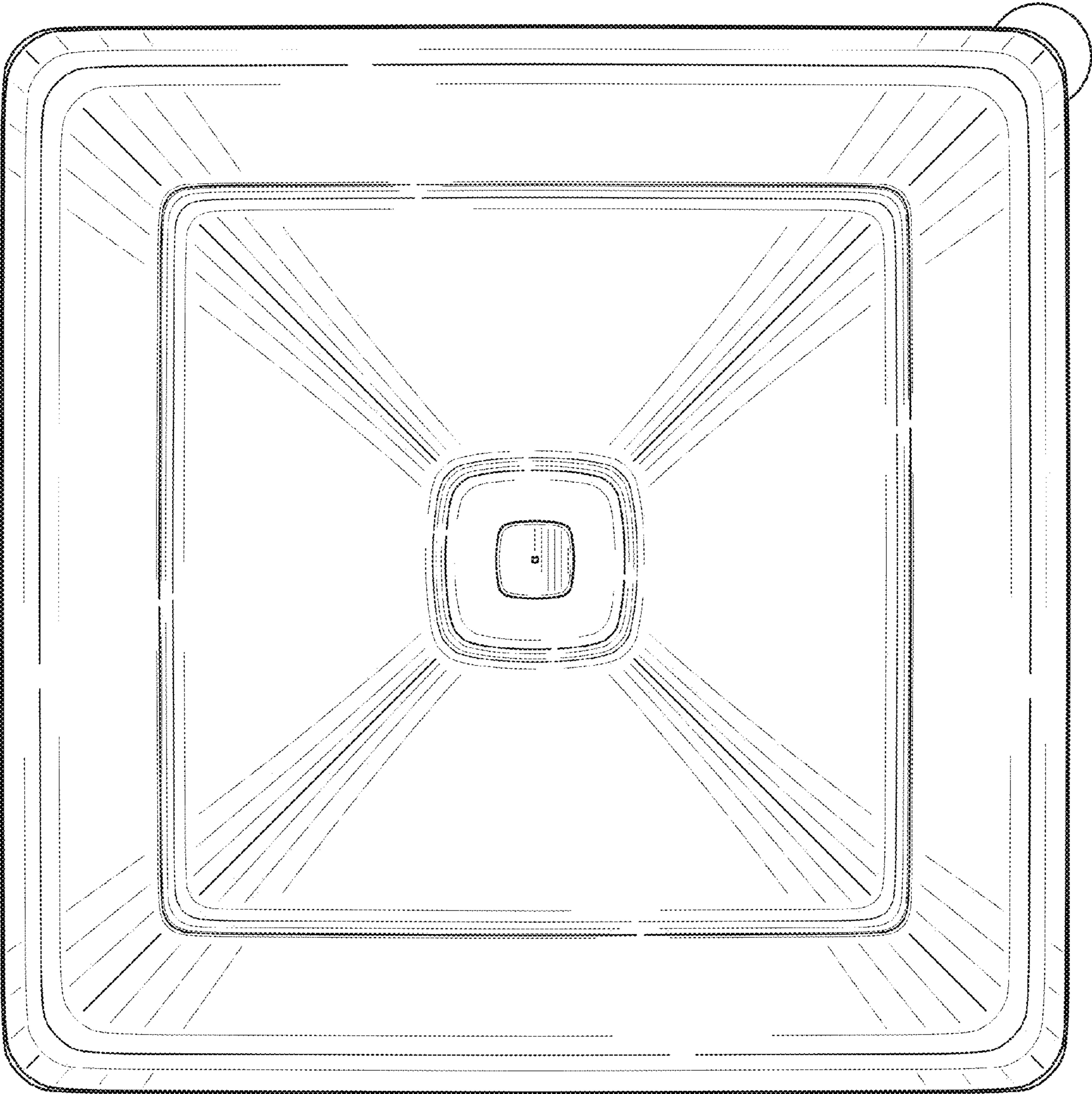


FIG. 3

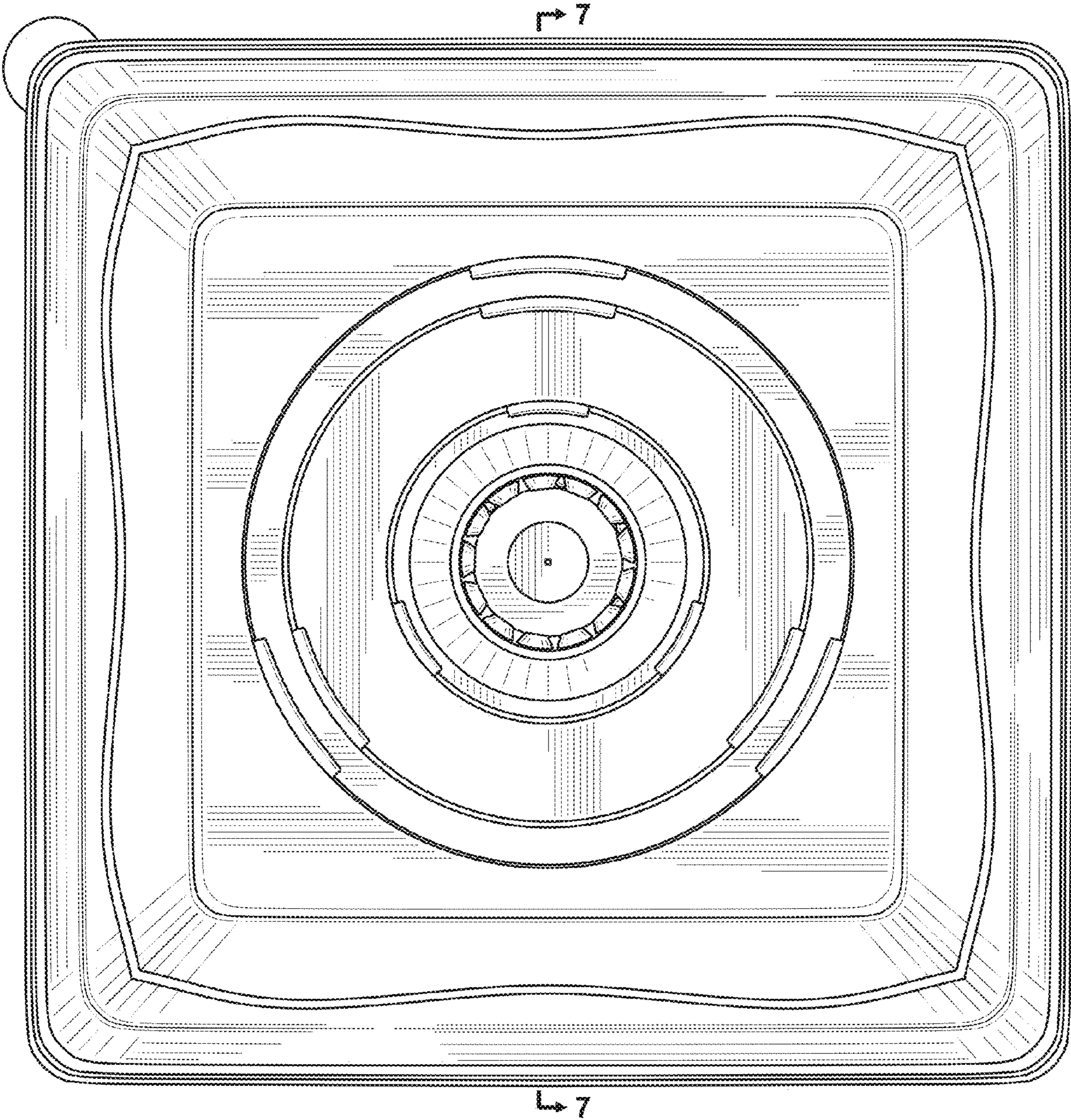


FIG. 4

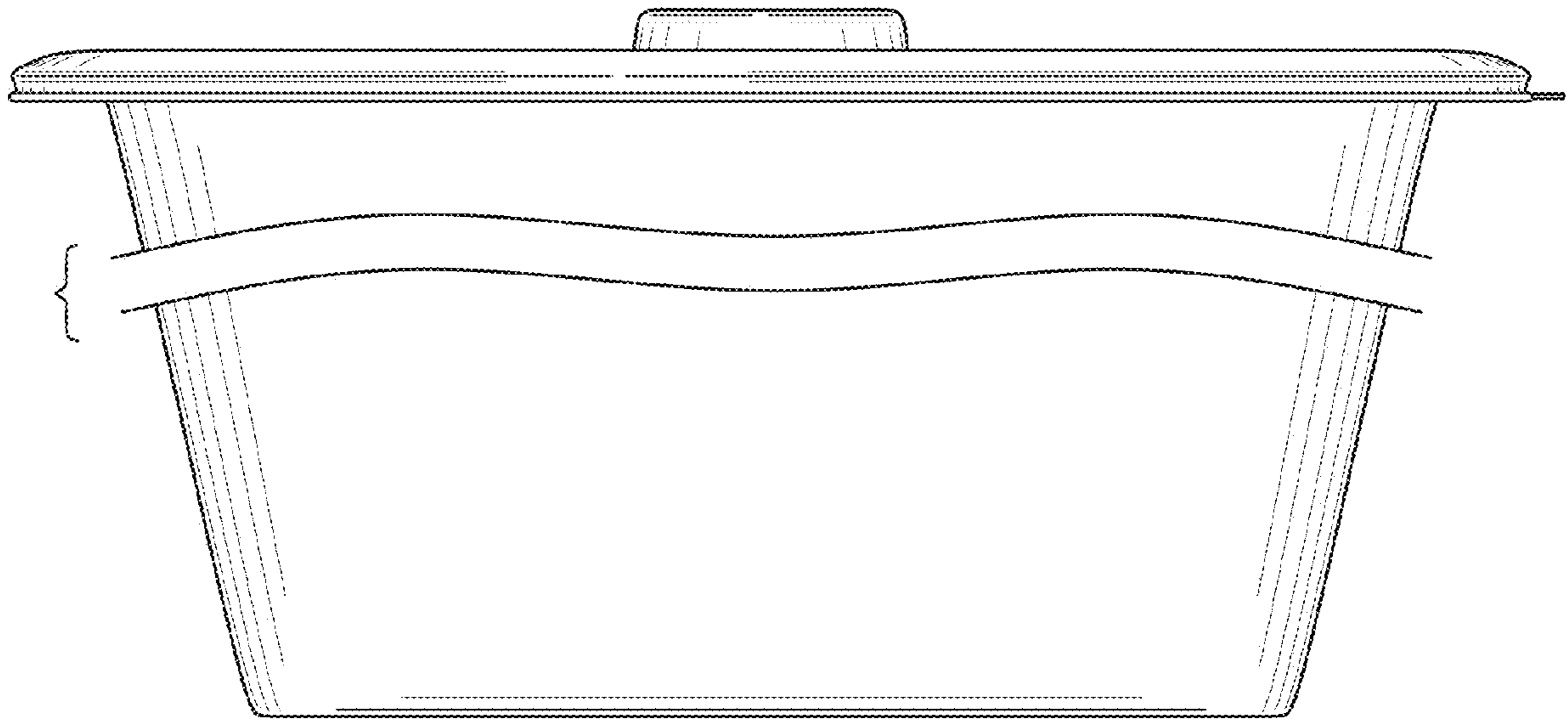


FIG. 5

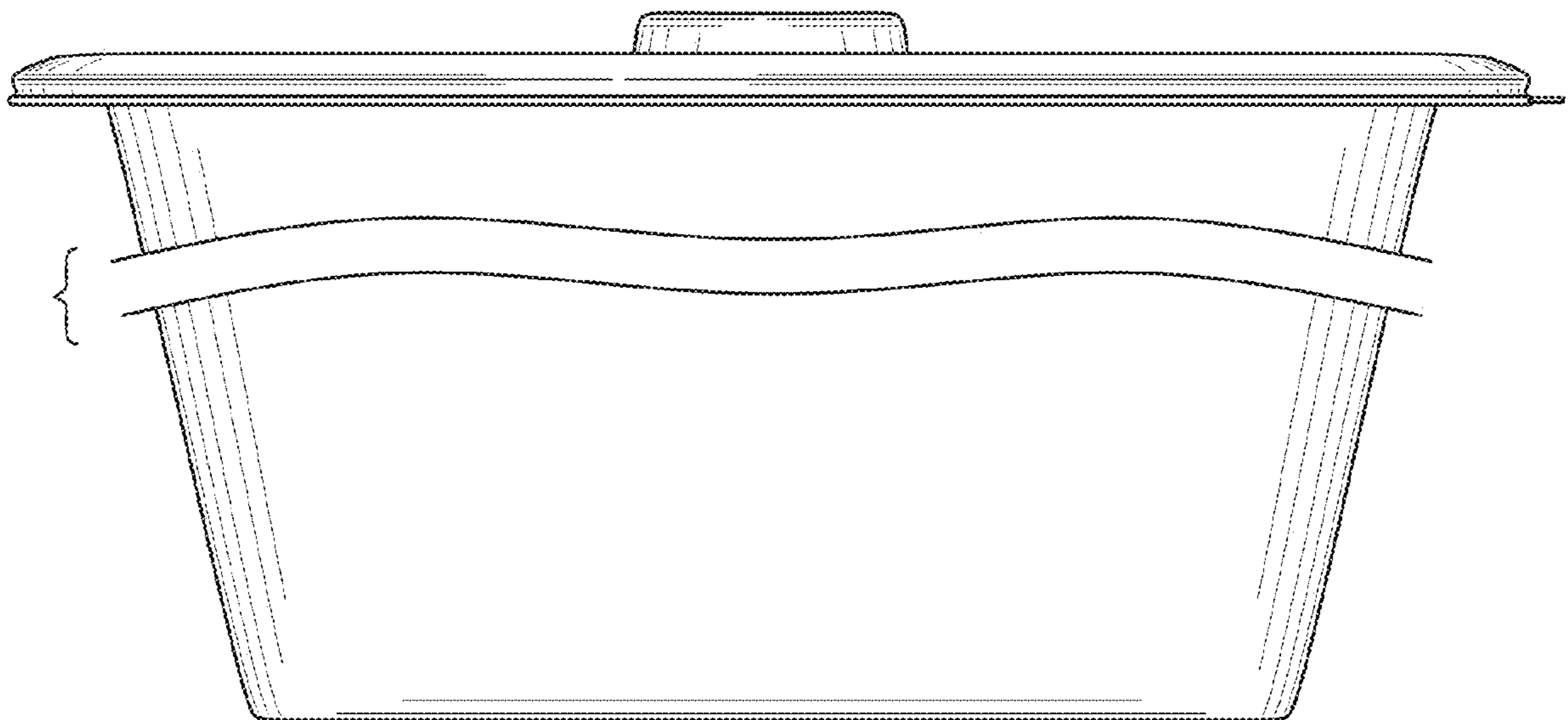


FIG. 6

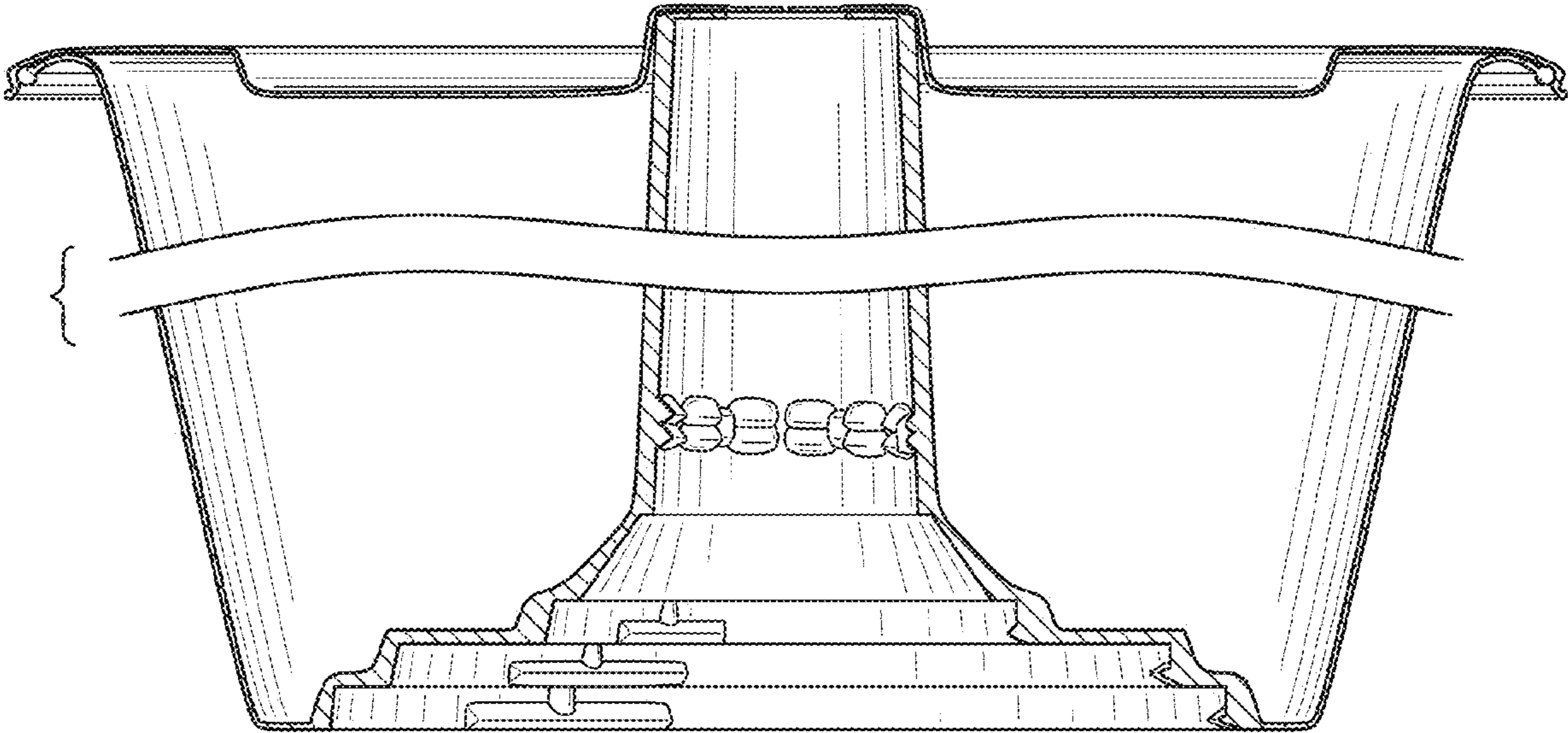


FIG. 7